

KD Utility Cart

Models BC340KD - KD Large Utility Cart
BC331KD - KD Small Service Cart

Project _____

Item No. _____

Model No. _____

Quantity _____

camguard
ANTIBACTERIAL

StaySafe
StoreSafe

Features & Benefits

- Sturdy, strong and durable, these carts are designed for back and front of house transport needs and applications.
- Use to store equipment and supplies, deliver room service or tear down a banquet room. Versatile solutions move easily from table set-up to bussing service, delivering prepared foods to food bars, coffee service, or transporting catering supplies off the delivery truck.
- Each cart includes two ergonomic handles embedded with Camguard Antimicrobial.
- Each BC340KD shelf holds one full size dish rack or 2 each standard size bus boxes.
- Load capacity - BC340KD: 400 lbs. (181 kg), BC331KD: 300 lbs. (136 kg).
- Three each polypropylene shelves are durable, stain resistant and easy to clean plus lightly textured to reduce sliding. Each shelf holds one full size dish rack or two standard size bus boxes.
- Raised marine rails around each shelf prevent items from slipping off.
- Generous 11 3/4" (30 cm) open spacing between shelves speeds up loading and unloading.
- Aluminum uprights between shelves ensure optimum sturdiness and stability and are rust-resistant.
- Four non-marking, powder coated steel, swivel casters without brake are durable and strong and offer quiet, easy transportation. BC340KD: 5" (12,7 cm), BC331KD: 4" (10 cm).
- Ships "knockdown" to minimize shipping costs.
- Easy to assemble. Directions included with each cart. Use a plastic mallet only.
- Available in two colors, Speckled Gray (480) and Black (110).
- Optional accessories include Single Shelf Panel Set, a removable 8 gallon (30,3 L) Trash Container and 2 1/2 gallon (9,5 L) Silverware Holder. Shelf panels must be added at time of assembly.



BC340KD



BC331KD



2.5 Gallon (9,5 L)
Silverware Holder



8 Gallon (30,3 L)
Trash Container



BC340KD Shown with
Optional Shelf Panel Sets



BC331KD Shown with One Handle,
Silverware Holder and Trash Container
(Plugs are used in place of other handle)

KD Utility Cart

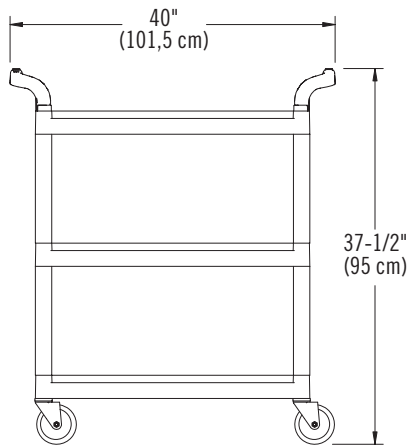
Models BC340KD - KD Large Utility Cart
BC331KD - KD Small Service Cart

Project _____

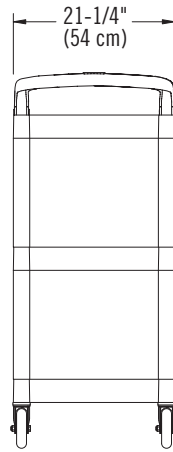
Item No. _____

Model No. _____

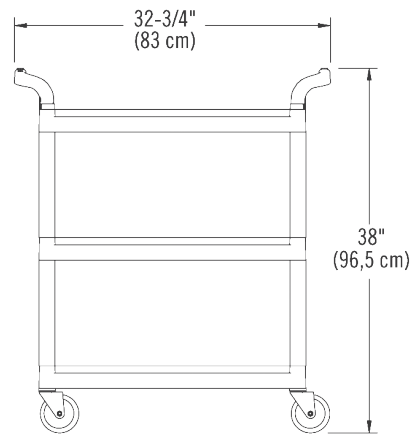
Quantity _____



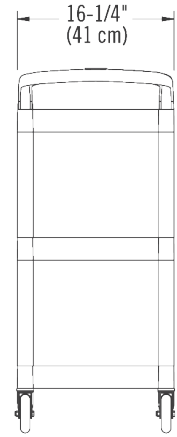
BC340KD Length



BC340KD Width



BC331KD Length



BC331KD Width

Specifications

Dimension Tolerance: +/- 1/4" (0,64 cm)

Code	Description	Load Capacity	Inside Shelf Dimensions L x W x H*	Exterior Dimensions L x W x H (with both handles)	Case lbs./cube kg/m ³
BC340KD	KD Utility Cart - Open Sides	400 lbs. (181 kg.)	31½" x 20½" x 11¼" (80 x 52 x 29,8 cm)	40" x 21¼" x 37½" (101,5 x 54 x 95 cm)	39 (6,72) 17,7 (0,19)
BC331KD	Service Cart - Open Sides	300 lbs. (136 kg.)	24¾" x 15¼" x 11¼" (62 x 40 x 30 cm)	32½" x 16¼" x 38" (83,5 x 41 x 96,5 cm)	25.30 (4,7) 11,48 (0,133)

*Height is between shelves.

Optional Accessories

- 8 Gal. (30,3 L) Trash Container BC331KDTC
- 2.5 Gal. (9,5 L) Silverware Holder BC331KDSSH
- Single Shelf Panel BC340KDP

Standard Cart and Shelf Panel Set Colors

- Speckled Gray (480)
- Black (110)

Trash Container and Silverware Holder Color

- Black (110)

Architect Specs

The KD Utility Carts shall be Cambro Model BC340KD and BC331KD. They shall be constructed of polypropylene shelves and anodized aluminum shelf supports. They shall have two each polypropylene ergonomic handles embedded with Camguard Antimicrobial. They shall be able to transport up to BC340KD: 400 lbs. (181 kg), BC331KD: 300 lbs. (136 kg). Each shelf shall have a slip-resistant, textured surface and raised edges on all four sides to prevent contents from sliding off. They shall have open sides with generous 11 3/4" (30 cm) spacing between shelves to speed up loading and unloading. They shall have four each BC340KD: 5" (12,7 cm), BC331KD: 4" (10 cm) powder coated steel, swivel casters, all without brake. They shall be available with an optional Single Shelf Panel Set in Speckled Gray (480) or Black (110), an 8 gallon (30,3 L) Trash Container and a 2 1/2 gallon (9,5 L) Silverware Holder, both available in Black (110) only. They shall require assembly and shall be available in 2 colors.