

Warewashing Small Glasswasher with Cold Rinse - 3 cycles, 30b/hr

ITEM # _____

MODEL # _____

NAME # _____

SIS # _____

AIA # _____


402133 (EGWSIC)

Glasswasher (small), double skin, cold rinse, 3 cycles, 30b/h

Short Form Specification

Item No. _____

Unit should be Glasswasher type for rack dimension of 400*400mm. 304 AISI stainless steel front panel, wash tank, tank filter, wash and rinse arms. Double skin door and cabinet. Upper and lower rotary washing arms and rinsing arms. Separate washing and rinsing circuits. Built-in 5 litre boiler, washing temperature 55/65°C and hot rinse temperature 80/90°C. Three washing cycles: 120/300/120 seconds. Rinse aid dispenser. Functions: cold rinse after the hot rinse cycle. Hourly capacity: 30 baskets. Supplied with: n. 1 basket for glasses (400x400mm).

Main Features

- Built-in pressure boiler designed to raise incoming water to a guaranteed minimum temperature of 82° C for sanitizing rinse. No external boiler is required.
- Washing system endowed with rotating washing arms from both top and bottom, high powered wash pump and large capacity wash tank guarantee professional washing.
- Maximum capacity of 30 racks per hour.
- New electronic control panel for easy setup of the working parameters and self diagnosis.
- Easy service access to main components without moving the unit.
- Low noise level.
- Rinse booster pump available to be installed on site.
- Extra program to cold rinse beer and wine glasses providing sanitized glasses, cool enough to handle.
- Solid double skinned counter-balance door with hurt-free handle fully in stainless steel.
- Incorporated Soft Start feature to offer additional protection to more delicate items.
- 120/300/120 seconds cycle, the third cycle includes cold rinse.

Construction

- Large tank filter collects the soil to keep the wash water clean for a longer time and have better washing performance.
- Unit to feature smooth surfaces to facilitate cleaning.
- Internal elements (arms and filter) easily extractable.
- Unit to feature rinse aid dispenser pump.
- Wash/rinse arms and nozzles in stainless steel.
- Completely closed on the back by a cover plate.
- Finished in top quality materials to ensure durability.
- 304 AISI stainless steel front panel, load bearing frame, wash tank, tank filter, wash and rinse arms.
- Double skin door construction preserves heat inside the tank to lower energy consumption and the noise. Counter-balance mechanism minimizes impact when opening and closing.
- Deep drawn pressed wash tank with fully rounded corners, sloped towards the drain to prevent dirt buildup, provides fast drainage in just a few minutes. With no welding points the pressed tank offers a guaranteed water tight solution.

Included Accessories

- 1 of Stainless steel tank filter PNC 864003
- 1 of Square basket for glasses PNC 864470
400x400x150mm

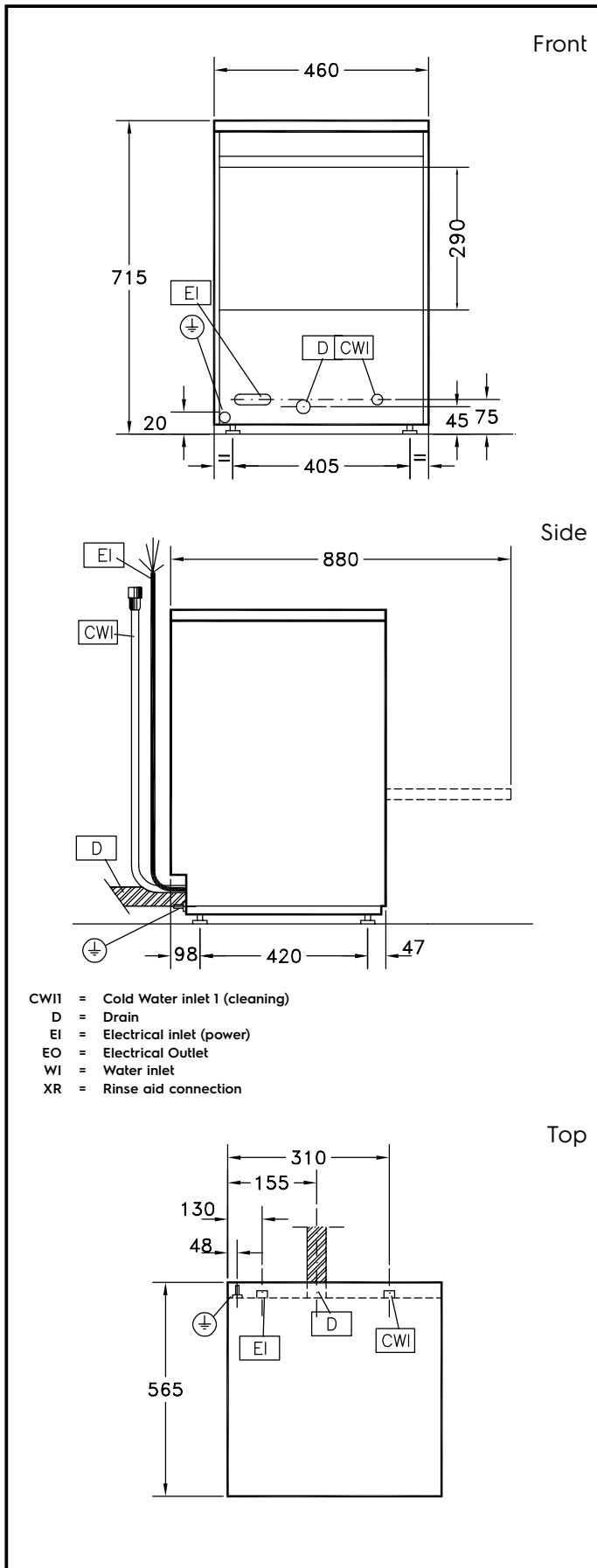
Optional Accessories

- 12lt external manual water softener PNC 860412
- 8lt external automatic water softener PNC 860413

APPROVAL: _____



- 20lt external manual water softener PNC 860430
- Filter for partial demineralization PNC 864017
- Kit to measure total and partial water hardness PNC 864050
- Rinse booster pump kit for single tank pressure dishwasher PNC 864051
- Yellow cutlery container PNC 864242
- Filter for total demineralization PNC 864367
- Pressure reducer for single tank dishwasher PNC 864461
- Drain pump kit for glasswasher electronic PNC 864465
- Kit detergent dispenser PNC 864469
- Kit 4 plastic boxes for cutlery - yellow PNC 865574
- Cover rack for small and light items (500x500 baskets) PNC 867016
- Basket for glasses (395x395x115) PNC 867033
- Insert for 12 saucers, 290X90x75mm PNC 867048
- Basket for 16 plates diam.190 mm, 8 plates diam. 240 mm PNC 867052
- Basket for glasses (h 100 mm) PNC 867053
- Basket for glasses (h 200 mm) PNC 867054
- Basket for glasses and saucers/cutlery inserts PNC 867055
- Basket for glasses with angled base PNC 867056
- Round basket kit with square frame PNC 867057
- Insert for "flute" glasses PNC 867058
- Insert for 14 saucers PNC 867060
- Inclined insert for cups PNC 867061
- Insert for 7 plates d. 240mm PNC 867062



Electric

Supply voltage:	
402133 (EGWSIC)	200-240 V/1 ph/50 Hz
Default Installed Power:	3.3 kW
Tank heating elements:	0.8 kW

Water:

Pressure, bar min/max:	1.8-3 bar
Water supply temperature*:	10-55 °C
Washing tank capacity (lt):	6
Boiler Capacity (lt):	5
Incoming water line size:	G 3/4"
Cold rinse cycle duration:	10 sec.
Cold rinse cycle water consumption:	1.8 lt/cycle
Hot rinse cycle duration (sec.):	16
Min hot rinse water consumption (lt/cycle)**:	2.3

Key Information:

Washing cycle temperature:	55-65 °C
Hot rinse cycle temperature:	80-90 °C
Working cycles time (sec.):	120/300/120
N° of working cycles:	3 (120/300/120)
Cell dimensions - width:	400 mm
Cell dimensions - depth:	400 mm
Cell dimensions - height:	290 mm
External dimensions, Width:	460 mm
External dimensions, Depth:	565 mm
External dimensions, Height:	715 mm
Net weight:	37 kg
Shipping weight:	42 kg
Shipping height:	860 mm
Shipping width:	640 mm
Shipping depth:	520 mm
Shipping volume:	0.29 m ³
Noise level:	69 dBA

The claimed noise level is measured according to EN 60335-2-58 (Annex ZAA) / ISO 11204.

Basket capacity: 30/h

The claimed capacity is measured when the unit is connected to hot inlet water of 55°C; if the inlet water is cold, the cycle time could be longer.

Cold rinse cycle temperature: 10 °C