



T&S BRASS AND BRONZE WORKS, INC.

2 Saddleback Cove / P.O. Box 1088
Travelers Rest, SC 29690

Model No.

EU-6DP12

Item No.

Travelers Rest, SC: 800-476-4103 • Simi Valley, CA: 800-423-0150 • Fax: 864-834-3518 • www.tsbrass.com

This Space for Architect/Engineer Approval

Job Name _____ Date _____

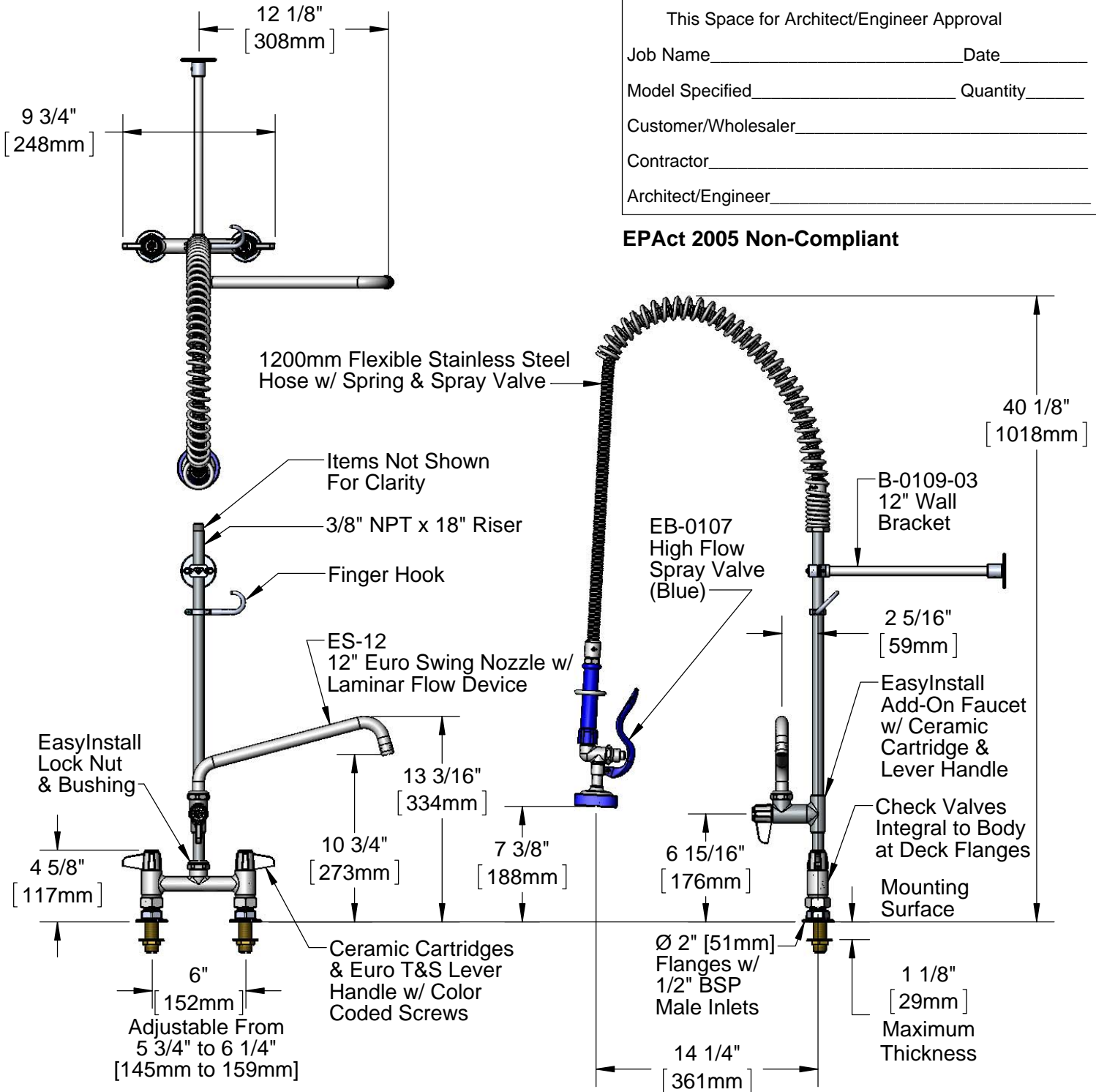
Model Specified _____ Quantity _____

Customer/Wholesaler _____

Contractor _____

Architect/Engineer _____

EPAct 2005 Non-Compliant



Rough-In Requirement:
(2) Ø 1" [25mm] Mounting Holes

Product Specifications:

Pre-Rinse Unit: 6" Deck Mount Mixing Faucet, Ceramic Cartridges, Euro Lever Handles, Add-On Faucet w/ 12" Euro Swing Nozzle, 1200mm Flexible Stainless Steel Hose, High Flow Spray Valve (Blue), 12" Wall Bracket, Internal Check Valves & 1/2" BSP Male Inlets

Drawn	Checked	Approved
DHL	JRM	JHB
Scale:		Date:
1:9		07/01/13

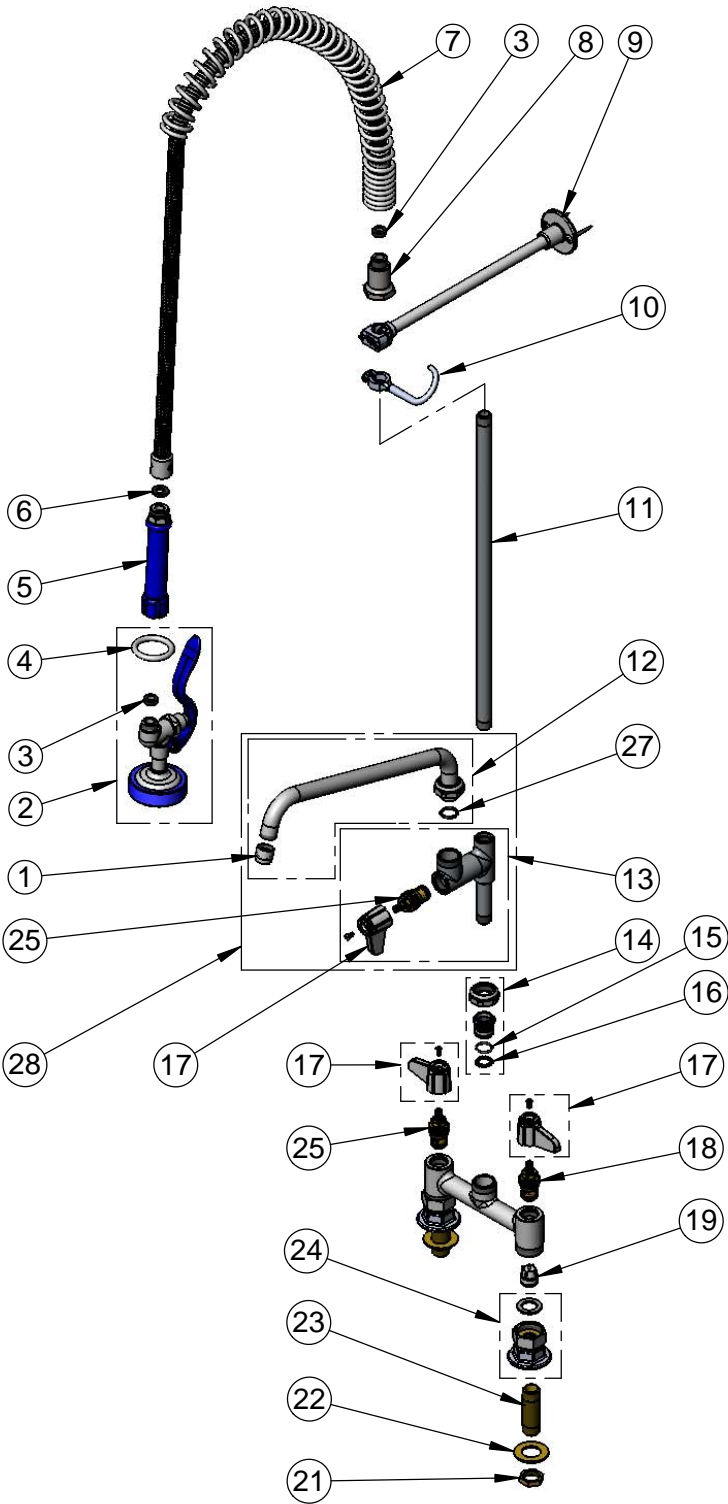


T&S BRASS AND BRONZE WORKS, INC.
 2 Saddleback Cove / P.O. Box 1088
 Travelers Rest, SC 29690

Model No.
EU-6DP12

Item No.

Travelers Rest, SC: 800-476-4103 • Simi Valley, CA: 800-423-0150 • Fax: 864-834-3518 • www.tsbrass.com



ITEM NO.	SALES NO.	DESCRIPTION
1	014250-45	Laminar Flow Device, 3/4-27 UN Female
2	EB-0107	High Flow Spray Valve (Blue)
3	010476-45	#27 Washer
4	000907-45	Spray Valve Hold Down Ring
5	011482-40	Grip Handle (Blue)
6	001014-45	Washer, B-0100 Hose Barrel
7	000888-45	EasyInstall Overhead Spring
8	000821-40	Spring Body
9	B-0109-03	12" Wall Bracket
10	004R	Finger Hook
11	000369-40	3/8" NPT x 18" Riser
12	ES-12	12" Euro Swing Nozzle
13	EU-AF00	Euro Add-On Faucet
14	EU-EZ-K	Euro EasyInstall Kit
15	001062-45	O-Ring
16	014200-45	Star Washer, Anti-Rotation
17	E-HDL-L	Euro Lever Handle w/ (2) Color Coded Screws
18	013788-45	Ceramic Cartridge, LTC (Blue)
19	013840-45	20mm Check Valve (2)
20		Item Removed
21	002954-45	Shank Lock Nut
22	000999-45	Brass Lock Washer
23	002814-45	Shank
24	006848-40	1/2" BSPT Female Eccentric Flange
25	013787-45	Ceramic Cartridge, RTC (Red)
26		Item Removed
27	013848-45	O-Ring
28	EU-AF12	Add-On Faucet w/ Ceramic Cartridge, 12" Euro Swing Nozzle & Euro Lever Handle

Product Specifications:

Pre-Rinse Unit: 6" Deck Mount Mixing Faucet, Ceramic Cartridges, Euro Lever Handles, Add-On Faucet w/ 12" Euro Swing Nozzle, 1200mm Flexible Stainless Steel Hose, High Flow Spray Valve (Blue), 12" Wall Bracket, Internal Check Valves & 1/2" BSP Male Inlets

Drawn DHL	Checked JRM	Approved JHB
Scale: NTS		Date: 07/01/13