

## ecostore

# 2 Door Digital Refrigerator, 1430lt (-2 +10)

ITEM # \_\_\_\_\_

MODEL # \_\_\_\_\_

NAME # \_\_\_\_\_

SIS # \_\_\_\_\_

AIA # \_\_\_\_\_



- |                            |  |
|----------------------------|--|
| <b>727282 (REX142FR)</b>   | 2-door Refrigerator<br>1430lt, -2+10°C, digital, AISI 304        |
| <b>727424 (REX142FR60)</b> | 2-door Refrigerator<br>1430lt, -2+10°C, digital, AISI 304 (60Hz) |

### Short Form Specification

**Item No.** \_\_\_\_\_

Two full doors refrigerator with internal and external structure in 304 AISI stainless steel; external back panel in galvanized steel and bottom panel in anti-corrosive material. Digital control with cabinet temperature display and setting and manual activation of defrost cycle. Fully compliant HACCP digital controls include visible alarms. Optimized back to front forced air flow provides even temperature distribution and fast cooling in any conditions. Fitted with 75 mm-thick cyclopentane insulating foam. Door features lock and door microswitch to switch off the fan when the door is opened. Hidden evaporator to guarantee higher storage capacity and less corrosion problems. Built-in refrigeration unit; ventilated operation; automatic defrost and evaporation of defrost water. For ambient temperatures up to 43 °C. CFC and HCFC free. R134a gas in refrigeration circuit. Supplied with n. 6x2/1GN Riisan coated grids and n. 6 sets of 2 stainless steel grid runners.

### Main Features

- Two full doors.
- Digital control with cabinet temperature display and setting and manual activation of defrost cycle. Fully compliant HACCP digital controls include visible alarms.
- Large storage area suitable to contain 2/1 GN grids or shelves on anti-tilt runners.
- Optimized back to front forced air flow provide even temperature distribution and fast cooling in any conditions.
- Automatic defrost.
- Internal structure with numerous charging positions available to host grids, ensuring higher net capacity and a greater storage space.
- Operating temperature can be adjusted from -2 to +10 °C to suit different food storage requirements.
- Cabinet fitted with up to 75 mm thickness of cyclopentane insulation for best insulating performance with 100% environmental protection (thermal conductivity: 0,020 W/m\*K).
- Removable triple-chamber balloon magnetic gasket to improve insulation and reduce energy consumption and ease of cleaning.
- Cleaning-free condenser: the structure of the wire frame condenser prevents dust and grease accumulation thus avoiding periodical cleaning operations and reducing energy consumption.
- Automatic evaporation of the defrosting water by hot gas on the top for energy saving.
- 60 mm-thick insulation covering the evaporator can be easily removed with a single operation.
- Riisan coated grids for improved protection.
- Hidden evaporator thus guaranteeing higher storage capacity and less corrosion problems.
- Tropicalized unit (43°C ambient temperature). (only for 727282)
- Connectivity ready for real time access to connected appliances from remote and data monitoring (requires optional accessory).
- This appliance is intended for use in ambient temperatures up to 40°C. (only for 727282)
- Easy serviceability thanks to the intuitive control panel with remote access via app. (only for 727424)
- Integrated RS485 port to facilitate connection to a remote computer and integrated HACCP systems. (only for 727424)

### Construction

- Constructed from the highest quality AISI 304 Stainless steel.
- Interior base with rounded corners, pressed from a single sheet.
- Stainless steel runners and supports easily disassembled.
- Anti-corrosion bottom avoids any damage that may be caused to the cabinet by aggressive detergents employed to clean the floors.
- Easy access to the main components for maintenance.

**APPROVAL:** \_\_\_\_\_

- Lockable door.
- Door switch stops the fan when door is opened to avoid cold air exiting the cell, thus saving energy.
- Refrigerant type: R134a.
- CFC and HCFC-free insulation.
- Doors are self-closing and can be fully opened up to 180°.
- Mounted on adjustable Stainless steel feet, with castors as an option.
- The rounded internal corners, the easily removable runners and grids allow for ease of cleaning and high hygiene standards.

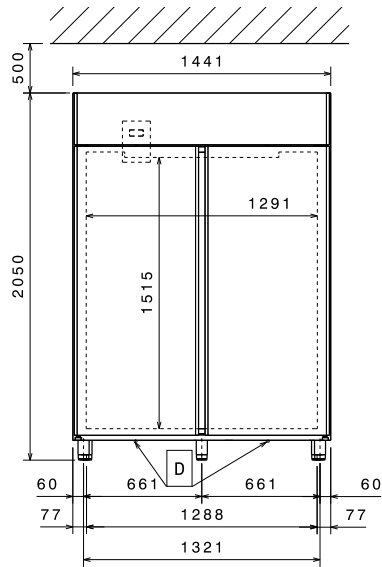
### Included Accessories

- 6 of 2/1GN grey rilsan grid with 2 runners PNC 881020

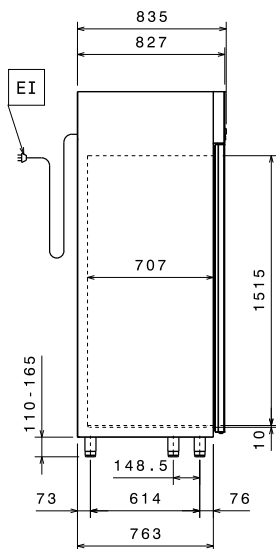
### Optional Accessories

- 2 stainless steel runners for refrigerated cabinets - (Marine) PNC 880242
- Set of 8 GN1/1 PVC containers for fish (only for 727282) PNC 880243
- Spacer for 670 lt and 1430 lt refrigerated cabinets PNC 880248
- Ethernet connector for IR33 (CAREL) Refrigerated Cabinets and Counters PNC 880252
- Kit 20 pair runners and trays to fit pastry trays (400x600mm) PNC 880333
- Kit of 6 swivelling wheels, 2 with brake, diam 50 mm PNC 880340
- 1/1GN plastic container with false bottom PNC 880705
- 2/1GN grey rilsan grid PNC 881004
- 2/1GN aisi 304 stainless steel grid PNC 881016
- 2/1GN 304 AISI stainless steel grid with 2 runners PNC 881018
- Meat rail for 670/1430lt refrigerators with 4 hooks PNC 881019
- 2/1GN grey rilsan grid with 2 runners PNC 881020
- Set of 2 stainless steel runners for 670/1430lt refrigerators and freezers PNC 881021
- Pedal opening for 1430lt refrigerator PNC 881033
- 2/1GN pvc container with lid and 2 runners PNC 881039
- 2/1GN perforated shelf PNC 881042
- 1/1GN rilsan steel wire basket h=150mm PNC 881043
- 3 grey rilsan central grids for 1430lt (not for glass door) PNC 881044
- 2/1GN grey rilsan basket+2 runners h=150mm PNC 881047
- 5 swivelling wheels (2 with brake), diam 125mm, for 1430 lt refrigerators, NOT for remote models PNC 881294

Front

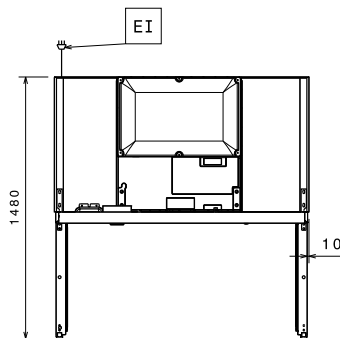


Side



EI = Electrical inlet (power)

Top


**Electric**
**Supply voltage:**

727282 (REX142FR)	220-240 V/1 ph/50 Hz
727424 (REX142FR60)	220-230 V/1 ph/60 Hz

**Electrical power max.:**

0.33 kW

**Key Information:**

<b>Gross capacity:</b>	1430 lt
<b>Net Volume:</b>	
727282 (REX142FR)	1005 lt
727424 (REX142FR60)	1025 lt
<b>Door hinges:</b>	1 Left+1 Right
<b>External dimensions, Width:</b>	1441 mm
<b>External dimensions, Depth:</b>	835 mm
<b>External dimensions, Depth with Doors Open:</b>	1430 mm
<b>External dimensions, Height:</b>	2050 mm
<b>Number and type of doors:</b>	2 Full
<b>Number and type of grids (included):</b>	6 - GN 2/1
<b>Type of external material:</b>	304 AISI
<b>Type of internal material:</b>	304 AISI
<b>Internal panels material:</b>	304 AISI
<b>Number of positions &amp; pitch:</b>	
727282 (REX142FR)	44; 30 mm
727424 (REX142FR60)	44; 33 mm

**Refrigeration Data**

<b>Control type:</b>	Digital
<b>Refrigerant type:</b>	R134a
<b>GWP Index:</b>	1430
<b>Refrigeration power:</b>	
727282 (REX142FR)	398 W
727424 (REX142FR60)	417 W
<b>Refrigeration power at evaporation temperature:</b>	-10 °C
<b>Refrigerant weight:</b>	170 g
<b>Operating temperature min.:</b>	-2 °C
<b>Operating temperature max.:</b>	10 °C
<b>Operating mode:</b>	Ventilated

**Product Information (EU Regulation 2015/1094)**
**Energy Class:**

727282 (REX142FR)	D
-------------------	---

**Yearly and daily energy consumption:**

727282 (REX142FR)	1643kWh/year - 5kWh/24h
-------------------	-------------------------

**Climate class:**

727282 (REX142FR)	Heavy Duty (5)
-------------------	----------------

**Energy Efficiency Index (EEI):**

727282 (REX142FR)	72,69
-------------------	-------

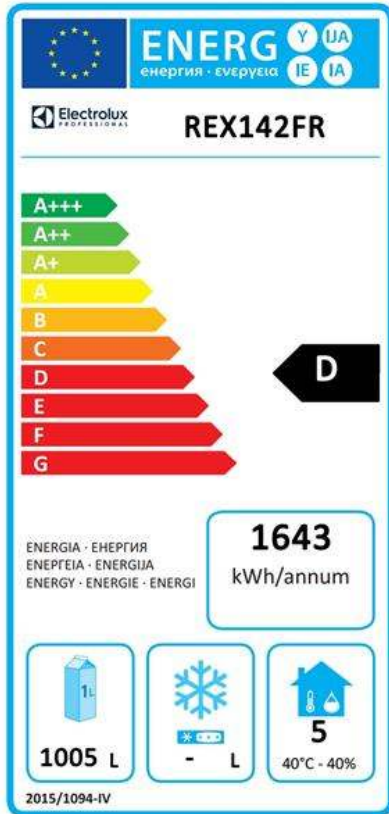
**Type of model:**

727282 (REX142FR)	vertical chilled
-------------------	------------------



**Electrolux**  
PROFESSIONAL

**ecostore**  
**2 Door Digital Refrigerator, 1430lt**  
**(-2 +10)**



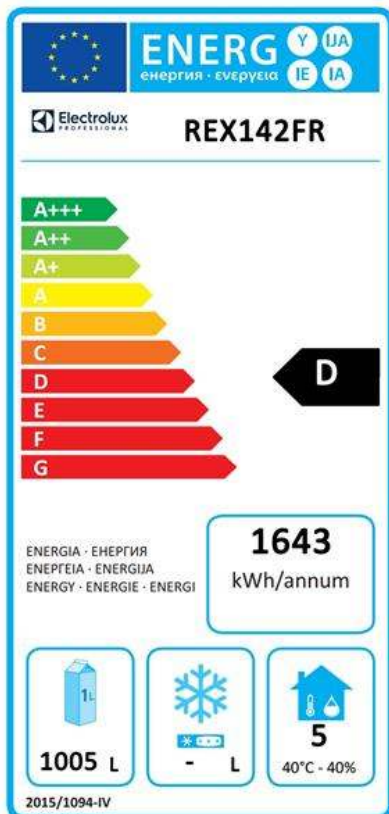
**EU energy labelling from 1st July 2016**

The European energy labelling scheme for professional refrigerators and freezers is based on requirements setting Minimum Energy Performance standards for commercial refrigeration cabinets sold within the EU.

These requirements are designed to drive energy efficiency and environmentally friendly approach for professionals. The European energy labelling scheme will apply to all manufacturers and importers who sell and market products within the EU and it is mandatory across Europe. Important: all products which consume energy above the minimum level will not be able to be sold within the EU from 1 July 2016.

SI 2020 No. 1528.

Important: all products which consume energy above the minimum level will not be able to be sold within the EU from 1 July 2016.



**ecostore**  
**2 Door Digital Refrigerator, 1430lt (-2 +10)**

The company reserves the right to make modifications to the products without prior notice. All information correct at time of printing.

2022.12.24