

Even easier to use:

Gastronorm shelves:

The new shelf dimensions, 800 x 530 mm allow GN containers to be placed perfectly flat, making for optimum use of the surface.

Shelf with rim:

The raised edges around all 4 sides help prevent items placed on the trolley from falling off. The shelves also have a flattened fold underneath that avoids any risk of cuts, and a sound deadening pad.



Sturdy construction:

- The trolleys are made of stainless steel, ensuring they are sturdy and have good corrosion resistance so they are very durable. Loads up to 150kg.
- The trays are welded on an automatic advance welding bench. The lines of welding run the whole height of the shelf without any added metal. The method of construction ensures the welds are perfectly regular and exceptionally strong.
- The trolleys are equipped with 4 swivel wheels with polyamide cover including 2 brackets, with annular bumpers. Non marking rubber tyres. Two wheels have brakes to immobilise the trolley. The wheel treads and protective bumpers are made of non-marking materials.



- Press-drawn trays with peripheral surround of 10 mm.
- Tray width of 530 mm for efficient holding of a GN container and optimum safety of use.



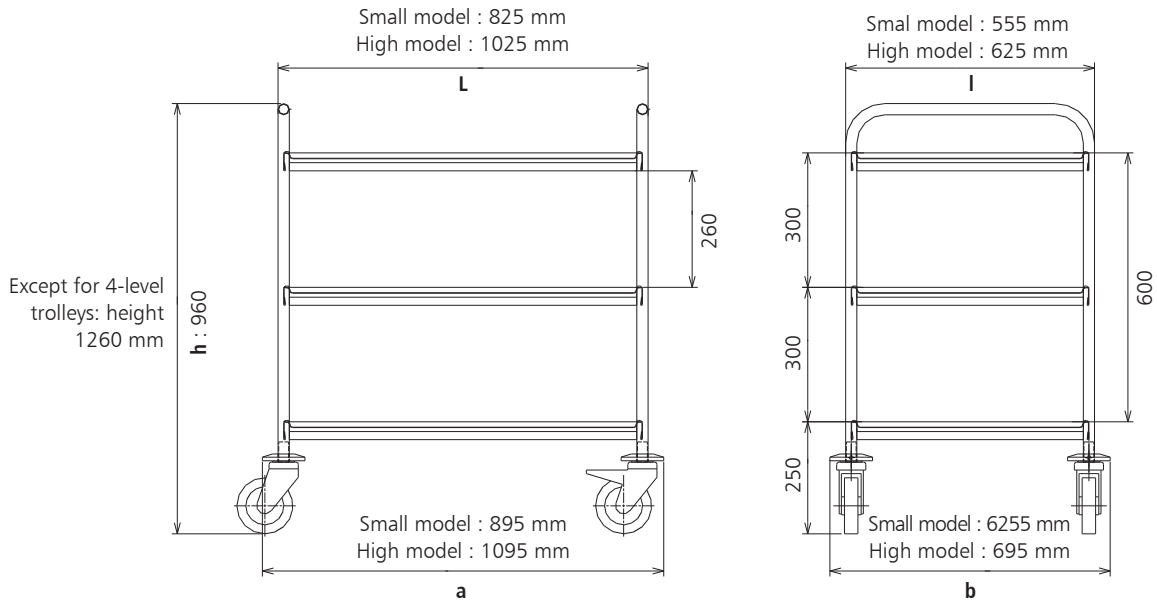
Arched handle:

The handle is inset in order to prevent damage to walls and doors: it cannot make any marks. The trolleys come with two arched handles as standard (very easy to grip) or a single handle so that items exceeding the shelf dimensions can be loaded.



Accessories that can be hooked onto all the trolley models:

- Cutlery container
- Scrap bin
- Waste-bag holder



Construction:

- Welded stainless steel.
- Trolleys with rail: stainless steel wire rail at a height of 50 mm around all 4 sides

Trays:

- Press-drawn, thickness 10/10ths mm, with 40 mm high rim.
- With flattened edges on the underside
- Fitted with a sound deadening pad (glued rubber)

Arched handles:

Tube Ø 25 mm

Wheels:

- 4 swivel wheels Ø 125 mm
- Polyamide cover including 2 braked, with annular bumpers.
- Non-marking rubber tyre.

References	Descriptions	L (mm)	l (mm)	h (mm)	a (mm)	b (mm)
Clearing trolleys with 2 arched handles						
801 542	2 levels 800 x 530 mm	895	625	960	895	625
801 543	3 levels 800 x 530 mm	895	625	960	895	625
801 552	2 levels 1000 x 600 mm	1095	695	960	1095	695
801 553	3 levels 1000 x 600 mm	1095	695	960	1095	695
Clearing trolleys with 1 arched handle						
801 602	2 levels 800 x 530 mm	895	625	960	895	625
801 603	3 levels 800 x 530 mm	895	625	960	895	625
801 612	2 levels 1000 x 600 mm	1095	695	960	1095	695
801 613	3 levels 1000 x 600 mm	1095	695	960	1095	695
Clearing trolleys with 2 arched handles and gallery						
801 546	2 levels 800 x 530 mm	895	625	960	895	625
801 547	3 levels 800 x 530 mm	895	625	960	895	625
801 556	2 levels 1000 x 600 mm	1095	695	960	1095	695
801 557	3 levels 1000 x 600 mm	1095	695	960	1095	695
Clearing trolleys flat-packed delivery						
801 572	2 levels 800 x 530 mm	895	625	960	895	625
801 573	3 levels 800 x 530 mm	895	625	960	895	625
801 582	2 levels 1000 x 600 mm	1095	695	960	1095	695
801 583	3 levels 1000 x 600 mm	1095	695	960	1095	695