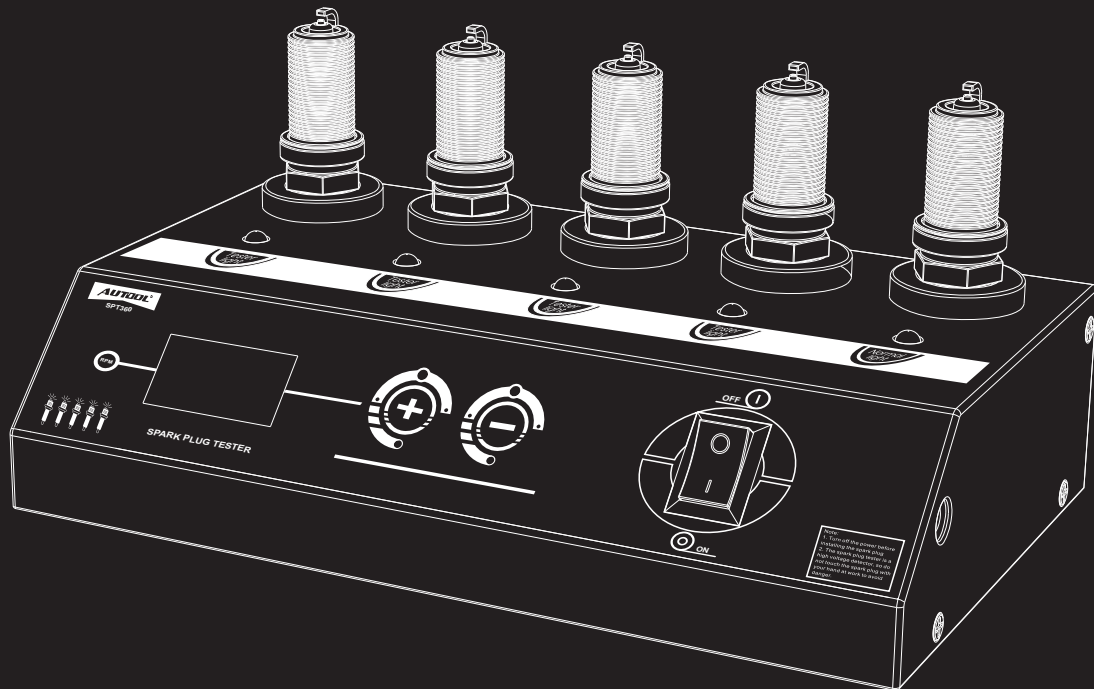


AUTOOL SPT360 Spark Plug Tester

User Manual



Copyright Information

All rights reserved by AUTOOL TECH. CO., LTD. No part of this publication may be reproduced, stored in a retrieval system, or transmitted in any form or by any means, electronic, mechanical, photocopying, recording or otherwise, without the prior written permission of AUTOOL. The information contained herein is designed only for the use of this unit. AUTOOL is not responsible for any use of this information as applied to other units.

Neither AUTOOL nor its affiliates shall be liable to the purchaser of this unit or third parties for damages, losses, costs, or expenses incurred by purchaser or third parties as a result of: accident, misuse, or abuse of this unit, or unauthorized modifications, repairs, or alterations to this unit, or failure to strictly comply with AUTOOL operating and maintenance instructions.

Other product names used herein are for identification purposes only and may be trademarks of their respective owners. AUTOOL disclaims any and all rights in those marks.

This unit is made for the purpose of persons who have special techniques and certifications.

Manual are either trademarks, registered trademarks, service marks, domain names, logos, company names of or are otherwise the property of AUTOOL or its affiliates. In countries where any of the AUTOOL trademarks, service marks, domain names, logos and company names are not registered, AUTOOL claims other rights associated with unregistered trademarks, service marks, domain names, logos, and company names. Other products or company names referred to in this manual may be trademarks of their respective owners. You may not use any trademark, service mark, domain name, logo, or company name of AUTOOL or any third party without permission from the owner of the applicable trademark, service mark, domain name, logo, or company name. You may contact AUTOOL by visiting AUTOOL at <https://www.autooltech.com>, or writing to aftersale@autooltech.com, to request written permission to use Materials on this manual for purposes or for all other questions relating to this manual.

Trademark

AUTOOL is a registered trademark of AUTOOL TECH. CO., LTD. (AUTOOL for short) in China and other countries. All other AUTOOL trademarks, service marks, domain names, logos, and company names referred to in this manual are either trademarks, registered trademarks, service marks, domain names, logos, company names of or are otherwise the property of AUTOOL or its affiliates. In countries where any of the AUTOOL trademarks, service marks, domain names, logos and company names are not registered, AUTOOL claims other rights associated with unregistered trademarks, service marks, domain names, logos, and company names. Other products or company names referred to in this manual may be trademarks of their respective owners. You may not use any trademark, service mark, domain name, logo, or company name of AUTOOL or any third party without permission from the owner of the applicable trademark, service mark, domain name, logo, or company name. You may contact AUTOOL by visiting AUTOOL at <https://www.autooltech.com>, or writing to aftersale@autooltech.com, to request written permission to use Materials on this manual for purposes or for all other questions relating to this manual.

Safety Warning

- Do not pull out or insert the spark plug with the power supply connected. If you want to insert or pull it out, please turn off the power first.
- When the spark plug is running, the voltage can reach tens of thousands of volts, so don't touch it directly with your bare hands to avoid injury.

Introduction

This is a digital high frequency tester for testing the performance and strength of spark plugs, with a frequency up to 9000 rpm. It is compatible with all crankshaft engine and motorcycle spark plug testing among the market. This product can also be compared to five holes at the same time, simulating real speed and digital control, which greatly improve the test accuracy and work efficiency.

Features

- Operating frequency up to 9000 rpm, the higher the frequency, the stronger intensity of the spark plug.
- Three-year warranty and lifetime maintenance.
- Digital screen display for more precise control.
- Simultaneous comparison of five holes to improve efficiency.
- Simulate real rpm with high accuracy.
- Simple operation, plug and play.

Specifications

Input power: AC 220V±10% 50Hz/60Hz

Output power: DC12V±2 1A

Analog speed: 0~9999 rpm

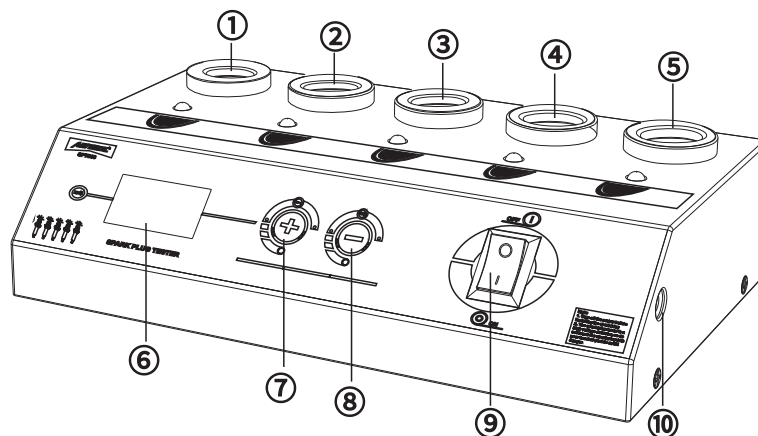
Ambient temperature: 0°C~+45°C

Relative humidity: <85%

Host size: 200mm×150mm×100mm

Weight: 1100g

Introduction



1-Standard test hole; 2-3-4-5-test hole; 6-Display screen;
7-RPM "+"; 8-RPM "-"; 9-Power switch; 10-Power port.

Operation introduction

- Insert the new spark plug into the hole ①, and insert the old spark plug into the hole ②③④⑤.
- Plug the power adapter into the rear of the host ⑩ power port and the indicator light will go on.
- Turn on the power switch and press the up and down buttons to adjust the operating frequency. The higher the frequency, the stronger intensity of the spark plug.

Warranty

There are 3 years warranty of the main unit from the date of the customer received the AUTOOL product and 1 year warranty for accessories.

Warranty Access

- Repair or replace the equipment will be done according to the specific fault conditions;
- We guarantee that all replacement parts, accessories or equipment are brand new;
- Within 90 days after the customer receives the product, if the product has faulty, the buyer can provide videos and pictures, we will bear the shipping costs and provide free replacement parts for the customer.

Warranty is not Covered on the Condition Listed Below

- Product is bought through non-official AUTOOL purchase channel.
- Product failure is caused by incorrect use of the product, use for other wrong purpose or human factors.

Disclaimer: All information, illustrations, and specifications contained in this manual, AUTOOL reserves the right of modify this manual and the machine itself with no prior notice. The physical appearance and color may differ from what is shown in the manual, please refer to the actual product. Every effort has been made to make all descriptions in the book accurate, but inevitably there are still inaccuracies, if in doubt, please contact your dealer or AUTOOL after-service center, we are not responsible for any consequences arising from misunderstandings.

版权所有！未征得深圳市偶然科技有限公司（下称“偶然公司”）的书面同意，任何公司或个人不得以任何形式（电子、机械、影印、录制或其他形式）对本说明书进行复制和备份。本手册专为偶然产品的使用而设计，对于将之用于指导其它设备操作而导致的各种后果，本公司不承担任何责任。

因使用者个人或第三方的意外事故，滥用、误用该设备，擅自更改、修理该设备，或未按偶然公司的操作与保养要求而导致设备损坏、遗失所产生的费用及开支等，偶然公司及其分支机构不承担任何责任。

正式声明：本说明书所提及之其他产品名称，目的在于说明该设备如何使用，其注册商标所有权仍属原公司。

本设备供专业人员或维修人员使用。

注册商标

偶然公司已在中国及海外若干国家进行了商标注册，其标志为**AUTOOL**。本手册所提及之偶然公司其它商标、服务标志、域名、图标、公司名称均属偶然及其下属公司之产权。在偶然公司之商标、服务标志、域名、图标、公司名称还未注册之国家，偶然公司声明其对未注册商标、服务标志、域名、图标、公司名称之所有权。本手册所提及之其它产品及公司名称的商标仍属于原注册公司所有。在未得到拥有人的书面同意之前，任何人不得使用偶然公司或所提及的其它公司之商标，服务标志，域名，图标，公司名称。您如有任何疑问，可以访问偶然网址：www.autooltech.com，或发送邮件至：aftersale@autooltech.com与偶然公司进行联系,征得其手册使用权之书面同意。

注意事项

- 不要带电拔插火花塞，若要插入或取下，必须先关闭电源；
- 火花塞工作时，电压达到上万伏，不要用手触摸，以免对身体造成伤害；

产品介绍

本产品是一款测试火花塞性能和强度的数显高频测试仪，频率最高可达9000转可兼容市面上所有曲轴发动机和摩托车的火花塞测试。此产品还可以五孔同时对比，模拟真实转速，数显调控，提高了测试准确性和维修人员的工作效率。

主要功能

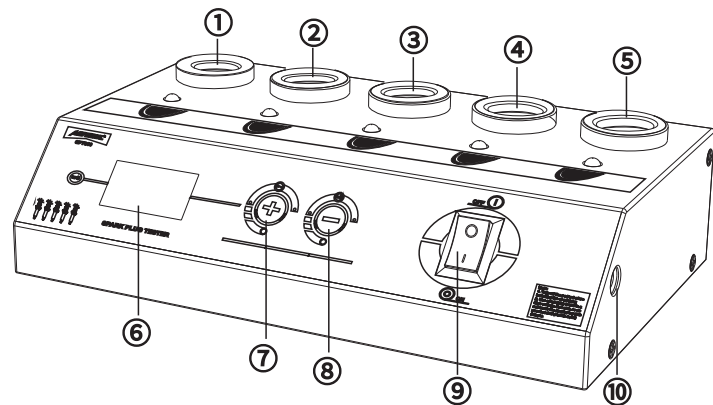
- 工作频率最高可达9000转/分，频率越高，火花塞强度越高；
- 质保三年，终身维护；
- 数显屏幕显示，调控更精准；
- 五孔同时对比，提高工作效率；
- 模拟真实转速，准确性高；
- 操作简单，即插即用；

产品参数

- 输入电源: AC 220V \pm 10% 50Hz/60Hz;
- 输出电源: DC12V \pm 2 1A;
- 模拟转数: 0~9999转/分;
- 环境温度: 0 $^{\circ}$ C~+45 $^{\circ}$ C;
- 相对湿度: <85%;
- 主机尺寸: 200mm \times 150mm \times 100mm;
- 重量: 1100g;

整机结构

1-标准测试孔;2-3-4-5-测试孔;6-显示屏;
7-转数"+";8-转数"-";9-电源开关;
10-电源接口;



操作说明

- 将新的火花塞插入①孔，将旧的火花塞插入②③④⑤孔。
- 将电源适配器插入主机后面的⑩电源接口，指示灯点亮。
- 打开电源开关，按上下按钮进行工作频率调节，频率越高，火花塞强度越高。

售后保修

AUTOOL 整机自客户签收日起享有3年保修期，附件1年保修期。

保修方式：

- 根据具体的故障情况对设备进行修理或更换；
- 我方保证所有更换的部件、附件或设备都是全新；
- 在客户收到产品90天内出现故障同时提供视频和图片，我方承担运费并免费提供相应配件给客户更换。收到产品超过90天，客户承担相应的费用，我方免费提供配件给客户更换。

以下情况不在免费保修范围：

- 非正规渠道购买**AUTOOL**的产品；
- 未按产品说明书要求使用和维护造成的损坏。

声明：偶然公司保留更改产品设计与规格的权利，届时恕不另行通知。实物外观与颜色可能与说明书中显示的有差别，请以实物为准。我们已尽最大努力力求使书中所有描述准确，但仍难免有不妥之处，如有疑问，请联系经销商或偶然售后服务中心，本公司不承担任何因误解而产生的后果。

AUTOOL[®]

深圳市偶然科技有限公司

深圳市光明新区长春南路中鹏程工业园

 Shenhua Innovation Park, Baoan, Shenzhen, China

 www.autooltech.com

 aftersale@autooltech.com

 +86-400 032 0988 / +86-755-27807580

   **RoHS**
Made in China

