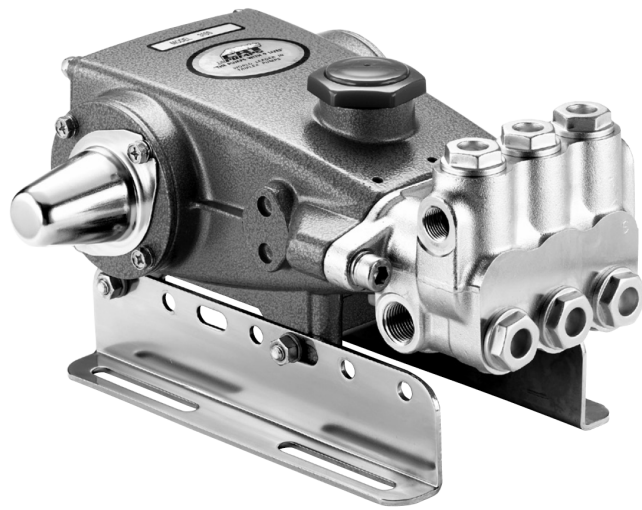




# PIJTTERSEN

E-mail : [info@pijttersen.nl](mailto:info@pijttersen.nl) / [info@catpumps.nl](mailto:info@catpumps.nl)  
Internet: [www.pijttersen.nl](http://www.pijttersen.nl) / [www.catpumps.nl](http://www.catpumps.nl)



## PLUNGERPUMP MODEL

Head  
Brass Model  
(chrome-plated)

# 300

### Specifications

	300	Brass
Discharge Pressure	150	bar
Flow	10	l/min
RPM	1420	min <sup>-1</sup>
Stroke	8	mm
Bore	20	mm
Power input	3,6	kW
Crankcase capacity	0,55	l
Liquid temperature *	71	°C max.
Inlet Pressure max.	4	bar
Inlet Ports (2)	1/2"	NPT innen
Discharge Ports (2)	3/8"	NPT innen
One shaft end	right	
Shaft Diameter	20	mm
Weight	9	kg

\*Above 70°C call CAT PUMPS for inlet conditions and elastomer recommendations.

### FEATURES

- Triplex design delivers high efficiency and low pulsation.
- Durable dual V-Packings are lubricated and cooled by pumped liquid.
- Pre-set Lo-Pressure seals provide secondary protection against external leaks and require no packing adjustments.
- Special high-density, polished, concentric plungers provide a true wear surface and extended seal life.
- Specially formulated Seals and V-Packings offer unmatched performance and extended life.
- Interchangeable inlet and discharge valves for easy servicing.
- Wet-end easily serviced without entering crankcase.

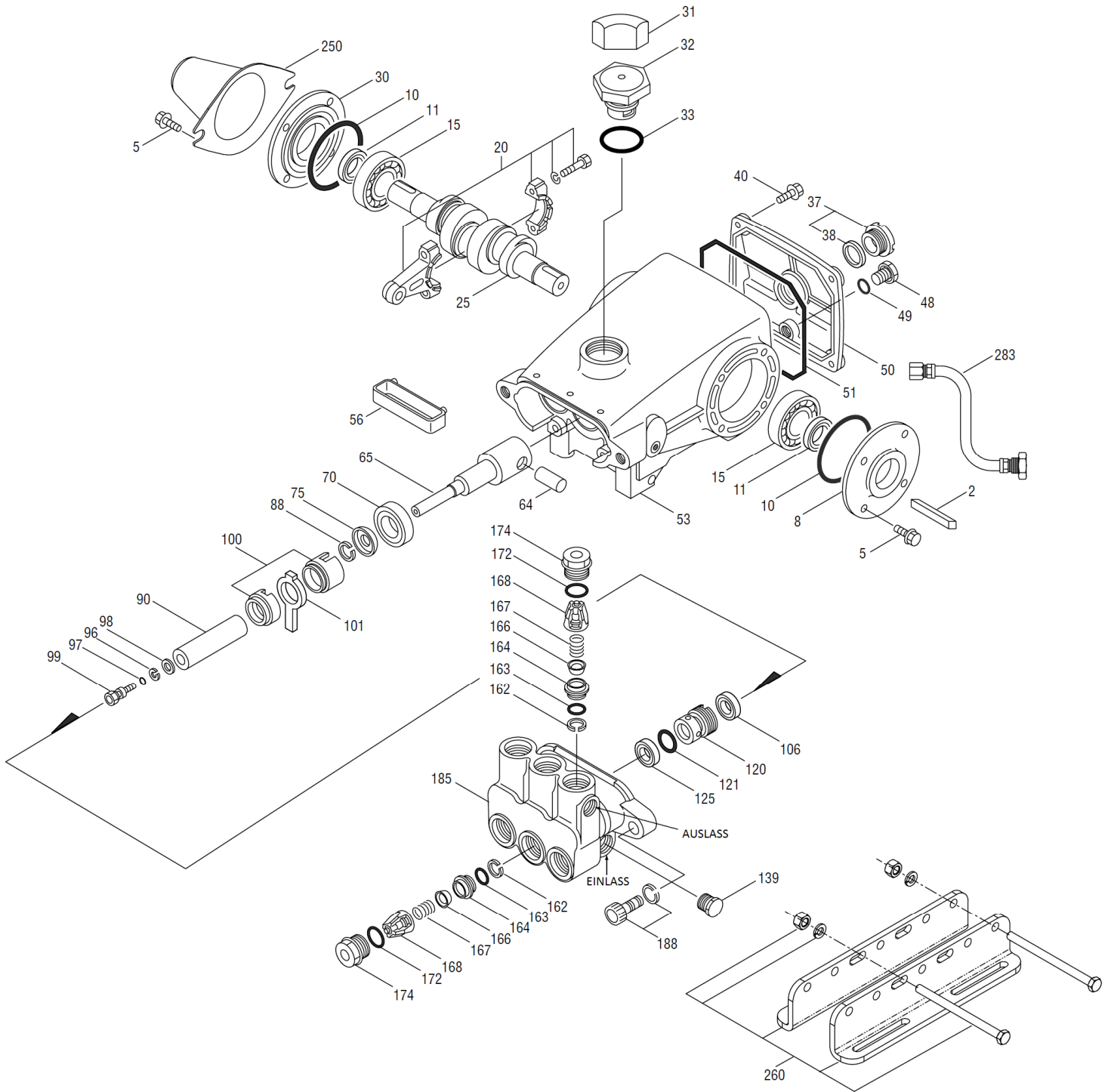
### CAUTION!

All High Pressure Systems require a primary pressure regulating device (i.e., regulator, unloader) and a secondary pressure safety relief device (i.e., pop-off valve, safety valve). Failure to install such relief devices could result in personal injury or damage to the pump or to system components. CAT PUMPS does not assume any liability or responsibility for the operation of a customer's high pressure system.

Read all CAUTIONS and WARNINGS before commencing service or operation of any high pressure system. The CAUTIONS and WARNINGS are included in each service manual and with each Accessory Data sheet. CAUTIONS and WARNINGS can also be viewed online at [www.catpumps.de](http://www.catpumps.de) or can be requested directly from CAT PUMPS.

*"Customer confidence is our greatest asset"*

# EXPLODED VIEW



## PARTS LIST

ITEM	DESCRIPTION	PART-NO	QTY	ITEM	DESCRIPTION	PART-NO	QTY
<b>300</b>				<b>300</b>			
<small>each Pump</small>				<small>each Pump</small>			
2	Key	30057	1	121	O-Ring, Seal Case, NBR	14200	3
5	Screw, M6x16	125824	8		<i>O-Ring, Seal Case, FPM</i>	11719	3
8	Cover, Bearing	43344	1		<i>O-Ring, Seal Case, EPDM</i>	48907	3
10	O-Ring, Bearing Cover, NBR	43343	2	125	Seal, High Pressure, NBR	43307	3
11	Seal Oil, NBR	43222	1-2		<i>Seal, High Pressure, FPM</i>	44936	3
15	Bearing	14480	2		<i>Seal, High Pressure, STG</i>	46667	3
20	Rod, connecting, complete	45883	3	139	Plug, Inlet, 1/2"	22179	1
25	Crankshaft, single End	44923	1	162	Back-up-Ring, Delrin	48361	6
30	Cover, Bearing, blind	44949	1	163	O-Ring, Seat, NBR	43358	6
32	Cap, Oil Filler	43211	1		<i>O-Ring, Seat, FPM</i>	44938	6
33	O-Ring, Filler Cap, NBR	14177	1		<i>O-Ring, Seat, EPDM</i>	48908	6
37	Gauge, Oil, Bubble, w/Gasket	92241	1	164	Seat, Valve	43725	6
38	Gasket, Flat, Oil Gauge, NBR	44428	1	166	Valve	43723	6
40	Screw, M6x20	126541	4	167	Spring, Valve	43750	6
48	Plug, Oil Drain, 1/4"	25625	1	168	Retainer, Valve Spring, PVDF	44565	6
49	O-Ring, Drain Plug, NBR	23170	1	172	O-Ring, Valve Plug, NBR	17615	6
50	Cover, Rear	48772	1		<i>O-Ring, Valve Plug, FPM</i>	15855	6
	<small>(bis 05/02)</small>	43339			<i>O-Ring, Valve Plug, EPDM</i>	48431	6
51	O-Ring, Rear Cover, NBR	48773	1	174	Plug, Valve	43849	6
	<small>(bis 05/02)</small>	44835		185	Manifold, Head	44837	1
53	Crankcase	48769	1	188	Screw, HSH, M10x35	126520	2
	<small>(bis 05/02)</small>	48770		250	Protector, Shaft	118672	1
56	Pan, Oil	43355	1				
64	Pin, Crosshead, CM	43351	3	260	<i>Mount, Assy Rail</i>	126610	1
65	Rod, Plunger	43365	3	283	<i>Kit, Oil Drain</i>	34334	1
70	Seal, Oil, Crankcase, NBR	43228	3	299	<i>Head, complete</i>	810027	1
75	Slinger Barrier	43328	3	300*	Kit, Seal, NBR	30623	1
88	Washer, Keyhole	45697	3		<i>Kit, Seal, FPM</i>	34155	1
90	Plunger, Ceramic	43367	3		<i>Kit, Seal, STG</i>	33623	1
96	Back-up-Ring, PlungerRetainer	43235	3		<i>Kit, Seal, EPDM</i>	31163	1
97	<i>O-Ring, Plunger Retainer, NBR</i>	17399	3	310*	Kit, Valve, NBR	30821	2
	<i>O-Ring, Plunger Retainer, FPM</i>	14160	3		<i>Kit, Valve, FPM</i>	31821	2
	<i>O-Ring,PlungerRetainer EPDM</i>	46204	3		<i>Kit, Valve, EPDM</i>	31162	2
98	Washer, Plunger	45891	3	350	<i>Plier Reverse</i>	30696	1
99	Retainer, Plunger	104360	3	351	<i>Socket, Seal Case</i>	33004	1
100	Retainer, Seal, 2 tlg.	45688	3				
101	Wick, Tab	43302	3				
106	Seal, Low Pressure, NBR	43305	3				
	<i>Seal, Low Pressure, FPM</i>	45153	3				
	<i>Seal, Low Pressure, EPDM</i>	48429	3				
120	Case, Seal	45679	3				

\* Kit # 300 inclds Item: 97; 101; 106; 121; 125

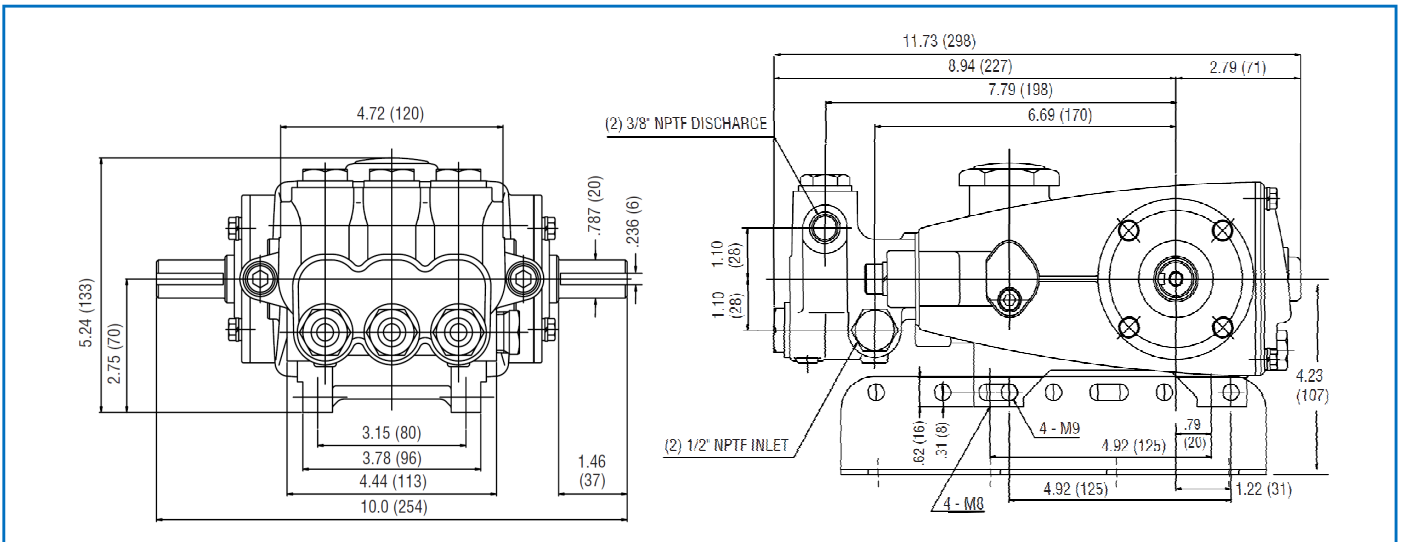
\* Kit # 310 inclds Item: 162-164; 166-168; 172

Angle brackets are not included.  
If required, please order separately.

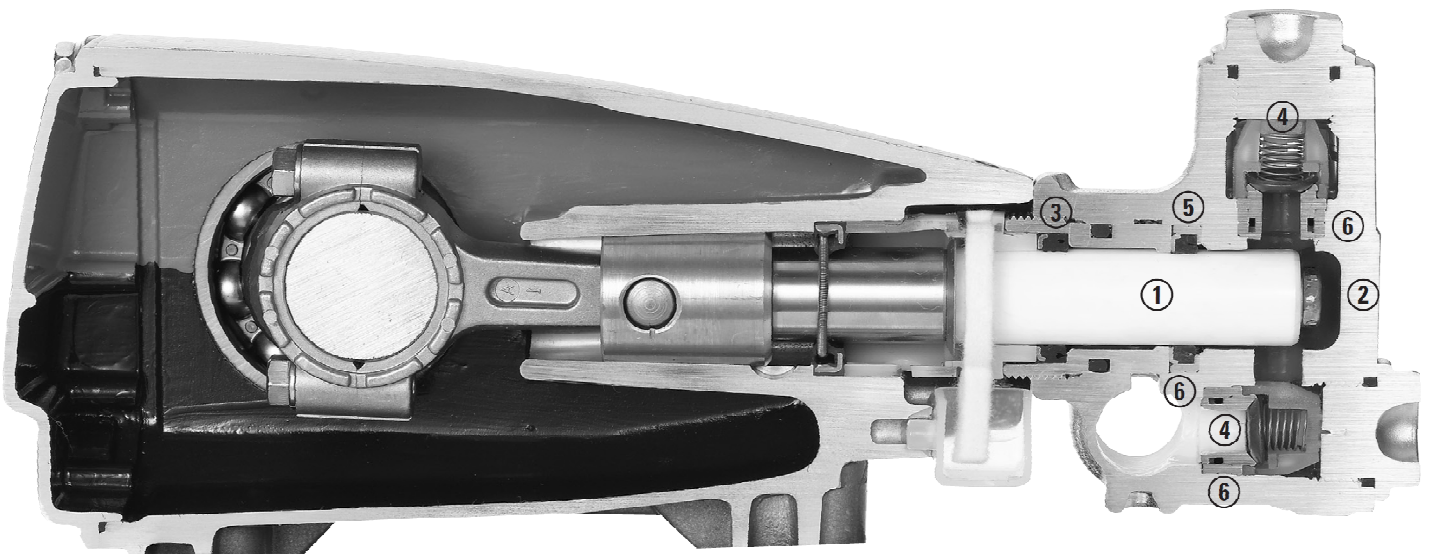
Italicized items are available options.

technical Variation reserved  
Rev.-No.: 11 o Date: 05.02.2013 (JF)

The model 300 has only one shaft end, on the right side.  
These models are also available with a shaft output on left. To the name then. "F" is added.  
All the above models are also available with hot water HP seal. The designation will be "STG" added.



Model: 300



- 1 Special concentric, high-density, polished, solid ceramic **plungers** provide a true wear surface and extended seal life.
- 2 **Manifolds** are a high tensile strength forged brass or special brass for long life, continuous duty and compatibility.
- 3 100% wet **seal** design adds to service life by allowing pumped liquids to cool and lubricate on both sides.
- 4 Stainless steel **valves, seats and springs** provide corrosion-resistance, ultimate seating and extended life.
- 5 Specially formulated, Cat Pump exclusive, **Hi-Pressure Seals** offer unmatched performance and seal life.
- 6 Precision, press-fit, **304 stainless steel sleeves** in both the seal and valve chambers provide extended life (S models only).



# PIJTTERSEN

Pijtersen B.V.  
 Beneluxweg 33  
 9636 HV Zuidbroek  
 Tel.: +31(0)50-8200963

KvK 01013855  
 BIC RABONL2U  
 BTW NL002166811B01  
 IBAN NL24 RABO 0353 2970 97



*The Pumps with Nine Lives*