

DATA SHEET

15 FRAME PLUNGER PUMPS

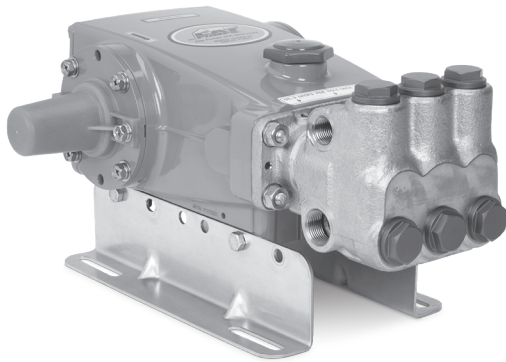


Stainless Steel
1051

SS Flushed
1051C

Duplex SS
1051D

Nickel Aluminum Bronze
1057



Model 1051 Shown
(Shaft protector included rails sold separately)

FEATURES

- Triplex design delivers high efficiency and low pulsation.
- Special flushed inlet manifold on model 1051C permits external flush for added cooling with high-temperature liquids and lubrication with low-lubricity liquids.
- Belt driven option provides precision flow settings.
- Compact direct-drive with bell housing and flexible coupler assembly. NEMA or IEC electric motor or hydraulic options available.
- Standard NBR seals with alternative options for temperature and chemical compatibility.

COMMON SPECIFICATIONS

	U.S.	Metric
Bore	0.945"	24 mm
Stroke	1.181"	30 mm
Crankcase Capacity	42 oz.	1.26 l
Inlet Ports (2)	3/4" NPT(F)	3/4" NPT (F)
Flush Ports (2) (1051C)	1/8" NPT (F)	1/8" NPT (F)
Discharge Ports (2)	1/2" NPT (F)	1/2" NPT (F)
Pulley Mounting	Either Side	Either Side
Shaft Diameter	1.181"	30 mm
Weight	44 lbs.	20 kg
Dimensions (1051,1051C,1051D)	16.10 x 12.99 x 6.45"	409 x 330 x 164 mm
Dimensions (1057)	16.25 x 12.99 x 6.45"	413 x 330 x 164 mm

SPECIFICATIONS

	U.S.	Metric
Flow	10 gpm	38 lpm
Pressure Range	100 – 2200 psi	6.9 – 152 bar
Pump RPM*	958 rpm	958 rpm
Inlet Pressure Range	-5 – 60 psi	-0.35 – 4.1 bar
Max. Liquid Temp. (NBR)	160°F	71°C

*Pump minimum is 100 RPM.

Alternative seals available for higher temperatures up to 200° F

ALTERNATE SPECIFICATIONS

	U.S.	Metric
Flow	12.3 gpm	46.6 lpm
Pressure Range	100 – 1800 psi	6.9 – 124 bar
Pump RPM*	1180 rpm	1180 rpm
Inlet Pressure Range	20 – 60 psi	1.4 – 4.1 bar
Max. Liquid Temp. (NBR)	100°F	38°C

*Pump minimum is 100 RPM.



PIJTERSEN

E-mail : info@pijtersen.nl / info@catpumps.nl
Internet : www.pijtersen.nl / www.catpumps.nl

ALTERNATIVE SEAL CONFIGURATION

MATERIAL	SUFFIX CODE	MAXIMUM TEMPERATURE
NBR	—	160° F (71° C)
FPM	.0110	180° F (82° C)
EPDM	.0220	160° F (71° C)
IPFE	.0770	200° F (93° C)
HT	.3000	180° F (82° C)
STHT	.3400	190° F (88° C)

See **Tech Bulletin 002** for inlet conditions and RPM at high temperature.

DETERMINING THE PUMP R.P.M.	Rated gpm	=	"Desired" gpm
	Rated rpm	=	"Desired" rpm
DETERMINING THE REQUIRED H.P.	HP (Electric Brake)	=	gpm x psi 1460
	Motor Pulley O.D. Pump rpm	=	Pump Pulley O.D. Motor rpm

Refer to pump **Service Manual** for repair procedure and additional technical information.

PARTS LIST

ITEM	DESCRIPTION				QTY	
	1051/C/D	MATL	1057	MATL		
5	49651	S	49651	S	Screw, HHC Sems (M8x20) (See Tech Bulletin 074, 128)	8
8	134805	ALE	134805	ALE	Cover, Bearing (See Tech Bulletin 118, 128)	2
9	855043	FBR	855043	FBR	Shim, Split, Bearing Cover 2-Piece (See Tech Bulletin 128)	2/4
10	11340	NBR	11340	NBR	O-Ring, Bearing Cover – 70D	2
11	43495	NBR	43495	NBR	Seal, Oil, Crankshaft	2
12	855044	S	855044	S	Shim, Split, Bearing Cover 2-Piece (See Tech Bulletin 128)	0/4
15	39060	STL	39060	STL	Bearing, Roller	2
20	48600	TNM	48600	TNM	Rod, Connecting Assembly [10/01] (See Tech Bulletin 074)	3
25	43494	FCM	43494	FCM	Crankshaft, Dual End (M30)	1
32	43211	ABS	43211	ABS	Cap, Oil Filler	1
33	14177	NBR	14177	NBR	O-Ring, Filler Cap – 70D	1
37	92241	PC	92241	PC	Gauge, Oil, Bubble with Gasket – 80D (See Tech Bulletin 074)	1
38	44428	NBR	44428	NBR	Gasket, Flat, Oil Gauge – 80D	1
40	92542	S	92542	S	Screw, HHC Sems (M6 x 20) (See Tech Bulletin 074)	4
48	25625	STCP	25625	STCP	Plug, Drain (1/4" x 19BSP)	1
49	23170	NBR	23170	NBR	O-Ring, Drain Plug – 70D	1
50	133576	ALE	133576	ALE	Cover, Rear (See Tech Bulletin 118)	1
51	44834	NBR	44834	NBR	O-Ring, Rear Cover – 70D	1
53	134848	ALE	134848	ALE	Crankcase (Includes: 54, 55) (See Tech Bulletin 118, 128)	1
54	27488	S	27488	S	Pin, Guide	2
55	44005	S	44005	S	Stud, Manifold (M10 x 45) (See Tech Bulletin 128)	4
56	44664	POP	44664	POP	Pan, Oil	1
64	43507	CM	43507	CM	Pin, Crosshead	3
65	48892	SSHB	45258	SSZZ	Rod, Plunger	3
69	126592	STCP R	126592	STCP R	Washer, Oil Seal	3
70	43500	NBR	43500	NBR	Seal, Oil, Crankcase – 80D	3
75	43506	S	43506	S	Slinger, Barrier	3
88	45675	S	45675	S	Washer, Keyhole	3
89	45879	SS	45879	SS	Collar, Spacer	3
90	43552	CC	43552	CC	Plunger (M24 x 77)	3
95	89651	SS	89651	SS	Stud, Plunger Retainer (M6 x 70)	3
96	43235	PTFE	43235	PTFE	Back-Up Ring, Plunger Retainer	3
97	17399	NBR	17399	NBR	O-Ring, Plunger Retainer – 80D	3
98	44041	SS	44041	SS	Gasket, Plunger Retainer	3
99	44031	SS	44031	SS	Retainer, Plunger (M6) (See Tech Bulletin 074)	3
100	855001	POP	855001	POP	Retainer, Seal 2-Piece [07/05] (See Tech Bulletin 098)	3
101	43554	—	43554	—	Wick, Long Tab	3
106	44035	NBR	44035	NBR	Seal, LPS with SS-Spring	3
120	49286	SSNP	49286	SSNP	Case, Seal [07/05]	3
121	14762	NBR	14762	NBR	O-Ring, Seal Case – 70D	3
126	48389	D	48389	D	Adapter, Female (See Tech Bulletin 087)	3
	45073	SS	45073	SS	Adapter, Female (See Tech Bulletin 087)	3
127	103692	STG	103692	STG	V-Packing	6
128	45074	SS	45074	SS	Adapter, Male	3
139	44382	SS	44562	NAB	Plug, Inlet [3/4" NPT(M)]	1
162	43248	PTFE	43248	PTFE	Back-Up Ring, Valve Seat	6
163	43249	NBR	43249	NBR	O-Ring, Seat – 80D	6
164	44037	SS	44037	SS	Seat	6
166	† 48793	SS	† 48793	SS	Valve	6
167	44039	SS	44039	SS	Spring, Valve	6
168	44564	PVDF	44564	PVDF	Retainer, Spring	6
171	—	—	44832	S	Coil Spring, Valve Plug (1057 Only)	6
172	17617	NBR	17617	NBR	O-Ring, Valve Plug	6
174	49293	SS	44831	NAB	Plug, Valve (See Tech Bulletin 074)	6
185	134823	SS	46706	NAB	Head, Manifold [8/18]	1
	49188	SS	—	—	Head, Manifold, Flushed (1/8" Flushed Port) (1051C Only)	1
	134824	SSD	—	—	Head, Manifold (1051D Only) [8/18]	1
192	15847	S	15847	S	Lockwasher (M10)	4
194	81258	S	81258	S	Nut, Hex (M10) (See Tech Bulletin 074)	4
250	855047	NY	855047	NY	Protector, Shaft with Two Screws (See Tech Bulletin 128)	1

Italics are optional items. Bold print part numbers are unique to a particular pump model.

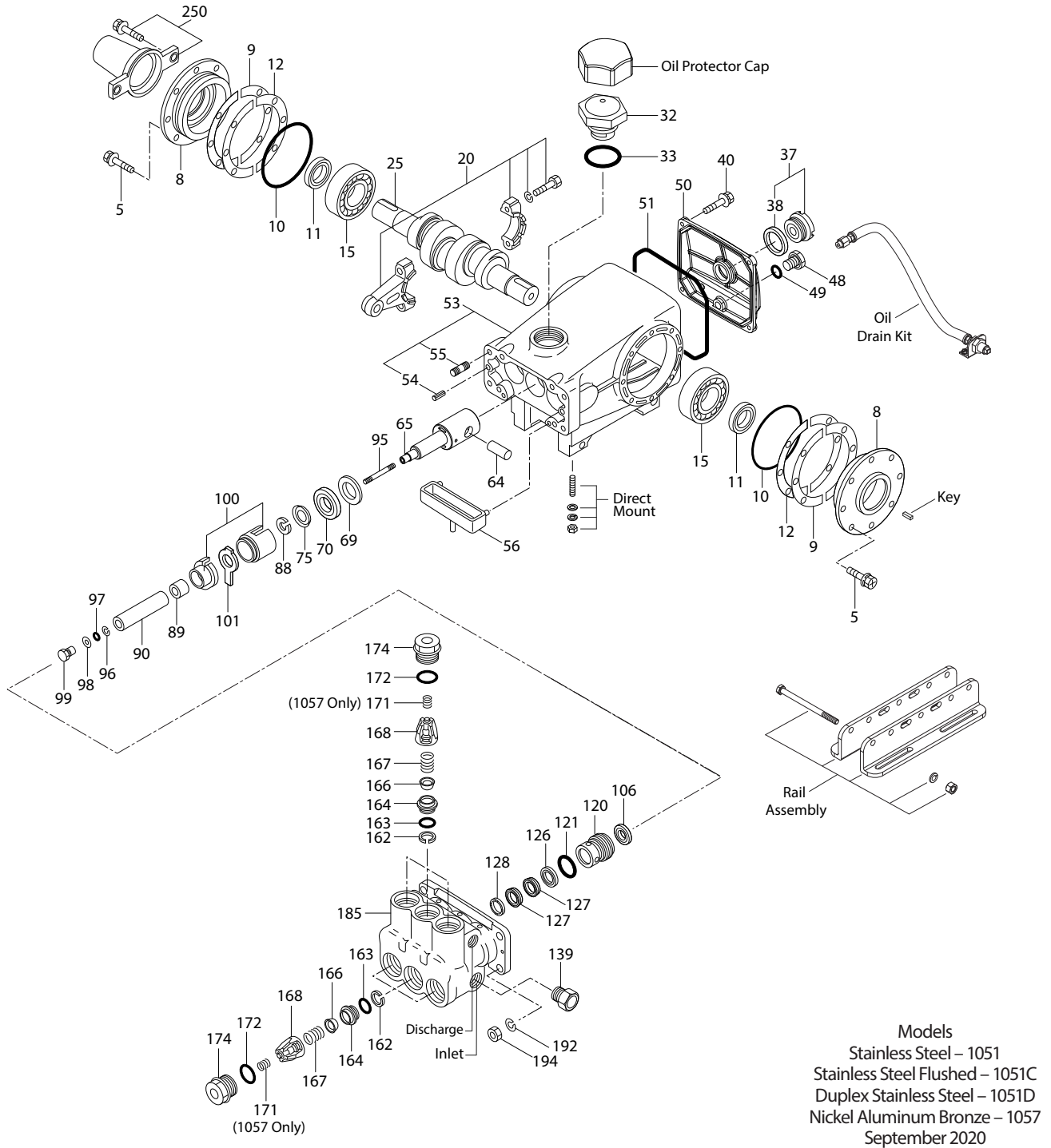
[] Date of latest production change. † Production parts different from service parts. R components comply with RoHS Directive.

*Review individual parts in each kit for material code identification. For additional technical information see www.catpumps.com/literature/tech-bulletins.

MATERIAL CODES (Not Part of Part Number): ABS=ABS Plastic ALE=Aluminum Epoxy CC=Ceramic CM=Chrome-moly D=Acetal EPDM=Ethylene Propylene Diene Monomer FBR=Fiber FCM=Forged Chrome-moly FPM=Fluorocarbon HT=High Temp. IPFE=Perfluoroelastomer NAB=Nickel Aluminum Bronze NBR=Medium Nitrile (Buna-N) NY=Nylon PC=Polycarbonate PE=Polyethylene POP=Polypropylene PTFE=Pure Polytetrafluoroethylene PVDF=Polyvinylidene Fluoride S=304SS SS=316SS SSD= Duplex SS SHSB=316SS/High Strength Brass SSZZ=316SS/Zamak STCP=Steel/Chrome Plated STG=Special Blend PTFE White STHT=Special PTFE/High Temp SSNP=316SS/Nickel Plated STL=Steel TNM=Special High Strength

Standard and optional Seal Kits and Valve Kits listed on pages 3 and 4. Optional Parts and Accessories and Service parts listed on Page 3.

EXPLODED VIEW



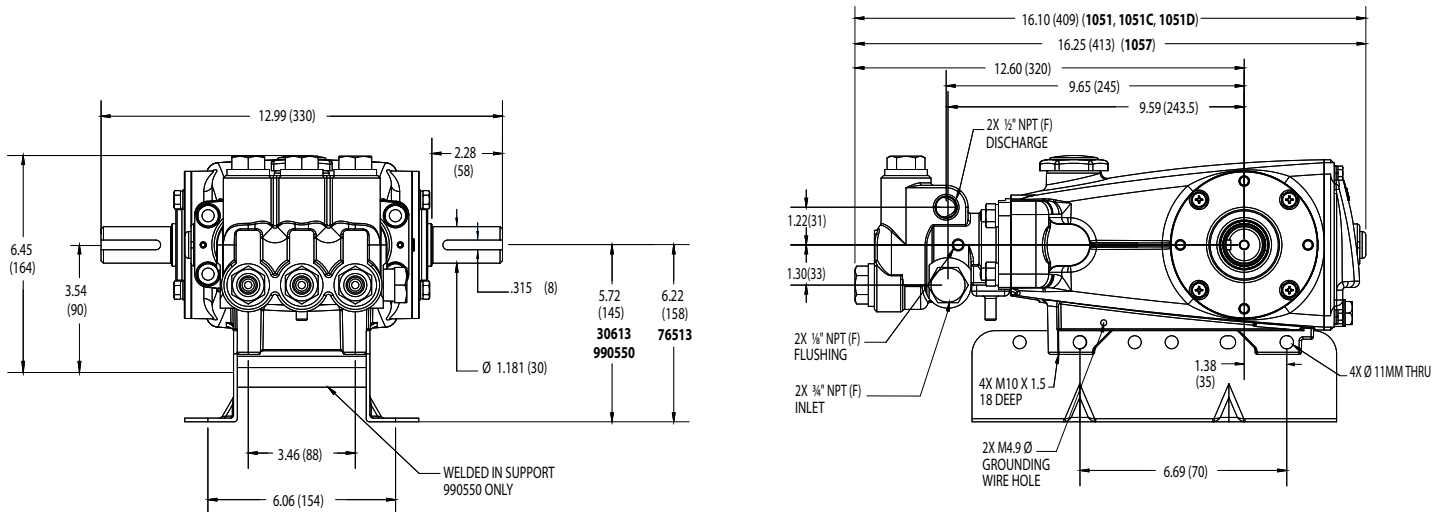
Models
 Stainless Steel – 1051
 Stainless Steel Flushed – 1051C
 Duplex Stainless Steel – 1051D
 Nickel Aluminum Bronze – 1057
 September 2020

OPTIONAL PARTS AND ACCESSORIES

PART	DESCRIPTION	QTY
30067	Key (M8 x 7.5 x 25)	1
30264	Mount, Direct	1
30613	Assembly, Rail (See Dimensional Drawing)	1
990550	Assembly, Rail for Diesel/Gas (See Dimensional Drawing)	1
76513	Assembly, Rail (See Dimensional Drawing)	1
828710	Protector, Oil Cap with Foam Gasket	1
30059	Hub, "H" 30mm (M8 Keyway)	1
34334	Kit, Oil Drain (3/8" x 24") (See Individual Data Sheet)	1
33006	Socket, Seal Case (1/2" drive)	1
30696	Pliers, Reverse	1

SERVICE PARTS

PART	DESCRIPTION	QTY
33916	Seal Kit – Standard	1
34387	Valve Kit – Standard	2
6107	Oil, Bottle (21 oz.) ISO 68 Hydraulic	2
6119	Lubricate, Antiseize (2 oz.) (See Tech Bulletin 095) Models 1051, 1051C, 1051D	1
6124	Gasket, Liquid (3 oz.)	1
816771	Head, Complete with NBR seals and o-rings Model 1051	1
818333	Head, Complete with NBR seals and o-rings Model 1051C	1
818442	Head, Complete with NBR seals and o-rings Model 1051D	1
815261	Head, Complete with NBR seals and o-rings Model 1057	1



SEAL KITS One (1) seal kit required per pump

PUMP MODELS	NBR (STD)	FPM (.0110)	EPDM (.0220) ♦	IPFE (.0770)	STHT (.3400)
1051, 1051C, 1051D, 1057	33916	30986	33913	76913	76062

ITEM (Included in Seal Kits)						DESCRIPTION	QTY
97	17399	14160	46204	701715	17399	O-Ring, Plunger Retainer	3
100	855001	855001	855001	855001	855001	Retainer, Seal 2-Piece	3
106	44035	44388	46208	703243	76035	Seal, LPS with SS-Spring	3
121	14762	11737	46205	701851	14762	O-Ring, Seal Case	3
127	103692	103692	103692	103692	103692	V-Packing	6

♦ Silicone oil/grease required

VALVE KITS Two (2) valve kits required per pump

PUMP MODELS	NBR (STD)			
	STHT (.3400)	FPM (.0110)	EPDM (.0220) ♦	IPFE (.0770)
1051, 1051C, 1051D, 1057	34387	30987	31258	76385

ITEM (Included in Valve Kits)					DESCRIPTION	QTY
162	43248	43248	43248	43248	Back-up Ring, Seat	3
163	43249	44383	46206	701852	O-Ring, Seat	3
164	44037	44037	44037	44037	Seat	3
166	48793	48793	48793	48793	Valve	3
167	44039	44039	44039	44039	Spring	3
168	44564	44564	44564	44564	Retainer, Spring	3
172	17617	11691	46207	701853	O-Ring, Valve Plug	3

♦ Silicone oil/grease required

⚠ CAUTIONS AND WARNINGS

All high-pressure systems require a primary pressure regulating device (i.e. regulator, unloader) and a secondary pressure relief device (i.e. pop-off valve, relief valve). Failure to install such relief devices could result in personal injury or damage to pump or property. Cat Pumps does not assume any liability or responsibility for the operation of a customer's high-pressure system.

Read all CAUTIONS and WARNINGS before commencing service or operation of any high-pressure system. The CAUTIONS and WARNINGS are included in each Service Manual and with each Accessory Data sheet. CAUTIONS and WARNINGS can also be viewed online at www.catpumps.com/dynamic-literature/cautions-and-warnings or can be requested directly from Cat Pumps.

WARRANTY

View the Limited Warranty on-line at www.catpumps.com/literature/cat-pumps-limited-warranty



PIJTTERSEN

Pijtersen B.V.
Beneluxweg 33
9636 HV Zuidbroek
Tel.: +31(0)50-8200963

KvK 01013855
BIC RABONL2U
BTW NL002166811B01
IBAN NL24 RABO 0353 2970 97

www.pijtersen.nl - info@pijtersen.nl | www.catpumps.nl - info@catpumps.nl

