

DATA SHEET

60 FRAME PLUNGER PUMPS



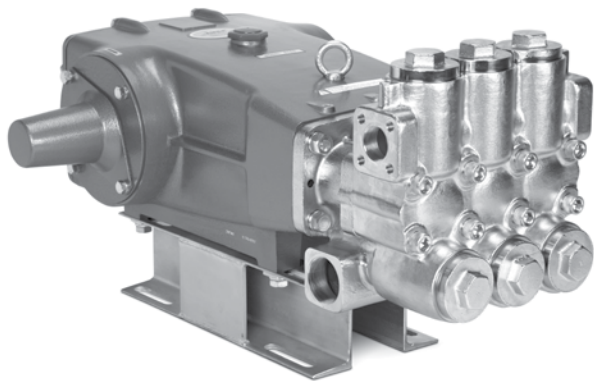
**Chrome
Plated**
6760

**Stainless
Steel**
6761

**Duplex
SS**
6762

**Nickel Aluminum
Bronze**
6767

**Nickel Aluminum
Bronze Flushed**
6767C



Model 6760 Shown
(Rails and shaft protector included)

PIJTTERSEN
E-mail : info@pijttersen.nl / info@catpumps.nl
Internet : www.pijttersen.nl / www.catpumps.nl

FEATURES

- Triplex plunger delivers high efficiency and low pulsation.
- Special ported inlet manifold permits an external flush liquid providing cooling for hi-temp liquids and lubrication for low lubricity liquids. (6767C model)
- Durable V-Packings are completely lubricated and cooled by pumped liquid.
- Pre-set low-pressure seals provide secondary protection against external leaks and require no packing adjustment.
- Special high-density, polished, concentric, ceramic plungers provide a true wear surface and extend seal life.
- Standard NBR seals with alternative options for temperature and chemical compatibility
 - FPM – .0110
 - EPDM – .0220

SPECIFICATIONS

	U.S.	Metric
Flow	60 gpm	227 lpm
Pressure Range	100 to 1200 psi	6.9 to 83 bar
Pump RPM*	520 rpm	520 rpm
Inlet Pressure Range	Flooded to 50 psi	Flooded to 3.5 bar
Max. Liquid Temperature	140° F	60° C
Above 130°F call Cat Pumps for inlet conditions and elastomer recommendations.		
Bore	2.165"	55 mm
Stroke	2.579"	65.5 mm
Crankcase Capacity	10 qts	9.46 l
Inlet Ports (2)	2" NPT(F)	2" NPT(F)
Flushing Ports (2) (6767C)	1/4" NPT(F)	1/4" NPT(F)
Discharge Ports (2)	1-1/4" NPT(F)	1-1/4" NPT(F)
Shaft Diameter	1.772"	45 mm
Pulley Mounting	Either Side	Either Side
Weight	335 lbs	151.95 kg

Dimensions	U.S.	Metric
6760, 6767, 6767C	31.14 x 24.37 x 17.87"	791 x 619 x 454 mm
6761, 6762	30.71 x 24.37 x 17.44"	780 x 619 x 443 mm

* Pump minimum is 100 RPM.

ELECTRIC HORSEPOWER REQUIREMENTS

FLOW		PRESSURE			RPM
		psi 900	psi 1000	psi 1200	
U.S. gpm	lpm	bar 62	bar 69	bar 83	
60	227	37.1	41.2	49.4	520
50	189	30.9	34.3	41.2	433

DETERMINING THE PUMP R.P.M.	Rated gpm	=	"Desired" gpm
	Rated rpm	=	"Desired" rpm
DETERMINING THE REQUIRED H.P.	Hp (Electric Brake)	=	$\frac{\text{gpm} \times \text{psi}}{1460}$
DETERMINING MOTOR PULLEY SIZE	Motor Pulley O.D. Pump rpm	=	$\frac{\text{Pump Pulley O.D.}}{\text{Motor rpm}}$

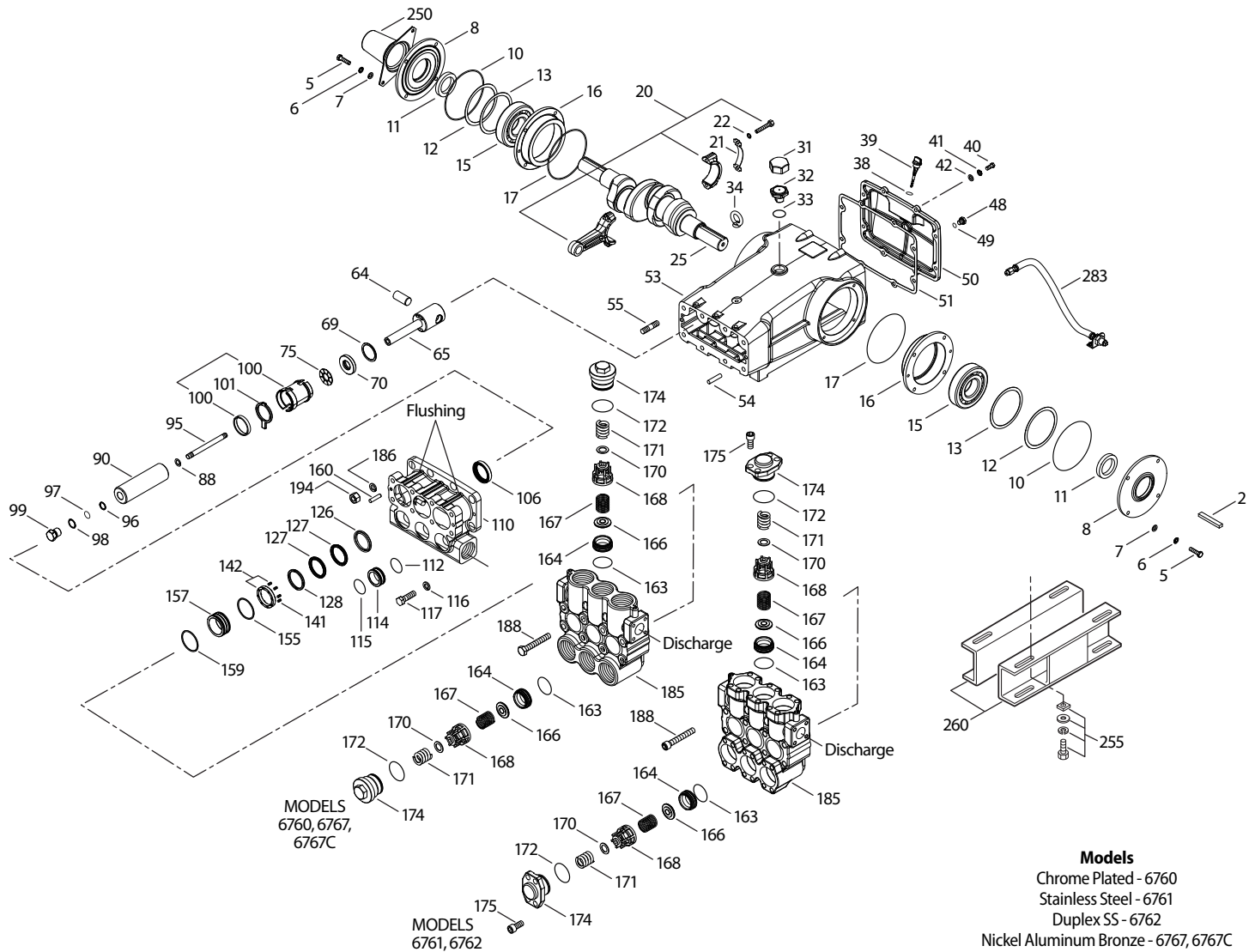
See complete Drive Packages [Includes: pulleys, belts, hubs, key] Tech Bulletin 003.
Refer to pump **Service Manual** for repair procedure and additional technical information.

PARTS LIST

ITEM	PART NUMBER								DESCRIPTION	QTY
	6760	MATL	6761	MATL	6762	MATL	6767/C	MATL		
2	43048	STL	43048	STL	43048	STL	43048	STL	Key (M14x9x90)	1
5	126532	STCP R	89728	S	89728	S	89728	S	Screw, HH (M10 x 40)	8
6	126231	STCP R	—	—	—	—	—	—	Lockwasher (M10)	8
7	126574	STCP R	19934	S	19934	S	19934	S	Washer, Flat (M10)	8
8	29443	AL	29443	AL	29443	AL	29443	AL	Cover, Bearing, Outer (See Tech Bulletin 118)	2
10	29444	NBR	29444	NBR	29444	NBR	29444	NBR	O-Ring, Bearing Cover - 70D	2
11	11443	NBR	11443	NBR	11443	NBR	11443	NBR	Seal, Oil, Crankshaft - 70D	2
12	126594	STCP R	126594	STCP R	126594	STCP R	126594	STCP R	Washer, Shim (M120 x 0.3)	0-2
13	126595	STCP R	126595	STCP R	126595	STCP R	126595	STCP R	Washer, Shim (M120 x 0.5)	0-2
15	29441	STL	29441	STL	29441	STL	29441	STL	Bearing, Roller	2
16	29442	STL	29442	STL	29442	STL	29442	STL	Cover, Bearing, Inner	2
17	29444	NBR	29444	NBR	29444	NBR	29444	NBR	O-Ring, Bearing Cover - 70D	2
20	126612	BBHS	126612	BBHS	126612	BBHS	126612	BBHS	Rod, Connecting (Incls: 21, 22)	3
21	126560	STCP R	126560	STCP R	126560	STCP R	126560	STCP R	Washer, Locking	3
22	126593	STCP R	126593	STCP R	126593	STCP R	126593	STCP R	Washer, Shim (M10.5 x 1.5)	6
25	29440	FCM	29440	FCM	29440	FCM	29440	FCM	Crankshaft, Dual End	1
31	<i>828710</i>	<i>PE</i>	<i>828710</i>	<i>PE</i>	<i>828710</i>	<i>PE</i>	<i>828710</i>	<i>PE</i>	<i>Protector, Oil Cap w/Foam Gasket</i>	1
32	43211	ABS	43211	ABS	43211	ABS	43211	ABS	Cap, Oil Filler	1
33	14177	NBR	14177	NBR	14177	NBR	14177	NBR	O-Ring, Oil Filler Cap - 70D	1
34	126743	STCP R	126743	STCP R	126743	STCP R	126743	STCP R	Bolt, Eye (M12) (For Lifting Pump Only)	1
38	129343	RBR	129343	RBR	129343	RBR	129343	RBR	Gasket, Flat Flex	1
39	27769	ABS	27769	ABS	27769	ABS	27769	ABS	Stick, Dip	1
40	126531	STCP R	89627	S	89627	S	89627	S	Screw, HH (M10 x 30)	8
41	126231	STCP R	15847	S	15847	S	15847	S	Lockwasher (M10)	8
42	126574	STZP R	19934	S	19934	S	19934	S	Washer, Flat (M10)	8
48	25625	STCP	25625	STCP	25625	STCP	25625	STCP	Plug, Drain (1/4 x 19BSP)	1
49	23170	NBR	23170	NBR	23170	NBR	23170	NBR	O-Ring, Drain Plug - 70D	1
50	29438	AL	29438	AL	29438	AL	29438	AL	Cover, Rear (See Tech Bulletin 118)	1
51	129386	NBR	129386	NBR	129386	NBR	129386	NBR	Gasket, Rear Cover	1
53	45303	AL	45303	AL	45303	AL	45303	AL	Crankcase w/Guide Pins (Incls: 34, 54) (See Tech Bulletin 118)	1
54	43282	S	43282	S	43282	S	43282	S	Pin, Guide	2
55	126553	STCP R	89615	S	89615	S	89615	S	Stud (M16 x 70)	2
64	29481	CM	29481	CM	29481	CM	29481	CM	Pin, Crosshead	3
65	†45384	SSZZ	45384	SSZZ	45384	SSZZ	45384	SSZZ	Rod, Plunger	3
69	126588	STCP R	126588	STCP R	126588	STCP R	126588	STCP R	Washer, Oil Seal	3
70	29454	NBR	29454	NBR	29454	NBR	29454	NBR	Seal, Oil - 80D	3
75	44752	NBR	44752	NBR	44752	NBR	44752	NBR	Slinger, Barrier - 85D	3
88	45677	SS	45677	SS	45677	SS	45677	SS	Washers, Keyhole (M14)	3
90	44749	CC	44749	CC	44749	CC	44749	CC	Plunger (M55 x 185)	3
95	89783	S	44748	SS	44748	SS	44748	SS	Stud, Plunger Retainer (M14 x 147)	3
96	20214	PTFE	20214	PTFE	20214	PTFE	20214	PTFE	Back-up-Ring, Plunger Retainer	3
97	17616	NBR	17616	NBR	17616	NBR	17616	NBR	O-Ring, Plunger Retainer - 80D	3
98	44751	SS	44751	SS	44751	SS	44751	SS	Gasket, Plunger Retainer	3
99	45276	S	44750	SS	48959	SSD	44750	SS	Retainer, Plunger (M14)	3
100	855000	PVDF	855000	PVDF	855000	PVDF	855000	PVDF	Retainer, Seal, 2-pc	3
101	44762	—	44762	—	44762	—	44762	—	Wick, Long Tab (M55 x 185)	3
106	44757	NBR	44757	NBR	44757	NBR	44757	NBR	Seal, LPS w/SS-Spg	3
110	49457	NABC	45769	SS	48980	SSD	44754	NAB	Manifold, Inlet	1
	—	—	—	—	—	—	49305	NAB	Manifold, Inlet, Flushed (1/4" Flush Ports)	1
112	18175	NBR	18175	NBR	18175	NBR	18175	NBR	O-Ring, Spacer, Inner - 80D	3
114	†44767	SS	44767	SS	48957	SSD	44767	SS	Spacer, Inlet Manifold	3
115	18175	NBR	18175	NBR	18175	NBR	18175	NBR	O-Ring, Spacer, Outer - 80D	3
116	126569	STCP R	19086	S	19086	S	19086	S	Lockwasher (M16)	4
117	126537	STCP R	89729	S	89729	S	89729	S	Screw, HH (M16 x 55)	4
126	48392	D	48392	D	48392	D	48392	D	Adapter, Female (See Tech Bulletin 087)	3
	45771	SS	45771	SS	45771	SS	45771	SS	Adapter, Female	3
127	44764	STG*	44764	STG*	44764	STG*	44764	STG*	V-Packing	6
128	†45772	SS	45772	SS	48962	SSD	45772	SS	Adapter, Male	3
141	44943	SS	44943	SS	44943	SS	44943	SS	Coil Spring, Spacer	24
142	48501	BB	45383	SS	48982	SSD	45383	SS	Spacer w/Coil Springs	3
155	18178	NBR	18178	NBR	18178	NBR	18178	NBR	O-Ring, Spacer - 80D	3
157	†45321	SS	45321	SS	48961	SSD	45321	SS	Spacer, V-Packing	3
159	18178	NBR	18178	NBR	18178	NBR	18178	NBR	O-Ring, Spacer - 80D	3
160	44756	S	44756	S	44756	S	44756	S	Pin, Guide	2
163	18176	NBR	18176	NBR	18176	NBR	18176	NBR	O-Ring, Seat - 80D	6
164	†44772	SS	44772	SS	48964	SSD	44772	SS	Seat	6
166	†44774	SS	44774	SS	48958	SSD	44774	SS	Valve	6
167	44773	SS	44773	SS	44773	SS	44773	SS	Spring	6
168	44775	PVDF	44775	PVDF	44775	PVDF	44775	PVDF	Retainer, Spring	6
170	†44776	SS	44776	SS	48956	SSD	44776	SS	Washer, Retainer	6
171	44780	SS	44780	SS	44780	SS	44780	SS	Spring, Coil, Valve Plug	6
172	18177	NBR	18177	NBR	18177	NBR	18177	NBR	O-Ring, Valve Plug - 80D	6
174	49461	NABC	48572	SSD	48572	SSD	44778	NAB	Plug, Valve [3/00]	6

Standard and Optional Seal Kits, Valve Kits, Optional Parts and Accessories and Service Parts are listed on page 4.

EXPLODED VIEW

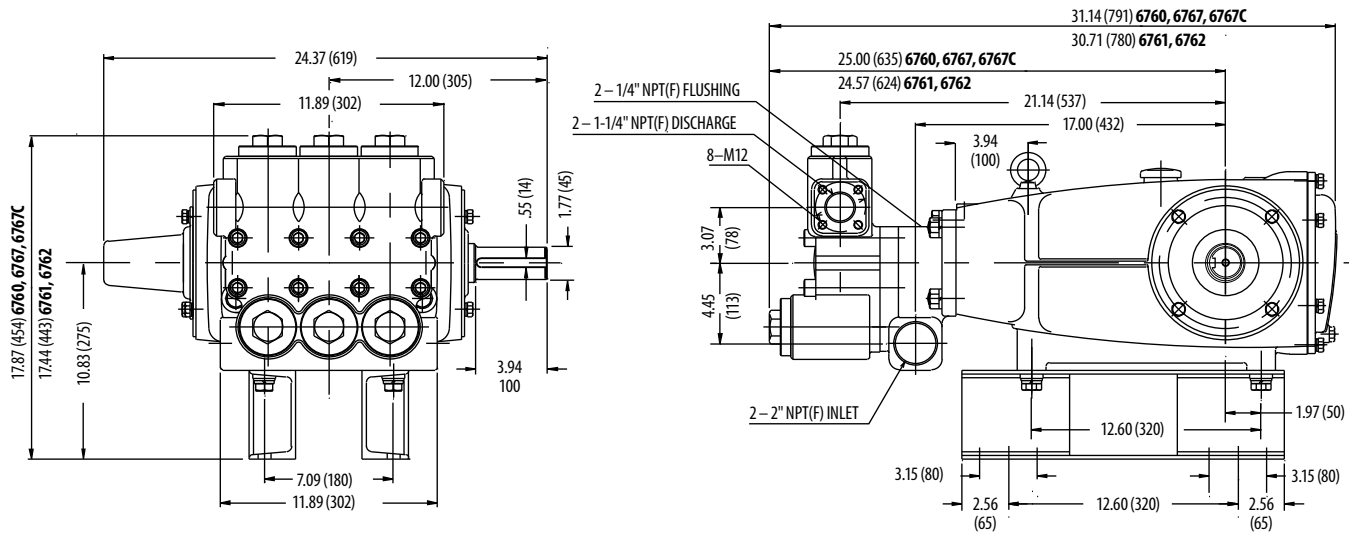


Models
 Chrome Plated - 6760
 Stainless Steel - 6761
 Duplex SS - 6762
 Nickel Aluminum Bronze - 6767, 6767C
 September 2016

ITEM	PART NUMBER								DESCRIPTION	QTY
	6760	MATL	6761	MATL	6762	MATL	6767/C	MATL		
175	—	—	48573	S	48573	S	—	—	Screw, HSH (M16x35) [3/00]	24
185	49459	NABC	48489	SS	48984	SSD	44769	NAB	Manifold, Discharge [3/00]	1
186	126569	STCR R	19086	S	19086	S	19086	S	Lockwasher (M16)	2
188	126744	STCP R	89694	S	89694	S	89694	S	Screw, HSH (M16 x 110)	8
194	126525	STCP R	81291	S	81291	S	81291	S	Nut, Hex (M16)	2
250	29445	AL	29445	AL	29445	AL	29445	AL	Protector, Shaft (Included w/pump) (See Tech Bulletin 118)	1
255	33243	—	33243	—	33243	—	33243	—	Kit, Mount (Included w/Pump)	1
259	126604	STCP R	126604	STCP R	126604	STCP R	126604	STCP R	Rail (Included w/Pump) (Two per pump required)	2
279	30429	STZP	30429	STZP	30429	STZP	30429	STZP	Oiler (10 oz.) (Not Shown)	3
283	34314	—	34314	—	34314	—	34314	—	Kit, Oil Drain	1
290	6124	—	6124	—	6124	—	6124	—	Gasket, Liquid (3.0 oz.)	1
299	816760	NABC	816667	SS	816865	SSD	814820**	NAB	Head, Complete (Models 6760, 6761, 6762 and 6767 only)	1
300	34091	NBR*	34091	NBR*	34091	NBR*	34091	NBR*	Kit, Seal (Incls: 97,106,112,115,127,155,159) Standard	1
310	†34092	NBR	34092	NBR	39400	NBR	34092	NBR	Kit, Valve (Incls: 163,164,166,167,168,170,172) Standard	2
—	819010	F	819010	F	819010	F	819010	F	Assy, Crankcase, Cast Iron Conversion	1
—	88902	STCP	88902	STCP	88902	STCP	88902	STCP	Stud (M16x277) (For removing D.M., I.M.)	2
—	6105	—	6105	—	6105	—	6105	—	Oil, Twin Pack (Two 2.5 Gal) ISO 68 Hydraulic (Fill to specified crankcase capacity prior to start-up)	1
—	—	—	6119	—	6119	—	—	—	Lubricant, Antiseize (2 oz.) (See Tech Bulletin 095)	1

Standard and Optional Seal Kits, Valve Kits, Optional Parts and Accessories and Service Parts are listed on page 4.

Bold print part numbers are unique to a particular pump model. Italics are optional items. [] Date of latest production change. † Production parts 304SS, replacement parts are 316SS.
 R Components comply with RoHS Directive. *Review material codes for individual items (STG generally may be used as alternate). **Complete head for model 6767 only.
 See Tech Bulletins 003, 024, 036, 043, 052, 053, 074, 082, 083, 084, 087, 095, 105 and 118 for additional information.
 MATERIAL CODES (Not Part of Part Number): ABS=ABS Plastic AL=Aluminum BB=Brass BBHS=Brass/High Strength CC=Ceramic CM=Chrome-Moly D=Acetal F=Cast Iron
 FCM=Forged Chrome-moly FPM=Fluorocarbon NAB=Nickel Aluminum Bronze NABC=Nickel Aluminum Bronze Chrome Plated NBR=Medium Nitrile (Buna-N)
 PE=Polyethylene PTFE=Pure Polytetrafluoroethylene PVDF=Polyvinylidene Fluoride S=304SS SS=316SS SSD=Duplex SS SSSZ=316SS/Zamak STCP=Steel/Chrome Plated
 STG=Special Blend PTFE White STL=Steel STZP=Steel/Zinc Plated



SEAL KITS

PUMP MODELS	NBR (STD)	FPM (0.0110)	EPDM (0.0220)◆
6760, 6761, 6762, 6767, 6767C	34091	34093	76091

ITEM (Included in Seal Kits)	PART NUMBER	DESCRIPTION	QTY
97	17616	O-Ring, Plunger Retainer	3
106	44757	Seal, LPS w/SS-Spg	3
112, 115	18175	O-Ring, Inner/Outer Spacer	3/3
127	44764	V-Packing	6
155, 159	18178	O-Ring, Spacer	3/3

Note: One (1) seal kit required per pump
 ◆ Silicone Oil/Grease required

VALVE KITS

PUMP MODELS	NBR (STD)	FPM (0.0110)	EPDM (0.0220)◆
6760, 6761, 6767, 6767C	34092	31273	76092
6762	39400	—	—

ITEM (Included in Valve Kits)	PART NUMBER	DESCRIPTION	QTY
163	18176	O-Ring, Seat	3
164	44772	Seat	3
164	48964	Seat (6762)	3
166	44774	Valve	3
166	48958	Valve (6762)	3
167	44773	Spring	3
168	44775	Retainer, Spring	3
170	44776	Washer, Retainer	3
170	48956	Washer, Retainer (6762)	3
172	18177	O-Ring, Valve Plug	3

Note: Two (2) valve kits required per pump
 ◆ Silicone Oil/Grease required

CAUTIONS AND WARNINGS

All High Pressure Systems require a primary pressure regulating device (i.e. regulator, unloader) and a secondary pressure relief device (i.e. pop-off valve, relief valve). Failure to install such relief devices could result in personal injury or damage to pump or property. Cat Pumps does not assume any liability or responsibility for the operation of a customer's high pressure system.

Read all CAUTIONS and WARNINGS before commencing service or operation of any high pressure system. The CAUTIONS and WARNINGS are included in each service manual and with each Accessory Data sheet. CAUTIONS and WARNINGS can also be viewed online at www.catpumps.com/cautions-warnings or can be requested directly from Cat Pumps.



PIJTTERSEN

Pijtersen B.V.
 Beneluxweg 33
 9636 HV Zuidbroek
 Tel.: +31(0)50-8200963

KvK 01013855
 BIC RABONL2U
 BTW NL002166811B01
 IBAN NL24 RABO 0353 2970 97



The Pumps with Nine Lives