

DATA SHEET

25 FRAME PLUNGER PUMPS



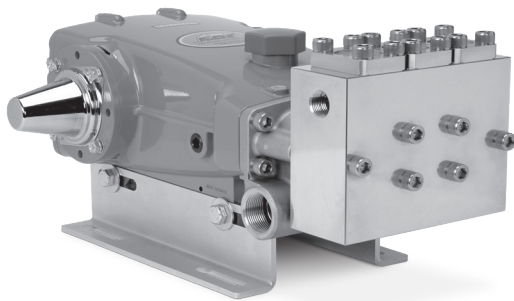
Brass Models: **2560, 2565**

Brass Bell Housing Models: **2560BH, 2565BH**



PIJTTERSEN

E-mail : info@pijttersen.nl / info@catpumps.nl
Internet: www.pijttersen.nl / www.catpumps.nl



Model 2560 Shown
(Rails and shaft protector sold separately)

FEATURES

- Triplex plunger design ensures high efficiency and low pulsation.
- Durable dual V-packings are lubricated and cooled by pumped liquid.
- Pre-set low-pressure seals provide secondary protection against external leaks and require no packing adjustments.
- Belt-driven option provides precise flow settings.
- Models 2560BH and 2565BH are built with a modified (unpainted) bearing cover that mounts directly to a bell housing for an SAE-C hydraulic drive option.
- Pump comes standard with NBR seals. Alternative seal materials are available for higher temperature or chemical compatibility.

SPECIFICATIONS

U.S. Measure

Metric Measure

2560, 2560BH

Flow	16 gpm	60.5 lpm
Pressure Range	100–3000 psi	6.9–207 bar
Pump RPM*	1510 rpm	1510 rpm
Bore	0.866"	22 mm

2565, 2565BH

Flow	20 gpm	75.7 lpm
Pressure Range	100–2500 psi	6.9–172 bar
Pump RPM*	1450 rpm	1450 rpm
Bore	0.984"	25 mm

*Pump minimum is 100 RPM.

COMMON

SPECIFICATIONS

U.S.

Metric

Inlet Pressure Range	Flooded to 70 psi	Flooded to 4.8 bar
Maximum Liquid Temp. (NBR)	140° F	60° C

Alternative seals available for higher temperatures up to 180° F

Stroke	1.516"	38.5 mm
Crankcase Capacity	84 oz	2.5 l
Inlet Ports (2)	1 ¼" NPT(F)	1 ¼" NPT(F)
Discharge Ports (2)	¾" NPT(F)	¾" NPT(F)
Pulley Mounting	Either side	Either side
Shaft Diameter	1.181"	30 mm
Weight	92.6 lbs	42 kg
Dimensions	20.35 x 15.04 x 8.58"	512 x 382 x 218 mm

DETERMINING THE PUMP RPM

$$\frac{\text{Rated gpm}}{\text{Rated rpm}} = \frac{\text{Desired gpm}}{\text{Desired rpm}}$$

DETERMINING THE REQUIRED HP

$$\text{hp (Electric Brake)} = \frac{\text{gpm} \times \text{psi}}{1460}$$

DETERMINING MOTOR PULLEY SIZE

$$\frac{\text{Motor Pulley OD}}{\text{Pump rpm}} = \frac{\text{Pump Pulley OD}}{\text{Motor rpm}}$$

Refer to pump **Service Manual** for repair procedure and additional technical information.

PARTS LIST

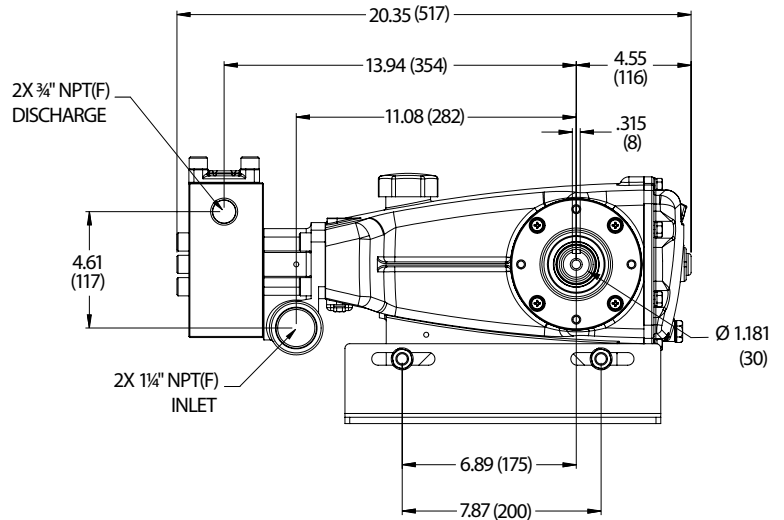
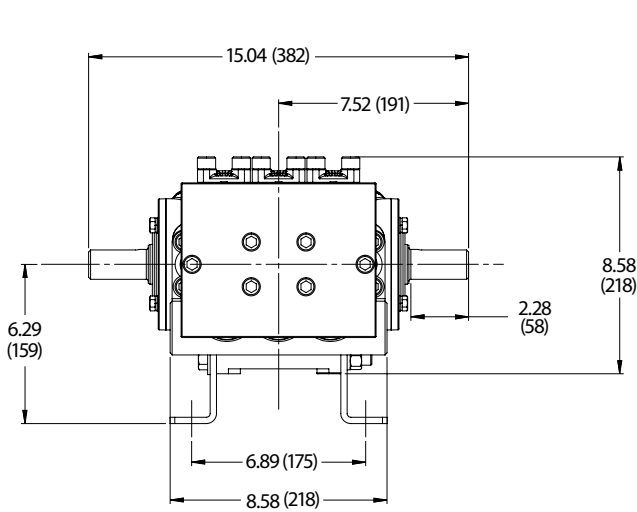
ITEM	PART NUMBER	MATL	PART NUMBER	MATL	DESCRIPTION	QTY
	2560, 2560BH		2565, 2565BH			
5	126544	STCP R	126544	STCP R	Screw, HHC Sems (M8 x 25) (See Tech Bulletin 074)	8
8	134966	ALE	134966	ALE	Cover, Bearing (Models 2560, 2565)	2
	134966	ALE	134966	ALE	Cover, Bearing (Models 2560BH, 2565BH)	1
10	27772	NBR	27772	NBR	O-Ring, Bearing Cover-70D	2
11	27771	NBR	27771	NBR	Seal, Oil, Crankshaft	2
15	26512	STL R	26512	STL R	Bearing, Ball	2
20	126809	BZ	126809	BZ	Assembly, Connecting Rod (Includes Item: 21) (See Tech Bulletin 074)	3
21	126562	STCP R	126562	STCP R	Washer, Locking (M10)	3
25	49795	FCM	49795	FCM	Crankshaft, Dual End (M38.5)	1
30	670012	AL	670012	AL	Cover, Bearing (Use Unpainted Cover For Models 2560BH, 2565BH Not Shown)	1
31	828710	PE	828710	PE	Protector, Oil Cap with Polyurethane Gasket	1
32	43211	ABS	43211	ABS	Cap, Oil Filler	1
33	14177	NBR	14177	NBR	O-Ring, Oil Filler Cap-70D	1
37	92241	PC	92241	PC	Gauge, Bubble, Oil with Gasket-80D (See Tech Bulletin 074)	1
38	44428	NBR	44428	NBR	Gasket, Flat, Oil Gauge-80D	1
39	27769	ABS	27769	ABS	Dipstick	1
40	126544	STCP R	126544	STCP R	Screw, HHC Sems (M8 x 25) (See Tech Bulletin 074)	8
43	129343	RBR	129343	RBR	Gasket, Dipstick	1
48	25625	STCP	25625	STCP	Plug, Drain (1/4" x 19 BSP)	1
49	23170	NBR	23170	NBR	O-Ring, Drain Plug-70D	1
50	133582	ALE	133582	ALE	Cover, Rear	1
51	27767	NBR	27767	NBR	O-Ring, Rear Cover-70D	1
53	133609	ALE	133609	ALE	Crankcase Assembly (Includes Item: 54)	1
54	27488	S	27488	S	Pin, Guide	2
56	27790	POP	27790	POP	Pan, Oil	1
57	22981	STCP R	22981	STCP R	Washer, Oil Pan	2
59	125824	STCP R	125824	STCP R	Screw, HHC Sems (M6 x 16)	2
64	27784	CM	27784	CM	Pin, Crosshead	3
65	134716	BZSS	134716	BZSS	Rod, Plunger	3
70	27785	NBR	27785	NBR	Seal, Oil, Crankcase	3
75	110669	S	110669	S	Slinger, Barrier	3
88	110670	S	110670	S	Washer, Keyhole	3
90	134986	CC	—	—	Plunger (M22 x 93)	3
	—	—	134968	CC	Plunger (M25 x 93)	3
95	126557	STCP R	126557	STCP R	Stud, Plunger Retainer (M7 x 71)	3
96	20184	PTFE	20184	PTFE	Backup Ring, Plunger Retainer	3
97	14190	NBR	14190	NBR	O-Ring, Plunger Retainer-70D	3
98	44069	SS	44069	SS	Gasket, Plunger Retainer	3
99	44068	SS	44068	SS	Retainer, Plunger (M7) (See Tech Bulletin 074)	3
100	49788	NY	49788	NY	Retainer, Seal (Front Ported)	3
	49789	NY	49789	NY	Retainer, Seal (Rear Ported)	3
101	134988	—	48487	—	Wick	3
106	49644	NBR	44086	NBR	Seal, LPS, with SS-Spring	3
107	48537	BB	48537	BB	Washer, LPS	3
110	134990	FBB	134970	FBB	Manifold, Inlet	1
112	11379	NBR	11379	NBR	O-Ring, Inlet Manifold-70D	3
117	88398	S	88398	S	Screw, HSH (M12 x 40) (See Tech Bulletin 074)	4
126	134991	BB	134971	BB	Adapter, Female	3
127	134992	SNG	134972	SNG	V-Packing	6
155	11442	NBR	11442	NBR	O-Ring, Spacer, V-Packing	3-6
156	23086	PTFE	23086	PTFE	Backup Ring, Spacer, V-Packing	3-6
157	134993	BB	134973	BB	Spacer, V-Packing	3
158	28675	PTFE	—	—	Backup Ring, Spacer, V-Packing	3
159	14200	NBR	—	—	O-Ring, Spacer, V-Packing-70D	3
160	49092	NBR	49092	NBR	O-Ring, Inlet Valve Seat-80D	3
161	49091	S	49091	NBR	Seat, Inlet	3
162	49088	PTFE	49088	PTFE	Backup Ring, Discharge Seat	3
163	49087	NBR	49087	NBR	O-Ring, Discharge Seat-70D	3
164	49086	S	49086	S	Seat, Discharge	3
165	49090	PVDF	49090	PVDF	Retainer, Inlet Spring	3
166	49089	S	49089	S	Valve	6
167	44109	SS	44109	SS	Spring	6
168	49085	PVDF	49085	PVDF	Retainer, Discharge Spring	3
172	18690	NBR	18690	NBR	O-Ring, Valve Plug-70D	3
173	20369	PTFE	20369	PTFE	Backup Ring, Valve Plug	3
174	134977	FBB	134977	FBB	Plug, Valve	3
175	89921	S	89921	S	Screw, HSH (M12 x 30) (See Tech Bulletin 074)	12
185	134975	BB	134975	BB	Manifold, Discharge	1
188	49045	S	49045	S	Screw, HSH (M12 x 95) (See Tech Bulletin 074)	6

Bold part numbers are unique to a particular pump model. *Italics are optional items.* R Components comply with RoHS Directive.

* Review material codes for individual items (SNG generally may be used as alternate). For additional technical information see www.catpumps.com/literature/tech-bulletins

MATERIAL CODES (Not Part of Part Number): ABS=ABS Plastic AL=Aluminum ALE=Aluminum Epoxy BB=Brass BZ=Bronze BZSS=Bronze/316SS CC=Ceramic CM=Chrome-Moly D=Acetal FBB=Forged Brass FCM=Forged Chrome-Moly NBR=Medium Nitrile (Buna-N) NY=Nylon PC=Poly Carbonate PE=Polyethylene POP=Polypropylene PTFE=Pure Polytetrafluoroethylene PVDF=Polyvinylidene Fluoride RBR=Rubber S=304SS SNG=Special Blend (Buna) STCP=Steel/Chrome Plated STL=Steel STZP=Steel/Zinc Plated

Optional Parts and Accessories and Service parts listed on Page 3. Standard and optional Seal Kits and Valve Kits listed on page 4.



SEAL KITS One (1) seal kit required per pump

PUMP MODELS	NBR (STD)
2560, 2560BH	76853*
2565, 2565BH	76854*

ITEM (Included in Seal Kits)	DESCRIPTION	QTY
97	14190 O-Ring, Plunger Retainer	3
106	49644 Seal, LPS with SS-Spring (2560, 2560BH)	3
	44086 Seal, LPS with SS-Spring (2565, 2565BH)	3
112	11379 O-Ring, Inlet Manifold	3
127	134992 V-Packing (2560, 2560BH)	6
	134972 V-Packing (2565, 2565BH)	6
155	11442 O-Ring, Spacer, V-Packing (2560, 2560BH)	3
	11442 O-Ring, Spacer, V-Packing (2565, 2565BH)	6
156	23086 Backup Ring, Spacer, V-Packing (2560, 2560BH)	3
	23086 Backup Ring, Spacer, V-Packing (2565, 2565BH)	6
158	28675 Backup Ring, Spacer, V-Packing (2560, 2560BH)	3
159	14200 O-Ring, Spacer, V-Packing (2560, 2560BH)	3

*Review material codes for individual items (SNG generally may be used as alternative)

VALVE KITS One (1) valve kit required per pump

PUMP MODELS	NBR (STD)
2560, 2560BH	31292
2565, 2565BH	

ITEM (Included in Valve Kits)	DESCRIPTION	QTY
160	49092 O-Ring, Inlet Valve Seat	3
161	49091 Seat, Inlet	3
162	49088 Backup Ring, Valve Seat	3
163	49087 O-Ring, Valve Seat	3
164	49086 Seat, Discharge	3
165	49090 Retainer, Inlet Spring	3
166	49089 Valve	6
167	44109 Spring	6
168	49085 Retainer, Discharge Spring	3
172	18690 O-Ring, Valve Plug	3
173	20369 Backup Ring, Valve Plug	3



PIJTTERSEN



Pijntersen B.V.
 Beneluxweg 33
 9636 HV Zuidbroek
 Tel.: +31(0)50-8200963

KvK 01013855
 BIC RABONL2U
 BTW NL002166811B01
 IBAN NL24 RABO 0353 2970 97