

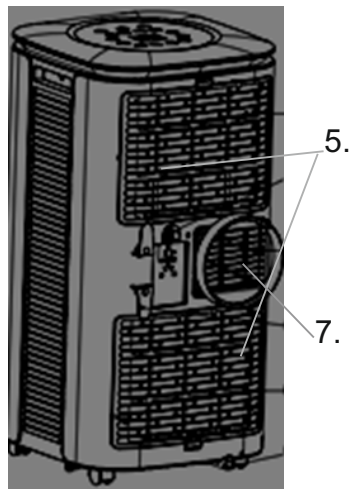
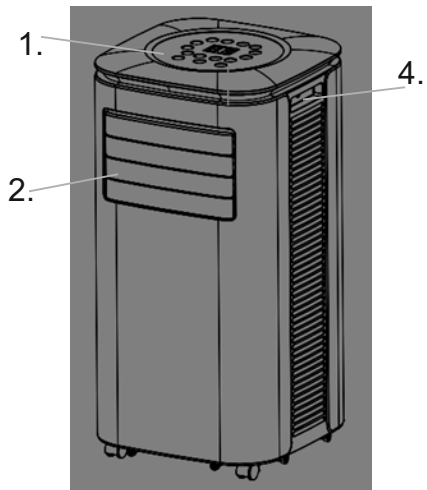
Camry

Premium

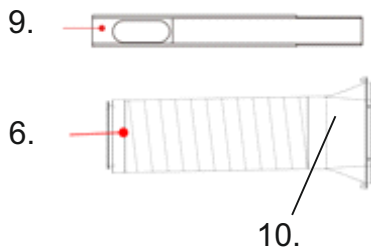
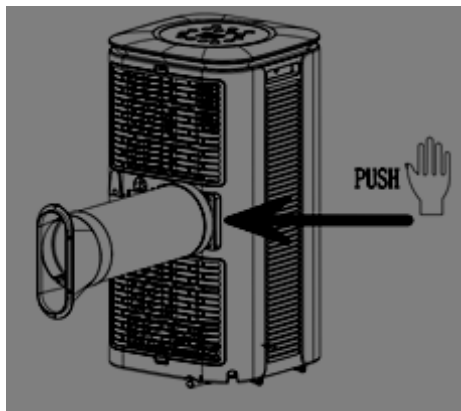


CR 7929

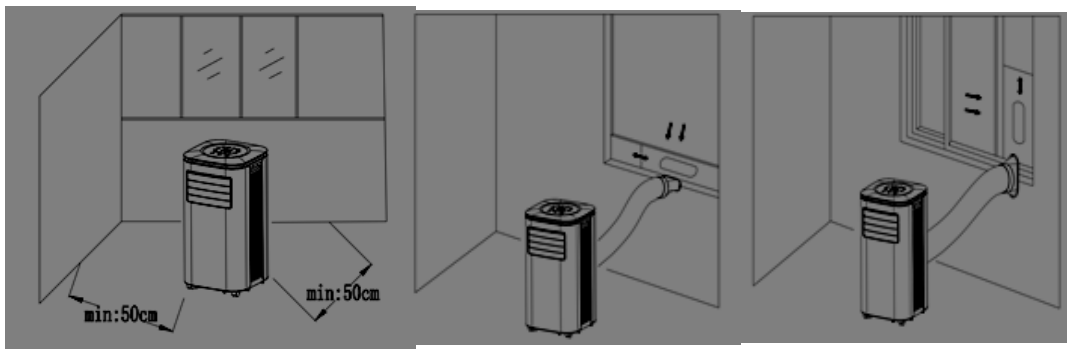
(GB) user manual - 4	(DE) bedienungsanweisung - 8
(FR) mode d'emploi - 13	(ES) manual de uso - 17
(PT) manual de serviço - 22	(LT) naudojimo instrukcija - 26
(LV) lietošanas instrukcija - 31	(EST) kasutusjuhend - 35
(HU) felhasználói kézikönyv - 47	(BS) upute za rad - 43
(RO) Instrucțiunea de deservire - 39	(CZ) návod k obsluze - 73
(RU) инструкция обслуживания - 56	(GR) οδηγίες χρήσεως - 82
(MK) упатство за корисникот - 106	(NL) handleiding - 87
(SL) navodila za uporabo - 69	(FI) manwal ng pagtuturo - 52
(PL) instrukcja obsługi - 115	(IT) istruzioni operative - 60
(HR) upute za uporabu - 65	(SV) instruktionsbok - 96
(DK) brugsanvisning - 78	(UA) інструкція з експлуатації - 100
(SR) Корисничко упутство - 91	(SK) Používateľská príručka - 108
(AR) دليل التعليمات - 121	(BG) Инструкция за употреба - 125



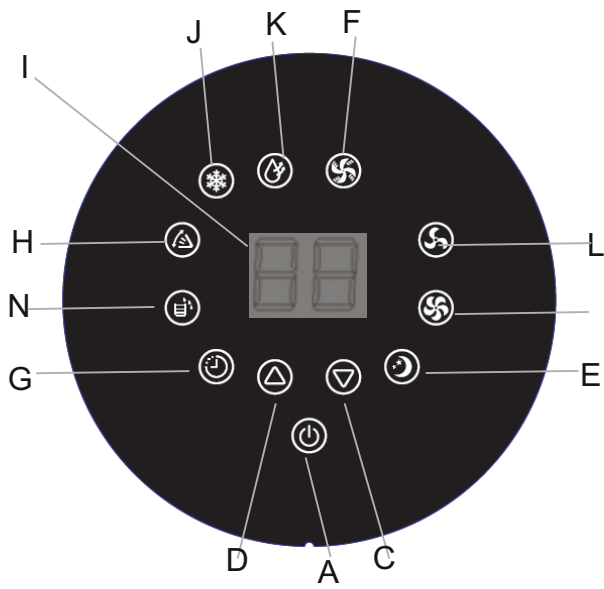
PICTURE A



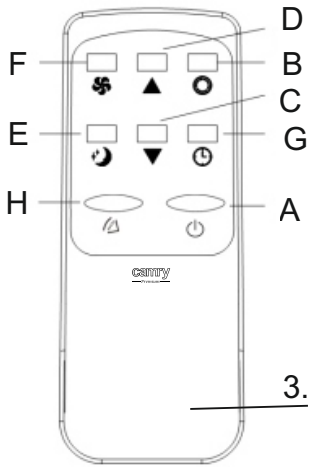
PICTURE B



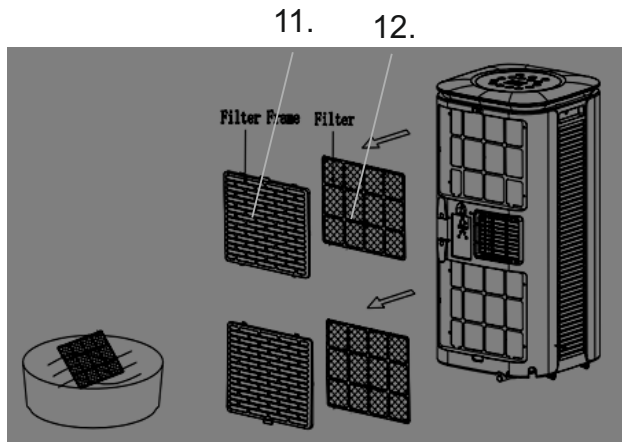
PICTURE C



PICTURE D



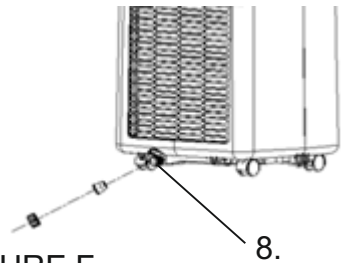
PICTURE E



PICTURE G



PICTURE F



SAFETY CONDITIONS. IMPORTANT INSTRUCTIONS ON SAFETY OF USE
PLEASE READ CAREFULLY AND KEEP FOR FUTURE REFERENCE

1. Before using the device, read the operating manual and follow the instructions contained in it. The manufacturer is not liable for damages caused by using the device contrary to its intended purpose or improper operation.
2. The device is for home use only. Do not use for other purposes that are not for its intended purpose.
3. The device should only be connected to an AC outlet with a grounded 220-240V ~ 50Hz. To increase operational safety, multiple electrical devices should not be connected to one current circuit at the same time.
4. Use extreme caution when using the device when children are nearby. Do not allow children to play with the device, do not allow children or people unfamiliar with the device to use it.
5. **WARNING:** This equipment may be used by children over 8 years of age and people with limited physical, sensory or mental ability, or people who have no experience or knowledge of the equipment, if this is done under the supervision of a person responsible for their safety or have been granted them information on the safe use of the device and are aware of the dangers of using it. Children should not play with the equipment. Cleaning and maintenance of the device should not be performed by children, unless they are over 8 years old and these activities are carried out under supervision.
6. Always disconnect the power plug by holding the socket with your hand after use. **DO NOT** pull on the power cord.
7. Do not immerse the cable, plug and the whole device in water or any other liquid. Do not expose the device to atmospheric conditions (rain, sun, etc.) or use in conditions of high humidity (bathrooms, damp mobile homes).
8. Periodically check the condition of the power cord. If the power cord is damaged, it should be replaced by a specialist repair shop to avoid danger.
9. Do not use the appliance with a damaged power cord or if it has been dropped or damaged in any other way or if it is not working properly. Do not repair the device yourself, as there is a risk of electric shock. Take the damaged device to an appropriate service center for checking or repair. All repairs may only be carried out by authorized service points. Incorrectly performed repairs can cause serious danger for the user.
10. Place the device on a cool, stable surface, away from hot kitchen appliances such as: electric stove, gas burner, etc.
11. Make sure that nothing is blocking the air inlet and outlet of the device
12. Use the device only on a level surface to prevent the condensation from spilling out
13. To provide additional protection, it is advisable to install a residual current device (RCD) in the electric circuit with a rated residual current not exceeding 30mA. Ask an electrician for this.

14. Clean the air filter regularly. The frequency of cleaning depends on the cleanliness of the air.
15. After turning off the machine, wait at least 5 minutes before turning it back on.
16. Do not use the device in sunny places. When the device overheats, the overheat protection will switch on the device.
17. To ensure effective cooling, a distance of at least 50 cm should be kept between the side walls of the device and the wall or furniture or curtains.
18. Due to the limited performance of the device, if the difference between the target temperature and the ambient temperature is too great, the target temperature may not be reached.
19. To reduce the risk of fire, electric shock or injury when using the air conditioner, observe the following basic precautions:
 - a) Connect to a grounded outlet with 3 pins.
 - b) Do not remove the grounding prong.
 - c) Do not use the adapter.
 - d) Do not use an extension cord.
 - e) Disconnect the air conditioner before servicing.
 - f) Use two or more people to move and install the air conditioner.
20. Do not use agents accelerating the defrosting or cleaning process other than those recommended by the manufacturer.
21. The device should be stored in a room without constantly operating sources of ignition, for example: open fire, gas appliances or electric heaters.

BEFORE FIRST USE

When moving the device make sure that it is in an upright position. Before using the air conditioner keep it upright for 2 hours at least.

Device Description - LOCAL AIR CONDITIONER CR7929 - Picture A

- | | |
|----------------------------------|---|
| 1. Control panel | 2. Cold air outlet |
| 3. Remote controller (picture E) | 4. Handle |
| 5. Air inlets | 6. Air exhaust pipe |
| 7. Exhaust connector | 8. Drain hole with rubber cap (picture F) |
| 9. Window exhaust adapter | 10. Connector of air exhaust pipe |
| 11. Filter's frame | 12. Nylon filter |
| 13. Drain plug | |

Control Panel Description - Picture D.

- A. Power button
- C. Temperature down / timer down button in cooling mode
- D. Temperature up / timer up button in cooling mode
- E. Sleep model button
- F. Fan mode button
- G. Timer button
- H. Automatic air oscillation button
- I. LED screen
- J. Cool mode button
- K. Dehumidifying button
- L. Slow fan speed button
- M. Fast fan speed button
- N. Water full indicator light

Remote controller – Picture E

- A. Power button
- B. Mode selection button

- C. Temperature / timer down button
- D. Temperature / timer up button
- E. Sleep mode button
- F. Fan speed selection button
- G. Timer button
- H. Air oscillation button

CONTROL PANEL manual operation – picture D

When the is powered on for the first time, the buzzer will shout, and then the device will get into standby status.

Press button "A" to turn on and turn off the device, the buzzer will play signal once.

MODE SELECTION on manual operation of control panel –

When the device is power on, choose mode you need between cooling mode or fan mode or dehumidifying mode as below:

Cooling mode -

- Press button "J" to select cooling mode, next press the button "L" to get slow fan speed button or press the button "M" to get fast fan speed button. Next press button "C" or "D" to adjust required temperature from 16°C to 31°C, buttons are not available in fan or dehumidifying mode.

Fan mode -

- Press button "F" to select fan mode, the LCD screen will show "FA", next press the button "L" to get slow fan speed button or press the button "M" to get fast fan speed button. During fan mode operation the temperature and sleeping functions cannot be setup.

Dehumidifying mode –

- Press button "K" to select dehumidifying mode, the LCD screen will show "dh". Under dehumidifying mode, sleep mode cannot be setup, and fan speed is fixed on slow fan speed automatically and cannot be changed. In order to switch off the dehumidifying mode select other operation mode: cooling or fan mode. The function of drain plug (13) is to drain the condensate water from the device's upper part. Its use is determined according to the local air humidity. It is need to open the drain plug (13) and pour out the condensate water if the device operates when local air humidity is high or the device operates on dehumidification mode continuously for 12-24 hours continuously. In dry cooling mode (low air humidity) it is not necessary to open the drain plug (13) because there is no need to drain the condensate.

Timer set up -

- When the device is not working, press button "G", the LCD screen flashes, press the button "C" or "D" to set up the quantity of hours after the device will start to operate. The LCD screen stops flashing and timer icon will be illuminated.

- When the device is working, press button "G", the LCD screen flashes, press the button "C" or "D" to set up the quantity of hours need to pass before the device will shut off automatically. The LCD screen stops flashing, the timer icon will be illuminated, LCD screen shows required to achieve temperature. This is a delayed start function.

Timer operation range can be fixed by each one hour from 1 to 24 hours.

Sleep mode –

- At first Press button "J" to cooling mode, next press button "E" to turn on the sleep mode, then the device will work on Energy-Saving and quiet type.

- Next press button "C" or "D" to adjust required temperature from 16°C to 31°C.

- The sleep mode is automatically programmed. After the first hour of operation, the temperature will increase by 1 °C, after the second hour of operation, the temperature will increase by another 1 °C, and then remain at the same level.

- Press button "E" again to cancel sleep mode.

NOTE: Sleep mode is not available in dehumidify and fan modes.

Water full -

The water full indicator lamp "N" will be illuminated and the buzzer will alarm for several second, then the compressor will stop to work when the inner device water tank will be full.

Automatic air oscillation function –

Press an air oscillation button (H), after the device turns on, automatic air oscillation function turns on, the louver will swing continuously the left and the right; by pressing the button again the movement will stop and the louver remain in that position.

The radius of horizontal air oscillation is 30 degrees left and 30 degrees right direction from the middle vertical.

REMOTE CONTROLLER operation – picture E

The remote controller transmits signals to the system.

Button "A" - the device will be started when it is energized or will be stopped, if you press this button again.

Button "B" - press it to select operation mode: cool mode → dry mode → fan mode.

Button "C" / "D" - press to set up the operation time from 1 to 24 hours or required room temperature from 15 to 31°C when cooling mode is

switched on.

Button "E" - press it to set up or cancel sleep mode.

Button "F" - press it to select fan speed in sequence: slow / fast wind speed.

Button "G" - press it to set up or cancel timer.

Button "H" - press to set up or cancel automatic air oscillation function.

PROTECTION DEVICES

1.Compressor protection: Three minutes later after power on / restart, compressor starts to run.

2.Overflow protection function: when the water full indicator lamp "N" will be illuminated and the buzzer will alarm for several second, the device turn off automatically. In this case, you need to drainage the water (details see Drainage Instructions at the end of this chapter). After the water is emptied, the device will get into standby status.

3. Frost Protection Function: In cooling mode, if the temperature of the EVA pipe sensor is too low, the device will automatically enter protection status. When the temperature of the EVA pipe sensor rises to a certain temperature, it can automatically revert to normal operation.

DRAINAGE INSTRUCTIONS:

This device is equipped in auto-water-evaporating system. Condensed water cycle will cool down the condenser, which will not only improve cooling efficiency, but also save energy.

1. If inner water tank is full, the water full indicator lamp "N" will be illuminated, the device enter into standby mode, buzzer shouts, compressor stops and all buttons is invalid till the device recovers to be normal, after water drainage.

2. Power off the device.

3. Prepare flat container (not included to set) to drain the water. Locate it under the drain hole (8)

3. Remove the rubber cap from the drain hole (8) – picture F.

4. During drainage, the body can be tilted slightly backwards.

5. After water stops to pouring out, close the rubber cap (8).

6. Restart the device, the device will runs normally.

CLEANING & MAINTENANCE

Cleaning: before cleaning and maintenance, turn off the device and unplug the plug.

a) Housing cleaning

Clean with surface of device with a wet soft cloth. Don't use chemicals, such as benzene, alcohol, gasoline, otherwise, the surface of the device will be damaged or even the whole device will be damaged.

b) Net nylon filters cleaning

If nylon filter (12) is clogged with dust, then the effectiveness of the device is reduced, be sure to clean the filter once every two weeks.

- Force down from the outside the latch of filter frame (11) with hands and pull out to yourself to remove the filter frame(11).

- Clean the upper and down filters frame (11) after remove both nylon filters (12) from the filter frame(11). – picture G.

- Put nylon filter (11) into warm water with neutral detergent (about 40°C / 104°F) and dry it in the shade after rinsing clean.

STORAGE

If the device will be unused for a long time, please do as following :

1.Pull out drainage plug (8) to flow out water.

2.Let the device runs under fan mode for 2 hours to dry out the device's internal.

3.Turn off the device and pull out plug .

4.Clean and dry filters, then reinstall them.

5.Pull out exhaust pipe for safe keeping .

6.Put the device into plastic bag , and place it on a dry place.

7.Remove batteries of the remote control and keep them properly.

Storage the device and all device components in dry place.

TROUBLESHOOTING

Problem I.: The air conditioning does not work.

Reason 1:There is no electricity. So, turn it on after connecting it to a socket with electricity.

Reason 2: The water full indicator light "N" is illuminated. So, discharge the water.

Problem II.: The device auto-restarts frequently.

Reason1: Direct sunlight. So, drawn the curtains.

Reason 2: Door and windows are open , many heat sources in the room. So, close the door and windows, move out heat sources.

Reason 3: Filters are too dirty. So, clean or replace filters.

Reason 4: Air-inlet or air out-let is blocked. So, remove blockage.

Problem III.: Big Noise

Reason: The device is not placed on a flat surface. So, put the device on a flat and hard place to reduce noise.

Problem IV.: Compressor does not work.

Reason: Compressor time-delay protection turn on. So, wait for 3 minutes until the temperature is lowered, and then restart the device.

Note: when abnormal situations are occurred, turn off device and pull out plug, then contact with professional service for help .

Do not repair the device yourself. Not qualified repair will void the warranty.

TECHNICAL DATA:

Cooling capacity at BTU: 9000 BTU / hour
Cooling capacity in watts: 2640W
Energy consumption (cooling) in watts: 1010 W
Noise level: <= 65dB
Air flow: 350 m³ / hour
Energy class: A
Drying capacity: 24 liters / 24 hours
Cooling agent: R290 210 grammes



Caution, risk of fire.
Do NOT pierce or burn.
Be aware that the refrigerant may not contain an odour.



To protect your environment: please separate carton boxes and plastic bags and dispose them in corresponding waste bins. Used appliance should be delivered to the dedicated collecting points due to hazardous components, which may affect the environment. Do not dispose this appliance in the common waste bin.

DEUTSCH

ALLGEMEINE SICHERHEITSVORSCHRIFTEN WICHTIGE SICHERHEITSHINWEISE SORGFÄLTIG DURCHLESEN UND FÜR DIE ZUKUNFT AUFBEWAHREN

1. Lesen Sie vor dem Gebrauch des Geräts die Bedienungsanleitung und befolgen Sie die darin enthaltenen Anweisungen. Der Hersteller haftet nicht für Schäden, die durch nicht bestimmungsgemäßen Gebrauch oder unsachgemäßen Betrieb des Gerätes verursacht werden.
2. Das Gerät ist nur für den Heimgebrauch bestimmt. Verwenden Sie es nicht für andere Zwecke, die nicht für den vorgesehenen Zweck bestimmt sind.
3. Das Gerät darf nur an eine Netzsteckdose mit 220-240 V ~ 50 Hz angeschlossen werden. Um die Betriebssicherheit zu erhöhen, sollten nicht mehrere elektrische Geräte gleichzeitig an einen Stromkreis angeschlossen werden.
4. Seien Sie äußerst vorsichtig, wenn Sie das Gerät in der Nähe von Kindern verwenden. Erlauben Sie Kindern nicht, mit dem Gerät zu spielen. Erlauben Sie Kindern oder Personen, die mit dem Gerät nicht vertraut sind, nicht, es zu benutzen.
5. **WARNUNG:** Dieses Gerät darf von Kindern über 8 Jahren und Personen mit eingeschränkten körperlichen, sensorischen oder geistigen Fähigkeiten oder Personen ohne Erfahrung oder Kenntnis des Geräts verwendet werden, wenn dies unter Aufsicht einer verantwortlichen Person erfolgt zu ihrer Sicherheit oder ihnen wurden Informationen über den sicheren Gebrauch des Geräts erteilt, und sie sind sich der Gefahren bei der Verwendung des Geräts bewusst. Kinder sollten nicht mit dem Gerät spielen. Die Reinigung und Wartung des Geräts darf nur von Kindern durchgeführt werden, die älter als 8 Jahre sind und diese Tätigkeiten unter Aufsicht ausführen.
6. Ziehen Sie nach dem Gebrauch immer den Netzstecker, indem Sie die Steckdose mit der Hand festhalten. NICHT am Netzkabel ziehen.
7. Tauchen Sie das Kabel, den Stecker und das gesamte Gerät nicht in Wasser oder andere Flüssigkeiten. Setzen Sie das Gerät keinen atmosphärischen Bedingungen aus (Regen, Sonne usw.) und verwenden Sie es nicht bei hoher Luftfeuchtigkeit (Badezimmer, feuchte Mobilheime).
8. Überprüfen Sie regelmäßig den Zustand des Netzkabels. Wenn das Netzkabel beschädigt

- ist, sollte es von einer Fachwerkstatt ausgetauscht werden, um Gefahren zu vermeiden.
9. Verwenden Sie das Gerät nicht mit einem beschädigten Netzkabel oder wenn es fallen gelassen oder auf andere Weise beschädigt wurde oder wenn es nicht richtig funktioniert. Reparieren Sie das Gerät nicht selbst, da die Gefahr eines Stromschlags besteht. Bringen Sie das beschädigte Gerät zur Überprüfung oder Reparatur zu einem geeigneten Servicecenter. Alle Reparaturen dürfen nur von autorisierten Servicestellen durchgeführt werden. Durch unsachgemäße Reparaturen können ernsthafte Gefahren für den Benutzer entstehen.
10. Stellen Sie das Gerät auf eine kühle, stabile Oberfläche, entfernt von heißen Küchengeräten wie Elektroherd, Gasbrenner usw..
11. Stellen Sie sicher, dass nichts den Lufteinlass und -auslass des Geräts blockiert
12. Verwenden Sie das Gerät nur auf einer ebenen Fläche, damit kein Kondenswasser austreten kann
13. Um einen zusätzlichen Schutz zu gewährleisten, wird empfohlen, im Stromkreis einen Fehlerstromschutzschalter (RCD) mit einem Bemessungsfehlerstrom von nicht mehr als 30 mA zu installieren. Bitten Sie einen Elektriker darum.
14. Reinigen Sie den Luftfilter regelmäßig. Die Häufigkeit der Reinigung hängt von der Luftreinheit ab.
15. Warten Sie nach dem Ausschalten des Geräts mindestens 5 Minuten, bevor Sie es wieder einschalten.
16. Verwenden Sie das Gerät nicht an sonnigen Orten. Wenn das Gerät überhitzt, schaltet der Überhitzungsschutz das Gerät ein.
17. Um eine effektive Kühlung zu gewährleisten, sollte ein Abstand von mindestens 50 cm zwischen den Seitenwänden des Geräts und der Wand oder den Möbeln oder Vorhängen eingehalten werden.
18. Aufgrund der eingeschränkten Leistung des Geräts wird die Zieltemperatur möglicherweise nicht erreicht, wenn der Unterschied zwischen der Zieltemperatur und der Umgebungstemperatur zu groß ist.
19. Beachten Sie die folgenden grundlegenden Vorsichtsmaßnahmen, um die Gefahr von Bränden, Stromschlägen oder Verletzungen bei der Verwendung der Klimaanlage zu verringern:
- a) An eine geerdete Steckdose mit 3 Stiften anschließen.
 - b) Entfernen Sie nicht den Erdungsstift.
 - c) Verwenden Sie den Adapter nicht.
 - d) Verwenden Sie kein Verlängerungskabel.
 - e) Trennen Sie die Klimaanlage vor Wartungsarbeiten vom Stromnetz.
 - f) Verwenden Sie zwei oder mehr Personen, um die Klimaanlage zu bewegen und zu installieren.
20. Verwenden Sie keine anderen Mittel, die den Auftau- oder Reinigungsprozess beschleunigen, als die vom Hersteller empfohlenen.
21. Das Gerät sollte in einem Raum ohne ständig in Betrieb befindliche Zündquellen gelagert

werden, zum Beispiel: offenes Feuer, Gasgeräte oder elektrische Heizungen.

VOR DEM ERSTEN GEBRAUCH

Stellen Sie beim Bewegen des Geräts sicher, dass es sich in einer aufrechten Position befindet. Halten Sie die Klimaanlage vor der Verwendung mindestens 2 Stunden lang aufrecht.

Gerätebeschreibung - LOKALER KLIMAAANLAGE CR7929 - Bild A.

- | | |
|---------------------------|---------------------------------------|
| 1. Bedienfeld | 2. Kaltluftaustritt |
| 3. Fernbedienung (Bild E) | 4. Griff |
| 5. Lufteinlässe | 6. Luftauslassrohr |
| 7. Abgasanschluss | 8. Ablassloch mit Gummikappe (Bild F) |
| 9. Fensterauslassadapter | 10. Anschluss des Luftauslassrohrs |
| 11. Filterrahmen | 12. Nylonfilter |
| 13. Ablassschraube | |

Beschreibung des Bedienfelds - Bild D.

- A. Netzschalter
- C. Taste Temperatur runter / Timer runter im Kühlmodus
- D. Temperatur-Auf / Timer-Auf-Taste im Kühlmodus
- E. Schlafmodell-Taste
- F. Lüftermodus-Taste
- G. Timer-Taste
- H. Taste für automatische Luftschwingung
- I. LED-Bildschirm
- J. Taste für den Kühlmodus
- K. Entfeuchtungsknopf
- L. Taste für langsame Lüftergeschwindigkeit
- M. Schnelle Lüftergeschwindigkeitstaste
- N. Kontrollleuchte für volles Wasser

Fernbedienung - Bild E.

- A. Netzschalter
- B. Moduswahl Taste
- C. Temperatur- / Timer-Taste
- D. Temperatur- / Timer-Taste
- E. Schlafmodus-Taste
- F. Auswahl Taste für die Lüftergeschwindigkeit
- G. Timer-Taste
- H. Luftschwingungsknopf

Bedienung des Bedienfelds - Bild D.

Wenn das Gerät zum ersten Mal eingeschaltet wird, ertönt der Summer und das Gerät wechselt in den Standby-Status.

Drücken Sie die Taste „A“, um das Gerät ein- und auszuschalten. Der Summer gibt das Signal einmal ab.

MODUSWAHL bei manueller Bedienung des Bedienfelds -

Wenn das Gerät eingeschaltet ist, wählen Sie den gewünschten Modus zwischen Kühlmodus oder Lüftermodus oder Entfeuchtungsmodus wie folgt:

Kühlmodus -

- Drücken Sie die Taste „J“, um den Kühlmodus auszuwählen. Drücken Sie anschließend die Taste „L“, um die Taste für langsame Lüftergeschwindigkeit zu erhalten, oder drücken Sie die Taste „M“, um die Taste für schnelle Lüftergeschwindigkeit zu erhalten. Drücken Sie anschließend die Tasten „C“ oder „D“, um die erforderliche Temperatur von 16 ° C bis 31 ° C einzustellen. Die Tasten sind im Lüfter- oder Entfeuchtungsmodus nicht verfügbar.

Gebälsemodus -

- Drücken Sie die Taste „F“, um den Lüftermodus auszuwählen. Auf dem LCD-Bildschirm wird „FA“ angezeigt. Drücken Sie anschließend die Taste „L“, um die Taste für langsame Lüftergeschwindigkeit zu erhalten, oder drücken Sie die Taste „M“, um die Taste für die schnelle Lüftergeschwindigkeit zu erhalten. Während des Lüftermodus können die Temperatur- und Schlaffunktionen nicht eingestellt werden.

Entfeuchtungsmodus -

- Drücken Sie die Taste „K“, um den Entfeuchtungsmodus auszuwählen. Auf dem LCD-Bildschirm wird „dh“ angezeigt. Im Entfeuchtungsmodus kann der Ruhemodus nicht eingerichtet werden, und die Lüftergeschwindigkeit wird automatisch auf langsame Lüftergeschwindigkeit festgelegt und kann nicht geändert werden. Um den Entfeuchtungsmodus auszuschalten, wählen Sie einen anderen

Betriebsmodus: Kühl- oder Lüftermodus. Die Ablassschraube (13) hat die Funktion, das Kondenswasser aus dem Geräteoberteil abzulassen. Die Verwendung richtet sich nach der lokalen Luftfeuchtigkeit. Es ist notwendig, die Ablassschraube (13) zu öffnen und das Kondenswasser auszugießen, wenn das Gerät bei hoher lokaler Luftfeuchtigkeit betrieben wird oder das Gerät 12-24 Stunden im Entfeuchtungsmodus kontinuierlich arbeitet. Im Trockenkühlbetrieb (niedrige Luftfeuchtigkeit) muss die Ablassschraube (13) nicht geöffnet werden, da das Kondensat nicht abgelassen werden muss.

Timer eingerichtet -

- Wenn das Gerät nicht funktioniert, drücken Sie die Taste „G“. Der LCD-Bildschirm blinkt. Drücken Sie die Taste „C“ oder „D“, um die Anzahl der Stunden nach Inbetriebnahme des Geräts festzulegen. Der LCD-Bildschirm hört auf zu blinken und das Timer-Symbol leuchtet auf.

- Wenn das Gerät arbeitet, drücken Sie die Taste „G“. Der LCD-Bildschirm blinkt. Drücken Sie die Taste „C“ oder „D“, um die Anzahl der Stunden festzulegen, die vergehen müssen, bevor das Gerät automatisch ausgeschaltet wird. Der LCD-Bildschirm hört auf zu blinken, das Timer-Symbol leuchtet auf und der LCD-Bildschirm zeigt die zum Erreichen der Temperatur erforderlichen Werte an. Dies ist eine verzögerte Startfunktion.

Der Timer-Betriebsbereich kann stündlich von 1 bis 24 Stunden festgelegt werden.

Schlafmodus -

- Drücken Sie zuerst die Taste „J“, um den Kühlmodus zu aktivieren, und drücken Sie anschließend die Taste „E“, um den Ruhemodus einzuschalten. Anschließend arbeitet das Gerät im Energiespar- und leisen Modus.

- Drücken Sie anschließend die Taste „C“ oder „D“, um die gewünschte Temperatur von 16 ° C bis 31 ° C einzustellen.

- Der Schlafmodus wird automatisch programmiert. Nach der ersten Betriebsstunde steigt die Temperatur um 1 ° C, nach der zweiten Betriebsstunde steigt die Temperatur um weitere 1 ° C und bleibt dann auf dem gleichen Niveau.

- Drücken Sie erneut die Taste „E“, um den Ruhemodus abzubrechen.

HINWEIS: Der Ruhemodus ist im Entfeuchtungs- und Lüftermodus nicht verfügbar.

Wasser voll -

Die Kontrollleuchte für volles Wasser „N“ leuchtet auf und der Summer ertönt einige Sekunden lang. Dann hört der Kompressor auf zu arbeiten, wenn der Wassertank des inneren Geräts voll ist.

Automatische Luftoszillationsfunktion -

Drücken Sie eine Luftoszillationstaste (H). Nach dem Einschalten des Geräts und der automatischen Luftoszillationsfunktion schwingt die Luftklappe kontinuierlich nach links und rechts. Durch erneutes Drücken der Taste wird die Bewegung gestoppt und die Luftklappe bleibt in dieser Position.

Der Radius der horizontalen Luftschwingung beträgt 30 Grad nach links und 30 Grad nach rechts von der mittleren Vertikalen.

FERNBEDIENUNG - Bild E.

Die Fernbedienung sendet Signale an das System.

Taste "A" - Das Gerät wird beim Einschalten gestartet oder gestoppt, wenn Sie diese Taste erneut drücken.

Taste "B" - Drücken Sie diese Taste, um den Betriebsmodus auszuwählen: Kühlmodus → Trockenmodus → Lüftermodus.

Taste "C" / "D" - Drücken Sie diese Taste, um die Betriebszeit von 1 bis 24 Stunden oder die erforderliche Raumtemperatur von 15 bis 31 ° C einzustellen, wenn der Kühlmodus eingeschaltet ist.

Taste "E" - Drücken Sie diese Taste, um den Schlafmodus einzurichten oder abzubrechen.

Taste "F" - Drücken Sie diese Taste, um die Lüftergeschwindigkeit nacheinander auszuwählen: langsame / schnelle Windgeschwindigkeit.

Taste "G" - Drücken Sie diese Taste, um den Timer einzurichten oder abzubrechen.

Taste "H" - Drücken Sie diese Taste, um die automatische Luftoszillationsfunktion einzurichten oder abzubrechen.

SCHUTZGERÄTE

1. Kompressorschutz: Drei Minuten später nach dem Einschalten / Neustart beginnt der Kompressor zu laufen.

2. Überlaufschutzfunktion: Wenn die Kontrollleuchte „N“ für Wasser voll leuchtet und der Summer einige Sekunden lang alarmiert, schaltet sich das Gerät automatisch aus. In diesem Fall müssen Sie das Wasser ablassen (Details siehe Anweisungen zum Ablassen am Ende dieses Kapitels). Nach dem Entleeren des Wassers wird das Gerät in den Standby-Status versetzt.

3. Frostschutzfunktion: Wenn die Temperatur des EVA-Rohrsensors im Kühlmodus zu niedrig ist, wechselt das Gerät automatisch in den Schutzstatus. Wenn die Temperatur des EVA-Rohrsensors auf eine bestimmte Temperatur ansteigt, kann er automatisch zum normalen Betrieb zurückkehren. in dieser Position.

Der Radius der horizontalen Luftschwingung beträgt 30 Grad nach links und 30 Grad nach rechts von der mittleren Vertikalen.

ENTWÄSSERUNGSANLEITUNG:

Dieses Gerät ist mit einem automatischen Wasserverdampfungssystem ausgestattet. Der Kondenswasserkreislauf kühlt den Kondensator ab, wodurch nicht nur die Kühleffizienz verbessert, sondern auch Energie gespart wird.

1. Wenn der innere Wassertank voll ist, leuchtet die Kontrollleuchte „N“ für volles Wasser auf, das Gerät wechselt in den Standby-Modus, der Summer ertönt, der Kompressor stoppt und alle Tasten sind ungültig, bis das Gerät nach dem Ablassen des Wassers wieder normal ist.

2. Schalten Sie das Gerät aus.

3. Bereiten Sie einen flachen Behälter (nicht im Lieferumfang enthalten) vor, um das Wasser abzulassen. Suchen Sie es unter dem Abflussloch (8).

3. Entfernen Sie die Gummikappe vom Abflussloch (8) - Bild F.
4. Während der Entwässerung kann der Körper leicht nach hinten gekippt werden.
5. Schließen Sie die Gummikappe (8), nachdem das Wasser nicht mehr ausgegossen ist.
6. Starten Sie das Gerät neu. Das Gerät läuft normal.

REINIGUNG & WARTUNG

Reinigung: Schalten Sie das Gerät vor der Reinigung und Wartung aus und ziehen Sie den Stecker ab.

a) Wohnungsreinigung

Reinigen Sie die Oberfläche des Geräts mit einem feuchten, weichen Tuch. Verwenden Sie keine Chemikalien wie Benzol, Alkohol oder Benzin, da sonst die Oberfläche des Geräts oder sogar das gesamte Gerät beschädigt wird.

b) Reinigung der Netznylonfilter

Wenn der Nylonfilter (12) durch Staub verstopft ist, verringert sich die Wirksamkeit des Geräts. Reinigen Sie den Filter alle zwei Wochen.

- Drücken Sie die Verriegelung des Filterrahmens (11) mit den Händen von außen nach unten und ziehen Sie sie heraus, um den Filterrahmen (11) zu entfernen.

- Reinigen Sie den oberen und unteren Filterrahmen (11), nachdem Sie beide Nylonfilter (12) vom Filterrahmen (11) entfernt haben. - Bild G.

- Nylonfilter (11) mit neutralem Reinigungsmittel (ca. 40 °C / 104 °F) in warmes Wasser geben und nach dem Spülen im Schatten trocknen.

LAGER

Wenn das Gerät längere Zeit nicht verwendet wird, gehen Sie wie folgt vor:

1. Abflussschraube (8) herausziehen, um Wasser abzulassen.
 2. Lassen Sie das Gerät 2 Stunden lang im Lüftermodus laufen, um das interne Gerät auszutrocknen.
 3. Schalten Sie das Gerät aus und ziehen Sie den Stecker heraus.
 4. Reinigen und trocknen Sie die Filter und installieren Sie sie erneut.
 5. Auspuffrohr zur sicheren Aufbewahrung herausziehen.
 6. Legen Sie das Gerät in eine Plastiktüte und stellen Sie es an einen trockenen Ort.
 7. Entfernen Sie die Batterien der Fernbedienung und bewahren Sie sie ordnungsgemäß auf.
- Lagern Sie das Gerät und alle Gerätekomponenten an einem trockenen Ort.

FEHLERBEHEBUNG

Problem I.: Die Klimaanlage funktioniert nicht.

Grund 1: Es gibt keinen Strom. Schalten Sie es also ein, nachdem Sie es an eine Steckdose mit Strom angeschlossen haben.

Grund 2: Die Wasserfüllanzeige „N“ leuchtet. Also das Wasser ablassen.

Problem II.: Das Gerät wird häufig automatisch neu gestartet.

Grund 1: Direktes Sonnenlicht. Also die Vorhänge zugezogen.

Grund 2: Tür und Fenster sind offen, viele Wärmequellen im Raum. Schließen Sie also die Tür und die Fenster und entfernen Sie die Wärmequellen.

Grund 3: Filter sind zu verschmutzt. Reinigen oder ersetzen Sie die Filter.

Grund 4: Lufteinlass oder Luftaustritt ist blockiert. Entfernen Sie also die Blockade.

Problem III.: Großes Rauschen

Grund: Das Gerät steht nicht auf einer ebenen Fläche. Stellen Sie das Gerät also an einem flachen und harten Ort auf, um Geräusche zu reduzieren.

Problem IV.: Kompressor funktioniert nicht.

Grund: Der Zeitverzögerungsschutz des Kompressors wird aktiviert. Warten Sie also 3 Minuten, bis die Temperatur gesunken ist, und starten Sie das Gerät dann neu.

Hinweis: Wenn ungewöhnliche Situationen auftreten, schalten Sie das Gerät aus und dann an den professionellen Kundendienst, um Hilfe zu erhalten.

Reparieren Sie das Gerät nicht selbst. Bei nicht qualifizierter Reparatur erlischt die C

se sich



Vorsicht, Brandgefahr.

NICHT durchstechen oder verbrennen.

Beachten Sie, dass das Kältemittel möglicherweise keinen Geruch enthält.

TECHNISCHE DATEN:

Kühlleistung bei BTU: 9000 BTU / Stunde

Kühlleistung in Watt: 2640W

Energieverbrauch (Kühlung) in Watt: 1010 W.

Geräuschpegel: <= 65 dB

Luftstrom: 350 m³ / Stunde

Energieklasse: A.

Trocknungskapazität: 24 Liter / 24 Stunden

Kühlmittel: R290 210 Gramm



Den Pappkarton im Altpapier entsorgen. Polyäthylenbeutel (PE) in dem Behälter für Kunststoff entsorgen. Das abgenutzte Gerät zum Recycling zu einer offiziellen Sammelstelle bringen, da es gefährliche Substanzen enthält, die die Umwelt gefährden können. Das Gerät sollte in einer Form abgegeben werden, die eine weitere Nutzung unmöglich macht. Wenn es Batterien enthält, sollten diese rausgenommen und separat an einer Sammelstelle abgegeben werden. Das Gerät darf nicht in den Hausmüll rausgeworfen werden!!

CONDITIONS GENERALES DE SECURITE
INSTRUCTIONS DE SÉCURITÉ IMPORTANTES À LIRE ATTENTIVEMENT ET À
CONSERVER POUR L'AVENIR

1. Avant d'utiliser l'appareil, lisez le mode d'emploi et suivez les instructions qu'il contient. Le fabricant n'est pas responsable des dommages résultant de l'utilisation contraire de l'appareil ou de son utilisation incorrecte.
2. L'appareil est réservé à un usage domestique. Ne pas utiliser à d'autres fins que celles prévues.
3. L'appareil ne doit être branché qu'à une prise secteur avec une tension de 220 240V ~ 50Hz mise à la terre. Pour augmenter la sécurité de fonctionnement, plusieurs appareils électriques ne doivent pas être connectés à un circuit de courant en même temps.
4. Soyez extrêmement prudent lorsque vous utilisez l'appareil lorsque des enfants se trouvent à proximité. Ne laissez pas les enfants jouer avec l'appareil, n'autorisez pas les enfants ou des personnes inconnus à l'utiliser.
5. AVERTISSEMENT: Cet équipement peut être utilisé par des enfants de plus de 8 ans et des personnes ayant des capacités physiques, sensorielles ou mentales limitées, ou des personnes qui n'ont aucune expérience ou connaissance de l'équipement, si cela est fait sous la supervision d'une personne responsable. Pour leur sécurité ou leur ont été donnés des informations sur l'utilisation en toute sécurité de l'appareil et sont conscients des dangers de son utilisation. Les enfants ne doivent pas jouer avec l'équipement. Le nettoyage et l'entretien de l'appareil ne doivent pas être effectués par des enfants, sauf s'ils ont plus de 8 ans et que ces activités sont effectuées sous surveillance.
6. Débranchez toujours le cordon d'alimentation en tenant la prise avec votre main après utilisation. NE tirez PAS sur le cordon d'alimentation.
7. N'immergez pas le câble, la fiche et l'appareil dans l'eau ou tout autre liquide. N'exposez pas l'appareil à des conditions atmosphériques (pluie, soleil, etc.) et ne l'utilisez pas dans des conditions d'humidité élevée (salles de bains, maisons mobiles humides).
8. Vérifiez périodiquement l'état du cordon d'alimentation. Si le cordon d'alimentation est endommagé, il doit être remplacé par un atelier spécialisé afin d'éviter tout danger.
9. N'utilisez pas l'appareil avec un cordon d'alimentation endommagé, s'il est tombé ou s'il a été endommagé d'une autre manière ou s'il ne fonctionne pas correctement. Ne réparez pas l'appareil vous-même, vous risqueriez de vous électrocuter. Apportez le périphérique endommagé à un centre de service approprié pour vérification ou réparation. Toutes les réparations ne peuvent être effectuées que par des points de service autorisés. Des réparations effectuées incorrectement peuvent entraîner un grave danger pour l'utilisateur.
10. Placez l'appareil sur une surface fraîche et stable, loin des appareils de cuisine chauds tels que: cuisinière électrique, brûleur à gaz, etc.
11. Assurez-vous que rien ne bloque l'entrée et la sortie d'air de l'appareil.
12. Utilisez l'appareil uniquement sur une surface plane afin d'empêcher la condensation de se répandre

13. Pour assurer une protection supplémentaire, il est conseillé d'installer un dispositif à courant différentiel résiduel (RCD) dans le circuit électrique avec un courant résiduel nominal ne dépassant pas 30 mA. Demandez à un électricien pour cela.
14. Nettoyez le filtre à air régulièrement. La fréquence de nettoyage dépend de la propreté de l'air.
15. Après avoir éteint la machine, attendez au moins 5 minutes avant de la rallumer.
16. N'utilisez pas l'appareil dans des endroits ensoleillés. Lorsque l'appareil surchauffe, la protection contre la surchauffe allumera l'appareil.
17. Pour assurer un refroidissement efficace, une distance minimale de 50 cm doit être respectée entre les parois latérales de l'appareil et le mur, le meuble ou les rideaux.
18. En raison des performances limitées de l'appareil, si la différence entre la température cible et la température ambiante est trop grande, la température cible peut ne pas être atteinte.
19. Pour réduire les risques d'incendie, de choc électrique ou de blessure lors de l'utilisation du climatiseur, observez les précautions de base suivantes:
 - a) Connectez-vous à une prise mise à la terre avec 3 broches.
 - b) Ne retirez pas la broche de mise à la terre.
 - c) N'utilisez pas l'adaptateur.
 - d) N'utilisez pas de rallonge.
 - e) Débranchez le climatiseur avant de procéder à l'entretien.
 - f) Utilisez deux personnes ou plus pour déplacer et installer le climatiseur.
20. N'utilisez pas d'agents accélérant le processus de dégivrage ou de nettoyage autres que ceux recommandés par le fabricant.
21. L'appareil doit être rangé dans une pièce dépourvue de sources d'inflammation en fonctionnement constant, par exemple: feu ouvert, appareils à gaz ou radiateurs électriques.

AVANT LA PREMIÈRE UTILISATION

Lorsque vous déplacez l'appareil, assurez-vous qu'il est en position verticale. Avant d'utiliser le climatiseur, maintenez-le en position verticale pendant au moins 2 heures.

Description de l'appareil - CLIMATISEUR LOCAL CR7929 - Image A

- | | |
|--|--|
| 1. Panneau de commande | 2. Sortie d'air froid |
| 3. Télécommande (image E) | 4. Poignée |
| 5. Entrées d'air | 6. Tuyau d'échappement d'air |
| 7. Connecteur d'échappement | 8. Trou de vidange avec capuchon en caoutchouc (image F) |
| 9. Adaptateur d'échappement de fenêtre | 10. Connecteur du tuyau d'échappement d'air |
| 11. Cadre du filtre | 12. Filtre en nylon |

13. Bouchon de vidange

Description du panneau de commande - Image D.

- A. Bouton d'alimentation
- C. Bouton de réduction de la température / de la minuterie en mode refroidissement
- D. Bouton d'augmentation de la température / d'augmentation de la minuterie en mode de refroidissement
- E. Bouton de modèle de sommeil
- Bouton de mode de ventilation
- G. Bouton de minuterie
- Bouton d'oscillation automatique de l'air
- Écran LED
- J. Bouton de mode Cool

- K. Bouton de déshumidification
- Bouton de vitesse lente du ventilateur
- M. Bouton de vitesse rapide du ventilateur
- N. Témoin de pleine eau

Télécommande - Image E

- A. Bouton d'alimentation
- Bouton de sélection de mode
- C. Bouton de température / minuterie vers le bas
- D. Bouton d'augmentation de la température / minuterie
- E. Bouton de mode veille
- Bouton de sélection de la vitesse du ventilateur
- G. Bouton de minuterie
- H. Bouton d'oscillation d'air

Commande manuelle du PANNEAU DE COMMANDE - image D

Lorsque l'est mis sous tension pour la première fois, le buzzer crie, puis l'appareil passe en état de veille.

Appuyez sur le bouton «A» pour allumer et éteindre l'appareil, le buzzer jouera le signal une fois.

SÉLECTION DU MODE sur le fonctionnement manuel du panneau de commande -

Lorsque l'appareil est allumé, choisissez le mode dont vous avez besoin entre le mode de refroidissement ou le mode de ventilation ou le mode de déshumidification comme ci-dessous:

Mode de refroidissement -

- Appuyez sur le bouton «J» pour sélectionner le mode de refroidissement, appuyez ensuite sur le bouton «L» pour obtenir le bouton de vitesse du ventilateur lent ou appuyez sur le bouton «M» pour obtenir le bouton de vitesse du ventilateur rapide. Appuyez ensuite sur le bouton «C» ou «D» pour régler la température requise de 16 °C à 31 °C, les boutons ne sont pas disponibles en mode ventilateur ou déshumidification.

Mode ventilateur -

- Appuyez sur le bouton «F» pour sélectionner le mode du ventilateur, l'écran LCD affichera «FA», appuyez ensuite sur le bouton «L» pour obtenir le bouton de vitesse du ventilateur lent ou appuyez sur le bouton «M» pour obtenir le bouton de vitesse du ventilateur rapide. Pendant le fonctionnement en mode ventilateur, les fonctions de température et de veille ne peuvent pas être configurées.

Mode déshumidification -

- Appuyez sur le bouton «K» pour sélectionner le mode de déshumidification, l'écran LCD affichera «dh». En mode déshumidification, le mode veille ne peut pas être configuré et la vitesse du ventilateur est automatiquement fixée sur une vitesse lente du ventilateur et ne peut pas être modifiée. Pour désactiver le mode déshumidification, sélectionnez un autre mode de fonctionnement: mode refroidissement ou ventilation. Le bouchon de vidange (13) a pour fonction d'évacuer l'eau de condensation de la partie supérieure de l'appareil. Son utilisation est déterminée en fonction de l'humidité de l'air locale. Il est nécessaire d'ouvrir le bouchon de vidange (13) et de vider l'eau de condensation si l'appareil fonctionne lorsque l'humidité de l'air locale est élevée ou si l'appareil fonctionne en mode déshumidification en continu pendant 12 à 24 heures en continu. En mode refroidissement sec (faible humidité de l'air), il n'est pas nécessaire d'ouvrir le bouchon de vidange (13) car il n'est pas nécessaire de vidanger les condensats.

Configuration de la minuterie -

- Lorsque l'appareil ne fonctionne pas, appuyez sur le bouton «G», l'écran LCD clignote, appuyez sur le bouton «C» ou «D» pour régler le nombre d'heures après le démarrage de l'appareil. L'écran LCD cesse de clignoter et l'icône de la minuterie s'allume.

- Lorsque l'appareil fonctionne, appuyez sur le bouton «G», l'écran LCD clignote, appuyez sur le bouton «C» ou «D» pour configurer le nombre d'heures qui doivent s'écouler avant que l'appareil s'éteigne automatiquement. L'écran LCD cesse de clignoter, l'icône de la minuterie s'allume, l'écran LCD indique que la température est requise. Il s'agit d'une fonction de démarrage différé.

La plage de fonctionnement de la minuterie peut être fixée par heure de 1 à 24 heures.

Mode veille -

- Dans un premier temps, appuyez sur le bouton «J» en mode refroidissement, puis appuyez sur le bouton «E» pour activer le mode veille, puis l'appareil fonctionnera en mode économie d'énergie et silencieux.

- Appuyez ensuite sur le bouton «C» ou «D» pour régler la température requise de 16 °C à 31 °C.

- Le mode veille est automatiquement programmé. Après la première heure de fonctionnement, la température augmentera de 1 °C, après la deuxième heure de fonctionnement, la température augmentera d'un autre 1 °C, puis restera au même niveau.

- Appuyez à nouveau sur le bouton «E» pour annuler le mode veille.

REMARQUE: le mode veille n'est pas disponible en modes déshumidification et ventilation.

Plein d'eau -

Le témoin indicateur de pleine eau «N» sera allumé et le buzzer sonnera pendant plusieurs secondes, puis le compresseur s'arrêtera de fonctionner lorsque le réservoir d'eau de l'appareil interne sera plein.

Fonction d'oscillation automatique de l'air -

Appuyez sur un bouton d'oscillation d'air (H), une fois l'appareil allumé, la fonction d'oscillation d'air automatique est activée, le volet oscillera en continu vers la gauche et la droite; en appuyant à nouveau sur le bouton, le mouvement s'arrête et le volet reste dans cette position.

Le rayon d'oscillation horizontale de l'air est de 30 degrés à gauche et de 30 degrés à droite à partir de la verticale médiane.

Fonctionnement de la TÉLÉCOMMANDE - image E

La télécommande transmet des signaux au système.

Bouton «A» - l'appareil sera démarré lorsqu'il est sous tension ou sera arrêté, si vous appuyez à nouveau sur ce bouton.

Bouton "B" - appuyez dessus pour sélectionner le mode de fonctionnement: mode refroidissement → mode séchage → mode ventilateur.

Bouton "C" / "D" - appuyez pour régler la durée de fonctionnement de 1 à 24 heures ou la température ambiante souhaitée de 15 à 31 °C lorsque le mode de refroidissement est activé.

Bouton "E" - appuyez dessus pour configurer ou annuler le mode veille.

Bouton "F" - appuyez dessus pour sélectionner la vitesse du ventilateur dans l'ordre: vitesse du vent lente / rapide.

Bouton "G" - appuyez dessus pour configurer ou annuler la minuterie.

Bouton «H» - appuyez pour configurer ou annuler la fonction d'oscillation automatique de l'air.

DISPOSITIFS DE PROTECTION

1. protection du compresseur: trois minutes plus tard après la mise sous tension / redémarrage, le compresseur commence à fonctionner.

2. Fonction de protection contre les débordements: lorsque le voyant de remplissage d'eau "N" sera allumé et que le buzzer sonnera pendant plusieurs secondes, l'appareil s'éteint automatiquement. Dans ce cas, vous devez vidanger l'eau (détails voir Instructions de drainage à la fin de ce chapitre). Une fois l'eau vidée, l'appareil passe en mode veille.

3. Fonction de protection contre le gel: En mode de refroidissement, si la température du capteur de tuyau EVA est trop basse, l'appareil entrera automatiquement en état de protection. Lorsque la température du capteur de tuyau EVA atteint une certaine température, il peut automatiquement revenir au fonctionnement normal.

INSTRUCTIONS DE DRAINAGE:

Cet appareil est équipé d'un système d'évaporation automatique de l'eau. Le cycle de l'eau condensée refroidira le condenseur, ce qui améliorera non seulement l'efficacité du refroidissement, mais économisera également de l'énergie.

1. Si le réservoir d'eau interne est plein, le témoin de remplissage d'eau «N» s'allume, l'appareil passe en mode veille, le buzzer crie, le compresseur s'arrête et tous les boutons ne sont pas valides jusqu'à ce que l'appareil retrouve son état normal, après l'évacuation de l'eau.

2. Mettez l'appareil hors tension.

3. Préparez un récipient plat (non inclus dans le set) pour vidanger l'eau. Localisez-le sous le trou de vidange (8)

3. Retirez le capuchon en caoutchouc du trou de vidange (8) - image F.

4. Pendant le drainage, le corps peut être légèrement incliné vers l'arrière.

5. Une fois que l'eau a cessé de s'écouler, fermez le capuchon en caoutchouc (8).

6. Redémarrez l'appareil, l'appareil fonctionnera normalement.

NETTOYAGE & ENTRETIEN

Nettoyage: avant le nettoyage et l'entretien, éteignez l'appareil et débranchez la prise.

a) Nettoyage du logement

Nettoyez la surface de l'appareil avec un chiffon doux et humide. N'utilisez pas de produits chimiques, tels que le benzène, l'alcool, l'essence, sinon la surface de l'appareil sera endommagée ou même l'ensemble de l'appareil sera endommagé.

b) Nettoyage des filtres en nylon net

Si le filtre en nylon (12) est obstrué par de la poussière, l'efficacité de l'appareil est réduite, assurez-vous de nettoyer le filtre une fois toutes les deux semaines.

- Abaissez de l'extérieur le loquet du cadre du filtre (11) avec les mains et tirez vers vous pour retirer le cadre du filtre (11).

- Nettoyez le cadre des filtres supérieur et inférieur (11) après avoir retiré les deux filtres en nylon (12) du cadre du filtre (11). - photo G.

- Plongez le filtre en nylon (11) dans de l'eau tiède avec un détergent neutre (environ 40 °C / 104 °F) et séchez-le à l'ombre après le rinçage.

ESPACE DE RANGEMENT

Si l'appareil reste inutilisé pendant une longue période, procédez comme suit:

Retirez le bouchon de vidange (8) pour faire sortir l'eau.

2. Laissez l'appareil fonctionner en mode ventilateur pendant 2 heures pour sécher l'intérieur de l'appareil.

3. Éteignez l'appareil et retirez la fiche.

4. Nettoyez et séchez les filtres, puis réinstallez-les.

5. Tirez le tuyau d'échappement pour le garder en toute sécurité.

6. Mettez l'appareil dans un sac en plastique et placez-le dans un endroit sec.

7. Retirez les piles de la télécommande et conservez-les correctement.

Stockez l'appareil et tous les composants de l'appareil dans un endroit sec.

DÉPANNAGE

Problème I: La climatisation ne fonctionne pas.

Raison 1: Il n'y a pas d'électricité. Alors, allumez-le après l'avoir connecté à une prise électrique.

Raison 2: Le voyant indicateur de pleine eau «N» est allumé. Alors, déchargez l'eau.

Problème II: l'appareil redémarre automatiquement.

Raison 1: lumière directe du soleil. Alors, j'ai tiré les rideaux.

Raison 2: La porte et les fenêtres sont ouvertes, de nombreuses sources de chaleur dans la pièce. Alors, fermez la porte et les fenêtres, éloignez les sources de chaleur.

Raison 3: les filtres sont trop sales. Alors, nettoyez ou remplacez les filtres.

Raison 4: l'entrée ou la sortie d'air est bloquée. Alors, supprimez le blocage.

Problème III: gros bruit

Raison: l'appareil n'est pas placé sur une surface plane. Alors, placez l'appareil sur un endroit plat et dur pour réduire le bruit.

Problème IV: le compresseur ne fonctionne pas.

Raison: la protection de temporisation du compresseur est activée. Alors, attendez 3 minutes jusqu'à ce que la température baisse, puis redémarrez l'appareil.

Remarque: lorsque des situations anormales se produisent, éteignez l'appareil et débranchez la prise, puis contactez un service professionnel pour obtenir de l'aide.

Ne réparez pas l'appareil vous-même. Une réparation non qualifiée annulera la ga

DONNÉES TECHNIQUES:

Capacité de refroidissement en BTU: 9000 BTU / heure

Capacité de refroidissement en watts: 2640W

Consommation d'énergie (refroidissement) en watts: 1010 W

Niveau sonore: <= 65dB

Débit d'air: 350 m3 / heure

Classe énergétique: A

Capacité de séchage: 24 litres / 24 heures

Agent de refroidissement: R290 210 grammes



Attention, risque d'incendie.

NE PAS percer ou brûler.

Sachez que le réfrigérant peut ne pas contenir d'odeur.



Respect de l'environnement. Nous vous prions de bien vouloir trier les emballages en carton ainsi que les sachets plastiques (en polyéthylène). L'appareil usagé ne doit pas être jeté à la poubelle mais remis au point de collecte prévu à cet effet car il contient des éléments pouvant être nocifs pour l'environnement. L'appareil électrique doit être remis de manière à limiter au maximum une éventuelle utilisation ultérieure. Si l'appareil contient des piles, il faut les retirer et les remettre à un autre point de collecte. Ne pas jeter l'appareil dans une poubelle de déchets ménagers !!!

ESPAÑOL

CONDICIONES GENERALES DE SEGURIDAD

INSTRUCCIONES DE SEGURIDAD IMPORTANTES LEA CUIDADOSAMENTE Y AHORRE POR FUTURO

1. Antes de usar el dispositivo, lea el manual de operación y siga las instrucciones contenidas en él. El fabricante no se hace responsable de los daños causados por el uso del dispositivo contrario a su propósito previsto u operación incorrecta.
2. El dispositivo es solo para uso doméstico. No lo use para otros fines que no sean para los fines previstos.
3. El dispositivo solo debe conectarse a un tomacorriente de CA con una conexión a tierra de 220 240V ~ 50Hz. Para aumentar la seguridad operativa, no se deben conectar varios dispositivos eléctricos a un circuito de corriente al mismo tiempo.
4. Tenga mucho cuidado al usar el dispositivo cuando haya niños cerca. No permita que los niños jueguen con el dispositivo, no permita que lo usen niños o personas que no estén familiarizadas con el dispositivo.
5. **ADVERTENCIA:** Este equipo puede ser utilizado por niños mayores de 8 años y personas con capacidad física, sensorial o mental limitada, o personas que no tienen experiencia o conocimiento del equipo, si esto se hace bajo la supervisión de una

persona responsable. por su seguridad o se les ha otorgado información sobre el uso seguro del dispositivo y son conscientes de los peligros de su uso. Los niños no deben jugar con el equipo. La limpieza y el mantenimiento del dispositivo no deben ser realizados por niños, a menos que tengan más de 8 años y estas actividades se realicen bajo supervisión.

6. Siempre desconecte el enchufe de alimentación sosteniendo el enchufe con la mano después de usarlo. NO tire del cable de alimentación.

7. No sumerja el cable, el enchufe y todo el dispositivo en agua o cualquier otro líquido. No exponga el dispositivo a condiciones atmosféricas (lluvia, sol, etc.) ni lo use en condiciones de alta humedad (baños, casas móviles húmedas).

8. Compruebe periódicamente el estado del cable de alimentación. Si el cable de alimentación está dañado, debe ser reemplazado por un taller de reparación especializado para evitar peligros.

9. No utilice el aparato con un cable de alimentación dañado o si se ha caído o dañado de alguna otra manera o si no funciona correctamente. No repare el dispositivo usted mismo, ya que existe el riesgo de descarga eléctrica. Lleve el dispositivo dañado a un centro de servicio apropiado para su revisión o reparación. Todas las reparaciones solo pueden llevarse a cabo en puntos de servicio autorizados. Las reparaciones realizadas incorrectamente pueden causar serios peligros para el usuario.

10. Coloque el dispositivo sobre una superficie fresca y estable, lejos de electrodomésticos de cocina calientes como: estufa eléctrica, quemador de gas, etc.

11. Asegúrese de que nada bloquee la entrada y salida de aire del dispositivo

12. Use el dispositivo solo en una superficie nivelada para evitar que se derrame la condensación

13. Para proporcionar protección adicional, es aconsejable instalar un dispositivo de corriente residual (RCD) en el circuito eléctrico con una corriente residual nominal que no exceda los 30 mA. Pregúntele a un electricista por esto.

14. Limpie el filtro de aire regularmente. La frecuencia de la limpieza depende de la limpieza del aire.

15. Después de apagar la máquina, espere al menos 5 minutos antes de volver a encenderla.

16. No utilice el dispositivo en lugares soleados. Cuando el dispositivo se sobrecalienta, la protección contra sobrecalentamiento encenderá el dispositivo.

17. Para garantizar un enfriamiento efectivo, se debe mantener una distancia de al menos 50 cm entre las paredes laterales del dispositivo y la pared, los muebles o las cortinas.

18. Debido al rendimiento limitado del dispositivo, si la diferencia entre la temperatura objetivo y la temperatura ambiente es demasiado grande, es posible que no se alcance la temperatura objetivo.

19. Para reducir el riesgo de incendio, descarga eléctrica o lesiones al usar el aire acondicionado, observe las siguientes precauciones básicas:

a) Conecte a una toma de corriente con conexión a tierra con 3 pines.

- b) No quite la punta de conexión a tierra.
 - c) No use el adaptador.
 - d) No use un cable de extensión.
 - e) Desconecte el aire acondicionado antes de dar servicio.
 - f) Use dos o más personas para mover e instalar el aire acondicionado.
20. No utilice agentes que aceleren el proceso de descongelación o limpieza que no sean los recomendados por el fabricante.
21. El dispositivo debe almacenarse en una habitación sin operar constantemente fuentes de ignición, por ejemplo: fuego abierto, aparatos de gas o calentadores eléctricos.

ANTES DEL PRIMER USO

Al mover el dispositivo, asegúrese de que esté en posición vertical. Antes de usar el aire acondicionado, manténgalo en posición vertical durante al menos 2 horas.

Descripción del dispositivo - AIRE ACONDICIONADO LOCAL CR7929 - Imagen A

- | | |
|-----------------------------------|--|
| 1. Panel de control | 2. Salida de aire frío |
| 3. Mando a distancia (imagen E) | 4. Asa |
| 5. Entradas de aire | 6. Tubo de escape de aire |
| 7. Conector de escape | 8. Orificio de drenaje con tapa de goma (imagen F) |
| 9. Adaptador de escape de ventana | 10. Conector del tubo de escape de aire |
| 11. Marco del filtro | 12. Filtro de nailon |

13. Tapón de drenaje

Descripción del panel de control - Imagen D.

- A. Botón de encendido
- C. Botón de disminución de temperatura / temporizador de disminución en modo de enfriamiento
- D. Botón de aumento de temperatura / temporizador en modo enfriamiento
- E. Botón de modelo de suspensión
- F. Botón de modo de ventilador
- G. Botón del temporizador
- H. Botón de oscilación automática del aire
- I. Pantalla LED
- J. Botón de modo frío
- K. Botón deshumidificador
- L. Botón de velocidad lenta del ventilador
- M. Botón de velocidad rápida del ventilador
- N. Luz indicadora de agua llena

Mando a distancia - Imagen E

- A. Botón de encendido
- B. Botón de selección de modo
- C. Botón de reducción de temperatura / temporizador
- D. Botón de aumento de temperatura / temporizador
- E. Botón de modo de suspensión
- F. Botón de selección de velocidad del ventilador
- G. Botón del temporizador
- H. Botón de oscilación del aire

Operación manual del PANEL DE CONTROL - imagen D

Cuando se enciende por primera vez, el timbre sonará y luego el dispositivo entrará en estado de espera.

Presione el botón "A" para encender y apagar el dispositivo, el zumbador reproducirá la señal una vez.

SELECCIÓN DE MODO en la operación manual del panel de control -

Cuando el dispositivo está encendido, elija el modo que necesita entre el modo de enfriamiento o el modo de ventilador o el modo de deshumidificación como se muestra a continuación:

Modo de enfriamiento -

- Presione el botón "J" para seleccionar el modo de enfriamiento, luego presione el botón "L" para obtener el botón de velocidad lenta del ventilador o presione el botón "M" para obtener el botón de velocidad rápida del ventilador. Luego presione el botón "C" o "D" para ajustar la temperatura requerida de 16 °C a 31 °C, los botones no están disponibles en el modo de ventilador o deshumidificación.

Modo de ventilador -

- Presione el botón "F" para seleccionar el modo de ventilador, la pantalla LCD mostrará "FA", luego presione el botón "L" para obtener el botón de velocidad lenta del ventilador o presione el botón "M" para obtener el botón de velocidad rápida del ventilador. Durante el funcionamiento en modo ventilador, no se pueden configurar las funciones de temperatura y dormir.

Modo deshumidificación -

- Presione el botón "K" para seleccionar el modo de deshumidificación, la pantalla LCD mostrará "dh". En el modo de deshumidificación, el modo de suspensión no se puede configurar y la velocidad del ventilador se fija automáticamente en velocidad lenta y no se puede cambiar. Para apagar el modo de deshumidificación, seleccione otro modo de funcionamiento: modo refrigeración o ventilador. La función del tapón de drenaje (13) es drenar el agua condensada de la parte superior del dispositivo. Su uso se determina de acuerdo con la humedad del aire local. Es necesario abrir el tapón de drenaje (13) y vaciar el agua condensada si el dispositivo funciona cuando la humedad del aire local es alta o el dispositivo funciona en modo de deshumidificación de forma continua durante 12-24 horas de forma continua. En el modo de enfriamiento seco (baja humedad del aire) no es necesario abrir el tapón de drenaje (13) porque no es necesario drenar el condensado.

Configuración del temporizador -

- Cuando el dispositivo no esté funcionando, presione el botón "G", la pantalla LCD parpadea, presione el botón "C" o "D" para configurar la cantidad de horas después de que el dispositivo comience a funcionar. La pantalla LCD deja de parpadear y se ilumina el icono del temporizador.

- Cuando el dispositivo esté funcionando, presione el botón "G", la pantalla LCD parpadea, presione el botón "C" o "D" para configurar la cantidad de horas que deben pasar antes de que el dispositivo se apague automáticamente. La pantalla LCD deja de parpadear, el icono del temporizador se iluminará, la pantalla LCD muestra lo necesario para alcanzar la temperatura. Esta es una función de inicio retardado. El rango de funcionamiento del temporizador se puede fijar cada una hora de 1 a 24 horas.

Modo de sueño -

- Primero presione el botón "J" para el modo de enfriamiento, luego presione el botón "E" para encender el modo de suspensión, luego el dispositivo funcionará en modo silencioso y de ahorro de energía.

- A continuación, presione el botón "C" o "D" para ajustar la temperatura requerida de 16 °C a 31 °C.

- El modo de reposo se programa automáticamente. Después de la primera hora de funcionamiento, la temperatura aumentará en 1 °C, después de la segunda hora de funcionamiento, la temperatura aumentará en otro 1 °C y luego permanecerá en el mismo nivel.

- Presione el botón "E" nuevamente para cancelar el modo de suspensión.

NOTA: El modo de suspensión no está disponible en los modos de deshumidificación y ventilador.

Agua llena -

La lámpara indicadora de agua llena "N" se iluminará y el zumbador emitirá una alarma durante varios segundos, luego el compresor dejará de funcionar cuando el tanque de agua del dispositivo interior esté lleno.

Función automática de oscilación del aire -

Presione un botón de oscilación de aire (H), después de que el dispositivo se enciende, la función de oscilación automática de aire se enciende, la rejilla oscilará continuamente hacia la izquierda y la derecha; al presionar el botón nuevamente, el movimiento se detendrá y la lama permanecerá en esa posición.

El radio de oscilación horizontal del aire es de 30 grados hacia la izquierda y 30 grados hacia la derecha desde la vertical central.

Funcionamiento del MANDO A DISTANCIA - imagen E

El control remoto transmite señales al sistema.

Botón "A": el dispositivo se iniciará cuando se energice o se detendrá si presiona este botón nuevamente.

Botón "B": presiónelo para seleccionar el modo de funcionamiento: modo frío → modo seco → modo ventilador.

Botón "C" / "D": presiónelo para configurar el tiempo de funcionamiento de 1 a 24 horas o la temperatura ambiente requerida de 15 a 31 °C cuando el modo de refrigeración está activado.

Botón "E": presiónelo para configurar o cancelar el modo de suspensión.

Botón "F": presiónelo para seleccionar la velocidad del ventilador en secuencia: velocidad del viento lenta / rápida.

Botón "G": presiónelo para configurar o cancelar el temporizador.

Botón "H": presiónelo para configurar o cancelar la función de oscilación automática del aire.

DISPOSITIVOS DE PROTECCIÓN

1. Protección del compresor: tres minutos después de encender / reiniciar, el compresor comienza a funcionar.

2. Función de protección contra desbordamiento: cuando la lámpara indicadora de agua llena "N" se ilumina y el zumbador suena durante

varios segundos, el dispositivo se apaga automáticamente. En este caso, debe drenar el agua (consulte las instrucciones de drenaje al final de este capítulo). Una vez que se vacía el agua, el dispositivo pasará al estado de espera.

3. Función de protección contra heladas: en el modo de refrigeración, si la temperatura del sensor de la tubería de EVA es demasiado baja, el dispositivo entrará automáticamente en estado de protección. Cuando la temperatura del sensor de la tubería de EVA aumenta a una cierta temperatura, puede volver automáticamente al funcionamiento normal.

INSTRUCCIONES DE DRENAJE:

Este dispositivo está equipado con un sistema de evaporación automática de agua. El ciclo de agua condensada enfriará el condensador, lo que no solo mejorará la eficiencia de enfriamiento, sino que también ahorrará energía.

1. Si el tanque de agua interior está lleno, la lámpara indicadora de agua llena "N" se iluminará, el dispositivo entrará en modo de espera, el timbre suena, el compresor se detiene y todos los botones no son válidos hasta que el dispositivo recupere su estado normal, después del drenaje del agua.

2. Apague el dispositivo.

3. Prepare un recipiente plano (no incluido para configurar) para drenar el agua. Ubíquelo debajo del orificio de drenaje (8)

3. Retire la tapa de goma del orificio de drenaje (8) - imagen F.

4. Durante el drenaje, el cuerpo se puede inclinar ligeramente hacia atrás.

5. Una vez que deje de salir agua, cierre la tapa de goma (8).

6. Reinicie el dispositivo, el dispositivo funcionará normalmente.

LIMPIEZA Y MANTENIMIENTO

Limpeza: antes de la limpieza y el mantenimiento, apague el dispositivo y desenchufe el enchufe.

a) Limpieza de viviendas

Limpiar con la superficie del dispositivo con un paño suave húmedo. No use productos químicos, como benceno, alcohol, gasolina, de lo contrario, la superficie del dispositivo se dañará o incluso todo el dispositivo se dañará.

b) Limpieza de filtros de red de nailon

Si el filtro de nailon (12) está obstruido con polvo, entonces la efectividad del dispositivo se reduce, asegúrese de limpiar el filtro una vez cada dos semanas.

- Empuje hacia abajo desde el exterior el pestillo del marco del filtro (11) con las manos y tire hacia usted mismo para quitar el marco del filtro (11).

- Limpie el marco de los filtros superior e inferior (11) después de quitar ambos filtros de nailon (12) del marco del filtro (11). - imagen G.

- Ponga el filtro de nailon (11) en agua tibia con detergente neutro (aproximadamente 40 °C / 104 °F) y séquelo a la sombra después de enjuagarlo.

ALMACENAMIENTO

Si el dispositivo no se utilizará durante mucho tiempo, haga lo siguiente:

1. Extraiga el tapón de drenaje (8) para que salga el agua.

2. Deje que el dispositivo funcione en modo ventilador durante 2 horas para secar el interior del dispositivo.

3. Apague el dispositivo y desenchufe.

4. Limpie y seque los filtros, luego vuelva a instalarlos.

5. Saque el tubo de escape para mantenerlo a salvo.

6. Coloque el dispositivo en una bolsa de plástico y colóquelo en un lugar seco.

7. Quite las pilas del mando a distancia y consérvelas correctamente.

Guarde el dispositivo y todos los componentes del dispositivo en un lugar seco.

SOLUCIÓN DE PROBLEMAS

Problema I.: El aire acondicionado no funciona.

Razón 1: No hay electricidad. Entonces, enciéndalo después de conectarlo a un enchufe con electricidad.

Razón 2: La luz indicadora de agua llena "N" está encendida. Entonces, descargue el agua.

Problema II: El dispositivo se reinicia automáticamente con frecuencia.

Razón 1: Luz solar directa. Entonces, corra las cortinas.

Razón 2: La puerta y las ventanas están abiertas, hay muchas fuentes de calor en la habitación. Por lo tanto, cierre la puerta y las ventanas, retire las fuentes de calor.

Razón 3: los filtros están demasiado sucios. Por lo tanto, limpie o reemplace los filtros.

Razón 4: La entrada de aire o la salida de aire están bloqueadas. Entonces, elimine el bloqueo.

Problema III: gran ruido

Motivo: el dispositivo no está colocado sobre una superficie plana. Por lo tanto, coloque el dispositivo en un lugar plano y duro para reducir el ruido.

Problema IV: El compresor no funciona.

Motivo: Se activa la protección de retardo de tiempo del compresor. Por lo tanto, espere 3 minutos hasta que baje la temperatura y luego reinicie el dispositivo.

Nota: cuando ocurran situaciones anormales, apague el dispositivo y desconecte el enchufe, luego comuníquese con un servicio profesional para obtener ayuda.

No repare el dispositivo usted mismo. Una reparación no calificada anulará la garantía.

DATOS TÉCNICOS:

Capacidad de enfriamiento a BTU: 9000 BTU / hora

Capacidad de enfriamiento en vatios: 2640W

Consumo de energía (refrigeración) en vatios: 1010 W

Nivel de ruido: <= 65dB

Flujo de aire: 350 m3 / hora

Clase energética: A

Capacidad de secado: 24 litros / 24 horas

Agente refrigerante: R290 210 gramos



Precaución, riesgo de incendio.

NO perforar ni quemar.

Tenga en cuenta que el refrigerante puede no contener olor.



Preocupación por el medio ambiente. Por favor, lleva las cajas de cartón a un sitio de reciclaje. Las bolsas de polietileno se deben tirar al cubo de la basura amarillo (para envases). El equipo gastado debe ser entregado en el punto de almacenamiento adecuado, porque las piezas que constituyen el equipo pueden suponer un peligro para el medio ambiente. Debes entregar el equipo Hay que devolver el equipo eléctrico con el fin de evitar su reutilización. Si en el equipo se encuentran pilas, hay que sacarlas y entregar por separado, en un punto de almacenamiento adecuado. No tires el equipo al contenedor para residuos urbanos!!

PORTUGUÊS

CONDIÇÕES GERAIS DE SEGURANÇA

INSTRUÇÕES IMPORTANTES DE SEGURANÇA LEIA COM ATENÇÃO E SALVE PARA O FUTURO

1. Antes de usar o dispositivo, leia o manual de operação e siga as instruções nele contidas. O fabricante não se responsabiliza por danos causados pelo uso do dispositivo contrário ao seu objetivo ou operação incorreta.
2. O dispositivo é apenas para uso doméstico. Não use para outros fins que não sejam para o fim a que se destina.
3. O dispositivo deve ser conectado apenas a uma tomada CA com 220 240V ~ 50Hz aterrada. Para aumentar a segurança operacional, vários dispositivos elétricos não devem ser conectados a um circuito de corrente ao mesmo tempo.
4. Tenha muito cuidado ao usar o dispositivo quando houver crianças por perto. Não permita que crianças brinquem com o dispositivo, não permita que crianças ou pessoas não familiarizadas com o dispositivo o usem.
5. AVISO: Este equipamento pode ser usado por crianças acima de 8 anos de idade e pessoas com habilidades físicas, sensoriais ou mentais limitadas, ou pessoas que não têm experiência ou conhecimento do equipamento, se isso for feito sob a supervisão de uma pessoa responsável. por sua segurança ou tenham recebido informações sobre o uso seguro do dispositivo e estão cientes dos perigos de usá-lo. As crianças não devem brincar com o equipamento. A limpeza e manutenção do dispositivo não devem ser realizadas por crianças, a menos que tenham mais de 8 anos e essas atividades sejam realizadas sob supervisão.
6. Sempre desconecte o plugue de energia segurando o soquete com a mão após o uso. NÃO puxe pelo cabo de alimentação.
7. Não mergulhe o cabo, plugue e todo o dispositivo em água ou qualquer outro líquido. Não exponha o dispositivo a condições atmosféricas (chuva, sol, etc.) ou use em condições de alta umidade (banheiros, casas móveis úmidas).
8. Verifique periodicamente as condições do cabo de alimentação. Se o cabo de

alimentação estiver danificado, ele deverá ser substituído por uma oficina especializada para evitar perigos.

9. Não use o aparelho com um cabo de alimentação danificado ou se ele caiu ou foi danificado de qualquer outra maneira ou se não estiver funcionando corretamente. Não repare o dispositivo, pois existe o risco de choque elétrico. Leve o dispositivo danificado a um centro de serviço apropriado para verificação ou reparo. Todos os reparos podem ser realizados apenas por pontos de serviço autorizados. Reparos executados incorretamente podem causar sérios perigos ao usuário.

10. Coloque o dispositivo em uma superfície fria e estável, longe de utensílios de cozinha quentes, como: fogão elétrico, queimador de gás, etc.

11. Certifique-se de que nada esteja bloqueando a entrada e saída de ar do dispositivo

12. Use o dispositivo apenas em uma superfície nivelada para evitar que a condensação se espalhe

13. Para fornecer proteção adicional, é aconselhável instalar um dispositivo de corrente residual (RCD) no circuito elétrico com uma corrente residual nominal que não exceda 30mA. Peça a um eletricitista para isso.

14. Limpe o filtro de ar regularmente. A frequência da limpeza depende da limpeza do ar.

15. Depois de desligar a máquina, aguarde pelo menos 5 minutos antes de ligá-la novamente.

16. Não use o dispositivo em locais ensolarados. Quando o dispositivo superaquece, a proteção contra superaquecimento liga o dispositivo.

17. Para garantir um resfriamento eficaz, deve-se manter uma distância de pelo menos 50 cm entre as paredes laterais do dispositivo e a parede ou móveis ou cortinas.

18. Devido ao desempenho limitado do dispositivo, se a diferença entre a temperatura alvo e a temperatura ambiente for muito alta, a temperatura alvo poderá não ser alcançada.

19. Para reduzir o risco de incêndio, choque elétrico ou lesão ao usar o ar condicionado, observe as seguintes precauções básicas:

a) Conecte a uma tomada aterrada com 3 pinos.

b) Não remova o pino de aterramento.

c) Não use o adaptador.

d) Não use um cabo de extensão.

e) Desconecte o ar condicionado antes de fazer a manutenção.

f) Use duas ou mais pessoas para mover e instalar o ar condicionado.

20. Não use agentes que acelerem o processo de degelo ou limpeza, além dos recomendados pelo fabricante.

21. O dispositivo deve ser armazenado em uma sala sem fontes de ignição em operação constante, por exemplo: fogo aberto, eletrodomésticos a gás ou aquecedores elétricos.

ANTES DO PRIMEIRO USO

Ao mover o dispositivo, certifique-se de que ele esteja na posição vertical. Antes de usar o ar condicionado, mantenha-o na posição vertical por pelo menos 2 horas.

Descrição do dispositivo - LOCAL AIR CONDITIONER CR7929 - Figura A

- | | |
|------------------------------------|--|
| 1. Painel de controle | 2. Saída de ar frio |
| 3. Controle remoto (imagem E) | 4. Alça |
| 5. Entradas de ar | 6. Tubo de exaustão de ar |
| 7. Conector de exaustão | 8. Orifício de drenagem com tampa de borracha (imagem F) |
| 9. Adaptador de exaustão da janela | 10. Conector do tubo de exaustão de ar |
| 11. Estrutura do filtro | 12. Filtro de nylon |
| 13. Tampão de drenagem | |

Descrição do painel de controle - imagem D.

- A. Botão liga / desliga
- C. Botão de redução de temperatura / temporizador no modo de resfriamento
- D. Botão de aumento da temperatura / aumento do cronômetro no modo de resfriamento
- E. Botão do modelo de sono
- F. Botão de modo de ventilador
- G. Botão do temporizador
- H. Botão de oscilação automática do ar
- I. Tela LED
- J. Botão do modo Cool
- K. Botão de desumidificação
- L. Botão de velocidade lenta do ventilador
- M. Botão de velocidade rápida do ventilador
- N. Luz indicadora de água cheia

Controle remoto - Figura E

- A. Botão liga / desliga
- B. Botão de seleção de modo
- C. Botão de temperatura / cronômetro para baixo
- D. Botão de aumento de temperatura / temporizador
- E. Botão do modo de suspensão
- F. Botão de seleção de velocidade do ventilador
- G. Botão do temporizador
- H. Botão de oscilação de ar

Operação manual do PAINEL DE CONTROLE - figura D

Quando for ligado pela primeira vez, a campainha soar e o dispositivo entrará em modo de espera.

Pressione o botão "A" para ligar e desligar o dispositivo, a campainha tocará o sinal uma vez.

SELEÇÃO DE MODO na operação manual do painel de controle -

Quando o dispositivo estiver ligado, escolha o modo que você precisa entre o modo de resfriamento ou modo de ventilador ou modo de desumidificação conforme abaixo:

Modo de refrigeração -

- Pressione o botão "J" para selecionar o modo de resfriamento, em seguida pressione o botão "L" para obter o botão de velocidade lenta do ventilador ou pressione o botão "M" para obter o botão de velocidade rápida do ventilador. Em seguida, pressione o botão "C" ou "D" para ajustar a temperatura necessária de 16 °C a 31 °C, os botões não estão disponíveis no modo de ventilador ou desumidificação.

Modo fã -

- Pressione o botão "F" para selecionar o modo de ventilador, a tela LCD mostrará "FA", em seguida pressione o botão "L" para obter o botão de velocidade lenta do ventilador ou pressione o botão "M" para obter o botão de velocidade rápida do ventilador. Durante a operação em modo de ventilador, as funções de temperatura e dormir não podem ser configuradas.

Modo desumidificador -

- Pressione o botão "K" para selecionar o modo de desumidificação, a tela LCD mostrará "dh". No modo de desumidificação, o modo de espera não pode ser configurado e a velocidade do ventilador é fixada automaticamente em uma velocidade lenta do ventilador e não pode ser alterada. Para desligar o modo de desumidificação, selecione outro modo de operação: modo de refrigeração ou ventilador. A função do bujão de drenagem (13) é drenar a água condensada da parte superior do aparelho. Seu uso é determinado de acordo com a umidade do ar local. É necessário abrir o bujão de drenagem (13) e despejar a água condensada se o dispositivo operar quando a umidade do ar local for alta ou se o dispositivo operar no modo de desumidificação continuamente por 12-24 horas continuamente. No modo de refrigeração a seco (baixa umidade do ar) não é necessário abrir o bujão de drenagem (13), pois não há necessidade de drenar o condensado.

Cronômetro configurado -

- Quando o dispositivo não estiver funcionando, pressione o botão "G", a tela LCD pisca, pressione o botão "C" ou "D" para configurar a quantidade de horas após o dispositivo entrar em operação. A tela LCD para de piscar e o ícone do temporizador acende.
- Quando o aparelho estiver funcionando, aperte o botão "G", a tela LCD pisca, aperte o botão "C" ou "D" para configurar a quantidade de horas que precisa passar antes que o aparelho desligue automaticamente. O ecrã LCD pára de piscar, o ícone do temporizador acende-se, o ecrã LCD mostra o que é necessário para atingir a temperatura. Esta é uma função de início retardado. A faixa de operação do temporizador pode ser fixada a cada uma hora de 1 a 24 horas.

Modo dormir -

- Primeiramente pressione o botão "J" para o modo de resfriamento, em seguida pressione o botão "E" para ligar o modo de hibernação, então o dispositivo funcionará em economia de energia e tipo silencioso.
 - Em seguida, pressione o botão "C" ou "D" para ajustar a temperatura necessária de 16 °C a 31 °C.
 - O modo de suspensão é programado automaticamente. Após a primeira hora de operação, a temperatura aumentará 1 °C, após a segunda hora de operação, a temperatura aumentará mais 1 °C e então permanecerá no mesmo nível.
 - Pressione o botão "E" novamente para cancelar o modo de suspensão.
- NOTA: O modo de suspensão não está disponível nos modos de desumidificação e ventilação.

Cheio de água -

A lâmpada indicadora de água cheia "N" acenderá e a campainha soará por vários segundos, então o compressor irá parar de funcionar quando o tanque de água do dispositivo interno estiver cheio.

Função automática de oscilação de ar -

Pressione um botão de oscilação de ar (H), após o aparelho ligar, a função de oscilação de ar automática liga, a veneziana vai oscilar continuamente para a esquerda e para a direita; pressionando o botão novamente o movimento irá parar e a veneziana permanecerá nessa posição.

O raio da oscilação horizontal do ar é de 30 graus para a esquerda e 30 graus para a direita a partir da vertical média.

Operação do CONTROLE REMOTO - figura E

O controle remoto transmite sinais para o sistema.

Botão "A" - o dispositivo será iniciado quando for energizado ou será parado, se você pressionar este botão novamente.

Botão "B" - pressione-o para selecionar o modo de operação: modo frio → modo seco → modo ventilador.

Botão "C" / "D" - pressione para configurar o tempo de operação de 1 a 24 horas ou a temperatura ambiente exigida de 15 a 31 ° C quando o modo de refrigeração é ligado.

Botão "E" - pressione-o para configurar ou cancelar o modo de espera.

Botão "F" - pressione-o para selecionar a velocidade do ventilador em sequência: velocidade do vento lenta / rápida.

Botão "G" - pressione-o para configurar ou cancelar o temporizador.

Botão "H" - pressione para configurar ou cancelar a função automática de oscilação do ar.

DISPOSITIVOS DE PROTEÇÃO

1. Proteção do compressor: Três minutos depois de ligar / reiniciar, o compressor começa a funcionar.

2. Função de proteção contra transbordamento: quando a lâmpada indicadora de água cheia "N" acender e a campainha soar um alarme por vários segundos, o dispositivo desliga-se automaticamente. Neste caso, é necessário drenar a água (detalhes consulte as Instruções de Drenagem no final deste capítulo). Depois que a água for esvaziada, o dispositivo entrará no modo de espera.

3. Função de proteção contra congelamento: No modo de resfriamento, se a temperatura do sensor do tubo EVA for muito baixa, o dispositivo entrará automaticamente no status de proteção. Quando a temperatura do sensor de tubo EVA sobe para uma determinada temperatura, ele pode reverter automaticamente para a operação normal.

INSTRUÇÕES DE DRENAGEM:

Este dispositivo está equipado com sistema de evaporação automática de água. O ciclo de água condensada resfriará o condensador, o que não apenas melhorará a eficiência do resfriamento, mas também economizará energia.

1. Se o tanque de água interno estiver cheio, a lâmpada indicadora de água cheia "N" acenderá, o dispositivo entrará em modo de espera, a campainha soará, o compressor para e todos os botões serão inválidos até que o dispositivo volte ao normal, após a drenagem da água.

2. Desligue o dispositivo.

3. Prepare um recipiente plano (não incluído no conjunto) para drenar a água. Localize-o sob o orifício de drenagem (8)

3. Remova a tampa de borracha do orifício de drenagem (8) - figura F.

4. Durante a drenagem, o corpo pode ser ligeiramente inclinado para trás.

5. Depois que a água parar de derramar, feche a tampa de borracha (8).

6. Reinicie o dispositivo, o dispositivo funcionará normalmente.

LIMPEZA E MANUTENÇÃO

Limpeza: antes da limpeza e manutenção, desligue o aparelho e retire a ficha da tomada.

a) Limpeza da habitação

Limpe a superfície do dispositivo com um pano macio úmido. Não use produtos químicos, como benzeno, álcool, gasolina, caso contrário, a superfície do dispositivo será danificada ou mesmo todo o dispositivo será danificado.

b) Limpeza de filtros de rede de náilon

Se o filtro de náilon (12) estiver obstruído com poeira, a eficácia do dispositivo será reduzida, certifique-se de limpar o filtro uma vez a cada duas semanas.

- Force pelo lado de fora a trava da estrutura do filtro (11) com as mãos e puxe para fora para remover a estrutura do filtro (11).

- Limpe a estrutura do filtro superior e inferior (11) após remover os dois filtros de nylon (12) da estrutura do filtro (11). - imagem G.

- Coloque o filtro de náilon (11) em água morna com detergente neutro (cerca de 40 °C / 104 °F) e seque-o à sombra após enxaguar.

ARMAZENAMENTO

Se o dispositivo não for usado por um longo tempo, faça o seguinte:

1. Puxe o tampão de drenagem (8) para escoar a água.

2. Deixe o dispositivo funcionar em modo de ventilação por 2 horas para secar o interior do dispositivo.

3. Desligue o dispositivo e retire o plugue.

4. Limpe e seque os filtros e, em seguida, reinstale-os.

5. Retire o tubo de escape para mantê-lo seguro.

6. Coloque o dispositivo em um saco plástico e coloque-o em um local seco.

7. Retire as pilhas do controle remoto e guarde-as corretamente.

Armazene o dispositivo e todos os componentes do dispositivo em local seco.

SOLUÇÃO DE PROBLEMAS

Problema I.: O ar condicionado não funciona.

Razão 1: não há eletricidade. Portanto, ligue-o após conectá-lo a uma tomada elétrica.

Razão 2: o indicador luminoso de água cheia "N" está aceso. Então, descarregue a água.

Problema II.: O dispositivo reinicia automaticamente com frequência.

Razão 1: luz solar direta. Então, feche as cortinas.

Razão 2: a porta e as janelas estão abertas, muitas fontes de calor na sala. Portanto, feche a porta e as janelas, retire as fontes de calor.

Razão 3: os filtros estão muito sujos. Portanto, limpe ou substitua os filtros.

Razão 4: a entrada ou saída de ar está bloqueada. Portanto, remova o bloqueio.

Problema III.: Grande ruído

Motivo: o dispositivo não foi colocado em uma superfície plana. Portanto, coloque o dispositivo em um local plano e rígido para reduzir o ruído.

Problema IV.: O compressor não funciona.

Motivo: A proteção de retardo do compressor é ativada. Portanto, es

Nota: quando ocorrerem situações anormais, desligue o dispositivo profissional para obter ajuda.

Não repare o dispositivo sozinho. O reparo não qualificado anulará :

DADOS TÉCNICOS:

Capacidade de resfriamento em BTU: 9.000 BTU / hora

Capacidade de refrigeração em watts: 2640W

Consumo de energia (resfriamento) em watts: 1010 W

Nível de ruído: <= 65dB

Fluxo de ar: 350 m3 / hora

Classe energética: A

Capacidade de secagem: 24 litros / 24 horas

Agente de resfriamento: R290 210 gramas



Cuidado, risco de incêndio.

NÃO fure ou queime.

Esteja ciente de que o refrigerante pode não conter odor.



Proteção do meio ambiente. Rogamos, os embalagens de cartão destinem-se para papéis velhos. Os sacos de polietileno (PE) devem-se colocar em contenedores para material plástico. O dispositivo usado deve-se levar a um ponto de armazenamento adequado porque os componentes perigosos que ficam dentro do dispositivo podem ser perigosos para o meio ambiente. O dispositivo elétrico deve-se entregar de modo que se reduza a sua nova utilização e uso. Se no dispositivo há pilhas, devem-se tirar e levar a um ponto de armazenamento em separado. Não colocar o dispositivo em contenedores para resíduos municipais!!

LIETUVIŲ

BENDROSIOS SAUGOS ŠALYGOS

SVARBIOS SAUGOS INSTRUKCIJOS ATSARGIAI Perskaitykite ir išsaugokite ateičiai

1. Prieš naudodamiesi prietaisu, perskaitykite naudojimo vadovą ir vykdykite jame pateiktas instrukcijas. Gamintojas neatsako už žalą, padarytą naudojant įrenginį ne pagal paskirtį ar

netinkamai naudojant.

2. Prietaisas skirtas naudoti tik namuose. Nenaudokite kitiems tikslams, kurie nėra numatyti.

3. Prietaisą reikia prijungti tik prie įžeminto 220 240 V ~ 50 Hz lizdo. Norint padidinti eksploataavimo saugą, keli elektros prietaisai neturėtų būti jungiami prie vienos srovės grandinės tuo pačiu metu.

4. Būkite ypač atsargūs naudodamiesi prietaisu, kai šalia yra vaikai. Neleiskite vaikams žaisti su šiuo prietaisu, neleiskite vaikams ar žmonėms, nepažįstamiems prietaiso, juo naudotis.

5. [SPĖJIMAS: Šia įrangą gali naudotis vyresni nei 8 metų vaikai ir ribotų fizinių, jutimo ar protinių galimybių žmonės arba žmonės, neturintys patirties ar žinių apie įrangą, jei tai atliekama prižiūrint atsakingam asmeniui. jų saugumui ar jiems buvo suteikta informacija apie saugų prietaiso naudojimą ir žino apie jo naudojimo pavojus. Vaikai neturėtų žaisti su įranga. Valyti ir prižiūrėti prietaisą neturėtų vaikai, išskyrus tuos atvejus, kai jie yra vyresni nei 8 metų, o šios veiklos atliekamos prižiūrint.

6. Po naudojimo visada atjunkite maitinimo kištuką, laikydami už rankos lizdą.

NENUDIRKITE maitinimo laido.

7. Nemerkite laido, kištuko ir viso prietaiso į vandenį ar kitą skystį. Saugokite prietaisą nuo atmosferos sąlygų (lietaus, saulės ir pan.) Ir nenaudokite didelės drėgmės sąlygomis (vonios kambariai, drėgni mobilūs namai).

8. Periodiškai tikrinkite maitinimo laido būklę. Jei maitinimo laidas yra pažeistas, jį reikia pakeisti specializuotoje remonto dirbtuvėje, kad būtų išvengta pavojaus.

9. Nenaudokite prietaiso su pažeistu maitinimo laidu, jei jis buvo numestas ar kitaip pažeistas, arba jis veikia netinkamai. Netaisykite prietaiso patys, nes kyla elektros smūgio rizika. Nuvežkite sugadintą prietaisą į tinkamą aptarnavimo centrą patikrinti ar pataisyti. Visus remonto darbus gali atlikti tik įgalioti techninės priežiūros punktai. Neteisingai atliktas remontas gali sukelti rimtą pavojų vartotojui.

10. Padėkite prietaisą ant vėsių, stabilių paviršių, atokiau nuo karštų virtuvės prietaisų, tokių kaip: elektrinė voryklė, dujinis degiklis ir kt.

11. Įsitinkinkite, kad niekas neužstoja prietaiso oro įleidimo ir išleidimo angos

12. Naudokite prietaisą tik ant lygaus paviršiaus, kad nesudarytų kondensatas

13. Norint užtikrinti papildomą apsaugą, patartina į elektros grandinę įmontuoti likutinės srovės įtaisą (RCD), kurio vardinė likutinė srovė neviršytų 30mA. Dėl to kreipkitės į elektriką.

14. Reguliariai valykite oro filtrą. Valymo dažnumas priklauso nuo oro švara.

15. Išjungę mašiną, prieš vėl įjungdami, palaukite bent 5 minutes.

16. Nenaudokite prietaiso saulėtose vietose. Kai prietaisas perkaista, apsauga nuo perkaitimo įjungs įrenginį.

17. Kad būtų užtikrintas efektyvus aušinimas, tarp prietaiso šoninių sienelių ir sienos, baldų ar užuolaidų turėtų būti laikomas ne mažesnis kaip 50 cm atstumas.

18. Dėl riboto prietaiso veikimo, jei tikslinės ir aplinkos temperatūros skirtumas yra per

didelis, tikslinė temperatūra gali būti nepasiekta.

19. Norėdami sumažinti gaisro, elektros smūgio ar sužeidimo riziką, kai naudojate oro kondicionierių, laikykitės šių pagrindinių atsargumo priemonių:

- a) Prijunkite prie žeminto lizdo 3 kaiščiais.
 - b) Nenuimkite žeminimo gnybto.
 - c) Nenaudokite adapterio.
 - d) Nenaudokite ilgintuvo.
 - e) Prieš atlikdami techninę priežiūrą, atjunkite oro kondicionierių.
 - f) Norėdami perkelti ir sumontuoti oro kondicionierių, naudokite du ar daugiau žmonių.
20. Nenaudokite agentų, kurie pagreitina atitirpinimo ar valymo procesą, išskyrus tuos, kuriuos rekomenduoja gamintojas.
21. Prietaisą reikia laikyti kambaryje, kuriame nėra nuolat veikiančių uždegimo šaltinių, pavyzdžiui: atvira ugnis, dujiniai prietaisai ar elektriniai šildytuvai.

PRIEŠ PIRMAJĄ NAUDOJIMĄ

Perkeldami prietaisą įsitinkinkite, kad jis yra vertikaloje padėtyje. Prieš naudodamiesi oro kondicionieriumi, bent 2 valandas palaikykite jį vertikaliai.

Įrenginio aprašymas - VIETINIS oro kondicionierius CR7929 - A paveikslas

- | | |
|---|---|
| 1. Valdymo pultas | 2. Šalto oro išleidimo anga |
| 3. Nuotolinio valdymo pultas (E paveikslas) | 4. Rankena |
| 5. Oro įleidimo angos | 6. Oro išmetimo vamzdis |
| 7. Išmetimo jungtis | 8. Išleidimo anga su guminiu dangteliu (F paveikslas) |
| 9. Lango išmetimo adapteris | 10. Oro išmetimo vamzdžio jungtis |
| 11. Filtrų rėmas | 12. Nailono filtras |
| 13. Išleidimo kamštis | |

Valdymo skydo aprašymas - D paveikslas.

- A. Maitinimo mygtukas
- C. Temperatūros žeminimo / laikmačio žeminimo mygtukas aušinimo režime
- D. Temperatūros padidinimo / laikmačio padidinimo mygtukas aušinimo režime
- E. Miego modelio mygtukas
- F. Ventilatoriaus režimo mygtukas
- G. Laikmačio mygtukas
- H. Automatinis oro virpesių mygtukas
- I. LED ekranas
- J. „Cool mode“ mygtukas
- K. Sausinimo mygtukas
- L. Mažo ventilatoriaus greičio mygtukas
- M. Greito ventilatoriaus greičio mygtukas
- N. Visas vandens indikatorius

Nuotolinio valdymo pultas - E paveikslas

- A. Maitinimo mygtukas
- B. Režimo pasirinkimo mygtukas
- C. Temperatūros / laikmačio mygtukas
- D. Temperatūros / laikmačio aukštyn mygtukas
- E. Miego režimo mygtukas
- F. Ventilatoriaus greičio pasirinkimo mygtukas
- G. Laikmačio mygtukas
- H. Oro virpesių mygtukas

VALDYMO SKYDELIS rankinis valdymas - D paveikslas

Pirmą kartą įjungus garsinį signalą, pasigirs garsinis signalas, o tada prietaisas pateks į budėjimo būseną.

Paspauskite mygtuką „A“, kad įjungtumėte ir išjungtumėte įrenginį; švilpukas pasigirs signalą vieną kartą.

REŽIMO PASIRINKIMAS rankiniu valdymo pulto valdymu -

Kai įrenginys įjungtas, pasirinkite režimą, kurį jums reikia tarp aušinimo režimo, ventiliatoriaus režimo arba sausinimo režimo, kaip nurodyta toliau:

Aušinimo režimas -

- Paspauskite mygtuką „J“, kad pasirinktumėte aušinimo režimą, tada paspauskite mygtuką „L“, kad gautumėte lėtą ventiliatoriaus greičio mygtuką, arba paspauskite mygtuką „M“, norėdami gauti greitą ventiliatoriaus greičio mygtuką. Kitas mygtukas „C“ arba „D“ paspauskite, kad sureguliuotumėte reikiamą temperatūrą nuo 16 °C iki 31 °C, mygtukai nėra ventiliatoriaus ar oro sausinimo režime.

Ventiliatoriaus režimas -

- Paspauskite mygtuką „F“, kad pasirinktumėte ventiliatoriaus režimą; Ventiliatoriaus režimu negalima nustatyti temperatūros ir miego režimo.

Sausinimo režimas -

- Paspauskite mygtuką „K“, kad pasirinktumėte sausinimo režimą, LCD ekrane pasirodys „dh“. Esant sausinimo režimui, miego režimo nustatyti negalima, o ventiliatoriaus greitis automatiškai nustatomas esant lėtam ventiliatoriaus greičiui ir jo negalima pakeisti. Norėdami išjungti sausinimo režimą, pasirinkite kitą darbo režimą: aušinimo arba ventiliatoriaus režimą. Išleidimo kamščio (13) funkcija yra išleisti kondensato vandenį iš viršutinės prietaiso dalies. Jo naudojimas nustatomas atsižvelgiant į vietinę oro drėgmę. Būtina atidaryti išleidimo kamštį (13) ir išpilti kondensato vandenį, jei prietaisas veikia, kai vietinė oro drėgmė yra didelė arba prietaisas nuolat veikia sausinimo režimu 12–24 valandas. Sauso aušinimo režimu (maža oro drėgmė) nebūtina atidaryti išleidimo kamščio (13), nes nereikia išleisti kondensato.

Laikmatis nustatytas -

- Kai prietaisas neveikia, paspauskite mygtuką „G“, LCD ekranas mirksi, paspauskite mygtuką „C“ arba „D“, kad nustatytumėte valandų skaičių po to, kai prietaisas pradės veikti. Skystųjų kristalų ekranas nustoja mirksėti ir įsijiebia laikmačio piktograma.

- Kai prietaisas veikia, paspauskite mygtuką „G“, LCD ekranas mirksi, paspauskite mygtuką „C“ arba „D“, kad nustatytumėte valandų skaičių, kurį reikia praleisti, kol prietaisas automatiškai išsijungs. Skystųjų kristalų ekranas nustoja mirksėti, šviečia laikmačio piktograma, LCD ekrane rodoma temperatūra, reikalinga. Tai atidėto paleidimo funkcija.

Laikmačio veikimo diapazoną galima nustatyti kas valandą nuo 1 iki 24 valandų.

Miegojimo režimas -

- Iš pradžių paspauskite mygtuką „J“ į vėsinimo režimą, kitą kartą paspauskite mygtuką „E“, kad įjungtumėte miego režimą, tada įrenginys veiks energijos taupymo ir tyliu veidu.

- Kitas mygtukas „C“ arba „D“ paspauskite, kad sureguliuotumėte reikiamą temperatūrą nuo 16 °C iki 31 °C.

- Miego režimas automatiškai užprogramuojamas. Po pirmos darbo valandos temperatūra padidės 1 °C, po antrosios darbo valandos temperatūra padidės dar 1 °C, o paskui išliks tame pačiame lygyje.

- Dar kartą paspauskite mygtuką „E“, kad atšauktumėte miego režimą.

PASTABA: Miego režimas negalimas esant oro sausinimo ir ventiliatoriaus režimams.

Vanduo pilnas -

Užsidegs pilna vandens indikatorius lemputė „N“, o švilpukas skambės keletą sekundžių, tada kompresorius nustos veikti, kai vidinis prietaiso vandens bakas bus pilnas.

Automatinė oro virpesių funkcija -

Paspauskite oro virpesių mygtuką (H), prietaisui įsijungus, įsijungs automatinė oro virpesių funkcija, žaliuzė nuolat suksis kairėn ir dešinėn; dar kartą paspaudus mygtuką judėjimas sustos ir žaliuzės liks tokioje padėtyje.

Horizontaliojo oro svyravimo spindulys yra 30 laipsnių į kairę ir 30 laipsnių į dešinę nuo vidurinės vertikalės.

Nuotolinio valdiklio veikimas - E paveikslas

Nuotolinis valdiklis perduoda signalus į sistemą.

Mygtukas „A“ - prietaisas bus paleistas, kai jis bus įjungtas, arba bus sustabdytas, jei dar kartą paspausite šį mygtuką.

Mygtukas „B“ - paspauskite jį norėdami pasirinkti darbo režimą: vėsos režimas → sausas režimas → ventiliatoriaus režimas.

Mygtukas „C“ / „D“ - paspauskite, kad nustatytumėte veikimo laiką nuo 1 iki 24 valandų arba reikiamą kambario temperatūrą nuo 15 iki 31 °C, kai įjungtas aušinimo režimas.

Mygtukas „E“ - paspauskite jį, kad nustatytumėte arba atšauktumėte miego režimą.

Mygtukas „F“ - paspauskite jį, kad iš eilės pasirinktumėte ventiliatoriaus greitį: lėtas / greitas vėjo greitis.

Mygtukas „G“ - paspauskite jį norėdami nustatyti arba atšaukti laikmatį.

Mygtukas „H“ - paspauskite, jei norite nustatyti arba atšaukti automatinę oro virpesių funkciją.

APSAUGOS PRIETAISAI

1. Kompresorius apsauga: Praėjus trims minutėms po maitinimo įjungimo / paleidimo, kompresorius pradeda veikti.

2. Apsaugos nuo perpildymo funkcija: kai užsidegs viso vandens indikatorius lemputė „N“ ir keletą sekundžių žadintuvas skambės,

prietaisais automatiškai išsiungs. Tokiu atveju turite nutekėti vandenį (išsamiau žr. Kanalizacijos instrukcijas šio skyriaus pabaigoje). Išleisus vandenį prietaisas taps budėjimo režimu.

3. Apsaugos nuo užšalimo funkcija: aušinimo režimu, jei EVA vamzdžio jutiklio temperatūra yra per žema, prietaisais automatiškai įveda apsaugos būseną. Kai EVA vamzdžio jutiklio temperatūra pakyla iki tam tikros temperatūros, jis gali automatiškai grįžti į normalų režimą. NUSTATYMO INSTRUKCIJA:

Šis prietaisais turi automatinę vandens išgarinimo sistemą. Kondensuoto vandens ciklas atvėsins kondensatorių, o tai ne tik padidins aušinimo efektyvumą, bet ir sutaupys energijos.

1. Jei vidinis vandens rezervuaras yra pilnas, užsidega viso vandens indikatoriaus lemputė „N“, prietaisais pereina į budėjimo režimą, garsinis signalas šaukia, kompresorius sustoja ir visi mygtukai negalioja, kol po vandens nutekėjimo prietaisais normalizuojasi.

2. Išjunkite įrenginį.

3. Paruoškite plokščią indą (komplekte nėra), kad nutekėtų vanduo. Suraskite jį po kanalizacijos anga (8)

3. Nuimkite guminį dangtelį nuo išleidimo angos (8) - F paveikslas.

4. Drenažo metu kūną galima šiek tiek pakreipti atgal.

5. Kai vanduo nustos pilti, uždarykite guminį dangtelį (8).

6. Paleiskite įrenginį iš naujo, jis veiks normaliai.

VALYMAS IR PRIEŽIŪRA

Valymas: prieš valymą ir priežiūrą išjunkite prietaisą ir atjunkite kištuką.

a) Būsto valymas

Valykite prietaiso paviršių šlapią minkšta šluoste. Nenaudokite chemikalų, tokių kaip benzenas, alkoholis, benzinas, kitaip pažeisite prietaiso paviršių ar net visą prietaisą.

b) Nailono filtrų valymas

Jei nailono filtras (12) yra užkimštas dulkelėmis, prietaiso efektyvumas sumažėja, filtrą valykite kas dvi savaites.

- Rankomis išstumkite iš išorės filtro rėmo (11) skląstį ir patraukite į save, kad nuimtumėte filtro rėmą (11).

- Nuvale viršutinį ir apatinį filtrų rėmus (11), nuėmę abu filtrus (12) nuo filtro rėmo (11). - G nuotrauka

- Įdėkite nailono filtrą (11) į šiltą vandenį su neutraliu plovikliu (apie 40 °C / 104 °F) ir išdžiovinkite jį šešelyje.

LAIKYMAS

Jei įrenginys ilgą laiką nebus naudojamas, atlikite šiuos veiksmus:

1. Ištraukite drenažo kamštį (8), kad tekėtų vanduo.

2. Leiskite prietaisui 2 valandas veikti ventilatoriaus režimu, kad išdžiūtų vidinis prietaiso sluoksnius.

3. Išjunkite prietaisą ir ištraukite kištuką.

4. Išvalykite ir išdžiovinkite filtrus, tada vėl juos įdėkite.

6. Norėdami saugiai laikyti, ištraukite išmetimo vamzdį.

6. Įdėkite prietaisą į plastikinį maišelį ir padėkite ant sausos vietos.

7. Nuimkite nuotolinio valdymo pulto baterijas ir laikykite jas tinkamai.

Laikykite prietaisą ir visus jo komponentus sausoje vietoje.

PROBLEMŲ SPRENDIMAS

I problema. Oro kondicionierius neveikia.

1 priežastis: nėra elektros. Taigi, įjunkite jį, prijungę jį prie elektros lizdo.

2 priežastis: šviečia viso vandens indikatorius „N“. Taigi, išleisk vandenį.

II problema. Įrenginys dažnai automatiškai paleidžiamas iš naujo.

1 priežastis: tiesioginiai saulės spinduliai. Taigi, nupieškite užuolaidas.

2 priežastis: durys ir langai yra atviri, kambaryje yra daug šilumos šaltinių. Taigi uždarykite duris ir langus, išmeskite šilumos šaltinius.

3 priežastis: filtrai yra per daug nešvarūs. Taigi, išvalykite arba pakeiskite filtrus.

4 priežastis: Oro įleidimo ar išleidimo angos blokuojamos. Taigi, pašalinkite užsikimšimą.

III problema: didelis triukšmas

Priežastis: įrenginys nėra pastatytas ant lygaus paviršiaus. Taigi, padėkite prietaisą ant plokščios ir kietos vietos, kad sumažintumėte triukšmą.

IV problema: kompresorius neveikia.

Priežastis: įjungiamą kompresoriaus apsauga nuo uždelsimo. Taigi palaukite 3 minutes, kol sumažės temperatūra, tada paleiskite įrenginį iš naujo.

Pastaba: iškilus nepaprastoms situacijoms, išjunkite įrenginį ir ištraukite kištuką, tač Neremontuokite prietaiso patys. Nekvalifikuotas remontas negalioja.

TECHNINIAI DUOMENYS:

Aušinimo galia BTU: 9000 BTU / val

Aušinimo galia vatais: 2640W

Energijos suvartojimas (vėsinimas) vatais: 1010 W

Triukšmo lygis: <= 65 dB

Oro srautas: 350 m³ / val

Energijos klasė: A

Džiovinimo galia: 24 litrai per parą

Aušinimo priemonė: R290 210 gramų



Atsargiai, gaisro pavojus.
NEGALIMA pradurti ir nedeginti.
Atminkite, kad šaltnešis neturi kvapo.



Rūpinantis aplinka. Kartono pakuotes atiduoti j makulatūrā. Polietileno (PE) maišielius mesti j plastikui skirtā konteinerī. Susidēvējusj prietaisā atiduoti j atitinkamā atliekū surinkimo vietā, nes prietaise esančios pavojingos medžiagos gali kelti grēsmē aplinkai. Elektrinj prietaisā atiduoti tokj, kad nebūtū galima jo pakartotinai naudoti ir panaudoti. Jeigu prietaise yra baterijos, būtina jas išimti ir atskirai atiduoti j atliekū surinkimo vietā. Nemesti prietaiso j buitiniū atliekū konteinerī!

LATVIEŠU

VISPĀRĪGIE DROŠĪBAS NOSACĪJUMI

SVARĪGAS DROŠĪBAS INSTRUKCIJAS RŪPĪGI LASĪT UN SAUDZĒT NĀKOTNĒM

1. Pirms ierīces izmantošanas izlasiet lietošanas instrukciju un ievērojiet tajā sniegtos norādījumus. Izgatavotājs nav atbildīgs par zaudējumiem, kas radušies, izmantojot ierīci pretēji paredzētajam mērķim vai nepareizu darbību.
2. Ierīce paredzēta tikai lietošanai mājās. Nelietojiet citiem mērķiem, kas nav paredzēti paredzētajam mērķim.
3. Ierīce jāpievieno maiņstrāvas kontaktligzdai tikai ar iezemētu 220 240 V ~ 50 Hz. Lai palielinātu ekspluatācijas drošību, vairākas elektriskās ierīces nedrīkst būt savienotas vienā strāvas ķēdē vienlaikus.
4. Esiet īpaši piesardzīgs, lietojot ierīci, kad tuvumā ir bērni. Neļaujiet bērniem spēlēties ar ierīci, neļaujiet to lietot bērniem vai cilvēkiem, kuri to nepazīst.
5. BRĪDINĀJUMS. Šo aprīkojumu var izmantot bērni, kas vecāki par 8 gadiem, un cilvēki ar ierobežotām fiziskām, maņu vai garīgajām spējām vai cilvēki, kuriem nav pieredzes vai zināšanu par šo aprīkojumu, ja tas tiek veikts atbildīgas personas uzraudzībā. Viņu drošībai vai viņiem ir piešķirta informācija par ierīces drošu lietošanu un viņi apzinās tās lietošanas bīstamību. Bērni nedrīkst spēlēt ar aprīkojumu. Ierīces tīrīšanu un apkopi nedrīkst veikt bērni, ja vien viņi ir vecāki par 8 gadiem un šīs darbības tiek veiktas uzraudzībā.
6. Pēc lietošanas vienmēr atvienojiet strāvas kontaktdakšu, turot kontaktligzdu ar roku. NEvelciet strāvas vadu.
7. Neiegremdējiet kabeli, kontaktdakšu un visu ierīci ūdenī vai citā šķidrumā. Nepakļaujiet ierīci atmosfēras iedarbībai (lietus, saule utt.) Vai nelietojiet paaugstināta mitruma apstākļos (vannas istabas, mitras pārvietojamās mājas).
8. Periodiski pārbaudiet strāvas vada stāvokli. Ja strāvas vads ir bojāts, tas jāmaina specializētā remontdarbnīcā, lai izvairītos no briesmām.
9. Nelietojiet ierīci ar bojātu strāvas vadu, ja tā ir nomesta vai citādi bojāta, vai arī tā nedarbojas pareizi. Neuzlabojiet ierīci pats, jo pastāv elektriskās strāvas trieciena risks. Nogādājiet bojāto ierīci pārbaudei vai labošanai atbilstošā servisa centrā. Visus remontdarbus drīkst veikt tikai pilnvaroti servisa punkti. Nepareizi veikts remonts var radīt nopietnas briesmas lietotājam.
10. Novietojiet ierīci uz vēsas, stabilas virsmas, prom no karstām virtuves ierīcēm, piemēram, elektriskās plīts, gāzes degļa utt.
11. Pārliecinieties, ka nekas neliedz ierīces gaisa ieplūdi un izplūdi
12. Izmantojiet ierīci tikai uz līdzenas virsmas, lai novērstu kondensāta izliešanu
13. Lai nodrošinātu papildu aizsardzību, ieteicams elektriskajā ķēdē uzstādīt atlikušās strāvas ierīci (RCD) ar nominālo atlikušo strāvu, kas nepārsniedz 30mA. Par to jautājiet elektriķim.
14. Regulāri notīriet gaisa filtru. Tīrīšanas biežums ir atkarīgs no gaisa tīrības.

15. Pēc mašīnas izslēgšanas nogaidiet vismaz 5 minūtes, pirms to atkal ieslēdzat.
16. Nelietojiet ierīci saulainās vietās. Kad ierīce pārkarst, ierīce pārkaršanās laikā ieslēdzas.
17. Lai nodrošinātu efektīvu dzesēšanu, starp ierīces sānu sienām un sienu, mēbelēm vai aizkariem jābūt vismaz 50 cm attālumam.
18. Ierīces ierobežotās darbības dēļ, ja starpība starp mērķa temperatūru un apkārtējās vides temperatūru ir pārāk liela, mērķa temperatūra var netikt sasniegta.
19. Lai samazinātu ugunsgrēka, elektriskās strāvas trieciena vai ievainojumu risku, lietojot gaisa kondicionieri, ievērojiet šādus pamata piesardzības pasākumus:
 - a) Pievienojiet iezemētai kontaktligzdai ar 3 tapām.
 - b) nenogremiet zemējuma galu.
 - c) Nelietojiet adapteri.
 - d) Nelietojiet pagarinātāju.
 - e) Pirms apkopes atvienojiet gaisa kondicionieri.
 - f) Gaisa kondicionētāja pārvietošanai un uzstādīšanai izmantojiet divus vai vairāk cilvēkus.
20. Nelietojiet līdzekļus, kas paātrina atkausēšanas vai tīrīšanas procesu, izņemot tos, kurus ieteicis ražotājs.
21. Ierīce jāuzglabā telpā, kurā pastāvīgi nedarbojas aizdedzes avoti, piemēram: atklāta uguns, gāzes ierīces vai elektriskie sildītāji.

PIRMS PIRMĀ LIETOŠANAS

Pārvietojot ierīci, pārliecinieties, ka tā atrodas vertikālā stāvoklī. Pirms gaisa kondicioniera lietošanas vismaz 2 stundas turiet to vertikālā stāvoklī.

Ierīces apraksts - LOKālais gaisa kondicionieris CR7929 - A attēls

- | | |
|--------------------------------|---|
| 1. Vadības panelis | 2. Aukstā gaisa izvads |
| 3. Tālvadības pults (attēls E) | 4. Rokturis |
| 5. Gaisa ieplūdes atveres | 6. Gaisa izplūdes caurule |
| 7. Izplūdes savienotājs | 8. Notekas caurums ar gumijas vāciņu (F attēls) |
| 9. Logu izplūdes adapters | 10. Gaisa izplūdes caurules savienotājs |
| 11. Filtra rāmis | 12. Neilona filtrs |

13. Drenāžas aizbāznis

Vadības paneļa apraksts - D attēls.

- A. Barošanas poga
- C. Temperatūras pazemināšanas / taimera samazināšanas poga dzesēšanas režīmā
- D. Temperatūras paaugstināšanas / taimera palielināšanas poga dzesēšanas režīmā
- E. Miega modeļa poga
- F. Ventilatora režīma poga
- G. Taimera poga
- H. Automātiska gaisa svārstību poga
- I. LED ekrāns
- J. Atdziesēšanas režīma poga
- K. Sausināšanas poga
- L. lēna ventilatora ātruma poga
- M. Ātra ventilatora ātruma poga
- N. Ūdens pilns indikators

Tālvadības pults - E attēls

- A. Barošanas poga
- B. Režīma izvēles poga
- C. Temperatūras / taimera samazināšanas poga
- D. Temperatūras / taimera iestatīšanas poga
- E. Miega režīma poga
- F. Ventilatora ātruma izvēles poga

- G. Taimera poga
- H. Gaisa svārstību poga

Vadības paneļa manuāla darbība - D attēls

Pirmoreiz ieslēdzot signālu, atskanēs skaņas signāls, un pēc tam ierīce nonāk gaidīšanas režīmā.

Nospiediet pogu "A", lai ieslēgtu un izslēgtu ierīci, signāls vienreiz atskaņos signālu.

REŽĪMA ATLAŠE vadības paneļa manuālai darbībai -

Kad ierīce ir ieslēgta, izvēlieties nepieciešamo režīmu starp dzesēšanas režīmu vai ventilatora režīmu vai gaisa mitrināšanas režīmu, kā norādīts zemāk:

Dzesēšanas režīms -

- Nospiediet pogu "J", lai izvēlētos dzesēšanas režīmu, nākamreiz nospiediet pogu "L", lai iegūtu mazu ventilatora ātruma pogu, vai nospiediet pogu "M", lai iegūtu ātru ventilatora ātruma pogu. Nākamo reizi nospiediet pogu "C" vai "D", lai noregulētu nepieciešamo temperatūru no 16 °C līdz 31 °C, poga nav pieejama ventilatora vai gaisa mitrināšanas režīmā.

Ventilatora režīms -

- Nospiediet pogu "F", lai izvēlētos ventilatora režīmu, LCD ekrānā parādīsies "FA", nākamreiz nospiediet pogu "L", lai iegūtu lēnu ventilatora ātruma pogu, vai nospiediet pogu "M", lai iegūtu ātru ventilatora ātruma pogu. Ventilatora režīma laikā temperatūras un miega funkcijas nevar iestatīt.

Sausināšanas režīms -

- Nospiediet pogu "K", lai izvēlētos mitrināšanas režīmu, LCD ekrānā parādīsies "dh". Gaisa mitrināšanas režīmā miega režīmu nevar iestatīt, un ventilatora ātrums tiek automātiski noteikts uz lēna ventilatora ātruma, un to nevar mainīt. Lai izslēgtu mitrināšanas režīmu, izvēlieties citu darbības režīmu: dzesēšanas vai ventilatora režīmu. Drenāžas aizbāžņa (13) funkcija ir kondensāta ūdens novadīšana no ierīces augšējās daļas. Tās izmantošanu nosaka atbilstoši vietējam gaisa mitrumam. Nepieciešams atvērt iztukšošanas aizbāzni (13) un izliet kondensāta ūdeni, ja ierīce darbojas, ja vietējais gaisa mitrums ir augsts vai ierīce nepārtraukti darbojas mitrināšanas režīmā 12–24 stundas. Sausā dzesēšanas režīmā (zems gaisa mitrums) nav nepieciešams atvērt iztukšošanas aizbāzni (13), jo nav nepieciešams iztukšot kondensātu.

Taimera iestatīšana -

- Kad ierīce nedarbojas, nospiediet pogu "G", LCD ekrāns mirgo, nospiediet pogu "C" vai "D", lai iestatītu stundu skaitu pēc tam, kad ierīce sāks darboties. LCD ekrāns pārstāj mirgot, un tiks izgaismota taimera ikona.

- Kad ierīce darbojas, nospiediet pogu "G", LCD ekrāns mirgo, nospiediet pogu "C" vai "D", lai iestatītu stundu skaitu, kas jāpaiet, pirms ierīce automātiski izslēgsies. LCD ekrāns pārstāj mirgot, tiek izgaismota taimera ikona, LCD ekrānā tiek parādīts nepieciešamais temperatūra. Šī ir aizkavēta starta funkcija.

Taimera darbības diapazonu var noteikt katru stundu no 1 līdz 24 stundām.

Miega režīms -

- Sākumā nospiediet pogu "J" uz dzesēšanas režīmu, pēc tam nospiediet pogu "E", lai ieslēgtu miega režīmu, tad ierīce darbosies enerģijas taupīšanas un klusā tipa režīmā.

- Pēc tam nospiediet pogu "C" vai "D", lai noregulētu nepieciešamo temperatūru no 16 °C līdz 31 °C.

- Miega režīms tiek automātiski ieprogrammēts. Pēc pirmās darba stundas temperatūra paaugstināsies par 1 °C, pēc otrās darba stundas temperatūra paaugstināsies vēl par 1 °C, un pēc tam paliks tajā pašā līmenī.

- Vēlreiz nospiediet pogu "E", lai atceltu miega režīmu.

PIEZĪME Miega režīms nav pieejams gaisa mitrināšanas un ventilatora režīmos.

Ūdens pilns -

Iedegsies pilna ūdens indikatora lampiņa "N", un skaņas signāls signalizēs vairākas sekundes, pēc tam kompresors darbosies, kad iekšējās ierīces ūdens tvertne būs pilna.

Automātiska gaisa svārstību funkcija -

Nospiediet gaisa svārstību pogu (H), pēc tam, kad ierīce ieslēdzas, ieslēdzas automātiskās gaisa svārstību funkcija, žalūzijas nepārtraukti svārstīsies pa kreisi un pa labi; vēlreiz nospiežot pogu, kustība apstāsies un žalūzija paliks šajā pozīcijā.

Gaisa horizontālā svārstību rādītājs ir 30 grādi pa kreisi un 30 grādi pa labi virzienā no vidējās vertikāles.

Tālvadības pults darbība - attēls E

Tālvadības pults pārsūta signālus uz sistēmu.

Poga "A" - ierīce tiks iedarbināta, kad tā tiks barota, vai arī tiks apturēta, ja vēlreiz nospiedīsīt šo pogu.

Poga "B" - nospiediet to, lai izvēlētos darbības režīmu: vēss režīms → sausais režīms → ventilatora režīms.

Poga "C" / "D" - nospiediet, lai iestatītu darbības laiku no 1 līdz 24 stundām vai nepieciešamo istabas temperatūru no 15 līdz 31 °C, kad ieslēgts dzesēšanas režīms.

Poga "E" - nospiediet to, lai iestatītu vai atceltu miega režīmu.

Poga "F" - nospiediet to, lai secīgi izvēlētos ventilatora ātrumu: lēns / ātrs vēja ātrums.

Poga "G" - nospiediet to, lai iestatītu vai atceltu taimerī.

Poga "H" - nospiediet, lai iestatītu vai atceltu automātisko gaisa svārstību funkciju.

AIZSARDZĪBAS IERĪCES

1. Kompresora aizsardzība: Trīs minūtes vēlāk pēc ieslēgšanas / restartēšanas kompresors sāk darboties.

2. Pārplūdes aizsardzības funkcija: kad iedegsies pilna ūdens indikatora lampiņa "N" un vairākas sekundes sāksies signāls, ierīce automātiski izslēgsies. Šajā gadījumā jums ir jāiztukšo ūdens (sīkāku informāciju skatiet kanalizācijas instrukcijas šīs nodaļas beigās). Pēc ūdens iztukšošanas ierīce nonāk gaidīšanas režīmā.

3. Aizsardzība pret salu: Ja dzesēšanas režīmā EVA caurules sensora temperatūra ir pārāk zema, ierīce automātiski noķūst aizsardzības statusā. Kad EVA caurules sensora temperatūra paaugstinās līdz noteiktai temperatūrai, tas var automātiski atgriezties normālā darbībā.

DRĪZINĀŠANAS INSTRUKCIJA

Šī ierīce ir aprīkota ar automātisku ūdens iztvaikošanas sistēmu. Kondensēta ūdens cikls atdzesēs kondensatoru, kas ne tikai uzlabos dzesēšanas efektivitāti, bet arī ietaupīs enerģiju.

1. Ja iekšējā ūdens tvertne ir pilna, iedegas pilna ūdens indikatora lampiņa "N", ierīce nonāk gaidstāves režīmā, zvana signāli, kompresora apstāšanās un visas pogas ir nederīgas, līdz ierīce pēc ūdens novadīšanas atjaunojas kā normāla.

2. Izslēdziet ierīci.

3. Sagatavojiet plakanu trauku (nav komplektā), lai iztukšotu ūdeni. Atrodiet to zem notekas atveres (8)

3. Noņemiet gumijas vāciņu no kanalizācijas atveres (8) - F attēls.

4. Drenāžas laikā ķermeni var nedaudz noliekt atpakaļ.

5. Pēc tam, kad ūdens pārstāj izliet, aizveriet gumijas vāciņu (8).

6. Restartējiet ierīci, ierīce darbosies normāli.

TĪRĪŠANA UN APKOPE

Tīrīšana: pirms tīrīšanas un apkopes izslēdziet ierīci un atvienojiet kontaktdakšu.

a) Mājoķļa tīrīšana

Notīriet ar ierīces virsmu ar mitru, mīkstu drānu. Nelietojiet ķīmiskas vielas, piemēram, benzolu, spirtu, benzīnu, pretējā gadījumā tiks sabojāta ierīces virsma vai pat visa ierīce.

b) Tikla neilona filtru tīrīšana

Ja neilona filtrs (12) ir aizsērējis ar putekļiem, tad ierīces efektivitāte samazinās, noteikti notīriet filtru reizi divās nedēļās.

- Ar rokām piespiediet no filtra rāmja (11) aizbīdņa un izvelciet pats, lai noņemtu filtra rāmi (11).

- Notīriet augšējo un apakšējo filtru rāmi (11) pēc abu neilona filtru (12) noņemšanas no filtra rāmja (11). - G attēls

- Ielieciet neilona filtru (11) siltā ūdenī ar neitrālu mazgāšanas līdzekli (apmēram 40 °C / 104 °F) un pēc tīras skalošanas nosusiniet to ēnā.

UZGLABĀŠANA

Ja ierīce ilgstoši netiks lietota, rīkojieties šādi:

1. Izvelciet kanalizācijas aizbāzni (8), lai izplūstu ūdens.

2. Ļaujiet ierīcei 2 stundas darboties ventilatora režīmā, lai ierīces iekšējā daļa izžūtu.

3. Izslēdziet ierīci un izvelciet kontaktdakšu.

4. Izfīrēt un nožāvējiet filtrus, pēc tam tos atkārtoti uzstādiat.

5. Izvelciet izplūdes cauruli, lai to droši turētu.

6. Ielieciet ierīci plastmasas maisiņā un novietojiet to uz sausas vietas.

7. Noņemiet tālvadības pults baterijas un glabājiet tās pareizi.

Glabājiet ierīci un visus tās komponentus sausā vietā.

PROBLĒMU NOVĒRŠANA

I problēma. Gaisa kondicionieris nedarbojas.

1. Iemesls: nav elektrības. Tātad, izslēdziet to pēc kontaktlīgšanas ar elektrību.

2. Iemesls: deg pilnīga ūdens indikators "N". Tātad, izlejiet ūdeni.

II problēma: ierīce automātiski restartējas.

1. Iemesls: tieša saules gaisma. Tātad, uzzīmēja aizkarus.

2. Iemesls: durvis un logi ir atvērti, telpā ir daudz siltuma avotu. Tātad, aizveriet durvis un logus, pārvietojiet siltuma avotus.

3. Iemesls: filtri ir pārāk netīri. Tātad, notīriet vai nomainiet filtrus.

4. Iemesls: gaisa ieplūde vai izplūde ir bloķēta. Tātad, noņemiet aizsprostojumu.

III problēma: liels troksnis

Iemesls: ierīce nav novietota uz līdzenas virsmas. Tātad, novietojiet ierīci uz līdzenas un cietas vietas, lai samazinātu troksni.

IV problēma: Kompresors nedarbojas.

Iemesls: ieslēdzas kompresora aizsardzība pret kavēšanos. Tāpēc pagaidiet 3 minūtes, līdz temperatūra tiek pazemināta, un pēc tam restartējiet ierīci.

Piezīme: ja rodas neparastas situācijas, izslēdziet ierīci un izvelciet kontaktdakšu, pēc tam sazinieties ar profesionālo servisu, lai saņemtu palīdzību.

TEHNISKIE DATI:

Dzesēšanas jauda BTU: 9000 BTU / stundā
Dzesēšanas jauda vatos: 2640W
Enerģijas patēriņš (dzesēšanai) vatos: 1010 W
Trokšņa līmenis: <= 65dB
Gaisa plūsma: 350 m³ / stundā
Enerģijas klase: A
Žāvēšanas jauda: 24 litri / 24 stundas
Dzesēšanas līdzeklis: R290 210 grami



Piesardzība, ugunsbīstamība.
NAV caurdurt un nedezināt.
Nemiet vērā, ka dzesēšanas šķidrums nedrīkst būt smakas.



Apkārtējās vides aizsardzība. Kartona iepakojumu, lūdzu, nododiet atsevišķai pārstrādei. Polietilēna maisījumus (PE) izmest plastmasas izstrādājumiem paredzētajos konteineros. Lietotās elektropreces nododiet attiecīgajos pieņemšanas punktos. Ierīcē satur bīstamas sastāvdaļas, kas var izraisīt draudus apkārtējai videi. Elektroierīce jānodod tā, lai ierobežotu tās atkārtotu izmantošanu. Ja ierīcē atrodas baterijas, izņemiet tās un nododiet pieņemšanas punktā atsevišķi. Produktu neizmest sadzīves atkritumu konteinerā!

EESTI

ÜLDISED OHUTUSTINGIMUSED

OLULISED OHUTUSJUHISED LUGEGE ETTEVAATUST JA HOIDKE TULEVIKKU

1. Enne seadme kasutamist lugege kasutusjuhendit ja järgige selles sisalduvaid juhiseid. Tootja ei vastuta kahjude eest, mis on põhjustatud seadme eesmärgipärasest kasutamisest või ebaõigest kasutamisest.
2. Seade on ette nähtud ainult koduseks kasutamiseks. Ärge kasutage muuks otstarbeks kui otstarbeks.
3. Seadme toiteallikat tuleks ühendada ainult maandatud 220 240 V ~ 50 Hz sagedusega. Tööohutuse suurendamiseks ei tohiks mitu vooluahelat üheaegselt ühendada.
4. Kui olete läheduses, kasutage seadet eriti ettevaatlikult. Ärge lubage lastel seadmega mängida, ärge lubage lastel ega inimestel, kes pole seadmega tuttavad, seda kasutada.
5. HOIATUS. Seda seadet võivad kasutada üle 8-aastased lapsed ja piiratud füüsilise, sensoorse või vaimse võimekusega inimesed või inimesed, kellel pole seadme kasutamise kohta kogemusi ega teadmisi, kui seda tehakse vastutava isiku järelevalve all. nende ohutuse tagamiseks või neile on antud teavet seadme ohutu kasutamise kohta ja nad on teadlikud selle kasutamisega seotud ohtudest. Lapsed ei tohiks varustusega mängida. Seadme puhastamist ja hooldamist tohivad teha ainult lapsed, välja arvatud juhul, kui nad on üle 8 aasta vanad ja neid toiminguid teostatakse järelevalve all.
6. Ühendage toitepistik alati lahti, hoides pärast kasutamist pistikupesast käega. ÄRGE tõmmake toitejuhtmest.
7. Ärge kastke kaablit, pistikut ja kogu seadet vette ega muusse vedelikku. Ärge jätke seadet atmosfääriolude (vihm, päike jne) kätte ega kasutage kõrge õhuniiskusega tingimustes (vannituba, niiske liikuv kodu).
8. Kontrollige perioodiliselt toitejuhtme seisukorda. Kui toitejuhe on kahjustatud, peaks selle ohu vältimiseks välja vahetama spetsialiseeritud remonditöökojas.
9. Ärge kasutage seadet kahjustatud toitejuhtmega, kui see on maha kukkunud või muul viisil kahjustatud või kui see ei tööta korralikult. Ärge parandage seadet ise, kuna seal võib tekkida elektrilöögi oht. Viige kahjustatud seade kontrollimiseks või parandamiseks vastavasse teeninduskeskusesse. Kõiki remonditöid tohivad teha ainult selleks volitatud

- teeninduspunktid. Valesti tehtud remonditööd võivad kasutajale põhjustada tõsiseid ohte.
10. Asetage seade jahedale, kindlale pinnale, eemal kuumadest köögiseadmetest, nagu näiteks: elektripliit, gaasipõleti jne.
 11. Veenduge, et miski ei blokeeri seadme õhu sisse- ja väljalaskeava
 12. Kasutage seadet ainult tasasel pinnal, et vältida kondensaadi väljavoolamist
 13. Täiendava kaitse tagamiseks on soovitatav paigaldada vooluahelasse jääkvoolu seade (RCD), mille nimijärgivool ei ületa 30mA. Küsige seda elektrikult.
 14. Puhastage regulaarselt õhufiltrit. Puhastamise sagedus sõltub õhu puhtusest.
 15. Pärast masina väljalülitamist oodake enne sisselülitamist vähemalt 5 minutit.
 16. Ärge kasutage seadet päikesepaistelistes kohtades. Kui seade üle kuumeneb, lülitatakse ülekuumenemise kaitse seade sisse.
 17. Tõhusa jahutuse tagamiseks tuleks seadme külgeinte ja seina või mööbli või kardinate vahel hoida vähemalt 50 cm vahemaa.
 18. Seadme piiratud jõudluse tõttu võib sihttemperatuuri mitte saavutada, kui sihttemperatuuri ja ümbritseva õhu temperatuuride erinevus on liiga suur.
 19. Tulekahju, elektrilöögi või vigastuste ohu vähendamiseks kliimaseadme kasutamisel järgige järgmisi põhilisi ettevaatusabinõusid:
 - a) Ühendage 3 tihvtiga maandatud pistikupesaga.
 - b) Ärge eemaldage maandusharku.
 - c) Ärge kasutage adapterit.
 - d) Ärge kasutage pikendusjuhet.
 - e) Enne hooldust ühendage konditsioneer lahti.
 - f) Kliimaseadme teisaldamiseks ja paigaldamiseks kasutage kahte või enam inimest.
 20. Sulatamise või puhastamise kiirendamiseks kasutage ainult tootja soovitatud vahendeid.
 21. Seadet tuleks hoida ruumis, kus pole pidevalt töötavaid süüteallikaid, näiteks: lahtine tuli, gaasiseadmed või elektrikerised.

ENNE ESIMENE KASUTAMIST

Seadme teisaldamisel veenduge, et see oleks püstises asendis. Enne õhukonditsioneeriga kasutamist hoidke seda vähemalt 2 tundi püstiasendis.

Seadme kirjeldus - KOHALIK Konditsioneer CR7929 - pilt A

- | | |
|-----------------------------|--|
| 1. Juhtpaneel | 2. Külma õhu väljalaskeava |
| 3. Kaugjuhtimispuh (pilt E) | 4. Käepide |
| 5. Õhu sisselaskesavad | 6. Õhu väljalasketoru |
| 7. Väljalaskeühendus | 8. Kummist korgiga tühjendusava (pilt F) |
| 9. Akna väljalaskeadapter | 10. Õhu väljalasketoru liitmik |
| 11. Filtri raam | 12. Nailonfilter |
| 13. Tühjendus kork | |

Juhtpaneeli kirjeldus - pilt D.

- A. Toitenupp
- C. Temperatuuri alandamise / taimeri allannupp jahutusrežiimis
- D. Temperatuuri tõstmise / taimeri üleslülitamise nupp jahutusrežiimis
- E. Unerežiimi nupp
- F. Ventilatori režiimi nupp
- G. Taimeri nupp
- H. Automaatne õhu võnkumise nupp
- I. LED-ekraan
- J. Jahutusrežiimi nupp
- K. Kuivatusunupp

- L. Ventilatori aeglase kiiruse nupp
- M. Kiire ventilatori kiiruse nupp
- N. Täisveetuli

Kaugjuhtimispuult - pilt E

- A. Toitenupp
- B. Režiimi valimise nupp
- C. Temperatuuri / taimeri allannupp
- D. Temperatuuri / taimeri ülesnupp
- E. Unerežiimi nupp
- F. Ventilatori kiiruse valiku nupp
- G. Taimer nupp
- H. Õhu võnkumise nupp

Juhtpaneeli käsitsi juhtimine - pilt D

Kui sisse lülitatakse esimest korda, kostab helisignaal ja seade läheb ooterežiimi.

Vajutage seadme sisse- ja väljalülitamiseks nuppu A, helisignaal mängib üks kord.

REŽIIMIVALIK juhtpaneeli käsitsi juhtimisel -

Kui seade on sisse lülitatud, valige jahutusrežiimi, ventilatori või kuivatamise režiimi vahel nagu allpool:

Jahutusrežiim -

- Vajutage nuppu J, et valida jahutusrežiim, järgmisel korral vajutage nuppu L, et saada aeglane ventilatori kiiruse nupp, või vajutage nuppu M, et saada kiire ventilatori kiiruse nupp. Järgmiseks vajutage nuppu C või D, et reguleerida vajalikku temperatuuri vahemikus 16 °C kuni 31 °C, ventilatori või õhukuivatamisrežiimis nupud pole saadaval.

Ventilatori režiim -

- Vajutage nuppu F, et valida ventilatori režiim, vedelkristallekraanil kuvatakse „FA“, järgmisel korral vajutage nuppu L, et saada aeglane ventilatori kiiruse nupp, või vajutage nuppu „M“, et saada kiire ventilatori kiiruse nupp. Ventilatori režiimi ajal ei saa temperatuuri ja magamiskeskkonna seadistada.

Kuivatamisrežiim -

- Kuivatamisrežiimi valimiseks vajutage nuppu „K“, LCD-ekraanil kuvatakse „dh“. Kuivatamisrežiimis ei saa puhkerežiimi seadistada ning ventilatori kiirus fikseeritakse ventilatori aeglasel kiirusel automaatselt ning seda ei saa muuta. Kuivatamisrežiimi väljalülitamiseks valige mõni muu töörežiim: jahutus või ventilatori režiim. Tühjenduskorgi (13) ülesanne on kondensaadivee ärajuhumine seadme ülemisest osast. Selle kasutamine määratakse vastavalt kohalikele õhuniiskusele. Kui seade töötab, kui kohalik õhuniiskus on kõrge või kui seade töötab pidevalt kuivatamisrežiimis 12–24 tundi, tuleb tühjenduskork (13) avada ja kondensaadivee välja valada. Kuiva jahutuse režiimis (madal õhuniiskus) ei ole vaja tühjenduskorki (13) avada, kuna kondensaati ei ole vaja tühjendada.

Taimeri seadistamine -

- Kui seade ei tööta, vajutage nuppu „G“, vedelkristallekraan vilgub, vajutage nuppu „C“ või „D“, et seadistada tundide arv pärast seadme tööle hakkamist. Vedelkristallekraan lakkab vilkumast ja taimerikoon süttib.

- Kui seade töötab, vajutage nuppu „G“, vedelkristallekraan vilgub, vajutage nuppu „C“ või „D“, et seadistada tundide arv, mis peab mööduma, enne kui seade automaatselt välja lülitub. Vedelkristallekraan ei vilgu, taimerikoon süttib, temperatuuri saavutamiseks on vaja LCD-ekraani. See on hilinenud käivitusfunktsioon.

Taimeri töövahemikku saab fikseerida iga tunniga 1 kuni 24 tundi.

Puhkerežiim -

- Algses vajutage jahutusrežiimile nuppu J, järgmisel puhkerežiimi sisselülitamiseks nuppu E, seejärel töötab seade energiasäästliku ja vaikse režiimi režiimis.

- Järgmiseks vajutage nuppu „C“ või „D“, et reguleerida vajalikku temperatuuri vahemikus 16 °C kuni 31 °C.

- Puhkerežiim programmeeritakse automaatselt. Pärast esimest töötundi tõuseb temperatuur 1 °C, pärast teist töötundi tõuseb temperatuur veel 1 °C ja püsib samal tasemel.

- Unerežiimi tühistamiseks vajutage uuesti nuppu E.

MÄRKUS. Unerežiim pole õhuniiskuse ja ventilatori režiimides saadaval.

Vesi täis -

Vee täis indikaatorlamp „N“ põleb ja helisignaal annab mitu sekundit märku, siis peatub kompressor tööle, kui sisemise seadme veepaak on täis.

Automaatne õhu võnkumise funktsioon -

Vajutage õhu võnke nuppu (H), pärast seadme sisselülitumist lülitub sisse automaatne õhu võnkumise funktsioon, luuk pöörduv pidevalt vasakule ja paremale; nuppu uuesti vajutades liikumine peatub ja luuk jääb sellesse asendisse.

Õhu horisontaalse võnkumise raadius on keskmises vertikaalst 30 kraadi vasakule ja 30 kraadi paremale.

Kaugjuhtimispuhldi töö - pilt E

Kaugjuhtimispuhldi edastab signaale süsteemile.

Nupp "A" - seade käivitatakse pärast selle sisselülitamist või peatatakse, kui seda nuppu uuesti vajutada.

Nupp "B" - vajutage seda töörežiimi valimiseks: jahutusrežiim → kuivrežiim → ventilaatori režiim.

Nupp "C" / "D" - vajutage, et seadistada tööaeg vahemikus 1 kuni 24 tundi või vajalik toatemperatuur vahemikus 15 kuni 31 ° C, kui jahutusrežiim on sisse lülitatud.

Nupp "E" - vajutage seda unerežiimi seadistamiseks või tühistamiseks.

Nupp "F" - vajutage seda ventilaatori kiiruse valimiseks järjest: aeglane / kiire tuule kiirus.

Nupp "G" - vajutage seda taimeri seadistamiseks või tühistamiseks.

Nupp "H" - vajutage automaatse õhuvõnkumise funktsiooni seadistamiseks või tühistamiseks.

Kaitseseadmed

1. Kompressori kaitse: kolm minutit hiljem pärast sisselülitamist / taaskäivitamist hakkab kompressor tööle.

2. Ülevoolukaitsefunktsioon: kui veetähtise märgutuli "N" põleb ja helisignaali mitme sekundi vältel märku annab, lülitub seade automaatselt välja. Sel juhul peate vee tühjendama (üksikasju vt selle peatüki lõpus toodud dreanaazjuhenditest). Pärast vee tühjendamist saab seade ooterežiimi.

3. Külmakaitsefunktsioon: jahutusrežiimis, kui EVA-toruanduri temperatuur on liiga madal, siseneb seade automaatselt kaitse olekusse. Kui EVA-toruanduri temperatuur tõuseb teatud temperatuurini, võib see automaatselt normaliseeruda.

LAHASTAMISJUHISED:

See seade on varustatud automaatse vee aurustussüsteemiga. Kondenseeritud veeringlus jahutab kondensaatori maha, mis mitte ainult ei paranda jahutamise efektiivsust, vaid säästab ka energiat.

1. Kui sisemine veepaak on täis, süttib täisvee indikaatorlamp "N", seade lülitub ooterežiimi, helisignaali hüüab, kompressor seiskub ja kõik nupud on kehtetud, kuni seade taastub normaalseks pärast vee äravoolu.

2. Lülitage seade välja.

3. Valmistage vee tühjendamiseks ette mahuti (komplekti ei kuulu). Leidke see äravooluava alt (8)

3. Eemaldage tühjendusavast kummikork (8) - pilt F

4. Dreanaazi ajal saab keha kergelt tahapoolle kallutada.

5. Pärast vee väljalaskmist sulgege kummikork (8).

6. Taaskäivitage seade, seade töötab normaalselt.

PUHASTAMINE JA HOOLDUS

Puhastamine: enne puhastamist ja hooldust lülitage seade välja ja eemaldage pistik pistikupesast.

a) Korpuse puhastamine

Puhastage seadme pinda märja pehme lapiga. Ärge kasutage kemikaale, näiteks benseeni, alkoholi, bensiini, vastasel juhul kahjustatakse seadme pinda või isegi kogu seadet.

b) Net nailonfiltrite puhastamine

Kui nailonfilter (12) on tolmuga ummistunud, väheneb seadme efektiivsus. Puhastage kindlasti filtrit iga kahe nädala tagant.

- Keerake kätet filtriraami (11) riivist väljastpoolt alla ja tõmmake enda jaoks välja, et filtriraam (11) eemaldada.

- Pärast mõlema nailonfiltrit (12) eemaldamist filtriraamilt (11) puhastage ülemine ja alumine filtri raam (11). - pilt G

- Pange nailonfilter (11) neutraalse puhastusvahendiga (umbes 40 ° C / 104 ° F) sooja vette ja kuivatage pärast puhta loputamist varjus.

LADUSTAMINE

Kui seadet ei kasutata pikka aega, toimige järgmiselt:

1. Tõmmake vee väljavoolu jaoks äravoolukork (8).

2. Laske seadmel 2 tundi töötada ventilaatori režiimis, et seadme sisemus kuivaks.

3. Lülitage seade välja ja tõmmake pistik välja.

4. Puhastage ja kuivatage filtrid, seejärel installige need uuesti.

5. Turvaliseks hoidmiseks tõmmake väljalasketoru välja.

6. Pange seade kilekotti ja asetage see kuiva kohta.

7. Eemaldage kaugjuhtimispuhldi patareid ja hoidke neid korralikult.

Hoidke seadet ja kõiki selle komponente kuivas kohas.

Rikkeotsing

I probleem: kliimaseade ei tööta.

Põhjus 1: elektrit pole. Niisiis, lülitage see sisse pärast elektri pistikupesusa ühendamist.

Põhjus 2: Täisvee märgutuli "N" põleb. Niisiis, tühjendage vesi.

II probleem: seade taaskäivitub sageli.

Põhjus 1: otsene päikesevalgus. Niisiis, tõmmake kardinad.

Põhjus 2: ukсед ja aknad on avatud, ruumis on palju soojusallikaid. Niisiis, sulgege uks ja aknad, viige soojusallikad välja.

Põhjus 3: filtrid on liiga määrdunud. Niisiis, puhastage või vahetage filtrid.

Põhjus 4: õhu sisse- või väljalaskeava on blokeeritud. Niisiis, eemaldage ummistus.

III probleem: suur müra

Põhjus: seadet ei asetata tasasele pinnale. Niisiis, pange seade müra vähendamiseks tasasele ja kõvale kohale.

IV probleem: Kompressor ei tööta.

Põhjus: kompressori viivituskaitse lülitatakse sisse. Nii et oodake 3 minutit, kuni temperatuur on alanenud, ja taaskäivitage seade.

Märkus. Ebanormaalsete olukordade ilmnemisel lülitage seade välja ja tõmmake pistik välja. Seejärel pöörduge abi saamiseks professionaalse teeninduse poole.

Ärge parandage seadet ise. Mittekvalifitseeritud remont tühistab garantii.

TEHNILISED ANDMED:

Jahutusvõimsus BTU juures: 9000 BTU tunnis

Jahutusvõimsus vattides: 2640W

Energiatarve (jahutamine) vattides: 1010 W

Müratase: <= 65 dB

Õhuvool: 350 m³ / tunnis

Energiaklass: A

Kuivamisvõimsus: 24 liitrit / 24 tundi

Jahutusaine: R290 210 grammi

Hoolitse keskkonnakaitse eest.

Kartongist pakendid vii makulatuuri. Kilekotid (PE) viska kasutatud plastiku jaoks ettenähtud mahutitesse. Kasutatud seadmed vii selleks ettenähtud kogumispunktidesse, sest seadmes leiduvad ohtlikud elemendid võivad olla kahjulikud keskkonnale. Elektriseadmed tuleb anda nii ära, et seadet ei saaks enam uuesti kasutada. Kui seadmes on patareid, tuleb need välja võtta ja anda eraldi kogumispunkti. Seadet ei tohi visata olmejäätmete konteineritesse!!



Ettevaatust, tuleoht.

MITTE läbibista ega põletada.

Pange tähele, et külmutusagens ei pruugi lõhna sisaldada.



ROMÂNĂ

CONDIȚII GENERALE DE SIGURANȚĂ

INSTRUCȚIUNI DE SIGURANȚĂ IMPORTANTE CITIȚI ÎNCETARE ȘI SALVAȚI PENTRU VIITOR

1. Înainte de a utiliza dispozitivul, citiți manualul de operare și urmați instrucțiunile conținute de acesta. Producătorul nu este responsabil pentru daunele cauzate de utilizarea dispozitivului contrar scopului intenționat sau a funcționării necorespunzătoare a acestuia.
2. Aparatul este numai pentru uz casnic. Nu folosiți în alte scopuri care nu sunt destinate scopului său.
3. Dispozitivul trebuie conectat numai la o priză de curent alternativ cu o masă de pământ 220 240V ~ 50Hz. Pentru a spori siguranța operațională, mai multe dispozitive electrice nu ar trebui conectate la un circuit de curent în același timp.
4. Aveți precauție extremă atunci când utilizați dispozitivul când copiii sunt în apropiere. Nu permiteți copiilor să se joace cu dispozitivul, nu lăsați copiii sau persoanele necunoscute de dispozitiv să-l folosească.
5. AVERTIZARE: Acest echipament poate fi utilizat de copii peste 8 ani și de persoane cu capacitate fizică, senzorială sau mentală limitată sau de persoane care nu au experiență sau cunoștințe despre echipament, dacă acest lucru este realizat sub supravegherea unei persoane responsabile pentru siguranța lor sau le-a fost oferită informații despre utilizarea în siguranță a dispozitivului și sunt conștienți de pericolele folosirii acestuia. Copiii nu ar trebui să se joace cu echipamentul. Curățarea și întreținerea dispozitivului nu trebuie să fie efectuată de către copii, cu excepția cazului în care au peste 8 ani și aceste activități sunt desfășurate sub supraveghere.
6. Deconectați întotdeauna mufa de alimentare ținând priza cu mâna după utilizare. NU trageți cablul de alimentare.
7. Nu scufundați cablul, mufa și întregul dispozitiv în apă sau în orice alt lichid. Nu expuneți dispozitivul la condiții atmosferice (ploaie, soare etc.) și nu folosiți în condiții de umiditate ridicată (băi, case mobile umede).

8. Verificați periodic starea cablului de alimentare. În cazul în care cablul de alimentare este deteriorat, acesta trebuie înlocuit de un atelier de reparații de specialitate pentru a evita pericolul.
9. Nu folosiți aparatul cu un cablu de alimentare deteriorat sau dacă a fost aruncat sau deteriorat în alt mod sau dacă nu funcționează corect. Nu reparați singur dispozitivul, deoarece există riscul de electrocutare. Duceți dispozitivul deteriorat la un centru de service adecvat pentru verificare sau reparare. Toate reparațiile pot fi efectuate numai de către punctele de service autorizate. Reparațiile efectuate incorect pot cauza pericol grav pentru utilizator.
10. Așezați dispozitivul pe o suprafață rece, stabilă, departe de aparatele de bucătărie calde, cum ar fi: aragaz electric, arzător de gaz etc.
11. Asigurați-vă că nimic nu blochează intrarea și ieșirea aerului dispozitivului
12. Folosiți dispozitivul numai pe o suprafață plană pentru a preveni scurgerea condensului
13. Pentru a oferi o protecție suplimentară, este recomandabil să instalați un dispozitiv de curent rezidual (RCD) în circuitul electric cu un curent rezidual nominal care să nu depășească 30mA. Întrebați un electrician pentru asta.
14. Curățați regulat filtrul de aer. Frecvența curățării depinde de curățenia aerului.
15. După ce opriți mașina, așteptați cel puțin 5 minute înainte de a o porni din nou.
16. Nu folosiți dispozitivul în locuri însorite. Când dispozitivul se supraîncălzește, protecția de supraîncălzire va porni dispozitivul.
17. Pentru a asigura o răcire eficientă, trebuie să existe o distanță de cel puțin 50 cm între pereții laterali ai dispozitivului și peretele sau mobilierul sau perdelele.
18. Datorită performanței limitate a dispozitivului, dacă diferența dintre temperatura țintă și temperatura ambiantă este prea mare, este posibil ca temperatura țintă să nu fie atinsă.
19. Pentru a reduce riscul de incendiu, electrocutare sau vătămare la utilizarea aparatului de aer condiționat, respectați următoarele precauții de bază:
 - a) Conectați-vă la o priză împământată cu 3 pini.
 - b) Nu îndepărtați prona de împământare.
 - c) Nu folosiți adaptorul.
 - d) Nu folosiți un prelungitor.
 - e) Deconectați aparatul de aer condiționat înainte de întreținere.
 - f) Folosiți două sau mai multe persoane pentru a muta și instala aerul conditionat.
20. Nu folosiți agenți care accelerează procesul de decongelare sau curățare, altele decât cele recomandate de producător.
21. Dispozitivul trebuie depozitat într-o cameră fără surse de aprindere constantă, de exemplu: foc deschis, aparate cu gaz sau încălzitoare electrice.

Înainte de prima utilizare

Când deplasați dispozitivul, asigurați-vă că este într-o poziție verticală. Înainte de a folosi aparatul de aer condiționat, mențineți-l în poziție verticală cel puțin 2 ore.

Descrierea dispozitivului - LOCAL AIR CONDITIONER CR7929 - Imaginea A

- | | |
|--------------------------------------|--|
| 1. Panou de control | 2. Ieșire aer rece |
| 3. Telecomanda (imaginea E) | 4. Mâner |
| 5. Intrări de aer | 6. Țeava de evacuare a aerului |
| 7. Conector de evacuare | 8. Gură de scurgere cu capac din cauciuc (imaginea F) |
| 9. Adaptor pentru evacuarea geamului | 10. Conectorul conductei de evacuare a aerului |
| 11. Cadrul filtrului | 12. Filtru din nylon |
| 13. Dop de golire | |

Descrierea panoului de control - Imagine D.

- A. Buton de pornire
- C. Butonul de temperatură în jos / cronometru în modul de răcire
- D. Buton de temperatură / temporizare în modul de răcire
- E. Butonul modelului de repaus
- F. Buton pentru modul ventilator
- G. Buton cronometru
- H. Buton automat de oscilație a aerului
- I. Ecran LED
- J. Buton modul Cool
- K. Buton de dezumidificare
- L. Buton lent pentru viteza ventilatorului
- M. Buton rapid pentru viteza ventilatorului
- N. Lampa indicatoare a apei

Telecomanda - Poza E

- A. Buton de pornire
- B. Butonul de selectare a modului
- C. Buton de temperatură / cronometru în jos
- D. Buton temperatură / cronometru
- E. Buton modul de repaus
- F. Buton de selectare a vitezei ventilatorului
- G. Buton cronometru
- H. Buton oscilare aer

Funcționare manuală PANEL DE CONTROL - poza D

Când aparatul este pornit pentru prima dată, soneria va striga, apoi dispozitivul va intra în starea de așteptare.

Apăsați butonul „A” pentru a porni și opri dispozitivul, soneria va reda semnalul o singură dată.

SELECȚIA MODULUI privind funcționarea manuală a panoului de control -

Când dispozitivul este pornit, alegeți modul de care aveți nevoie între modul de răcire sau modul ventilator sau modul de dezumidificare ca mai jos:

Mod de răcire -

- Apăsați butonul „J” pentru a selecta modul de răcire, apoi apăsați butonul „L” pentru a obține butonul de viteză lent al ventilatorului sau apăsați butonul „M” pentru a obține butonul rapid de viteză a ventilatorului. Apoi apăsați butonul „C” sau „D” pentru a regla temperatura dorită de la 16 °C la 31 °C, butoanele nu sunt disponibile în modul ventilator sau dezumidificare.

Modul ventilator -

- Apăsați butonul „F” pentru a selecta modul ventilator, ecranul LCD va afișa „FA”, apoi apăsați butonul „L” pentru a obține butonul de viteză lent al ventilatorului sau apăsați butonul „M” pentru a obține butonul rapid de viteză a ventilatorului. În timpul funcționării în modul ventilator, funcțiile de temperatură și somn nu pot fi configurate.

Modul de dezumidificare -

- Apăsați butonul „K” pentru a selecta modul de dezumidificare, ecranul LCD va afișa „dh”. În modul de dezumidificare, modul de repaus nu poate fi configurat, iar viteza ventilatorului este fixată automat pe viteza lentă a ventilatorului și nu poate fi modificată. Pentru a opri modul de dezumidificare, selectați alt mod de operare: modul de răcire sau ventilator. Funcția dopului de scurgere (13) este de a scurge apa de condens din partea superioară a dispozitivului. Utilizarea sa este determinată în funcție de umiditatea locală a aerului. Este necesar să deschideți dopul de scurgere (13) și să turnați apa condensată dacă dispozitivul funcționează atunci când umiditatea locală a aerului este ridicată sau dispozitivul funcționează în mod de dezumidificare continuu timp de 12-24 ore continuu. În modul de răcire uscată (umiditate scăzută a aerului) nu este necesar să deschideți dopul de scurgere (13) deoarece nu este necesar să scurgeți condensul.

Timer setat -

- Când dispozitivul nu funcționează, apăsați butonul „G”, ecranul LCD clipește, apăsați butonul „C” sau „D” pentru a configura cantitatea de ore după ce dispozitivul va începe să funcționeze. Ecranul LCD nu mai clipește și pictograma cronometru va fi luminată.

- Când dispozitivul funcționează, apăsați butonul „G”, ecranul LCD clipește, apăsați butonul „C” sau „D” pentru a configura cantitatea de ore care trebuie să treacă înainte ca dispozitivul să se oprească automat. Ecranul LCD nu mai clipește, pictograma cronometru va fi iluminată, ecranul LCD va fi necesar pentru a atinge temperatura. Aceasta este o funcție de pornire întârziată.

Intervalul de funcționare a cronometrului poate fi stabilit cu fiecare oră de la 1 la 24 de ore.

Modul de somn -

- La început Apăsați butonul „J” în modul de răcire, apoi apăsați butonul „E” pentru a porni modul de repaus, apoi dispozitivul va funcționa la economisirea energiei și tipul liniștit.

- Apăsați butonul „C” sau „D” pentru a regla temperatura dorită de la 16 °C la 31 °C.

- Modul de repaus este programat automat. După prima oră de funcționare, temperatura va crește cu 1 °C, după a doua oră de funcționare, temperatura va crește cu încă 1 °C, apoi va rămâne la același nivel.

- Apăsați din nou butonul „E” pentru a anula modul de repaus.

NOTĂ: Modul de repaus nu este disponibil în modurile de dezumidificare și ventilator.

Apă plină -

Lampa indicatoare cu apă completă „N” va fi aprinsă și soneria va alarma câteva secunde, apoi compresorul nu va mai funcționa când rezervorul de apă al dispozitivului interior va fi plin.

Funcția automată de oscilație a aerului -

Apăsați un buton de oscilare a aerului (H), după ce dispozitivul se pornește, funcția automată de oscilație a aerului se activează, pâlpâitul se va balansa continuu spre stânga și spre dreapta; prin apăsarea butonului din nou, mișcarea se va opri și zgomotul va rămâne în această poziție.

Raza de oscilare orizontală a aerului este de 30 de grade la stânga și 30 de grade dreapta de la verticala de mijloc.

Funcționarea telecomenzii - imaginea E

Telecomanda transmite semnale sistemului.

Butonul "A" - dispozitivul va fi pornit atunci când este pornit sau va fi oprit, dacă apăsați din nou acest buton.

Butonul "B" - apăsați-l pentru a selecta modul de operare: modul rece → modul uscat → modul ventilator.

Butonul "C" / "D" - apăsați pentru a configura timpul de funcționare de la 1 la 24 de ore sau temperatura camerei necesare de la 15 la 31 °C când modul de răcire este pornit.

Butonul "E" - apăsați-l pentru a configura sau a anula modul de repaus.

Butonul "F" - apăsați-l pentru a selecta viteza ventilatorului în succesiune: viteză lentă / rapidă a vântului.

Butonul "G" - apăsați-l pentru a configura sau a anula cronometrul.

Butonul „H” - apăsați pentru a configura sau a anula funcția automată de oscilație a aerului.

DISPOZITIVE DE PROTECȚIE

1. Protecția compresorului: trei minute mai târziu după pornire / repornire, compresorul începe să funcționeze.

2. Funcție de protecție împotriva fluxului: când lampa indicatoare cu apă completă „N” va fi aprinsă și soneria va alarma timp de câteva secunde, dispozitivul se va opri automat. În acest caz, trebuie să scurgeți apa (detalii a se vedea Instrucțiunile de drenaj de la sfârșitul acestui capitol). După golirea apei, dispozitivul va intra în starea de așteptare.

3. Funcția de protecție împotriva înghețului: În modul de răcire, dacă temperatura senzorului de conductă EVA este prea mică, dispozitivul va intra automat în starea de protecție. Când temperatura senzorului de conductă EVA crește la o anumită temperatură, aceasta poate reveni automat la funcționarea normală.

INSTRUCȚIUNI DE DRAINAGE:

Acest dispozitiv este echipat în sistem de evaporare automată a apei. Ciclul apei condensate va răci condensatorul, ceea ce nu numai că va îmbunătăți eficiența de răcire, dar va economisi și energie.

1. Dacă rezervorul interior de apă este plin, lampa indicatoare cu apă completă „N” va fi aprinsă, dispozitivul va intra în modul de așteptare, strigă zgomotul, compresorul se oprește și toate butoanele sunt invalide până când dispozitivul își va reveni normal, după scurgerea apei.

2. Opriți dispozitivul.

3. Pregătiți recipientul plat (nu este inclus în set) pentru a scurge apa. Localizați-l sub orificiul de scurgere (8)

3. Scoateți capacul de cauciuc din orificiul de scurgere (8) - imaginea F.

4. În timpul drenajului, corpul poate fi înclinat ușor înapoi.

5. După ce apa se oprește să se scurgă, închideți capacul de cauciuc (8).

6. Reporniți dispozitivul, dispozitivul va rula normal.

CURATARE & ÎNTREȚINERE

Curățare: înainte de curățare și întreținere, opriți dispozitivul și deconectați fișa.

a) Curățarea locuințelor

Curățați cu suprafața dispozitivului cu o cârpă moale umedă. Nu folosiți substanțe chimice, cum ar fi benzenul, alcoolul, benzina, în caz contrar, suprafața dispozitivului va fi deteriorată sau chiar întregul dispozitiv va fi deteriorat.

b) curățarea filtrelor de nylon net

Dacă filtrul de nylon (12) este infundat cu praf, atunci eficiența dispozitivului este redusă, asigurați-vă că curățați filtrul o dată la două săptămâni.

- Îndreptați-vă din exterior de zăvorul cadrului filtrului (11) cu mâinile și trageți-vă la tine pentru a îndepărta cadrul filtrului (11).

- Curățați rama filtrelor superioare și inferioare (11) după ce scoateți ambele filtre de nylon (12) din cadrul filtrului (11). - poza G.

- Puneți filtrul de nylon (11) în apă caldă cu detergent neutru (aproximativ 40 °C / 104 °F) și uscați-l la umbră după clătirea curată.

DEPOZITARE

Dacă dispozitivul va fi neutilizat timp îndelungat, vă rugăm să faceți următoarele:

1. Scoateți dopul de scurgere (8) pentru a scurge apa.
 2. Lăsați dispozitivul să funcționeze în modul ventilator timp de 2 ore pentru a usca interiorul dispozitivului.
 3. Oprii dispozitivul și scoateți mufa.
 4. Curățați și uscați filtrele, apoi reinstalați-le.
 5. Scoateți țeava de evacuare pentru păstrarea în siguranță.
 6. Introduceți dispozitivul în pungă de plastic și așezați-l într-un loc uscat.
 7. Scoateți bateriile telecomenzii și păstrați-le corect.
- Depozitați dispozitivul și toate componentele dispozitivului în loc uscat.

DEPANARE

Problema I: Aerul condiționat nu funcționează.

Motivul 1: Nu există energie electrică. Așadar, porniți-l după conectarea la o priză cu electricitate.

Motivul 2: Indicatorul luminos complet de apă „N” este aprins. Deci, descărcați apa.

Problema II.: Dispozitivul se repornește frecvent.

Motivul 1: lumina directă a soarelui. Deci, a tras perdelele.

Motivul 2: Ușa și ferestrele sunt deschise, multe surse de căldură în cameră. Așadar, închideți ușa și ferestrele, extrageți sursele de căldură.

Motivul 3: Filtrele sunt prea murdare. Deci, curățați sau înlocuiți filtrele.

Motivul 4: Intrarea aerului sau ieșirea aerului este blocată. Deci, eliminați blocarea.

Problema III: Zgomot mare

Motiv: dispozitivul nu este plasat pe o suprafață plană. Așadar, puneți dispozitivul pe un loc plat și greu pentru a reduce zgomotul.

Problema IV: Compresorul nu funcționează.

Motiv: Protecția cu întârziere în timp a compresorului este activată. Deci, așteptați 3 minute până când temperatura este scăzută, apoi reporniți dispozitivul.

Notă: atunci când au apărut situații anormale, oprii dispozitivul și scoateți mufa, apoi contactați serviciul profesional pentru ajutor.

Nu reparați singur dispozitivul. O reparație necalificată va anula garanția.

DATE TEHNICE:

Capacitate de răcire la BTU: 9000 BTU / oră

Capacitate de răcire în wați: 2640W

Consumul de energie (răcire) în wați: 1010 W

Nivel de zgomot: <= 65dB

Debit de aer: 350 m³ / oră

Clasa energetică: A

Capacitate de uscare: 24 litri / 24 ore

Agent de răcire: R290 210 grame



Atenție, risc de incendiu.

NU străpungeți și nu ardeți.

Rețineți că agentul frigorific nu poate conține miros.



Din grija pentru mediul înconjurător. Ambalajele din carton vă rugăm să le transmiteți șa centrele de maculatură. Sacii din polietilenă (PE) trebuie aruncați în recipientele pentru materialele plastice. Dispozitivul uzat trebuie transmis la punctul corespunzător de depozitare, deoarece componentele periculoase care se găsesc în dispozitiv pot fi foarte periculoase pentru mediul înconjurător. Dispozitivul electric trebuie transmis în așa fel încât să se limiteze utilizarea lui repetată. Dacă în dispozitiv se găsesc baterii acestea trebuie scoase și transmise către punctul de depozitare a acestora, separat.

BOSANSKI

OPĆI UVJETI SIGURNOSTI

VAŽNE SIGURNOSNE UPUTE PROČITAJTE UPOZORENJE I UŠTEDITE BUDUĆNOST

1. Prije upotrebe uređaja, pročitajte korisnički priručnik i slijedite upute sadržane u njemu. Proizvođač ne odgovara za štetu nastalu upotrebom uređaja suprotno njegovoj predviđenoj namjeni ili nepravilnom radu.
2. Uređaj je namenjen samo za kućnu upotrebu. Ne koristite za druge svrhe koje nisu prema njegovoj predviđenoj namjeni.
3. Uređaj treba priključiti na izmjeničnu utičnicu samo uzemljenim 220 240V ~ 50Hz. Da bi se povećala operativna sigurnost, više električnih uređaja ne smije istovremeno biti povezano na jedan strujni krug.
4. Budite izuzetno oprezni kada koristite uređaj kada su djeca u blizini. Ne dozvolite djeci da

se igraju s uređajem, ne dozvolite djeci ili osobama koje nisu upoznate s uređajem da ga koriste.

5. UPOZORENJE: Ovu opremu mogu koristiti djeca starija od 8 godina i osobe ograničene fizičke, senzorne ili mentalne sposobnosti, ili ljudi koji nemaju iskustva ili znanje o opremi, ako se to radi pod nadzorom odgovorne osobe radi njihove sigurnosti ili su im odobreni podaci o sigurnoj upotrebi uređaja i svjesni su opasnosti korištenja. Deca se ne smeju igrati sa opremom. Čišćenje i održavanje uređaja ne smiju obavljati djeca, osim ako su starija od 8 godina i ove aktivnosti se izvode pod nadzorom.

6. Uvek isključite utikač držeći utičnicu rukom nakon upotrebe. NE povlačite kabl za napajanje.

7. Nemojte uranjati kabl, utikač i cijeli uređaj u vodu ili bilo koju drugu tečnost. Ne izlažite uređaj atmosferskim uvjetima (kiša, sunce itd.) I ne koristite u uvjetima visoke vlažnosti (kupaonice, vlažne mobilne kućice).

8. Povremeno provjeravajte stanje kabela za napajanje. Ako je kabl za napajanje oštećen, zamijenite ga specijalnom servisnom radionicom kako biste izbjegli opasnost.

9. Ne koristite uređaj s oštećenim kablom za napajanje ili ako je ispao ili oštećen na bilo koji drugi način ili ako ne radi ispravno. Ne popravljajte uređaj sami jer postoji opasnost od električnog udara. Oštećeni uređaj odnesite u odgovarajući servisni centar radi provjere ili popravljanja. Sve popravke smiju obavljati samo ovlašteni servisi. Nepravilno izvedeni popravci mogu predstavljati ozbiljnu opasnost za korisnika.

10. Uređaj postavite na hladnu i stabilnu površinu, dalje od vrućih kuhinjskih uređaja kao što su: električni štednjak, plinski plamenik itd.

11. Pazite da ništa ne blokira dovod i izlaz zraka na uređaju

12. Koristite uređaj samo na ravnoj površini kako biste spriječili da se kondenzacija prolje

13. Da biste osigurali dodatnu zaštitu, preporučljivo je u električni krug instalirati zaostalu struju (RCD), nazivna zaostala struja koja ne prelazi 30mA. Pitajte za to električara.

14. Redovno čistite filter za vazduh. Učestalost čišćenja ovisi o čistoći zraka.

15. Nakon isključenja uređaja pričekajte najmanje 5 minuta prije nego što ga ponovo uključite.

16. Ne koristite uređaj na sunčanim mjestima. Kad se uređaj pregrijava, na njemu će se uključiti zaštita od pregrijavanja.

17. Da bi se osiguralo efikasno hlađenje, treba ostati razmak od najmanje 50 cm između bočnih zidova uređaja i zida, namještaja ili zavjesa.

18. Zbog ograničenih performansi uređaja, ako je razlika između ciljne temperature i temperature okoline prevelika, ciljna temperatura možda neće biti dosegnuta.

19. Da biste smanjili rizik od požara, strujnog udara ili povreda prilikom upotrebe klima uređaja, pridržavajte se sledećih osnovnih mera predostrožnosti:

a) Spojite na uzemljenu utičnicu s 3 pina.

b) Ne uklanjajte uzemljenje.

c) Nemojte koristiti adapter.

d) Ne koristite produžni kabl.

e) Isključite klima uređaj prije servisiranja.

f) Koristite dvije ili više osoba za pomicanje i instaliranje klima uređaja.

20. Ne koristite sredstva koja ubrzavaju proces odmrzavanja ili čišćenja drugačija od onih koje je preporučio proizvođač.

21. Uređaj treba skladištiti u prostoriji bez stalno aktivnih izvora paljenja, na primjer: otvorene vatre, plinskih uređaja ili električnih grijača.

PRIJE PRVE UPOTREBE

Prilikom pomicanja uređaja provjerite je li u uspravnom položaju. Prije upotrebe klima uređaja držite ga uspravno barem 2 sata.

Opis uređaja - LOKALNI KLIMA UREĐAJA CR7929 - Slika A

- | | |
|----------------------------------|--|
| 1. Upravljačka ploča | 2. Odvod hladnog zraka |
| 3. Daljinski upravljač (slika E) | 4. Ručka |
| 5. Otvori za zrak | 6. Izduvna cijev za zrak |
| 7. Priključak za ispuh | 8. Otvor za ispuštanje gumenim poklopcem (slika F) |
| 9. Prozorski ispušni otvor | 10. Priključak ispušne cijevi za zrak |
| 11. Okvir filtera | 12. Najlonski filter |

13. Utikač za ispuštanje

Opis upravljačke ploče - slika D.

- A. Dugme za napajanje
- C. Tipka za smanjivanje / isključivanje temperature u načinu hlađenja
- D. Tipka za uključivanje / isključivanje temperature u načinu hlađenja
- E. Dugme modela spavanja
- F. Dugme za način rada ventilatora
- G. Dugme tajmera
- H. Taster za automatsko osciliranje zraka
- I. LED ekran
- J. Dugme hladnog načina rada
- K. Dugme za odvlaživanje
- L. Dugme za brzinu ventilatora
- M. Taster za brzu brzinu ventilatora
- N. Indikator pune vode

Daljinski upravljač - Slika E

- | | |
|---|--|
| A. Dugme za napajanje | B. Dugme za odabir načina rada |
| C. Taster za temperaturu / odbrojavanje vremena | D. Dugme za temperaturu / odbrojavanje vremena |
| E. Dugme za spavanje | F. Dugme za odabir brzine ventilatora |
| G. Dugme tajmera | H. Dugme za oscilaciju vazduha |

UPRAVLJAČKA PANEL ručni rad - slika D

Kada se prvi put uključiti, zvučni signal će zasvirati, a potom će uređaj preći u stanje pripravnosti.

Pritisnite tipku „A“ da biste uključili i isključili uređaj, zvučni signal će jednom reproducirati signal.

IZBOR NAČINA za ručni rad upravljačke ploče -

Kad je uređaj uključen, odaberite režim koji vam je potreban između načina hlađenja ili načina ventilatora ili režima odvlaživanja zraka kao što je niže:

Režim hlađenja -

- Pritisnite tipku „J“ za odabir načina hlađenja, zatim pritisnite tipku „L“ da biste dobili dugme za brzu brzinu ventilatora ili pritisnite tipku „M“ za brzo aktiviranje gumba za brzinu ventilatora. Sljedeće pritisnite tipku „C“ ili „D“ za podešavanje potrebne temperature od 16 °C do 31 °C, tipke nisu dostupne u režimu ventilatora ili odvlaživanja.

Režim ventilatora -

- Pritisnite tipku „F“ za odabir načina rada ventilatora, LCD ekran će pokazati „FA“, zatim pritisnite tipku „L“ da biste dobili tipku za brzu brzinu ventilatora ili pritisnite tipku „M“ za brzo aktiviranje gumba za brzinu ventilatora. Za vrijeme rada ventilatora, funkcije temperature i mirovanja ne mogu se podesiti.

Način odvlaživanja vlage -

- Pritisnite tipku „K“ za odabir režima odvlaživanja, LCD ekran će pokazati „dh“. U režimu odvlaživanja, režim mirovanja ne može se

podesiti, a brzina ventilatora automatski se fiksira na spoj brzini ventilatora i ne može se mijenjati. Da biste isključili režim odvlaživanja, odaberite drugi režim rada: hlađenje ili režim ventilatora. Funkcija ispusnog čepa (13) je ispuštanje vode iz kondenzata iz gornjeg dijela uređaja. Njegova upotreba određuje se prema lokalnoj vlažnosti zraka. Potrebno je otvoriti odvodni čep (13) i izliti vodu za kondenzat ako uređaj radi kada je lokalna vlažnost zraka visoka ili uređaj neprekidno radi u režimu odvlaživanja 12-24 sata. U načinu rada suhog hlađenja (niska vlažnost zraka) nije potrebno otvarati odvodni čep (13) jer nema potrebe za ispuštanjem kondenzata.

Podešen tajmer -

- Kada uređaj ne radi, pritisnite dugme „G“, LCD ekran treperi, pritisnite dugme „C“ ili „D“ da biste postavili količinu sati nakon što će uređaj početi da radi. LCD ekran prestaje treptati i zasvijetliti će ikona tajmera.

- Kad uređaj radi, pritisnite tipku "G", LCD ekran treperi, pritisnite tipku "C" ili "D" da biste postavili količinu sati koja treba proći prije nego što se uređaj automatski isključi. LCD ekran prestaje treptati, lampica tajmera će biti osvijetljena, LCD ekran će pokazati potrebnu za postizanje temperature. Ovo je funkcija odgođenog starta.

Područje rada tajmera može se popraviti svakih sat vremena od 1 do 24 sata.

Sleep mode -

- Prvo pritisnite taster "J" za režim hlađenja, zatim pritisnite dugme "E" da biste uključili stanje mirovanja, a zatim će uređaj raditi na uštedu energije i tihi tip.

- Sljedeće pritisnite tipku „C“ ili „D“ za podešavanje potrebne temperature od 16 °C do 31 °C.

- Način mirovanja automatski se programira. Nakon prvog sata rada temperatura će porasti za 1 °C, nakon drugog sata rada temperatura će porasti za još 1 °C, a ostatak će na istoj razini.

- Ponovno pritisnite dugme „E“ da biste otkazali režim spavanja.

NAPOMENA: Način mirovanja nije dostupan u režimima odvlaživanja zraka i ventilatora.

Voda puna -

Svijetlice indikatorska lampica puna vode „N“ i zujalica će alarmirati nekoliko sekundi, a zatim će kompresor prestati raditi kada je unutrašnji spremnik vode za punjenje.

Automatska funkcija oscilacije zraka -

Pritisnite tipku za oscilaciju zraka (H), nakon što se uređaj uključi, aktivira se funkcija automatske oscilacije zraka, otvor će se neprekidno njihati lijevo i desno; ponovnim pritiskom na tipku pokret će se zaustaviti i poklopac će ostati u tom položaju.

Polumjer horizontalne oscilacije zraka je 30 stupnjeva lijevo i 30 stepeni desno od srednje vertikale.

Rad DALJINSKI UPRAVLJAČ - slika E

Daljinski regulator šalje signale sistemu.

Gumb "A" - uređaj će se pokrenuti kada se uključi ili zaustavi ako ponovo pritisnete ovo dugme.

Dugme "B" - pritisnite ga za odabir režima rada: hladni režim → suhi režim → režim ventilatora.

Taster "C" / "D" - pritisnite da podesite vrijeme rada od 1 do 24 sata ili potrebnu sobnu temperaturu od 15 do 31 °C kada je uključen način hlađenja.

Taster "E" - pritisnite ga da biste postavili ili otkazali režim spavanja.

Dugme "F" - pritisnite ga da biste odabrali brzinu ventilatora u redosljedu: mala / brza brzina vjetra.

Gumb "G" - pritisnite ga da biste postavili ili otkazali tajmer.

Taster „H“ - pritisnite za podešavanje ili otkazivanje funkcije automatske oscilacije zraka.

UREĐAJI ZA ZAŠTITU

1. Zaštita kompresora: Tri minute kasnije nakon uključivanja / ponovnog pokretanja, kompresor počinje raditi.

2. Funkcija zaštite od prelijevanja: kada će se lampica pune vode „N“ upaliti i zujalica će alarmirati nekoliko sekundi, uređaj će se automatski isključiti. U tom slučaju morate odvoditi vodu (detalje pogledajte Upute za drenažu na kraju ovog poglavlja). Nakon što se voda isprazni, uređaj će preći u stanje pripravnosti.

3. Funkcija zaštite od smrzavanja: U načinu hlađenja, ako je temperatura senzora cijevi EVA preniska, uređaj će automatski ući u status zaštite. Kada temperatura senzora cijevi EVA poraste na određenu temperaturu, može se automatski vratiti u normalan rad.

UPUTE ZA DRŽAVU:

Ovaj uređaj je opremljen sistemom automatskog isparavanja vode. Kondenzirani vodni ciklus hladi kondenzator, što ne samo da će poboljšati efikasnost hlađenja, već i uštedjeti energiju.

1. Ako je unutrašnji rezervoar za vodu napunjen, svijetli indikatorska lampica puna vode „N“, uređaj ulazi u stanje pripravnosti, zujalica viri, kompresor se zaustavlja i svi tasteri nisu valjani sve dok uređaj nakon oporavka vode ne postane u normalu.

2. Ugasite uređaj.

3. Pripremite ravan spremnik (nije uključen u postavljanje) za drenažu vode. Pronađite ga ispod otvora za odvod (8)

3. Skinite gumenu kapu iz otvora za odvod (8) - slika F.

4. Za vrijeme drenaže tijelo se može blago nagnuti prema natrag.

5. Nakon što voda prestane da se izliva, zatvorite gumenu kapu (8).

6. Ponovo pokrenite uređaj, uređaj će raditi normalno.

ČIŠĆENJE I ODRŽAVANJE

Čišćenje: prije čišćenja i održavanja, isključite uređaj i iskopčajte utikač.

a) Čišćenje kućišta

Očistite površinom uređaja vlažnom mekom krpom. Ne koristite hemikalije, poput benzena, alkohola, benzina, u protivnom će površina uređaja biti oštećena ili čak cijeli uređaj neće biti oštećen.

b) Čišćenje mrežica od najlonskih filtera

Ako je najlonski filter (12) začepljen prašinom, tada je učinkovitost uređaja smanjena, obavezno očistite filter jednom svake dvije sedmice.

- Rukama pritegnite van zasun okvira filtra (11) i izvucite prema sebi da uklonite okvir filtra (11).

- Očistite okvir gornjeg i donjeg filtra (11) nakon što uklonite oba najlonska filtra (12) sa okvira filtra (11). - slika G.

- Stavite najlonski filter (11) u toplu vodu s neutralnim deterdžentom (oko 40 °C / 104 °F) i osušite ga u hladu nakon što ste ga isprali čistim.

SKLADIŠTENJE

Ako se uređaj neće dugo koristiti, učinite sljedeće:

1. Izvucite utikač za odvod (8) da biste ispuštali vodu.

2. Neka uređaj radi pod ventilatorom 2 sata kako bi se osušio unutarnji.

3. Isključite uređaj i izvucite utikač.

4. Očistite i osušite filtere, a zatim ih ponovno instalirajte.

5. Izvucite ispušnu cijev za sigurno držanje.

6. Stavite uređaj u plastičnu vrećicu i stavite na suho mesto.

7. Uklonite baterije daljinskog upravljača i pravilno ih držite.

Čuvajte uređaj i sve komponente uređaja na suhom mjestu.

RJEŠAVANJE RJEŠAVANJA

Problem I.: Klima uređaj ne radi.

Razlog 1: Nema struje. Dakle, uključite ga nakon što ga priključite u utičnicu sa strujom.

Razlog 2: Svijetli indikatorska lampica pune vode „N“. Dakle, ispuštite vodu.

Problem II.: Uređaj se često automatski ponovo pokreće.

Razlog 1: Direktna sunčeva svjetlost. Dakle, nacrtali su zavjese.

Razlog 2: Vrata i prozori su otvoreni, mnogi izvori toplote u sobi. Dakle, zatvorite vrata i prozore, premjestite izvore toplote.

Razlog 3: Filteri su previše prljavi. Dakle, očistite ili zamijenite filtere.

Razlog 4: Ulaz zraka ili izlaz zraka je blokiran. Dakle, uklonite blokadu.

III problem: veliki šum

Razlog: Uređaj nije postavljen na ravnu površinu. Stoga stavite uređaj na ravno i tvrdo mjesto da smanjuje buku.

Problem IV.: Kompresor ne radi.

Razlog: uključuje se zaštita od vremenskog kašnjenja kompresora. Dakle, pričekajte 3 minute dok se temperatura ne spusti, a zatim ponovno pokrenite uređaj.

Napomena: kada dođe do nenormalnih situacija, isključite uređaj i izvucite utikač, a zatim se obratite za pomoć profesionalnom servisu.

Ne popravljajte uređaj sami. Nestručni popravak poništava garanciju.

TEHNIČKI PODACI:

Kapacitet hlađenja na BTU: 9000 BTU / sat

Kapacitet hlađenja u vatima: 2640W

Potrošnja energije (hlađenje) u vatima: 1010 W

Nivo buke: <= 65dB

Protok zraka: 350 m3 / sat

Energetski razred: A

Kapacitet sušenja: 24 litara / 24 sata

Rashladno sredstvo: R290 210 grama



Oprez, opasnost od požara
NE bušite i ne palite.

Imajte na umu da rashladno sredstvo ne sadrži miris.



Brinući za okoliš. Molimo Vas da kartonska pakovanja odnesete u otkup otpadnog papira. Polietilenske džakove (PE) bacajte u kontejner za plastiku. Iskorišćen uređaj treba odneti na odgovarajuću deponiju, jer opasni sastojci koji se u njemu nalaze, mogu biti opasni za okoliš. Električni uređaj treba odneti na način, koji ograničava njegovu ponovnu upotrebu i korištenje. Ako se u uređaju nalaze baterije, treba ih izvaditi i odvojeno predati na deponiju. Uređaj se ne smije bacati u kontejner za komunalni otpad!!

MAGYAR

ÁLTALÁNOS BIZTONSÁGI FELTÉTELEK

FONTOS BIZTONSÁGI UTASÍTÁSOK FIGYELMESEN OLVASSA EL ÉS TÖRVÉNYE JÖVŐBEN

1. A készülék használata előtt olvassa el a használati útmutatót, és kövesse az abban található utasításokat. A gyártó nem felel a kárért, amelyet az eszköz rendeltetésszerű használatának vagy nem megfelelő működésének okozott.

2. A készülék csak otthoni használatra készült. Ne használja más célra, amely nem a rendeltetésszerű.
3. A készüléket csak földelt 220 240 V ~ 50 Hz feszültségű hálózati aljzathoz szabad csatlakoztatni. Az üzembiztonság növelése érdekében több elektromos készüléket nem szabad egyszerre csatlakoztatni egy áramkörhöz.
4. Nagyon óvatosan járjon el az eszköz használatakor, ha a közelben vannak gyermekek. Ne engedje, hogy gyermekek játsszanak az eszközzel, ne engedjék, hogy gyermekek vagy a készüléket ismeretlen emberek használják.
5. FIGYELMEZTETÉS: Ezt a készüléket 8 évesnél idősebb gyermekek és korlátozott fizikai, érzékszervi vagy mentális képességekkel rendelkező személyek, vagy azok a személyek használhatják, akiknek nincs tapasztalata vagy ismerete a berendezésről, ha ezt egy felelős személy felügyelete alatt végzik. biztonságuk érdekében, vagy információkat kaptak nekik az eszköz biztonságos használatáról, és tisztában vannak annak használatának veszélyeivel. A gyermekek nem játszhatnak a felszereléssel. Az eszköz tisztítását és karbantartását csak gyermekek végezhetik, kivéve ha 8 évesnél idősebbek, és ezeket a tevékenységeket felügyelet mellett végzik el.
6. Használat után mindig húzza ki a hálózati csatlakozót az aljzat kezével. NE húzza be a tápkábelt.
7. Ne merítse a kábelt, a dugót és az egész készüléket vízbe vagy más folyadékba. Ne tegye ki a készüléket légköri körülményeknek (eső, nap, stb.), illetve ne használja magas páratartalom esetén (fürdőszoba, nedves mobilházak).
8. Rendszeresen ellenőrizze a tápkábel állapotát. Ha a tápkábel sérült, akkor a veszély elkerülése érdekében szakszervizben kell cserélni.
9. Ne használja a készüléket sérült tápkábellel, ha leesett vagy egyéb módon megsérült, vagy nem működik megfelelően. Ne javítsa saját kezűleg a készüléket, mert fennáll az áramütés veszélye. Vigye a sérült készüléket megfelelő szervizközpontba ellenőrzés vagy javítás céljából. Minden javítást csak hivatalos szerviz végezhet. A helytelenül elvégzett javítások súlyos veszélyt jelenthetnek a felhasználó számára.
10. Helyezze a készüléket hűvös, stabil felületre, távol a forró konyhai készülékektől, például: elektromos tűzhely, gázégő stb.
11. Ellenőrizze, hogy semmi nem akadályozza-e a készülék levegő be- és kimenetet
12. A készüléket csak sík felületen használja, hogy megakadályozza a kondenzvíz kiömlését
13. A kiegészítő védelem érdekében tanácsos az áramkörbe beépíteni olyan maradékáram-eszközt (RCD), amelynek névleges maradékáram nem haladja meg a 30 mA-t. Kérdezzen egy villanyszerelőtől.
14. Rendszeresen tisztítsa meg a légszűrőt. A tisztítás gyakorisága a levegő tisztaságától függ.
15. A gép kikapcsolása után várjon legalább 5 percet, mielőtt újra bekapcsolja.
16. Ne használja a készüléket napos helyeken. Amikor a készülék túlmeleged, a túlmelegedés elleni védelem bekapcsol.

17. A hatékony hűtés érdekében legalább 50 cm távolságot kell tartani a készülék oldalfalai és a fal, a bútor vagy a függöny között.

18. Az eszköz korlátozott teljesítménye miatt, ha a célhőmérséklet és a környezeti hőmérséklet közötti különbség túl nagy, előfordulhat, hogy a célhőmérsékletet nem éri el.

19. A légkondicionáló használatakor a tűz, áramütés vagy sérülés kockázatának csökkentése érdekében tartsa be a következő alapvető óvintézkedéseket:

- a) Csatlakoztasson egy földelt aljzathoz 3 érintkezővel.
 - b) Ne vegye le a földelő karot.
 - c) Ne használja az adaptert.
 - d) Ne használjon hosszabbítót.
 - e) Szervizelés előtt húzza ki a légkondicionálót.
 - f) Használjon két vagy több embert a légkondicionáló mozgatásához és felszereléséhez.
20. A leolvasztás vagy tisztítás felgyorsítását célzó szereket csak a gyártó által ajánlott módon használjon.
21. Az eszközt olyan helyiségben kell tárolni, ahol nem működnek állandóan működő gyújtóforrások, például: nyílt tűz, gázkészülékek vagy elektromos fűtőberendezések.

ELSŐ HASZNÁLAT ELŐTT

A készülék mozgatásakor ügyeljen arra, hogy függőleges helyzetben legyen. A légkondicionáló használatát előtti legalább 2 órán át tartsa függőlegesen.

Készülék leírása - Helyi légkondicionáló CR7929 - A kép

- | | |
|-----------------------------|---|
| 1. Vezérlőpult | 2. Hideg levegő kimenet |
| 3. Távirányító (E kép) | 4. Fogantyú |
| 5. Levegő bemeneti nyílások | 6. Levegő kipufogócső |
| 7. Kipufogócsonk | 8. Leeresztő lyuk gumi kupakkal (F kép) |
| 9. Ablak kipufogó adapter | 10. A levegő kipufogócső csatlakozója |
| 11. A szűrőkeret | 12. Nejlonszűrő |
| 13. Leeresztő dugó | |

Vezérlőpult leírása - D. kép

- A. Bekapcsoló gomb
- C. Hőmérséklet le / időzítő le gomb hűtés módban
- D. Hőmérséklet fel / időzítő fel gomb hűtés módban
- E. Alvó modell gomb
- F. Ventilátor üzemmód gomb
- G. Időzítő gomb
- H. Automatikus légrángás gomb
- I. LED képernyő
- J. Hűvös mód gomb
- K. Páramentesítő gomb
- L. Lassú ventilátor sebesség gomb
- M. Gyors ventilátor sebesség gomb
- N. Víz teljes jelzőfény

Távirányító - E kép

- | | |
|----------------------------------|-------------------------------------|
| A. Bekapcsoló gomb | B. Üzemmódválasztó gomb |
| C. Hőmérséklet / időzítő le gomb | D. Hőmérséklet / időzítő fel gomb |
| E. Alvó üzemmód gomb | F. Ventilátor sebességválasztó gomb |
| G. Időzítő gomb | H. Levegő lengési gomb |

KEZELŐPANEL kézi működtetése - D kép

Az első bekapcsoláskor a hangjelzés kiabál, majd a készülék készenléti állapotba kerül.

Nyomja meg az „A” gombot a készülék be- és kikapcsolásához. A hangjelzés egyszer játssza le a jelet.

ÜZEMMÓD A kezelőpanel kézi működtetésével -

Amikor az eszköz be van kapcsolva, válassza az alábbiak szerint a kívánt módot: hűtés, ventilátor vagy páratlanítás:

Hűtés mód -

- Nyomja meg a „J” gombot a hűtési mód kiválasztásához, majd nyomja meg az „L” gombot a lassú ventilátor sebesség gomb eléréséhez, vagy nyomja meg az „M” gombot a gyors ventilátor sebesség gomb eléréséhez. Ezután nyomja meg a „C” vagy a „D” gombot a kívánt hőmérséklet 16 °C és 31 °C közötti beállításához. A gombok nem állnak rendelkezésre ventilátoros vagy páratlanító módban.

Ventilátor mód -

- Nyomja meg az „F” gombot a ventilátor üzemmód kiválasztásához, az LCD képernyőn megjelenik a „FA”, majd nyomja meg az „L” gombot a lassú ventilátor sebesség gomb eléréséhez, vagy nyomja meg az „M” gombot a gyors ventilátor sebesség gomb eléréséhez. Ventilátor üzemmódban a hőmérséklet és az alvás funkció nem állítható be.

Páramentesítő üzemmód -

- Nyomja meg a „K” gombot a páramentesítési mód kiválasztásához, az LCD képernyőn a „dh” felirat jelenik meg. Páramentesítési módban az alvó üzemmód nem állítható be, a ventilátor sebessége automatikusan a lassú ventilátor sebességgel rögzül, és nem változtatható meg. A páratlanító üzemmód kikapcsolásához válasszon másik üzemmódot: hűtés vagy ventilátor üzemmód. A leeresztő dugó (13) feladata a kondenzvíz elvezetése a készülék felső részéről. Használatát a helyi levegő páratartalma határozza meg. Ki kell nyitni a leeresztő csavart (13), és ki kell önteni a kondenzvizet, ha a készülék akkor működik, ha a helyi páratartalom magas, vagy ha a készülék folyamatosan páratlanító üzemmódban működik 12-24 órán keresztül. Száraz hűtési üzemmódban (alacsony páratartalom) nem szükséges kinyitni a leeresztő csavart (13), mert nincs szükség a kondenzátum leeresztésére.

Az időzítő beállítása -

- Ha a készülék nem működik, nyomja meg a „G” gombot, az LCD képernyő villog, majd a „C” vagy „D” gomb megnyomásával állítsa be az órák számát, miután a készülék működni kezd. Az LCD képernyő nem villog, és az időzítő ikon világít.
- Amikor az eszköz működik, nyomja meg a „G” gombot, az LCD képernyő villog, majd nyomja meg a „C” vagy „D” gombot az eltelt órák mennyiségének beállításához, mielőtt az eszköz automatikusan kikapcsol. Az LCD képernyő nem villog, az időzítő ikon kigyullad, az LCD képernyő megmutatja, hogy szükséges-e a hőmérséklet. Ez egy késleltetett indítási funkció.
Az időzítő működési tartománya egy órával rögzíthető, 1 és 24 óra között.

Alvó mód -

- Először nyomja meg a „J” gombot hűtési üzemmódba, majd nyomja meg az „E” gombot az alvó üzemmód bekapcsolásához, majd az eszköz energiatakarékos és csendes típusú üzemmódban működik.
- Ezután nyomja meg a „C” vagy a „D” gombot a kívánt hőmérséklet 16 °C és 31 °C közötti beállításához.
- Az alvó üzemmód automatikusan be van programozva. Az első üzemóra után a hőmérséklet 1 °C-kal növekszik, a második üzemóra után pedig további 1 °C-kal nő, majd ugyanazon a szinten marad.
- Az alvó üzemmód visszavonásához nyomja meg ismét az „E” gombot.
MEGJEGYZÉS: Alvó üzemmód nem használható páramentesítés és ventilátor üzemmódban.

Víz tele -

Az „N” teljes vízjelző lámpa kigyullad, és a hangjelző néhány másodpercig riasztást indít, majd a kompresszor nem működik, amikor a belső eszköz víztartálya megtelt.

Automatikus levegő lengés funkció -

Nyomja meg a légbeszívógás gombot (H), miután a készülék bekapcsol, az automatikus légáramlás funkció bekapcsol, a zsalu folyamatosan ingadozik balra és jobbra; a gomb ismételt megnyomásával a mozgás megáll, és a zsalu ebben a helyzetben marad. A vízszintes levegő lengésének sugara 30 fok balra és 30 fok jobbra a középső függőleges iránytól.

TÁVvezérlő működése - E kép

A távirányító jeleket továbbítja a rendszerre.

"A" gomb - a készülék bekapcsol, ha feszültség alatt áll, vagy leáll, ha ezt a gombot újra megnyomja.

"B" gomb - nyomja meg, hogy kiválassza az üzemmódot: hűtés mód → száraz üzemmód → ventilátor üzemmód.

"C" / "D" gomb - nyomja meg, hogy a működési időt 1-től 24 óráig vagy a kívánt helyiség hőmérsékletet 15-31 °C-ig állítsa be, amikor a hűtési mód be van kapcsolva.

"E" gomb - nyomja meg az alvó üzemmód beállításához vagy törléséhez.

"F" gomb - nyomja meg a ventilátor sebességének sorrendben történő kiválasztásához: lassú / gyors szélsősebesség.

"G" gomb - nyomja meg az időzítő beállításához vagy törléséhez.

"H" gomb - nyomja meg az automatikus levegő lengés funkció beállításához vagy törléséhez.

VÉDELMI ESZKÖZÖK

1. Kompresszor védelem: Három perccel később a bekapcsolás / újraindítás után a kompresszor elindul.

2. Túlfolyás elleni védelem funkció: amikor a teljes vízjelző lámpa kigyullad, és a csengő több másodpercig riasztást él, a készülék automatikusan kikapcsol. Ebben az esetben el kell ürítenie a vizet (részleteket lásd a fejezet végén a csatornázási útmutatóban). A víz ürítése után a készülék készenléti állapotba kerül.

3. Fagyvédelmi funkció: Hűtés módban, ha az EVA csőérzékelő hőmérséklete túl alacsony, a készülék automatikusan védelmi állapotba kerül. Amikor az EVA csőérzékelő hőmérséklete egy bizonyos hőmérsékletre emelkedik, automatikusan visszatér a normál működéshez.

SZERELÉSI ÚTMUTATÓ:

Ez a készülék automatikus vízpárolgató rendszerrel van felszerelve. A kondenzvíz-ciklus lehűti a kondenzátort, ami nemcsak javítja a hűtési hatékonyságot, hanem energiát is megtakarít.

1. Ha a belső víztartály megtelt, akkor az „N” teljes vízjelző lámpa kigyullad, a készülék készenléti üzemmódba vált, hangjelző kiabál, a kompresszor leáll és minden gomb érvénytelen, amíg a készülék normál helyreáll a víz elvezetése után.
2. Kapcsolja ki a készüléket.
3. Készítsen elő lapos tartályt (a készülékhez nem tartozékot) a víz leeresztéséhez. Keresse meg a lefolyó lyuk alatt (8)
3. Távolítsa el a gumidugót a leeresztőnyílásról (8) - F. kép
4. A vízvezetés során a testet kissé hátra lehet dönteni.
5. Miután a víz kiömlött, öblítse le a gumi kupakot (8).
6. Indítsa újra az eszközt, az eszköz normálisan működni fog.

TISZTÍTÁS ÉS KARBANTARTÁS

Tisztítás: tisztítás és karbantartás előtt kapcsolja ki az eszközt, és húzza ki a csatlakozódugót.

a) A ház tisztítása

Tisztítsa meg a készülék felületét nedves, puha ruhával. Ne használjon vegyszereket, például benzint, alkoholt, különben a készülék felülete megsérül, vagy akár az egész készülék is megsérülhet.

b) Netlon szűrők tisztítása

Ha a nejtisztító (12) eltömődött a portól, akkor az eszköz hatékonysága csökken, minden második héten tisztítsa meg a szűrőt.

- Kényszerítse le kézzel a szűrőkeret (11) retesze kívülről, és húzza ki magához, hogy eltávolítsa a szűrőkeretet (11).
- Tisztítsa meg a felső és alsó szűrőkeretet (11), miután mindkét nejtisztítót (12) vegye le a szűrőkeretről (11). - G. kép
- Helyezze a nyilonszűrőt (11) semleges mosószerrel (kb. 40 °C / 104 °F) meleg vízbe, és tisztítás után öblítse le az árnyékban.

TÁROLÁS

Ha az eszközt hosszú ideig nem használja, akkor tegye a következőket:

1. Húzza ki a leeresztő dugót (8), hogy kifolyjon a víz.
2. Hagyja az eszközt ventilátor üzemmódban 2 óra keresztül működni, hogy kiszáradjon az eszköz belső része.
3. Kapcsolja ki a készüléket, és húzza ki a dugót.
4. Tisztítsa meg és szárítsa meg a szűrőket, majd telepítse újra.
5. A biztonságos tartás érdekében húzza ki a kipufogócsövet.
6. Helyezze az eszközt műanyag tasakba, és helyezze szárazra.
7. Vegye ki a távirányító elemeit, és tartsa megfelelően.

Tárolja a készüléket és az eszköz összes alkatrészét száraz helyen.

HIBAELHÁRÍTÁS

I. probléma: A légkondicionáló nem működik.

1. ok: Nincs áram. Tehát kapcsolja be, miután csatlakoztatta egy elektromos aljzathoz.
2. ok: A víz teljes „N” jelzőfénye világít. Tehát engedje le a vizet.

II. Probléma: A készülék automatikusan újraindul.

1. ok: Közvetlen napfény. Tehát húzza a függönyt.
2. ok: Az ajtók és az ablakok nyitva vannak, sok hőforrás van a helyiségben. Tehát csukja be az ajtót és az ablakokat, és távolítsa el a hőforrásokat.
3. ok: A szűrők túl szennyeződtek. Tehát tisztítsa meg vagy cserélje ki a szűrőket.
4. ok: A levegő bemenete vagy a levegő ki van zárva. Tehát távolítsa el az eltömődést.

III. Probléma: Nagy zaj

Ok: A készüléket nem sima felületre kell helyezni. Tehát helyezze a készüléket egy sima és kemény helyre a zaj csökkentése érdekében.

IV. Probléma: A kompresszor nem működik.

Ok: A kompresszor késleltetésvédelme bekapcsol. Tehát várjon 3 percig, amíg a

Megjegyzés: Ha rendellenes helyzetek fordulnak elő, kapcsolja ki az eszközt és a készüléket ne javítsa saját maga. A nem szakszerű javítás érvényteleníti a jót:

MŰSZAKI ADATOK:

Hűtőteljesítmény BTU-nál: 9000 BTU / óra

Hűtőteljesítmény wattban: 2640W

Energiafogyasztás (hűtés) wattban: 1010 W

Zajszint: <= 65dB

Levegőáram: 350 m³ / óra

Energiaosztály: A

Szárítási teljesítmény: 24 liter / 24 óra

Hűtőszers: R290 210 g



Vigyázat, tűzveszély.

NE átszúrja vagy égesse.

Vegye figyelembe, hogy a hűtőközeg nem tartalmazhat szagokat.



A környezeti védelem érdekében kérjük külön karton dobozok és műanyag zsákokat és dobja őket a megfelelő hulladék közé. Használt készüléket kell eljuttatni a kijelölt gyűjtőhelyekre miatt veszélyes elemek alkatrészeket, amelyek hatással lehetnek a környezetre. Ne dobja a készüléket a közös

SUOMI

YLEISET TURVALLISUUSOLOSUHTEET

TÄRKEITÄ TURVAOHJEITA LUE HUOLELLISESTI JA SÄILYÄ TULEVAISUUTTA

1. Lue käyttöohjeet ja noudata niiden ohjeita ennen laitteen käyttöä. Valmistaja ei ole vastuussa vahingoista, jotka aiheutuvat laitteen käyttötarkoituksen vastaisesta käytöstä tai virheellisestä käytöstä.
2. Laite on tarkoitettu vain kotikäyttöön. Älä käytä muihin tarkoituksiin, jotka eivät ole sen käyttötarkoitukseen.
3. Laite saa kytkeä vain pistorasiaan, jonka maadoitus on 220 240 V ~ 50 Hz. Käyttöturvallisuuden lisäämiseksi useita sähkölaitteita ei tule kytkeä samaan virtapiiriin.
4. Ole erityisen varovainen käyttäessäsi laitetta, kun lapset ovat lähellä. Älä anna lasten leikkiä laitteen kanssa, älä anna lasten tai muiden tuntemattomien käyttää sitä.
5. VAROITUS: Tätä laitetta voivat käyttää yli 8-vuotiaat lapset ja henkilöt, joilla on rajoitetut fyysiset, aisti- tai henkiset kyvyt tai ihmiset, joilla ei ole kokemusta tai tietoa laitteista, jos tämä tehdään vastuussa olevan henkilön valvonnassa. heidän turvallisuutensa vuoksi tai heille on annettu tietoja laitteen turvallisesta käytöstä ja he ovat tietoisia laitteen käytön vaaroista. Lasten ei tulisi leikkiä laitteilla. Laitetta ei saa puhdistaa ja huoltaa, elleivät lapset ole yli 8-vuotiaita ja nämä toimet suoritetaan valvonnassa.
6. Irrota virtajohto aina pitämällä pistorasiaa kädellä käytön jälkeen. ÄLÄ vedä virtajohtoa.
7. Älä upota kaapelia, pistoketta ja koko laitetta veteen tai muuhun nesteeseen. Älä altista laitetta ilmasto-olosuhteille (sade, aurinko jne.) Tai käytä korkean kosteuden olosuhteissa (kylpyhuoneet, kosteat asuntovaunut).
8. Tarkista säännöllisesti virtajohdon kunto. Jos virtajohto on vaurioitunut, se on vaihdettava erikoistuneeseen korjaamoon vaaran välttämiseksi.
9. Älä käytä laitetta vaurioituneen virtajohdon kanssa tai jos se on pudonnut tai vaurioitunut jollakin muulla tavalla tai jos se ei toimi oikein. Älä korjaa laitetta itse, koska siinä on sähköiskun vaara. Vie vaurioitunut laite asianmukaiseen huoltokeskukseen tarkistamista tai korjaamista varten. Kaikki korjaukset saa suorittaa vain valtuutetut huoltoliikkeet. Väärin suoritettavat korjaukset voivat aiheuttaa vakavan vaaran käyttäjälle.
10. Sijoita laite viileälle, vakaalle alustalle, pois kuumista keittiövälineistä, kuten sähköliesi, kaasupoltin jne.
11. Varmista, että mikään ei estä laitteen ilmanottoa ja poistoa
12. Käytä laitetta vain tasaisella pinnalla estämään kondenssiveden valuminen
13. Lisäsuojauksen tarjoamiseksi on suositeltavaa asentaa sähkövirtapiiriin jäännösvirtalaite (RCD), jonka nimellisvirtavirta ei ylitä 30mA. Pyydä sitä sähköasentajalta.
14. Puhdista ilmansuodatin säännöllisesti. Puhdistuksen tiheys riippuu ilman puhtaudesta.
15. Kun olet sammuttanut koneen, odota vähintään 5 minuuttia ennen kuin kytket sen takaisin päälle.

16. Älä käytä laitetta aurinkoisissa paikoissa. Kun laite ylikuumenee, ylikuumenemissuoja kytkee laitteen päälle.

17. Tehokkaan jäähdytyksen varmistamiseksi laitteen sivuseinämien ja seinän, huonekalujen tai verhojen välillä on pidettävä vähintään 50 cm:n etäisyys.

18. Laitteen rajallisen suorituskyvyn vuoksi, jos tavoitelämpötilan ja ympäristön lämpötilan välinen ero on liian suuri, tavoitelämpötilaa ei ehkä saavuteta.

19. Tulipalo-, sähköisku- tai loukkaantumisriskin vähentämiseksi ilmastointilaitetta käytettäessä noudata seuraavia perusvarotoimia:

a) Kytke maadoitettuun pistorasiaan 3 tapilla.

b) Älä poista maadoituskärkiä.

c) Älä käytä sovitinta.

d) Älä käytä jatkojohtoa.

e) Irrota ilmastointilaitte ennen huoltoa.

f) Siirrä ja asenna ilmastointilaitte kahdella tai useammalla henkilöllä.

20. Älä käytä muita kuin valmistajan suosittelemia aineita, jotka nopeuttavat sulatus- tai puhdistusprosessia.

21. Laitetta tulisi varastoida huoneessa, jossa ei ole jatkuvasti toimivia sytytyslähteitä, esimerkiksi: avotuli, kaasulaitteet tai sähkölämmittimet.

ENNEN ENSIMMÄISTÄ KÄYTTÖÄ

Kun siirrä laitetta, varmista, että se on pystyasennossa. Ennen ilmastointilaitteen käyttöä pidä sitä pystyssä vähintään 2 tuntia.

Laitteen kuvaus - PAIKALLINEN ILMASTOINTI CR7929 - Kuva A

- | | |
|----------------------------------|---|
| 1. Ohjauspaneeli | 2. Kylmän ilman poistoaukko |
| 3. Kaukosäädin (kuva E) | 4. Kahva |
| 5. Ilman sisääntulot | 6. Ilman poistoputki |
| 7. Pakoputken liitin | 8. Tyhjennä reikä kumikorkilla (kuva F) |
| 9. Ikkunoiden pakoputken sovitin | 10. Ilmanpoistoputken liitin |
| 11. Suodattimen kehys | 12. Nailonisuodatin |
| 13. Leeresztő dugó | |

Ohjauspaneelin kuvaus - Kuva D.

- A. Virtapainike
C. Lämpötila- / ajastinpainike jäähdytystilassa
D. Lämpötilan nosto- / ajastinpainike jäähdytystilassa
E. Lepomallin painike
F. Tuulettimen tilan painike
G. Ajastinpainike
H. Automaattinen ilman heilahtelupainike
I. LED-näyttö
J. Jäähdytystilan painike
K. Kuivauksen painike
L. Hidas puhaltimen nopeuspainike
M. Nopea puhaltimen nopeuspainike
N. Vesi täynnä merkkivaloa

Kaukosäädin - Kuva E

- | | |
|--------------------------------------|--|
| A. Virtapainike | B. Tilan valintapainike |
| C. Lämpötila / ajastimen alaspainike | D. Lämpötila / ajastimen ylös -painike |
| E. Lepotilan painike | F. Tuulettimen nopeuden valintapainike |
| G. Ajastinpainike | H. Ilman värähtelypainike |

OHJAUSPANEELI manuaalinen käyttö - kuva D

Kun virta kytketään päälle ensimmäistä kertaa, summeri alkaa ja laite siirtyy sitten valmiustilaan.

Paina painiketta "A" laitteen kytkemiseksi päälle ja pois päältä. Summeri soittaa signaalin kerran.

TILAN VALINTA ohjauspaneelin käsikäytössä -

Kun laitteeseen on kytketty virta, valitse haluamasi tila jäähdytystilan, tuulettimen tai kosteudenpoistotilan välillä:

Jäähdytystila -

- Paina painiketta J valitaksesi jäähdytystavan, paina seuraavaksi painiketta L saadaksesi puhallinnopeuden hitaasti -painike tai paina painiketta M saadaksesi puhaltimen nopeuden nopeuden painikkeen. Seuraavaksi paina painiketta "C" tai "D" halutun lämpötilan säätämiseksi välillä 16 °C - 31 °C, painikkeita ei ole saatavana puhallin- tai ilmankuivaustilassa.

Tuulettimen tila -

- Valitse tuulettimen tila painamalla painiketta "F", nestekidenäytössä näkyy "FA", seuraavaksi paina painiketta "L" saadaksesi puhallinnopeuden hitaamman painikkeen tai paina painiketta "M" saadaksesi puhaltimen nopeuden painikkeen. Tuulettimen tilan aikana lämpötilaa ja nukkumistoimintoja ei voida asettaa.

Kuivaustila -

- Paina painiketta "K" valitaksesi kosteudenpoistotilan, nestekidenäytössä näkyy "dh". Kosteudenpoistotilassa lepotilaa ei voida asettaa, ja puhaltimen nopeus määritetään automaattisesti hitaalle puhaltimen nopeudelle, eikä sitä voida muuttaa. Kosteudenpoistotilan kytkemiseksi pois päältä, valitse toinen toimintatila: jäähdytys- tai puhallustila. A leeresztó dugó (13) feladata a kondenzvíz elvezetése a készülék felső részéről. Használatát a helyi levegő páratartalma határozza meg. Ki kell nyitni a leeresztő csavart (13), és ki kell önteni a kondenzvizet, ha a készülék akkor működik, ha a helyi páratartalom magas, vagy ha a készülék folyamatosan páratlanító üzemmódban működik 12-24 órán keresztül. Száraz hűtési üzemmódban (alacsony páratartalom) nem szükséges kinyitni a leeresztő csavart (13), mert nincs szükség a kondenzátum leeresztésére.

Ajastin asetettu -

- Kun laite ei toimi, paina painiketta "G", LCD-näyttö vilkkuu, paina painiketta "C" tai "D" asettaaksesi tuntimäärän laitteen toiminnan alkamisen jälkeen. LCD-näyttö lakkaa vilkkumasta ja ajastinkuvake palaa.

- Kun laite toimii, paina painiketta "G", nestekidenäyttö vilkkuu, paina painiketta "C" tai "D" asettaaksesi tuntimäärän, joka on kulunut ennen laitteen sammuttamista automaattisesti. LCD-näyttö lakkaa vilkkumasta, ajastinkuvake palaa, LCD-näyttö näyttää lämpötilan saavuttamiseksi vaadittavan. Tämä on viivästynyt käynnistystoiminto.

Ajastimen toiminta-alue voidaan vahvistaa yhdellä tunnilla 1 - 24 tuntia.

Nukkumismoodi -

- Paina ensin painiketta "J" jäähdytystilaan, seuraavaksi paina painiketta "E" kytkäaksesi lepotilan päälle, sitten laite toimii energiansäästötilassa ja hiljaisessa tilassa.

- Paina seuraavaksi painiketta "C" tai "D" halutun lämpötilan säätämiseksi välillä 16 °C - 31 °C.

- Lepotila ohjelmoidaan automaattisesti. Ensimmäisen käyttötunnin jälkeen lämpötila nousee 1 °C, toisen käyttötunnin jälkeen lämpötila nousee vielä 1 °C ja pysyy sitten samalla tasolla.

- Peruuta lepotila painamalla uudelleen painiketta "E".

HUOMAUTUS: Lepotila ei ole käytettävissä ilmankuivaus- ja puhallustiloissa.

Vesi täynnä -

Vesimäärän merkkivalo "N" palaa ja sumneri hälyttää useita sekunteja, sitten kompressori pysähtyy toimimaan, kun laitteen sisäinen vesisäiliö on täynnä.

Automaattinen ilman värähtelytoiminto -

Paina ilma oskillaatiopainiketta (H), kun laite käynnistyy, automaattinen ilman värähtelytoiminto käynnistyy, säleikkö kääntyy jatkuvasti vasemmalle ja oikealle; painamalla painiketta uudelleen, liike pysähtyy ja säleikkö pysyy tässä asennossa.

Vaakaasuuntaisen ilman värähtelyn säde on 30 astetta vasemmalle ja 30 astetta oikealle suuntaan pystysuorasta keskimmäisestä.

Kauko-ohjaimen toiminta - kuva E

Kaukosäädin lähettää signaaleja järjestelmään.

Painike "A" - laite käynnistetään, kun se saa virran tai se pysähtyy, jos painat tätä painiketta uudelleen.

Painike "B" - paina sitä valitaksesi käyttötavan: viileä tila → kuiva tila → tuulettimen tila.

Painike "C" / "D" - paina asettaaksesi toiminta-ajan 1 - 24 tuntia tai tarvittavan huonelämpötilan 15 - 31 °C, kun jäähdytystila on kytketty päälle.

Painike "E" - paina sitä asettaaksesi tai peruuttaaksesi lepotilan.

Painike "F" - paina sitä valitaksesi puhaltimen nopeuden järjestyksessä: hidas / nopea tuulen nopeus.

Painike "G" - paina sitä asettaaksesi tai peruuttaaksesi ajastimen.

Painike H - paina asettaaksesi tai peruuttaaksesi automaattisen ilman värähtelytoiminnon.

SUOJAUSLAITTEET

1. Kompressorin suojaus: Kolme minuuttia myöhemmin virran kytkemisen / uudelleenkäynnistytksen jälkeen kompressori alkaa käydä.

2. Ylivuotoa suojaava toiminto: kun veden täyden merkkivalon valo N palaa ja summeri hälyttää useita sekunteja, laite sammuu automaattisesti. Tällöin sinun täytyy tyhjentää vesi (katso lisätietoja tämän luvun lopussa olevista Viemäröintiohjeista). Kun vesi on tyhjenetty, laite siirtyy valmiustilaan.
3. Jäätymissuojatoiminto: Jäähdytystilassa laite siirtyy automaattisesti suojaustilaan, jos EVA-putken anturin lämpötila on liian matala. Kun EVA-putkianturin lämpötila nousee tiettyyn lämpötilaan, se voi palata automaattisesti normaaliin toimintaan.

VAIHTO-OHJEET:

Tämä laite on varustettu automaattisella vesihöyrystysjärjestelmällä. Lauhteellinen vesisykli jäähdyttää lauhduttimen, mikä parantaa jäähdytystehokkuutta ja säästää myös energiaa.

1. Jos sisävesisäiliö on täynnä, veden täyden merkkivalon N merkkivalo palaa, laite siirtyy valmiustilaan, summeriääni, kompressoriksi pysähtyy ja kaikki painikkeet ovat kelvottomia, kunnes laite palautuu normaaliksi veden tyhjennyksen jälkeen.

2. Sammuta laite.

3. Valmistele tasainen säiliö (ei sisälly toimitukseen) veden tyhjentämiseksi. Etsi se tyhjennysreiän alle (8)

3. Poista kumitulppa tyhjennysaukosta (8) - kuva F

4. Viemärin aikana runko voidaan kallistaa hieman taaksepäin.

5. Kun vesi on lakannut kaatamasta, sulje kumitulppa (8).

6. Käynnistä laite uudelleen, laite toimii normaalisti.

PUHDISTUS JA HUOLTO

Puhdistus: Sammuta laite ennen puhdistamista ja huoltoa ja irrota pistoke pistorasiasta.

a) Kotelon puhdistus

Puhdista laitteen pinta märällä pehmeällä liinalla. Älä käytä kemikaaleja, kuten bentseeniä, alkoholia, siinäniä, muuten laitteen pinta vaurioituu tai koko laite vahingoittuu.

b) Netlon nailonsuodattimien puhdistus

Jos nylon-suodatin (12) on tukossa pölyllä, laitteen teho heikkenee, puhdista suodatin joka toinen viikko.

- Pakota käsin suodattimen rungon (11) salvan ulkopuolelta ja vedä itsesi ulos suodatimen rungon (11) poistamiseksi.

- Puhdista ylempi ja alempi suodattimen runko (11) sen jälkeen, kun molemmat nailonsuodattimet (12) on poistettu suodattimen rungosta (11). - kuva G.

- Laita nylon-suodatin (11) lämpimään veteen neutraalilla pesuaineella (noin 40 °C / 104 °F) ja kuivaa se varjossa puhdistuksen jälkeen.

VARASTOINTI

Jos laitetta ei käytetä pitkään aikaan, toimi seuraavasti:

1. Vedä tyhjennystulppa (8) ulos veden virtaamiseksi.

2. Anna laitteen toimia tuuletintilassa 2 tunnin ajan laitteen sisäpinnan kuivumiseksi.

3. Kytke laite pois päältä ja vedä pistoke irti.

4. Pyyhi ja kuivaa suodattimet ja asenna ne sitten uudelleen.

5. Vedä pakoputki turvallisen pitämisen kannalta.

6. Laita laite muovipussiin ja aseta se kuivaan paikkaan.

7. Poista kaukosäätimen paristot ja säilytä niitä kunnolla.

Säilytä laite ja kaikki sen komponentit kuivassa paikassa.

ONGELMIEN KARTTOITTAMINEN

Ongelma I: Ilmastointilaitte ei toimi.

Syy 1: Ei ole sähköä. Joten, kytke se päälle, kun olet kytkenyt sen sähköpistorasiaan.

Syy 2: Veden täysi merkkivalo "N" palaa. Joten, tyhjennä vesi.

Ongelma II: Laite käynnistyy automaattisesti uudelleen.

Syy1: Suora auringonvalo. Joten veti verhot.

Syy 2: Ovet ja ikkunat ovat auki, huoneessa on paljon lämmönlähteitä. Joten sulje ovi ja ikkunat, siirrä lämmönlähteet pois.

Syy 3: Suodattimet ovat liian likaisia. Puhdista tai vaihda suodattimet.

Syy 4: Ilman sisääntulo tai ilman poisto on tukossa. Joten poista tukos.

Tehtävä III: Suuri melu

Syy: Laitetta ei ole asetettu tasaiselle alustalle. Joten aseta laite tasaiselle ja kovalle paikalle melun vähentämiseksi.

Ongelma IV: Kompressor ei toimi.

Syy: Kompressorin aikaviiveusojaus käynnistyy. Joten odota 3 minuuttia, kunnes lämpötila laskee, ja käynnistä laite sitten uudelleen.

Huomaa: Kun esiintyy epänormaaleja tilanteita, sammuta laite ja vedä pistoke irti, ota yhteyttä ammattitaitoiseen palveluun.

Älä korjaa laitetta itse. Korjaamaton korjaus mitätöi takuun.

TEKNISEET TIEDOT:

Jäähdytysteho nopeudella BTU: 9000 BTU / tunti

Jäähdytysteho watteina: 2640W

Energiankulutus (jäähdytys) watteina: 1010 W

Melutaso: <= 65 dB

Ilmavirta: 350 m3 / tunti

Energialuokka: A

Kuivauskapasiteetti: 24 litraa / 24 tuntia

Jäähdytysaine: R290 210 grammaa





Suojellaksesi ympäristöäsi: hävitä pahvilaatit ja muovipussit ja kierrätä ne niille tarkoitetuissa jäteastioissa. Käytetyt koneet tulee toimittaa niihin erioistuneisiin keräyspisteisiin ympäristölle vaarallisten aineiden takia. Älä hävitä laitteita sekajätteessä.

РУССКИЙ

ОБЩИЕ УСЛОВИЯ БЕЗОПАСНОСТИ ВАЖНЫЕ ИНСТРУКЦИИ ПО БЕЗОПАСНОСТИ ВНИМАТЕЛЬНО ПРОЧТИТЕ И СОХРАНИТЕ НА БУДУЩЕЕ

1. Перед использованием устройства прочитайте инструкцию по эксплуатации и следуйте инструкциям, содержащимся в нем. Производитель не несет ответственности за ущерб, вызванный использованием устройства вопреки его назначению или неправильной эксплуатации.
2. Устройство предназначено только для домашнего использования. Не используйте для других целей, которые не по назначению.
3. Устройство должно быть подключено только к розетке переменного тока с заземлением 220 240 В ~ 50 Гц. Для повышения эксплуатационной безопасности, несколько электрических устройств не должны быть подключены к одной цепи тока одновременно.
4. Будьте предельно осторожны при использовании устройства, когда рядом находятся дети. Не позволяйте детям играть с устройством, не позволяйте детям или людям, незнакомым с устройством, использовать его.
5. ПРЕДУПРЕЖДЕНИЕ. Данное оборудование могут использовать дети старше 8 лет и люди с ограниченными физическими, сенсорными или умственными способностями или люди, которые не имеют опыта или знаний об оборудовании, если это делается под наблюдением ответственного лица. Для их безопасности или были предоставлены им информацию о безопасном использовании устройства и знают об опасностях его использования. Дети не должны играть с оборудованием. Чистка и техническое обслуживание устройства не должны выполняться детьми, за исключением случаев, когда им исполнилось 8 лет, и эти действия выполняются под наблюдением.
6. Всегда отсоединяйте штепсельную вилку, придерживая розетку рукой после использования. НЕ тяните за шнур питания.
7. Не погружайте кабель, вилку и все устройство в воду или любую другую жидкость. Не подвергайте устройство воздействию атмосферных условий (дождь, солнце и т. Д.) И не используйте его в условиях повышенной влажности (ванные комнаты, влажные дома на колесах).
8. Периодически проверяйте состояние шнура питания. Если шнур питания поврежден, его следует заменить в специализированной ремонтной мастерской, чтобы избежать опасности.
9. Не используйте прибор с поврежденным шнуром питания, если он упал или поврежден каким-либо иным образом или он не работает должным образом. Не ремонтируйте устройство самостоятельно, так как существует риск поражения электрическим током. Доставьте поврежденное устройство в соответствующий

- сервисный центр для проверки или ремонта. Все ремонтные работы могут выполняться только авторизованными сервисными центрами. Неправильно выполненный ремонт может представлять серьезную опасность для пользователя.
10. Поместите устройство на прохладную, устойчивую поверхность, вдали от горячих кухонных приборов, таких как: электрическая плита, газовая горелка и т. Д.
 11. Убедитесь, что ничто не блокирует вход и выход воздуха устройства
 12. Используйте устройство только на ровной поверхности, чтобы предотвратить выпадение конденсата.
 13. Для обеспечения дополнительной защиты рекомендуется установить устройство защитного отключения (УЗО) в электрической цепи с номинальным током не более 30 мА. Спросите электрика для этого.
 14. Регулярно очищайте воздушный фильтр. Частота очистки зависит от чистоты воздуха.
 15. После выключения машины подождите не менее 5 минут, прежде чем снова включить его.
 16. Не используйте устройство в солнечных местах. Когда устройство перегревается, защита от перегрева включает устройство.
 17. Чтобы обеспечить эффективное охлаждение, расстояние между боковыми стенками устройства и стеной, мебелью или шторами должно быть не менее 50 см.
 18. Из-за ограниченной производительности устройства, если разница между целевой температурой и температурой окружающей среды слишком велика, заданная температура может быть не достигнута.
 19. Чтобы снизить риск возгорания, поражения электрическим током или травмы при использовании кондиционера, соблюдайте следующие основные меры предосторожности:
 - а) Подключите к заземленной розетке с 3 контактами.
 - б) Не удаляйте заземляющий контакт.
 - в) Не используйте адаптер.
 - г) Не используйте удлинитель.
 - е) Отключите кондиционер перед обслуживанием.
 - ф) Для перемещения и установки кондиционера используйте двух или более человек.
 20. Не используйте средства, ускоряющие процесс размораживания или очистки, кроме тех, которые рекомендованы производителем.
 21. Устройство следует хранить в помещении без постоянно работающих источников возгорания, например: открытого огня, газовых приборов или электрических обогревателей.

ПЕРЕД ПЕРВЫМ ИСПОЛЬЗОВАНИЕМ

При перемещении устройства убедитесь, что оно находится в вертикальном положении. Перед использованием кондиционера держите его в вертикальном положении не менее 2 часов.

Описание устройства - МЕСТНЫЙ КОНДИЦИОНЕР CR7929 - Изображение А

1. Панель управления
2. Выход холодного воздуха.
3. Пульт дистанционного управления (рисунок Е)
4. Ручка

5. Воздухозаборники
7. Выпускной патрубков
9. Адаптер оконного выхлопа
11. Рама фильтра

13. сливная пробка

Описание панели управления - рисунок D.

A. Кнопка питания

C. Кнопка уменьшения температуры / таймера уменьшения в режиме охлаждения

D. Кнопка увеличения температуры / таймера увеличения в режиме охлаждения

E. Кнопка модели сна

F. Кнопка режима вентилятора

G. Кнопка таймера

H. Кнопка автоматического колебания воздуха

I. Светодиодный экран

J. Кнопка холодного режима

K. Кнопка осушения

L. Кнопка медленной скорости вентилятора

M. Кнопка быстрой скорости вентилятора

N. Индикатор заполнения воды

6. Выхлопная труба.

8. Сливное отверстие с резиновым колпачком (рисунок F).

10. Разъем выхлопной трубы.

12. Нейлоновый фильтр.

Пульт дистанционного управления - Изображение E

A. Кнопка питания

B. Кнопка выбора режима

C. Кнопка уменьшения температуры / таймера

D. Кнопка повышения температуры / таймера

E. Кнопка спящего режима

F. Кнопка выбора скорости вентилятора

G. Кнопка таймера

H. Кнопка колебания воздуха

ПАНЕЛЬ УПРАВЛЕНИЯ ручное управление - рисунок D

При первом включении раздается сигнал зуммера, а затем устройство переходит в режим ожидания.

Нажмите кнопку «A», чтобы включить и выключить устройство, зуммер один раз подаст сигнал.

ВЫБОР РЕЖИМА ручного управления ПКП -

Когда устройство включено, выберите нужный режим: режим охлаждения, режим вентилятора или режим осушения, как показано ниже:

Режим охлаждения -

- Нажмите кнопку «J», чтобы выбрать режим охлаждения, затем нажмите кнопку «L», чтобы получить кнопку медленной скорости вентилятора, или нажмите кнопку «M», чтобы получить кнопку быстрой скорости вентилятора. Затем нажмите кнопку «C» или «D», чтобы отрегулировать требуемую температуру от 16 °C до 31 °C, кнопки недоступны в режиме вентиляции или осушения.

Режим вентилятора -

- Нажмите кнопку «F», чтобы выбрать режим вентилятора, на ЖК-экране отобразится «FA», затем нажмите кнопку «L», чтобы получить кнопку медленной скорости вентилятора, или нажмите кнопку «M», чтобы получить кнопку быстрой скорости вентилятора. Во время работы в режиме вентилятора нельзя настроить температуру и режим сна.

Режим осушения -

- Нажмите кнопку «K», чтобы выбрать режим осушения, на ЖК-экране отобразится «dh». В режиме осушения невозможно настроить спящий режим, а скорость вентилятора автоматически устанавливается на медленную скорость и не может быть изменена. Чтобы выключить режим осушения, выберите другой режим работы: режим охлаждения или вентилятора. Сливная пробка (13) предназначена для слива конденсата из верхней части устройства. Его использование определяется с учетом местной влажности воздуха. Открыть сливную пробку (13) и слить конденсат необходимо, если устройство работает при высокой локальной влажности воздуха или работает в режиме осушения непрерывно в течение 12-24 часов. В режиме сухого охлаждения (низкая влажность воздуха) открывать сливную пробку (13) не нужно, так как нет необходимости сливать конденсат.

Настройка таймера -

- Когда устройство не работает, нажмите кнопку «G», ЖК-экран начнет мигать, нажмите кнопку «C» или «D», чтобы установить количество часов после того, как устройство начнет работать. ЖК-экран перестанет мигать и загорится значок таймера.

- Когда устройство работает, нажмите кнопку «G», ЖК-экран замигает, нажмите кнопку «C» или «D», чтобы установить количество часов, которое должно пройти, прежде чем устройство автоматически отключится. ЖК-экран перестанет мигать, загорится значок

таймера, на ЖК-экране отобразится необходимая температура. Это функция отложенного пуска.

Диапазон работы таймера может быть установлен на каждый час от 1 до 24 часов.

Режим сна -

- Сначала нажмите кнопку «J», чтобы перейти в режим охлаждения, затем нажмите кнопку «E», чтобы включить спящий режим, затем устройство будет работать в энергосберегающем и тихом режиме.

- Затем нажмите кнопку «C» или «D», чтобы отрегулировать требуемую температуру от 16 °C до 31 °C.

- Спящий режим программируется автоматически. После первого часа работы температура увеличится на 1 °C, после второго часа работы температура повысится еще на 1 °C, а затем останется на том же уровне.

- Нажмите кнопку «E» еще раз, чтобы выйти из спящего режима.

ПРИМЕЧАНИЕ. Спящий режим недоступен в режимах осушения и вентиляции.

Заполнена водой -

Загорится индикаторная лампа заполнения воды «N», и на несколько секунд будет подаваться звуковой сигнал, затем компрессор перестанет работать, когда резервуар для воды внутреннего устройства будет заполнен.

Функция автоматического колебания воздуха -

Нажмите кнопку колебания воздуха (H), после включения устройства включается функция автоматического колебания воздуха, жалюзи будут непрерывно качаться влево и вправо; при повторном нажатии кнопки движение остановится, и жалюзи останутся в этом положении.

Радиус горизонтальных колебаний воздуха составляет 30 градусов влево и 30 градусов вправо от средней вертикали.

ПУЛЬТ ДИСТАНЦИОННОГО УПРАВЛЕНИЯ - рисунок E

Пульт дистанционного управления передает сигналы в систему.

Кнопка «A» - устройство будет запущено при подаче питания или будет остановлено при повторном нажатии этой кнопки.

Кнопка «B» - нажмите ее, чтобы выбрать режим работы: режим охлаждения → режим осушки → режим вентилятора.

Кнопка «C» / «D» - нажмите для установки времени работы от 1 до 24 часов или требуемой температуры в помещении от 15 до 31 °C при включенном режиме охлаждения.

Кнопка «E» - нажмите, чтобы установить или отменить спящий режим.

Кнопка «F» - нажмите ее, чтобы последовательно выбрать скорость вентилятора: медленная / высокая скорость ветра.

Кнопка «G» - нажмите, чтобы установить или отменить таймер.

Кнопка «H» - нажмите для включения или выключения функции автоматического колебания воздуха.

ЗАЩИТНЫЕ УСТРОЙСТВА

1. Защита компрессора: через три минуты после включения / перезапуска компрессор начинает работать.

2. Функция защиты от переполнения: когда загорится индикаторная лампа «N» наполнения водой, а зуммер подаст сигнал на несколько секунд, устройство автоматически выключится. В этом случае вам необходимо слить воду (подробности см. В Инструкции по сливу в конце этой главы). После слива воды устройство перейдет в режим ожидания.

3. Функция защиты от замерзания: в режиме охлаждения, если температура датчика трубы EVA слишком низкая, устройство автоматически переходит в состояние защиты. Когда температура датчика трубы EVA поднимается до определенной температуры, он может автоматически вернуться к нормальной работе.

ИНСТРУКЦИИ ПО ДРЕНАЖУ:

Это устройство оборудовано системой автоматического испарения воды. Конденсатор охлаждает конденсатор, что не только улучшает эффективность охлаждения, но и экономит энергию.

1. Если внутренний резервуар для воды заполнен, загорится индикаторная лампа «N», устройство перейдет в режим ожидания, раздастся звуковой сигнал, компрессор остановится, и все кнопки будут недоступны до тех пор, пока устройство не вернется в нормальное состояние после слива воды.

2. Выключите устройство.

3. Подготовьте плоскую емкость (не входит в комплект) для слива воды. Найдите его под сливным отверстием (8).

3. Снимите резиновую заглушку со сливного отверстия (8) - рисунок F.

4. Во время дренажа корпус можно немного наклонить назад.

5. Когда вода перестанет вытекать, закройте резиновую крышку (8).

6. Перезагрузите устройство, устройство будет нормально работать.

ЧИСТКА И ОБСЛУЖИВАНИЕ

Очистка: перед очисткой и обслуживанием выключите устройство и выньте вилку из розетки.

а) Уборка жилья

Очистите поверхность устройства влажной мягкой тканью. Не используйте химические вещества, такие как бензол, спирт, бензин, иначе поверхность устройства будет повреждена или даже все устройство будет повреждено.

б) Чистка сетчатых нейлоновых фильтров

Если нейлоновый фильтр (12) забивается пылью, то эффективность устройства снижается, обязательно очищайте фильтр раз в две недели.

- Сдавите снаружи защелку рамки фильтра (11) руками и потяните на себя, чтобы снять рамку фильтра (11).

- Очистите верхнюю и нижнюю раму фильтров (11) после извлечения обоих нейлоновых фильтров (12) из рамы фильтра (11). - картина Г.

- Поместите нейлоновый фильтр (11) в теплую воду с нейтральным моющим средством (около 40 °C / 104 °F) и просушите его в тени после полного ополаскивания.

МЕСТО ХРАНЕНИЯ

Если устройство не будет использоваться долгое время, сделайте следующее:

1. Вытяните сливную пробку (8), чтобы слить воду.
 2. Дайте устройству поработать в режиме вентилятора в течение 2 часов, чтобы внутренняя часть устройства просохла.
 3. Выключите прибор и вытащите вилку.
 4. Очистите и просушите фильтры, затем установите их на место.
 5. Вытяните выхлопную трубу для безопасного хранения.
 6. Поместите устройство в пластиковый пакет и поместите его в сухое место.
 7. Извлеките батарейки из пульта дистанционного управления и храните их должным образом.
- Храните устройство и все его компоненты в сухом месте.

ИСПРАВЛЕНИЕ ПРОБЛЕМ

Проблема I. Не работает кондиционер.

Причина 1: Нет электричества. Итак, включайте его после подключения к розетке с электричеством.

Причина 2: горит индикатор заполнения воды «N». Итак, слейте воду.

Проблема II: Устройство часто перезагружается автоматически.

Причина 1: Прямой солнечный свет. Итак, задернуты шторы.

Причина 2: дверь и окна открыты, в помещении много источников тепла. Итак, закройте дверь и окна, уберите источники тепла.

Причина 3: фильтры слишком грязные. Итак, очистите или замените фильтры.

Причина 4: вход или выход воздуха заблокированы. Итак, убираем засор.

Проблема III: Большой шум

Причина: устройство не стоит на плоской поверхности. Итак, поставьте устройство на ровное и твердое место, чтобы снизить уровень шума.

Проблема IV: Компрессор не работает.

Причина: срабатывает защита компрессора с выдержкой времени. Итак, подождите 3 минуты, пока температура не снизится, а затем перезапустите устройство.

Примечание: при возникновении нестандартных ситуаций выключите устройство и вытащите вилку из розетки, затем обратитесь за помощью в профессиональный сервис.

Не ремонтируйте устройство самостоятельно. Неквалифицированный

ТЕХНИЧЕСКИЕ ДАННЫЕ:

Холодопроизводительность в БТЕ: 9000 БТЕ / час

Холодопроизводительность в ваттах: 2640 Вт

Энергопотребление (охлаждение) в ваттах: 1010 Вт

Уровень шума: <= 65 дБ

Расход воздуха: 350 м³ / час

Энергетический класс: A

Мощность сушки: 24 л / 24 часа

Хладагент: R290 210 грамм



Осторожно, опасность пожара.

НЕ прокалывать и не сжигать.

Помните, что хладагент не может содержать запах.



Забываясь об окружающей среде.. Упаковку из картона передайте, пожалуйста, на макулатуру. Полиэтиленовые мешки (PE) выкидывать в резервуар для пластмассы. Изношенное устройство надо передать в соответствующую точку хранения, так как находящиеся в устройстве опасные составляющие могут являться угрозой для окружающей среды. Электрическое устройство надо передать таким образом, чтобы ограничить его повторное употребление и использование. Если в устройстве находятся батареи, их надо вытянуть и передать в точку хранения отдельно. Устройство не выкидывать в резервуар для коммунальных отходов!

ITALIANO

CONDIZIONI GENERALI DI SICUREZZA

IMPORTANTI ISTRUZIONI DI SICUREZZA LEGGERE ATTENTAMENTE E SALVARE PER IL FUTURO

1. Prima di utilizzare il dispositivo, leggere il manuale operativo e seguire le istruzioni in esso contenute. Il produttore non è responsabile per danni causati dall'uso del dispositivo contrario allo scopo previsto o al funzionamento improprio.

2. Il dispositivo è solo per uso domestico. Non utilizzare per altri scopi diversi da quelli previsti.
3. Il dispositivo deve essere collegato solo a una presa CA con una messa a terra da 220-240 V ~ 50 Hz. Per aumentare la sicurezza operativa, più dispositivi elettrici non devono essere collegati contemporaneamente a un circuito di corrente.
4. Usare estrema cautela quando si usa il dispositivo quando i bambini sono nelle vicinanze. Non consentire ai bambini di giocare con il dispositivo, non consentire ai bambini o alle persone che non hanno familiarità con il dispositivo di usarlo.
5. **AVVERTENZA:** questa apparecchiatura può essere utilizzata da bambini di età superiore a 8 anni e persone con capacità fisiche, sensoriali o mentali limitate o persone che non hanno esperienza o conoscenza dell'attrezzatura, se ciò viene fatto sotto la supervisione di una persona responsabile per la loro sicurezza o hanno ricevuto loro informazioni sull'uso sicuro del dispositivo e sono consapevoli dei pericoli connessi all'uso. I bambini non devono giocare con l'attrezzatura. La pulizia e la manutenzione del dispositivo non devono essere eseguite da bambini, a meno che non abbiano più di 8 anni e queste attività siano svolte sotto controllo.
6. Scollegare sempre la spina di alimentazione tenendo la presa con la mano dopo l'uso. **NON** tirare il cavo di alimentazione.
7. Non immergere il cavo, la spina e l'intero dispositivo in acqua o altri liquidi. Non esporre il dispositivo a condizioni atmosferiche (pioggia, sole, ecc.) O utilizzare in condizioni di elevata umidità (bagni, case mobili umide).
8. Controllare periodicamente le condizioni del cavo di alimentazione. Se il cavo di alimentazione è danneggiato, deve essere sostituito da un'officina specializzata per evitare pericoli.
9. Non utilizzare l'apparecchio con un cavo di alimentazione danneggiato o se è stato fatto cadere o danneggiato in altro modo o se non funziona correttamente. Non riparare il dispositivo da soli, poiché esiste il rischio di scosse elettriche. Portare il dispositivo danneggiato in un centro di assistenza adeguato per il controllo o la riparazione. Tutte le riparazioni possono essere eseguite solo da punti di assistenza autorizzati. Le riparazioni eseguite in modo errato possono causare gravi pericoli per l'utente.
10. Collocare il dispositivo su una superficie fresca e stabile, lontano da elettrodomestici da cucina caldi come: fornelli elettrici, bruciatori a gas, ecc.
11. Assicurarsi che nulla blocchi l'entrata e l'uscita dell'aria del dispositivo
12. Utilizzare il dispositivo solo su una superficie piana per evitare la fuoriuscita della condensa
13. Per fornire una protezione aggiuntiva, si consiglia di installare un dispositivo a corrente residua (RCD) nel circuito elettrico con una corrente residua nominale non superiore a 30 mA. Chiedi a un elettricista per questo.
14. Pulire regolarmente il filtro dell'aria. La frequenza della pulizia dipende dalla pulizia dell'aria.
15. Dopo aver spento la macchina, attendere almeno 5 minuti prima di riaccenderla.

16. Non utilizzare il dispositivo in luoghi soleggiati. Quando il dispositivo si surriscalda, la protezione da surriscaldamento attiva il dispositivo.
17. Per garantire un raffreddamento efficace, è necessario mantenere una distanza di almeno 50 cm tra le pareti laterali del dispositivo e la parete, i mobili o le tende.
18. A causa delle prestazioni limitate del dispositivo, se la differenza tra la temperatura target e la temperatura ambiente è troppo elevata, la temperatura target potrebbe non essere raggiunta.
19. Per ridurre il rischio di incendi, scosse elettriche o lesioni durante l'uso del condizionatore d'aria, osservare le seguenti precauzioni di base:
- Collegare a una presa con messa a terra con 3 pin.
 - Non rimuovere il polo di messa a terra.
 - Non utilizzare l'adattatore.
 - Non utilizzare una prolunga.
 - Scollegare il condizionatore d'aria prima della manutenzione.
 - Utilizzare due o più persone per spostare e installare il condizionatore d'aria.
20. Non utilizzare agenti che accelerano il processo di scongelamento o pulizia diversi da quelli raccomandati dal produttore.
21. Il dispositivo deve essere conservato in una stanza senza fonti di accensione costantemente funzionanti, ad esempio fuoco aperto, apparecchi a gas o stufe elettriche.

PRIMA DEL PRIMO UTILIZZO

Quando si sposta il dispositivo assicurarsi che sia in posizione verticale. Prima di utilizzare il condizionatore d'aria tenerlo in posizione verticale per almeno 2 ore.

Descrizione del dispositivo - CONDIZIONATORE D'ARIA LOCALE CR7929 - Immagine A

- | | |
|---|--|
| 1. Pannello di controllo | 2. Uscita aria fredda |
| 3. Telecomando (figura E) | 4. Maniglia |
| 5. Prese d'aria | 6. Tubo di scarico dell'aria |
| 7. Connettore di scarico | 8. Foro di drenaggio con tappo in gomma (figura F) |
| 9. Adattatore di scarico della finestra | 10. Connettore del tubo di scarico dell'aria |
| 11. Telaio del filtro | 12. Filtro in nylon |
| 13. Tappo di scarico | |

Descrizione del pannello di controllo - Immagine D.

- Pulsante di accensione
- Pulsante di riduzione della temperatura / riduzione del timer in modalità raffreddamento
- Pulsante di aumento della temperatura / aumento del timer in modalità raffreddamento
- Pulsante del modello di sospensione
- Pulsante modalità ventilatore
- Pulsante timer
- Pulsante di oscillazione automatica dell'aria
- Schermo LED
- Pulsante della modalità Cool
- Pulsante deumidificazione
- Pulsante velocità ventola lenta
- Pulsante di velocità della ventola veloce
- Spia acqua piena

Telecomando - Immagine E

- Pulsante di accensione
- Pulsante di selezione della modalità
- Pulsante temperatura / timer giù
- Pulsante temperatura / timer su

- E. Pulsante modalità sleep
- F. Pulsante di selezione della velocità del ventilatore
- G. Pulsante timer
- H. Pulsante oscillazione aria

PANNELLO DI CONTROLLO funzionamento manuale - figura D

Quando viene acceso per la prima volta, il cicalino emetterà un grido e quindi il dispositivo entrerà in stato di standby.

Premere il pulsante "A" per accendere e spegnere il dispositivo, il cicalino suonerà il segnale una volta.

SELEZIONE DELLA MODALITÀ sul funzionamento manuale del pannello di controllo -

Quando il dispositivo è acceso, scegli la modalità di cui hai bisogno tra la modalità di raffreddamento o la modalità di ventilazione o la modalità di deumidificazione come di seguito:

Modalità raffreddamento -

- Premere il pulsante "J" per selezionare la modalità di raffreddamento, quindi premere il pulsante "L" per ottenere la velocità della ventola lenta o premere il pulsante "M" per ottenere il pulsante della velocità della ventola veloce. Quindi premere il pulsante "C" o "D" per regolare la temperatura richiesta da 16 °C a 31 °C, i pulsanti non sono disponibili in modalità ventola o deumidificazione.

Modalità ventilatore -

- Premere il pulsante "F" per selezionare la modalità di ventilazione, lo schermo LCD mostrerà "FA", quindi premere il pulsante "L" per ottenere il pulsante di velocità della ventola lenta o premere il pulsante "M" per ottenere il pulsante di velocità del ventilatore veloce. Durante il funzionamento in modalità ventilatore non è possibile impostare le funzioni di temperatura e sospensione.

Modalità deumidificazione -

- Premere il pulsante "K" per selezionare la modalità deumidificazione, lo schermo LCD mostrerà "dh". In modalità di deumidificazione, non è possibile impostare la modalità di sospensione e la velocità della ventola viene fissata automaticamente su una velocità ridotta della ventola e non può essere modificata. Per disattivare la modalità di deumidificazione selezionare un'altra modalità di funzionamento: modalità raffreddamento o modalità ventola. La funzione del tappo di scarico (13) è quella di scaricare l'acqua di condensa dalla parte superiore dell'apparecchio. Il suo utilizzo è determinato in base all'umidità dell'aria locale. È necessario aprire il tappo di scarico (13) e versare l'acqua di condensa se il dispositivo funziona quando l'umidità dell'aria locale è elevata o il dispositivo funziona in modalità deumidificazione continuativa per 12-24 ore consecutive. In modalità raffrescamento a secco (bassa umidità dell'aria) non è necessario aprire il tappo di scarico (13) perché non è necessario scaricare la condensa.

Configurazione del timer -

- Quando il dispositivo non funziona, premere il pulsante "G", lo schermo LCD lampeggia, premere il pulsante "C" o "D" per impostare il numero di ore dopo che il dispositivo inizierà a funzionare. Lo schermo LCD smette di lampeggiare e l'icona del timer si illumina.
- Quando il dispositivo è in funzione, premere il pulsante "G", lo schermo LCD lampeggia, premere il pulsante "C" o "D" per impostare il numero di ore che devono trascorrere prima che il dispositivo si spenga automaticamente. Lo schermo LCD smette di lampeggiare, l'icona del timer si illumina, lo schermo LCD mostra la richiesta per raggiungere la temperatura. Questa è una funzione di avvio ritardato. L'intervallo di funzionamento del timer può essere fissato di un'ora, da 1 a 24 ore.

Modalità risparmio -

- All'inizio premere il pulsante "J" per la modalità di raffreddamento, quindi premere il pulsante "E" per attivare la modalità di sospensione, quindi il dispositivo funzionerà a risparmio energetico e di tipo silenzioso.
- Quindi premere il pulsante "C" o "D" per regolare la temperatura richiesta da 16 °C a 31 °C.
- La modalità sleep viene programmata automaticamente. Dopo la prima ora di funzionamento, la temperatura aumenterà di 1 °C, dopo la seconda ora di funzionamento, la temperatura aumenterà di un altro 1 °C, quindi rimarrà allo stesso livello.
- Premere nuovamente il pulsante "E" per annullare la modalità sleep.
NOTA: la modalità di sospensione non è disponibile nelle modalità deumidificazione e ventola.

Pieno d'acqua -

La spia indicatrice di acqua piena "N" si illuminerà e il cicalino suonerà per diversi secondi, quindi il compressore smetterà di funzionare quando il serbatoio dell'acqua interno del dispositivo sarà pieno.

Funzione di oscillazione automatica dell'aria -

Premere un pulsante di oscillazione dell'aria (H), dopo l'accensione del dispositivo, la funzione di oscillazione automatica dell'aria si attiva, l'aletta oscillerà continuamente a sinistra ea destra; premendo nuovamente il pulsante il movimento si arresta e l'aletta rimane in quella posizione.

Il raggio di oscillazione orizzontale dell'aria è di 30 gradi a sinistra e di 30 gradi a destra rispetto alla verticale centrale.

Funzionamento del TELECOMANDO - figura E

Il telecomando trasmette i segnali al sistema.

Pulsante "A": il dispositivo verrà avviato quando viene alimentato o verrà arrestato se si preme nuovamente questo pulsante.

Pulsante "B" - premerlo per selezionare la modalità di funzionamento: modalità raffreddamento → modalità secco → modalità ventilatore.

Pulsante "C" / "D" - premere per impostare il tempo di funzionamento da 1 a 24 ore o la temperatura ambiente richiesta da 15 a 31 ° C quando è attivata la modalità di raffreddamento.

Pulsante "E": premere per impostare o annullare la modalità di sospensione.

Pulsante "F" - premerlo per selezionare la velocità del ventilatore in sequenza: velocità del vento lenta / veloce.

Pulsante "G": premere per impostare o annullare il timer.

Pulsante "H": premere per impostare o annullare la funzione di oscillazione automatica dell'aria.

DISPOSITIVI DI PROTEZIONE

1. Protezione del compressore: tre minuti dopo l'accensione / il riavvio, il compressore inizia a funzionare.

2. Funzione di protezione da traboccamento: quando la spia "N" di acqua piena si accende e il cicalino suona per diversi secondi, il dispositivo si spegne automaticamente. In questo caso, è necessario scaricare l'acqua (per i dettagli vedere le istruzioni di drenaggio alla fine di questo capitolo). Dopo che l'acqua è stata svuotata, il dispositivo entrerà in stato di standby.

3. Funzione di protezione antigelo: in modalità raffreddamento, se la temperatura del sensore del tubo EVA è troppo bassa, il dispositivo entrerà automaticamente in stato di protezione. Quando la temperatura del sensore del tubo EVA sale a una certa temperatura, può tornare automaticamente al funzionamento normale.

ISTRUZIONI DI DRENAGGIO:

Questo dispositivo è dotato di un sistema di autoevaporazione dell'acqua. Il ciclo dell'acqua condensata raffredderà il condensatore, il che non solo migliorerà l'efficienza di raffreddamento, ma farà anche risparmiare energia.

1. Se il serbatoio dell'acqua interno è pieno, la spia "N" si accende, il dispositivo entra in modalità standby, il cicalino emette un suono, il compressore si ferma e tutti i pulsanti non sono validi finché il dispositivo non torna alla normalità, dopo lo scarico dell'acqua.

2. Spegnerlo il dispositivo.

3. Preparare un contenitore piatto (non incluso nel set) per drenare l'acqua. Posizionalo sotto il foro di scarico (8)

3. Rimuovere il tappo di gomma dal foro di scarico (8) - figura F.

4. Durante il drenaggio, il corpo può essere inclinato leggermente all'indietro.

5. Quando l'acqua smette di fuoriuscire, chiudere il tappo di gomma (8).

6. Riavvia il dispositivo, il dispositivo funzionerà normalmente.

PULIZIA E MANUTENZIONE

Pulizia: prima della pulizia e della manutenzione, spegnere il dispositivo e scollegare la spina.

a) Pulizia degli alloggi

Pulire con la superficie del dispositivo con un panno morbido umido. Non utilizzare prodotti chimici, come benzene, alcol, benzina, altrimenti la superficie del dispositivo sarà danneggiata o anche l'intero dispositivo sarà danneggiato.

b) Pulizia filtri a rete in nylon

Se il filtro in nylon (12) è ostruito dalla polvere, l'efficacia del dispositivo è ridotta, assicurarsi di pulire il filtro una volta ogni due settimane.

- Spingere verso il basso dall'esterno il fermo del telaio del filtro (11) con le mani e tirare verso di sé per rimuovere il telaio del filtro (11).

- Pulire il telaio dei filtri superiore e inferiore (11) dopo aver rimosso entrambi i filtri in nylon (12) dal telaio del filtro (11). - immagine G.

- Mettere il filtro in nylon (11) in acqua calda con detergente neutro (circa 40 / 104) e asciugarlo all'ombra dopo averlo risciacquato.

CONSERVAZIONE

Se il dispositivo rimarrà inutilizzato per molto tempo, eseguire le seguenti operazioni:

1. Estrarre il tappo di drenaggio (8) per far defluire l'acqua.

2. Lascia che il dispositivo funzioni in modalità ventola per 2 ore per asciugare l'interno del dispositivo.

3. Spegnerlo il dispositivo ed estrarre la spina.

4. Pulire e asciugare i filtri, quindi reinstallarli.

5. Estrarre il tubo di scarico per mantenerlo in sicurezza.

6. Metti il dispositivo in un sacchetto di plastica e posizionalo in un luogo asciutto.

7. Rimuovere le batterie del telecomando e conservarle correttamente.

Conservare il dispositivo e tutti i componenti del dispositivo in un luogo asciutto.

RISOLUZIONE DEI PROBLEMI

Problema I.: l'aria condizionata non funziona.

Motivo 1: non c'è elettricità. Quindi, accendilo dopo averlo collegato a una presa elettrica.

Motivo 2: la spia luminosa "N" dell'acqua piena è accesa. Quindi, scarica l'acqua.

Problema II: il dispositivo si riavvia automaticamente di frequente.

Motivo 1: luce solare diretta. Quindi, tirate le tende.

Motivo 2: porte e finestre sono aperte, molte fonti di calore nella stanza. Quindi, chiudi la porta e le finestre, allontana le fonti di calore.

Motivo 3: i filtri sono troppo sporchi. Quindi, pulire o sostituire i filtri.

Motivo 4: l'ingresso o l'uscita dell'aria sono bloccati. Quindi, rimuovere il blocco.

Problema III: grande rumore

Motivo: il dispositivo non è posizionato su una superficie piana. Quindi, metti il dispositivo su un luogo piatto e duro per ridurre il rumore.

Problema IV: il compressore non funziona.

Motivo: attivazione della protezione ritardata del compressore. Quindi, attendere 3 minuti fino a quando la temperatura non si abbassa, quindi riavviare il dispositivo.

Nota: quando si verificano situazioni anomale, spegnere il dispositivo e staccare la spina, quindi contattare il servizio professionale per assistenza.

Non riparare da soli il dispositivo. La riparazione non qualificata invaliderà la garanzia.

DATI TECNICI:

Capacità di raffreddamento a BTU: 9000 BTU / ora

Capacità di raffreddamento in watt: 2640 W.

Consumo energetico (raffreddamento) in watt: 1010 W.

Livello di rumore: <= 65 dB

Flusso d'aria: 350 m³ / ora

Classe energetica: A

Capacità di asciugatura: 24 litri / 24 ore

Agente refrigerante: R290 210 grammi



Attenzione, rischio di incendio.

NON perforare o bruciare.

Tenere presente che il refrigerante potrebbe non contenere odori.



Prendiamoci cura dell'ambiente naturale. I contenitori in cartone dovrebbero essere portati all'apposito punto di raccolta. I sacchi in polietilene (PE) vanno buttati nel contenitore per la plastica. L'apparecchio fuori uso deve essere rottamato presso un centro di raccolta autorizzato, poiché contiene elementi pericolosi che potrebbero costituire una minaccia per l'ambiente. Il dispositivo elettrico deve essere consegnato in modo da limitare il suo riutilizzo. Se l'apparecchio contiene batterie, è necessario rimuoverle e smaltirle separatamente.

HRVATSKI

OPĆI UVJETI SIGURNOSTI

VAŽNE SIGURNOSNE UPUTE PROČITAJTE UPOZORENJE I SPREMITE SE ZA BUDUĆNOST

1. Prije upotrebe uređaja, pročitajte korisnički priručnik i slijedite upute sadržane u njemu. Proizvođač ne odgovara za štetu nastalu upotrebom uređaja suprotno njegovoj predviđenoj namjeni ili nepravilnom radu.
2. Uređaj je namijenjen samo kućnoj uporabi. Ne koristite za druge svrhe koje nisu prema njegovoj predviđenoj namjeni.
3. Uređaj treba spojiti samo na izmjeničnu utičnicu s uzemljenim 220 240V ~ 50Hz. Da bi se povećala operativna sigurnost, više električnih uređaja ne smije istovremeno biti povezano na jedan strujni krug.
4. Budite izuzetno oprezni kada koristite uređaj kada su djeca u blizini. Ne dopustite djeci da se igraju s uređajem, ne dopustite djeci ili osobama koje nisu upoznate s uređajem.
5. **UPOZORENJE:** Ovu opremu mogu koristiti djeca starija od 8 godina i osobe ograničene tjelesne, senzorne ili mentalne sposobnosti, ili ljudi koji nemaju iskustva ili znanje o uređaju,

ako se to radi pod nadzorom odgovorne osobe radi njihove sigurnosti ili su im odobreni podaci o sigurnoj upotrebi uređaja i svjesni su opasnosti upotrebe uređaja. Djeca se ne bi trebala igrati s opremom. Čišćenje i održavanje uređaja ne smiju obavljati djeca, osim ako imaju više od 8 godina i ove aktivnosti se izvode pod nadzorom.

6. Uvijek isključite utikač držeći utičnicu rukom nakon uporabe. NE povlačite kabel za napajanje.

7. Ne uranjajte kabel, utikač i cijeli uređaj u vodu ili bilo koju drugu tekućinu. Ne izlažite uređaj atmosferskim uvjetima (kiša, sunce itd.) I ne koristite u uvjetima visoke vlage (kupaonice, vlažne mobilne kućice).

8. Povremeno provjeravajte stanje kabela za napajanje. Ako je mrežni kabel oštećen, zamijenite ga specijaliziranoj servisnoj službi kako biste izbjegli opasnost.

9. Ne koristite uređaj s oštećenim kablom za napajanje ili ako je ispao ili oštećen na bilo koji drugi način ili ako ne radi ispravno. Ne popravljajte uređaj sami jer postoji opasnost od električnog udara. Oštećeni uređaj odnesite u odgovarajući servisni centar radi provjere ili popravka. Sve popravke smiju obavljati samo ovlašteni servisi. Nepravilno izvedeni popravci mogu ozbiljno opasiti za korisnika.

10. Uređaj postavite na hladnu i stabilnu površinu, daleko od vrućih kuhinjskih uređaja kao što su: električni štednjak, plinski plamenik itd.

11. Pazite da ništa ne blokira dovod i izlaz zraka u uređaju

12. Koristite uređaj samo na ravnoj površini kako ne bi došlo do prolijevanja kondenzata

13. Da biste osigurali dodatnu zaštitu, preporučljivo je u električni krug instalirati zaostalu struju (RCD), nazivna zaostala struja koja ne prelazi 30mA. Pitajte za to električara.

14. Redovito čistite filter za zrak. Učestalost čišćenja ovisi o čistoći zraka.

15. Nakon isključivanja stroja pričekajte najmanje 5 minuta prije nego što ga ponovno uključite.

16. Ne koristite uređaj na sunčanim mjestima. Kad se uređaj pregrijava, uključit će se zaštita od pregrijavanja.

17. Da bi se osiguralo učinkovito hlađenje, treba se držati razmak od najmanje 50 cm između bočnih zidova uređaja i zida, namještaja ili zavjesa.

18. Zbog ograničenih performansi uređaja, ako je razlika između ciljne temperature i temperature okoline prevelika, ciljna temperatura možda neće biti dosegnuta.

19. Da biste smanjili rizik od požara, strujnog udara ili ozljeda kad koristite klima uređaj, pridržavajte se sljedećih osnovnih mjera opreza:

a) Spojite na uzemljenu utičnicu s 3 pina.

b) Ne uklanjajte uzemljenje.

c) Nemojte koristiti adapter.

d) Ne koristite produžni kabel.

e) Prije servisiranja isključite klima uređaj.

f) Koristite dvije ili više osoba za pomicanje i instaliranje klima uređaja.

20. Ne koristite sredstva koja ubrzavaju postupak odmrzavanja ili čišćenja, osim onih koja je preporučio proizvođač.

21. Uređaj treba skladištiti u prostoriji bez stalno aktivnih izvora paljenja, na primjer: otvorene vatre, plinskih uređaja ili električnih grijača.

PRIJE PRVE UPOTREBE

Pri pomicanju uređaja provjerite je li u uspravnom položaju. Prije upotrebe klima uređaja držite ga uspravno barem 2 sata.

Opis uređaja - LOKALNI KLIMATIZER ZRAKA CR7929 - Slika A

- | | |
|----------------------------------|--|
| 1. Upravljačka ploča | 2. Odvod hladnog zraka |
| 3. Daljinski upravljač (slika E) | 4. Ručka |
| 5. Otvori za zrak | 6. Izduvna cijev za zrak |
| 7. Priključak za ispuh | 8. Otvor za ispuštanje gumenim poklopcem (slika F) |
| 9. Prozračni adapter | 10. Priključak ispušne cijevi za zrak |
| 11. Okvir filtra | 12. Najlonski filter |
| 13. Čep za ispuštanje | |

Opis upravljačke ploče - Slika D.

- A. Gumb za napajanje
- C. Gumb za smanjivanje temperature / odbrojavanje vremena u načinu hlađenja
- D. Gumb za uključivanje / isključivanje temperature u načinu hlađenja
- E. Gumb za spavanje modela
- F. Gumb za način rada ventilatora
- G. Dugme vremena
- H. Gumb za automatsko osciliranje zraka
- I. LED ekran
- J. Gumb za cool način rada
- K. Gumb za odvlaživanje
- L. Gumb za usporenje brzine ventilatora
- M. Gumb za brzu brzinu ventilatora
- N. Indikator pune vode

Daljinski upravljač - Slika E

- A. Gumb za napajanje
- B. Gumb za odabir načina rada
- C. Gumb za isključivanje temperature / odbrojavanja vremena
- D. Gumb za temperaturu / odbrojavanje vremena
- E. Gumb za spavanje
- F. Gumb za odabir brzine ventilatora
- G. Dugme vremena
- H. Gumb za oscilaciju zraka

RUČNO UPRAVLJANJE PANELOM - slika D

Kada se prvi put uključi, zvučni signal će vikati, a uređaj će tada prijeći u stanje pripravnosti.

Pritisnite tipku "A" za uključivanje i isključivanje uređaja, a zvučni signal jednom će reproducirati signal.

IZBOR NAČINA za ručni rad upravljačke ploče -

Kad je uređaj uključen, odaberite režim koji vam je potreban između načina hlađenja ili načina ventilatora ili odvlaživača kao što je dolje navedeno:

Način hlađenja -

- Pritisnite tipku "J" za odabir načina hlađenja, a zatim pritisnite tipku "L" za dobivanje gumba za sporu brzinu ventilatora ili pritisnite tipku "M" za brzo aktiviranje gumba za brzinu ventilatora. Sljedeće pritisnite tipku "C" ili "D" za podešavanje tražene temperature od 16 do 31 buttons, a tipke nisu dostupne u ventilatoru ili načinu odvlaživanja.

Način ventilatora -

- Pritisnite tipku "F" za odabir načina ventilatora, LCD zaslon će prikazati "FA", a zatim pritisnite tipku "L" za dobivanje gumba za sporu brzinu ventilatora ili pritisnite tipku "M" za brzo aktiviranje gumba za brzinu ventilatora. Tijekom rada ventilatora nije moguće podesiti temperaturu i stanje mirovanja.

Način odvlaživanja zraka -

- Pritisnite tipku "K" za odabir načina odvlaživanja, LCD zaslon će pokazati "dh". U načinu odvlaživanja ne može se podesiti način mirovanja, a brzina ventilatora automatski se fiksira na sporu brzinu ventilatora i ne može se mijenjati. Da biste isključili način odvlaživanja, odaberite drugi način rada: hlađenje ili ventilator. Funkcija odvodnog čepa (13) je ispuštanje kondenzirane vode iz gornjeg dijela uređaja.

Njegova se upotreba određuje prema lokalnoj vlažnosti zraka. Potrebno je otvoriti odvodni čep (13) i izliti kondenziranu vodu ako uređaj radi pri visokoj lokalnoj vlažnosti zraka ili uređaj neprekidno radi u režimu odvlaživanja 12-24 sata. U načinu rada suhog hlađenja (niska vlažnost zraka) nije potrebno otvarati odvodni čep (13) jer nema potrebe za ispuštanjem kondenzata.

Postavi tajmer -

- Kad uređaj ne radi, pritisnite tipku "G", LCD zaslon će treptati, pritisnite gumb "C" ili "D" da biste postavili količinu sati nakon što će uređaj početi s radom. LCD zaslon prestaje treptati i zasvijetlit će ikona timra.

- Kad uređaj radi, pritisnite tipku "G", LCD zaslon će bljeskati, pritisnite gumb "C" ili "D" da biste postavili potreban broj sati prije nego što se uređaj automatski isključi. LCD zaslon prestaje treptati, osvijetljavać će se ikona timera, a LCD zaslon prikazuje se za postizanje temperature. Ovo je funkcija odgođenog starta.

Raspored rada timera može se popraviti svakih sat vremena od 1 do 24 sata.

Stanje mirovanja -

- Prvo pritisnite tipku "J" za način hlađenja, zatim pritisnite tipku "E" da biste uključili stanje mirovanja, a zatim će uređaj raditi na uštedu energije i tihi tip.

- Zatim pritisnite tipku "C" ili "D" za podešavanje tražene temperature od 16 do 31 °C.

- Način mirovanja automatski se programira. Nakon prvog sata rada temperatura će se povećati za 1 °C, nakon drugog sata rada temperatura će se povećati za još 1 °C, a zatim će ostati na istoj razini.

- Ponovno pritisnite tipku "E" za otkazivanje načina mirovanja.

NAPOMENA: Mirovanje nije dostupno u režimima odvlaživanja zraka i ventilatora.

Voda puna -

Pojavit će se indikatorska lampica pune vode „N“ i zujalica će alarmirati nekoliko sekundi, a zatim će kompresor prestati raditi kada je unutarnji spremnik vode za uređaj potpuno napunjen.

Automatska funkcija oscilacije zraka -

Pritisnite gumb za oscilaciju zraka (H), nakon što se uređaj uključi, aktivira se funkcija automatske oscilacije zraka, otvor će se neprekidno njihati lijevo i desno; ponovnim pritiskom na gumb pokret će se zaustaviti i žljeb će ostati u tom položaju.

Polumjer horizontalne oscilacije zraka je 30 stupnjeva lijevo i 30 stupnjeva desno od srednje vertikale.

Rad DALJINSKI UPRAVLJAČ - slika E

Daljinski upravljač odašilje signale sustavu.

Gumb "A" - uređaj će se pokrenuti kada je pod naponom ili će biti zaustavljen, ako ponovno pritisnete ovu tipku.

Tipka "B" - pritisnite je da biste odabrali način rada: hladni način rada → suhi način → način rada ventilatora.

Gumb "C" / "D" - pritisnite da biste podesili vrijeme rada od 1 do 24 sata ili potrebnu sobnu temperaturu od 15 do 31 °C kada je uključen način hlađenja.

Gumb "E" - pritisnite ga da biste postavili ili otkazali način spavanja.

Gumb "F" - pritisnite ga za odabir brzine ventilatora u slijedu: mala brzina / brzi vjetar.

Gumb "G" - pritisnite ga za podešavanje ili otkazivanje timera.

Gumb "H" - pritisnite za podešavanje ili otkazivanje funkcije automatske oscilacije zraka.

UREDAJI ZA ZAŠTITU

1. Zaštita kompresora: Tri minute kasnije nakon uključivanja / ponovnog pokretanja, kompresor počinje raditi.

2. Funkcija zaštite od prelijevanja: kada će se lampica pune vode „N“ upaliti i zujalica će alarmirati nekoliko sekundi, uređaj će se automatski isključiti. U tom slučaju morate odvoditi vodu (detalje pogledajte Upute za odvodnju na kraju ovog poglavlja). Nakon što se voda isprazni, uređaj će prijeći u stanje pripravnosti.

3. Funkcija zaštite od smrzavanja: U načinu hlađenja, ako je temperatura senzora cijevi EVA preniska, uređaj će automatski ući u status zaštite. Kad se temperatura senzora cijevi EVA povisi na određenu temperaturu, može se automatski vratiti u normalan rad.

UPUTE ZA DRŽAVU:

Ovaj je uređaj opremljen sustavom za automatsko isparivanje vode. Kondenzirani vodeni ciklus hladi kondenzator, što će ne samo poboljšati učinkovitost hlađenja, već i uštedjeti energiju.

1. Ako je unutarnji spremnik vode napunjen, svijetli indikatorska lampica pune vode "N", uređaj ulazi u stanje pripravnosti, zujanje više, kompresor se zaustavlja i svi gumbi nisu ispravni sve dok uređaj nakon oporavka vode ne postane u normalu.

2. Ugasite uređaj.

3. Pripremite ravan spremnik (nije uključen u postavljanje) za odvod vode. Pronađite ga ispod otvora za odvod (8)

3. Skinite gumenu kapu iz otvora za odvod (8) - slika F.

4. Tijekom drenaže tijelo se može naginjati malo unatrag.

5. Nakon što voda prestane s izlivanjem, zatvorite gumenu kapu (8).

6. Ponovno pokrenite uređaj, uređaj će raditi normalno.

ČIŠĆENJE I ODRŽAVANJE

Čišćenje: prije čišćenja i održavanja, isključite uređaj i iskopčajte utikač.

a) Čišćenje kućišta

Očistite površinom uređaja vlažnom mekom krpom. Ne upotrebljavajte kemikalije, poput benzena, alkohola, benzina, inače će površina

uređaja biti oštećena ili čak cijeli uređaj neće biti oštećen.

b) Čišćenje najlonskih filtera

Ako je najlonski filter (12) začepljen prašinom, tada je učinkovitost uređaja smanjena, pazite da filter očistite jednom svaka dva tjedna.

- Dlanom prstom pritisnite vanjski zasun okvira filtra (11) i izvucite ga prema sebi kako biste uklonili filterski okvir (11).

- Očistite okvir gornjeg i donjeg filtra (11) nakon što uklonite oba najlonska filtra (12) s okvira filtra (11). - slika G.

- Stavite najlonski filter (11) u toplu vodu s neutralnim deterdžentom (oko 40 °C / 104 °F) i osušite ga u hladu nakon što ga očistite.

SKLADIŠTENJE

Ako se uređaj neće dugo koristiti, učinite sljedeće:

1. Izvucite čep za odvod (8) da biste ispuстили vodu.

2. Neka uređaj radi pod ventilatorom 2 sata kako bi se osušio unutarnji.

3. Isključite uređaj i izvucite utikač.

4. Očistite i osušite filtre, a zatim ih ponovno instalirajte.

5. Izvucite ispušnu cijev za sigurno držanje.

6. Stavite uređaj u plastičnu vrećicu i stavite na suho mjesto.

7. Uklonite baterije daljinskog upravljača i pravilno ih držite.

Spremite uređaj i sve komponente uređaja na suho mjesto.

RJEŠAVANJE PROBLEMA

Problem I.: Klima uređaj ne radi.

Razlog 1: Nema struje. Dakle, uključite ga nakon što ga spojite u utičnicu s električnom energijom.

Razlog 2: Svijetli indikatorska lampica pune vode "N". Dakle, ispušite vodu.

Problem II.: Uređaj se često automatski ponovo pokreće.

Razlog 1: Izravna sunčeva svjetlost. Dakle, nacrtali su zavjese.

Razlog 2: Vrata i prozori su otvoreni, mnogi izvori topline su u sobi. Dakle, zatvorite vrata i prozore, premjestite izvore topline.

3. razlog: Filteri su previše prijavili. Dakle, očistite ili zamijenite filtere.

Razlog 4: ulaz zraka ili izlaz zraka su blokirani. Dakle, uklonite blokadu.

III problem: veliki šum

Razlog: Uređaj nije postavljen na ravnu površinu. Dakle, stavite uređaj na ravno i tvrdo mjesto kako biste smanjili buku.

Problem IV.: Kompresor ne radi.

Razlog: uključuje se zaštitna od vremenskog kašnjenja kompresora. Dakle, pričekajte 3 minute dok se temperatura ne spusti, a zatim ponovno pokrenite uređaj.

Napomena: kada dođe do nenormalnih situacija, isključite uređaj i izvucite utikač, a zatim se za pomoć obratite profesionalnoj službi. Ne popravljajte uređaj sami. Nekvalificirani popravak poništava jamstvo.

TEHNIČKI PODACI:

Kapacitet hlađenja na BTU: 9000 BTU / sat

Kapacitet hlađenja u vatima: 2640W

Potrošnja energije (hlađenje) u vatima: 1010 W

Razina buke: <= 65dB

Protok zraka: 350 m3 / sat

Energetski razred: A

Kapacitet sušenja: 24 litre / 24 sata

Rashladno sredstvo: R290 210 grama



Oprez, opasnost od požara

NE bušiti i ne paliti.

Imajte na umu da rashladno sredstvo ne sadrži neugodan miris.



Vodimo brigu o prirodnom okolišu. Kartonsku ambalažu molimo prenijeti na otpadni papir. Polietilen (PE) vreće bacati u kontejner za plastiku. Istrošena oprema treba biti premještena na prikladno mjesto za pohranu, jer sadrže u uređaju opasne tvari mogu predstavljati opasnost za okoliš. Električni uređaj mora biti predat u takvom stanju da se smanji mogućnost njegove ponovne upotrebe. Ako vaš uređaj ima baterije, treba njih ukloniti i predati na mjesto za pohranu odvojeno.

SLOVENŠČINA

SPLOŠNI VARNOSTNI POGOJI

POMEMBNA VARNOSTNA NAVODILA PREVIDNO PREBERITE IN PRIPRAVITE SE ZA PRIHODNOST

1. Pred uporabo naprave preberite navodila za uporabo in sledite navodilom, ki jih vsebuje. Proizvajalec ne odgovarja za škodo, ki jo povzroči uporaba naprave v nasprotju s predvidenim namenom ali nepravilnim delovanjem.
2. Naprava je samo za domačo uporabo. Ne uporabljajte za druge namene, ki niso predvideni.

3. Napravo je treba priključiti na električno vtičnico le z ozemljenim 220 240 V ~ 50Hz. Za povečanje obratovalne varnosti več električnih naprav ne bi smelo biti priključeno na en tokovni tokokrog hkrati.
4. Bodite zelo previdni pri uporabi naprave, ko so otroci v bližini. Ne dovolite otrokom, da se igrajo z napravo, ne dovolite otrokom ali ljudem, ki jih naprava ne pozna, da jo uporabljajo.
5. **OPOZORILO:** To opremo lahko uporabljajo otroci, starejši od 8 let, in osebe z omejenimi telesnimi, senzoričnimi ali duševnimi sposobnostmi ali osebe, ki nimajo izkušenj ali znanja o opremi, če se to izvaja pod nadzorom odgovorne osebe. zaradi varnosti ali so jim bili odobreni podatki o varni uporabi naprave in se zavedajo nevarnosti uporabe. Otroci se ne smejo igrati z opremo. Čiščenja in vzdrževanja naprave ne smejo izvajati otroci, razen če so starejši od 8 let in se te dejavnosti izvajajo pod nadzorom.
6. Vedno odklopite napajalni kabel, tako da po uporabi držite vtičnico z roko. NE vlecite napajalnega kabla.
7. Kabla, vtiča in celotne naprave ne potopite v vodo ali katero koli drugo tekočino. Naprave ne izpostavljajte atmosferskim razmeram (dež, sonce itd.) In ne uporabljajte v pogojih visoke vlažnosti (kopalnice, vlažne mobilne hišice).
8. Občasno preverite stanje napajalnega kabla. Če je napajalni kabel poškodovan, ga zamenjajte s specializirano servisno delavnico, da se izognete nevarnosti.
9. Naprave ne uporabljajte s poškodovanim napajalnim kablom ali če je padel ali poškodovan na kakršen koli drug način ali če ne deluje pravilno. Naprave ne popravljajte sami, saj obstaja nevarnost električnega udara. Poškodovano napravo odnesite v ustrezen servisni center, da preverite ali popravite. Vsa popravila smejo izvajati samo pooblaščenji serviserji. Nepravilno opravljena popravila lahko za uporabnika resno ogrozijo.
10. Napravo postavite na hladno in stabilno površino, stran od vročih kuhinjskih aparatov, kot so: električni štedilnik, plinski gorilnik itd.
11. Prepričajte se, da nič ne blokira dovoda in izstopa zraka v napravi
12. Napravo uporabljajte samo na ravni površini, da preprečite razlitje kondenzata
13. Za dodatno zaščito je priporočljivo v električni tokokrog vgraditi napravo za preostali tok (RCD) z nazivno preostalo vrednostjo, ki ne presega 30 mA. Za to vprašajte električarja.
14. Zračni filter redno čistite. Pogostost čiščenja je odvisna od čistoče zraka.
15. Po izklopu stroja počakajte vsaj 5 minut, preden ga ponovno vklopite.
16. Naprave ne uporabljajte na sončnih mestih. Ko se naprava pregreje, se vklopi zaščita pred pregrevanjem.
17. Za zagotovitev učinkovitega hlajenja je treba med stranskimi stenami naprave in steno ali pohištvom ali zavesami držati vsaj 50 cm razdalje.
18. Če je razlika med ciljno temperaturo in temperaturo okolice zaradi omejene zmogljivosti naprave prevelika, ciljne temperature morda ne bo mogoče doseči.
19. Če želite zmanjšati tveganje požara, električnega udara ali poškodb pri uporabi klimatske naprave, upoštevajte naslednje osnovne previdnostne ukrepe:
 - a) Priključite na ozemljeno vtičnico s tremi zatiči.
 - b) Ne odstranjujte ozemljitvenega droga.
 - c) Ne uporabljajte adapterja.

d) Ne uporabljajte podaljševalnega kabla.

e) klimatsko napravo pred servisiranjem izključite.

f) Za premikanje in namestitvev klimatske naprave uporabite dve ali več oseb.

20. Ne uporabljajte sredstev, ki pospešujejo postopek odtaljevanja ali čiščenja, razen tistih, ki jih priporoča proizvajalec.

21. Napravo je treba hraniti v prostoru brez stalno delujočih virov vžiga, na primer: odprtega ognja, plinskih naprav ali električnih grelnikov.

PRED PRVO UPORABO

Ko premikate napravo, se prepričajte, da je v pokončnem položaju. Pred uporabo klimatske naprave držite pokonci vsaj 2 uri.

Opis naprave - LOKALNI ZRAČNI KONDITIONER CR7929 - Slika A

- | | |
|-------------------------------------|---|
| 1. Nadzorna plošča | 2. Odvod hladnega zraka |
| 3. Daljinski upravljalnik (slika E) | 4. Ročaj |
| 5. Dovodi za zrak | 6. Izpušna cev za zrak |
| 7. Izpušni konektor | 8. Odtočna luknja z gumijastim pokrovčkom (slika F) |
| 9. Prikluček za izpušne cevi | 10. Prikluček izpušne cevi |
| 11. Okvir filtra | 12. Najlonski filter |
| 13. Odtočni čep | |

Opis nadzorne plošče - Slika D.

- A. Gumb za vklop
- C. Gumb za izklop / izklop temperature v načinu hlajenja
- D. Gumb za vklop / izklop temperature v načinu hlajenja
- E. Gumb za spanje modela
- F. Gumb za način ventilatorja
- G. Tipka timerja
- H. Gumb za samodejno nihanje zraka
- I. LED zaslon
- J. Gumb za hladen način
- K. Gumb za razvlaževanje
- L. Gumb za hitrost ventilatorja
- M. Gumb za hitro vrtnanje ventilatorja
- N. Indikator polne vode

Daljinski upravljalnik - Slika E

- | | |
|---|---|
| A. Gumb za vklop | B. Gumb za izbiro načina |
| C. Gumb za izklop temperature / časovnika | D. Gumb za temperaturo / merilnik časa |
| E. Gumb za spanje | F. Gumb za izbiro hitrosti ventilatorja |
| G. Tipka timerja | H. Gumb za nihanje zraka |

Ročno upravljanje krmilne plošče - slika D

Ob prvem vklopu zvončka bo piskal, naprava pa bo prešla v stanje pripravljenosti.

Pritisnite tipko „A“, da vklopite in izklopite napravo, glasnik enkrat predvaja signal.

IZBIRO NAČINA ročnega upravljanja nadzorne plošče -

Ko je naprava vklopljena, izberite način, ki ga potrebujete med načinom hlajenja ali ventilatorjem ali načinom razvlaževanja, kot je spodaj:

Način hlajenja -

- Pritisnite gumb "J" za izbiro načina hlajenja, nato pritisnite gumb "L", da dobite gumb za hitrost ventilatorja, ali pritisnite gumb "M", da dobite gumb za hitro hitrost ventilatorja. Nato pritisnite tipko "C" ali "D", da prilagodite zeleno temperaturo od 16 °C do 31 °C, v ventilatorju ali načinu razvlaževanja pa gumbi niso na voljo.

Način ventilatorja -

- Pritisnite gumb "F", da izberete način ventilatorja, na LCD zaslonu se prikaže "FA", nato pritisnite gumb "L", da dobite gumb za počasno hitrost ventilatorja ali pritisnite gumb "M", da dobite gumb za hitro hitrost ventilatorja. Med delovanjem ventilatorja funkcij temperature in spanja ni mogoče nastaviti.

Način razvlaževanja zraka -

- Pritisnite gumb "K" za izbiro razvlaževalnega načina, na LCD zaslonu se prikaže "dh". V načinu razvlaževanja ne morete nastaviti načina mirovanja in hitrost ventilatorja se samodejno določi na počasni hitrosti ventilatorja in je ni mogoče spremeniti. Za izklop razvlaževalnega načina izberite drug način delovanja: način hlajenja ali ventilatorja. Funkcija odtočnega čepa (13) je odvajanje kondenzirane vode iz zgornjega dela naprave. Njegova uporaba je določena glede na lokalno vlažnost zraka. Odprite odtočni čep (13) in izlijte kondenzirano vodo, če naprava deluje, ko je lokalna vlažnost zraka visoka ali če naprava neprekinjeno deluje v načinu razvlaževanja 12-24 ur. V načinu suhega hlajenja (nizka vlažnost zraka) ni potrebno odpirati odtočnega čepa (13), ker ni potrebe po odvajanju kondenzata.

Nastavljen timer -

- Ko naprava ne deluje, pritisnite tipko "G", LCD zaslon utripa, pritisnite gumb "C" ali "D", da nastavite število ur po tem, ko bo naprava začela delovati. LCD zaslon preneha utripati in zasveti se ikona časovnika.
 - Ko naprava deluje, pritisnite gumb "G", zaslon LCD utripa, pritisnite gumb "C" ali "D", da nastavite potrebno število ur, preden se naprava samodejno izklopi. LCD zaslon preneha utripati, zasvetila se bo ikona časovnika, na zaslonu se prikaže temperatura, ki je potrebna za doseg temperature. To je funkcija za zakasnjjen zagon.
- Obseg delovanja časovnika lahko določite vsako uro od 1 do 24 ur.

Spanje -

- Najprej pritisnite gumb "J" v način hlajenja, nato pritisnite gumb "E", da vklopite stanje mirovanja, potem bo naprava delovala na varčni in tihi tip.
 - Nato pritisnite tipko "C" ali "D" za nastavev zelene temperature od 16 °C do 31 °C.
 - Način spanja se samodejno programira. Po prvi uri delovanja se bo temperatura zvišala za 1 °C, po drugi uri delovanja pa se bo temperatura zvišala še za 1 °C in nato ostala na isti ravni.
 - Ponovno pritisnite gumb "E", da prekinete način spanja.
- OPOMBA: Način mirovanja ni na voljo v razvlaževanju in ventilatorjih.

Voda polna -

Zasveti lučka za polno vodo "N" in zvonec bo nekaj sekund alarmiral, nato pa bo kompresor prenehal delovati, ko bo notranji rezervoar za vodo napolnjen.

Funkcija samodejnega nihanja zraka -

Pritisnite gumb za nihanje zraka (H), ko se naprava vklopi, se samodejna funkcija nihanja zraka vklopi, loputa bo neprestano nihala levo in desno; s ponovnim pritiskom na gumb se bo premikanje ustavilo in loputa ostane v tem položaju. Polmer vodoravnega nihanja zraka je 30 stopinj levo in 30 stopinj desno od srednje navpične.

Delovanje DALJINSKEGA KONTROLA - slika E

Daljinski upravljalnik odda signale v sistem.

Gumb "A" - naprava se bo zagnala, ko bo vklopljena ali zaustavljena, če ponovno pritisnete ta gumb.

Gumb "B" - pritisnite, da izberete način delovanja: hladen način → suh način → način ventilatorja.

Gumb "C" / "D" - pritisnite, da nastavite čas delovanja od 1 do 24 ur ali potrebno sobno temperaturo od 15 do 31 °C, ko je vključen način hlajenja.

Gumb "E" - pritisnite, da nastavite ali prekinete način spanja.

Gumb "F" - pritisnite, da izberete hitrost ventilatorja v zaporedju: počasna / hitra hitrost vetra.

Gumb "G" - pritisnite ga, če želite nastaviti ali preklicati časovnik.

Gumb „H“ - pritisnite za nastavev ali preklic funkcije samodejnega nihanja zraka.

ZAŠČITNE NAPRAVE

1. Zaščita kompresorja: Tri minute kasneje po vklopu / ponovnem zagonu kompresor začne delovati.
2. Zaščitna funkcija pred prelivom: ko se prižge indikatorska svetilka "N" za polno vodo in zvonec sproži nekaj sekund, se naprava samodejno izklopi. V tem primeru morate vodo izsušiti (podrobnosti glejte Navodila za odvodnjavanje na koncu tega poglavja). Ko se voda izprazni, naprava preide v stanje pripravljenosti.
3. Funkcija zaščite pred zmrzaljo: V načinu hlajenja, če je temperatura senzorja cevi EVA prenizka, bo naprava samodejno prešla v stanje zaščite. Ko se temperatura senzorja cevi EVA dvigne na določeno temperaturo, se lahko samodejno vrne v normalno delovanje.

NAVODILA ZA ODSTRANITEV:

Ta naprava je opremljena s sistemom za samodejno izhlapevanje vode. Kondenzirani vodni cikel bo hladil kondenzator, kar ne bo samo izboljšalo učinkovitost hlajenja, ampak tudi prihranilo energijo.

1. Če je notranji rezervoar za vodo napolnjen, zasveti lučka za polno vodo "N", naprava preide v stanje pripravljenosti, brenči se, kompresor se ustavi in vsi gumbi so neveljavni, dokler naprava po odtoku vode ne postane normalna.
2. Izklopite napravo.
3. Pripravite ravno posodo (ki ni priložena), da odteče voda. Poiščite ga pod odtočno luknjo (8)
3. Odstranite gumijast pokrovček iz odtočne luknje (8) - slika F.
4. Med drenažo se telo lahko nekoliko nagne nazaj.
5. Ko voda preneha izlivati, zaprite gumijast pokrov (8).

6. Znova zaženite napravo, naprava bo normalno delovala.

ČIŠČENJE IN VZDRŽEVANJE

Čiščenje: pred čiščenjem in vzdrževanjem napravo izklopite in izvlecite vtič.

a) Čiščenje ohišja

Očistite s površino naprave z mokro mehko krpo. Ne uporabljajte kemikalij, kot so benzen, alkohol, bencin, v nasprotnem primeru se površina naprave poškoduje ali celo celotna naprava poškoduje.

b) Čiščenje najlonskih filtrov

Če je najlonski filter (12) zamašen s prahom, se učinkovitost naprave zmanjša, ne pozabite filtra očistiti enkrat na dva tedna.

- Z rokami potisnite zunanji zapah okvirja filtra (11) in ga izvlecite, da odstranite okvir filtra (11).

- Očistite okvir zgornjega in spodnjega filtra (11), potem ko odstranite oba najlonska filtra (12) s filterskega ogrodja (11). - slika G.

- Najlonski filter (11) vstavite v toplo vodo z nevtralnimi detergentom (približno 40 °C / 104 °F) in ga po čiščenju izsušite v senci.

SKLADIŠČENJE

Če naprave dlje časa ne uporabljate, naredite naslednje:

1. Izpustite drenažni čep (8), da izteče voda.

2. Pustite, da naprava deluje pod ventilatorjem 2 uri, da se izsuši notranjost naprave.

3. Izklopite napravo in izvlecite vtič.

4. Očistite in osušite filtre, nato pa jih znova namestite.

5. Izvlecite izpušno cev za varno vzdrževanje.

6. Napravo vstavite v plastično vrečko in jo postavite na suho mesto.

7. Odstranite baterije daljinskega upravljalnika in jih pravilno držite.

Napravo in vse komponente naprave hranite na suhem mestu.

ODPRAVLJANJE TEŽAV

Problem I.: Klimatska naprava ne deluje.

Razlog 1: Električne energije ni. Torej, vklopite ga, potem ko ga priključite v vtičnico z električno energijo.

Razlog 2: Sveti indikator s polno vodo „N“. Torej, izpustite vodo.

Problem II: Naprava se pogosto samodejno znova zažene.

Razlog 1: Neposredna sončna svetloba. Torej, narisali zavese.

Razlog 2: Vrata in okna so odprta, v prostoru je veliko virov toplote. Torej, zaprite vrata in okna, izklopite vire toplote.

Razlog 3: Filtri so preveč umazani. Torej, očistite ali zamenjajte filtre.

Razlog 4: Dovod zraka ali izpust zraka je blokiran. Torej, odstranite blokado.

Problem III: velik hrup

Razlog: Naprava ni postavljena na ravno površino. Napravo postavite na ravno in trdo mesto, da zmanjšate hrup.

Problem IV.: Kompresor ne deluje.

Razlog: Vklopi se zaščita pred zamudo kompresorja. Torej počakajte 3 minute, da se temperatura zniža, in nato ponovno zaženite napravo.

Opomba: kadar pride do nenormalnih situacij, izklopite napravo in izvlecite vtič, za

Naprave ne popravljajte sami. Nekvalificirano popravilo bo razveljavilo garancijo.

TEHNIČNI PODATKI:

Kapaciteta hlajenja pri BTU: 9000 BTU / uro

Hladilna zmogljivost v vatih: 2640W

Poraba energije (hlajenje) v vatih: 1010 W

Nivo hrupa: <= 65 dB

Pretok zraka: 350 m³ / uro

Energetski razred: A

Kapaciteta sušenja: 24 litrov / 24 ur

Hladilno sredstvo: R290 210 gramov



Pozor, nevarnost požara

NE prebijajte in ne gorjite.

Bodite pozorni, da hladilno sredstvo morda ne vsebuje vonja.



Starostivost o životne prostredje. Kartónový obal odovzdajte do zberných surovín. Polyetylénové vrecká (PE) vyhodte do kontajnera na plast. Opatrebný spotrebič odovzdajte na príslušný zberný dvor, nebezpečné látky spotrebiča môžu predstavovať riziko pre životné prostredie. Elektrosprebič odstráňte tak, aby nedochádzalo k jeho ďalšiemu použitiu. Ak sa v spotrebiči nachádzajú batérie, vyberte ich a odovzdajte ich na zberné miesto osobitne. Spotrebič nevyhadzujte do kontajnera na komunálny odpad!

ČESKY

OBEČNÉ BEZPEČNOSTNÍ PODMÍNKY

DŮLEŽITÉ BEZPEČNOSTNÍ POKYNY PŘEČTĚTE SI opatrně a uložte je pro budoucnost

1. Před použitím zařízení si přečtěte návod k obsluze a postupujte podle pokynů v něm obsažených. Výrobce neodpovídá za škody způsobené používáním zařízení v rozporu s jeho

- určeným účelem nebo nesprávným provozem.
2. Zařízení je určeno pouze pro domácí použití. Nepoužívejte k jiným účelům, než k zamýšlenému účelu.
 3. Zařízení by mělo být připojeno pouze k síťové zásuvce s uzemněným 220 240 V ~ 50 Hz. Pro zvýšení provozní bezpečnosti by nemělo být současně připojeno více elektrických zařízení na jeden proudový obvod.
 4. Při používání zařízení v blízkosti dětí buďte velmi opatrní. Nedovolte dětem, aby si se zařízením hrály, nedovolte dětem nebo osobám neznámým se zařízením, aby jej používaly.
 5. **VAROVÁNÍ:** Toto zařízení mohou používat děti starší 8 let a lidé s omezenými fyzickými, smyslovými nebo mentálními schopnostmi nebo lidé, kteří nemají žádné zkušenosti nebo znalosti o vybavení, pokud se tak děje pod dohledem odpovědné osoby. z důvodu jejich bezpečnosti nebo jim byly poskytnuty informace o bezpečném používání zařízení a jsou si vědomy nebezpečí jeho používání. Děti by si s tímto zařízením neměly hrát. Čištění a údržbu zařízení by neměly provádět děti, pokud nejsou starší 8 let a tyto činnosti jsou prováděny pod dohledem.
 6. Po použití vždy odpojte napájecí zástrčku tak, že budete držet zásuvku rukou. **NEDOTÝKEJTE** se napájecího kabelu.
 7. Kabel, zástrčku a celé zařízení neponořujte do vody ani jiné kapaliny. Nevystavujte zařízení povětrnostním vlivům (déšť, slunce atd.) Ani je nepoužívejte v podmínkách vysoké vlhkosti (koupelny, vlhké mobilní domy).
 8. Pravidelně kontrolujte stav napájecího kabelu. Pokud je napájecí kabel poškozen, měl by být vyměněn v odborném servisu, aby nedošlo k nebezpečí.
 9. Nepoužívejte spotřebič s poškozeným napájecím kabelem nebo pokud spadl nebo je poškozen jiným způsobem nebo pokud nefunguje správně. Neopravujte zařízení sami, mohlo by dojít k úrazu elektrickým proudem. Poškozené zařízení odнесите do příslušného servisního střediska ke kontrole nebo opravě. Veškeré opravy smí provádět pouze autorizovaný servis. Nesprávně provedené opravy mohou pro uživatele představovat vážné nebezpečí.
 10. Umístěte zařízení na chladný, stabilní povrch, mimo horké kuchyňské spotřebiče, jako jsou: elektrický sporák, plynový hořák atd.
 11. Ujistěte se, že nic neblokuje přívod a odvod vzduchu ze zařízení
 12. Používejte zařízení pouze na rovném povrchu, aby se zabránilo úniku kondenzátu
 13. Pro zajištění dodatečné ochrany je vhodné do elektrického obvodu nainstalovat zařízení na proudový chránič (RCD) s jmenovitým zbytkovým proudem nepřesahujícím 30 mA. Požádejte o to elektrikáře.
 14. Pravidelně čistěte vzduchový filtr. Četnost čištění závisí na čistotě vzduchu.
 15. Po vypnutí zařízení vyčkejte alespoň 5 minut, než jej znovu zapnete.
 16. Nepoužívejte zařízení na slunných místech. Když se zařízení přehřeje, zapne se ochrana proti přehřátí.
 17. Pro zajištění účinného chlazení by měla být mezi bočními stěnami zařízení a stěnou nebo nábytkem nebo závěsy dodržena vzdálenost nejméně 50 cm.

18. Vzhledem k omezenému výkonu zařízení, pokud je rozdíl mezi cílovou teplotou a okolní teplotou příliš velký, nemusí být cílové teploty dosaženo.

19. Abyste snížili riziko požáru, úrazu elektrickým proudem nebo zranění při používání klimatizace, dodržujte následující základní opatření:

a) Připojte k uzemněné zásuvce pomocí 3 pinů.

b) Neodstraňujte uzemňovací kolík.

c) Nepoužívejte adaptér.

d) Nepoužívejte prodlužovací kabel.

e) Před údržbou odpojte klimatizaci.

f) K přemísťování a instalaci klimatizace použijte dvě nebo více osob.

20. Nepoužívejte prostředky, které urychlují proces odmrazování nebo čištění, než ty, které doporučuje výrobce.

21. Zařízení by mělo být skladováno v místnosti bez stálých provozních zdrojů zapálení, například: otevřený oheň, plynové spotřebiče nebo elektrické ohříváče.

PŘED PRVNÍM POUŽITÍM

Při pohybu zařízení se ujistěte, že je ve svislé poloze. Před použitím klimatizaci udržujte ve svislé poloze alespoň 2 hodiny.

Popis zařízení - LOCAL AIR CONDITIONER CR7929 - Obrázek A

- | | |
|--------------------------------|--|
| 1. Ovládací panel | 2. Výstup studeného vzduchu |
| 3. Dálkový ovladač (obrázek E) | 4. Rukojeť |
| 5. Vstupy vzduchu | 6. Potrubí pro odvod vzduchu |
| 7. Výfukový konektor | 8. Vypouštěcí otvor s gumovým uzávěrem (obrázek F) |
| 9. Adaptér pro výfuk okna | 10. Konektor potrubí pro odvod vzduchu |
| 11. Rámeček filtru | 12. Nylonový filtr |
| 13. Vypouštěcí zátku | |

Popis ovládacího panelu - obrázek D.

- A. Tlačítko napájení
- C. Tlačítko pro snížení teploty / snížení času v režimu chlazení
- D. Tlačítko zvyšování teploty / časovače v režimu chlazení
- E. Tlačítko režimu spánku
- F. Tlačítko režimu ventilátoru
- G. Tlačítko časovače
- H. Tlačítko automatické oscilace vzduchu
- I. LED obrazovka
- J. Tlačítko režimu chlazení
- Tlačítko pro odvlhčování K.
- L. Tlačítko pomalé rychlosti ventilátoru
- M. Tlačítko rychlé rychlosti ventilátoru
- N. Kontrolka plné vody

Dálkový ovladač - obrázek E

- A. Tlačítko napájení
- B. Tlačítko volby režimu
- C. Tlačítko pro snížení teploty / časovače
- D. Tlačítko Teplota / časovač nahoru
- E. Tlačítko režimu spánku
- F. Tlačítko výběru rychlosti ventilátoru
- G. Tlačítko časovače
- H. Tlačítko oscilace vzduchu

OVLÁDACÍ PANEL ruční ovládání - obrázek D

Při prvním zapnutí se ozve bzučák a zařízení se přepne do pohotovostního stavu.

Stisknutím tlačítka „A“ zapnete a vypnete zařízení, bzučák jednou zazní signál.

VÝBĚR REŽIMU při ručním ovládní ovládacího panelu -

Když je zařízení zapnuto, vyberte požadovaný režim mezi režimem chlazení nebo režimem ventilátoru nebo režimem odvlhčování, jak je uvedeno níže:

Režim chlazení -

- Stisknutím tlačítka „J“ vyberte režim chlazení, poté stiskněte tlačítko „L“, abyste dostali tlačítko s pomalou rychlostí ventilátoru, nebo stisknutím tlačítka „M“ tlačítko s rychlou rychlostí ventilátoru. Poté stiskněte tlačítko „C“ nebo „D“ pro nastavení požadované teploty od 16 31 do 31 °C, tlačítka nejsou dostupná v režimu ventilátoru nebo odvlhčování.

Režim ventilátoru -

- Stisknutím tlačítka „F“ vyberte režim ventilátoru, na LCD displeji se zobrazí „FA“, poté stisknutím tlačítka „L“ přepněte na tlačítko s nízkou rychlostí ventilátoru nebo stisknutím tlačítka „M“ získáte tlačítko rychlé rychlosti ventilátoru. Během provozu ventilátoru nelze nastavit teplotu a spánek.

Odvlhčovací režim -

- Stisknutím tlačítka „K“ vyberte režim odvlhčování, na LCD displeji se zobrazí „dh“. V režimu odvlhčování nelze režim spánku nastavit a rychlost ventilátoru je pevně nastavena na nízkou rychlost ventilátoru a nelze ji změnit. Pro vypnutí režimu odvlhčování zvolte jiný provozní režim: režim chlazení nebo ventilátor. Funkci vypouštěcí zátky (13) je vypouštění kondenzované vody z horní části zařízení. Jeho použití je určeno podle místní vzdušné vlhkosti. Je-li zařízení v provozu při vysoké vlhkosti místního vzduchu nebo zařízení pracuje nepřetržitě po dobu 12-24 hodin nepřetržitě v režimu odvlhčování, je třeba otevřít vypouštěcí zátku (13) a vylít kondenzát. V režimu suchého chlazení (nízká vlhkost vzduchu) není nutné otvírat vypouštěcí zátku (13), protože není nutné vypouštět kondenzát.

Nastavení časovače -

- Pokud zařízení nefunguje, stiskněte tlačítko „G“, LCD obrazovka bliká, stiskněte tlačítko „C“ nebo „D“ a nastavte počet hodin poté, co zařízení začne pracovat. LCD obrazovka přestane blikat a ikona časovače se rozsvítí.

- Když zařízení pracuje, stiskněte tlačítko „G“, LCD obrazovka bliká, stisknutím tlačítka „C“ nebo „D“ nastavte počet hodin, které musí uplynout, než se zařízení automaticky vypne. Displej LCD přestane blikat, ikona časovače se rozsvítí, obrazovka LCD vyžaduje dosažení teploty. Jedná se o funkci odloženého startu.

Rozsah provozu časovače lze nastavit každou hodinu od 1 do 24 hodin.

Režim spánku -

- Nejprve stiskněte tlačítko „J“ do režimu chlazení, poté stiskněte tlačítko „E“ pro zapnutí režimu spánku, pak zařízení bude pracovat na úsporném a tichém typu.

- Dále stiskněte tlačítko „C“ nebo „D“ pro nastavení požadované teploty od 16 31 do 31 °C.

- Režim spánku je automaticky naprogramován. Po první hodině provozu se teplota zvýší o 1 °C, po druhé hodině provozu se teplota zvýší o další 1 °C a zůstane na stejné úrovni.

- Opětovným stisknutím tlačítka „E“ režim spánku zrušíte.

POZNÁMKA: Režim spánku není k dispozici v režimech odvlhčování a ventilátoru.

Plný vody -

Kontrolka naplnění vodou „N“ se rozsvítí a bzučák bude po dobu několika sekund varovat, pak se kompresor přestane fungovat, jakmile se naplní vnitřní nádržka na vodu zařízení.

Funkce automatické oscilace vzduchu -

Stiskněte tlačítko vzduchové oscilace (H), jakmile se zařízení zapne, zapne se funkce automatické oscilace vzduchu, žaluzie se bude neustále otáčet doleva a doprava; dalším stiskem tlačítka se pohyb zastaví a žaluzie zůstane v této poloze.

Poloměr horizontální oscilace vzduchu je 30 stupňů vlevo a 30 stupňů vpravo od střední vsvisle.

Provoz DÁLKOVÉHO OVLADAČE - obrázek E

Dálkový ovladač přenáší signály do systému.

Tlačítko „A“ - zařízení se spustí, když je pod napětím nebo bude zastaveno, pokud toto tlačítko znovu stisknete.

Tlačítko „B“ - stisknutím tohoto tlačítka zvolíte provozní režim: chladný režim → suchý režim → režim ventilátoru.

Tlačítko „C“ / „D“ - stiskem nastavíte provozní dobu od 1 do 24 hodin nebo požadovanou pokojovou teplotu od 15 do 31 °C při zapnutí režimu chlazení.

Tlačítko „E“ - stisknutím tohoto tlačítka nastavíte nebo zrušíte režim spánku.

Tlačítko „F“ - stisknutím tohoto tlačítka vyberete rychlost ventilátoru v pořadí: pomalá / rychlá rychlost větru.

Tlačítko „G“ - stisknutím tohoto tlačítka nastavíte nebo zrušíte časovač.

Tlačítko „H“ - stisknutím nastavíte nebo zrušíte funkci automatického kmitání vzduchu.

OCHRANNÉ ZAŘÍZENÍ

1. Ochrana kompresoru: O tři minuty později po zapnutí / restartu se spustí kompresor.

2. Funkce ochrany proti průtoku: když se rozsvítí kontrolka naplnění vodou „N“ a bzučák několik sekund zazní poplach, zařízení se automaticky vypne. V takovém případě musíte vypustit vodu (podrobnosti viz Odtokové pokyny na konci této kapitoly). Po vypuštění vody

se zařízením přepne do pohotovostního stavu.

3. Funkce protimrazové ochrany: Pokud je v režimu chlazení příliš nízká teplota trubkového senzoru EVA, zařízení automaticky přejde do stavu ochrany. Když teplota trubkového senzoru EVA stoupne na určitou teplotu, může se automaticky vrátit k normálnímu provozu.

POKYNY PRO ODSTRAŇOVÁNÍ:

Toto zařízení je vybaveno systémem automatického odpařování vody. Cyklus kondenzované vody ochlazuje kondenzátor, což nejen zlepšuje účinnost chlazení, ale také šetří energii.

1. Pokud je vnitřní nádrž na vodu plná, rozsvítí se kontrolka naplnění vody „N“, zařízení přejde do pohotovostního režimu, bzučák křičí, kompresor se zastaví a všechna tlačítka jsou neplatná, dokud se po odtoku vody neobnoví normální stav.

2. Vypněte zařízení.

3. Připravte plochý kontejner (není součástí sady) k vypuštění vody. Vyhleďte jej pod vypouštěcím otvorem (8)

3. Odstraňte pryžový uzávěr z vypouštěcího otvoru (8) - obrázek F.

4. Během drenáže může být tělo nakloněno mírně dozadu.

5. Jakmile voda přestane vytékat, uzavřete gumový uzávěr (8).

6. Restartujte zařízení, zařízení bude běžet normálně.

ČIŠTĚNÍ A ÚDRŽBA

Čištění: Před čišněním a údržbou zařízení vypněte a vytáhněte zástrčku ze zásuvky.

a) Čištění krytu

Vyčistěte povrch přístroje vlhkým měkkým hadříkem. Nepoužívejte chemikálie, jako je benzen, alkohol, benzín, jinak dojde k poškození povrchu zařízení nebo poškození celého zařízení.

b) Čištění čistých nylonových filtrů

Pokud je nylonový filtr (12) ucpaný prachem, pak je účinnost zařízení snížena, čistěte filtr jednou za dva týdny.

- Zatlačte rukama z vnější strany západku rámečku filtru (11) a vytáhněte rámeček filtru (11) směrem k sobě.

- Po vyjmutí obou nylonových filtrů (12) z rámu filtru (11) vyčistěte horní a dolní rám filtrů (11). - obrázek G.

- Vložte nylonový filtr (11) do teplé vody s neutrálním čisticím prostředkem (asi 40 °C / 104 °F) a po opláchnutí jej ve stínu vysušte.

ÚLOŽNÝ PROSTOR

Pokud zařízení nebude dlouho používáno, proveďte následující:

1. Vytáhněte vypouštěcí zátku (8), aby vytékala voda.

2. Nechte zařízení běžet v režimu ventilátoru po dobu 2 hodin, aby vychlo vnitřní zařízení.

3. Vypněte zařízení a vytáhněte zástrčku.

4. Vyčistěte a vysušte filtry a znovu je nainstalujte.

5. Pro bezpečné uchování vytáhněte výfukové potrubí.

6. Vložte zařízení do plastového sáčku a umístěte jej na suché místo.

7. Vyjměte baterie dálkového ovladače a řádně je uschovejte.

Skladujte zařízení a všechny jeho součásti na suchém místě.

ŘEŠENÍ PROBLÉMŮ

Problém I.: Klimatizace nefunguje.

Důvod 1: Není elektřina. Takže ji po připojení k elektrické zásuvce zapněte.

Důvod 2: Kontrolka plné vody „N“ svítí. Takže vypusťte vodu.

Problém II.: Zařízení se automaticky restartuje často.

Důvod 1: Přímé sluneční světlo. Takže nakresliť závěsy.

Důvod 2: Dveře a okna jsou otevřená, v místnosti je mnoho zdrojů tepla. Zavřete tedy dveře a okna, odstraňte zdroje tepla.

Důvod 3: Filtry jsou příliš špinavé. Vyčistěte nebo vyměňte filtry.

Důvod 4: Přívod vzduchu nebo přívod vzduchu je blokován. Odstraňte zablokování.

Problém III.: Velký hluk

Důvod: Zařízení není umístěno na rovném povrchu. Umístěte zařízení na rovné a tvrdé místo, aby se snížil hluk.

Problém IV.: Kompresor nefunguje.

Důvod: Je zapnuta ochrana zpoždění kompresoru. Počkejte 3 minuty, až se teplota sníží, a restartujte zařízení.

Poznámka: Pokud dojde k neobvyklým situacím, vypněte zařízení a vytáhněte zástrčku a poté kontaktujte odborný servis.

Neopravujte zařízení sami. Neodborná oprava zruší záruku.

TECHNICKÁ DATA:

Chladicí kapacita na BTU: 9000 BTU / hod

Chladicí výkon ve wattch: 2640 W

Spotřeba energie (chlazení) ve wattch: 1010 W

Hlučnost: <= 65 dB

Průtok vzduchu: 350 m³ / hod

Energetická třída: A

Sušicí kapacita: 24 litrů / 24 hodin

Chladicí číidlo: R290 210 gramů



Pozor, nebezpečí požáru.

NEPROPOUŠTĚTE ani nespalujte.

Uvědomte si, že chladivo nemusí obsahovat zápach.



Staráme se o životní prostředí. Papírové obaly odevzdávejte do sběrných surovin. Polyetylenová balení (PE) vhažujte do odpadkových košů na plasty. Použité zařízení odevzdávejte do sběrného dvoru, protože se v něm mohou nacházet části, které jsou pro životní prostředí škodlivé nebo nebezpečné. Elektrosportřebiče odevzdávejte v takové podobě, aby bylo znemožněno jejich další použití. Pokud se v zařízení nacházejí baterie, vyjměte je a odevzdejte zvlášť.

DANSKI

GENERELLE SIKKERHEDSBETINGELSER

VIGTIGE SIKKERHEDSINSTRUKTIONER LÆS PERSONLIG OG SPAR FOR FREMTID

1. Før du bruger enheden, skal du læse betjeningsvejledningen og følge instruktionerne i den. Producenten er ikke ansvarlig for skader forårsaget af brug af enheden i modsætning til dets tilsigtede formål eller forkert betjening.
2. Enheden er kun til hjemmebrug. Brug ikke til andre formål, der ikke er beregnet til dets tilsigtede formål.
3. Enheden skal kun tilsluttes en stikkontakt med et jordet 220 240V ~ 50Hz. For at øge driftssikkerheden skal flere elektriske enheder ikke tilsluttes et strømkredsløb på samme tid.
4. Vær meget forsigtig, når du bruger enheden, når børn er i nærheden. Lad ikke børn lege med enheden, lad ikke børn eller personer, der ikke kender enheden, bruge den.
5. ADVARSEL: Dette udstyr kan bruges af børn over 8 år og personer med begrænset fysisk, sensorisk eller mental evne, eller personer, der ikke har erfaring eller viden om udstyret, hvis dette sker under opsyn af en ansvarlig person for deres sikkerhed eller har fået dem oplysninger om sikker brug af enheden og er opmærksomme på farerne ved at bruge det. Børn bør ikke lege med udstyret. Rengøring og vedligeholdelse af enheden bør ikke udføres af børn, medmindre de er over 8 år gamle, og disse aktiviteter udføres under opsyn.
6. Frakobl altid strømstikket ved at holde stikket med hånden efter brug. Træk IKKE i netledningen.
7. Sænk ikke kablet, stikket og hele enheden i vand eller anden væske. Udsæt ikke enheden for atmosfæriske forhold (regn, sol osv.) Eller brug under forhold med høj luftfugtighed (badeværelser, fugtige mobilhomes).
8. Kontroller periodisk strømkablets tilstand. Hvis strømkablet er beskadiget, skal det udskiftes af et specialværksted for at undgå fare.
9. Brug ikke apparatet med et beskadiget strømkabel, eller hvis det er faldet eller beskadiget på anden måde, eller hvis det ikke fungerer korrekt. Reparér ikke enheden selv, da der er risiko for elektrisk stød. Tag den beskadigede enhed til et passende servicecenter for kontrol eller reparation. Alle reparationer må kun udføres af autoriserede servicepunkter. Forkert udførte reparationer kan medføre alvorlig fare for brugeren.
10. Placer enheden på en kølig, stabil overflade væk fra varme køkkenapparater som: elektrisk komfur, gasbrænder osv.
11. Sørg for, at intet blokerer enhedens luftindtag og udløb
12. Brug kun enheden på en plan overflade for at forhindre, at kondensen spilder ud
13. For at yde yderligere beskyttelse tilrådes det at installere en reststrømsenhed (RCD) i det elektriske kredsløb med en nominel reststrøm på ikke over 30 mA. Spørg en elektriker til dette.

14. Rengør luftfilteret regelmæssigt. Rengøringshyppigheden afhænger af luftens renhed.
15. Efter at have slukket for maskinen, skal du vente mindst 5 minutter, før du tænder den igen.
16. Brug ikke enheden solrige steder. Når enheden overophedes, tændes overophedningsbeskyttelsen enheden.
17. For at sikre effektiv afkøling skal der holdes en afstand på mindst 50cm mellem enhedens sidevægge og væggen eller møbler eller gardiner.
18. På grund af enhedens begrænsede ydeevne, hvis forskellen mellem måltemperaturen og omgivelsestemperaturen er for stor, er måske ikke måltemperaturen nået.
19. For at reducere risikoen for brand, elektrisk stød eller personskade, når du bruger klima anlægget, skal du følge følgende grundlæggende forholdsregler:
 - a) Tilslut til et jordet stikkontakt med 3 stifter.
 - b) Fjern ikke jordforbindelsesstangen.
 - c) Brug ikke adapteren.
 - d) Brug ikke en forlængerledning.
 - e) Frakobl klima anlægget før service.
 - f) Brug to eller flere personer til at flytte og installere klima anlægget.
20. Brug ikke andre midler, der fremskynder afrimnings- eller rengøringsprocessen, bortset fra dem, der er anbefalet af producenten.
21. Enheden skal opbevares i et rum uden konstant drift af antændelseskilder, for eksempel: åben ild, gasapparater eller elektriske opvarmere.

FØR FØRSTE BRUG

Når du flytter enheden, skal du sørge for, at den er i lodret position. Inden klima anlægget bruges skal det holdes oprejst mindst 2 timer.

Enhedsbeskrivelse - LOCAL AIR CONDITIONER CR7929 - Picture A

- | | |
|-------------------------------|--|
| 1. Kontrolpanel | 2. Kold luftudgang |
| 3. Fjernbetjening (billede E) | 4. Håndtag |
| 5. Luftindtag | 6. Luftudstødningsrør |
| 7. Udstødningsstik | 8. Tøm hullet med gummihætte (billede F) |
| 9. Vinduesudstødningsadapter | 10. Tilslutning af luftudstødningsrør |
| 11. Filtteramme | 12. Nylonfilter |
| 13. Tøm stikket | |

Betjeningspanel Beskrivelse - Billede D.

- A. Tænd / sluk-knap
- C. Temperatur ned / timer ned-knap i køletilstand
- D. Temperatur op / timer-op-knap i køletilstand
- E. Knappen Sleep model
- F. Knap til ventilatortilstand
- G. Timer-knap
- H. Automatisk luftoscillationsknap
- I. LED-skærm
- J. Knap til cool tilstand
- K. Affugtningsknap
- L. Knappen til langsom ventilatorhastighed
- M. Hurtig knap til blæserhastighed
- N. Vandtæt indikatorlampe

Fjernbetjening - billede E

- A. Tænd / sluk-knap
- B. Knap til valg af tilstand
- C. Temperatur / timer ned-knap

- D. Temperatur / timer-op-knap
- E. Knap til dvaletilstand
- F. Valg af ventilatorhastighed
- G. Timer-knap
- H. Luftoscillationsknap

CONTROL PANEL manuel betjening - billede D

Når der tændes for første gang, råber summeren, og derefter kommer enheden i standby-status.

Tryk på knappen "A" for at tænde og slukke for enheden, summeren afspiller signal én gang.

MODE VALG på manuel betjening af kontrolpanelet -

Når enheden er tændt, skal du vælge den tilstand, du har brug for, mellem køletilstand eller ventilatorstilstand eller affugtningsstilstand som nedenfor:

Køletilstand -

- Tryk på knappen "J" for at vælge køletilstand, tryk derefter på knappen "L" for at få langsom blæserhastighedsknap eller tryk på knappen "M" for at få hurtig blæserhastighedsknap. Tryk derefter på knappen "C" eller "D" for at justere den krævede temperatur fra 16 °C til 31 °C, knapper er ikke tilgængelige i ventilator eller affugtningsstilstand.

Ventilatorstilstand -

- Tryk på knappen "F" for at vælge ventilatorstilstand, LCD-skærmen viser "FA", tryk derefter på knappen "L" for at få langsom ventilatorhastighedsknap eller tryk på knappen "M" for at få hurtig blæserhastighedsknap. Under drift af ventilatorstilstand kan temperaturen og sovefunktionerne ikke indstilles.

Affugtningsstilstand -

- Tryk på knappen "K" for at vælge affugtningsstilstand, LCD-skærmen viser "dh". Under affugtningsstilstand kan dvaletilstand ikke indstilles, og blæserhastigheden er fastgjort på langsom ventilatorhastighed og kan ikke ændres. For at slukke for affugtningsstilstand skal du vælge anden betjeningstilstand: køle- eller ventilatorstilstand. Afløbsproppen (13) har til formål at dræne kondensvandet fra enhedens overdel. Snes anvendelse bestemmes i henhold til den lokale luftfugtighed. Det er nødvendigt at åbne afløbsproppen (13) og hælde kondensvandet ud, hvis enheden fungerer, når den lokale luftfugtighed er høj, eller enheden kører kontinuerligt i affugtningsstilstand i 12-24 timer kontinuerligt. I tørkølingsstilstand (lav luftfugtighed) er det ikke nødvendigt at åbne afløbsproppen (13), fordi kondensatet ikke er nødvendigt at tømme.

Timer konfigureret -

- Når enheden ikke fungerer, skal du trykke på knappen "G", LCD-skærmen blinker, tryk på knappen "C" eller "D" for at indstille antallet af timer efter, at enheden skal begynde at fungere. LCD-skærmen holder op med at blinke, og timerikonet lyser.
- Når enheden fungerer, skal du trykke på knappen "G", LCD-skærmen blinker, tryk på knappen "C" eller "D" for at indstille det antal timer, der skal gå, før enheden slukkes automatisk. LCD-skærmen holder op med at blinke, timerikonet vil blive oplyst, LCD-skærmen viser nødvendigt for at opnå temperatur. Dette er en forsinket startfunktion.
Timerens driftsområde kan fastlægges med hver time fra 1 til 24 timer.

Sove mode -

- Tryk først på knappen "J" til køletilstand, tryk derefter på knappen "E" for at tænde dvaletilstanden, derefter fungerer enheden med energibesparende og stille type.
- Tryk derefter på knappen "C" eller "D" for at justere den krævede temperatur fra 16 °C til 31 °C.
- Dvaletilstand programmeres automatisk. Efter den første driftstid stiger temperaturen med 1 °C, efter den anden driftstid stiger temperaturen med yderligere 1 °C og forbliver derefter på samme niveau.
- Tryk på knappen "E" igen for at annullere dvaletilstand.

BEMÆRK: Dvaletilstand er ikke tilgængelig i affugtningsstilstand og ventilatorstilstand.

Vand fuldt -

Den fulde vandindikatorlampe "N" lyser, og summeren alarmerer i flere sekunder, hvorefter kompressoren holder op med at arbejde, når den indre enhedens vandtank er fuld.

Automatisk luftsvingningsfunktion -

Tryk på en luftoscillationsknap (H), når enheden er tændt, automatisk luftoscillationsfunktion tændes, løfteruppen svinger kontinuerligt til venstre og højre; ved at trykke på knappen igen stopper bevægelsen, og løfteren forbliver i denne position.
Radius for vandret luftsvingning er 30 grader til venstre og 30 grader højre retning fra det midterste lodrette.

Fjernbetjening - billede E

Fjernbetjeningen transmitterer signaler til systemet.

Knap "A" - enheden startes, når den er tændt eller stoppes, hvis du trykker på denne knap igen.

- Knap "B" - tryk på den for at vælge driftsfunktion: kølig tilstand → tør tilstand → ventilatorstilstand.
 Knap "C" / "D" - tryk for at indstille driftstiden fra 1 til 24 timer eller den krævede stuetemperatur fra 15 til 31 ° C, når køleindstilling er tændt.
 Knap "E" - tryk på den for at indstille eller annullere dvaletilstand.
 Knap "F" - tryk på den for at vælge blæserhastighed i rækkefølge: langsom / hurtig vindhastighed.
 Knap "G" - tryk på den for at indstille eller annullere timeren.
 Knap "H" - tryk for at indstille eller annullere automatisk luftoscillationsfunktion.

BESKYTTELSESANORDNINGER

1. Kompressorbeskyttelse: Tre minutter senere efter tændt / genstart begynder kompressoren at køre.
2. Overflowbeskyttelsesfunktion: når den fulde vandindikatorlampe "N" lyser, og summeren alarmerer i flere sekunder, slukkes enheden automatisk. I dette tilfælde skal du dræne vandet (detaljer se dræningsinstruktioner i slutningen af dette kapitel). Når vandet er tømt, kommer enheden i standby-status.
3. Frostbeskyttelsesfunktion: I køletilstand, hvis temperaturen på EVA-rørføleren er for lav, indtaster enheden automatisk beskyttelsesstatus. Når temperaturen på EVA-rørføleren stiger til en bestemt temperatur, kan den automatisk vende tilbage til normal drift.

DRINAGEINSTRUKTIONER:

Denne enhed er udstyret med auto-vandfordampningssystem. Kondenseret vandcyklus afkøler kondensatoren, hvilket ikke kun forbedrer køleeffektiviteten, men også sparer energi.

1. Hvis den indvendige vandtank er fuld, lyser den fulde vandindikatorlampe "N", enheden går i standbytilstand, summer hylér, kompressoren stopper, og alle knapper er ugyldige, indtil enheden er gendannet efter normal dræning.
2. Sluk for enheden.

3. Forbered en flad beholder (medfølger ikke at sætte) for at dræne vandet. Find det under drænhullet (8)

3. Fjern gummihætten fra drænhullet (8) - billede F.

4. Under dræning kan kroppen vippe let bagud.

5. Luk gummihætten (8), når vandet er stoppet for at hælde ud.

6. Genstart enheden, enheden kører normalt.

RENGØRING OG VEDLIGEHOLDELSE

Rengøring: Før rengøring og vedligeholdelse, skal du slukke for enheden og tage stikket ud af stikket.

a) Rengøring af boliger

Rengør med enhedens overflade med en våd, blød klud. Brug ikke kemikalier, såsom benzen, alkohol, benzin, ellers vil enhedens overflade blive beskadiget, eller endda hele enheden bliver beskadiget.

b) Rengøring af nylonfilter

Hvis nylonfilteret (12) er tilstoppet med støv, reduceres enhedens effektivitet, skal du rengøre filteret en gang hver anden uge.

- Tving ned fra ydersiden af filterrammen (11) med hænderne, og træk ud til dig selv for at fjerne filterrammen (11).

- Rengør den øverste og nedre filterramme (11) efter at have fjernet begge nylonfiltre (12) fra filterrammen (11). - billede G.

- Sæt nylonfilter (11) i varmt vand med neutralt rengøringsmiddel (ca. 40 °C / 104 °F) og tør det i skyggen efter skylning.

OPBEVARING

Hvis enheden vil være ubrugt i lang tid, skal du gøre som følger:

1. Træk dræningsproppen (8) ud for at strøme vandet ud.
2. Lad enheden køre under ventilatorstilstand i 2 timer for at udtørre enhedens interne.
3. Sluk for enheden, og træk stikket ud.
4. Rengør og tør filtre, og geninstaller dem derefter.
5. Træk udstødningsrøret ud for sikker opbevaring.
6. Sæt enheden i plastikpose, og anbring den på et tørt sted.
7. Fjern batterierne på fjernbetjeningen, og opbevar dem korrekt.

Opbevaring af enheden og alle enhedens komponenter på tørt sted.

FEJLFINDING

Problem I.: Klimaenlægget fungerer ikke.

Årsag 1: Der er ingen elektricitet. Så tænd den, når du har tilsluttet den til en stikkontakt med elektricitet.

Årsag 2: Den fulde vandindikatorlampe "N" lyser. Så udledes vandet.

Problem II.: Enheden genstarter ofte ofte.

Årsag 1: Direkte sollys. Så tegnet gardinerne.

Årsag 2: Døre og vinduer er åbne, mange varmekilder i rummet. Så luk døren og vinduerne, flyt varmekilder ud.

Årsag 3: Filtre er for beskidt. Så rengør eller udskift filtre.

Årsag 4: Luftindtag eller luftudladning er blokeret. Så fjern blokering.

Problem III.: Stor støj

Årsag: Enheden er ikke placeret på en plan overflade. Så sæt enheden på et fladt og hårdt sted for at reducere støj.

Problem IV.: Kompressor fungerer ikke.

Årsag: Kompressorens tidsforsinkelsesbeskyttelse tændes. Så vent i 3 minutter, indtil temperaturen er sænket, og genstart derefter enheden.

Bemærk: Når der opstår unormale situationer, skal du slukke for enheden og trække stikket ud og derefter kontakte professionel service for at få hjælp.

Reparer ikke enheden selv. Ikke kvalificeret reparation annullerer garantien.

TEKNISK DATA:

Kølekapacitet ved BTU: 9000 BTU / time

Kølekapacitet i watt: 2640W

Energiforbrug (afkøling) i watt: 1010 W

Støjniveau: <= 65dB

Luftstrøm: 350 m³ / time

Energiklasse: A

Tørringskapacitet: 24 liter / 24 timer

Kølevæske: R290 210 gram



Forsigtig, risiko for brand.

Må IKKE gennembores eller brændes.

Vær opmærksom på, at kølemediet muligvis ikke indeholder en lugt.



Af hensyn til miljøet ..

Venligst overfør papemballage til affaldspapir. Hæld polyethylenposer (PE) i plastbeholderen Slidt enhed skal returneres til det relevante punkt opbevaring, fordi det er farligt i enheden ingredienser kan udgøre en trussel for miljøet. Den elektriske enhed skal overleveres for at begrænse dets genanvendelse og brug. Hvis i enheden der er batterier, fjern dem og vende tilbage til punktet opbevares separat.

ΕΛΛΑΔΑ

ΓΕΝΙΚΕΣ ΠΡΟΫΠΟΘΕΣΕΙΣ ΑΣΦΑΛΕΙΑΣ

ΣΗΜΑΝΤΙΚΕΣ ΟΔΗΓΙΕΣ ΑΣΦΑΛΕΙΑΣ ΔΙΑΒΑΣΤΕ ΠΡΟΣΕΚΤΙΚΑ ΚΑΙ ΦΥΛΑΞΤΕ ΓΙΑ ΜΕΛΛΟΝ

1. Πριν χρησιμοποιήσετε τη συσκευή, διαβάστε το εγχειρίδιο λειτουργίας και ακολουθήστε τις οδηγίες που περιέχει. Ο κατασκευαστής δεν ευθύνεται για ζημιές που προκλήθηκαν από τη χρήση της συσκευής σε αντίθεση με τον προορισμό ή την ακατάλληλη λειτουργία.
2. Η συσκευή προορίζεται μόνο για οικιακή χρήση. Μην χρησιμοποιείτε για άλλους σκοπούς που δεν είναι για τον προορισμό τους.
3. Η συσκευή πρέπει να συνδέεται μόνο σε πρίζα εναλλασσόμενου ρεύματος με γειωμένο 220 240V ~ 50Hz. Για να αυξήσετε την ασφάλεια λειτουργίας, πολλές ηλεκτρικές συσκευές δεν πρέπει να συνδέονται ταυτόχρονα σε ένα κύκλωμα ρεύματος.
4. Να είστε ιδιαίτερα προσεκτικοί όταν χρησιμοποιείτε τη συσκευή όταν τα παιδιά βρίσκονται κοντά. Μην επιτρέπετε στα παιδιά να παίζουν με τη συσκευή, μην επιτρέπετε σε παιδιά ή άτομα που δεν είναι εξοικειωμένα με τη συσκευή να τα χρησιμοποιούν.
5. ΠΡΟΕΙΔΟΠΟΙΗΣΗ: Αυτός ο εξοπλισμός μπορεί να χρησιμοποιηθεί από παιδιά ηλικίας άνω των 8 ετών και άτομα με περιορισμένη σωματική, αισθητηριακή ή νοητική ικανότητα ή άτομα που δεν έχουν εμπειρία ή γνώση του εξοπλισμού, εάν αυτό γίνεται υπό την επίβλεψη υπεύθυνου προσώπου για την ασφάλειά τους ή έχουν λάβει πληροφορίες για την ασφαλή χρήση της συσκευής και γνωρίζουν τους κινδύνους από τη χρήση της. Τα παιδιά δεν πρέπει να παίζουν με τον εξοπλισμό. Ο καθαρισμός και η συντήρηση της συσκευής δεν πρέπει να εκτελούνται από παιδιά, εκτός αν είναι άνω των 8 ετών και οι δραστηριότητες αυτές εκτελούνται υπό επίβλεψη.
6. Πάντοτε αποσυνδέετε το φις από την πρίζα κρατώντας την υποδοχή με το χέρι σας μετά τη χρήση. ΜΗΝ τραβάτε το καλώδιο τροφοδοσίας.
7. Μη βυθίζετε το καλώδιο, το βύσμα και ολόκληρη τη συσκευή σε νερό ή άλλο υγρό. Μην εκθέτετε τη συσκευή σε ατμοσφαιρικές συνθήκες (βροχή, ήλιο, κ.λπ.) ή σε συνθήκες υψηλής υγρασίας (μπάνια, υγροί κινητοί οικισμοί).
8. Ελέγχετε περιοδικά την κατάσταση του καλωδίου τροφοδοσίας. Εάν το καλώδιο τροφοδοσίας είναι κατεστραμμένο, πρέπει να αντικατασταθεί από ειδικό κατάστημα επισκευής για να αποφευχθεί ο κίνδυνος.

9. Μην χρησιμοποιείτε τη συσκευή με φθαρμένο καλώδιο τροφοδοσίας ή εάν έχει πέσει ή έχει υποστεί ζημιά με οποιονδήποτε άλλο τρόπο ή εάν δεν λειτουργεί σωστά. Μην επισκευάζετε τη συσκευή σας μόνοι σας, καθώς υπάρχει κίνδυνος ηλεκτροπληξίας. Πάρτε την κατεστραμμένη συσκευή σε κατάλληλο κέντρο σέρβις για έλεγχο ή επισκευή. Όλες οι επισκευές πρέπει να εκτελούνται μόνο από εξουσιοδοτημένα σημεία εξυπηρέτησης. Οι εσφαλμένες επισκευές μπορούν να προκαλέσουν σοβαρό κίνδυνο για τον χρήστη.
10. Τοποθετήστε τη συσκευή σε δροσερή, σταθερή επιφάνεια, μακριά από θερμές συσκευές κουζίνας όπως: ηλεκτρική κουζίνα, καυστήρα αερίου κλπ.
11. Βεβαιωθείτε ότι τίποτα δεν εμποδίζει την είσοδο και την έξοδο αέρα της συσκευής
12. Χρησιμοποιείτε τη συσκευή μόνο σε επίπεδη επιφάνεια για να αποφύγετε τη διαρροή της συμπύκνωσης
13. Για την παροχή πρόσθετης προστασίας, συνιστάται η τοποθέτηση συσκευής υπολειπόμενου ρεύματος (RCD) στο ηλεκτρικό κύκλωμα με ονομαστικό υπολειπόμενο ρεύμα που δεν υπερβαίνει τα 30mA. Ρωτήστε έναν ηλεκτρολόγο για αυτό.
14. Καθαρίζετε τακτικά το φίλτρο αέρα. Η συχνότητα καθαρισμού εξαρτάται από την καθαριότητα του αέρα.
15. Αφού απενεργοποιήσετε τη συσκευή, περιμένετε τουλάχιστον 5 λεπτά πριν ενεργοποιήσετε ξανά.
16. Μην χρησιμοποιείτε τη συσκευή σε ηλιόλουστες περιοχές. Όταν η συσκευή υπερθερμανθεί, η προστασία υπερθέρμανσης θα ενεργοποιήσει τη συσκευή.
17. Για να εξασφαλιστεί αποτελεσματική ψύξη, πρέπει να διατηρείται απόσταση τουλάχιστον 50 cm μεταξύ των πλευρικών τοιχωμάτων της συσκευής και του τοίχου ή των επίπλων ή κουρτινών.
18. Λόγω της περιορισμένης απόδοσης της συσκευής, εάν η διαφορά μεταξύ της θερμοκρασίας στόχου και της θερμοκρασίας περιβάλλοντος είναι πολύ μεγάλη, η θερμοκρασία στόχος ενδέχεται να μην είναι εφικτή.
19. Για να μειώσετε τον κίνδυνο πυρκαγιάς, ηλεκτροπληξίας ή τραυματισμού κατά τη χρήση του κλιματιστικού, ακολουθήστε τις ακόλουθες βασικές προφυλάξεις:
 - α) Συνδέστε σε μια γειωμένη πρίζα με 3 ακίδες.
 - β) Μην αφαιρείτε το πέλμα γείωσης.
 - γ) Μην χρησιμοποιείτε τον προσαρμογέα.
 - δ) Μην χρησιμοποιείτε καλώδιο προέκτασης.
 - ε) Αποσυνδέστε το κλιματιστικό πριν από τη συντήρηση.
- στ) Χρησιμοποιήστε δύο ή περισσότερα άτομα για να μετακινήσετε και να εγκαταστήσετε το κλιματιστικό.
20. Μην χρησιμοποιείτε παράγοντες που επιταχύνουν τη διαδικασία απόψυξης ή καθαρισμού εκτός από εκείνες που συνιστώνται από τον κατασκευαστή.
21. Η συσκευή πρέπει να αποθηκεύεται σε ένα δωμάτιο χωρίς συνεχή λειτουργία ανάφλεξης, για παράδειγμα: ανοικτή φωτιά, συσκευές αερίου ή ηλεκτρικοί θερμαντήρες.

ΠΡΙΝ ΠΡΩΤΗ ΧΡΗΣΗ

Κατά τη μετακίνηση της συσκευής βεβαιωθείτε ότι βρίσκεται σε όρθια θέση. Πριν χρησιμοποιήσετε το κλιματιστικό διατηρήστε το σε όρθια θέση για τουλάχιστον 2 ώρες.

Περιγραφή συσκευής - ΤΟΠΙΚΟΣ ΚΛΙΜΑΤΙΣΜΟΣ CR7929 - Εικόνα Α

- | | |
|-------------------------------------|---|
| 1. Πίνακας ελέγχου | 2. Έξοδος ψυχρού αέρα |
| 3. Τηλεχειριστήριο (εικόνα Ε) | 4. Λαβή |
| 5. Εισόδους αέρα | 6. Σωλήνας εξαγωγής αέρα |
| 7. Υποδοχή καυσαερίων | 8. Οπή αποστράγγισης με καουτσούκ πώμα (εικόνα F) |
| 9. Προσαρμογέας εξάτμισης παραθύρου | 10. Συνδετήρας σωλήνα εξάτμισης αέρα |
| 11. Πλαίσιο φίλτρου | 12. Φίλτρο νάιλον |

13. Βύσμα αποστράγγισης

Περιγραφή πίνακα ελέγχου - Εικόνα D.

- A. Κουμπί λειτουργίας
- Γ. Πλήκτρο θερμοκρασίας κάτω / χρονοδιακόπτη σε λειτουργία ψύξης
- D. Κουμπί αύξησης θερμοκρασίας / χρονοδιακόπτη σε λειτουργία ψύξης
- E. Κουμπί μοντέλου ύπνου
- F. Κουμπί λειτουργίας ανεμιστήρα
- G. Κουμπί χρονοδιακόπτη
- H. Κουμπί αυτόματης ταλάντωσης αέρα
- I. Οθόνη LED
- Κουμπί J. Cool mode
- Κουμπί αφύγρασης
- L. Κουμπί αργής ταχύτητας ανεμιστήρα
- M. Κουμπί γρήγορης ταχύτητας ανεμιστήρα
- N. Πλήρης ενδεικτική λυχνία νερού

Τηλεχειριστήριο - Εικόνα E

- A. Κουμπί λειτουργίας
- B. Κουμπί επιλογής τρόπου λειτουργίας
- Γ. Κουμπί θερμοκρασίας / χρονοδιακόπτη
- D. Κουμπί θερμοκρασίας / χρονοδιακόπτη
- E. Κουμπί λειτουργίας αναστολής
- F. Κουμπί επιλογής ταχύτητας ανεμιστήρα
- G. Κουμπί χρονοδιακόπτη
- Κουμπί ταλάντωσης αέρα

Χειροκίνητη λειτουργία CONTROL PANEL - εικόνα D

Όταν είναι ενεργοποιημένο για πρώτη φορά, ο βομβητής θα φωνάξει και στη συνέχεια η συσκευή θα τεθεί σε κατάσταση αναμονής.

Πατήστε το κουμπί "A" για να ενεργοποιήσετε και να απενεργοποιήσετε τη συσκευή, ο βομβητής θα αναπαράγει σήμα μία φορά.

ΕΠΙΛΟΓΗ ΛΕΙΤΟΥΡΓΙΑΣ στη χειροκίνητη λειτουργία του πίνακα ελέγχου -

Όταν η συσκευή είναι ενεργοποιημένη, επιλέξτε τη λειτουργία που χρειάζεστε μεταξύ της λειτουργίας ψύξης ή της λειτουργίας ανεμιστήρα ή της λειτουργίας αφύγρασης όπως παρακάτω:

Λειτουργία ψύξης -

- Πατήστε το κουμπί "J" για να επιλέξετε τη λειτουργία ψύξης, στη συνέχεια πατήστε το κουμπί "L" για να λάβετε το κουμπί αργής ταχύτητας ανεμιστήρα ή πατήστε το κουμπί "M" για να λάβετε το κουμπί γρήγορης ταχύτητας ανεμιστήρα. Στη συνέχεια, πατήστε το κουμπί "C" ή "D" για να ρυθμίσετε την απαιτούμενη θερμοκρασία από 16 °C σε 31 °C, τα κουμπιά δεν είναι διαθέσιμα σε λειτουργία ανεμιστήρα ή αφύγρασης.

Λειτουργία ανεμιστήρα -

- Πατήστε το κουμπί "F" για να επιλέξετε τη λειτουργία ανεμιστήρα, η οθόνη LCD θα εμφανίσει "FA", στη συνέχεια πατήστε το κουμπί "L" για να πάρετε το κουμπί αργής ταχύτητας ανεμιστήρα ή πατήστε το κουμπί "M" για να λάβετε το κουμπί γρήγορης ταχύτητας ανεμιστήρα. Κατά τη λειτουργία λειτουργίας ανεμιστήρα δεν είναι δυνατή η ρύθμιση των λειτουργιών θερμοκρασίας και ύπνου.

Λειτουργία αφύγρασης -

- Πατήστε το κουμπί "K" για να επιλέξετε τη λειτουργία αφύγρασης, η οθόνη LCD θα εμφανίσει "dh". Στην κατάσταση αφύγρασης, η κατάσταση αναστολής λειτουργίας δεν μπορεί να ρυθμιστεί και η ταχύτητα ανεμιστήρα ρυθμίζεται αυτόματα σε αργή ταχύτητα ανεμιστήρα και δεν μπορεί να αλλάξει. Για να απενεργοποιήσετε τη λειτουργία αφύγρασης επιλέξτε άλλη λειτουργία: λειτουργία ψύξης ή ανεμιστήρα. Η λειτουργία του βύσματος αποστράγγισης (13) είναι να αποστραγγίζει το νερό συμπύκνωσης από το πάνω μέρος της συσκευής. Η χρήση του καθορίζεται ανάλογα με την τοπική υγρασία του αέρα. Πρέπει να ανοίξετε το πώμα αποστράγγισης (13) και να ρίξετε το νερό συμπυκνώματος εάν η συσκευή λειτουργεί όταν η τοπική υγρασία αέρα είναι υψηλή ή η συσκευή λειτουργεί σε κατάσταση αφύγρασης συνεχώς για 12-24 ώρες συνεχώς. Σε λειτουργία ζήτησης ψύξης (χαμηλή υγρασία αέρα) δεν είναι απαραίτητο να ανοίξετε το πώμα αποστράγγισης (13) επειδή δεν υπάρχει ανάγκη αποστράγγισης του συμπυκνώματος.

Ρύθμιση χρονοδιακόπτη -

- Όταν η συσκευή δεν λειτουργεί, πατήστε το κουμπί "G", η οθόνη LCD αναβοσβήνει, πατήστε το κουμπί "C" ή "D" για να ρυθμίσετε την ποσότητα των ωρών μετά την έναρξη της λειτουργίας της συσκευής. Η οθόνη LCD σταματά να αναβοσβήνει και το εικονίδιο χρονοδιακόπτη θα ανάψει.

- Όταν η συσκευή λειτουργεί, πατήστε το κουμπί "G", η οθόνη LCD αναβοσβήνει, πατήστε το κουμπί "C" ή "D" για να ρυθμίσετε την ποσότητα των ωρών που πρέπει να περάσουν πριν η συσκευή απενεργοποιηθεί αυτόματα. Η οθόνη LCD σταματά να αναβοσβήνει, το εικονίδιο χρονοδιακόπτη θα ανάψει, η οθόνη LCD δείχνει ότι απαιτείται για την επίτευξη θερμοκρασίας. Αυτή είναι μια λειτουργία καθυστέρησης εκκίνησης.

Το εύρος λειτουργίας χρονοδιακόπτη μπορεί να καθορισθεί κάθε μία ώρα από 1 έως 24 ώρες.

Κατάσταση ύπνου -

- Αρχικά Πατήστε το κουμπί "J" στη λειτουργία ψύξης, το επόμενο κουμπί "E" για να ενεργοποιήσετε τη λειτουργία αναστολής λειτουργίας, τότε η συσκευή θα λειτουργεί με εξοικονόμηση ενέργειας και αθόρυβο τύπο.

- Στη συνέχεια πατήστε το κουμπί "C" ή "D" για να ρυθμίσετε την απαιτούμενη θερμοκρασία από 16 °C σε 31 °C.

- Η κατάσταση αναστολής προγραμματίζεται αυτόματα. Μετά την πρώτη ώρα λειτουργίας, η θερμοκρασία θα αυξηθεί κατά 1 °C, μετά τη δεύτερη ώρα λειτουργίας, η θερμοκρασία θα αυξηθεί κατά 1 °C και στη συνέχεια θα παραμείνει στο ίδιο επίπεδο.

- Πατήστε ξανά το κουμπί "E" για να ακυρώσετε τη λειτουργία αναστολής.

ΣΗΜΕΙΩΣΗ: Η κατάσταση αναστολής λειτουργίας δεν είναι διαθέσιμη στις λειτουργίες αφύγρανσης και ανεμιστήρα.

Γεμάτο νερό -

Η ενδεικτική λυχνία πλήρους νερού "N" θα ανάψει και ο βομβητής θα ειδοποιηθεί για αρκετά δευτερόλεπτα, τότε ο συμπιεστής θα σταματήσει να λειτουργεί όταν η δεξαμενή νερού της εσωτερικής συσκευής θα είναι πλήρης.

Αυτόματη λειτουργία ταλάντωσης αέρα -

Πατήστε ένα κουμπί ταλάντωσης αέρα (H), αφού ενεργοποιηθεί η συσκευή, ενεργοποιείται η λειτουργία αυτόματης ταλάντωσης αέρα, η περσίδα περιστρέφεται συνεχώς προς τα αριστερά και προς τα δεξιά. Πατώντας ξανά το κουμπί, η κίνηση θα σταματήσει και η περσίδα θα παραμείνει σε αυτήν τη θέση.

Η ακτίνα της οριζόντιας ταλάντωσης αέρα είναι 30 μοίρες αριστερά και 30 μοίρες δεξιά από τη μέση κατακόρυφη.

Λειτουργία REMOTE CONTROLLER - εικόνα E

Το τηλεχειριστήριο μεταδίδει σήματα στο σύστημα.

Κουμπί "A" - η συσκευή θα ξεκινήσει όταν ενεργοποιηθεί ή θα σταματήσει, εάν πατήσετε ξανά αυτό το κουμπί.

Κουμπί "B" - πατήστε το για να επιλέξετε τρόπο λειτουργίας: λειτουργία ψύξης → λειτουργία ξηρού → λειτουργία ανεμιστήρα.

Κουμπί "C" / "D" - πατήστε για να ρυθμίσετε το χρόνο λειτουργίας από 1 έως 24 ώρες ή την απαιτούμενη θερμοκρασία δωματίου από 15 έως 31 °C όταν είναι ενεργοποιημένη η λειτουργία ψύξης.

Κουμπί "E" - πατήστε το για να ρυθμίσετε ή να ακυρώσετε τη λειτουργία αναστολής.

Κουμπί "F" - πατήστε το για να επιλέξετε την ταχύτητα του ανεμιστήρα στη σειρά: αργή / γρήγορη ταχύτητα ανέμου.

Κουμπί "G" - πατήστε το για ρύθμιση ή ακύρωση χρονοδιακόπτη.

Κουμπί "H" - πατήστε για να ρυθμίσετε ή να ακυρώσετε τη λειτουργία αυτόματης ταλάντωσης αέρα.

ΣΥΣΚΕΥΕΣ ΠΡΟΣΤΑΣΙΑΣ

1. Προστασία συμπιεστή: Τρία λεπτά αργότερα μετά την ενεργοποίηση / επανεκκίνηση, ο συμπιεστής αρχίζει να λειτουργεί.
2. Λειτουργία προστασίας από υπερχείλιση: όταν η ενδεικτική λυχνία πλήρους νερού "N" θα ανάψει και ο βομβητής θα ειδοποιηθεί για αρκετά δευτερόλεπτα, η συσκευή απενεργοποιείται αυτόματα. Σε αυτήν την περίπτωση, πρέπει να αποστραγγίσετε το νερό (αντρέξτε στις οδηγίες βλ. Οδηγίες αποστράγγισης στο τέλος αυτού του κεφαλαίου). Αφού αδειάσει το νερό, η συσκευή θα τεθεί σε κατάσταση αναμονής.
3. Λειτουργία προστασίας παγετού: Σε λειτουργία ψύξης, εάν η θερμοκρασία του αισθητήρα σωλήνα EVA είναι πολύ χαμηλή, η συσκευή θα εισέλθει αυτόματα στην κατάσταση προστασίας. Όταν η θερμοκρασία του αισθητήρα σωλήνα EVA αυξάνεται σε μια συγκεκριμένη θερμοκρασία, μπορεί αυτόματα να επανέλθει στην κανονική λειτουργία.

ΟΔΗΓΙΕΣ ΑΠΟΧΕΤΕΥΣΗΣ:

Αυτή η συσκευή είναι εξοπλισμένη με σύστημα αυτόματης εξάτμισης νερού. Ο κύκλος συμπυκνωμένου νερού θα κρυσώσει τον συμπυκνωτή, ο οποίος όχι μόνο θα βελτιώσει την απόδοση ψύξης, αλλά και θα εξοικονομήσει ενέργεια.

1. Εάν η εσωτερική δεξαμενή νερού είναι γεμάτη, η ενδεικτική λυχνία πλήρους νερού "N" θα ανάψει, η συσκευή θα τεθεί σε κατάσταση αναμονής, κραυγές βομβητή, στάσεις συμπιεστή και όλα τα κουμπιά δεν είναι έγκυρα έως ότου η συσκευή ανακάμψει να είναι κανονική, μετά την αποστράγγιση νερού.
2. Απενεργοποιήστε τη συσκευή.
3. Προετοιμάστε το επίπεδο δοχείο (δεν περιλαμβάνεται στη ρύθμιση) για την αποστράγγιση του νερού. Εντοπίστε το κάτω από την οπή αποστράγγισης (8)
3. Αφαιρέστε το ελαστικό πώμα από την οπή αποστράγγισης (8) - εικόνα F.
4. Κατά την αποστράγγιση, το σώμα μπορεί να γέρνει ελαφρώς προς τα πίσω.
5. Αφού σταματήσει η ροή του νερού, κλείστε το ελαστικό πώμα (8).

6. Επανεκκινήστε τη συσκευή, η συσκευή θα λειτουργεί κανονικά.

ΚΑΘΑΡΙΣΜΟΣ & ΣΥΝΤΗΡΗΣΗ

Καθαρισμός: πριν από τον καθαρισμό και τη συντήρηση, απενεργοποιήστε τη συσκευή και αποσυνδέστε το φις.

α) Καθαρισμός κατοικιών

Καθαρίστε με την επιφάνεια της συσκευής με ένα υγρό μαλακό πανί. Μην χρησιμοποιείτε χημικά, όπως βενζόλιο, αλκοόλ, βενζίνη, διαφωρητικά, η επιφάνεια της συσκευής θα καταστραφεί ή ακόμη και ολόκληρη η συσκευή θα καταστραφεί.

β) Καθαρισμός φίλτρων καθαρού νάιλον

Εάν το φίλτρο νάιλον (12) είναι φραγμένο με σκόνη, τότε η αποτελεσματικότητα της συσκευής μειώνεται, φροντίστε να καθαρίζετε το φίλτρο μία φορά κάθε δύο εβδομάδες.

- Σπρώξτε προς τα κάτω από το εξωτερικό μάνταλο του πλαισίου φίλτρου (11) με τα χέρια και τραβήξτε προς τα έξω για να αφαιρέσετε το πλαίσιο φίλτρου (11).

- Καθαρίστε το άνω και κάτω πλαίσιο φίλτρου (11) αφού αφαιρέσετε και τα δύο φίλτρα νάιλον (12) από το πλαίσιο φίλτρου (11). - εικόνα G.

G. Βάλτε το νάιλον φίλτρο (11) σε ζεστό νερό με ουδέτερο απορρυπαντικό (περίπου 40 °C / 104 °F) και στεγνώστε το στη σκιά μετά το πλύσιμο.

ΑΠΟΘΗΚΕΥΣΗ

Εάν η συσκευή δεν θα χρησιμοποιηθεί για μεγάλο χρονικό διάστημα, κάντε τα εξής:

1. Τραβήξτε το βύσμα αποστράγγισης (8) για να ρέει νερό.
2. Αφήστε τη συσκευή να λειτουργεί σε λειτουργία ανεμιστήρα για 2 ώρες για να στεγνώσει το εσωτερικό της συσκευής.
3. Απενεργοποιήστε τη συσκευή και βγάλτε το βύσμα.
4. Καθαρίστε και στεγνώστε τα φίλτρα και, στη συνέχεια, εγκαταστήστε τα ξανά.
5. Τραβήξτε τον σωλήνα εξάτμισης για ασφαλή φύλαξη.
6. Βάλτε τη συσκευή σε πλαστική σακούλα και τοποθετήστε την σε ξηρό μέρος.
7. Αφαιρέστε τις μπαταρίες του τηλεχειριστηρίου και φυλάξτε τις σωστά.

Αποθηκεύστε τη συσκευή και όλα τα εξαρτήματα της συσκευής σε ξηρό μέρος.

ΑΝΤΙΜΕΤΩΠΙΣΗ ΠΡΟΒΛΗΜΑΤΩΝ

Πρόβλημα I: Ο κλιματισμός δεν λειτουργεί.

Λόγος 1: Δεν υπάρχει ηλεκτρικό ρεύμα. Έτσι, ενεργοποιήστε το αφού το συνδέσετε σε μια πρίζα με ηλεκτρικό ρεύμα.

Λόγος 2: Η ενδεικτική λυχνία πλήρους νερού "N" ανάβει. Αδειάστε λοιπόν το νερό.

Πρόβλημα II: Η συσκευή επανεκκινείται συχνά.

Λόγος 1: Άμεσο ηλιακό φως. Τραβήξτε λοιπόν τις κουρτίνες.

Λόγος 2: Η πόρτα και τα παράθυρα είναι ανοιχτά, πολλές πηγές θερμότητας στο δωμάτιο. Έτσι, κλείστε την πόρτα και τα παράθυρα, απομακρύνετε τις πηγές θερμότητας.

Λόγος 3: Τα φίλτρα είναι πολύ βρώμικα. Έτσι, καθαρίστε ή αντικαταστήστε τα φίλτρα.

Λόγος 4: Η είσοδος αέρα ή η έξοδος αέρα είναι αποκλεισμένη. Λοιπόν, αφαιρέστε την απόφραξη.

Πρόβλημα III: Μεγάλος θόρυβος

Αιτία: Η συσκευή δεν τοποθετείται σε επίπεδη επιφάνεια. Έτσι, τοποθετήστε τη συσκευή σε ένα επίπεδο και σκληρό μέρος για να μειώσετε τον θόρυβο.

Πρόβλημα IV: Ο συμπιεστής δεν λειτουργεί.

Αιτία: Ενεργοποιείται η προστασία χρόνου-καθυπόθησης συμπιεστή. Περιμένετε 3 λεπτά μέχρι να μειωθεί η θερμοκρασία και, στη συνέχεια, κάντε επανεκκίνηση της συσκευής.

Σημείωση: όταν εμφανίζονται ασυνήθιστες καταστάσεις, επικοινωνήστε με την επγγελματική υπηρεσία για βοήθεια.

Μην επισκευάζετε μόνοι σας τη συσκευή. Η μη ειδική επισκευή ακυρώνει την :

ΤΕΧΝΙΚΑ ΔΕΔΟΜΕΝΑ:

Ικανότητα ψύξης σε BTU: 9000 BTU / ώρα

Ικανότητα ψύξης σε watt: 2640W

Κατανάλωση ενέργειας (ψύξη) σε watt: 1010 W

Επίπεδο θορύβου: <= 65dB

Ροή αέρα: 350 m³ / ώρα

Ενεργειακή κλάση: A

Χωρητικότητα στεγνώματος: 24 λίτρα / 24 ώρες

Ψυκτικό μέσο: R290 210 γραμμάρια



Προσοχή, κίνδυνος πυρκαγιάς.

ΜΗΝ τρυπάτε ή κόψετε.

Λάβετε υπόψη ότι το ψυκτικό μπορεί να μην περιέχει οσμή.



We geven om het milieu. We vragen u om de kartonnen verpakkingen te storten bij het oud papier. Polyethyleen zakken (PE) storten in de container voor plastic. Versleten apparatuur afgeven bij het juiste verzamelpunt, als in het apparaat gevaarlijke elementen zitten kan dat een bedreiging zijn voor het milieu. Elektrisch apparaat moet worden geretourneerd om het hergebruik te verminderen. Als in het apparaat batterijen zitten, horen die verwijderd te worden en apart af te worden gegeven bij het juiste verzamelpunt.

ALGEMENE VEILIGHEIDSVoorwaarden
 BELANGRIJKE VEILIGHEIDSinstructies lees aandachtig en bewaar voor
 TOEKOMST

1. Lees voordat u het apparaat gebruikt de handleiding en volg de instructies die erin staan. De fabrikant is niet aansprakelijk voor schade veroorzaakt door het gebruik van het apparaat in strijd met het beoogde doel of onjuist gebruik.
2. Het apparaat is alleen voor thuisgebruik. Niet gebruiken voor andere doeleinden die niet voor het beoogde doel zijn.
3. Het apparaat mag alleen worden aangesloten op een stopcontact met een geaarde 220 240V ~ 50Hz. Om de operationele veiligheid te vergroten, mogen meerdere elektrische apparaten niet tegelijkertijd op één stroomcircuit worden aangesloten.
4. Wees uiterst voorzichtig wanneer u het apparaat gebruikt wanneer kinderen in de buurt zijn. Laat kinderen niet met het apparaat spelen, en laat kinderen of mensen die niet bekend zijn met het apparaat het gebruiken.
5. **WAARSCHUWING:** deze apparatuur kan worden gebruikt door kinderen ouder dan 8 jaar en mensen met beperkte fysieke, sensorische of mentale vaardigheden, of mensen die geen ervaring of kennis van de apparatuur hebben, als dit wordt gedaan onder toezicht van een verantwoordelijke persoon voor hun veiligheid of hebben ze informatie gekregen over het veilige gebruik van het apparaat en zijn zich bewust van de gevaren van het gebruik ervan. Kinderen mogen niet met het apparaat spelen. Reiniging en onderhoud van het apparaat mogen niet door kinderen worden uitgevoerd, tenzij ze ouder zijn dan 8 jaar en deze activiteiten worden uitgevoerd onder toezicht.
6. Trek altijd de stekker uit het stopcontact door het stopcontact na gebruik met uw hand vast te houden. Trek NIET aan het netsnoer.
7. Dompel de kabel, de stekker en het hele apparaat niet onder in water of een andere vloeistof. Stel het apparaat niet bloot aan atmosferische omstandigheden (regen, zon, enz.) Of gebruik het niet in omstandigheden met een hoge luchtvochtigheid (badkamers, vochtige stacaravans).
8. Controleer regelmatig de staat van het netsnoer. Als het netsnoer beschadigd is, moet het worden vervangen door een gespecialiseerde reparatiewerkplaats om gevaar te voorkomen.
9. Gebruik het apparaat niet met een beschadigd netsnoer of als het is gevallen of op een andere manier is beschadigd of als het niet goed werkt. Repareer het apparaat niet zelf, want er bestaat een risico op elektrische schokken. Breng het beschadigde apparaat naar een geschikt servicecentrum voor controle of reparatie. Alle reparaties mogen alleen door geautoriseerde servicepunten worden uitgevoerd. Onjuist uitgevoerde reparaties kunnen ernstig gevaar voor de gebruiker veroorzaken.
10. Plaats het apparaat op een koele, stabiele ondergrond, uit de buurt van hete keukenapparatuur zoals: elektrisch fornuis, gasbrander, enz.
11. Zorg ervoor dat niets de luchtinlaat en -uitlaat van het apparaat blokkeert

12. Gebruik het apparaat alleen op een vlakke ondergrond om te voorkomen dat condensatie naar buiten komt
13. Voor extra bescherming is het raadzaam om een aardlekschakelaar (RCD) in het elektrisch circuit te installeren met een nominale reststroom van niet meer dan 30 mA. Vraag hierom een elektricien.
14. Reinig het luchtfilter regelmatig. De frequentie van schoonmaken hangt af van de reinheid van de lucht.
15. Wacht na het uitschakelen van de machine minstens 5 minuten voordat u hem weer inschakelt.
16. Gebruik het apparaat niet op zonnige plaatsen. Wanneer het apparaat oververhit raakt, schakelt de oververhittingsbeveiliging het apparaat in.
17. Voor een effectieve koeling moet een afstand van minimaal 50 cm worden aangehouden tussen de zijwanden van het apparaat en de muur of meubels of gordijnen.
18. Vanwege de beperkte prestaties van het apparaat wordt de doeltemperatuur mogelijk niet bereikt als het verschil tussen de doeltemperatuur en de omgevingstemperatuur te groot is.
19. Neem de volgende basisvoorzorgsmaatregelen in acht om het risico op brand, elektrische schokken of letsel bij het gebruik van de airconditioner te verminderen:
 - a) Sluit aan op een geaard stopcontact met 3 pinnen.
 - b) Verwijder de aardingspen niet.
 - c) Gebruik de adapter niet.
 - d) Gebruik geen verlengsnoer.
 - e) Koppel de airconditioner los voordat u onderhoud uitvoert.
 - f) Gebruik twee of meer mensen om de airconditioner te verplaatsen en te installeren.
20. Gebruik geen andere middelen dan het door de fabrikant aanbevolen ontstoppings- of reinigingsproces.
21. Het apparaat moet worden opgeslagen in een ruimte zonder constant werkende ontstekingsbronnen, bijvoorbeeld: open vuur, gastoestellen of elektrische kachels.

VOOR HET EERSTE GEBRUIK

Zorg er bij het verplaatsen van het apparaat voor dat het rechtop staat. Houd de airconditioner vóór gebruik minimaal 2 uur rechtop.

Apparaatbeschrijving - LOKALE AIRCONDITIONER CR7929 - Afbeelding A

- | | |
|-------------------------------------|--|
| 1. Bedieningspaneel | 2. Uitlaat voor koude lucht |
| 3. Afstandsbediening (afbeelding E) | 4. Handgreep |
| 5. Luchtinlaten | 6. Luchtuitlaatpijp |
| 7. Uitlaatconnector | 8. Afvoergat met rubberen dop (afbeelding F) |
| 9. Raamuitlaat adapter | 10. Connector van luchtuitlaatpijp |
| 11. Filterframe | 12. Nylon filter |
| 13. Aftapplug | |

Beschrijving van het bedieningspaneel - Afbeelding D.

- A. Aan / uit-knop
- C. Knop Temperatuur omlaag / timer omlaag in koelmodus
- D. Knop temperatuur omhoog / timer omhoog in koelmodus
- E. Slaapmodel knop
- F. Knop ventilatormodus
- G. Timer-knop

- H. Automatische luchtoscilatieknop
- I. LED-scherm
- J. Koelmodusknop
- K. Ontvochtigingsknop
- L. Knop voor lage ventilatorsnelheid
- M. Knop voor snelle ventilatorsnelheid
- N. Indicatielampje water vol
- Afstandsbediening - Afbeelding E
- A. Aan / uit-knop
- B. Modusselectieknop
- C. Knop temperatuur / timer omlaag
- D. Knop temperatuur / timer omhoog
- E. Slaapstandknop
- F. Keuzeknop ventilatorsnelheid
- G. Timer-knop
- H. Luchtoscilatieknop

BEDIENINGSPANEEL handmatige bediening - afbeelding D

Wanneer het voor de eerste keer wordt ingeschakeld, zal de zoemer gaan en gaat het apparaat in de stand-bystatus.

Druk op knop "A" om het apparaat in en uit te schakelen, de zoemer zal één keer het signaal afspelen.

MODUS SELECTIE bij handmatige bediening van het bedieningspaneel -

Wanneer het apparaat is ingeschakeld, kiest u de gewenste modus tussen koelmodus, ventilatormodus of ontvochtigingsmodus, zoals hieronder:

Koelmodus -

- Druk op knop "J" om de koelmodus te selecteren, druk vervolgens op de knop "L" om de knop voor de langzame ventilatorsnelheid te krijgen of druk op de knop "M" om de knop voor de snelle ventilatorsnelheid te krijgen. Druk vervolgens op knop "C" of "D" om de gewenste temperatuur in te stellen van 16 °C tot 31 °C, knoppen zijn niet beschikbaar in de ventilator- of ontvochtigingsmodus.

Ventilator modus -

- Druk op knop "F" om de ventilatormodus te selecteren, het LCD-scherm zal "FA" tonen, druk vervolgens op de knop "L" om de knop voor de langzame ventilatorsnelheid te krijgen of druk op de knop "M" om de knop voor de snelle ventilatorsnelheid te krijgen. Tijdens de werking van de ventilatormodus kunnen de temperatuur- en slaapfuncties niet worden ingesteld.

Ontvochtigingsmodus -

- Druk op knop "K" om de ontvochtigingsmodus te selecteren, het LCD-scherm toont "dh". In de ontvochtigingsmodus kan de slaapmodus niet worden ingesteld en wordt de ventilatorsnelheid automatisch vastgezet op een lage ventilatorsnelheid en kan deze niet worden gewijzigd. Om de ontvochtigingsmodus uit te schakelen, selecteert u een andere bedrijfsmodus: koelen of ventileren. De functie van de aftapplug (13) is om het condenswater uit het bovenste gedeelte van het apparaat af te voeren. Het gebruik ervan wordt bepaald aan de hand van de lokale luchtvochtigheid. Het is nodig om de aftapplug (13) te openen en het condenswater weg te gieten als het apparaat werkt wanneer de plaatselijke luchtvochtigheid hoog is of als het apparaat 12-24 uur ononderbroken in de ontvochtigingsmodus werkt. In de droge koelmodus (lage luchtvochtigheid) is het niet nodig om de aftapplug (13) te openen omdat het condensaat niet hoeft te worden afgevoerd.

Timer instellen -

- Als het apparaat niet werkt, druk op knop "G", het LCD-scherm knippert, druk op de knop "C" of "D" om het aantal uren in te stellen nadat het apparaat zal beginnen te werken. Het LCD-scherm stopt met knipperen en het timerpictogram wordt verlicht.
 - Wanneer het apparaat werkt, druk op knop "G", het LCD-scherm knippert, druk op de knop "C" of "D" om het aantal uren in te stellen dat moet verstrijken voordat het apparaat automatisch wordt uitgeschakeld. Het LCD-scherm stopt met knipperen, het timerpictogram wordt verlicht, het LCD-scherm geeft aan dat nodig is om de temperatuur te bereiken. Dit is een vertraagde startfunctie.
 Het bereik van de timer kan worden ingesteld op elk uur van 1 tot 24 uur.

Slaapstand -

- Druk eerst op knop "J" om te koelen, druk vervolgens op knop "E" om de slaapmodus in te schakelen, daarna werkt het apparaat op het energiebesparende en stille type.
 - Druk vervolgens op knop "C" of "D" om de gewenste temperatuur in te stellen van 16 °C tot 31 °C.
 - De slaapmodus wordt automatisch geprogrammeerd. Na het eerste bedrijfsuur stijgt de temperatuur met 1 °C, na het tweede bedrijfsuur stijgt de temperatuur met nog eens 1 °C en blijft dan op hetzelfde niveau.
 - Druk nogmaals op knop "E" om de slaapmodus te annuleren.

OPMERKING: Slaapmodus is niet beschikbaar in de ontvochtigings- en ventilatormodi.

Water vol -

Het indicatielampje "N" voor vol water gaat branden en de zoemer klinkt gedurende enkele seconden, waarna de compressor stopt met werken wanneer het waterreservoir van het binnenste apparaat vol is.

Automatische luchtoscilatiefunctie -

Druk op een luchtoscilatieknop (H), nadat het apparaat is ingeschakeld, wordt de automatische luchtoscilatiefunctie ingeschakeld, de jaloezie zal continu naar links en rechts zwaaien; door nogmaals op de knop te drukken stopt de beweging en blijft de lamel in die positie. De straal van horizontale luchtoscilatie is 30 graden naar links en 30 graden naar rechts vanaf de middelste verticaal.

AFSTANDBEDIENING - afbeelding E

De afstandsbediening zendt signalen naar het systeem.

Knop "A" - het apparaat wordt gestart wanneer het wordt geactiveerd of wordt gestopt als u nogmaals op deze knop drukt.

Knop "B" - druk erop om de werkingsmodus te selecteren: koelmodus → droogmodus → ventilatormodus.

Knop "C" / "D" - indrukken om de bedrijfstijd in te stellen van 1 tot 24 uur of de gewenste kamertemperatuur van 15 tot 31 ° C wanneer de koelmodus is ingeschakeld.

Knop "E" - druk erop om de slaapmodus in te stellen of te annuleren.

Knop "F" - druk erop om de ventilatorsnelheid in volgorde te selecteren: langzame / snelle windsnelheid.

Knop "G" - druk erop om de timer in te stellen of te annuleren.

Knop "H" - indrukken om de automatische luchtoscilatiefunctie in te stellen of te annuleren.

BESCHERMINGSMIDDELEN

1. Compressorbeveiliging: drie minuten later na het inschakelen / herstarten begint de compressor te draaien.

2. Overloopbeveiligingsfunctie: wanneer het indicatielampje "N" voor vol water gaat branden en de zoemer gedurende enkele seconden alarmeert, wordt het apparaat automatisch uitgeschakeld. In dat geval moet u het water afvoeren (details zie Afvoerinstructies aan het einde van dit hoofdstuk). Nadat het water is geleegd, gaat het apparaat in de stand-bystatus.

3. Vorstbeschermingsfunctie: in koelmodus, als de temperatuur van de EVA-pijpsensor te laag is, gaat het apparaat automatisch naar de beschermingsstatus. Wanneer de temperatuur van de EVA-pijpsensor tot een bepaalde temperatuur stijgt, kan deze automatisch terugkeren naar de normale werking.

AFVOER INSTRUCTIES:

Dit apparaat is uitgerust met een automatisch waterverdampingssysteem. De gecondenseerde watercyclus zal de condensor afkoelen, wat niet alleen de koefficiëntie verbetert, maar ook energie bespaart.

1. Als de binnenste watertank vol is, gaat het indicatielampje "N" voor water vol branden, gaat het apparaat in de stand-bymodus, klinkt de zoemer, stopt de compressor en zijn alle knoppen ongeldig totdat het apparaat weer normaal is geworden, na waterafvoer.

2. Schakel het apparaat uit.

3. Maak een platte bak klaar (niet inbegrepen om in te stellen) om het water af te voeren. Zoek het onder het afvoergat (8)

3. Verwijder de rubberen dop van het afvoergat (8) - afbeelding F.

4. Tijdens het draineren kan het lichaam iets naar achteren worden gekanteld.

5. Sluit de rubberen dop (8) nadat er geen water meer uitkomt.

6. Start het apparaat opnieuw op, het apparaat zal normaal werken.

REINIGING & ONDERHOUD

Reiniging: schakel voor reiniging en onderhoud het apparaat uit en trek de stekker uit het stopcontact.

a) Behuizing schoonmaken

Maak het oppervlak van het apparaat schoon met een natte, zachte doek. Gebruik geen chemicaliën, zoals benzeen, alcohol, benzine, anders raakt het oppervlak van het apparaat beschadigd of wordt zelfs het hele apparaat beschadigd.

b) Reiniging van net nylon filters

Als het nylon filter (12) verstopt is met stof, is de effectiviteit van het apparaat verminderd; zorg ervoor dat u het filter eens in de twee weken reinigt.

- Druk de vergrendeling van het filterframe (11) van buitenaf met de handen naar beneden en trek naar u toe om het filterframe (11) te verwijderen.

- Maak het bovenste en onderste filterframe (11) schoon nadat u beide nylon filters (12) uit het filterframe (11) hebt verwijderd. - afbeelding G.

- Leg het nylon filter (11) in warm water met een neutraal reinigingsmiddel (ongeveer 40 ° C / 104 ° F) en laat het in de schaduw drogen na het schoonspelen.

OPSLAG

Ga als volgt te werk als het apparaat lange tijd niet zal worden gebruikt:

1. Trek de aftaplug (8) eruit om het water weg te laten lopen.

2. Laat het apparaat 2 uur in de ventilatormodus draaien om de binnenkant van het apparaat uit te drogen.

3. Schakel het apparaat uit en trek de stekker uit het stopcontact.

4. Maak de filters schoon en droog, en installeer ze opnieuw.

5. Trek de uitlaatpijp uit om hem veilig te bewaren.

6. doe het apparaat in een plastic zak en plaats het op een droge plaats.

7. Verwijder de batterijen van de afstandsbediening en bewaar ze goed.

Bewaar het apparaat en alle apparaatcomponenten op een droge plaats.

PROBLEEMOPLOSSEN

Probleem I.: De airconditioning werkt niet.

Reden 1: Er is geen elektriciteit. Schakel het dus in nadat u het op een stopcontact met elektriciteit hebt aangesloten.

Reden 2: Het indicatielampje "N" voor vol water brandt. Dus laat het water weglopen.

Probleem II.: Het apparaat werkt regelmatig automatisch opnieuw opgestart.

Reden1: Direct zonlicht. Dus de gordijnen dicht.

Reden 2: Deur en ramen staan open, veel warmtebronnen in de kamer. Dus sluit de deur en ramen, verwijder warmtebronnen.

Reden 3: Filters zijn te vuil. Dus filters schoonmaken of vervangen.

Reden 4: Luchtinlaat of luchtuitlaat is geblokkeerd. Dus verwijder blokkering.

Probleem III.: veel lawaai

Reden: het apparaat staat niet op een vlakke ondergrond. Plaats het apparaat dus op een vlakke en harde plaats om ruis te verminderen.

Probleem IV.: Compressor werkt niet.

Reden: Tijdsvertragsbeveiliging van de compressor is ingeschakeld. Wacht dus 3 minuten totdat de temperatuur is verlaagd en start het apparaat vervolgens opnieuw op.

Opmerking: als zich abnormale situaties voordoen, schakel het apparaat dan uit en trek de stekker uit het stopcontact, en neem vervolgens contact op met de professionele service voor hulp.

Repareer het apparaat niet zelf. Bij niet-gekwalificeerde reparatie vervalt de garantie.

TECHNISCHE DATA:

Koelcapaciteit bij BTU: 9000 BTU / uur

Koelvermogen in watt: 2640W

Energieverbruik (koelen) in watt: 1010 W

Geluidsniveau: <= 65dB

Luchtstroom: 350 m3 / uur

Energieklasse: A

Droogcapaciteit: 24 liter / 24 uur

Koelmiddel: R290 210 gram



Let op, brandgevaar.

NIET doorboren of verbranden.

Houd er rekening mee dat het koelmiddel mogelijk geen geur bevat.



We geven om het milieu. We vragen u om de kartonnen verpakkingen te storten bij het oud papier. Polyethyleen zakken (PE) storten in de container voor plastic. Versleten apparatuur afgeven bij het juiste verzamelpunt, als in het apparaat gevaarlijke elementen zitten kan dat een bedreiging zijn voor het milieu. Elektrisch apparatuur moet worden geretourneerd om het hergebruik te verminderen. Als in het apparaat batterijen zitten, horen die verwijderd te worden en apart af te worden gegeven bij het juiste verzamelpunt.

СРПСКИ

ОПШТИ УСЛОВИ СИГУРНОСТИ

ВАЖНЕ БЕЗБЕДНОСНЕ УПУТЕ ПРОЧИТАЈТЕ УПОЗОРЕЊЕ И УШТЕДИТЕ БУДУЋНОСТ

1. Пре употребе уређаја, прочитајте упутство за употребу и следите упутства која се налазе у њему. Произвођач није одговоран за штету насталу употребом уређаја супротно његовој предвиђеној намени или неправилном раду.
2. Уређај је намењен само за кућну употребу. Не употребљавајте у друге сврхе које нису предвиђене.
3. Уређај треба да буде повезан на наизменичну струју са уземљеним 220 240V ~ 50Хз. Да би се повећала оперативна сигурност, више електричних уређаја не би требало истовремено да буде повезано на један струјни круг.
4. Будите изузетно опрезни када користите уређај када су деца у близини. Не дозволите деци да се играју са уређајем, не дозволите деци или особама које нису упознате са уређајем да га користе.
5. УПОЗОРЕЊЕ: Ову опрему могу користити деца старија од 8 година и особе ограничене физичке, сензорне или менталне способности, или људи који немају искуства или знање о опреми, ако се то ради под надзором одговорне особе ради њихове сигурности или су им одобрени подаци о сигурној употреби уређаја и свесни

су опасности употребе уређаја. Деца се не смеју играти са опремом. Чишћење и одржавање уређаја не би требало да раде деца, осим ако су старија од 8 година и ове активности се изводе под надзором.

6. Увек искључите утикач држећи утичницу руком након употребе. НЕ повлачите кабл за напајање.

7. Не урањајте кабл, утикач и цео уређај у воду или било коју другу течност. Не излажите уређај атмосферским условима (киша, сунце итд.) И не користите у условима високе влажности (купатила, влажне мобилне кућице).

8. Повремено проверите стање кабла за напајање. Ако је кабл за напајање оштећен, замените га у специјалном сервису да бисте избегли опасност.

9. Не користите уређај са оштећеним каблом за напајање или ако је пао или оштећен на било који други начин или ако не ради исправно. Не поправљајте уређај сами јер постоји опасност од електричног удара. Оштећени уређај однесите у одговарајући сервисни центар ради провере или поправке. Све поправке смеју обављати само овлашћени сервиси. Неправилно извршени поправки могу озбиљно опасити за корисника.

10. Уређај поставите на хладну и стабилну површину, даље од врућих кухињских уређаја као што су: електрични шпорет, плински горионик итд.

11. Пазите да ништа не блокира довод и излаз ваздуха уређаја

12. Користите уређај само на равној површини како бисте спречили да се кондензат пролије

13. Да бисте обезбедили додатну заштиту, препоручљиво је да у електрични круг инсталирате уређај за заосталу струју (РЦД) са називно заосталом струјом која не прелази 30mA. Питајте за то електричара.

14. Редовно чистите ваздушни филтер. Учесталост чишћења зависи од чистоће ваздуха.

15. Након што искључите машину, сачекајте најмање 5 минута пре него што је поново укључите.

16. Не користите уређај на сунчаним местима. Када се уређај прегреје, укључиће се заштита од прегревања.

17. Да би се осигурало ефикасно хлађење, између бочних зидова уређаја и зида или намештаја или завеса треба да се задржи најмање 60 цм.

18. Због ограничених перформанси уређаја, ако је разлика између циљне температуре и температуре околине превелика, циљна температура можда неће бити достигнута.

19. Да бисте смањили ризик од пожара, струјног удара или повреда приликом коришћења клима уређаја, придржавајте се следећих основних мера предострожности:

а) Спојите на уземљену утичницу са 3 пина.

б) Не уклањајте уземљење.

ц) Не користите адаптер.

д) Не користите продужни кабел.

е) Искључите клима уређај прије сервисирања.

ф) Користите две или више особа за померање и инсталирање клима уређаја.

20. Не користите средства која убрзавају процес одмрзавања или чишћења другачија од оних које препоручује произвођач.

21. Уређај треба складиштити у просторији без стално делујућих извора паљења, на пример: отворена ватра, гасни уређаји или електрични грејачи.

ПРЕ ПРИМЕНЕ

Приликом померања уређаја проверите да ли је у исправном положају. Пре употребе клима уређаја држите га исправно најмање 2 сата.

Опис уређаја - ЛОЦАЛ ЦОНДИЦИОНЕР CR7929 - Слика А

- | | |
|---------------------------------|---|
| 1. Управљачка плоча | 2. Одвод хладног ваздуха |
| 3. Даљински управљач (слика Е) | 4. Ручка |
| 5. Отвори за ваздух | 6. Издувна цев за ваздух |
| 7. Прикључак за испушне системе | 8. Отвор за испуштање гуменим поклопцем (слика Ф) |
| 9. Прозрачни адаптер | 10. Прикључак издувне цеви |
| 11. Оквир филтера | 12. Најлонски филтер |
| 13. Драин плуг | |

Опис контролне табле - Слика Д.

- А. Дугме за напајање
- Ц. Тастер за спуштање / искључивање температуре у режиму хлађења
- Д. Дугме за подешавање температуре / одбројавање времена у режиму хлађења
- Е. Дугме модела спавања
- Ф. Дугме за режим вентилатора
- Г. Дугме тајмера
- Х. Тастер за аутоматско осцилацију ваздуха
- И. ЛЕД екран
- Ј. Дугме хладног режима
- К. Дугме за одвлаживање
- Л. Дугме за брзину вентилатора
- М. Тастер за брзу брзину вентилатора
- Н. Индикатор пуне воде

Даљински управљач - Слика Е

- А. Дугме за напајање
- Б. Дугме за избор начина рада
- Ц. Тастер за температуру / одбројавање времена
- Д. Дугме за температуру / одбројавање времена
- Е. Дугме за спавање
- Ф. Дугме за избор брзине вентилатора
- Г. Дугме тајмера
- Х. Дугме за осцилацију ваздуха

УПРАВЉАЊЕ ПАНЕЛОМ ручни рад - слика Д

Када се уређај први пут укључи, звучни сигнал ће викати и уређај ће прећи у стање приправности.

Притисните тастер „А“ да бисте укључили и искључили уређај, звучни сигнал ће једном репродуковати сигнал.

ИЗБОР НАЧИНА за ручни рад контролне табле -

Кад је уређај укључен, изаберите режим који вам је потребан између режима хлађења или режима вентилатора или режима одвлаживања ваздуха као што је доле:

Режим хлађења -

- Притисните дугме „Ј“ да бисте изабрали режим хлађења, затим притисните дугме „Л“ да бисте добили дугме за брзу брзину вентилатора или притисните тастер „М“ да бисте добили дугме за брзину брзине вентилатора. Следећи притисак дугмета „Ц“ или „Д“ за подешавање потребне температуре од 16 °C до 31 °C, тастери нису доступни у режиму вентилатора или

одвлаживања.

Режим вентилатора -

- Притисните дугме „Ф“ да бисте изабрали режим вентилатора, ЛЦД екран ће показати „ФА“, затим притисните дугме „Л“ да бисте добили дугме за брзу брзину вентилатора или притисните тастер „М“ да бисте добили дугме за брзину вентилатора. За време рада вентилатора, функције температуре и мировања не могу се подесити.

Начин одвлаживања влаге -

- Притисните дугме „К“ да бисте изабрали режим одвлаживања, ЛЦД екран ће показати „дх“. У режиму одвлаживања не може се подесити режим спавања, а брзина вентилатора се аутоматски подешава на спорој брзини вентилатора и не може се мењати. Да бисте искључили режим одвлаживања, одаберите други режим рада: хлађење или режим вентилатора. Функција одводног чепа (13) је испуштање воде из кондензата из горњег дијела уређаја. Његова употреба се одређује према локалној влажности ваздуха. Потребно је отворити одводни чеп (13) и излити кондензовану воду ако уређај ради када је локална влажност ваздуха висока или уређај непрекидно ради у режиму одвлаживања 12-24 сата. У режиму сувог хлађења (ниска влажност ваздуха) није потребно отварати одводни чеп (13) јер нема потребе за испуштањем кондензата.

Подешавање тајмера -

- Када уређај не ради, притисните тастер „Г“, ЛЦД екран трепери, притисните дугме „Ц“ или „Д“ да бисте подесили количину сати након што ће уређај почети да ради. ЛЦД екран престаје да трепће и светлиће икона тајмера.
- Када уређај ради, притисните тастер „Г“, ЛЦД екран трепери, притисните дугме „Ц“ или „Д“ да бисте подесили количину сати која треба да прође пре него што се уређај аутоматски искључи. ЛЦД екран престаје да трепери, икона тајмера ће бити осветљена, а ЛЦД екран ће бити потребан за постизање температуре. Ово је функција одгођеног старта.
Опсег рада тајмера може се утврдити на сваких сат времена од 1 до 24 сата.

Слеп моде -

- Прво притисните тастер „Ј“ за режим хлађења, затим притисните дугме „Е“ да бисте укључили стање мировања, а затим ће уређај радити на уштеду енергије и тихи тип.
- Затим притисните тастер „Ц“ или „Д“ да подесите потребну температуру од 16 °C до 31 °C.
- Начин мировања аутоматски се програмира. Након првог сата рада температура ће се повећати за 1 °C, након другог сата рада температура ће порастати за још 1 °C, а затим ће остати на истом нивоу.
- Поново притисните дугме „Е“ да бисте отказали режим спавања.
НАПОМЕНА: Начин мировања није доступан у режимима одвлаживања ваздуха и вентилатора.

Вода пуна -

Индикаторска лампица пуна воде „Н“ светлиће и звучни сигнал ће се алармирати неколико секунди, а затим ће компресор престати да ради када се унутрашњи резервоар воде напуни.

Аутоматска функција осцилације ваздуха -

Притисните дугме за осцилацију ваздуха (X), након што се уређај укључи, активира се функција аутоматске осцилације ваздуха, отвор ће се непрекидно њихати лево и десно; поновним притиском на дугме кретање ће се зауставити и поклопац остаје у том положају.
Полумјер хоризонталне осцилације ваздуха је 30 степени лево и 30 степени десно од средње вертикале.

Операција ДАЉИНСКОГ УПРАВЉАЧА - слика Е

Даљински регулатор шаље сигнале систему.

Дугме „А“ - уређај ће се покренути када се укључи или заустави ако поново притиснете ово дугме.

Дугме „Б“ - притисните га да бисте изабрали режим рада: хладни режим → суви режим → режим вентилатора.

Дугме „Ц“ / „Д“ - притисните да подесите време рада од 1 до 24 сата или потребну собну температуру од 15 до 31 °C када је укључен режим хлађења.

Дугме „Е“ - притисните га да бисте подесили или отказали режим спавања.

Дугме „Ф“ - притисните да бисте одабрали брзину вентилатора у редоследу: мала / брза брзина ветра.

Дугме „Г“ - притисните га да бисте подесили или отказали тајмер.

Тастер „Х“ - притисните за подешавање или отказивање функције аутоматске осцилације ваздуха.

УРЕЂАЈИ ЗА ЗАШТИТУ

1. Заштита компресора: Три минуте касније након укључивања / поновног покретања, компресор почиње да ради.

2. Функција заштите од преливања: када ће се лампица пуне воде „Н“ упалити и зујалица ће алармирати неколико секунди, уређај ће се аутоматски искључити. У том случају требате исушити воду (деталје погледајте Упутство за дренажу на крају овог поглавља). Након што се вода испразни, уређај ће прећи у стање приправности.

3. Функција заштите од смрзавања: У режиму хлађења, ако је температура сензора цеви ЕВА прениска, уређај ће аутоматски ући у статус заштите. Када се температура сензора цеви ЕВА повиси на одређену температуру, он се аутоматски враћа у нормалан рад.

ИНСТРУКЦИЈЕ ОДРЖАВАЊА:

Овај уређај је опремљен системом аутоматског испаравања воде. Кондензовани водни циклус хлади кондензатор, што не само да побољшава ефикасност хлађења, већ и штеди енергију.

1. Ако је унутрашњи резервоар за воду напуњен, лампица пуне воде „Н“ светли, уређај улази у стање приправности, зујање виче, компресор се зауставља и сви тастери нису ваљани све док уређај не дође у нормалу, након дренаже воде.
2. Угасите уређај.
3. Припремите раван контејнер (није укључен у постављање) за дренажу воде. Пронађите га испод отвора за одвод (8)
3. Скините гумену капицу из отвора за одвод (8) - слика Ф.
4. За време дренаже тело се може нагињати мало уназад.
5. Након што вода престане да се излива, затворите гумену капу (8).
6. Поново покрените уређај, уређај ће радити нормално.

ЧИШЋЕЊЕ И ОДРЖАВАЊЕ

Чишћење: пре чишћења и одржавања, искључите уређај и ископчајте утикач.

а) Чишћење кућишта

Очистите површину уређаја влажном меком крпом. Не користите хемикалије, попут бензена, алкохола, бензина, у супротном ће се површина уређаја оштетити или чак цео уређај бити оштећен.

б) Чишћење најлонских филтера

Ако је најлонски филтер (12) зачепљен прашином, тада је ефикасност уређаја смањена, обавезно очистите филтер једном у две недеље.

- Рукама притегните ван кваке оквира филтра (11) и извучите према себи да уклоните оквир филтра (11).

- Очистите оквир горњег и доњег филтра (11) након што уклоните оба најлонска филтра (12) са оквира филтера (11). - слика Г.

- Ставите најлонски филтер (11) у топлу воду са неутралним детерџентом (око 40 °C / 104 °F) и осушите га у хладу након што сте га испрали чистим.

СКЛАДИШТЕ

Ако се уређај неће дуго користити, учините следеће:

1. Извучите чеп за одвод (8) да бисте испуштали воду.
2. Нека уређај ради под режимом вентилатора 2 сата како би се осушио унутрашњост уређаја.
3. Искључите уређај и извучите утикач.
4. Очистите и осушите филтере, а затим их поново инсталирајте.
5. Извучите издувну цев за сигурно држање.
6. Ставите уређај у пластичну кесицу и ставите је на суво место.
7. Уклоните батерије даљинског управљача и правилно их држите.

Чувајте уређај и све компоненте уређаја на сувом месту.

РЕШАВАЊЕ ПРОБЛЕМА

Проблем И.: Клима не ради.

Разлог 1: Нема струје. Дакле, укључите га након што га прикључите у утичницу са струјом.

Разлог 2: Светли индикаторска лампица пуне воде „Н“. Дакле, испустите воду.

Проблем ИИ: Уређај се често аутоматски поново покреће.

Разлог1: Директна сунчева светлост. Дакле, нацртали су завесе.

Разлог 2: Врата и прозори су отворени, многи извори топлоте у соби. Дакле, затворите врата и прозоре, премјестите изворе топлоте.

Разлог 3: Филтери су превише прљави. Дакле, очистите или замените филтере.

Разлог 4: Улаз или излаз зрака је блокиран. Дакле, уклоните блокаду.

ИИИ проблем: Велики шум

Разлог: Уређај није постављен на равну површину. Дакле, ставите уређај на равно и тврдо место да бисте смањили буку.

Проблем ИВ.: Компресор не ради.

Разлог: укључује се заштита од временског кашњења компресора. Дакле, сачекајте 3 минута док се температура не спусти, а затим поново покрените уређај.

Напомена: када дође до ненормалних ситуација, искључите уређај и извучите утикач, а потом се обратите стручној служби за помоћ.

Не поправљајте уређај сами. Неквалификовано поправљање поништава гаранцију.

ТЕХНИЧКИ ПОДАЦИ:

Капацитет хлађења на БТУ: 9000 БТУ / сат

Капацитет хлађења у ватима: 2640В

Потрошња енергије (хлађење) у ватима: 1010 В

Ниво буке: <= 65дБ

Проток ваздуха: 350 м3 / сат

Енергетски разред: А

Капацитет сушења: 24 литара / 24 сата

Раскладно средство: Р290 210 грама



Опрез, опасност од пожара

НЕ бушите и не палите.

Имајте на уму да раскладно средство можда не садржи мирис.



За заштиту животне средине: молимо вас да одвојите картонске кутије и пластичне кесе и одложите их у одговарајуће канте за смеће. Коришћени уређај треба да буде испоручен на наменске сакупљане тачке због оштрих компоненти, што може утицати на животну средину. Немојте одлагати овај уређај у заједничку корпу за отпатке.

SVENSKA

ALLMANNA SÄKERHETSVILLKOR

VIKTIGA SÄKERHETSINSTRUKTIONER LÄS NU OCH SPARA FÖR FRAMTID

1. Läs bruksanvisningen innan du använder enheten och följ instruktionerna i den. Tillverkaren ansvarar inte för skador orsakade av att använda enheten i strid med dess avsedda syfte eller felaktig användning.
2. Enheten är endast avsedd för hemmabruk. Använd inte för andra ändamål som inte är avsedda för det.
3. Enheten ska endast anslutas till ett vägguttag med ett jordat 220 240V ~ 50Hz. För att öka driftsäkerheten bör flera elektriska enheter inte anslutas till en strömkrets samtidigt.
4. Var försiktig när du använder enheten när barn är i närheten. Låt inte barn leka med enheten, låt inte barn eller personer som inte känner till enheten använda den.
5. **VARNING:** Denna utrustning får användas av barn över 8 år och personer med begränsad fysisk, sensorisk eller mental förmåga, eller personer som inte har erfarenhet eller kunskap om utrustningen, om detta görs under övervakning av en ansvarig person för deras säkerhet eller har fått dem information om säker användning av enheten och är medvetna om farorna med att använda den. Barn ska inte leka med utrustningen. Rengöring och underhåll av enheten bör inte utföras av barn, såvida de inte är över 8 år gamla och dessa aktiviteter utförs under övervakning.
6. Koppla alltid ur nätkontakten genom att hålla uttaget med handen efter användning. Dra inte i nätsladden.
7. Sänk inte ned kablern, kontakten och hela enheten i vatten eller någon annan vätska. Utsätt inte enheten för atmosfäriska förhållanden (regn, sol, etc.) eller användning vid förhållanden med hög luftfuktighet (badrum, fuktiga husbilar).
8. Kontrollera regelbundet nätkabelns tillstånd. Om nätsladden är skadad bör den bytas ut av en specialistverkstad för att undvika fara.
9. Använd inte apparaten med en skadad nätsladd eller om den har tappats eller skadats på något annat sätt eller om den inte fungerar korrekt. Reparera inte enheten själv eftersom det finns risk för elektrisk stöt. Ta den skadade enheten till ett lämpligt servicecenter för kontroll eller reparation. Alla reparationer får endast utföras av auktoriserade servicepunkter. Felaktigt utförda reparationer kan orsaka allvarig fara för användaren.
10. Placera enheten på en sval, stabil yta, borta från heta köksapparater som: elektrisk spis, gasbrännare, etc.
11. Se till att ingenting blockerar luftinloppet och utloppet på enheten
12. Använd enheten endast på en jämn yta för att förhindra att kondensen spinner ut
13. För att ge ytterligare skydd rekommenderas det att installera en restströmsenhet (RCD) i den elektriska kretsen med en nominell restström som inte överstiger 30 mA. Fråga en elektriker för detta.

14. Rengör luftfiltret regelbundet. Rengöringsfrekvensen beror på luftens renhet.
15. När du har stängt av maskinen, vänta minst 5 minuter innan du slår på den igen.
16. Använd inte enheten på soliga platser. När enheten överhettas tänds överhettningsskyddet på enheten.
17. För att säkerställa effektiv kylning bör ett avstånd på minst 50 cm hållas mellan enhetens sidoväggar och väggen eller möbler eller gardiner.
18. På grund av anordningens begränsade prestanda, om skillnaden mellan måltemperaturen och omgivningstemperaturen är stor, kanske måltemperaturen inte uppnås.
19. Följ följande grundläggande försiktighetsåtgärder för att minska risken för brand, elektrisk stöt eller personskador vid användning av luftkonditioneringsapparaten:
 - a) Anslut till ett jordat uttag med 3 stift.
 - b) Ta inte bort jordningsspetsen.
 - c) Använd inte adaptern.
 - d) Använd inte en förlängningssladd.
 - e) Koppla bort luftkonditioneringsapparaten innan service.
 - f) Använd två eller flera personer för att flytta och installera luftkonditioneringsapparaten.
20. Använd inte andra medel som påskyndar avfrostnings- eller rengöringsprocessen än de som rekommenderas av tillverkaren.
21. Enheten ska förvaras i ett rum utan att ständigt använda antändningskällor, till exempel: öppen eld, gasapparater eller elektriska värmare.

FÖR FÖRSTAANVÄNDNING

Se till att den är i upprätt läge när du flyttar enheten. Håll den upprätt i minst två timmar innan du använder luftkonditioneringsapparaten.

Enhetsbeskrivning - LOCAL AIR CONDITIONER CR7929 - Bild A

- | | |
|---------------------------|--|
| 1. Kontrollpanel | 2. Utlopp för kall luft |
| 3. Fjärrkontroll (bild E) | 4. Handtag |
| 5. Luftinlopp | 6. Luftutloppsror |
| 7. Avgasanslutning | 8. Tappa hålet med gummikåpan (bild F) |
| 9. Fönsteravgasadapter | 10. Anslutning till luftavgasröret |
| 11. Filterns ram | 12. Nylonfilter |
| 13. Töm pluggen | |

Beskrivning av kontrollpanelen - Bild D.

- A. Strömknapp
- C. Temperatur ned / timer ned-knapp i kyläge
- D. Temperatur upp / timer upp-knapp i kyläge
- E. Knapp för sömnmodell
- F. Fläktläge-knapp
- G. Timer-knapp
- H. Automatisk luftsvängningsknapp
- I. LED-skärm
- J. Knappläge
- K. Avfuktningknapp
- L. Långsam fläkthastighetsknapp
- M. Snabb fläkthastighetsknapp
- N. Vattentemperaturindikator

Fjärrkontroll - Bild E

- A. Strömknapp
- B. Lägesvalsknapp
- C. Temperatur / timer ned-knapp

- D. Temperatur / timer upp-knapp
- E. Knapp för viloläge
- F. Val av knapp för fläkthastighet
- G. Timer-knapp
- H. Luftoscillationsknapp

CONTROL PANEL manuell drift - bild D

När den slås på första gången ropar summern och sedan kommer enheten i vänteläge.

Tryck på knappen "A" för att slå på och stänga av enheten, summern kommer att spela signal en gång.

LÄGEVAL på manuell manövrering av kontrollpanelen -

När enheten är på, välj det läge du behöver mellan kyläge eller fläktläge eller avfuktningläge enligt nedan:

Kylläge -

- Tryck på knappen "J" för att välja kyläge, tryck sedan på knappen "L" för att få långsam fläkthastighetsknapp eller tryck på knappen "M" för att få snabb fläkthastighetsknapp. Tryck sedan på knappen "C" eller "D" för att justera önskad temperatur från 16 °C till 31 °C, knapparna är inte tillgängliga i fläkt eller avfuktningläge.

Fläktläge -

- Tryck på knappen "F" för att välja fläktläge, LCD-skärmen visar "FA", tryck sedan på knappen "L" för att få långsam fläkthastighetsknapp eller tryck på knappen "M" för att få snabb fläkthastighetsknapp. Under drift av fläktläge kan inte temperaturen och sovfunktionerna ställas in.

Avfuktningläge -

- Tryck på knappen "K" för att välja avfuktningläge, LCD-skärmen visar "dh". Under avfuktningläge kan sömnläget inte ställas in, och fläkthastigheten fixeras automatiskt på långsam fläkthastighet och kan inte ändras. För att stänga av avfuktningläget väljer du annat driftsläge: kylning eller fläktläge. Avloppspluggens (13) funktion är att tömma kondensvattnet från enhetens övre del. Dess användning bestäms utifrån den lokala luftfuktigheten. Det är nödvändigt att öppna avtappningspluggen (13) och hålla ut kondensvattnet om enheten fungerar när lokal luftfuktighet är hög eller om enheten arbetar i avfuktningläge kontinuerligt i 12-24 timmar kontinuerligt. I torrkylningsläge (låg luftfuktighet) är det inte nödvändigt att öppna avtappningspluggen (13) eftersom kondensatet inte behöver tömmas.

Timerinställning -

- När enheten inte fungerar, tryck på knappen "G", LCD-skärmen blinkar, tryck på knappen "C" eller "D" för att ställa in antalet timmar efter att enheten börjar fungera. LCD-skärmen slutar blinka och timerikonen tänds.

- När enheten fungerar, tryck på knappen "G", LCD-skärmen blinkar, tryck på "C" eller "D" för att ställa in hur många timmar som ska gå innan enheten stängs av automatiskt. LCD-skärmen slutar blinka, timerikonen tänds, LCD-skärmen visar krävs för att uppnå temperatur. Detta är en fördröjd startfunktion.

Timerens driftsområde kan fastställas med en timme från 1 till 24 timmar.

Viloläge -

- Tryck först på knappen "J" till kyläge, nästa tryck på knappen "E" för att slå på viloläget, då fungerar enheten på energisparande och tyst typ.

- Tryck sedan på knappen "C" eller "D" för att justera önskad temperatur från 16 °C till 31 °C.

- Viloläget programmeras automatiskt. Efter den första driftstimmen kommer temperaturen att öka med 1 °C, efter den andra driftstimmen kommer temperaturen att öka med ytterligare 1 °C och förblir sedan på samma nivå.

- Tryck på knappen "E" igen för att avbryta viloläget.

OBS! Viloläge är inte tillgängligt i avfuktningläge och fläktlägen.

Vatten fullt -

Den fullständiga vattenlampan "N" tänds och summern larmar i flera sekunder, sedan kommer kompressorn att sluta fungera när den inre enhetens vattentank är full.

Automatisk luftoscillationsfunktion -

Tryck på en luftoscillationsknapp (H), när enheten slås på, automatisk luftoscillationsfunktion slås på, spetsen svänger kontinuerligt åt vänster och höger; genom att trycka på knappen igen kommer rörelsen att stanna och spetsen förblir i det läget.

Radien för horisontell luftsvingning är 30 grader vänster och 30 grader höger riktning från mitt vertikalt.

REMOTE CONTROLLER-funktion - bild E

Fjärrkontrollen sänder signaler till systemet.

Knapp "A" - enheten startas när den är aktiverad eller stoppas om du trycker på den här knappen igen.

Knapp "B" - tryck på den för att välja driftläge: kyläge → torrläge → fläktläge.

Knapp "C" / "D" - tryck för att ställa in driftstiden från 1 till 24 timmar eller önskad rumstemperatur från 15 till 31 ° C när kylslaget är på.

Knapp "E" - tryck på den för att ställa in eller avbryta viloläge.

Knapp "F" - tryck på den för att välja fläkthastighet i sekvens: långsam / snabb vindhastighet.

Knapp "G" - tryck på den för att ställa in eller avbryta timern.

Knapp "H" - tryck för att ställa in eller avbryta automatisk luftoscillationsfunktion.

SKYDDSANORDNINGAR

1. Kompressorskydd: Tre minuter senare efter att strömmen har startats / startat om börjar kompressorn gå.

2. Överflödesskyddsfunktion: när den fullständiga indikatorlampan "N" tänds och summern larmar i flera sekunder stängs enheten av automatiskt. I det här fallet måste du dränera vattnet (detaljer se dräneringsinstruktioner i slutet av detta kapitel). När vattnet har tömts kommer enheten i vänteläge.

3. Frostskyddsfunktion: I kylslaget, om temperaturen på EVA-rörsensorn är för låg, kommer enheten automatiskt in i skyddsstatus. När temperaturen på EVA-rörsensorn stiger till en viss temperatur kan den automatiskt återgå till normal drift.

Dräneringsinstruktioner:

Den här enheten är utrustad med automatisk vattenförångande system. Kondensvattencykel kylv kondensorn, vilket inte bara förbättrar kyleffektiviteten utan också sparar energi.

1. Om den inre vattentanken är full lyser den fulla vattenlampan "N", enheten går i vänteläge, summeren ropar, kompressorn stannar och alla knappar är ogiltiga tills enheten återhämtar sig att vara normal, efter vattendränering.

2. Stäng av enheten.

3. Förbered den plana behållaren (ingår inte i inställningen) för att tappa vattnet. Leta reda på det under dräneringshålet (8)

3. Ta bort gummikåpan från dräneringshålet (8) - bild F.

4. Under dränering kan kroppen lutas något bakåt.

5. När vattnet slutar att hälla ut, stäng gummilocket (8).

6. Starta om enheten, enheten körs normalt.

RENGÖRING & UNDERHÅLL

Rengöring: Stäng av enheten och koppla ur kontakten innan rengöring och underhåll.

a) Städning av bostäder

Rengör med enhetens yta med en våt mjuk trasa. Använd inte kemikalier som bensen, alkohol, bensin, annars kommer enhetens yta att skadas eller till och med att hela enheten skadas.

b) Rengöring av nylonfilter

Om nylonfiltret (12) är tilltäppt med damm minskas enhetens effektivitet. Se till att rengöra filtret en gång varannan vecka.

- Tvinga ner från utsidan av filterramen (11) med händerna och dra ut till dig själv för att ta bort filterramen (11).

- Rengör den övre och nedre filterramen (11) efter att båda nylonfilterna (12) har tagits bort från filterramen (11). - bild G.

- Sätt nylonfiltret (11) i varmt vatten med neutralt tvättmedel (cirka 40 °C / 104 °F) och torka det i skuggan efter att du har sköljt det rena.

LAGRING

Om enheten kommer att vara oanvänd under lång tid, gör så här:

1. Dra ut dräneringskontakten (8) för att rinna ut vatten.

2. Låt enheten köras under fläktläge i 2 timmar för att torka ut enhetens inre.

3. Stäng av enheten och dra ut kontakten.

4. Rengör och torka filter och installera sedan om dem.

5. Dra ut avgasröret för säker förvaring.

6. Sätt enheten i plastpåse och placera den på en torr plats.

7. Ta bort fjärrkontrollens batterier och förvara dem ordentligt.

Förvara enheten och alla enhetskomponenter på torr plats.

FELSÖKNING

Problem I.: Luftkonditioneringen fungerar inte.

Orsak 1: Det finns ingen el. Så slå på den när du har avslutat den till ett eluttag.

Orsak 2: Vattentillståndslampan "N" tänds. Så släpp ut vattnet.

Problem II: Enheten startar om automatiskt om ofta.

Anledning 1: Direkt solljus. Så ritade gardinerna.

Orsak 2: Dörrar och fönster är öppna, många värmekällor i rummet. Så stäng dörren och fönstren, flytta ut värmekällorna.

Skäl 3: Filter är för smutsiga. Så rengör eller byt filter.

Orsak 4: Luftinlopp eller luftutlopp är blockerat. Så ta bort blockering.

Problem III: Stort brus

Anledning: Enheten placeras inte på en plan yta. Så lägg enheten på en platt och hård plats för att minska buller.

Problem IV.: Kompressorn fungerar inte.

Orsak: Kompressorns tidsfördröjningsskydd slås på. Så vänta i 3 minuter tills temperaturen har sänkts och starta sedan om enheten.

Obs: när onormala situationer inträffar, stäng av enheten och dra ut kontakten, kontakta sedan professionell service för hjälp.

Reparera inte enheten själv. Ingen kvalificerad reparation upphäver garantin.

TEKNISK DATA:

Kylkapacitet vid BTU: 9000 BTU / timme

Kylkapacitet i watt: 2640W

Energiförbrukning (kylning) i watt: 1010 W

Bullelnivå: <= 65dB

Luftflöde: 350 m3 / timme

Energiklass: A

Torkkapacitet: 24 liter / 24 timmar

Kylmedel: R290 210 gram



Varning, risk för brand.

Gör INTE igenom eller bränna.

Var medveten om att köldmediet kanske inte innehåller en lukt.



Vi sköter om miljön. Överlämna förpackningar i kartong till pappersavfall. Polyetylensäckar (PE) slängs i avfallsbehållare för plast. Man bör lämna en gammal apparat till en riktig återvinningscentral, eftersom farliga komponenter i apparaten kan orsaka fara till miljön. En elektrisk apparat bör lämnas för att minska förnyad användning av denna. Om apparaten innehåller batterier, bör man ta bort dem och lämna dem separat till återvinningscentraler.

УКРАЇНСЬКА

ЗАГАЛЬНІ УМОВИ БЕЗПЕКИ

ВАЖЛИВІ ІНСТРУКЦІЇ З БЕЗКОШТОВНОСТІ ЧИТАЙТЕ ДУЖКО І ЗАБЕЗПЕЧЕННЯ ДЛЯ БУДУЩЕГО

1. Перш ніж користуватися пристроєм, прочитайте посібник з експлуатації та дотримуйтесь інструкцій, що містяться в ньому. Виробник не несе відповідальності за збитки, спричинені використанням пристрою всупереч його передбачуваному призначенню або неправильній експлуатації.
2. Пристрій призначений лише для домашнього використання. Не використовуйте для інших цілей, які не призначені за призначенням.
3. Пристрій слід підключати лише до розетки змінного струму із заземленням 220 240 В ~ 50 Гц. Для підвищення експлуатаційної безпеки кілька електричних пристроїв не повинні підключатися одночасно до одного ланцюга струму.
4. Будьте дуже обережні, коли користуєтесь пристроєм, коли діти поруч. Не дозволяйте дітям грати з пристроєм, не дозволяйте дітям або людям, незнайомим пристроєм, користуватися ним.
5. ПОПЕРЕДЖЕННЯ: Цим обладнанням можуть користуватися діти старше 8 років та люди з обмеженими фізичними, сенсорними або розумовими здібностями, або люди, які не мають досвіду чи знань щодо обладнання, якщо це робиться під наглядом відповідальної особи. Для їх безпеки або надано їм інформацію про безпечне користування пристроєм та знають про небезпеку його використання. Діти не повинні грати з обладнанням. Чищення та обслуговування приладу не повинно здійснюватися дітьми, якщо вони не перевищують 8 років і ці заходи проводяться під наглядом.
6. Завжди від'єднуйте шнур живлення, тримаючи розетку рукою після використання. НЕ тягніть за шнур живлення.
7. Не занурюйте кабель, вилку та весь пристрій у воду або будь-яку іншу рідину. Не піддавайте прилад атмосферним умовам (дощ, сонце тощо) і не використовуйте в умовах підвищеної вологості (ванні кімнати, вологі мобільні будинки).

8. Періодично перевіряйте стан шнура живлення. Якщо шнур живлення пошкоджений, його слід замінити в спеціалізованому ремонтному центрі, щоб уникнути небезпеки.
9. Не використовуйте прилад із пошкодженим шнуром живлення або якщо він був випав або пошкоджений будь-яким іншим способом або якщо він не працює належним чином. Не ремонтуйте пристрій самостійно, оскільки є ризик ураження електричним струмом. Віднесіть пошкоджений пристрій у відповідний сервісний центр для перевірки чи ремонту. Всі ремонти можуть проводити тільки авторизовані сервісні пункти. Неправильно виконаний ремонт може становити серйозну небезпеку для користувача.
10. Поставте прилад на прохолодну стійку поверхню, подалі від гарячих кухонних приладів, таких як: електрична плита, газовий конфорка тощо.
11. Переконайтесь, що ніщо не блокує вхід і вихід повітря в пристрій
12. Використовуйте пристрій лише на рівній поверхні, щоб запобігти розливу конденсату
13. Для забезпечення додаткового захисту доцільно встановити в електричному ланцюзі пристрій залишкового струму (RCD) з номінальним залишковим струмом, що не перевищує 30 мА. Запитайте про це електрика.
14. Регулярно чистіть повітряний фільтр. Частота очищення залежить від чистоти повітря.
15. Після вимкнення машини зачекайте принаймні 5 хвилин, перш ніж увімкнути її.
16. Не використовуйте прилад у сонячних місцях. Коли пристрій перегріється, захист від перегріву увімкнеться.
17. Для забезпечення ефективного охолодження слід зберігати відстань не менше 60 см між бічними стінками пристрою та стіною або меблями чи шторами.
18. Через обмежені показники роботи пристрою, якщо різниця між цільовою температурою та температурою навколишнього середовища занадто велика, цільова температура може бути досягнута.
19. Щоб зменшити ризик пожежі, ураження електричним струмом або травм при користуванні кондиціонером, дотримуйтесь таких основних заходів безпеки:
 - а) Підключіть до заземленої розетки за допомогою 3-х штифтів.
 - б) Не знімайте заземлюючий зубчик.
 - в) Не використовуйте адаптер.
 - г) Не використовуйте подовжувач.
 - д) Перед обслуговуванням відключіть кондиціонер.
 - ф) Використовуйте двох або більше людей для переміщення та встановлення кондиціонера.
20. Не використовуйте засоби, що прискорюють процес розморожування чи очищення, крім тих, які рекомендовані виробником.
21. Пристрій слід зберігати в приміщенні без постійно діючих джерел займання, наприклад: відкритого вогню, газових приладів або електричних нагрівачів.

ДО ПЕРШОГО ВИКОРИСТАННЯ

Під час переміщення пристрою переконайтесь, що він знаходиться у вертикальному положенні. Перед використанням

кондиціонера тримайте його у вертикальному положенні принаймні 2 години.

Опис пристрою - КОНДИЦІОНЕР МІСЬКОГО ВІДПОВІДА CR7929 - Зображення А

- | | |
|--|--|
| 1. Панель управління | 2. Випуск холодного повітря |
| 3. Пульти дистанційного керування (зображення Е) | 4. Ручка |
| 5. Впускні отвори повітря | 6. Витяжна труба повітря |
| 7. Випускний з'єднувач | 8. Зливний отвір з гумовою кришкою (малюнок F) |
| 9. Віконний витяжний адаптер | 10. З'єднувач витяжної труби повітря |
| 11. Кадр фільтра | 12. Нейлоновий фільтр |
| 13. Зливна пробка | |

Опис панелі управління - зображення D.

- A. Кнопка живлення
- C. Кнопка зниження температури / таймера в режимі охолодження
- D. Кнопка підвищення температури / таймера в режимі охолодження
- E. Кнопка сну моделі
- F. Кнопка режиму вентилятора
- G. Кнопка таймера
- H. Кнопка автоматичного коливання повітря
- I. Світлодіодний екран
- J. Кнопка прохолодного режиму
- K. Кнопка зневоднення
- L. Кнопка повільної швидкості вентилятора
- M. Кнопка швидкої швидкості вентилятора
- N. Повний індикатор води

Пульти дистанційного керування - малюнок E

- A. Кнопка живлення
- B. Кнопка вибору режиму
- C. Кнопка зниження температури / таймера
- D. Кнопка температури / таймера
- E. Кнопка режиму сну
- F. Кнопка вибору швидкості вентилятора
- G. Кнопка таймера
- H. Кнопка коливань повітря

ПАНЕЛЬ КОНТРОЛУ вручну - малюнок D

Коли ввімкнено перше включення, зумер буде кричати, і тоді пристрій перейде в режим очікування.

Натисніть кнопку "A", щоб увімкнути та вимкнути пристрій, зумер один раз відтворить сигнал.

РЕЖИМ РЕЖИМУ ручного керування панеллю управління

Коли пристрій увімкнено, виберіть потрібний режим між режимом охолодження або вентилятором або режимом осушення, як показано нижче:

Режим охолодження -

- Натисніть кнопку "J" для вибору режиму охолодження, потім натисніть кнопку "L", щоб отримати кнопку повільної швидкості вентилятора, або натисніть кнопку "M", щоб отримати швидку швидкості вентилятора. Далі натисніть кнопку "C" або "D", щоб відрегулювати необхідну температуру від 16 °C до 31 °C, кнопки недоступні у режимі вентилятора чи осушки.

Режим вентилятора -

- Натисніть кнопку "F" для вибору режиму вентилятора, на РК-екрані з'явиться "FA", потім натисніть кнопку "L", щоб отримати кнопку повільної швидкості вентилятора, або натисніть кнопку "M", щоб отримати кнопку швидкої швидкості вентилятора. Під час роботи вентилятора не можуть бути налаштовані функції температури та сну.

Режим осушки -

- Натисніть кнопку "K" для вибору режиму осушення повітря, на РК-екрані з'явиться "dh". У режимі осушення повітря режим сну не може бути налаштований, а швидкість вентилятора встановлюється автоматично на повільній швидкості вентилятора і її неможливо змінити. Для вимкнення режиму осушення повітря виберіть інший режим роботи: режим охолодження або вентилятор. Функція зливної пробки (13) - злити конденсат з верхньої частини пристрою. Його використання визначається відповідно до місцевої вологості повітря. Необхідно відкрити зливну пробку (13) і вилити конденсат, якщо пристрій працює, коли місцева вологість повітря висока або пристрій працює безперервно у режимі осушення протягом 12-24 годин. У режимі сухого

охолодження (низька вологість повітря) не потрібно відкривати зливну пробку (13), оскільки немає необхідності зливати конденсат.

Налаштування таймера -

- Коли пристрій не працює, натисніть кнопку "G", РК-екран блимає, натисніть кнопку "C" або "D", щоб встановити кількість годин після того, як пристрій почне працювати. РК-екран перестає блимати, і піктограма таймера загориться.
- Коли пристрій працює, натисніть кнопку "G", блимає РК-екран, натисніть кнопку "C" або "D", щоб встановити кількість годин, які потрібно пройти, перш ніж пристрій автоматично вимкнеться. РК-екран перестає блимати, піктограма таймера загориться, на екрані з'явиться необхідний для досягнення температури. Це функція затримки запуску.

Діапазон роботи таймера можна фіксувати кожні одну годину від 1 до 24 годин.

Режим сну -

- Спочатку натисніть кнопку "J" в режимі охолодження, потім натисніть кнопку "E", щоб увімкнути сплячий режим, потім пристрій працюватиме енергозберігаючим і тихим типом.
- Далі натисніть кнопку "C" або "D", щоб відрегулювати необхідну температуру від 16 °C до 31 °C.
- Режим сну автоматично програмується. Після першої години роботи температура зростає на 1 °C, після другої години роботи температура зростає ще на 1 °C, а потім залишиться на колишньому рівні.
- Знову натисніть кнопку "E", щоб скасувати режим сну.

ПРИМІТКА: Сонний режим недоступний у режимах осушення та вентилятора.

Вода повна -

Індикатор повної води "N" загориться, і зумер спрацює протягом декількох секунд, тоді компресор перестане працювати, коли внутрішній резервуар для води буде заповнений.

Функція автоматичного коливання повітря -

Натисніть кнопку коливання повітря (H), після включення пристрою вмикається функція автоматичного коливання повітря, жалюзі будуть постійно гойдатися вліво і вправо; натиснувши кнопку знову, рух припиниться, і жалюзі залишаться у такому положенні. Радіус горизонтального коливання повітря - 30 градусів ліворуч і 30 градусів праворуч від середньої вертикалі.

Робота ВИДАЛЕНОГО КОНТРОЛЕРУ - малюнок E

Пульс дистанційного керування передає сигнали системі.

Кнопка "A" - пристрій запуситься, коли він підключений до напруги або буде зупинений, якщо натиснути цю кнопку ще раз.

Кнопка "B" - натисніть її, щоб вибрати режим роботи: прохолодний режим → сухий режим → режим вентилятора.

Кнопка "C" / "D" - натисніть, щоб встановити час роботи від 1 до 24 годин або необхідну кімнатну температуру від 15 до 31 ° C при включенні режиму охолодження.

Кнопка "E" - натисніть її, щоб налаштувати або скасувати режим сну.

Кнопка "F" - натисніть її, щоб вибрати швидкість вентилятора в послідовності: повільна / швидка швидкість вітру.

Кнопка "G" - натисніть її, щоб налаштувати або скасувати таймер.

Кнопка "H" - натисніть, щоб налаштувати або скасувати функцію автоматичного коливання повітря.

ПРИБОРИ ЗАХИСТУ

1. Захист компресора: через три хвилини після включення / перезапуску компресор починає працювати.
2. Функція захисту від переливу: коли індикатор повної води "N" загориться і зумер спрацює протягом декількох секунд, пристрій автоматично вимикається. У цьому випадку потрібно осушити воду (детальніше див. Інструкції з дренажу в кінці цього розділу). Після спорожнення води пристрій перейде в режим очікування.
3. Функція захисту від морозу: в режимі охолодження, якщо температура датчика труби EVA занадто низька, пристрій автоматично перейде в стан захисту. Коли температура датчика труби EVA підвищиться до певної температури, він може автоматично повернутися до нормальної роботи.

ІНСТРУКЦІЯ З ОБЛАДНАННЯ

Цей прилад оснащений системою автоматичного випаровування води. Конденсований водний цикл охолодить конденсатор, що не тільки підвищить ефективність охолодження, але і заощадить енергію.

1. Якщо внутрішній резервуар з водою наповнений, загориться індикатор, наповнений водою «N», пристрій перейде в режим очікування, гуде звуковий сигнал, зупинка компресора і всі кнопки недійсні, поки пристрій не відновиться в нормі після зливу води.
2. Вимкніть живлення пристрою.
3. Підготуйте плоский контейнер (не входить у комплект) для зливу води. Знайдіть його під зливним отвором (8)
3. Зніміть гумовий ковпачок із зливного отвору (8) - малюнок F.
4. Під час дренажу тіло можна трохи нахилити назад.
5. Після того як вода перестане виливатися, закрийте гумовий ковпачок (8).
6. Перезавантажте пристрій, пристрій буде працювати нормально.

ПОЧИСТКА І ОБСЛУГОВУВАННЯ

Очищення: перед чищенням та технічним обслуговуванням вимкніть прилад та вийміть вилку з розетки.

а) Прибирання житла

Почистіть поверхню пристрою мокрою м'якою тканиною. Не використовуйте хімічні речовини, такі як бензол, спирт, бензин, інакше поверхня пристрою буде пошкоджена або навіть весь пристрій буде пошкоджено.

б) Чистка нейлонових фільтрів

Якщо нейлоновий фільтр (12) засмічений пилом, то ефективність пристрою знижується, обов'язково очищайте фільтр раз на два тижні.

- Притисніть ззовні засувку рамки фільтра (11) руками і витягніть до себе, щоб зняти рамку фільтра (11).

- Очистіть верхній і нижній каркаси фільтрів (11) після зняття обох капронових фільтрів (12) з фільтруючої рамки (11). - малюнок Г.

- Поставте нейлоновий фільтр (11) у теплу воду з нейтральним миючим засобом (близько 40 °C / 104 °F) і висушіть його в тіні після чистого промивання.

ЗБЕРІГАННЯ

Якщо пристрій тривалий час не буде використовуватися, виконайте такі дії:

1. Витягніть дренажну пробку (8) для витікання води.

2. Нехай пристрій працює в режимі вентилятора протягом 2 годин, щоб висушити внутрішній пристрій.

3. Вимкніть пристрій і витягніть вилку.

4. Очистіть і висушіть фільтри, після чого встановіть їх знову.

5. Витягніть витяжну трубу для безпечного зберігання.

6. Поставте прилад у поліетиленовий пакет і поставте його на сухе місце.

7. Усуньте батареї пульта дистанційного керування та правильно їх утримуйте.

Зберігайте пристрій та всі компоненти пристрою в сухому місці.

ВИРІШЕННЯ ПРОБЛЕМ

Проблема I.: Кондиціонер не працює.

Причина 1: електрики немає. Отже, увімкніть його після підключення до розетки з електрикою.

Причина 2: Індикатор повної води "N" засвічується. Отже, скидайте воду.

Проблема II: Пристрій часто перезавантажується.

Причина 1: Прямі сонячні промені. Отже, намалював штори.

Причина 2: Двері та вікна відкриті, в приміщенні багато джерел тепла. Отже, закрийте двері та вікна, перемістіть джерела тепла.

Причина 3: Фільтри занадто брудні. Отже, очистіть або замініть фільтри.

Причина 4: Вхід або випуск повітря заблоковані. Отже, приберіть блокування.

Проблема III: великий шум

Причина: пристрій не розміщується на рівній поверхні. Отже, поставте пристрій на рівне і жорстке місце, щоб зменшити шум.

Проблема IV.: Компресор не працює.

Причина: Увімкнено захист від затримки компресора. Отже, зачекайте 3 хвилини, поки температура не знизиться, а потім перезавантажте пристрій.

Примітка. Якщо виникають ненормальні ситуації, вимкніть пристрій і вийміть вилку, а потім зверніться за допомогою до професійної служби.

Не ремонтуйте пристрій самостійно. Не кваліфікований ремонт позбавить гарантії.

ТЕХНІЧНІ ДАНІ:

Потужність охолодження в БТУ: 9000 БТУ / годину

Потужність охолодження в ватах: 2640 Вт

Споживання енергії (охолодження) у ватах: 1010 Вт

Рівень шуму: <= 65 дБ

Потік повітря: 350 м³ / годину

Енергетичний клас: А

Ємність сушіння: 24 літри / 24 години

Охолоджуючий засіб: R290 210 грам



Обережність, небезпека пожежі.

НЕ проколюйте та не горіть.

Майте на увазі, що холодоагент може не містити запаху.



У інтересах навколишнього середовища.

Будь ласка, віддайте картонну упаковку в місце збору мукулатури. Поліетиленові мішки (PE) викинути в смітник для пластику. Відпрацьований пристрій повинен бути відправлений у відповідну точку зберігання, тому що в пристрої є небезпечні інгредієнти, які можуть становити загрозу навколишньому середовищу. Електричний пристрій потрібно повернути так, щоб обмежити його повторне використання. Якщо у пристрої є батареї, то потрібно їх витягнути і віддати до відповідного пункту.

ОПШТИ УСЛОВИ ЗА БЕЗБЕДНОСТ ВАНИ ИНСТРУКЦИИ ЗА БЕЗБЕДНОСТ ПРОЧИТАЈТЕ Внимателно и заштедете за ИДНИНА

1. Пред да го користите уредот, прочитајте го упатството за работа и следете ги упатствата содржани во него. Производителот не одговара за штети предизвикани од користење на уредот спротивно на наменетата намена или неправилно работење.
2. Уредот е само за домашна употреба. Не користете за други цели што не се за наменетата цел.
3. Уредот треба да се поврзе само со штекер за напојување со заземјен 220 240V ~ 50Hz. За да се зголеми безбедноста во работењето, повеќе електрични уреди не треба да бидат поврзани со едно струјно коло во исто време.
4. Користете голема претпазливост кога го користите уредот кога децата се во близина. Не дозволувајте децата да си играат со уредот, не дозволувајте деца или луѓе кои не се запознати со уредот да го користат.
5. ПРЕДУПРЕДУВАЕ: Оваа опрема може да ја користат деца над 8 години и лица со ограничена физичка, сензорна или ментална способност, или луѓе кои немаат искуство или познавање на опремата, доколку тоа е направено под надзор на одговорно лице за нивната безбедност или им е дадена информација за безбедно користење на уредот и се свесни за опасностите од неговото користење. Децата не треба да си играат со опрема. Чистењето и одржувањето на уредот не треба да го вршат деца, освен ако не се над 8 години и овие активности се вршат под надзор.
6. Секогаш исклучувајте го приклучокот за напојување со држење на штекерот со раката по употребата. НЕ влечете го кабелот за напојување.
7. Не го потовајте кабелот, приклучокот и целиот уред во вода или друга течност. Не го изложувајте го уредот на атмосферски услови (дожд, сонце и слично) или користете во услови на висока влажност (бањи, влажни домови за мобилни телефони).
8. Периодично проверувајте ја состојбата на кабелот за напојување. Ако кабелот за напојување е оштетен, тој треба да се замени со специјализирана продавница за поправка за да се избегне опасност.
9. Не користете го апаратот со оштетен кабел за напојување или ако е испуштен или оштетен на кој било друг начин или ако не работи правилно. Не поправајте го уредот сами, бидејќи постои опасност од електричен удар. Понесете го оштетениот уред во соодветен сервисен центар за проверка или поправка. Сите поправки може да ги извршуваат само овластени сервисни точки. Неправилно извршените поправки можат да предизвикаат сериозна опасност за корисникот.
10. Поставете го уредот на ладна, стабилна површина, подалеку од топли кујнски уреди како што се: електричен шпорет, горилник за гас, итн.
11. Осигурете се дека ништо не го блокира влезот на воздухот и излезот на уредот
12. Користете го уредот само на рамна површина за да спречите излевање на кондензацијата

13. За да се обезбеди дополнителна заштита, препорачливо е да се инсталира уред за преостаната струја (RCD) во електричното коло со номинална преостаната струја што не надминува 30mA. За ова прашајте електричар.
14. Редовно чистете го филтерот за воздух. Фреквенцијата на чистење зависи од чистотата на воздухот.
15. Откако ќе ја исклучите машината, почекајте најмалку 5 минути пред да ја вклучите повторно.
16. Не користете го уредот на сончеви места. Кога уредот се прегрее, заштитата од прегревање ќе се вклучи уредот.
17. За да се обезбеди ефикасно ладење, треба да се чува растојание од најмалку 50 см помеѓу страничните wallsидови на уредот и theидот или мебелот или завесите.
18. Поради ограничената изведба на уредот, ако разликата помеѓу целната температура и температурата на околината е премногу голема, не може да се постигне целта.
19. За да го намалите ризикот од пожар, електричен удар или повреда при употреба на климатик, почитувајте ги следниве основни мерки на претпазливост:
 - а) Поврзете се со заземјен штекер со 3 пина.
 - б) Не отстранувајте го заземјувачот.
 - в) Не користете го адаптерот.
 - г) Не користете продолжен кабел.
 - д) Исклучете го клима уредот пред сервисирање.
 - ѓ) Користете две или повеќе лица за да го преместите и инсталирате климатизерот.
20. Не користете средства што го забрзуваат процесот на одмрзнување или чистење, освен оние препорачани од производителот.
21. Уредот треба да се чува во просторија без постојано да работи извор на палење, на пример: отворен оган, гасни апарати или електрични грејачи.

ПРЕД ПРВА УПОТРЕБА

Кога го движите уредот, проверете дали е во исправена положба. Пред употреба на климатик, држете го исправено најмалку 2 часа.

Опис на уредот - КОНДИЦИОНЕР ЗА ЛОКАЛЕН воздух, CR7929 - Слика А

- | | |
|--|---|
| 1. Контролен панел | 2. Извод за ладен воздух |
| 3. Далечински управувач (слика Е) | 4. Рачка |
| 5. Влезници за воздух | 6. Цевка за издувни гасови на воздухот |
| 7. Издувен конектор | 8. Исцедете ја дупката со гумена капака (слика F) |
| 9. Адаптер за издувни гасови на прозорецот | 10. Конектор на цевката за издувни гасови |
| 11. Рамка на филтерот | 12. Најлон филтер |
| 13. Приклучок за одвод | |

Опис на контролниот панел - Слика Д.

- А. Копче за напојување
- В. Копче за намалување / тајмер надолу во режимот на ладење
- Д. Копче за температура или тајмер за вклучување во режимот на ладење
- Е. Копче за спиење модел
- Копче за режим на вентилаторот
- Копче Г. Тајмер
- Н. Копче за автоматска осцилација на воздухот
- И. LED екран

- J. копче за режим на кул
- Копче за дехидрирање
- L. Бавно копче за брзина на вентилаторот
- M. Брзо копче за брзина на вентилаторот
- N. Целосна светло за индикаторот за вода

Далечински управувач - Слика Е

- A. Копче за напојување
- Копче за избор на режим
- B. Копче за намалување на температурата / тајмерот
- G. копче за температура / тајмер
- E. копче за режим на спиење
- Копче за избор на брзина на вентилаторот
- Копче G. Тајмер
- Копче за осцилација на воздухот

Упатство за употреба КОНТРОЛ ПАНЕЛ - слика Д

Кога напојувањето е вклучено за прв пат, сијалицата ќе вика, а потоа уредот ќе стапи во состојба на подготвеност.

Притиснете го копчето „А“ за да го вклучите и исклучите уредот, сијалицата еднаш ќе пушти сигнал.

РАБОТНИ ИЗБОР за рачно работење на контролниот панел -

Кога уредот е вклучен, изберете режим што ви треба помеѓу режимот за ладење или режимот на вентилаторот или режимот на дехидрирање како што е подолу:

Режим на ладење -

- Притиснете го копчето „J“ за да изберете режим на ладење, потоа притиснете го копчето „L“ за да добиете забавено копче за брзина на вентилаторот или притиснете го копчето „M“ за да добиете брзо копче за брзина на вентилаторот. Следното притиснете го копчето „C“ или „D“ за да ја прилагодите потребната температура од 16 °C до 31 °C, копчињата не се достапни во режим на вентилаторот или дехидрирање.

Режим на вентилатор -

- Притиснете го копчето „F“ за да изберете режим на вентилаторот, ЛЦД-екранот ќе го прикаже „FA“, потоа притиснете го копчето „L“ за да добиете забавено копче за брзина на вентилаторот или притиснете го копчето „M“ за да добиете брзо копче за брзина на вентилаторот. За време на работата на вентилаторот, температурата и функциите за спиење не можат да се постават.

Режим на дехидрификација -

- Притиснете го копчето „K“ за да изберете режим на дехидрирање, на LCD-екранот ќе се појави „dh“. Во режим на дехидрирање, режимот на спиење не може да се постави, а брзината на вентилаторот автоматски се фиксира на бавна брзина на вентилаторот и не може да се промени. За да го исклучите режимот на дехидрирање, изберете друг режим на работа: режим на ладење или вентилатор. Функцијата на приклучокот за одвод (13) е да ја исцеди водата од кондензатот од горниот дел на уредот. Неговата употреба се одредува според локалната влажност на воздухот. Потребно е да го отворите приклучокот за одвод (13) и да ја истурите водата од кондензатот ако уредот работи кога локалната влажност на воздухот е висока или уредот работи на режим на одвлажнување континуирано 12-24 часа континуирано. Во режим на суво ладење (мала влажност на воздухот) не е неопходно да се отвори приклучокот за одвод (13) бидејќи нема потреба да се исцеди кондензатот.

Тајмер поставен -

- Кога уредот не работи, притиснете го копчето „G“, трепка LCD екранот, притиснете го копчето „C“ или „D“ за да поставите количина на часови откако уредот ќе започне да работи. ЛЦД-екранот престанува да трепка и иконата за тајмер ќе биде осветлена.

- Кога уредот работи, притиснете го копчето „G“, трепка LCD екранот, притиснете го копчето „C“ или „D“ за да поставите количина на часови што треба да поминат пред да се исклучи уредот автоматски. ЛЦД-екранот ќе престане да трепка, ќе се осветли иконата за тајмер, се прикажува LCD екранот потребен за да се постигне температура. Оваа функција е одложена старт.

Опсегот на работа на тајмерот може да се поправи секој час од 1 до 24 часа.

Режим на спиење -

- Најпрво притиснете го копчето „J“ на режимот за ладење, следното притиснете го копчето „E“ за да го вклучите режимот за спиење, тогаш уредот ќе работи на заштеда на енергија и тивок тип.

- Следно притиснете го копчето „C“ или „D“ за да ја прилагодите потребната температура од 16 °C до 31.

- Режимот на спиење автоматски се програмира. По првиот час работа, температурата ќе се зголеми за 1 °C, по вториот час работа, температурата ќе се зголеми за уште 1 °C, а потоа ќе остане на исто ниво.

- Повторно притиснете го копчето „E“ за да го откажете режимот на спиење.

ЗАБЕЛЕШКА: Режимот за спиење не е достапен во режимите за сушење и вентилаторот.

Вода полна -

Светилната индикаторска ламба „N“ ќе се осветли и сијаличката ќе се алармира неколку секунди, тогаш компресорот ќе престане да работи кога резервоарот за вода на внатрешниот уред ќе биде полн.

Функција за автоматска осцилација на воздухот -

Притиснете го копчето за осцилација на воздухот (H), откако уредот ќе се вклучи, функцијата за автоматска осцилација на воздухот се вклучува, лауверот ќе се врти континуирано лево и десно; со повторно притискање на копчето движењето ќе престане и лауверот остане во таа позиција.

Радиусот на хоризонтална осцилација на воздухот е лево 30 степени и 30 степени исправен правец од средната вертикала.

РЕМОТИРАТЕ КОНТРОЛЕЛЕР работа - слика E

Далечинскиот управувач пренесува сигнали на системот.

Копче „A“ - уредот ќе се стартува кога ќе се напојува или ќе биде запрен, ако повторно го притиснете ова копче.

Копче "B" - притиснете го за да изберете режим на работа: режим на ладење → сув режим → режим на вентилаторот.

Копче "C" / "D" - притиснете за да го поставите времето за работа од 1 до 24 часа или потребната собна температура од 15 до 31 °C кога е вклучен режимот за ладење.

Копче "E" - притиснете го за да поставите или откажете режимот на спиење.

Копче "F" - притиснете го за да ја изберете брзината на вентилаторот во низа: бавна / брза брзина на ветрот.

Копче "G" - притиснете го за да поставите или откажете тајмер.

Копче „H“ - притиснете за да поставите или откажете функција за автоматска осцилација на воздухот.

УПАТСТВИ ЗА ЗАШТИТА

1. Заштита на компресорот: Три минути подоцна по вклучувањето / рестартирањето, компресорот започнува да работи.

2. Функција за заштита од струење на проток: кога ќе се осветли сијаличката за напојување со вода „N“, и сијаличката ќе се алармира неколку секунди, уредот автоматски се исклучува. Во овој случај, треба да ја исцедите водата (детали видете Упатства за дренажа на крајот од ова поглавје). Откако ќе се испразни водата, уредот ќе стапи во состојба на подготвеност.

3. Функција за заштита од мраз: Во режимот на ладење, ако температурата на сензорот за цевки EVA е прениска, уредот автоматски ќе влезе во статус на заштита. Кога температурата на сензорот за цевки EVA се искачи на одредена температура, автоматски може да се врати на нормална работа.

УПАТСТВО ЗА ОДРЕДУВА :E:

Овој уред е опремен со систем за испарување на вода. Кондензираниот циклус на вода ќе го олади кондензаторот, што не само што ќе ја подобри ефикасноста на ладењето, туку и ќе заштеди енергија.

1. Ако внатрешниот резервоар за вода е полн, светилката за напојување со вода „N“ ќе се осветли, уредот влегува во режим на подготвеност, извикувања на зглобовите, запира компресорот и сите копчиња не се валидни се додека уредот не се опорави да биде нормален, по одводнување на водата.

2. Исклучете го уредот.

3. Подгответе рамен сад (не е вклучен за поставување) за да ја исцедите водата. Пронајдете го под дупката за одвод (8)

3. Извадете го гумениот капа од дупката за одвод (8) - слика F.

4. За време на дренажата, телото може да се навали малку наназад.

5. Откако водата престане да излева, затворете ја гумената капа (8).

6. Рестартирајте го уредот, уредот работи нормално.

ЧИСТЕЕ И ОДРУВАЕ

Чистење: пред чистење и одржување, исклучете го уредот и исклучете го приклучокот.

а) Чистење на станови

Исчистете ја со површина на уредот со влажна мека крпа. Не користете хемикалии, како што се бензен, алкохол, бензин, во спротивно, површината на уредот ќе биде оштетена или дури и целиот уред ќе биде оштетен.

б) Чистење на чисти најлонски филтри

Ако најлонскиот филтер (12) е запушен со прашина, тогаш ефикасноста на уредот е намалена, не заборавате да го исчистите филтерот еднаш на секои две недели.

- Присилете го од надвор од бравата на рамката на филтерот (11) со рацете и повлечете се кон себе за да ја отстраните рамката на филтерот (11).

- Исчистете ја горната и долната рамка на филтрите (11) откако извадете ги и најлонските филтри (12) од рамката за филтрирање (11). - слика Г.

- Ставете го најлонскиот филтер (11) во топла вода со неутрален детергент (околу 40 °C / 104) и исушете го во сенка откако ќе се испере чистата.

ЧУВАЕ

Ако уредот ќе биде неискористен долго време, направете го следново:

1. Извлечете го дренажниот приклучок (8) за да испушти вода.

2. Дали уредот работи под режим на вентилаторот 2 часа за да се исуши внатрешноста на уредот.

3. Исклучете го уредот и извлечете го приклучокот.

4. Причисти и суви филтри, потоа повторно инсталирајте ги.

5. Извлечете ја издвуната цевка за безбедно чување.
6. Ставете го уредот во пластична кеса и поставете го на суво место.
7. Извадете ги батериите од далечинскиот управувач и одржувајте ги правилно.

Чувајте го уредот и сите компоненти на уредот на суво место.

СОВЕТУВАОРЕ

Проблем I: Климатизацијата не работи.

Причина 1: Нема електрична енергија. Затоа, вклучете го откако ќе го поврзете со штекер со електрична енергија.

Причина 2: Осветлената светлосна индикаторска вода „N“ е осветлена. Значи, испуштете ја водата.

Проблем II: Уредот автоматски се рестартира често.

Причина 1: Директна сончева светлина. Значи, нацртајте ги завесите.

Причина 2: Вратата и прозорците се отворени, многу извори на топлина во просторијата. Затоа, затворете ја вратата и прозорците, исфрлете ги изворите на топлина.

Причина 3: Филтрите се премногу валкани. Значи, исчистете или заменете ги филтрите.

Причина 4: Влез во воздухот или излегување на воздух е блокиран. Значи, отстранете ја блокадата.

Проблем III: Голем шум

Причина: Уредот не е поставен на рамна површина. Значи, ставете го уредот на рамно и тешко место за да се намали бучавата.

Проблем IV: Компресорот не работи.

Причина: Вклучете ја заштитата за време на одложување на компресорот. Затоа, почекајте 3 минути додека не се намали температурата, а потоа повторно вклучете го уредот.

Забелешка: кога ќе се појават абнормални ситуации, исклучете го уредот и извлечете го приклучокот, а потоа контактирајте со професионална услуга за помош.

Не поправајте го уредот сами. Неквалификуваната поправка ќе ја поништи гаранцијата

ТЕХНИЧКИ ПОДАТОЦИ:

Капацитет за ладење на BTU: 9000 BTU / час

Капацитет на ладење во вати: 2640W

Потрошувачка на енергија (ладење) во вати: 1010 W

Ниво на бучава: <= 65dB

Проток на воздух: 350 m³ / час

Класа на енергија: A

Капацитет на сушење: 24 литри / 24 часа

Агент за ладење: грамови R290 210



Внимание, ризик од пожар.

НЕ пирснувајте или изгорувајте.

Бидете свесни дека ладилното средство може да не содржи мирис..



Се грижиме за природната средина. Картонските паковки молиме да се наменат за рециклирање. Полиетиленовите кеси (PE) да се фрлат во контејнер за пластика. Искористениот уред треба да се предаде во соодветниот складирачки пункт, бидејќи небезбедните состојки кои се наоѓаат во уредот можат да бидат загрозување за средината. Електричниот уред треба да се предаде на начин кој ќе оневозможи негова повторна употреба и искористување. Доколку во уредот има батерии, треба да се извадат и посебно да се предадат во складирачкиот пункт.

SLOVENSKY

VŠEOBECNÉ BEZPEČNOSTNÉ PODMIENKY DÔLEŽITÉ BEZPEČNOSTNÉ POKYNY ČÍTAJTE POZORNE A ULOŽTE DO BUDÚCNOSTI

1. Pred použitím zariadenia si prečítajte návod na obsluhu a postupujte podľa pokynov v ňom uvedených. Výrobca nezodpovedá za škody spôsobené používaním zariadenia v rozpore s jeho určeným účelom alebo nesprávnou obsluhou.
2. Zariadenie je určené iba na domáce použitie. Nepoužívajte na iné účely, než na ktoré sú určené.
3. Zariadenie by malo byť pripojené iba k sieťovej zásuvke s uzemneným 220 240 V ~ 50 Hz. Z dôvodu zvýšenia prevádzkovej bezpečnosti by viac elektrických zariadení nemalo byť pripojené k jednému prúdovému obvodu súčasne.
4. Pri používaní zariadenia, keď sú deti v blízkosti, buďte veľmi opatrní. Nedovoľte deťom hrať sa so zariadením, nedovoľte deťom ani osobám oboznámeným so zariadením

používať.

5. **VÝSTRAHA:** Toto zariadenie môžu používať deti staršie ako 8 rokov a ľudia s obmedzenými fyzickými, zmyslovými alebo mentálnymi schopnosťami alebo ľudia, ktorí nemajú skúsenosti s týmto vybavením, ak sa to deje pod dohľadom zodpovednej osoby. pre svoju bezpečnosť alebo im boli poskytnuté informácie o bezpečnom používaní pomôcky a sú si vedomí nebezpečenstva pri jej používaní. Deti by sa s týmto zariadením nemali hrať. Čistenie a údržba prístroja by nemali vykonávať deti, pokiaľ nie sú staršie ako 8 rokov a tieto činnosti sa vykonávajú pod dohľadom.

6. Po použití vždy odpojte sieťovú zástrčku tak, že budete držať zásuvku rukou. **NEVYŤAHUJTE** napájací kábel.

7. Kábel, zástrčku a celé zariadenie neponárajte do vody ani inej kvapaliny. Nevystavujte zariadenie poveternostným vplyvom (dážď, slnko atď.) Ani ho nepoužívajte v podmienkach vysokej vlhkosti (kúpeľne, vlhké mobilné domy).

8. Pravidelne kontrolujte stav napájacieho kábla. Ak je napájací kábel poškodený, mal by sa vymeniť v odbornom servise, aby sa predišlo nebezpečenstvu.

9. Nepoužívajte spotrebič s poškodeným napájacím káblom alebo ak spadol alebo je poškodený iným spôsobom alebo ak nefunguje správne. Neopravujte prístroj sami, mohlo by dôjsť k úrazu elektrickým prúdom. Poškodené zariadenie odneste na kontrolu alebo opravu do príslušného servisného strediska. Všetky opravy smie vykonávať iba autorizovaný servis. Nesprávne vykonané opravy môžu pre používateľa predstavovať vážne nebezpečenstvo.

10. Zariadenie umiestnite na chladný a stabilný povrch, mimo dosahu horúcich kuchynských spotrebičov, ako sú: elektrický sporák, plynový horák atď.

11. Skontrolujte, či nič neblokuje vstup a výstup vzduchu zo zariadenia

12. Používajte zariadenie iba na rovnom povrchu, aby sa zabránilo vyliatiu kondenzátu

13. Na zabezpečenie dodatočnej ochrany sa odporúča nainštalovať do elektrického obvodu zariadenie na zvyškový prúd (RCD) s menovitým zvyškovým prúdom nepresahujúcim 30 mA. Požiadajte o to elektrikára.

14. Pravidelne čistite vzduchový filter. Frekvencia čistenia závisí od čistoty vzduchu.

15. Po vypnutí stroja počkajte aspoň 5 minút, kým ho znova zapnete.

16. Nepoužívajte zariadenie na slnečných miestach. Keď sa zariadenie prehrieva, zapne sa ochrana pred prehriatím.

17. Na zabezpečenie účinného chladenia by sa medzi bočnými stenami zariadenia a stenou alebo nábytkom alebo záclonami mala udržiavať vzdialenosť najmenej 50 cm.

18. Vzhľadom na obmedzený výkon zariadenia, ak je rozdiel medzi cieľovou teplotou a okolitou teplotou príliš veľký, cieľová teplota sa nemusí dosiahnuť.

19. Aby ste znížili riziko požiaru, úrazu elektrickým prúdom alebo zranenia pri používaní klimatizácie, dodržiavajte tieto základné bezpečnostné opatrenia:

a) Pripojte k uzemnenej zásuvke pomocou 3 pinov.

b) Nevyberajte uzemňovací kolík.

c) Nepoužívajte adaptér.

d) Nepoužívajte predlžovací kábel.

e) Pred servisom odpojte klimatizačnú jednotku.

f) Na premiestnenie a inštaláciu klimatizácie použite dve alebo viac osôb.

20. Nepoužívajte iné prostriedky, ktoré urýchľujú proces rozmrazovania alebo čistenia, iné ako tie, ktoré odporúča výrobca.

21. Zariadenie by sa malo skladovať v miestnosti bez neustáleho fungovania zdrojov zapálenia, napríklad: otvorený oheň, plynové spotrebiče alebo elektrické ohrievače.

PRED PRVÝM POUŽITÍM

Pri premiestňovaní zariadenia sa uistite, že je vo zvislej polohe. Pred použitím klimatizáciu udržiavajte vo zvislej polohe najmenej 2 hodiny.

Popis zariadenia - LOCAL AIR CONDITIONER CR7929 - Obrázok A

- | | |
|---------------------------------|---|
| 1. Ovládací panel | 2. Výstup studeného vzduchu |
| 3. Diaľkový ovládač (obrázok E) | 4. Rukoväť |
| 5. Prívody vzduchu | 6. Výfukové potrubie vzduchu |
| 7. Výfukový konektor | 8. Vypúšťací otvor s gumovým uzáverom (obrázok F) |
| 9. Adaptér na odsávanie okien | 10. Konektor výfukového potrubia vzduchu |
| 11. Rám filtra | 12. Nylonový filter |
| 13. Vypúšťacia zátka | |

Popis ovládacieho panela - obrázok D.

- A. Vypínač
- C. Tlačidlo na zníženie teploty / zníženie času v režime chladenia
- D. Tlačidlo zvyšovania teploty / časovača v režime chladenia
- E. Tlačidlo režimu spánku
- F. Tlačidlo režimu ventilátora
- G. Tlačidlo časovača
- H. Tlačidlo automatického kmitania vzduchu
- I. LED obrazovka
- J. Tlačidlo režimu chladenia
- K. Odvlhčovacie tlačidlo
- L. Tlačidlo pomalej rýchlosti ventilátora
- M. Tlačidlo rýchlej rýchlosti ventilátora
- N. Kontrolka plnej vody

Diaľkový ovládač - Obrázok E

- A. Vypínač
- B. Tlačidlo výberu režimu
- C. Tlačidlo na zníženie teploty / časovača
- D. Tlačidlo pre nastavenie teploty / časovača
- E. Tlačidlo režimu spánku
- F. Tlačidlo výberu rýchlosti ventilátora
- G. Tlačidlo časovača
- H. Tlačidlo na kmitanie vzduchu

Ručná prevádzka ovládacieho panela - obrázok D

Pri prvom zapnutí sa ozve bzučiak a zariadenie sa prepne do pohotovostného stavu.

Stlačením tlačidla „A“ zapnete a vypnete zariadenie, bzučiak zaznie signál raz.

VÝBER REŽIMU pri ručnom ovládaní ústredne -

Keď je zariadenie zapnuté, vyberte požadovaný režim medzi režimom chladenia alebo ventilátora alebo režimom odvlhčovania vzduchu:

Režim chladenia -

- Stlačením tlačidla „J“ vyberte režim chladenia, potom stlačením tlačidla „L“ stlačte tlačidlo s pomalou rýchlosťou ventilátora alebo stlačte tlačidlo „M“ a získajte tlačidlo s rýchlou rýchlosťou ventilátora. Potom stlačte tlačidlo „C“ alebo „D“, aby ste nastavili požadovanú teplotu od 16 °C do 31 °C, tlačidlá nie sú dostupné v režime ventilátora alebo odvlhčovania.

Režim ventilátora -

- Stlačením tlačidla „F“ vyberte režim ventilátora, na LCD obrazovke sa zobrazí „FA“, potom stlačte tlačidlo „L“, aby ste dostali tlačidlo s

pomalou rýchlosťou ventilátora, alebo stlačte tlačidlo „M“, čím získate rýchle tlačidlo s rýchlosťou ventilátora. Počas prevádzky ventilátora nie je možné nastavovať funkcie teploty a spánku.

Režim odvlhčovania -

- Stlačením tlačidla „K“ vyberte režim odvlhčovania, na LCD displeji sa zobrazí „dh“. V režime odvlhčovania nie je možné nastaviť režim spánku a rýchlosť ventilátora je pevne stanovená na pomalou rýchlosť ventilátora a nedá sa zmeniť. Ak chcete vypnúť režim odvlhčovania, vyberte iný prevádzkový režim: režim chladenia alebo ventilátora. Odtoková zátka (13) má za úlohu odvádzať kondenzovanú vodu z hornej časti zariadenia. Jeho použitie je určené podľa miestnej vlhkosti vzduchu. Je potrebné otvoriť vypúšťaciu zátku (13) a vyliť kondenzovanú vodu, ak zariadenie pracuje pri vysokej vlhkosti miestneho vzduchu alebo zariadenie pracuje nepretržite 12-24 hodín v režime odvlhčovania. V režime suchého chladenia (nízka vlhkosť vzduchu) nie je potrebné otvárať vypúšťaciu zátku (13), pretože nie je potrebné vypúšťať kondenzát.

Nastavenie časovača -

- Ak zariadenie nefunguje, stlačte tlačidlo „G“, obrazovka LCD bliká, stlačte tlačidlo „C“ alebo „D“ a nastavte počet hodín po začatí činnosti zariadenia. Displej LCD prestane blikáť a ikona časovača sa rozsvieti.
- Keď zariadenie pracuje, stlačte tlačidlo „G“, obrazovka LCD bliká, stlačte tlačidlo „C“ alebo „D“ a nastavte počet hodín, ktoré musí uplynúť, než sa zariadenie automaticky vypne. Displej LCD prestane blikáť, ikona časovača sa rozsvieti a na displeji sa zobrazí teplota potrebná na dosiahnutie teploty. Toto je funkcia oneskoreného štartu.
Rozsah činnosti časovača je možné stanoviť každú hodinu od 1 do 24 hodín.

Režim spánku -

- Najskôr stlačte tlačidlo „J“ do režimu chladenia, potom stlačte tlačidlo „E“, aby ste zapli režim spánku, potom zariadenie bude pracovať na úspornom a tichom type.
- Ďalej stlačte tlačidlo „C“ alebo „D“, aby ste nastavili požadovanú teplotu od 16 °C do 31 °C.
- Režim spánku sa automaticky naprogramuje. Po prvej hodine prevádzky sa teplota zvýši o 1 °C, po druhej hodine prevádzky sa teplota zvýši o ďalšiu °C a zostane na rovnakej úrovni.
- Opätovným stlačením tlačidla „E“ režim spánku zrušíte.

POZNÁMKA: Režim spánku nie je k dispozícii v režimoch odvlhčovania a ventilátora.

Voda plná -

Kontrolka naplnenia vodou „N“ sa rozsvieti a bzučiak upozorní na niekoľko sekúnd, potom sa kompresor zastaví, keď sa naplní vnútorný zásobník na vodu.

Funkcia automatického kmitania vzduchu -

Stlačte tlačidlo vzduchovej oscilácie (H), keď sa zariadenie zapne, zapne sa funkcia automatického kmitania vzduchu, mriežka sa bude plynulo otáčať doľava a doprava; opätovným stlačením tlačidla sa pohyb zastaví a mriežka zostane v tejto polohe.
Polomer horizontálnej vibrácie vzduchu je 30 stupňov doľava a 30 stupňov vpravo od strednej vertikály.

Prevádzka DIALKOVÉHO OVLÁDAČA - obrázok E

Dialkový ovládač prenáša signály do systému.

Tlačidlo „A“ - zariadenie sa spustí, keď je pod napätím alebo sa zastaví, ak toto tlačidlo znova stlačíte.

Tlačidlo „B“ - stlačením zvolíte prevádzkový režim: režim chladenia → režim sušenia → režim ventilátora.

Tlačidlo „C“ / „D“ - stlačením nastavíte čas prevádzky od 1 do 24 hodín alebo požadovanú teplotu miestnosti od 15 do 31 °C, keď je režim chladenia zapnutý.

Tlačidlo „E“ - stlačením tohto tlačidla nastavíte alebo zrušíte režim spánku.

Tlačidlo „F“ - stlačením zvolíte rýchlosť ventilátora v poradí: pomalá / rýchla rýchlosť vetra.

Tlačidlo „G“ - stlačením tohto tlačidla nastavíte alebo zrušíte časovač.

Tlačidlo „H“ - stlačením nastavíte alebo zrušíte funkciu automatického kmitania vzduchu.

OCHRANNÉ ZARIADENIA

1. Ochrana kompresora: O tri minúty neskôr po zapnutí / reštartovaní sa kompresor spustí.

2. Funkcia ochrany proti pretečeniu: keď sa rozsvieti kontrolka naplnenia vodou „N“ a bzučiak zaznie niekoľko sekúnd, zariadenie sa automaticky vypne. V takom prípade musíte vypustiť vodu (podrobnosti nájdete v časti Vypúšťacie pokyny na konci tejto kapitoly). Po vyprázdnení vody sa zariadenie prepne do pohotovostného stavu.

3. Funkcia protimrazovej ochrany: Ak je v režime chladenia príliš nízka teplota potrubného senzora EVA, zariadenie automaticky prejde do stavu ochrany. Keď teplota potrubného snímača EVA stúpne na určitú teplotu, môže sa automaticky vrátiť k normálnej prevádzke.

POKYNY NA ODVODOVANIE:

Toto zariadenie je vybavené systémom automatického odparovania vody. Cyklus kondenzovanej vody ochladzuje kondenzátor, čo nielen zlepšuje účinnosť chladenia, ale tiež ušetrí energiu.

1. Ak je vnútorná nádrž na vodu plná, rozsvieti sa kontrolka naplnenia vodou „N“, zariadenie vstúpi do pohotovostného režimu, zaznie bzučiak, kompresor sa zastaví a všetky tlačidlá sú neplatné, až kým sa zariadenie po odtoku vody nevráti do normálu.

2. Vypnite zariadenie.

3. Pripravte si plochý zásobník (nie je súčasťou súpravy) na vypustenie vody. Vyhľadajte ho pod výpustným otvorom (8)
3. Odstráňte gumené viečko z vypúšťacieho otvoru (8) - obrázok F.
4. Počas odtoku je možné teleso nakloniť mierne dozadu.
5. Keď voda prestane vytekať, zatvorte gumené viečko (8).
6. Reštartujte zariadenie, zariadenie bude bežať normálne.

ČISTENIE A ÚDRŽBA

Čistenie: pred čistením a údržbou vypnite zariadenie a odpojte zástrčku.

a) Čistenie krytu

Čistite povrchom zariadenia navlhčenou mäkkou handričkou. Nepoužívajte chemikálie, ako je benzén, alkohol, benzín, inak sa poškodí povrch zariadenia alebo dokonca celé zariadenie.

b) Čistenie čistých nylonových filtrov

Ak je nylonový filter (12) upchaný prachom, účinnosť zariadenia sa zníži, filtra vždy čistite každé dva týždne.

- Z vonkajšej strany zatlačte rukou na západku rámu filtra (11) a vyťahnite smerom k sebe, aby ste kryt filtra (11) odstránili.

- Po odstránení oboch nylonových filtrov (12) z rámu filtra (11) vyčistíte horný a dolný rám filtrov (11). - obrázok G.

- Nylonový filter (11) vložte do teplej vody s neutrálnym čistiacim prostriedkom (asi 40 °C / 104 °F) a po vyčistení opláchnite v tieni.

skladovanie

Ak zariadenie nebudete dlhší čas používať, postupujte takto:

1. Vyťahnite odtokovú zátku (8), aby vytekla voda.
 2. Zariadenie nechajte bežať 2 hodiny v režime ventilátora, aby ste vyschli jeho vnútorné zariadenie.
 3. Vypnite zariadenie a vyťahnite zástrčku.
 4. Očistite a vysušte filtre a potom ich znova nainštalujte.
 5. Vyťahnite výfukové potrubie, aby ste sa mohli bezpečne uchovať.
 6. Vložte zariadenie do plastového vrečka a položte ho na suché miesto.
 7. Vyberte batérie z diaľkového ovládača a riadne ich uschovajte.
- Prístroj a všetky jeho súčasti skladujte na suchom mieste.

RIEŠENIE PROBLÉMOV

Problém I.: Klimatizácia nefunguje.

Dôvod 1: Neexistuje elektrina. Takže ho po pripojení do zásuvky s elektrickou energiou zapnite.

Dôvod 2: Kontrolka plnej vody „N“ svieti. Takže vypúšťajte vodu.

Problém II.: Zariadenie sa často automaticky reštartuje.

Dôvod 1: Priame slnečné svetlo. Takže nakreslil záclony.

Dôvod 2: Dvere a okná sú otvorené, v miestnosti je veľa zdrojov tepla. Zatvorte tak dvere a okná, presuňte zdroje tepla.

Dôvod 3: Filtre sú príliš znečistené. Vyčistite alebo vymeňte filtre.

Dôvod 4: Prívod vzduchu alebo prívod vzduchu je zablokovaný. Odstráňte zablokovanie.

Problém III.: Veľký hluk

Dôvod: Zariadenie nie je umiestnené na rovnom povrchu. Zariadenie preto položte na rovné a ťažké miesto, aby sa znížil hluk.

Problém IV.: Kompresor nefunguje.

Dôvod: Ochrana oneskorenia kompresora je zapnutá. Počkajte 3 minúty, kým sa teplota nezniží, a potom reštartujte zariadenie.

Poznámka: Ak sa vyskytnú neobvyklé situácie, vypnite zariadenie a vyťahnite zástrčku a potom sa obráťte na odborný servis.

Neopravujte prístroj sami. Nesprávna oprava zruší záruku.

TECHNICKÉ DÁTA:

Chladiaca kapacita pri BTU: 9000 BTU / hod

Chladiaci výkon vo wattoch: 2640 W

Spotreba energie (chladenie) vo wattoch: 1010 W

Hladina hluku: <= 65 dB

Prietok vzduchu: 350 m³ / hod

Energetická trieda: A

Sušiacia kapacita: 24 litrov / 24 hodín

Chladiace činidlo: R290 210 gramov



Pozor, nebezpečenstvo požiaru.

NEPrepichujte ani nespajte.

Majte na pamäti, že chladivo nemusí obsahovať zápach.



Starostlivosť o životné prostredie. Kartónový obal odovzdajte do zberných surovín. Polyetylénové vrečka (PE) vyhodte do kontajnera na plast. Opotrebený spotrebič odovzdajte na príslušný zberný dvor, nebezpečné látky spotrebiča môžu predstavovať riziko pre životné prostredie. Elektrosprebič odstráňte tak, aby nedochádzalo k jeho ďalšiemu použitiu. Ak sa v spotrebiči nachádzajú batérie, vyberte ich a odovzdajte ich na zberné miesto osobitne. Spotrebič nevyhadzujte do kontajnera na komunálny odpad!

KARTA GWARANCYJNA

WARUNKI GWARANCJI obowiązują na terenie Rzeczypospolitej Polskiej

Adler Sp. z o.o. ul. Ordona 2a 01-237 Warszawa zapewnia Użytkownika o dobrej jakości sprzętu, na który wydana jest niniejsza karta gwarancyjna i udziela 24 miesięcznej gwarancji, która liczy się od daty zakupu sprzętu. Usługi gwarancyjne świadczone są po okazaniu prawidłowo wypełnionej karty gwarancyjnej. Wady lub uszkodzenia sprzętu ujawnione w okresie gwarancji usuwane będą bezpłatnie przez Serwis Centralny. W przypadku zakupu sprzętu przez przedsiębiorcę (faktura VAT) okres gwarancji wynosi 12 miesięcy. Powyższy zapis nie dotyczy jednoosobowych działalności gospodarczych, o ile rodzaj zakupionego sprzętu, nie jest związany z profilem prowadzonej działalności gospodarczej – weryfikacja w CEIDG.

W przypadku wymiany rzeczy na nową, albo po dokonaniu istotnej naprawy, okres gwarancji biegnie na nowo od chwili dostarczenia klientowi rzeczy wolnej od wad, lub zwrócenia rzeczy naprawionej. Jeżeli gwarant wymienił część rzeczy, przepis powyższy stosuje się odpowiednio do części wymienionej. Gwarant zobowiązuje się pokryć koszty dostarczenia rzeczy do serwisu na adres wskazany w karcie gwarancyjnej. Jednakże uprawniony z gwarancji powinien zachować rozsądek, wybierając środek transportu. Uprawnionemu z gwarancji nie przysługują od gwaranta zwrot kosztów dostarczenia towaru – rzeczy do naprawy gwarancyjnej, przekraczający ekonomicznie uzasadnione koszty przewozu.

UWAGA: Sprzęt przeznaczony jest wyłącznie do użytku domowego. Naprawami gwarancyjnymi nie są objęte czynności związane z odkamienianiem, konserwacją, czyszczeniem urządzenia oraz części i akcesoria ulegające zużyciu przy normalnym użytkowaniu. Gwarancja nie obejmuje mechanicznych uszkodzeń sprzętu oraz wad i uszkodzeń wynikłych wskutek:

- niewłaściwego lub niezgodnego z instrukcją użytkowania, przechowywania i konserwacji;
- ingerencji nieautoryzowanego serwisu, samowolnych napraw, przeróbek i zmian konstrukcyjnych;
- użycia niewłaściwych materiałów eksploatacyjnych.
- uszkodzeń mechanicznych, termicznych, chemicznych i powstałych na skutek przepięcia w sieci.
- karta gwarancyjna jest nieważna bez daty zakupu, pieczęci sprzedającego i kopii dokumentu zakupu.
- gwarancją nie są objęte elementy eksploatacyjne i akcesoria w tym: elementy szklane (np. dzbanki, talerze), sznury przyłączeniowe, sieciowe, żarówki, baterie, nożyki i folie do urządzeń tnących, nasadki miksujące, trzepaki, mieszaki, ssawkoszczotki, rury, węże, kubki miksujące, głowice tnące i sita.

Reklamowany sprzęt jest dostarczany do Serwisu Centralnego przez Klienta w stanie kompletnym i odpowiednio zabezpieczony na czas transportu. Po dokonanej naprawie reklamowany sprzęt odbierany jest z Serwisu Centralnego przez Klienta.

Termin usunięcia wady może zostać wydłużony o czas potrzebny do importu niezbędnych części, nie dłuższy niż 30 dni roboczych. W każdym takim przypadku warsztat serwisowy powiadomi klienta o wydłużeniu terminu naprawy gwarancyjnej. W związku z koniecznością sprowadzenia części zamiennych i poinformuje o nowym terminie usunięcia wady.

W przypadku stwierdzenia usterki należy ją zgłosić w punkcie sprzedaży lub w Serwisie Centralnym, ul. Ordona 2A, 01-237 Warszawa, tel. 728-595-006 lub e-mail: serwis@adler.com.pl.

W zgłoszeniu proszę podać swój adres, nr telefonu i opis usterki. Do reklamacji konieczne jest dołączenie kopii dokumentu zakupu.

Gwarancja nie wyłącza ani nie ogranicza oraz nie zawieszają uprawnień kupującego wynikających z przepisów o rękojmi za wady rzeczy sprzedanej.



adnotacje serwisu:

SERWIS CENTRALNY
01-237 Warszawa ul.Ordona 2A
tel. 728 - 595 - 006
serwis@adler.com.pl www.adler.com.pl

.....
(data sprzedaży)
.....
(pieczętka sklepu i podpis sprzedawcy)

W trosce o środowisko...

Opakowania kartonowe oraz worki polietylenowe (PE) należy wrzucać do odpowiednich pojemników przeznaczonych do selektywnej zbiórki odpadów komunalnych zgodnie z ich opisem. Jeżeli w urządzeniu znajdują się baterie, należy je wyjąć i osobno oddać do punktu zbierania i składowania. Zużyte urządzenia należy oddać do odpowiedniego punktu zbierania i składowania, gdyż znajdujące się w nim niebezpieczne substancje mogą stanowić zagrożenie dla zdrowia i środowiska. Oznaczenie umieszczone na produkcie wskazuje, że urządzenia nie należy wyrzucać do pojemnika z odpadami komunalnymi.

Zużyty sprzęt elektryczny, to odpady, które zawierają substancje szkodliwe dla ludzi, zwierząt i środowiska. Substancje te mogą doprowadzić do zanieczyszczenia gleby, wody lub powietrza, a poprzez to mogą się dostać do organizmu człowieka i doprowadzić do licznych dolegliwości zdrowotnych, takich jak: zaburzenia wzroku, słuchu, mowy, mogą również doprowadzić do uszkodzenia nerek, wątroby i serca, oraz wywołać choroby skóry. Substancje szkodliwe mogą mieć również niekorzystny wpływ na układ oddechowy i rozrodczy oraz doprowadzić do zamian nowotworowych. Spożycie roślin rosnących na skażonych glebach, oraz produktów powstałych z nich może grozić w/w skutkami zdrowotnymi.

Urządzenia nie wyrzucać do pojemnika na odpady komunalne !!!!

OGÓLNE WARUNKI BEZPIECZEŃSTWA
WAŻNE INSTRUKCJE DOTYCZĄCE BEZPIECZEŃSTWA UŻYTKOWANIA PRZECZYTAJ
UWAŻNIE I ZACHOWAJ NA PRZYSZŁOŚĆ

1. Przed rozpoczęciem użytkowania urządzenia należy przeczytać instrukcję obsługi i postępować według wskazówek w niej zawartych. Producent nie odpowiada za szkody spowodowane użytkowaniem urządzenia niezgodnie z jego przeznaczeniem lub niewłaściwą jego obsługą.
2. Urządzenie służy wyłącznie do użytku domowego. Nie używać do innych celów, niezgodnych z jego przeznaczeniem.
3. Urządzenie należy podłączyć wyłącznie do gniazdka prądu przemiennego z uziemieniem 220-240V ~50Hz. W celu zwiększenia bezpieczeństwa użytkownika do jednego obwodu prądu nie należy równocześnie włączać wielu urządzeń elektrycznych.
4. Należy zachować szczególną ostrożność podczas korzystania z urządzenia, gdy w pobliżu przebywają dzieci. Nie należy dopuszczać dzieci do zabawy urządzeniem nie pozwól dzieciom ani osobom nie zaznajomionym z urządzeniem na jego użytkowanie.
5. **OSTRZEŻENIE:** Niniejszy sprzęt może być użytkowany przez dzieci powyżej 8 roku życia oraz osoby o ograniczonej zdolności fizycznej, czuciowej lub psychicznej, lub osoby nie mające doświadczenia lub znajomości sprzętu, jeśli odbywa się to pod nadzorem osoby odpowiedzialnej za ich bezpieczeństwo lub zostały im udzielone wskazówki na temat bezpiecznego użytkowania urządzenia i mają świadomość niebezpieczeństwa związanego z jego użytkowaniem. Dzieci nie powinny bawić się sprzętem. Czyszczenie i konserwacja urządzenia nie powinna być wykonywana przez dzieci, chyba że są powyżej 8 roku życia a czynności te są wykonywane pod nadzorem.
6. Zawsze po zakończeniu używania, wyjmij wtyczkę z gniazda zasilającego poprzez przytrzymanie gniazdka ręką. **NIE** ciągnąć za sznur sieciowy.
7. Nie zanurzać kabla, wtyczki oraz całego urządzenia w wodzie lub innej cieczy. Nie wystawiaj urządzenia na działanie warunków atmosferycznych (deszczu, słońca, etc.) ani nie używaj w warunkach podwyższonej wilgotności (łazienki, wilgotne domki kempingowe).
8. Okresowo sprawdzaj stan przewodu zasilającego. Jeżeli przewód zasilający jest uszkodzony, to powinien on być wymieniony przez specjalistyczny zakład naprawczy w celu uniknięcia zagrożenia.
9. Nie używaj urządzenia z uszkodzonym przewodem zasilającym lub jeśli zostało upuszczone lub uszkodzone w jakikolwiek inny sposób lub nieprawidłowo pracuje. Nie naprawiaj urządzenia samodzielnie, gdyż grozi to porażeniem. Uszkodzone urządzenie oddaj do właściwego punktu serwisowego w celu sprawdzenia lub dokonania naprawy. Wszelkich napraw mogą dokonywać wyłącznie uprawnione punkty serwisowe. Nieprawidłowo wykonana naprawa może spowodować poważne zagrożenie dla użytkownika.
10. Należy stawiać urządzenie na chłodnej stabilnej, równej powierzchni, z dala od nagrzewających się urządzeń kuchennych jak: kuchenka elektryczna, palnik gazowy, itp..
11. Upewnij się, że nic nie blokuje wlotu i wylotu powietrza do urządzenia
12. Używaj urządzenia tylko na równej poziomej powierzchni by zapobiec wylaniu się skroplonej wody

13. Do zapewnienia dodatkowej ochrony, wskazane jest zainstalowanie w obwodzie elektrycznym, urządzenia różnicowoprądowego (RCD) o znamionowym prądzie różnicowym nie przekraczającym 30mA. W tym zakresie należy zwrócić się do specjalisty elektryka.
14. Czyść regularnie filtr powietrza. Częstotliwość czyszczenia zależna jest od czystości powietrza.
15. Po wyłączeniu urządzenia odczekaj co najmniej 5 minut przed ponownym włączeniem.
16. Nie używaj urządzenia w nasłonecznionych miejscach. Kiedy urządzenie przegrzeje się, zabezpieczenie przed przegrzaniem włączy urządzenie.
17. Dla zapewnienia efektywnego chłodzenia należy zachować odstęp co najmniej 50 cm między ściankami bocznymi urządzenia, a ścianą bądź meblami czy zasłonami.
18. Ze względu na ograniczoną wydajność urządzenia, przy zbyt dużej różnicy między temperaturą docelową a temperaturą otoczenia, temperatura docelowa może nie zostać osiągnięta.
19. W celu zmniejszenia ryzyka pożaru, porażenia prądem lub obrażeń podczas korzystania z klimatyzatora, należy przestrzegać następujących podstawowych środków ostrożności:
 - a) Podłącz do uziemionego gniazdka z 3 bolcami.
 - b) Nie usuwaj bolca uziemienia.
 - c) Nie używaj adaptera.
 - d) Nie używaj przedłużacza.
 - e) Odłącz klimatyzator przed serwisowaniem.
 - f) Użyj dwóch lub więcej osób, aby przenieść i zainstalować klimatyzator.
20. Nie należy używać środków przyspieszających proces rozmrażania lub czyszczenia innych niż zalecane przez producenta.
21. Urządzenie należy przechowywać w pomieszczeniu bez stale działających źródeł zapłonu, na przykład: otwartego ognia, urządzeń gazowych lub grzejników elektrycznych.

PRZED PIERWSZYM UŻYCIEM

Podczas przenoszenia urządzenia upewnij się, że znajduje się ono w pozycji pionowej. Przed użyciem klimatyzatora należy go trzymać w pozycji pionowej przez co najmniej 2 godziny.

Opis urządzenia - KLIMATYZATOR LOKALNY CR7929 - Rysunek A

- | | |
|--|---|
| 1. Panel sterowania | 2. Wylot zimnego powietrza |
| 3. Pilot zdalnego sterowania (rysunek E) | 4. Uchwyt |
| 5. Wloty powietrza | 6. Rura wylotowa powietrza |
| 7. Złącze wydechowe | 8. Otwór spustowy z gumową zaślepką (rysunek F) |
| 9. Adapter wylotu w oknie | 10. Łącznik rury wylotu powietrza |
| 11. Rama filtra | 12. Filtr nylonowy |
| 13. Korek spustowy | |

Opis panelu sterowania - rysunek D.

- A. Przycisk zasilania
- C. Przycisk obniżania temperatury / timera w trybie chłodzenia
- D. Przycisk podwyższania temperatury / timera w trybie chłodzenia
- E. Przycisk modelu uśpienia
- F. Przycisk trybu wentylatora
- G. Przycisk timera

H. Przycisk automatycznej oscylacji powietrza

I. Ekran LED

J. Przycisk trybu chłodzenia

K. Przycisk osuszania

L. Przycisk niskiej prędkości wentylatora

M. Przycisk szybkiej prędkości wentylatora

N. Kontrolka napełnienia zbiornika wodą

Pilot zdalnego sterowania - Rysunek E

A. Przycisk zasilania

B. Przycisk wyboru trybu

C. Przycisk obniżania temperatury / timera

D. Przycisk podwyższania temperatury / timera

E. Przycisk trybu uśpienia

F. Przycisk wyboru prędkości wentylatora

G. Przycisk timera

H. Przycisk oscylacji powietrza

Obsługa ręczna PANELU STEROWANIA - rysunek D

Gdy urządzenie zostanie włączone po raz pierwszy, rozlegnie się sygnał dźwiękowy, a następnie urządzenie przejdzie w stan czuwania.

Naciśnij przycisk „A”, aby włączyć i wyłączyć urządzenie, brzęczyk otworzy sygnał raz.

WYBÓR TRYBU przy ręcznej obsłudze panelu sterowania -

Gdy urządzenie jest włączone, wybierz żądany tryb między trybem chłodzenia, trybem wentylatora lub trybem osuszania, jak poniżej:

Tryb chłodzenia -

- Naciśnij przycisk „J”, aby wybrać tryb chłodzenia, a następnie naciśnij przycisk „L”, aby ustawić wolną prędkość wentylatora lub przycisk „M”, aby uzyskać dużą prędkość wentylatora. Następnie naciśnij przycisk „C” lub „D”, aby ustawić żądaną temperaturę w zakresie od 16 °C do 31 °C, przyciski nie są dostępne w trybie wentylatora lub osuszania.

Tryb wentylatora -

- Naciśnij przycisk „J”, aby wybrać tryb wentylatora, na ekranie LCD pojawi się „FA”, następnie naciśnij przycisk „L”, aby ustawić wolną prędkość wentylatora lub naciśnij przycisk „M”, aby uzyskać dużą prędkość wentylatora. Podczas pracy w trybie wentylatora nie można ustawić temperatury i funkcji spania.

Tryb osuszania -

- Naciśnij przycisk „K”, aby wybrać tryb osuszania, na ekranie LCD pojawi się „dh”. W trybie osuszania nie można ustawić trybu uśpienia, a prędkość wentylatora jest ustawiana automatycznie na niską prędkość wentylatora i nie można jej zmienić. Aby wyłączyć tryb osuszania należy wybrać inny tryb pracy: chłodzenie lub tryb wentylatora. Zadaniem korka spustowego (13) jest odprowadzenie kropli z górnej części urządzenia. Jego zastosowanie zależy od lokalnej wilgotności powietrza. Należy otworzyć korek spustowy (13) i wylać skropliny, jeśli urządzenie pracuje przy dużej wilgotności powietrza lub urządzenie pracuje w trybie osuszania nieprzerwanie przez 12-24 godziny. W

trybie chłodzenia na sucho (niska wilgotność powietrza) nie jest konieczne otwieranie korka spustowego (13), ponieważ nie ma potrzeby spuszczenia kondensatu.

Konfiguracja timera / czasomierza -

- Gdy urządzenie nie działa, naciśnij przycisk „G”, ekran LCD zacznie migać, naciśnij przycisk „C” lub „D”, aby ustawić liczbę godzin, po których urządzenie zacznie działać. Ekran LCD przestanie migać, a ikona timera zostanie podświetlona.

- Gdy urządzenie działa, naciśnij przycisk „G”, ekran LCD zacznie migać, naciśnij przycisk „C” lub „D”, aby ustawić liczbę godzin, które muszą upłynąć, zanim urządzenie wyłączy się automatycznie. Ekran LCD przestanie migać, ikona timera zostanie podświetlona, a ekran LCD pokaże wymaganą do osiągnięcia temperaturę. Jest to funkcja opóźnionego startu. Zakres pracy timera można ustawić co godzinę od 1 do 24 godzin.

Tryb uśpienia -

- Najpierw naciśnij przycisk „J”, aby przejść do trybu chłodzenia, następnie naciśnij przycisk „E”, aby włączyć tryb uśpienia, a następnie urządzenie będzie pracować w trybie energooszczędnym i cichym.

- Następnie naciśnij przycisk „C” lub „D”, aby ustawić żądaną temperaturę w zakresie od 16 °C do 31 °C.

- Tryb uśpienia jest programowany automatycznie. Po pierwszej godzinie pracy temperatura wzrośnie o 1 °C, a po drugiej godzinie pracy wzrośnie o kolejny 1 °C, a następnie pozostanie na tym samym poziomie.

- Ponownie naciśnij przycisk „E”, aby anulować tryb uśpienia.

UWAGA: Tryb uśpienia nie jest dostępny w trybach osuszania i wentylatora.

Pełny zbiornik -

Lampka kontrolna napełnienia zbiornika wodą „N” zaświeci się i brzęczyk będzie alarmował przez kilka sekund, po czym sprężarka przestanie działać, gdy wewnętrzny zbiornik wody urządzenia będzie pełny.

Automatyczna funkcja oscylacji powietrza -

Naciśnij przycisk oscylacji powietrza (H), po włączeniu urządzenia, funkcja automatycznej oscylacji powietrza włączy się, żaluzja będzie się obracać w sposób ciągły w lewo i w prawo; ponowne naciśnięcie przycisku spowoduje zatrzymanie ruchu, a żaluzja pozostanie w tej pozycji. Promień oscylacji powietrza w poziomie wynosi 30 stopni w lewo i 30 stopni w prawo od środkowego pionu.

Obsługa pilota zdalnego sterowania - rysunek E.

Pilot zdalnego sterowania przesyła sygnały do systemu.

Przycisk „A” - urządzenie zostanie uruchomione po podaniu napięcia lub zostanie zatrzymane po ponownym naciśnięciu tego przycisku.

Przycisk „B” - po jego naciśnięciu następuje wybór trybu pracy: tryb chłodzenia → tryb osuszania → tryb wentylatora.

Przycisk „C” / „D” - naciśnij, aby ustawić czas pracy od 1 do 24 godzin lub żądaną temperaturę w pomieszczeniu od 15 do 31°C, gdy włączony jest tryb chłodzenia.

Przycisk „E” - naciśnij, aby ustawić lub anulować tryb uśpienia.

Przycisk „F” - po jego naciśnięciu następuje wybór prędkości wentylatora w kolejności: mała / duża prędkość wiatru.

Przycisk „G” - naciśnij go, aby ustawić lub anulować timer.

Przycisk „H” - naciśnij, aby ustawić lub anulować funkcję automatycznej oscylacji powietrza.

URZĄDZENIA ZABEZPIEZAJĄCE

1.Zabezpieczenie sprężarki: Trzy minuty później po włączeniu / ponownym uruchomieniu sprężarka zaczyna pracować.

2. Funkcja zabezpieczenia przed przelaniem: gdy zapali się kontrolka braku wody „N” i brzęczyk będzie alarmował przez kilka sekund, urządzenie wyłączy się automatycznie. W takim przypadku konieczne jest spuszczenie wody (szczegółowe informacje znajdują się w instrukcji odprowadzania wody na końcu tego rozdziału). Po opróżnieniu wody urządzenie przejdzie w stan czuwania.
3. Funkcja ochrony przed zamarzaniem: W trybie chłodzenia, jeśli temperatura czujnika na rurze EVA jest zbyt niska, urządzenie automatycznie przejdzie w stan ochrony. Gdy temperatura czujnika na rurze EVA wzrośnie do określonej temperatury, może on automatycznie powrócić do normalnej pracy.

URZĄDZENIA ZABEZPIECZAJĄCE

1. Zabezpieczenie sprężarki: Trzy minuty później po włączeniu / ponownym uruchomieniu sprężarka zaczyna pracować.
2. Funkcja zabezpieczenia przed przelaniem: gdy zapali się kontrolka braku wody „N” i brzęczyk będzie alarmował przez kilka sekund, urządzenie wyłączy się automatycznie. W takim przypadku konieczne jest spuszczenie wody (szczegółowe informacje znajdują się w instrukcji odprowadzania wody na końcu tego rozdziału). Po opróżnieniu wody urządzenie przejdzie w stan czuwania.
3. Funkcja ochrony przed zamarzaniem: W trybie chłodzenia, jeśli temperatura czujnika na rurze EVA jest zbyt niska, urządzenie automatycznie przejdzie w stan ochrony. Gdy temperatura czujnika na rurze EVA wzrośnie do określonej temperatury, może on automatycznie powrócić do normalnej pracy.

INSTRUKCJA ODPROWADZANIA WODY:

Urządzenie wyposażone jest w system automatycznego odparowywania wody. Obieg skroplonej wody schładza skraplacz, co nie tylko poprawia wydajność chłodzenia, ale także oszczędza energię.

1. Jeśli wewnętrzny zbiornik na wodę jest pełny, zapali się kontrolka napełnienia wodą „N”, urządzenie przejdzie w tryb czuwania, brzęczyk wyłączy się, sprężarka zatrzyma się i wszystkie przyciski będą nieaktywne do czasu powrotu urządzenia do normalnego stanu po spuszczeniu wody.
2. Wyłącz urządzenie.
3. Przygotuj płaski pojemnik (nie wchodzi w skład zestawu) do spuszczenia wody. Umieść go pod otworem spustowym (8)
3. Zdjąć gumową zaślepkę z otworu spustowego (8) - rysunek F.
4. Podczas odprowadzania wody korpus można lekko odchylić do tyłu.
5. Gdy woda przestanie się wylewać, zamknij gumowy korek (8).
6. Uruchom ponownie urządzenie, urządzenie będzie działać normalnie.

CZYSZCZENIE I KONSERWACJA

Czyszczenie: przed czyszczeniem i konserwacją należy wyłączyć urządzenie i wyciągnąć wtyczkę.

a) Czyszczenie obudowy

Czyść powierzchnię urządzenia wilgotną miękką szmatką. Nie używaj środków chemicznych, takich jak benzen, alkohol, benzyna, w przeciwnym razie powierzchnia urządzenia zostanie uszkodzona, a nawet całe urządzenie.

b) Czyszczenie siateczkowych filtrów nylonowych

Jeśli filtr nylonowy (12) jest zatkany kurzem, to skuteczność urządzenia jest zmniejszona, pamiętaj o czyszczeniu filtra raz na dwa tygodnie.

- Wciśnij ręką od zewnątrz zatrzask ramy filtra (11) i pociągnij do siebie, aby zdjąć ramkę filtra (11).
- Wyczyść górną i dolną ramę filtrów (11) po wyjęciu obu filtrów nylonowych (12) z ramy filtra (11). - zdjęcie G.
- Włóż filtr nylonowy (11) do ciepłej wody z neutralnym detergentem (około 40 °C / 104 °F) i po wypłukaniu wysuszyć go w cieniu.

PRZECHOWYWANIE

Jeśli urządzenie nie będzie używane przez długi czas, wykonaj następujące czynności:

1. Wyciągnąć korek spustowy (8), aby wypuścić wodę.
2. Pozostaw urządzenie na 2 godziny w trybie wentylatora, aby wysuszyć wnętrze urządzenia.
3. Wyłącz urządzenie i wyciągnij wtyczkę.
4. Wyczyść i osusz filtry, a następnie zainstaluj je ponownie.
5. Wyciągnij rurę wydechową dla bezpiecznego przechowywania.
6. Umieść urządzenie w plastikowej torbie i umieść je w suchym miejscu.
7. Wymij baterie z pilota i przechowuj je prawidłowo.

Przechowuj urządzenie i wszystkie elementy urządzenia w suchym miejscu.

ROZWIĄZYWANIE PROBLEMÓW

Problem I.: Klimatyzacja nie działa.

Powód 1: nie ma prądu. Więc włącz go po podłączeniu do gniazdka z prądem.

Powód 2: Zapala się kontrolka wypełnienia wodą „N”. Więc spuść wodę.

Problem II.: Urządzenie często uruchamia się ponownie.

Powód 1: Bezpośrednie światło słoneczne. Więc zaciągnąłem zasłony.

Powód 2: Drzwi i okna są otwarte, w pomieszczeniu jest wiele źródeł ciepła. Więc zamknij drzwi i okna, usuń źródła ciepła.

Powód 3: Filtry są zbyt brudne. Dlatego wyczyść lub wymień filtry.

Powód 4: Wlot lub wylot powietrza jest zablokowany. Więc usuń blokadę.

Problem III.: Duży hałas

Przyczyna: Urządzenie nie jest umieszczone na płaskiej powierzchni. Dlatego umieść urządzenie na płaskim i twardym miejscu, aby zmniejszyć hałas.

Problem IV.: Sprężarka nie działa.

Przyczyna: Włącza się urządzenie ochronne przed zwłoką czasową sprężarki. Odczekaj więc 3 minuty, aż temperatura spadnie, a następnie uruchom ponownie urządzenie.

Uwaga: w przypadku wystąpienia nietypowych sytuacji wyłącz urządzenie i wyciągnij wtyczkę, a następnie skontaktuj się z profesjonalnym serwisem w celu uzyskania pomocy. Nie naprawiaj urządzenia samodzielnie. Nieautoryzowana naprawa spowoduje utratę gwarancji.

DANE TECHNICZNE:

Wydajność chłodzenia przy BTU: 9000 BTU / godzinę

Wydajność chłodnicza w watach: 2640 W

Zużycie energii (chłodzenie) w watach: 1010 W

Poziom hałas: <= 65dB

Przepływ powietrza: 350 m³ / godzinę

Klasa energetyczna: A.

Wydajność suszenia: 24 litry / 24 godziny

Czynnik chłodzący: R290, 210g



Uwaga, ryzyko pożaru.

NIE przekłuwaj ani nie podpalaj

Należy pamiętać, że czynnik chłodniczy może być bezwonne

- أو الأثاث أو الستائر
- نظرًا للأداء المحدود للجهاز ، إذا كان الفرق بين درجة الحرارة المستهدفة ودرجة الحرارة 18. المحيطة كبيرًا جدًا ، فقد لا يتم الوصول إلى درجة الحرارة المستهدفة
- لتقليل مخاطر نشوب حريق أو صدمة كهربائية أو إصابة عند استخدام مكيف الهواء ، يجب مراعاة 19. الاحتياطات الأساسية التالية:
- (أ) قم بالتوصيل بمخرج مؤرض بثلاثة دبابيس
- (ب) لا تقم بإزالة سن التأريض
- (ج) لا تستخدم المحول
- (د) لا تستخدم سلك تمديد
- (هـ) افصل مكيف الهواء قبل الصيانة
- (و) استخدام شخصين أو أكثر لتحريك وتركيب المكيف
- لا تستخدم عوامل تسرع من عملية إزالة الجليد أو التنظيف بخلاف تلك التي أوصت بها الشركة 20. المصنعة
- يجب أن يتم تخزين الجهاز في غرفة دون تشغيل مصادر الاشتعال باستمرار ، على سبيل المثال 21. النار المفتوحة ، أجهزة الغاز أو السخانات الكهربائية

عند تحريك الجهاز ، تأكد من أنه في وضع رأسي. قبل استخدام التكييف ، احتفظ به في وضع مستقيم لمدة ساعتين على الأقل

صورة أ - LOCAL AIR CONDITIONER CR7929 - وصف الجهاز

1. لوحة التحكم 2. مخرج الهواء البارد
3. مقيض (E الصورة) وحدة تحكم عن بعد
4. مداخل الهواء 6. أنبوب عادم الهواء
5. موصل العادم 8. فتحة تصريف مع غطاء مطاطي (الصورة و) 7.
- محول عادم النافذة 10. موصل لأنبوب عادم الهواء 9.
- إطار الفلتر 12. مرشح النايلون 11.
- استنزاف المكونات 13.
- وصف لوحة التحكم - صورة د
- A. زر الطاقة
- زر خفض درجة الحرارة / مؤقت لأسفل في وضع التبريد C.
- زر رفع درجة الحرارة / المؤقت في وضع التبريد D.
- زر نموذج النوم E.
- زر وضع المروحة F.
- زر المؤقت
- زر تنذبذب الهواء التلقائي H.
- I. شاشة LED
- زر وضع التبريد
- زر إزالة الرطوبة K.
- زر سرعة المروحة البطيئة L.
- زر سرعة المروحة السريع M.
- ضوء مؤشر امتلاء المياه N.

E. جهاز التحكم عن بعد - صورة

- A. زر الطاقة
- زر اختيار الوضع
- C. زر درجة الحرارة / المؤقت لأسفل
- D. زر درجة الحرارة / المؤقت
- E. زر وضع السكون
- F. زر اختيار سرعة المروحة
- زر المؤقت
- H. زر تنذبذب الهواء

لوحة التحكم التشغيل اليدوي - الصورة د
عندما يتم تشغيل الجهاز لأول مرة ، سيصبح الجرس ، ثم يدخل الجهاز في وضع الاستعداد

اضغط على الزر "A" لتشغيل وإيقاف تشغيل الجهاز ، وسوف يقوم الجرس بتشغيل الإشارة مرة واحدة

- في التشغيل اليدوي للوحة التحكم MODE SELECTION
عند تشغيل الجهاز ، اختر الوضع الذي تريده بين وضع التبريد أو وضع المروحة أو وضع إزالة الرطوبة على النحو التالي

- وضع التبريد
للحصول على "M" للحصول على زر سرعة المروحة البطيئة أو اضغط على الزر "L" لتحديد وضع التبريد ، ثم اضغط على الزر "J" اضغط على الزر - لضبط درجة الحرارة المطلوبة من 16 درجة مئوية إلى 31 درجة مئوية ، والأزرار غير "D" أو "C" زر سرعة المروحة السريع. اضغط بعد ذلك على الزر متوفرة في وضع المروحة أو إزالة الرطوبة

- وضع المروحة
للحصول على زر سرعة المروحة البطيئة أو اضغط "L" ثم اضغط على الزر "FA" LCD لتحديد وضع المروحة ، ستظهر شاشة "F" اضغط على الزر - للحصول على زر سرعة المروحة السريع. أثناء تشغيل وضع المروحة ، لا يمكن إعداد وظائف درجة الحرارة والنوم "M" على الزر

- وضع إزالة الرطوبة
في وضع إزالة الرطوبة ، لا يمكن إعداد وضع السكن ، ويتم تثبيت سرعة "dh" LCD لتحديد وضع إزالة الرطوبة ، ستظهر شاشة "K" اضغط على الزر - المروحة على سرعة المروحة البطيئة تلقائيًا ولا يمكن تغييرها. من أجل إيقاف تشغيل وضع إزالة الرطوبة ، حدد وضع التشغيل الآخر: وضع التبريد أو المروحة

- إعداد المؤقت
لضبط عدد الساعات التي تلي بدء تشغيل الجهاز "D" أو "C" اضغط على الزر LCD ستومض شاشة "G" عندما لا يعمل الجهاز ، اضغط على الزر - عن الوميض وسيضيء رمز المؤقت LCD ستوقف شاشة
لتعيين عدد الساعات التي يجب أن تمر قبل أن يتم إغلاق "D" أو "C" اضغط على الزر LCD تومض شاشة "G" عندما يعمل الجهاز ، اضغط على الزر - مطلوبة لتحقيق درجة الحرارة. هذه وظيفة بداية متأخرة LCD عن الوميض ، ويضيء رمز المؤقت ، وتظهر شاشة LCD الجهاز تلقائيًا. تتوقف شاشة
يمكن ضبط نطاق تشغيل المؤقت بكل ساعة واحدة من 1 إلى 24 ساعة

تتمثل وظيفة قابس التصريف (١٣) في تصريف الماء المتكثف من الجزء العلوي للجهاز. يتم تحديد استخدامه وفقًا لرطوبة الهواء المحلية. يلزم فتح سداة التصريف (١٣) وسكب الماء المتكثف إذا كان الجهاز يعمل عندما تكون رطوبة الهواء المحلي عالية أو يعمل الجهاز في وضع إزالة الرطوبة بشكل مستمر لمدة ١٢-٢٤ ساعة متواصلة. في وضع التبريد الجاف (انخفاض رطوبة الهواء) ، ليس من الضروري فتح قابس التصريف (١٣) لأنه لا توجد حاجة لتصريف المتكثف

- وضع السكن
لتشغيل وضع السكن ، ثم سيعمل الجهاز على النوع الموفر للطاقة والنوع "E" إلى وضع التبريد ، ثم اضغط على الزر "J" في البداية اضغط على الزر - الهادئ
°C لضبط درجة الحرارة المطلوبة من 16 إلى 31 "D" أو "C" اضغط بعد ذلك على الزر -
يتم برمجة وضع السكن تلقائيًا. بعد الساعة الأولى من التشغيل ، سترتفع درجة الحرارة بمقدار 1 ، وبعد الساعة الثانية من التشغيل ، سترتفع درجة - الحرارة بمقدار 1 أخرى ، ثم تظل عند نفس المستوى
مرة أخرى لإلغاء وضع السكن "E" اضغط على زر -
ملاحظة: لا يتوفر وضع السكن في وضعي إزالة الرطوبة والمروحة

- ماء ممثلي
وسيصدر الجرس إنذارًا لعدة ثوانٍ ، ثم يتوقف الضاغط عن العمل عندما يكون خزان المياه الداخلي للجهاز "N" سوف يضيء مصباح مؤشر امتلاء الماء ممثلاً

- وظيفة تذبذب الهواء التلقائي
بعد تشغيل الجهاز ، يتم تشغيل وظيفة التذبذب التلقائي للهواء ، وستأرجح الفتحة باستمرار إلى اليسار واليمين ؛ بالضغط (H) اضغط على زر تذبذب الهواء على الزر مرة أخرى ستوقف الحركة وتظل الفتحة في هذا الوضع
نصف قطر التذبذب الأفقي للهواء 30 درجة يسارًا و 30 درجة يمينًا من الوسط العمودي

E. تشغيل جهاز التحكم عن بعد - صورة

ترسل وحدة التحكم عن بعد إشارات إلى النظام
زر "A" - سيبدأ تشغيل الجهاز عندما يتم تنشيطه أو سيتم إيقافه ، إذا ضغطت على هذا الزر مرة أخرى
اضغط عليه لتحديد وضع التشغيل: الوضع البارد ← وضع الجاف ← وضع المروحة - "B" زر
اضغط لضبط وقت التشغيل من 1 إلى 24 ساعة أو درجة حرارة الغرفة المطلوبة من 15 إلى 31 درجة مئوية عند تشغيل وضع التبريد - "D" / "C" زر
اضغط عليه لإعداد أو إلغاء وضع السكن - "E" زر
اضغط عليه لاختيار سرعة المروحة بالتسلسل: سرعة الرياح البطيئة / السريعة - "F" زر
اضغط عليه لإعداد أو إلغاء المؤقت - "G" زر
اضغط لإعداد أو إلغاء وظيفة التذبذب التلقائي للهواء - "H" زر

- حماية الضاغط: بعد ثلاث دقائق من بدء التشغيل / إعادة التشغيل ، يبدأ الضاغط في العمل.1
- ، وسوف ينبه الجرس لعدة ثوان ، يتم إيقاف تشغيل الجهاز تلقائيًا في هذه الحالة "N" وظيفة حماية التدفق الزائد: عندما يضيء مصباح مؤشر امتلاء الماء 2. تحتاج إلى تصريف المياه (انظر التفاصيل إلى تعليمات الصرف في نهاية هذا الفصل). بعد تفريغ الماء ، سيصبح الجهاز في وضع الاستعداد منخفضة للغاية ، فسوف يدخل الجهاز تلقائيًا في حالة الحماية EVA وظيفة الحماية من الصقيع: في وضع التبريد ، إذا كانت درجة حرارة مستشعر أنبوب 3. إلى درجة حرارة معينة ، يمكن أن يعود تلقائيًا إلى التشغيل العادي EVA عندما ترتفع درجة حرارة مستشعر أنبوب

تعليمات الصرف

- هذا الجهاز مجهز بنظام إلى لتبخير الماء. ستعمل دورة الماء المكثف على تبريد المكثف ، الأمر الذي لن يحسن كفاءة التبريد فحسب ، بل يوفر أيضًا الطاقة ويدخل الجهاز في وضع الاستعداد ، ويطلق الجرس ، ويتوقف "N" إذا كان خزان المياه الداخلي ممتلئًا ، فسيتم إضاءة مصباح مؤشر امتلاء المياه 1. الضاغط ، وتكون جميع الأزرار غير صالحة حتى يتعافى الجهاز إلى الوضع الطبيعي ، بعد تصريف المياه
- إيقاف تشغيل الجهاز. 2.
- (8) قم بإعداد حاوية مسطحة (غير مدرجة في الضبط) لتصريف المياه. حدد موقعه أسفل فتحة التصريف 3.
- F. قم بإزالة الغطاء المطاطي من فتحة التصريف (8) - الصورة 3.
- أثناء الصرف ، يمكن إمالة الجسم قليلاً إلى الخلف 4.
- (8) بعد توقف الماء عن التدفق ، أغلق الغطاء المطاطي 5.
- أعد تشغيل الجهاز ، سيعمل الجهاز بشكل طبيعي 6.

التنظيف والصيانة

- التنظيف: قبل التنظيف والصيانة ، قم بإيقاف تشغيل الجهاز وافصل القابس (أ) تنظيف المساكن
- نظف مع سطح الجهاز قطعة قماش ناعمة مبللة. لا تستخدم مواد كيميائية ، مثل البنزين ، والكحول ، والبنزين ، وإلا فإن سطح الجهاز سيتلف أو حتى سيتلف الجهاز بالكامل
- (ب) تنظيف فلاتر النايلون الشبكي
- إذا كان فلتر النايلون (12) مسدودًا بالغبار ، فإن فعالية الجهاز تقل ، تأكد من تنظيف الفلتر مرة كل أسبوعين
- (11) ادفع مزلاج إطار المرشح بقوة من الخارج (11) بأيدي واسحبه إلى الخارج لإزالة إطار المرشح -
- G. قم بتنظيف إطار المرشح العلوي والسفلي (11) بعد إزالة كلا مرشحي النايلون (12) (من إطار المرشح (11) - صورة -
- ضعي مرشح النايلون (11) (في ماء دافئ بمنظف متعادل (حوالي 40 °C / 104 °F) وجففيه في الظل بعد شطفه نظيفًا -

تخزين

- في حالة عدم استخدام الجهاز لفترة طويلة ، يرجى القيام بما يلي
- اسحب قابس الصرف (8) للخارج لتدقيق المياه 1.
- دع الجهاز يعمل في وضع المروحة لمدة ساعتين لتجفيف الجهاز الداخلي 2.
- قم بإيقاف تشغيل الجهاز واسحب القابس 3.
- نظف المرشحات وجففها ، ثم أعد تركيبها 4-
- سحب أنبوب العادم للحفاظ الآمن 5.
- ضع الجهاز في كيس بلاستيكي ، وضعه في مكان جاف 6.
- انزع بطاريات جهاز التحكم عن بعد واحتفظ بها بشكل صحيح 7-
- قم بتخزين الجهاز وجميع مكوناته في مكان جاف

استكشاف الأخطاء وإصلاحها

- المشكلة الأولى: تكثيف الهواء لا يعمل
- السبب الأول: لا توجد كهرباء. لذا ، قم بتشغيله بعد توصيله بمقبس بالكهرباء
- مضاء. لذا ، قم بتصريف الماء "N" السبب 2: ضوء مؤشر امتلاء الماء
- المشكلة الثانية: إعادة تشغيل الجهاز تلقائيًا بشكل متكرر
- السبب 1: ضوء الشمس المباشر. لذلك ، سحب الستائر
- السبب 2: الأبواب والنوافذ مفتوحة ، العديد من مصادر الحرارة في الغرفة. لذا ، أغلق الباب والنوافذ ، وأخرج مصادر الحرارة
- السبب 3: المرشحات متسخة جدًا. لذلك ، قم بتنظيف أو استبدال المرشحات
- السبب 4: مدخل الهواء أو خروج الهواء مسدود. لذا ، قم بإزالة الانسداد
- المشكلة الثالثة: ضوءاء كبيرة

السبب: عدم وضع الجهاز على سطح مستو. لذلك ، ضع الجهاز في مكان مسطح وقاس لتقليل الضوضاء

المشكلة الرابعة: الضاغط لا يعمل

السبب: تشغيل الحماية من تأخير وقت الضاغط. لذا انتظر لمدة 3 دقائق حتى تنخفض درجة الحرارة ، ثم أعد تشغيل الجهاز

ملاحظة: عند حدوث مواقف غير طبيعية ، قم بإيقاف تشغيل الجهاز واسحب القابس ، ثم اتصل بخدمة

احترافية للحصول على المساعدة

لا تقم بإصلاح الجهاز بنفسك. الإصلاح غير المؤهل سيلغي الضمان

معلومات تقنية

وحدة حرارية بريطانية / الساعة 9000 BTU: سعة التبريد عند

قدرة التبريد بالواط: 2640 وات

استهلاك الطاقة (التبريد) بالواط: 1010 واط

مستوى الضوضاء: < 65 ديسيبل

تدفق الهواء: 350 م³ / ساعة

فئة الطاقة: أ

سعة التجفيف: 24 لتر / 24 ساعة

جرام R290 210: عامل التبريد



.الحذر من خطر نشوب حريق.

.لا تخرق أو تحرق.

.اعلم أن المبرد قد لا يحتوي على رائحة.

يرجى نقل عبوات الورق المقوى إلى نفايات الورق. اسكب أكياس البولي إيثيلين في الحاوية البلاستيكية

يجب إعادة الجهاز البالي إلى نقطة تخزين مناسبة لأنه خطير في الجهاز

قد تشكل المكونات تهديداً للبيئة. يجب تسليم الجهاز الكهربائي للحد

فعليك إخراجها وإعطائها إلى النقطة المخزنة بشكل منفصل، إعادة استخدامها واستخدامها. إذا كان هناك بطاريات في الجهاز



(BG) БЪЛГАРСКИ

УСЛОВИЯ ЗА БЕЗОПАСНОСТ. ВАЖНИ ИНСТРУКЦИИ ЗА БЕЗОПАСНОСТ НА ИЗПОЛЗВАНЕ. МОЛЯ, ПРОЧЕТЕТЕ ВНИМАТЕЛНО И ПАЗЕТЕ ЗА БЪДЕЩИ РЕФЕРЕНЦИИ

1. Преди да използвате продукта, моля, прочетете внимателно и винаги спазвайте следните инструкции. Производителят не носи отговорност за щети, причинени от злоупотреба.
2. Продуктът трябва да се използва само на закрито. Не използвайте продукта за цели, които не са съвместими с приложението му.
3. Устройството трябва да бъде свързано само към променливотоков контакт със заземено напрежение 220 240V ~ 50Hz. За да се повиши безопасността при работа, няколко електрически устройства не трябва да бъдат свързани към един контакт едновременно.
4. Внимавайте изключително много, когато използвате устройството, когато децата са наблизо. Не позволявайте на децата да играят с устройството, не позволявайте на деца или хора, които не са запознати с устройството, да го използват.
5. ПРЕДУПРЕЖДЕНИЕ: Това оборудване може да се използва от деца над 8-годишна възраст и хора с ограничени физически, сензорни или умствени способности или хора, които нямат опит или познания за устройството, ако това се прави под наблюдението на отговорно лице за тяхната безопасност или им е била

предоставена информация за безопасното използване на устройството и са наясно с опасностите от използването му. Децата не трябва да играят с оборудването. Почистването и поддръжката на устройството не трябва да се извършва от деца, освен ако са на възраст над 8 години и тези дейности се извършват под наблюдение.

6. Винаги изключвайте щепсела след употреба, като държите контакта с ръка. НЕ дърпайте захранващия кабел.

7. Не потапяйте кабела, щепсела и цялото устройство във вода или друга течност. Не излагайте устройството на атмосферни условия (дъжд, слънце и др.) Не използвайте в условия на висока влажност (бани, влажни мобилни домове).

8. Периодично проверявайте състоянието на захранващия кабел. Ако захранващият кабел е повреден, той трябва да бъде заменен от специализиран сервиз, за да се избегне опасност.

9. Не използвайте уреда с повреден захранващ кабел или ако той е изпуснат или повреден по някакъв друг начин, или ако не работи правилно. Не ремонтирайте устройството сами, тъй като съществува риск от токов удар. Занесете повреденото устройство в подходящ сервизен център за проверка или ремонт. Всички ремонти могат да се извършват само от оторизирани сервизни центрове. Неправилно извършените ремонти могат да създадат сериозна опасност за потребителя.

10. Поставете устройството на хладна, стабилна повърхност, далеч от горещи кухненски уреди като: електрическа печка, газови котлони и др.

11. Уверете се, че нищо не блокира входа и изхода за въздух на устройството

12. Използвайте устройството само на равна повърхност, за да предотвратите изтичането на конденз.

13. За да се осигури допълнителна защита, препоръчително е да се инсталира устройство за остатъчен ток (RCD) в електрическата верига с номинален остатъчен ток, който не надвишава 30 mA. Попитайте електротехник за това.

14. Почиствайте редовно въздушния филтър. Честотата на почистване зависи от чистотата на въздуха.

15. След като изключите машината, изчакайте поне 5 минути, преди да я включите отново.

16. Не използвайте устройството на слънчеви места. Когато устройството прегрее, защитата от прегряване ще изключи устройството.

17. За да се осигури ефективно охлаждане, трябва да се спазва разстояние от поне 50 см между повърхността на устройството и стената, мебелите или завесите.

18. Поради ограничената производителност на устройството, ако разликата между целевата температура и околната температура е твърде голяма, целевата температура може да не бъде достигната.

19. За да намалите риска от пожар, токов удар или нараняване при използване на климатика, спазвайте следните основни предпазни мерки:

а) Свържете към заземен контакт с 3 щифта.

- б) Не отстранявайте заземителния щифт.
- в) Не използвайте адаптер.
- г) Не използвайте удължителен кабел.
- д) Изключете климатика преди сервизиране.
- е) Използвайте двама или повече души за преместване и инсталиране на климатика.

20. Не използвайте почистващи средства, ускоряващи процеса на размразяване и различни от препоръчаните от производителя.

21. Устройството трябва да се съхранява в помещение без постоянни енергийни източници, например: открит огън, газови уреди или електрически нагреватели.

ПРЕДИ ПЪРВА УПОТРЕБА

Когато премествате устройството, уверете се, че е в изправено положение. Преди да използвате климатика, дръжте го в изправено положение поне 2 часа.

Описание на устройството - ПОРТАТИВЕН КЛИМАТИК CR7929 - Снимка А

- | | |
|---------------------------------------|---|
| 1. Контролен панел | 2. Изход за студен въздух |
| 3. Дистанционно управление (снимка Е) | 4. Дръжка |
| 5. Входящи отвори за въздух | 6. Изпускателна тръба за въздух |
| 7. Изпускателен съединител | 8. Изпускателен отвор с гумена капачка (снимка F) |
| 9. Адаптер за прихващане към прозорци | 10. Съединител на изпускателната тръба за въздух |
| 11. Рамка на филтъра | 12. Найлонов филтър |
| 13 - дренажна тапа | |

Описание на контролния панел - Изображение D.

- A. Бутон за захранване
- B. Бутон за понижаване на температурата / таймера в режим на охлаждане
- D. Бутон за повишаване на температурата / таймера в режим на охлаждане
- Д. Бутон на настрйката за заспиване
- F. Бутон за режим на вентилатор
- G. Бутон на таймера
- H. Бутон за автоматичната осцилация на въздуха
- I. LED екран
- J. Бутон за охлаждащ режим
- K. Бутон за изсушаване
- L. Бутон за бавна скорост на вентилатора
- M. Бутон за бърза скорост на вентилатора
- N. Индикатор за пълна вода

Дистанционно управление - Изображение E

- A. Бутон за захранване
- B. Бутон за избор на режим
- B. Бутон за намаляване на температурата / таймера
- D. Бутон за повишаване на температура / таймера
- Д. Бутон за режим на заспиване
- F. Бутон за избор на скоростта на вентилатора
- G. Бутон за таймера
- H. Бутон за осцилация на въздуха

КОНТРОЛЕН ПАНЕЛ ръчно управление - снимка D

Когато устройството е включено за първи път, ще издаде сигнал и след това ще влезе в състояние на готовност.

Натиснете бутона „А“, за да включите и изключите устройството, то ще издаде сигнал.

РЕЖИМ ИЗБОР на ръчно управление на контролния панел -

Когато устройството е включено, изберете режима, от който се нуждаете, между режим на охлаждане или режим на вентилатор или режим на изсушаване, както е показано по-долу:

Режим на охлаждане -

- Натиснете бутона „J“, за да изберете режим на охлаждане, след това натиснете бутона „L“, за да настроите бавна скорост на

вентилатора, или натиснете бутона „М“, за да настроите бърза скорост. След това натиснете бутона „С“ или „D“, за да регулирате необходимата температура от 16 до 31, бутоните не са налични в режим на вентилатор или режим на изсушаване.

Режим на вентилатор -

- Натиснете бутона „F“, за да изберете режим на вентилатор, LCD екранът ще покаже „FA“, след това натиснете бутона „L“, за да настроите бавна скорост на вентилатора или натиснете бутон „M“, за да настроите бърза скорост на вентилатора. По време на работа в режим на вентилатор температурата и функциите за заспиване не могат да бъдат настроени.

Режим на изсушаване -

- Натиснете бутон „K“, за да изберете режим на изсушаване, LCD екранът ще покаже „dh“. В режим на изсушаване не може да се настрои режим на заспиване и скоростта на вентилатора се фиксира автоматично на бавна скорост и не може да се променя. За да изключите режима на изсушаване, изберете друг режим на работа: режим на охлаждане или вентилатор. Функцията на изпускателната тапа (13) е да източва кондензираната вода от горната част на устройството. Използването му се определя в зависимост от местната влажност на въздуха. Необходимо е да отворите дренажната тапа (13) и да излеее кондензираната вода, ако устройството работи, когато местната влажност на въздуха е висока или устройството работи непрекъснато в режим на изсушаване в продължение на 12-24 часа. В режим на сухо охлаждане (ниска влажност на въздуха) не е необходимо да отваряте дренажната тапа (13), тъй като няма нужда да източвате кондензата.

Настройване на таймера -

- Когато устройството не работи, натиснете бутона „G“, LCD ще примигва, натиснете бутона „C“ или „D“, за да настроите времето, след което устройството да се включи. LCD екранът спира да примигва и иконата на таймера ще свети.

- Когато устройството работи, натиснете бутона „G“, LCD екранът ще примигва, натиснете бутона „C“ или „D“, за да настроите времето, след което устройството да се изключи автоматично. LCD екранът спира да примигва, иконата на таймера ще свети, LCD екранът ще показва необходимото време за постигане на температура. Това е функцията със забавено стартиране. Диапазонът на работа на таймера може да бъде фиксиран за всеки един час от 1 до 24 часа.

Спящ режим -

- Първо натиснете бутона „J“ в режим на охлаждане, след това натиснете бутона „E“, за да включите режима на заспиване. Тогава

устройството ще работи на енергоспестяващ и тих режим.

- След това натиснете бутона „C“ или „D“, за да регулирате необходимата температура от 16 до 31.

- Режимът на заспиване се програмира автоматично. След първия час на работа температурата ще се повиши с 1, след втория час на работа, температурата ще се увеличи с още 1 и след това ще остане на същото ниво.

- Натиснете отново бутона „E“, за да отмените спящия режим.

ЗАБЕЛЕЖКА: Режимът на заспиване не е наличен в режимите за изсушаване и вентилатор.

Пълна вода -

Индикаторът за пълна вода „N“ ще свети и устройството ще алармира за няколко секунди, след което компресорът ще спре да работи. Вътрешният резервоар за вода на устройството ще бъде пълен.

Функция за автоматична осцилация на въздуха -

Натиснете бутон за осцилация на въздуха (H), след като устройството и осцилацията ще се включи, жалюзата ще се люлее непрекъснато наляво и надясно; с повторно натискане на бутона движението ще спре и жалюзата ще остане в това положение. Радиусът на хоризонталното люлеене на въздуха е 30 градуса вляво и 30 градуса вдясно от средната вертикала.

Работа с ДИСТАНЦИОННО УПРАВЛЕНИЕ - снимка E

Дистанционното управление предава сигнали към системата.

Бутон "A" - устройството ще се стартира, когато е включено към електрическата верига или ще бъде спряно, ако натиснете отново този бутон.

Бутон "B" - натиснете, за да изберете режим на работа: охлаждащ режим → сух режим → режим на вентилатор.

Бутон "C" / "D" - натиснете, за да настроите времето за работа от 1 до 24 часа или необходимата стайна температура от 15 до 31 ° C, когато режимът на охлаждане е включен.

Бутон "E" - натиснете, за да настроите или отмените режим на заспиване.

Бутон "F" - натиснете, за да изберете последователно скорост на вентилатора: бавна / бърза скорост на вятъра.

Бутон "G" - натиснете го, за да настроите или отмените таймера.

Бутон „H“ - натиснете, за да настроите или отмените функцията за автоматичната осцилация на въздуха.

ЗАЩИТНИ УСТРОЙСТВА

1. Защита на компресора: Три минути по-късно след включване / рестартиране компресорът започва да работи.

2. Функция за защита от преливане: когато индикаторът за пълна вода „N“ свети, устройството ще алармира за няколко секунди и ще се изключи автоматично. В този случай трябва да излеее водата (подробности вижте Инструкции за дренаж в края на тази глава). След като водата бъде излята, устройството ще влезе в състояние на готовност.

3. Функция за защита от замръзване: В режим на охлаждане, ако температурата на сензора на EVA тръбата е твърде ниска, устройството автоматично ще влезе в режим на защита. Когато температурата на сензора на EVA тръбата се повиши до определена температура, устройството автоматично ще се върне към нормална операция.

ИНСТРУКЦИИ ЗА ДРЕНАЖ:

Това устройство е оборудвано със система за автоматично изпаряване на водата. Цикълът за кондензираната вода ще охладни кондензатора, което не само ще подобри ефективността на охлаждане, но и ще спести енергия.

1. Ако вътрешният резервоар за вода е пълен, индикаторът за пълна вода ще светне „N“, устройството ще влезе в режим на готовност, ще издаде сигнал, компресорът ще спре да работи и всички бутони ще са неактивни, докато устройството се възстанови до нормалното състояние, след оттичане на водата.
2. Изключете устройството.
3. Подгответе плосък съд (не е включен в комплекта) за източване на водата. Поставете го под дренажния отвор (8).
4. Отстранете гумената капачка от изпускателния отвор (8) - снимка F.
3. По време на дренажа уреда може да бъде наклонен леко назад.
5. След като водата бъде излята, затворете с гумената капачка (8).
6. Рестартирайте устройството и то ще работи нормално.

ПОЧИСТВАНЕ И ПОДДРЪЖКА

Почистване: преди почистване и поддръжка изключете устройството и извадете щепсела от контакта.

а) Почистване в жилища

Почистете повърхността на устройството с мокра, мека кърпа. Не използвайте химикали, като бензен, алкохол, бензин, в противен случай повърхността на устройството може да бъде наранена или дори цялото устройство може да се повреди.

б) Почистване на найлонови филтри

Ако найлоновият филтър (12) е запушен с прах, тогава ефективността на устройството е намалена, не забравяйте да почистите филтъра веднъж на две седмици.

- Притиснете надолу и инавън резето на рамката на филтъра (11), и издърпайте към себе си, за да свалите рамката на филтъра (11).
- Почистете горната и долната рамка на филтрите (11), след като отстраните и двата филтъра (12) от рамката на филтъра (11) - снимка G.
- Поставете филтъра (11) в топла вода с неутрален препарат (около 40 / 104) и го изсушете на сянка след изплакване.

СЪХРАНЕНИЕ

Ако устройството няма да се използва дълго време, моля, направете следното:

1. Извадете дренажната тапа(8), за да изтече водата.
 2. Оставете устройството да работи в режим на вентилатор за 2 часа, за да изсъхне вътрешността на устройството.
 3. Изключете устройството и извадете щепсела.
 4. Почистете и изсушете филтрите, след това ги инсталирайте отново.
 5. Извадете изпускателната тръба за безопасно съхранение.
 6. Поставете устройството в найлонова торбичка и го поставете на сухо място.
 7. Извадете батериите на дистанционното управление и ги съхранявайте правилно.
- Съхранявайте устройството и всички компоненти на устройството на сухо място.

ОТСТРАНЯВАНЕ НА НЕИЗПРАВНОСТИ

Проблем I.: Климатикът не работи.

Причина 1: Няма електричество. Ако е така, включете го, след като го свържете към контакт с електричество.

Причина 2: Индикаторът за пълна вода „N“ свети. Ако е така, излейте водата.

Проблем II.: Устройството се рестартира често.

Причина 1: Директна слънчева светлина. Ако е така, дръпнете завесите.

Причина 2: Вратата и прозорците са отворени, много източници на топлина в стаята. Ако е така, затворете вратата и прозорците, преместете източниците на топлина.

Причина 3: Филтрите са твърде мръсни. Ако е така, почистете или заменете филтрите.

Причина 4: Входът за въздух или изходът за въздух е блокиран. Ако е така, премахнете препятствието.

Проблем III.: Силен шум

Причина: Устройството не е поставено на равна повърхност. Ако е така, поставете устройството на равно и твърдо място, за да намалите шума.

Проблем IV.: Компресорът не работи.

Причина: Включва се защитата за забавено включване на компресора. Ако е така, изчакайте 3 минути, докато температурата се понижи, и след това рестартирайте устройството.

Забележка: когато възникнат необичайни ситуации, изключете устройството и извадете щепсела, след което се свържете с професионален сервиз за помощ.

Не ремонтирайте устройството сами. Неквалифицираният ремонт анулира гаранцията.

ТЕХНИЧЕСКИ ДАННИ:

Капацитет на охлаждане при BTU: 9 000 BTU / час

Капацитет на охлаждане във ватове: 2 640W

Консумация на енергия (в режим на охлаждане) във ватове: 1 010 W

Ниво на шум: <= 65dB

Въздушен поток: 350 м3 / час

Енергиен клас: A

Капацитет на сушене: 24 литра / 24 часа

Охлаждащ агент: R290: 210 грама



Внимание, риск от пожар.

НЕ пробивайте или изгаряйте.

Имайте предвид, че хладилният агент може да не съдържа мирис.



За да защитите околната си среда: моля, отделете картонените кутии и найлоновите торбички и ги изхвърлете в съответните кошчета за отпадъци. Използваният уред трябва да бъде доставен до специалните пунктове за събиране, които могат да повлияят на околната среда. Не изхвърляйте този уред в обикновен кош за отпадъци.

camry

Premium



ELECTRIC KETTLE
CR 1290



ESPRESSO MACHINE
CR 4410



SANDWICH MAKER
CR 3054



RETRO RADIO
CR 1182



AIR CONDITIONER
CR 7925



FOOD PROCESSOR
CR 4223



MIXER
CR 4220



MEAT MINCER
CR 4812



AIR FRYER OVEN
CR 6311



BAGLESS VACUUM CLEANER
CR 7046



AIR DEHUMIDIFIER
CR 7851



Trimmer
CR 2921



CERAMIC FAN HEATER
CR 7732



OIL FILLED RADIATOR
CR 7812



PORTABLE FRIDGE
CR 8076



HEATED ANIMAL DEN
CR 7431

www.camryhome.eu

camry

Premium



ELECTRIC KETTLE
CR 1292



HAIR DRYER
CR 2261



TOASTER 2 SLICES
CR 3217



ELECTRIC GRILL
CR 3044



PERSONAL BLENDER
CR 4615



WAFFLE MAKER
CR 3046



GARMENT STEAMER
CR 5033



AIR HUMIDIFIER
CR 7964



GLASS HEATER
CR 7721



WASHING MACHINE
CR 8054



OIL FILLED RADIATOR
CR 7810



HEATING LUNCHBOX
CR 4483



MOSQUITO KILLER LAMP
CR 7935



SONIC TOOTHBRUSH
CR 2173



HEATING UNDERBLANKET
CR 7430



HAIR DRYER
CR 2256

www.camryhome.eu