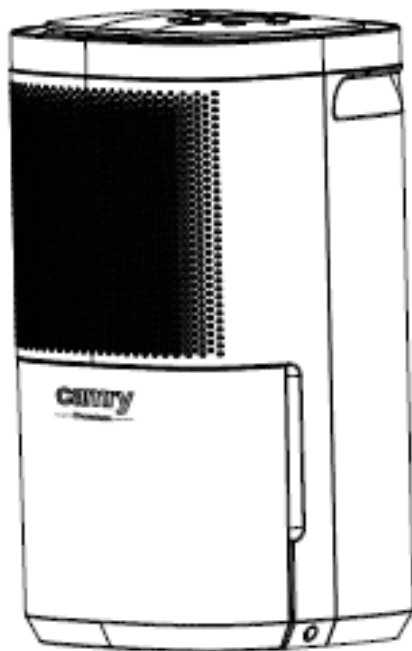


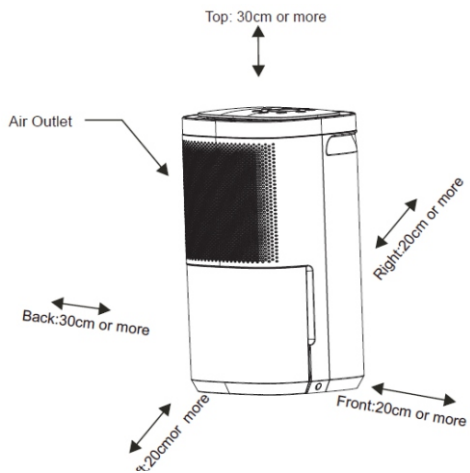
Camry

— Premium —

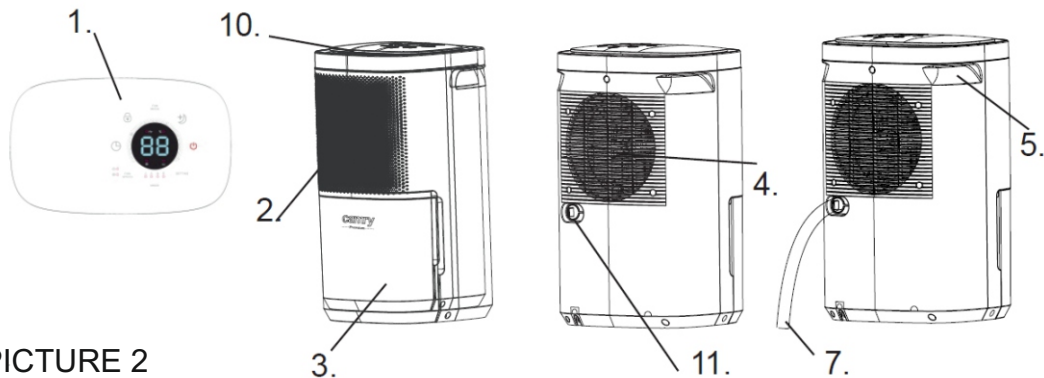
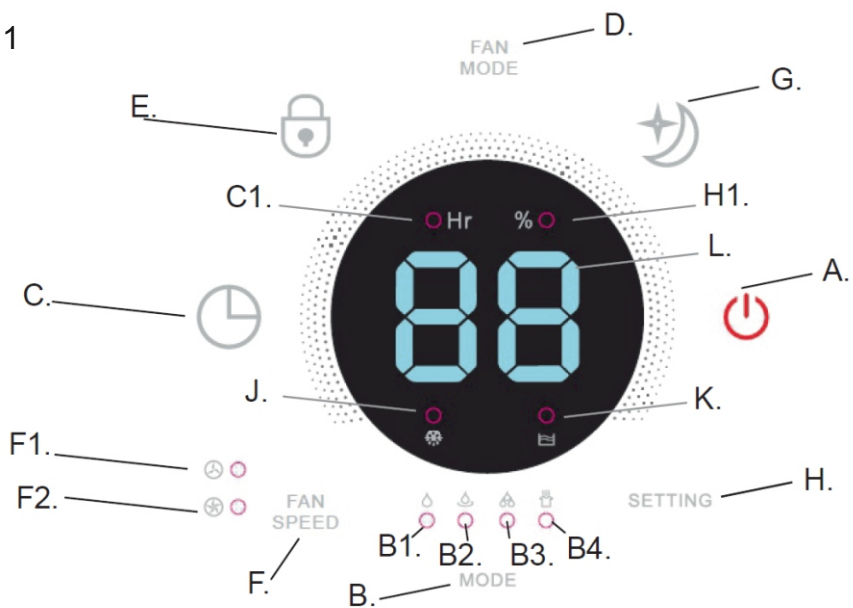


CR 7851

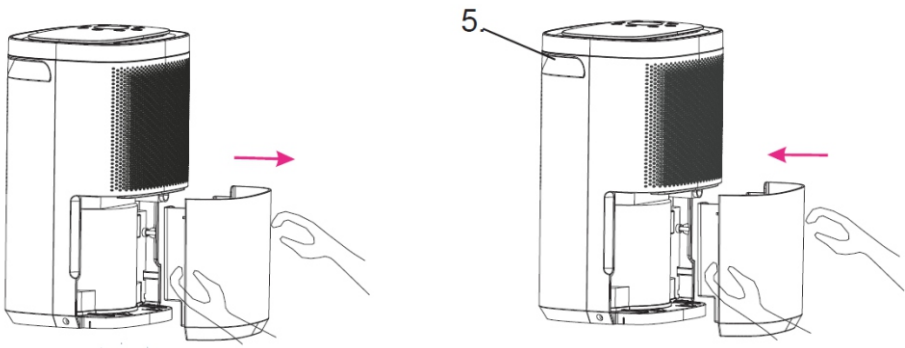
- | | |
|--------------------------------------|-------------------------------------|
| (GB) user manual - 4 | (DE) bedienungsanweisung - 8 |
| (FR) mode d'emploi - 12 | (ES) manual de uso - 16 |
| (PT) manual de serviço - 21 | (LT) naudojimo instrukcija - 25 |
| (LV) lietošanas instrukcija - 29 | (EST) kasutusjuhend - 33 |
| (HU) felhasználói kézikönyv - 46 | (BS) upute za rad - 42 |
| (RO) Instrucțiunea de deservire - 37 | (CZ) návod k obsluze - 71 |
| (RU) инструкция обслуживания - 54 | (GR) οδηγίες χρήσεως - 78 |
| (MK) упатство за корисникот - 100 | (NL) handleiding - 83 |
| (SL) navodila za uporabo - 67 | (FI) manual ng pagtuturo - 50 |
| (PL) instrukcja obsługi - 110 | (IT) istruzioni operative - 59 |
| (HR) upute za uporabu - 63 | (SV) instruktionsbok - 91 |
| (DK) brugsanvisning - 74 | (UA) інструкція з експлуатації - 95 |
| (SR) Корисничко упутство - 87 | (SK) Používateľská príručka - 104 |
| (AR) دليل التعليمات - 114 | (BG) Инструкция за употреба - 117 |



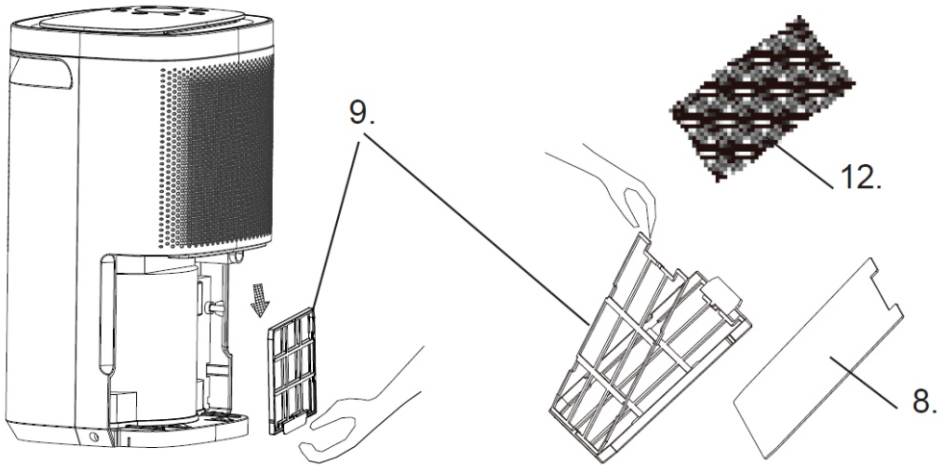
PICTURE 1



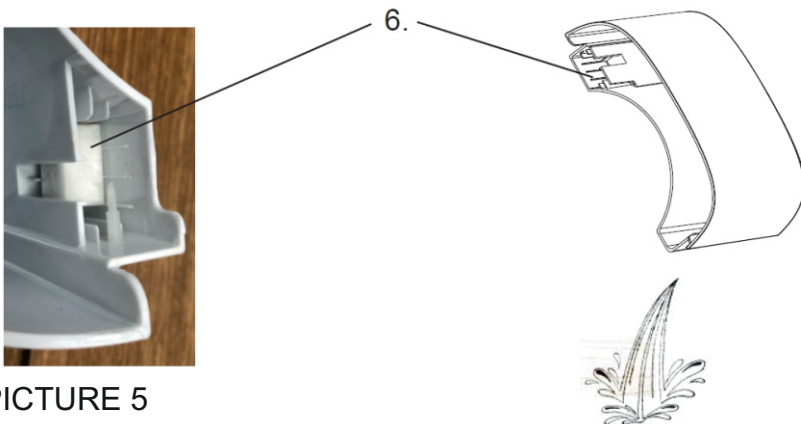
PICTURE 2



PICTURE 3



PICTURE 4



PICTURE 5

SAFETY CONDITIONS. IMPORTANT INSTRUCTIONS ON SAFETY OF USE
PLEASE READ CAREFULLY AND KEEP FOR FUTURE REFERENCE

1. Before using the device, read the operating manual and follow the instructions contained in it. The manufacturer is not liable for damages caused by using the device contrary to its intended purpose or improper operation.
2. The device is for home use only. Do not use for other purposes that are not for its intended purpose.
3. The device should only be connected to an AC outlet with a grounded 220 240V ~ 50Hz. To increase operational safety, multiple electrical devices should not be connected to one current circuit at the same time.
4. Use extreme caution when using the device when children are nearby. Do not allow children to play with the device, do not allow children or people unfamiliar with the device to use it.
5. **WARNING:** This equipment may be used by children over 8 years of age and people with limited physical, sensory or mental ability, or people who have no experience or knowledge of the equipment, if this is done under the supervision of a person responsible for their safety or have been granted them information on the safe use of the device and are aware of the dangers of using it. Children should not play with the equipment. Cleaning and maintenance of the device should not be performed by children, unless they are over 8 years old and these activities are carried out under supervision.
6. Always disconnect the power plug by holding the socket with your hand after use. **DO NOT** pull on the power cord.
7. Do not immerse the cable, plug and the whole device in water or any other liquid. Do not expose the device to atmospheric conditions (rain, sun, etc.) or use in conditions of high humidity (bathrooms, damp mobile homes).
8. Periodically check the condition of the power cord. If the power cord is damaged, it should be replaced by a specialist repair shop to avoid danger.
9. Do not use the appliance with a damaged power cord or if it has been dropped or damaged in any other way or if it is not working properly. Do not repair the device yourself, as there is a risk of electric shock. Take the damaged device to an appropriate service center for checking or repair. All repairs may only be carried out by authorized service points. Incorrectly performed repairs can cause serious danger for the user.
10. Place the device on a cool, stable surface, away from hot kitchen appliances such as: electric stove, gas burner, etc.
11. Make sure that nothing is blocking the air inlet and outlet of the device
12. Use the device only on a level surface to prevent the condensation from spilling out
13. To provide additional protection, it is advisable to install a residual current device (RCD) in the electric circuit with a rated residual current not exceeding 30mA. Ask an electrician for this.

14. Clean the air filter regularly. The frequency of cleaning depends on the cleanliness of the air.
15. After turning off the machine, wait at least 5 minutes before turning it back on.
16. For effective dehumidification, a gap of at least 20 cm should be used between the side walls of the devices and the compressed furniture or curtains.
17. To avoid the risk of fire or explosion, do not spray the dryer
18. To use the housing parts, do not place the dehumidifier near heating devices.
19. Remove the water collected in the tank. Accidentally drinking water or using it with other people may cause illness.
20. Does not support devices with the back cover removed due to moving and hot parts.
21. Do not use any means to carry out the thawing or operating process other than those recommended by the manufacturer.
22. The device should be available as part of a permanent list of ignition sources, i.e. without open flame, without a working gas device or without a working device heater.
23. Do not pierce or smoke.
24. Please note that refrigeration manufacturers may not contain fragrance.

Before first use:

1. The dehumidifier must be used on a level and stable surface, keep distances between unit and other objects according to picture 1 to ensure suitable efficiency. Close all windows and doors of room you want to dehumidify the air.
2. To prevent the water from freezing, do not use the dehumidifier and the drain hose at ambient temperature below 0°C
3. Do not use the dehumidifier outside. Exposure to direct sunlight or rain may result in overheating, electric shock and fire.
4. Do not put water tank on the dehumidifier to avoid any spill of water into the unit inside and deteriorates the insulation.
5. Never attempt to use the dehumidifier for special uses, such as food dehumidification or preservation of art objects, or the like.
6. Do not use the dehumidifier where any leakage of oil or flammable gas may take place. Do not use the unit in places subject to chemicals.
7. For continuous draining, make sure that the drain hose is set properly with slope.
8. Be careful that a heating appliance is not exposed to the wind from the dehumidifier.
9. Do not use the dehumidifier as a chair or a footstool.
10. Do not remove the float lever from the water tank.
11. Do not block up the air intakes and the air outlets.
12. Do not cover the unit with washed clothes.

Prior to continuous operation for a long duration, periodical checking is required especially for the air clean filter, the drain hose, or the like.

Product description: CR7851 Air dehumidifier

- | | | | |
|---------------------|------------------------------|---------------------------------------|-----------------------------|
| 1. Control panel | 2. Air inlet | 3. Water tank 2,2L | 4. Air outlet |
| 5. Handle | 6. Floater | 7. Drain hose | 8. Mesh air filter |
| 9. Filter's housing | 10. Humidity indicator light | 11. Rubber plug for drainage function | 12. Activated carbon filter |

Control panel

- | | |
|---|--|
| A. Power button | B. Mode button |
| B1. Ordinary dehumidification mode indicator | B2. Continuous dehumidification mode indicator |
| B3. Strong dehumidification mode indicator | B4. Clothes drying mode indicator |
| C. Timer 0-24 hours button | C1. Time unit indicator |
| D. Additional fan mode button / indicator | E. Child lock button / indicator |
| F. Fan speed button | F1. Low fan speed indicator |
| F2. High fan speed indicator | G. Sleep mode button / indicator |
| H. Setting button for humidity 30-80% relative humidity | H1. Humidity unit indicator |
| J. Defrost mode indicator | K. Full water tank indicator |
| L. Digital display of humidity and timer | |

Efficiency

1. The appliance automatically performs defrosting in regular intervals according to the room temperature.

- a) If room temperature is equal or exceed 24°C, the defrosting is stopped.
- b) If room temperature is 18°C -24°C, the defrosting is turned on for 5 minutes after every 120 minutes of dehumidification.
- c) If room temperature is 12°C -18°C, the defrosting is turned on for 5 minutes after every 25 minutes of dehumidification.
- d) If room temperature is 5°C -12°C, the defrosting is turned on for 5 minutes after every 20 minutes of dehumidification.

2. During the defrosting operation, the dehumidification function may be intermitted.

3. Please don't turn off the switch or pull out the power plug of the dehumidifier during the defrosting operation.

4. This dehumidifier can't be applicable to keep extreme low temperature. The function of this dehumidifier is to pump off the unpleasant, high humidity.

Dehumidifying capacity

1. This dehumidifier doesn't have cooling function. It will produce heat during the operation and increase the room temperature by 1-4°C.

2. The daily dehumidifying capacity of the dehumidifier depends on room temperature and relative humidity. At different temperatures and relative humidity, it may have different dehumidifying capacity.

3. In the same room temperature, the dehumidifying capacity is higher in higher relative humidity and the dehumidifying capacity is lower in lower relative humidity. In the same relative humidity, the dehumidifying capacity is higher in higher temperature and the dehumidifying capacity is lower in lower temperature.

4. If the dehumidifier is placed in the cabinet, its dehumidifying capacity may highly reduce in a short period after operating due to the humidity in the cabinet has been highly reduced.

5. For 5°C / 10°C / 15°C /20°C /25°C / 30°C of room temperature and 80% of relative humidity the dehumidifying capacity is respectively around 2 / 4 / 6 / 8 /10 liters of water when the air outlet is fully open.

Humidity indicator light (10)

During operation, the humidity indication light shows current humidity level in room:

- Blue color means low humidity below 50% relative humidity
- Green color means medium humidity in range 51% - 69% relative humidity
- Red color means high humidity over 70% relative humidity

Please note, the relative humidity value has got 3% tolerance when illuminates up the corresponding indication light.

Operation

1. Please place the machine unit upright to avoid misoperation and unusual sound. Keep distances between other objects like shown at picture 1. Plug in the device.

2. Power switch (A) on the control panel (1) should be pressed to turn on the device. The digital display (L) will show present humidity level in room.

3. Mode button (B) should be pressed again to choose desired operation mode between:

B1. Ordinary dehumidification mode

When choose this mode, the indicator B1 will light up.

B2. Continuous dehumidification mode

When choose this mode, the indicator B2 will light up.

B3. Strong dehumidification mode

When choose this mode, the indicator B3 will light up.

B4. Clothes drying mode

When choose this mode, the indicator B4 will light up.

4. Humidity setting button (H) should be pressed again to set up desired room humidity between 30-80% with 5% adjustment factor.

Humidity setting is valid under ordinary dehumidification mode (B1) only. After set up required room humidity the digital display (L) will flashing to remember it and device start to operate. Next at the digital display (L) is shown present room humidity. It is need to set up required room humidity at lower level than present room humidity, otherwise the device will not start dehumidification. When the relative humidity in the room equals the level of relative humidity previously set on the display, the device will automatically turn off the compressor, the dehumidifier will stop, only the fan will work.

5. Timer button (C) operates two functions:

DELAY START function

The timer can be set when the device is in the off status. Press the timer button ©. "Hr" indicator (C1) at the LED display lights up and "00" will appear on the digital display (L); within 5 seconds, you should press the timer button (C) to select the desired time when the device must switch on. Once the timer has been set, the time will be displayed for 5 seconds, the "Hr" indicator (C1) will be on. The device will switch on automatically after set up time passed.

Setting the Timer OFF function - DELAY STOP

The timer off function can be set when the device is in switch on status. Press the Timer button ©: the "Hr" indication (C1) at the LED display lights up and "00" appears on the digital display (L); within 5 seconds, you should press the timer button (C) to select the desired time for the device to switch off. After the timer is set, the time will be displayed for 5 sec and the "Hr" indicator (C1) turns on. The device will switch off automatically after set up time passed.

The timer range is from 1 to 24 hours with a 1-hour interval.

6. Additional fan mode button (D) should be pressed to active or reactive air circulation in addition to fan operation. When this fan mode is

switch on for extra air circulation the dehumidification mode is switch off.

7. Child lock button (E) should be pressed and hold for 3 seconds to hear the sound confirming enter the buttons to lock state, at this time pressing any button is invalid. The child lock button is light up at this time also. To switch off the buttons lock state press the child lock button (E) again and hold it for 3 seconds to hear the sound confirming cancel the buttons lock state.

8. Fan speed button (F) can be operated when the device is switched to fan mode (D) or ordinary dehumidification mode (B1). Press the fan speed button (F) to select between low speed or high speed. The suitable indicator will be light up (F1 or F2).

9. Sleep mode button (G) should be pressed to switch off all other indicators lights except sleep mode. Press any button to see earlier set up functions at control panel. After 5 seconds, the operation of sleep mode will be continued. To cancel sleep mode press the sleep mode button (G) again.

10. Press the power switch (A) again to turn off the device, the unit machine stops running.

Water tank service

1. If the water tank (3) is full or the water tank (3) isn't installed in correct position then, the full water tank indication (K) lights up at control panel (1). The device will give repeated alarm sounds, the humidity indicator light (10) starts to flashing in red color.

2. When the full water tank indicator light (K) is flashing, the compressor installed inside the machine stops so that it does not condense water until the water tank is empty or set in the correct position, but the fan continues to run.

3. To remove the water tank (3) please do hold the water tank sides and pull out. Do not dismantle the floater (6) from the water tank (3). Look at picture 3.

4. To empty the water tank (3), tilt it as shown at picture 5 and drain the water slowly. Then reinstall the water tank (3) in the dehumidifier.

Continuous drainage function

1. If you need to dehumidify the air for a long time, you can use the continuous drainage function.

2. Pull the rubber plug (11), then insert the attached continuous drain hose (7) as on picture 2.

3. After ending the continuous draining, replace the rubber plug (11) and switch off the device.

Continuous drain hose: length: 30 cm, internal diameter: 17 mm, external diameter: 19 mm.

Cleaning and Maintenance

1. Turn off the unit and disconnect the power plug before starting any cleaning or other routine maintenance.
2. To avoid the risk of electric shock, never sprinkle or spill water on the dehumidifier when cleaning.
3. Turn off the device and empty the water out of the water tank before moving the device. Be sure to hold the handle while moving.
4. Wipe up the housing o device with wet cloth.
5. Don't dismantle the floater (6) from the water tank (3).
6. Prior to planned continuous operation for a long duration, periodical checking is required especially for the net air filter (8), active carbon filter (12) and the drain hose (7), or the like.
7. To clean or replace the filters:
 - disconnect the plug and take out the water tank (3),
 - remove the filter housing (9) as shown in figure 4,
 - remove the mesh filter (8) from the housing and gently remove the activated carbon filter (12)
 - clean both filters every two weeks with a vacuum cleaner. Dehumidification performance may decrease when the filters are clogged with debris.
 - put the filters inside the filter housing (9) and put them into the device housing.
8. Don't clean the device with gasoline, thinner or liquid detergent.

TECHNICAL DATA:

Dehumidify capacity at 30°C / 80% RH): 10 liters / 24 hours

Dehumidify capacity at 27°C / 60% RH): 5 liters / 24 hours

Noise level: <= 45dB

Water tank capacity: 2,2 liters

Air flow: 120 m3 / hour

R290 coolant weight: max. 35 grams

Ratted Input Power: 200W

Max. Ratted Input Power: 245W

Power supply: 220-240V ~50Hz



Caution, risk of fire.

Do NOT pierce or burn.

Be aware that the refrigerant may not contain an odour.

The maximum refrigerant charge amount: 35g.



Please transfer cardboard packaging to waste paper. Pour the polyethylene bags (PE) into the plastic container
Worn device should be returned to the appropriate point storage because it is dangerous in the device
ingredients may pose a threat to the environment. The electrical device should be handed over to limit
its reuse and use. If in the device there are batteries you have to take out and give to the point stored separately.

DEUTSCH

ALLGEMEINE SICHERHEITSVORSCHRIFTEN WICHTIGE SICHERHEITSHINWEISE SORGFÄLTIG DURCHLESEN UND FÜR DIE ZUKUNFT AUFBEWAHREN

1. Lesen Sie vor dem Gebrauch des Geräts die Bedienungsanleitung und befolgen Sie die darin enthaltenen Anweisungen. Der Hersteller haftet nicht für Schäden, die durch nicht bestimmungsgemäßen Gebrauch oder unsachgemäßen Betrieb des Gerätes verursacht werden.
2. Das Gerät ist nur für den Heimgebrauch bestimmt. Verwenden Sie es nicht für andere Zwecke, die nicht für den vorgesehenen Zweck bestimmt sind.
3. Das Gerät darf nur an eine Netzsteckdose mit 220-240 V ~ 50 Hz angeschlossen werden. Um die Betriebssicherheit zu erhöhen, sollten nicht mehrere elektrische Geräte gleichzeitig an einen Stromkreis angeschlossen werden.
4. Seien Sie äußerst vorsichtig, wenn Sie das Gerät in der Nähe von Kindern verwenden. Erlauben Sie Kindern nicht, mit dem Gerät zu spielen. Erlauben Sie Kindern oder Personen, die mit dem Gerät nicht vertraut sind, nicht, es zu benutzen.
5. **WARNUNG:** Dieses Gerät darf von Kindern über 8 Jahren und Personen mit eingeschränkten körperlichen, sensorischen oder geistigen Fähigkeiten oder Personen ohne Erfahrung oder Kenntnis des Geräts verwendet werden, wenn dies unter Aufsicht einer verantwortlichen Person erfolgt zu ihrer Sicherheit oder ihnen wurden Informationen über den sicheren Gebrauch des Geräts erteilt, und sie sind sich der Gefahren bei der Verwendung des Geräts bewusst. Kinder sollten nicht mit dem Gerät spielen. Die Reinigung und Wartung des Geräts darf nur von Kindern durchgeführt werden, die älter als 8 Jahre sind und diese Tätigkeiten unter Aufsicht ausführen.
6. Ziehen Sie nach dem Gebrauch immer den Netzstecker, indem Sie die Steckdose mit der Hand festhalten. NICHT am Netzkabel ziehen.
7. Tauchen Sie das Kabel, den Stecker und das gesamte Gerät nicht in Wasser oder andere Flüssigkeiten. Setzen Sie das Gerät keinen atmosphärischen Bedingungen aus (Regen, Sonne usw.) und verwenden Sie es nicht bei hoher Luftfeuchtigkeit (Badezimmer, feuchte Mobilheime).
8. Überprüfen Sie regelmäßig den Zustand des Netzkabels. Wenn das Netzkabel beschädigt ist, sollte es von einer Fachwerkstatt ausgetauscht werden, um Gefahren zu vermeiden.
9. Verwenden Sie das Gerät nicht mit einem beschädigten Netzkabel oder wenn es fallen gelassen oder auf andere Weise beschädigt wurde oder wenn es nicht richtig funktioniert. Reparieren Sie das Gerät nicht selbst, da die Gefahr eines Stromschlags besteht. Bringen Sie das beschädigte Gerät zur Überprüfung oder Reparatur zu einem geeigneten Servicecenter. Alle Reparaturen dürfen nur von autorisierten Servicestellen durchgeführt

werden. Durch unsachgemäße Reparaturen können ernsthafte Gefahren für den Benutzer entstehen.

10. Stellen Sie das Gerät auf eine kühle, stabile Oberfläche, entfernt von heißen Küchengeräten wie Elektroherd, Gasbrenner usw..
11. Stellen Sie sicher, dass nichts den Lufteinlass und -auslass des Geräts blockiert
12. Verwenden Sie das Gerät nur auf einer ebenen Fläche, damit kein Kondenswasser austreten kann
13. Um einen zusätzlichen Schutz zu gewährleisten, wird empfohlen, im Stromkreis einen Fehlerstromschutzschalter (RCD) mit einem Bemessungsfehlerstrom von nicht mehr als 30 mA zu installieren. Bitten Sie einen Elektriker darum.
14. Reinigen Sie den Luftfilter regelmäßig. Die Häufigkeit der Reinigung hängt von der Luftreinheit ab.
15. Warten Sie nach dem Ausschalten des Geräts mindestens 5 Minuten, bevor Sie es wieder einschalten.
16. Für eine effektive Entfeuchtung sollte ein Abstand von mindestens 20 cm zwischen den Seitenwänden der Geräte und den komprimierten Möbeln oder Vorhängen verwendet werden.
17. Sprühen Sie den Trockner nicht ein, um Brand- oder Explosionsgefahr zu vermeiden
18. Um die Gehäuseteile zu verwenden, platzieren Sie den Luftentfeuchter nicht in der Nähe von Heizgeräten.
19. Entfernen Sie das im Tank gesammelte Wasser. Das versehentliche Trinken von Wasser oder die Verwendung mit anderen Personen kann zu Krankheiten führen.
20. Unterstützt keine Geräte, bei denen die hintere Abdeckung aufgrund beweglicher und heißer Teile entfernt wurde.
21. Verwenden Sie keine anderen Mittel als die vom Hersteller empfohlenen, um den Auftau- oder Betriebsprozess durchzuführen.
22. Das Gerät sollte als Teil einer permanenten Liste von Zündquellen verfügbar sein, d. H. Ohne offene Flamme, ohne Arbeitsgasgerät oder ohne Heizgerät für Arbeitsgeräte.
23. Nicht durchstechen oder rauchen.
24. Bitte beachten Sie, dass Kältehersteller möglicherweise keinen Duft enthalten.

Vor dem ersten Gebrauch:

1. Der Luftentfeuchter muss auf einer ebenen und stabilen Oberfläche verwendet werden. Halten Sie die Abstände zwischen dem Gerät und anderen Objekten gemäß Bild 1 ein, um eine angemessene Effizienz sicherzustellen. Schließen Sie alle Fenster und Türen des Raums, in dem Sie die Luft entfeuchten möchten.
2. Um ein Gefrieren des Wassers zu verhindern, verwenden Sie den Luftentfeuchter und den Ablaufschlauch nicht bei Umgebungstemperaturen unter 0 ° C.
3. Verwenden Sie den Luftentfeuchter nicht im Freien. Direkte Sonneneinstrahlung oder Regen können zu Überhitzung, Stromschlag und Feuer führen.
4. Stellen Sie keinen Wassertank auf den Luftentfeuchter, um zu verhindern, dass Wasser in das Gerät gelangt und die Isolierung beschädigt wird.
5. Versuchen Sie niemals, den Luftentfeuchter für spezielle Zwecke zu verwenden, z. B. zum Entfeuchten von Lebensmitteln oder zur Konservierung von Kunstgegenständen oder dergleichen.
6. Verwenden Sie den Luftentfeuchter nicht, wenn Öl oder brennbares Gas austreten kann. Verwenden Sie das Gerät nicht an Orten, die Chemikalien ausgesetzt sind.
7. Stellen Sie für eine kontinuierliche Entleerung sicher, dass der Ablaufschlauch richtig geneigt ist.
8. Achten Sie darauf, dass ein Heizgerät nicht dem Wind des Luftentfeuchters ausgesetzt ist.

9. Verwenden Sie den Luftentfeuchter nicht als Stuhl oder Fußschemel.
 10. Entfernen Sie den Schwimmerhebel nicht vom Wassertank.
 11. Blockieren Sie nicht die Lufteinlässe und Luftauslässe.
 12. Decken Sie das Gerät nicht mit gewaschener Kleidung ab.
- Vor einem längeren Dauerbetrieb ist eine regelmäßige Überprüfung erforderlich, insbesondere für den Luftreinigungsfilter, den Ablaufschlauch oder dergleichen.

Produktbeschreibung: CR7851 Luftentfeuchter

- | | | |
|-------------------------------|--|----------------------|
| 1. Bedienfeld | 2. Lufteinlass | 3. Wassertank 2,2 l |
| 4. Lufteinlass | 5. Griff | 6. Schwimmer |
| 7. Ablaufschlauch | 8. Netzluftfilter | 9. Filtergehäuse |
| 10. Feuchtigkeitsanzeigelampe | 11. Gummistopfen für Entwässerungsfunktion | 12. Aktivkohlefilter |

- Schalttafel
- | | |
|--|---|
| A. Netzschalter | B. Modustaste |
| B1. Normale Anzeige für den Entfeuchtungsmodus | B2. Anzeige für kontinuierlichen Entfeuchtungsmodus |
| B3. Starke Anzeige für den Entfeuchtungsmodus | B4. Anzeige für den Wäschetrocknungsmodus |
| C. Timer 0-24 Stunden Taste | C1. Zeiteinheitsanzeige |
| D. Zusätzliche Taste / Anzeige für den Lüftermodus | E. Kindersicherungstaste / -anzeige |
| F. Taste für Lüftergeschwindigkeit | F1. Anzeige für niedrige Lüftergeschwindigkeit |
| F2. Anzeige für hohe Lüftergeschwindigkeit | G. Schlafmodus-Taste / Anzeige |
| H. Einstelltaste für Luftfeuchtigkeit 30-80% relative Luftfeuchtigkeit | H1. Anzeige der Feuchtigkeitseinheit |
| J. Abtaumodusanzeige | K. Anzeige für vollen Wassertank |
| L. Digitalanzeige von Luftfeuchtigkeit und Timer | |

Effizienz

1. Das Gerät taut automatisch in regelmäßigen Abständen entsprechend der Raumtemperatur ab.
 - a) Wenn die Raumtemperatur gleich oder höher als 24 ° C ist, wird das Abtauen gestoppt.
 - b) Wenn die Raumtemperatur zwischen 18 ° C und 24 ° C liegt, wird das Abtauen nach jeweils 120 Minuten Entfeuchtung 5 Minuten lang eingeschaltet.
 - c) Wenn die Raumtemperatur 12 ° C bis 18 ° C beträgt, wird das Abtauen nach jeweils 25 Minuten Entfeuchtung 5 Minuten lang eingeschaltet.
 - d) Wenn die Raumtemperatur 5 ° C bis 12 ° C beträgt, wird das Abtauen nach jeweils 20 Minuten Entfeuchtung 5 Minuten lang eingeschaltet.
2. Während des Abtauvorgangs kann die Entfeuchtungsfunktion unterbrochen werden.
3. Bitte schalten Sie den Schalter nicht aus und ziehen Sie den Netzstecker des Luftentfeuchters während des Abtauvorgangs nicht heraus.
4. Dieser Luftentfeuchter kann nicht verwendet werden, um extrem niedrige Temperaturen zu halten. Die Funktion dieses Luftentfeuchters besteht darin, die unangenehme, hohe Luftfeuchtigkeit abzupumpen.

Entfechtungskapazität

1. Dieser Luftentfeuchter hat keine Kühlfunktion. Es erzeugt während des Betriebs Wärme und erhöht die Raumtemperatur um 1-4 ° C.
2. Die tägliche Entfechtungskapazität des Luftentfeuchters hängt von der Raumtemperatur und der relativen Luftfeuchtigkeit ab. Bei unterschiedlichen Temperaturen und relativer Luftfeuchtigkeit kann es unterschiedliche Entfechtungskapazitäten haben.
3. Bei gleicher Raumtemperatur ist die Entfechtungskapazität bei höherer relativer Luftfeuchtigkeit höher und die Entfechtungskapazität bei niedrigerer relativer Luftfeuchtigkeit niedriger. Bei gleicher relativer Luftfeuchtigkeit ist die Entfechtungskapazität bei höheren Temperaturen höher und die Entfechtungskapazität bei niedrigeren Temperaturen niedriger.
4. Wenn der Luftentfeuchter in den Schrank gestellt wird, kann sich seine Entfechtungskapazität in kurzer Zeit nach dem Betrieb aufgrund der stark reduzierten Luftfeuchtigkeit im Schrank stark verringern.
5. Bei 5 ° C / 10 ° C / 15 ° C / 20 ° C / 25 ° C / 30 ° C Raumtemperatur und 80% relativer Luftfeuchtigkeit liegt die Entfechtungskapazität bei etwa 2/4/6/8/10 Liter Wasser bei vollständig geöffnetem Luftauslass.

Feuchtigkeitsanzeigelampe (10)

Während des Betriebs zeigt die Feuchtigkeitsanzeige das aktuelle Feuchtigkeitsniveau im Raum an:

- Blaue Farbe bedeutet niedrige Luftfeuchtigkeit unter 50% relativer Luftfeuchtigkeit
- Grüne Farbe bedeutet mittlere Luftfeuchtigkeit im Bereich von 51% bis 69% relativer Luftfeuchtigkeit
- Rote Farbe bedeutet hohe Luftfeuchtigkeit über 70% relative Luftfeuchtigkeit

Bitte beachten Sie, dass der relative Luftfeuchtigkeitswert eine Toleranz von 3% hat, wenn die entsprechende Anzeigelampe aufleuchtet.

Operation

1. Bitte stellen Sie die Maschineneinheit aufrecht auf, um Fehlbedienungen und ungewöhnliche Geräusche zu vermeiden. Halten Sie Abstände zwischen anderen Objekten ein, wie in Abbildung 1 gezeigt. Schließen Sie das Gerät an.
2. Der Netzschalter (A) am Bedienfeld (1) sollte gedrückt werden, um das Gerät einzuschalten. Die Digitalanzeige (L) zeigt die aktuelle

Luftfeuchtigkeit im Raum an.

3. Die Modustaste (B) sollte erneut gedrückt werden, um den gewünschten Betriebsmodus zu wählen zwischen:

B1. Gewöhnlicher Entfeuchtungsmodus

Wenn Sie diesen Modus wählen, leuchtet die Anzeige B1 auf.

B2. Kontinuierlicher Entfeuchtungsmodus

Wenn Sie diesen Modus wählen, leuchtet die Anzeige B2 auf.

B3. Starker Entfeuchtungsmodus

Wenn Sie diesen Modus wählen, leuchtet die Anzeige B3 auf.

B4. Wäschetrocknungsmodus

Wenn Sie diesen Modus wählen, leuchtet die Anzeige B4 auf.

4. Die Feuchtigkeitseinstellungstaste (H) sollte erneut gedrückt werden, um die gewünschte Raumfeuchtigkeit zwischen 30 und 80% mit einem Einstellfaktor von 5% einzustellen. Die Feuchtigkeitseinstellung ist nur im normalen Entfeuchtungsmodus (B1) gültig. Nach dem Einstellen der erforderlichen Raumfeuchtigkeit blinkt die Digitalanzeige (L), um sich daran zu erinnern, und das Gerät wird in Betrieb genommen. Als nächstes wird auf der Digitalanzeige (L) die aktuelle Raumfeuchtigkeit angezeigt. Die erforderliche Raumfeuchtigkeit muss auf ein niedrigeres Niveau als die derzeitige Raumfeuchtigkeit eingestellt werden, da das Gerät sonst nicht mit der Entfeuchtung beginnt.

Wenn die relative Luftfeuchtigkeit im Raum der zuvor auf dem Display eingestellten relativen Luftfeuchtigkeit entspricht, schaltet das Gerät den Kompressor automatisch aus, der Luftentfeuchter stoppt und nur der Lüfter funktioniert.

5. Die Timer-Taste (C) bietet zwei Funktionen:

DELAY START-Funktion

Der Timer kann eingestellt werden, wenn sich das Gerät im ausgeschalteten Zustand befindet. Drücken Sie die Timer-Taste (C): Die Anzeige „Hr“ (C1) an der LED-Anzeige leuchtet auf und „00“ erscheint auf der Digitalanzeige (L). Innerhalb von 5 Sekunden sollten Sie die Timer-Taste (C) drücken, um die gewünschte Zeit auszuwählen, zu der das Gerät eingeschaltet werden muss. Sobald der Timer eingestellt wurde, wird die Uhrzeit 5 Sekunden lang angezeigt und die Anzeige „Hr“ (C1) leuchtet. Das Gerät schaltet sich nach Ablauf der Einrichtungszeit automatisch ein.

Einstellen der Timer-AUS-Funktion - DELAY STOP

Die Timer-Aus-Funktion kann eingestellt werden, wenn sich das Gerät im Einschaltstatus befindet. Drücken Sie die Timer-Taste (C): Die Anzeige „Hr“ (C1) an der LED-Anzeige leuchtet auf und „00“ erscheint auf der Digitalanzeige (L). Innerhalb von 5 Sekunden sollten Sie die Timer-Taste (C) drücken, um die gewünschte Zeit für das Ausschalten des Geräts auszuwählen. Nach dem Einstellen des Timers wird die Uhrzeit 5 Sekunden lang angezeigt und die Anzeige „Hr“ (C1) leuchtet auf. Das Gerät schaltet sich nach Ablauf der Einrichtungszeit automatisch aus.

Der Timer-Bereich reicht von 1 bis 24 Stunden im Abstand von 1 Stunde.

6. Zusätzlich zum Lüfterbetrieb sollte die zusätzliche Lüftermodus-Taste (D) gedrückt werden, um eine aktive oder reaktive Luftzirkulation zu erreichen. Wenn dieser Lüftermodus für zusätzliche Luftzirkulation eingeschaltet ist, wird der Entfeuchtungsmodus ausgeschaltet.

7. Die Kindersicherungstaste (E) sollte 3 Sekunden lang gedrückt gehalten werden, um den Ton zu hören, der die Eingabe der Tasten zum Sperren bestätigt. Zu diesem Zeitpunkt ist das Drücken einer beliebigen Taste ungültig. Die Kindersicherungstaste leuchtet zu diesem Zeitpunkt ebenfalls auf. Um den Sperrzustand der Tasten auszuschalten, drücken Sie die Kindersicherungstaste (E) erneut und halten Sie sie 3 Sekunden lang gedrückt, um den Ton zu hören, der bestätigt, dass der Sperrzustand der Tasten aufgehoben wurde.

8. Die Lüftergeschwindigkeitstaste (F) kann betätigt werden, wenn das Gerät in den Lüftermodus (D) oder den normalen Entfeuchtungsmodus (B1) geschaltet wird. Drücken Sie die Lüftergeschwindigkeitstaste (F), um zwischen niedriger oder hoher Geschwindigkeit zu wählen. Die geeignete Anzeige leuchtet auf (F1 oder F2).

9. Die Schlafmodus-Taste (G) sollte gedrückt werden, um alle anderen Anzeigelampen außer dem Schlafmodus auszuschalten. Drücken Sie eine beliebige Taste, um frühere Einrichtungsfunktionen auf dem Bedienfeld anzuzeigen. Nach 5 Sekunden wird der Schlafmodus fortgesetzt. Um den Schlafmodus abzubrechen, drücken Sie erneut die Schlafmodus-Taste (G).

10. Drücken Sie den Netzschalter (A) erneut, um das Gerät auszuschalten. Die Maschine des Geräts läuft nicht mehr.

Wassertankservice

1. Wenn der Wassertank (3) voll ist oder der Wassertank (3) nicht in der richtigen Position installiert ist, leuchtet die Anzeige für den vollen Wassertank (K) am Bedienfeld (1) auf. Das Gerät gibt wiederholt Alarmtöne aus, die Feuchtigkeitsanzeige (10) beginnt rot zu blinken.
2. Wenn die Kontrollleuchte für den vollen Wassertank (K) blinkt, stoppt der in der Maschine installierte Kompressor, sodass er kein Wasser kondensiert, bis der Wassertank leer oder in die richtige Position gebracht ist, der Lüfter jedoch weiterläuft.
3. Um den Wassertank (3) zu entfernen, halten Sie bitte die Wassertankseiten fest und ziehen Sie heraus. Den Schwimmer (6) nicht vom Wassertank (3) abbauen. Schauen Sie sich Bild 3 an.
4. Um den Wassertank (3) zu entleeren, kippen Sie ihn wie in Abbildung 5 gezeigt und lassen Sie das Wasser langsam ab. Setzen Sie dann den Wassertank (3) wieder in den Luftentfeuchter ein.

Kontinuierliche Entwässerungsfunktion

1. Wenn Sie die Luft längere Zeit entfeuchten müssen, können Sie die kontinuierliche Entwässerungsfunktion verwenden.
2. Ziehen Sie am Gummistopfen (11) und führen Sie den angeschlossenen durchgehenden Ablaufschlauch (7) wie in Abbildung 2 gezeigt ein.
3. Setzen Sie nach Beendigung der kontinuierlichen Entleerung den Gummistopfen (11) wieder ein und schalten Sie das Gerät aus.

Durchlaufablaufschlauch: Länge: 30 cm, Innendurchmesser: 17 mm, Außendurchmesser: 19 mm.

Reinigung und Instandhaltung

1. Schalten Sie das Gerät aus und ziehen Sie den Netzstecker, bevor Sie mit der Reinigung oder anderen routinemäßigen

Wartungsarbeiten beginnen.

- Um die Gefahr eines Stromschlags zu vermeiden, streuen oder verschütten Sie beim Reinigen niemals Wasser auf den Luftentfeuchter.
- Schalten Sie das Gerät aus und entleeren Sie das Wasser aus dem Wassertank, bevor Sie das Gerät bewegen. Achten Sie darauf, den Griff während der Bewegung zu halten.
- Wischen Sie das Gehäuse des Geräts mit einem feuchten Tuch ab.
- Den Schwimmer (6) nicht vom Wassertank (3) abbauen.
- Vor dem geplanten Dauerbetrieb über einen längeren Zeitraum ist eine regelmäßige Überprüfung erforderlich, insbesondere für den Netzluftfilter (8), den Aktivkohlefilter (12) und den Ablaufschlauch (7) oder dergleichen.
- So reinigen oder ersetzen Sie die Filter:
 - Stecker abziehen und Wassertank (3) herausnehmen,
 - Entfernen Sie das Filtergehäuse (9) wie in Abbildung 4 gezeigt.
 - Entfernen Sie den Netzfilter (8) aus dem Gehäuse und entfernen Sie vorsichtig den Aktivkohlefilter (12).
 - Reinigen Sie beide Filter alle zwei Wochen mit einem Staubsauger. Die Entfeuchtungsleistung kann abnehmen, wenn die Filter mit Schmutz verstopft sind.
 - Setzen Sie die Filter in das Filtergehäuse (9) ein und setzen Sie sie in das Gerätegehäuse ein.
- Reinigen Sie das Gerät nicht mit Benzin, Verdüner oder Flüssigwaschmittel.

TECHNISCHE DATEN:

Entfeuchtungskapazität bei 30 ° C (80% rF): 10 Liter / 24 Stunden

Entfeuchtungskapazität bei 27 ° C (60% rF): 5 Liter / 24 Stunden

Geräuschpegel: <= 45 dB

Wassertankinhalt: 2,2 Liter

Luftstrom: 120 m³ / Stunde

R290 Kühlmittelgewicht: max. 35 Gramm

Ratted Eingangsleistung: 200W

Max. Ratted Eingangsleistung: 245W

Stromversorgung: 220-240 V ~ 50 Hz



Vorsicht, Brandgefahr.

NICHT durchstechen oder verbrennen.

Beachten Sie, dass das Kältemittel möglicherweise keinen Geruch enthält.

Die maximale Kältemittelfüllmenge: 35g.



Den Pappkarton im Altpapier entsorgen. Polyäthylenbeutel (PE) in dem Behälter für Kunststoff entsorgen. Das abgenutzte Gerät zum Recycling zu einer offiziellen Sammelstelle bringen, da es gefährliche Substanzen enthält, die die Umwelt gefährden können. Das Gerät sollte in einer Form abgegeben werden, die eine weitere Nutzung unmöglich macht. Wenn es Batterien enthält, sollten diese rausgenommen und separat an einer Sammelstelle abgegeben werden. Das Gerät darf nicht in den Hausmüll rausgeworfen werden!!!

FRANÇAIS

CONDITIONS GENERALES DE SECURITE

INSTRUCTIONS DE SÉCURITÉ IMPORTANTES À LIRE ATTENTIVEMENT ET À CONSERVER POUR L'AVENIR

- Avant d'utiliser l'appareil, lisez le mode d'emploi et suivez les instructions qu'il contient. Le fabricant n'est pas responsable des dommages résultant de l'utilisation contraire de l'appareil ou de son utilisation incorrecte.
- L'appareil est réservé à un usage domestique. Ne pas utiliser à d'autres fins que celles prévues.
- L'appareil ne doit être branché qu'à une prise secteur avec une tension de 220 240V ~ 50Hz mise à la terre. Pour augmenter la sécurité de fonctionnement, plusieurs appareils électriques ne doivent pas être connectés à un circuit de courant en même temps.
- Soyez extrêmement prudent lorsque vous utilisez l'appareil lorsque des enfants se trouvent à proximité. Ne laissez pas les enfants jouer avec l'appareil, n'autorisez pas les enfants ou des personnes inconnus à l'utiliser.
- AVERTISSEMENT:** Cet équipement peut être utilisé par des enfants de plus de 8 ans et des personnes ayant des capacités physiques, sensorielles ou mentales limitées, ou des personnes qui n'ont aucune expérience ou connaissance de l'équipement, si cela est fait sous la supervision d'une personne responsable. pour leur sécurité ou leur ont été donnés

des informations sur l'utilisation en toute sécurité de l'appareil et sont conscients des dangers de son utilisation. Les enfants ne doivent pas jouer avec l'équipement. Le nettoyage et l'entretien de l'appareil ne doivent pas être effectués par des enfants, sauf s'ils ont plus de 8 ans et que ces activités sont effectuées sous surveillance.

6. Débranchez toujours le cordon d'alimentation en tenant la prise avec votre main après utilisation. NE tirez PAS sur le cordon d'alimentation.

7. N'immergez pas le câble, la fiche et l'appareil dans l'eau ou tout autre liquide. N'exposez pas l'appareil à des conditions atmosphériques (pluie, soleil, etc.) et ne l'utilisez pas dans des conditions d'humidité élevée (salles de bains, maisons mobiles humides).

8. Vérifiez périodiquement l'état du cordon d'alimentation. Si le cordon d'alimentation est endommagé, il doit être remplacé par un atelier spécialisé afin d'éviter tout danger.

9. N'utilisez pas l'appareil avec un cordon d'alimentation endommagé, s'il est tombé ou s'il a été endommagé d'une autre manière ou s'il ne fonctionne pas correctement. Ne réparez pas l'appareil vous-même, vous risqueriez de vous électrocuter. Apportez le périphérique endommagé à un centre de service approprié pour vérification ou réparation. Toutes les réparations ne peuvent être effectuées que par des points de service autorisés. Des réparations effectuées incorrectement peuvent entraîner un grave danger pour l'utilisateur.

10. Placez l'appareil sur une surface fraîche et stable, loin des appareils de cuisine chauds tels que: cuisinière électrique, brûleur à gaz, etc.

11. Assurez-vous que rien ne bloque l'entrée et la sortie d'air de l'appareil.

12. Utilisez l'appareil uniquement sur une surface plane afin d'empêcher la condensation de se répandre

13. Pour assurer une protection supplémentaire, il est conseillé d'installer un dispositif à courant différentiel résiduel (RCD) dans le circuit électrique avec un courant résiduel nominal ne dépassant pas 30 mA. Demandez à un électricien pour cela.

14. Nettoyez le filtre à air régulièrement. La fréquence de nettoyage dépend de la propreté de l'air.

15. Après avoir éteint la machine, attendez au moins 5 minutes avant de la rallumer.

16. Pour une déshumidification efficace, un espace d'au moins 20 cm doit être utilisé entre les parois latérales des appareils et les meubles ou rideaux compressés.

17. Pour éviter tout risque d'incendie ou d'explosion, ne vaporisez pas le sèche-linge

18. Pour utiliser les pièces du boîtier, ne placez pas le déshumidificateur à proximité d'appareils de chauffage.

19. Retirez l'eau recueillie dans le réservoir. La consommation accidentelle d'eau ou son utilisation avec d'autres personnes peut provoquer des maladies.

20. Ne prend pas en charge les appareils dont le capot arrière a été retiré en raison de pièces mobiles et chaudes.

21. N'utilisez aucun moyen de décongélation ou de fonctionnement autre que ceux recommandés par le fabricant.

22. L'appareil devrait être disponible dans le cadre d'une liste permanente de sources d'inflammation, c'est-à-dire sans flamme nue, sans appareil à gaz en état de marche ou

sans chauffage d'appareil en état de marche.

23. Ne percez pas et ne fumez pas.

24. Veuillez noter que les fabricants de réfrigérateurs peuvent ne pas contenir de parfum.

Avant la première utilisation:

1. Le déshumidificateur doit être utilisé sur une surface plane et stable, gardez les distances entre l'unité et les autres objets conformément à l'image 1 pour assurer une efficacité appropriée. Fermez toutes les fenêtres et portes de la pièce dont vous souhaitez déshumidifier l'air.
 2. Pour éviter que l'eau ne gèle, n'utilisez pas le déshumidificateur et le tuyau de vidange à une température ambiante inférieure à 0 ° C
 3. N'utilisez pas le déshumidificateur à l'extérieur. L'exposition à la lumière directe du soleil ou à la pluie peut entraîner une surchauffe, un choc électrique et un incendie.
 4. Ne placez pas de réservoir d'eau sur le déshumidificateur pour éviter tout déversement d'eau à l'intérieur de l'unité et détériorer l'isolation.
 5. N'essayez jamais d'utiliser le déshumidificateur à des fins spéciales, telles que la déshumidification des aliments ou la conservation d'objets d'art ou autres.
 6. N'utilisez pas le déshumidificateur là où une fuite d'huile ou de gaz inflammable peut se produire. N'utilisez pas l'appareil dans des endroits soumis à des produits chimiques.
 7. Pour une vidange continue, assurez-vous que le tuyau de vidange est correctement réglé avec la pente.
 8. Veillez à ce qu'un appareil de chauffage ne soit pas exposé au vent du déshumidificateur.
 9. N'utilisez pas le déshumidificateur comme chaise ou tabouret.
 10. Ne retirez pas le levier du flotteur du réservoir d'eau.
 11. N'obstruez pas les entrées d'air et les sorties d'air.
 12. Ne couvrez pas l'appareil avec des vêtements lavés.
- Avant un fonctionnement continu pendant une longue durée, une vérification périodique est nécessaire, en particulier pour le filtre à air pur, le tuyau de vidange ou similaire.

Description du produit: Déshumidificateur d'air CR7851

- | | |
|--|--------------------------------|
| 1. Panneau de commande | 2. Entrée d'air |
| 3. Réservoir d'eau 2,2L | 4. Sortie d'air |
| 5. Poignée | 6. Flotteur |
| 7. Tuyau de vidange | 8. Filtre à air en maille |
| 9. Boîtier du filtre | 10. Témoin lumineux d'humidité |
| 11. Bouchon en caoutchouc pour la fonction de drainage | 12. Filtre à charbon actif |

Panneau de commande

- | | |
|---|--|
| A. Bouton d'alimentation | B. Bouton de mode |
| B1. Indicateur de mode de déshumidification ordinaire | B2. Indicateur de mode de déshumidification continue |
| B3. Indicateur de mode de déshumidification puissant | B4. Indicateur du mode de séchage des vêtements |
| C. Bouton de minuterie 0-24 heures | C1. Indicateur d'unité de temps |
| D. Bouton / indicateur de mode de ventilation supplémentaire | E. Bouton / indicateur de verrouillage pour enfants |
| F. Bouton de vitesse du ventilateur | F1. Indicateur de faible vitesse du ventilateur |
| F2. Indicateur de vitesse élevée du ventilateur | G. Bouton / indicateur de mode veille |
| H. Bouton de réglage de l'humidité 30-80% d'humidité relative | H1. Indicateur d'unité d'humidité |
| J. Indicateur de mode de dégivrage | K. Indicateur de réservoir d'eau plein |
| L. Affichage numérique de l'humidité et de la minuterie | |
- Efficacité

1. L'appareil procède automatiquement à un dégivrage à intervalles réguliers en fonction de la température ambiante.
 - a) Si la température ambiante est égale ou supérieure à 24 ° C, le dégivrage est arrêté.
 - b) Si la température ambiante est comprise entre 18 ° C et 24 ° C, le dégivrage est activé pendant 5 minutes toutes les 120 minutes de déshumidification.
 - c) Si la température ambiante est comprise entre 12 ° C et 18 ° C, le dégivrage est activé pendant 5 minutes toutes les 25 minutes de déshumidification.
 - d) Si la température ambiante est comprise entre 5 ° C et 12 ° C, le dégivrage est activé pendant 5 minutes toutes les 20 minutes de déshumidification.
2. Pendant l'opération de dégivrage, la fonction de déshumidification peut être interrompue.
3. Veuillez ne pas éteindre l'interrupteur ou retirer la fiche d'alimentation du déshumidificateur pendant l'opération de dégivrage.
4. Ce déshumidificateur ne peut pas être utilisé pour maintenir une température extrêmement basse. La fonction de ce déshumidificateur est de pomper l'humidité désagréable et élevée.

Capacité de déshumidification

1. Ce déshumidificateur n'a pas de fonction de refroidissement. Il produira de la chaleur pendant le fonctionnement et augmentera la température ambiante de 1 à 4 ° C.

- La capacité de déshumidification quotidienne du déshumidificateur dépend de la température ambiante et de l'humidité relative. À différentes températures et humidité relative, il peut avoir une capacité de déshumidification différente.
- Dans la même température ambiante, la capacité de déshumidification est plus élevée avec une humidité relative plus élevée et la capacité de déshumidification est plus faible avec une humidité relative plus faible. Dans la même humidité relative, la capacité de déshumidification est plus élevée à une température plus élevée et la capacité de déshumidification est inférieure à une température plus basse.
- Si le déshumidificateur est placé dans l'armoire, sa capacité de déshumidification peut fortement diminuer dans un court laps de temps après son fonctionnement en raison de l'humidité dans l'armoire a été fortement réduite.
- Pour 5 ° C / 10 ° C / 15 ° C / 20 ° C / 25 ° C / 30 ° C de température ambiante et 80% d'humidité relative, la capacité de déshumidification est respectivement d'environ 2/4/6/8/10 litres d'eau lorsque la sortie d'air est complètement ouverte.

Témoin lumineux d'humidité (10)

Pendant le fonctionnement, le voyant d'indication d'humidité indique le niveau d'humidité actuel dans la pièce:

- La couleur bleue signifie une faible humidité inférieure à 50% d'humidité relative
- La couleur verte signifie une humidité moyenne comprise entre 51% et 69% d'humidité relative
- La couleur rouge signifie une humidité élevée supérieure à 70% d'humidité relative

Veuillez noter que la valeur d'humidité relative a une tolérance de 3% lorsque le voyant correspondant s'allume.

Opération

- Veuillez placer l'unité de la machine à la verticale pour éviter un mauvais fonctionnement et un son inhabituel. Gardez les distances entre les autres objets comme indiqué sur l'image 1. Branchez l'appareil.
- L'interrupteur d'alimentation (A) du panneau de commande (1) doit être enfoncé pour mettre l'appareil sous tension. L'affichage numérique (L) indiquera le niveau d'humidité actuel dans la pièce.
- Le bouton de mode (B) doit être pressé à nouveau pour choisir le mode de fonctionnement souhaité entre:
 - Mode de déshumidification ordinaire
Lorsque vous choisissez ce mode, l'indicateur B1 s'allume.
 - Mode de déshumidification continue
Lorsque vous choisissez ce mode, l'indicateur B2 s'allume.
 - Mode de déshumidification puissant
Lorsque vous choisissez ce mode, l'indicateur B3 s'allume.
 - Mode de séchage des vêtements
Lorsque vous choisissez ce mode, l'indicateur B4 s'allume.
- Le bouton de réglage de l'humidité (H) doit être à nouveau enfoncé pour régler l'humidité de la pièce souhaitée entre 30 et 80% avec un facteur de réglage de 5%. Le réglage d'humidité n'est valide qu'en mode de déshumidification ordinaire (B1). Après avoir configuré l'humidité ambiante requise, l'affichage numérique (L) clignote pour s'en souvenir et l'appareil commence à fonctionner. Ensuite, sur l'affichage numérique (L), l'humidité ambiante actuelle est affichée. Il est nécessaire de régler l'humidité ambiante requise à un niveau inférieur à l'humidité ambiante actuelle, sinon l'appareil ne démarrera pas la déshumidification. Lorsque l'humidité relative dans la pièce est égale au niveau d'humidité relative précédemment réglé sur l'écran, l'appareil éteindra automatiquement le compresseur, le déshumidificateur s'arrêtera, seul le ventilateur fonctionnera.

- Le bouton de minuterie (C) exécute deux fonctions:

Fonction DELAY START

La minuterie peut être réglée lorsque l'appareil est en état d'arrêt. Appuyez sur le bouton de la minuterie (C): l'indicateur «Hr» (C1) de l'affichage LED s'allume et «00» apparaît sur l'affichage numérique (L); dans les 5 secondes, vous devez appuyer sur le bouton de la minuterie (C) pour sélectionner l'heure souhaitée à laquelle l'appareil doit s'allumer. Une fois la minuterie réglée, l'heure sera affichée pendant 5 secondes, l'indicateur «Hr» (C1) s'allumera. L'appareil s'allumera automatiquement une fois le temps de configuration écoulé.

Réglage de la fonction Timer OFF - DELAY STOP

La fonction d'arrêt de la minuterie peut être réglée lorsque l'appareil est en état d'allumage. Appuyez sur la touche Timer (C): l'indication «Hr» (C1) de l'affichage LED s'allume et «00» apparaît sur l'afficheur numérique (L); dans les 5 secondes, vous devez appuyer sur le bouton de la minuterie (C) pour sélectionner l'heure à laquelle l'appareil doit s'éteindre. Une fois la minuterie réglée, l'heure s'affiche pendant 5 secondes et l'indicateur «Hr» (C1) s'allume. L'appareil s'éteint automatiquement une fois le temps de configuration écoulé. La plage de minuterie est de 1 à 24 heures avec un intervalle d'une heure.

- Le bouton de mode de ventilation supplémentaire (D) doit être enfoncé pour activer ou désactiver la circulation d'air en plus du fonctionnement du ventilateur. Lorsque ce mode de ventilation est activé pour une circulation d'air supplémentaire, le mode de déshumidification est désactivé.
- Le bouton de verrouillage pour enfants (E) doit être maintenu enfoncé pendant 3 secondes pour entendre le son confirmant la saisie des boutons pour verrouiller l'état, à ce moment, le fait d'appuyer sur n'importe quel bouton est invalide. Le bouton de verrouillage enfant est également allumé à ce moment. Pour désactiver le verrouillage des boutons, appuyez à nouveau sur le bouton de verrouillage enfant (E) et maintenez-le enfoncé pendant 3 secondes pour entendre le son confirmant l'annulation de l'état de verrouillage des boutons.
- Le bouton de vitesse du ventilateur (F) peut être utilisé lorsque l'appareil est mis en mode ventilateur (D) ou en mode déshumidification ordinaire (B1). Appuyez sur le bouton de vitesse du ventilateur (F) pour choisir entre une vitesse lente ou une vitesse élevée. L'indicateur approprié s'allumera (F1 ou F2).
- Le bouton de mode veille (G) doit être enfoncé pour éteindre tous les autres voyants, à l'exception du mode veille. Appuyez sur n'importe quel bouton pour voir les fonctions de configuration précédentes sur le panneau de commande. Après 5 secondes, le fonctionnement du

mode veille se poursuivra. Pour annuler le mode veille, appuyez à nouveau sur le bouton du mode veille (G).

10. Appuyez à nouveau sur l'interrupteur d'alimentation (A) pour éteindre l'appareil, la machine de l'unité s'arrête de fonctionner.

Service de réservoir d'eau

1. Si le réservoir d'eau (3) est plein ou si le réservoir d'eau (3) n'est pas installé dans la bonne position, l'indication du réservoir d'eau plein (K) s'allume sur le panneau de commande (1). L'appareil émettra des sons d'alarme répétés, le voyant d'humidité (10) se mettra à clignoter en rouge.
2. Lorsque le voyant du réservoir d'eau plein (K) clignote, le compresseur installé à l'intérieur de la machine s'arrête pour ne pas condenser l'eau jusqu'à ce que le réservoir d'eau soit vide ou réglé dans la bonne position, mais le ventilateur continue de fonctionner.
3. Pour retirer le réservoir d'eau (3), tenez les côtés du réservoir d'eau et retirez-le. Ne démontez pas le flotteur (6) du réservoir d'eau (3). Regardez l'image 3.
4. Pour vider le réservoir d'eau (3), inclinez-le comme indiqué sur l'image 5 et vidangez lentement l'eau. Ensuite, réinstallez le réservoir d'eau (3) dans le déshumidificateur.

Fonction de drainage continu

1. Si vous devez déshumidifier l'air pendant une longue période, vous pouvez utiliser la fonction de drainage continu.
 2. Tirez le bouchon en caoutchouc (11), puis insérez le tuyau de vidange continu (7) comme sur l'image 2.
 3. Après avoir terminé la vidange continue, remplacez le bouchon en caoutchouc (11) et éteignez l'appareil.
- Tuyau de vidange continu: longueur: 30 cm, diamètre intérieur: 17 mm, diamètre extérieur: 19 mm.

Nettoyage et entretien

1. Éteignez l'appareil et débranchez la fiche d'alimentation avant de commencer tout nettoyage ou tout autre entretien de routine.
2. Pour éviter tout risque d'électrocution, ne saupoudrez ou ne renversez jamais d'eau sur le déshumidificateur lors du nettoyage.
3. Éteignez l'appareil et videz l'eau du réservoir d'eau avant de déplacer l'appareil. Assurez-vous de tenir la poignée pendant le déplacement.
4. Essuyez le boîtier de l'appareil avec un chiffon humide.
5. Ne démontez pas le flotteur (6) du réservoir d'eau (3).
6. Avant un fonctionnement continu planifié pendant une longue durée, une vérification périodique est nécessaire en particulier pour le filtre à air net (8), le filtre à charbon actif (12) et le tuyau de vidange (7), ou similaire.
7. Pour nettoyer ou remplacer les filtres:
 - débrancher la fiche et retirer le réservoir d'eau (3),
 - retirer le boîtier du filtre (9) comme indiqué sur la figure 4,
 - retirer le filtre à mailles (8) du boîtier et retirer délicatement le filtre à charbon actif (12)
 - nettoyez les deux filtres toutes les deux semaines avec un aspirateur. Les performances de déshumidification peuvent diminuer lorsque les filtres sont obstrués par des débris.
 - mettre les filtres à l'intérieur du boîtier de filtre (9) et les mettre dans le boîtier de l'appareil.
8. Ne nettoyez pas l'appareil avec de l'essence, un diluant ou un détergent liquide.

DONNÉES TECHNIQUES:

Capacité de déshumidification à 30 ° C / 80% HR: 10 litres / 24 heures

Capacité de déshumidification à 27 ° C / 60% HR: 5 litres / 24 heures

Niveau sonore: <= 45dB

Capacité du réservoir d'eau: 2,2 litres

Débit d'air: 120 m3 / heure

Poids du réfrigérant R290: max. 35 grammes

Puissance d'entrée nominale: 200 W

Max. Puissance d'entrée nominale: 245 W

Alimentation: 220-240V ~ 50Hz



Respect de l'environnement. Nous vous prions de bien vouloir trier les emballages en carton ainsi que les sachets plastiques (en polyéthylène). L'appareil usagé ne doit pas être jeté à la poubelle mais remis au point de collecte prévu à cet effet car il contient des éléments pouvant être nocifs pour l'environnement. L'appareil électrique doit être remis de manière à limiter au maximum une éventuelle utilisation ultérieure. Si l'appareil contient des piles, il faut les retirer et les remettre à un autre point de collecte.

Ne pas jeter l'appareil dans une poubelle de déchets ménagers !!!



Attention, risque d'incendie.

NE PAS percer ni brûler.

Sachez que le réfrigérant peut ne pas contenir d'odeur.

La quantité maximale de charge de réfrigérant: 35g.



ESPAÑOL

CONDICIONES GENERALES DE SEGURIDAD INSTRUCCIONES DE SEGURIDAD IMPORTANTES LEA CUIDADOSAMENTE Y AHORRE POR FUTURO

1. Antes de usar el dispositivo, lea el manual de operación y siga las instrucciones contenidas en él. El fabricante no se hace responsable de los daños causados por el uso

del dispositivo contrario a su propósito previsto u operación incorrecta.

2. El dispositivo es solo para uso doméstico. No lo use para otros fines que no sean para los fines previstos.

3. El dispositivo solo debe conectarse a un tomacorriente de CA con una conexión a tierra de 220 240V ~ 50Hz. Para aumentar la seguridad operativa, no se deben conectar varios dispositivos eléctricos a un circuito de corriente al mismo tiempo.

4. Tenga mucho cuidado al usar el dispositivo cuando haya niños cerca. No permita que los niños jueguen con el dispositivo, no permita que lo usen niños o personas que no estén familiarizadas con el dispositivo.

5. ADVERTENCIA: Este equipo puede ser utilizado por niños mayores de 8 años y personas con capacidad física, sensorial o mental limitada, o personas que no tienen experiencia o conocimiento del equipo, si esto se hace bajo la supervisión de una persona responsable. por su seguridad o se les ha otorgado información sobre el uso seguro del dispositivo y son conscientes de los peligros de su uso. Los niños no deben jugar con el equipo. La limpieza y el mantenimiento del dispositivo no deben ser realizados por niños, a menos que tengan más de 8 años y estas actividades se realicen bajo supervisión.

6. Siempre desconecte el enchufe de alimentación sosteniendo el enchufe con la mano después de usarlo. NO tire del cable de alimentación.

7. No sumerja el cable, el enchufe y todo el dispositivo en agua o cualquier otro líquido. No exponga el dispositivo a condiciones atmosféricas (lluvia, sol, etc.) ni lo use en condiciones de alta humedad (baños, casas móviles húmedas).

8. Compruebe periódicamente el estado del cable de alimentación. Si el cable de alimentación está dañado, debe ser reemplazado por un taller de reparación especializado para evitar peligros.

9. No utilice el aparato con un cable de alimentación dañado o si se ha caído o dañado de alguna otra manera o si no funciona correctamente. No repare el dispositivo usted mismo, ya que existe el riesgo de descarga eléctrica. Lleve el dispositivo dañado a un centro de servicio apropiado para su revisión o reparación. Todas las reparaciones solo pueden llevarse a cabo en puntos de servicio autorizados. Las reparaciones realizadas incorrectamente pueden causar serios peligros para el usuario.

10. Coloque el dispositivo sobre una superficie fresca y estable, lejos de electrodomésticos de cocina calientes como: estufa eléctrica, quemador de gas, etc.

11. Asegúrese de que nada bloquee la entrada y salida de aire del dispositivo

12. Use el dispositivo solo en una superficie nivelada para evitar que se derrame la condensación

13. Para proporcionar protección adicional, es aconsejable instalar un dispositivo de corriente residual (RCD) en el circuito eléctrico con una corriente residual nominal que no exceda los 30 mA. Pregúntele a un electricista por esto.

14. Limpie el filtro de aire regularmente. La frecuencia de la limpieza depende de la limpieza del aire.

15. Después de apagar la máquina, espere al menos 5 minutos antes de volver a

encenderla.

16. Para una deshumidificación efectiva, se debe utilizar un espacio de al menos 20 cm entre las paredes laterales de los dispositivos y los muebles o cortinas comprimidos.
17. Para evitar el riesgo de incendio o explosión, no rocíe la secadora
18. Para usar las piezas de la carcasa, no coloque el deshumidificador cerca de dispositivos de calefacción.
19. Retire el agua recogida en el tanque. Tomar agua accidentalmente o usarla con otras personas puede causar enfermedades.
20. No admite dispositivos con la cubierta posterior retirada debido a piezas móviles y calientes.
21. No utilice ningún medio para llevar a cabo el proceso de descongelación u operación que no sean los recomendados por el fabricante.
22. El dispositivo debe estar disponible como parte de una lista permanente de fuentes de ignición, es decir, sin llama abierta, sin un dispositivo de gas en funcionamiento o sin un calentador de dispositivo en funcionamiento.
23. No perforar ni fumar.
24. Tenga en cuenta que los fabricantes de refrigeración no pueden contener fragancias.

Antes del primer uso:

1. El deshumidificador debe usarse en una superficie nivelada y estable, mantenga las distancias entre la unidad y otros objetos de acuerdo con la imagen 1 para garantizar una eficiencia adecuada. Cierre todas las ventanas y puertas de la habitación donde desee deshumidificar el aire.
2. Para evitar que el agua se congele, no use el deshumidificador ni la manguera de drenaje a una temperatura ambiente inferior a 0 ° C
3. No use el deshumidificador afuera. La exposición a la luz solar directa o la lluvia puede provocar sobrecalentamiento, descargas eléctricas e incendios.
4. No coloque el tanque de agua sobre el deshumidificador para evitar derrames de agua dentro de la unidad y deteriorar el aislamiento.
5. Nunca intente utilizar el deshumidificador para usos especiales, como la deshumidificación de alimentos o la preservación de objetos de arte, o similares.
6. No utilice el deshumidificador donde pueda tener lugar una fuga de aceite o gas inflamable. No utilice la unidad en lugares sujetos a productos químicos.
7. Para un drenaje continuo, asegúrese de que la manguera de drenaje esté ajustada correctamente con pendiente.
8. Tenga cuidado de que un aparato de calefacción no esté expuesto al viento del deshumidificador.
9. No utilice el deshumidificador como silla o reposapiés.
10. No retire la palanca del flotador del tanque de agua.
11. No bloquee las entradas de aire y las salidas de aire.
12. No cubra la unidad con ropa lavada.

Antes de la operación continua durante un período prolongado, se requiere una verificación periódica, especialmente para el filtro de limpieza de aire, la manguera de drenaje o similares.

Descripción del producto: Deshumidificador de aire Cr7851

- | | |
|--|-------------------------------|
| 1. Panel de control | 2. Entrada de aire |
| 3. Depósito de agua 2,2L | 4. Salida de aire |
| 5. Mango | 6. Flotador |
| 7. Manguera de drenaje | 8. Filtro de aire de malla |
| 9. Carcasa del filtro | 10. Luz indicadora de humedad |
| 11. Tapón de goma para la función de drenaje | 12. Filtro de carbón activado |

Panel de control

- | | |
|--|---|
| A. Botón de encendido | B. Botón de modo |
| B1. Indicador de modo de deshumidificación ordinario | B2. Indicador de modo de deshumidificación continua |
| B3. Indicador de modo de deshumidificación fuerte | B4. Indicador de modo de secado de ropa |
| C. Botón del temporizador 0-24 horas | C1. Indicador de unidad de tiempo |
| D. Botón / indicador de modo de ventilador adicional | E. Botón / indicador de bloqueo para niños |
| F. Botón de velocidad del ventilador | F1. Indicador de baja velocidad del ventilador |
| F2. Indicador de velocidad alta del ventilador | G. Botón / indicador de modo de suspensión |

- H. Botón de ajuste de humedad 30-80% de humedad relativa
- J. Indicador de modo de descongelación
- L. Pantalla digital de humedad y temporizador.

- H1. Indicador de unidad de humedad
- K. Indicador de depósito de agua lleno

Eficiencia

1. El aparato realiza automáticamente la descongelación a intervalos regulares de acuerdo con la temperatura ambiente.
 - a) Si la temperatura ambiente es igual o superior a 24 ° C, se detiene la descongelación.
 - b) Si la temperatura ambiente es de 18 ° C -24 ° C, la descongelación se enciende durante 5 minutos después de cada 120 minutos de deshumidificación.
 - c) Si la temperatura ambiente es de 12 ° C -18 ° C, la descongelación se enciende durante 5 minutos después de cada 25 minutos de deshumidificación.
 - d) Si la temperatura ambiente es de 5 ° C -12 ° C, la descongelación se enciende durante 5 minutos después de cada 20 minutos de deshumidificación.
2. Durante la operación de descongelación, es posible que se interrumpa la función de deshumidificación.
3. No apague el interruptor ni desenchufe el cable de alimentación del deshumidificador durante la operación de descongelación.
4. Este deshumidificador no se puede aplicar para mantener temperaturas extremadamente bajas. La función de este deshumidificador es bombear la humedad alta y desagradable.

Capacidad deshumidificante

1. Este deshumidificador no tiene función de enfriamiento. Producirá calor durante la operación y aumentará la temperatura ambiente en 1-4 ° C.
2. La capacidad de deshumidificación diaria del deshumidificador depende de la temperatura ambiente y la humedad relativa. A diferentes temperaturas y humedad relativa, puede tener diferente capacidad de deshumidificación.
3. En la misma temperatura ambiente, la capacidad de deshumidificación es mayor a mayor humedad relativa y la capacidad de deshumidificación es menor a menor humedad relativa. En la misma humedad relativa, la capacidad de deshumidificación es mayor a mayor temperatura y la capacidad de deshumidificación es menor a menor temperatura.
4. Si el deshumidificador se coloca en el gabinete, su capacidad de deshumidificación puede reducirse considerablemente en un período corto después de su funcionamiento debido a que la humedad en el gabinete se ha reducido considerablemente.
5. Para 5 ° C / 10 ° C / 15 ° C / 20 ° C / 25 ° C / 30 ° C de temperatura ambiente y 80% de humedad relativa, la capacidad de deshumidificación es, respectivamente, alrededor de 2/4/6/8/10 litros de agua cuando la salida de aire está completamente abierta.

Luz indicadora de humedad (10)

Durante el funcionamiento, la luz indicadora de humedad muestra el nivel de humedad actual en la habitación:

- El color azul significa baja humedad por debajo del 50% de humedad relativa
- El color verde significa humedad media en el rango 51% - 69% de humedad relativa
- El color rojo significa alta humedad por encima del 70% de humedad relativa

Tenga en cuenta que el valor de humedad relativa tiene una tolerancia del 3% cuando se enciende la luz indicadora correspondiente.

Operación

1. Coloque la unidad de la máquina en posición vertical para evitar un funcionamiento incorrecto y un sonido inusual. Mantenga distancias entre otros objetos como se muestra en la imagen 1. Conecte el dispositivo.
2. Se debe presionar el interruptor de encendido (A) en el panel de control (1) para encender el dispositivo. La pantalla digital (L) mostrará el nivel de humedad actual en la habitación.
3. Se debe presionar nuevamente el botón de modo (B) para elegir el modo de operación deseado entre:
 - B1. Modo de deshumidificación ordinario
Cuando elija este modo, el indicador B1 se iluminará.
 - B2. Modo de deshumidificación continua
Cuando elija este modo, el indicador B2 se iluminará.
 - B3. Modo de deshumidificación fuerte
Cuando elija este modo, el indicador B3 se iluminará.
 - B4. Modo de secado de ropa
Cuando elija este modo, el indicador B4 se iluminará.
4. Se debe presionar nuevamente el botón de ajuste de humedad (H) para configurar la humedad ambiente deseada entre 30-80% con un factor de ajuste del 5%. El ajuste de humedad es válido únicamente en el modo de deshumidificación normal (B1). Después de configurar la humedad ambiente requerida, la pantalla digital (L) parpadeará para recordarla y el dispositivo comenzará a funcionar. A continuación, en la pantalla digital (L) se muestra la humedad ambiental actual. Es necesario configurar la humedad ambiente requerida a un nivel más bajo que la humedad ambiente actual; de lo contrario, el dispositivo no iniciará la deshumidificación. Cuando la humedad relativa en la habitación es igual al nivel de humedad relativa previamente establecido en la pantalla, el dispositivo apagará automáticamente el compresor, el deshumidificador se detendrá, solo funcionará el ventilador.
5. El botón del temporizador (C) opera dos funciones:

Función INICIO RETARDADO

El temporizador se puede configurar cuando el dispositivo está apagado. Presione el botón del temporizador (C); el indicador "Hr" (C1) en

la pantalla LED se enciende y "00" aparecerá en la pantalla digital (L); dentro de los 5 segundos, debe presionar el botón del temporizador (C) para seleccionar el tiempo deseado cuando el dispositivo debe encenderse. Una vez que se haya configurado el temporizador, el tiempo se mostrará durante 5 segundos, el indicador "Hr" (C1) se encenderá. El dispositivo se encenderá automáticamente una vez transcurrido el tiempo de configuración.

Configuración de la función Timer OFF - DELAY STOP

La función de temporizador de apagado se puede configurar cuando el dispositivo está encendido. Presione el botón del temporizador (C); la indicación "Hr" (C1) en la pantalla LED se enciende y aparece "00" en la pantalla digital (L); dentro de los 5 segundos, debe presionar el botón del temporizador (C) para seleccionar el tiempo deseado para que el dispositivo se apague. Una vez configurado el temporizador, el tiempo se mostrará durante 5 segundos y el indicador "Hr" (C1) se encenderá. El dispositivo se apagará automáticamente una vez transcurrido el tiempo de configuración.

El intervalo del temporizador es de 1 a 24 horas con un intervalo de 1 hora.

6. Se debe presionar el botón de modo de ventilador adicional (D) para la circulación de aire activa o reactiva además del funcionamiento del ventilador. Cuando este modo de ventilador está encendido para una circulación de aire adicional, el modo de deshumidificación se apaga.

7. El botón de bloqueo para niños (E) debe mantenerse presionado durante 3 segundos para escuchar el sonido que confirma que ingrese los botones para bloquear el estado; en este momento, presionar cualquier botón no es válido. El botón de bloqueo para niños también se ilumina en este momento. Para desactivar el estado de bloqueo de los botones, vuelva a presionar el botón de bloqueo para niños (E) y manténgalo presionado durante 3 segundos para escuchar el sonido que confirma la cancelación del estado de bloqueo de los botones.

8. El botón de velocidad del ventilador (F) se puede operar cuando el dispositivo se cambia al modo de ventilador (D) o al modo de deshumidificación normal (B1). Presione el botón de velocidad del ventilador (F) para seleccionar entre velocidad baja o alta. Se iluminará el indicador adecuado (F1 o F2).

9. Se debe presionar el botón de modo de suspensión (G) para apagar todas las demás luces indicadoras excepto el modo de suspensión.

Presione cualquier botón para ver las funciones de configuración anteriores en el panel de control. Después de 5 segundos, continuará el funcionamiento del modo de suspensión. Para cancelar el modo de suspensión, vuelva a presionar el botón del modo de suspensión (G).

10. Presione el interruptor de encendido (A) nuevamente para apagar el dispositivo, la máquina unitaria deja de funcionar.

Servicio de tanque de agua

1. Si el tanque de agua (3) está lleno o el tanque de agua (3) no está instalado en la posición correcta, la indicación de tanque de agua lleno (K) se enciende en el panel de control (1). El dispositivo emitirá repetidos sonidos de alarma, la luz indicadora de humedad (10) comienza a parpadear en color rojo.

2. Cuando la luz indicadora de tanque de agua lleno (K) parpadea, el compresor instalado dentro de la máquina se detiene para que no condense agua hasta que el tanque de agua esté vacío o en la posición correcta, pero el ventilador continúa funcionando.

3. Para quitar el tanque de agua (3), sostenga los lados del tanque de agua y sáquelo. No desmonte el flotador (6) del depósito de agua (3). Mira la imagen 3.

4. Para vaciar el depósito de agua (3), inclínelo como se muestra en la imagen 5 y drene el agua lentamente. Luego reinstale el tanque de agua (3) en el deshumidificador.

Función de drenaje continuo

1. Si necesita deshumidificar el aire durante mucho tiempo, puede utilizar la función de drenaje continuo.

2. Tire del tapón de goma (11), luego inserte la manguera de drenaje continuo adjunta (7) como se muestra en la imagen 2.

3. Una vez finalizado el drenaje continuo, vuelva a colocar el tapón de goma (11) y apague el dispositivo.

Manguera de desagüe continuo: longitud: 30 cm, diámetro interno: 17 mm, diámetro externo: 19 mm.

Limpieza y mantenimiento

1. Apague la unidad y desconecte el enchufe de alimentación antes de iniciar cualquier limpieza u otro mantenimiento de rutina.

2. Para evitar el riesgo de descarga eléctrica, nunca rocíe ni derrame agua sobre el deshumidificador al limpiarlo.

3. Apague el dispositivo y vacíe el agua del tanque de agua antes de mover el dispositivo. Asegúrese de sujetar la manija mientras se mueve.

4. Limpie la carcasa del dispositivo con un paño húmedo.

5. No desmonte el flotador (6) del depósito de agua (3).

6. Antes de la operación continua planificada durante un período prolongado, se requiere una verificación periódica especialmente para el filtro de aire de red (8), el filtro de carbón activo (12) y la manguera de drenaje (7), o similares.

7. Para limpiar o reemplazar los filtros:

- desconectar el enchufe y sacar el depósito de agua (3),

- quitar la carcasa del filtro (9) como se muestra en la figura 4,

- retire el filtro de malla (8) de la carcasa y retire con cuidado el filtro de carbón activo (12)

- Limpie ambos filtros cada dos semanas con una aspiradora. El rendimiento de la deshumidificación puede disminuir cuando los filtros están obstruidos con desechos.

- coloque los filtros dentro de la carcasa del filtro (9) e introdúzcalos en la carcasa del dispositivo.

8. No limpie el dispositivo con gasolina, disolvente o detergente líquido.

DATOS TÉCNICOS:

Capacidad de deshumidificación a 30 ° C / 80% RH): 10 litros / 24 horas

Capacidad de deshumidificación a 27 ° C / 60% RH): 5 litros / 24 horas

Nivel de ruido: <= 45dB

Capacidad del depósito de agua: 2,2 litros

Caudal de aire: 120 m³ / hora

Peso del refrigerante R290: máx. 35 gramos

Potencia de entrada ratificada: 200W

Max. potencia de entrada ratificada: 245W

Fuente de alimentación: 220-240V ~ 50Hz



Precaución, riesgo de incendio.

NO perforo ni quemo.

Tenga en cuenta que es posible que el refrigerante no tenga olor.

La cantidad máxima de carga de refrigerante: 35 g.



Preocupación por el medio ambiente. Por favor, lleva las cajas de cartón a un sitio de reciclaje. Las bolsas de polietileno se deben tirar al cubo de la basura amarillo (para envases). El equipo gastado debe ser entregado en el punto de almacenamiento adecuado, porque las piezas que constituyen el equipo pueden suponer un peligro para el medio ambiente. Debes entregar el equipo Hay que devolver el equipo eléctrico con el fin de evitar su reutilización. Si en el equipo se encuentran pilas, hay que sacarlas y entregar por separado, en un punto de almacenamiento adecuado. No tires el equipo al contenedor para residuos urbanos!!

PORTUGUÊS

CONDIÇÕES GERAIS DE SEGURANÇA

INSTRUÇÕES IMPORTANTES DE SEGURANÇA LEIA COM ATENÇÃO E SALVE PARA O FUTURO

1. Antes de usar o dispositivo, leia o manual de operação e siga as instruções nele contidas. O fabricante não se responsabiliza por danos causados pelo uso do dispositivo contrário ao seu objetivo ou operação incorreta.
2. O dispositivo é apenas para uso doméstico. Não use para outros fins que não sejam para o fim a que se destina.
3. O dispositivo deve ser conectado apenas a uma tomada CA com 220 240V ~ 50Hz aterrada. Para aumentar a segurança operacional, vários dispositivos elétricos não devem ser conectados a um circuito de corrente ao mesmo tempo.
4. Tenha muito cuidado ao usar o dispositivo quando houver crianças por perto. Não permita que crianças brinquem com o dispositivo, não permita que crianças ou pessoas não familiarizadas com o dispositivo o usem.
5. AVISO: Este equipamento pode ser usado por crianças acima de 8 anos de idade e pessoas com habilidades físicas, sensoriais ou mentais limitadas, ou pessoas que não têm experiência ou conhecimento do equipamento, se isso for feito sob a supervisão de uma pessoa responsável. por sua segurança ou tenham recebido informações sobre o uso seguro do dispositivo e estão cientes dos perigos de usá-lo. As crianças não devem brincar com o equipamento. A limpeza e manutenção do dispositivo não devem ser realizadas por crianças, a menos que tenham mais de 8 anos e essas atividades sejam realizadas sob supervisão.
6. Sempre desconecte o plugue de energia segurando o soquete com a mão após o uso. NÃO puxe pelo cabo de alimentação.
7. Não mergulhe o cabo, plugue e todo o dispositivo em água ou qualquer outro líquido. Não exponha o dispositivo a condições atmosféricas (chuva, sol, etc.) ou use em condições de alta umidade (banheiros, casas móveis úmidas).
8. Verifique periodicamente as condições do cabo de alimentação. Se o cabo de alimentação estiver danificado, ele deverá ser substituído por uma oficina especializada

para evitar perigos.

9. Não use o aparelho com um cabo de alimentação danificado ou se ele caiu ou foi danificado de qualquer outra maneira ou se não estiver funcionando corretamente. Não repare o dispositivo, pois existe o risco de choque elétrico. Leve o dispositivo danificado a um centro de serviço apropriado para verificação ou reparo. Todos os reparos podem ser realizados apenas por pontos de serviço autorizados. Reparos executados incorretamente podem causar sérios perigos ao usuário.

10. Coloque o dispositivo em uma superfície fria e estável, longe de utensílios de cozinha quentes, como: fogão elétrico, queimador de gás, etc.

11. Certifique-se de que nada esteja bloqueando a entrada e saída de ar do dispositivo

12. Use o dispositivo apenas em uma superfície nivelada para evitar que a condensação se espalhe

13. Para fornecer proteção adicional, é aconselhável instalar um dispositivo de corrente residual (RCD) no circuito elétrico com uma corrente residual nominal que não exceda 30mA. Peça a um eletricista para isso.

14. Limpe o filtro de ar regularmente. A frequência da limpeza depende da limpeza do ar.

15. Depois de desligar a máquina, aguarde pelo menos 5 minutos antes de ligá-la novamente.

16. Para uma desumidificação eficaz, deve-se usar um espaço de pelo menos 20 cm entre as paredes laterais dos dispositivos e os móveis ou cortinas comprimidos.

17. Para evitar o risco de incêndio ou explosão, não borrfite o secador

18. Para usar as peças da caixa, não coloque o desumidificador perto de dispositivos de aquecimento.

19. Remova a água coletada no tanque. Beber água acidentalmente ou usá-lo com outras pessoas pode causar doenças.

20. Não suporta dispositivos com a tampa traseira removida devido a peças quentes e em movimento.

21. Não use nenhum meio para realizar o processo de descongelamento ou operação que não seja o recomendado pelo fabricante.

22. O dispositivo deve estar disponível como parte de uma lista permanente de fontes de ignição, isto é, sem chama aberta, sem dispositivo de gás ativo ou sem aquecedor de dispositivo ativo.

23. Não fure ou fume.

24. Observe que os fabricantes de refrigeração não podem conter fragrâncias.

Antes da primeira utilização:

1. O desumidificador deve ser usado em uma superfície nivelada e estável, mantenha distâncias entre a unidade e outros objetos de acordo com a figura 1 para garantir uma eficiência adequada. Feche todas as janelas e portas da sala que você deseja desumidificar o ar.

2. Para evitar que a água congele, não use o desumidificador e a mangueira de drenagem em temperatura ambiente abaixo de 0 ° C

3. Não use o desumidificador externo. A exposição à luz solar direta ou chuva pode resultar em superaquecimento, choque elétrico e incêndio.

4. Não coloque o tanque de água no desumidificador para evitar derramamento de água dentro da unidade e deteriorar o isolamento.

5. Nunca tente usar o desumidificador para usos especiais, como desumidificação de alimentos ou preservação de objetos de arte, ou

similares.

6. Não use o desumidificador em locais onde possam ocorrer vazamentos de óleo ou gás inflamável. Não use a unidade em locais sujeitos a produtos químicos.

7. Para drenagem contínua, verifique se a mangueira de drenagem está ajustada corretamente com inclinação.

8. Cuidado para que um aparelho de aquecimento não seja exposto ao vento pelo desumidificador.

9. Não use o desumidificador como cadeira ou apoio para os pés.

10. Não remova a alavanca de flutuação do tanque de água.

11. Não bloqueie as entradas e saídas de ar.

12. Não cubra a unidade com roupas lavadas.

Antes da operação contínua por um longo período, é necessária uma verificação periódica, especialmente para o filtro de limpeza do ar, a mangueira de drenagem ou algo semelhante.

Descrição do produto: Desumidificador de ar CR7851

- | | |
|--|-------------------------------|
| 1. Painel de controle | 2. Entrada de ar |
| 3. Tanque de água 2,2L | 4. Saída de ar |
| 5. Alça | 6. Flutuador |
| 7. Mangueira de drenagem | 8. Filtro de ar de malha |
| 9. Invólucro do filtro | 10. Luz indicadora de umidade |
| 11. Tampão de borracha para função de drenagem | 12. Filtro de carvão ativado |

Painel de controle

- | | |
|--|---|
| A. Botão liga / desliga | B. Botão Modo |
| B1. Indicador do modo de desumidificação normal | B2. Indicador do modo de desumidificação contínua |
| B3. Indicador do modo de desumidificação forte | B4. Indicador do modo de secagem de roupas |
| C. Botão do temporizador 0-24 horas | C1. Indicador de unidade de tempo |
| D. Botão / indicador de modo de ventilador adicional | E. Botão / indicador de bloqueio infantil |
| F. Botão | F1 da velocidade do ventilador. Indicador de baixa velocidade do ventilador |
| F2. Indicador de alta velocidade do ventilador | G. Botão / indicador do modo de suspensão |
| H. Botão de configuração para umidade 30-80% de umidade relativa | H1. Indicador de unidade de umidade |
| J. Indicador do modo de degelo | K. Indicador do tanque de água cheio |
| L. Display digital de umidade e cronômetro | |

Eficiência

- O aparelho realiza a descongelamento automática em intervalos regulares de acordo com a temperatura ambiente.
- Se a temperatura ambiente for igual ou superior a 24 ° C, o degelo é interrompido.
- Se a temperatura ambiente for de 18 ° C -24 ° C, o degelo é acionado por 5 minutos a cada 120 minutos de desumidificação.
- Se a temperatura ambiente for de 12 ° C -18 ° C, o degelo é acionado por 5 minutos a cada 25 minutos de desumidificação.
- Se a temperatura ambiente for de 5 ° C -12 ° C, o degelo é acionado por 5 minutos a cada 20 minutos de desumidificação.
- Durante a operação de descongelamento, a função de desumidificação pode ser interrompida.
- Não desligue o interruptor nem retire a ficha do desumidificador durante a operação de descongelamento.
- Este desumidificador não pode ser aplicável para manter a temperatura extremamente baixa. A função deste desumidificador é bombear a umidade alta e desagradável.

Capacidade desumidificante

- Este desumidificador não tem função de resfriamento. Ele produzirá calor durante a operação e aumentará a temperatura ambiente em 1-4 ° C.
- A capacidade de desumidificação diária do desumidificador depende da temperatura ambiente e da umidade relativa. Em diferentes temperaturas e umidade relativa, pode ter diferentes capacidades de desumidificação.
- Na mesma temperatura ambiente, a capacidade de desumidificação é maior em umidade relativa mais alta e a capacidade de desumidificação é menor em umidade relativa mais baixa. Na mesma umidade relativa, a capacidade de desumidificação é maior em temperaturas mais altas e a capacidade de desumidificação é menor em temperaturas mais baixas.
- Se o desumidificador for colocado no gabinete, sua capacidade desumidificadora pode reduzir muito em um curto período após a operação, devido à umidade no gabinete ter sido muito reduzida.
- Para 5 ° C / 10 ° C / 15 ° C / 20 ° C / 25 ° C / 30 ° C de temperatura ambiente e 80% de umidade relativa, a capacidade de desumidificação é, respectivamente, em torno de 2/4/6/8/10 litros de água com a saída de ar totalmente aberta.

Luz indicadora de umidade (10)

Durante a operação, a luz indicadora de umidade mostra o nível de umidade atual na sala:

- A cor azul significa baixa umidade abaixo de 50% de umidade relativa
- A cor verde significa umidade média na faixa de 51% - 69% de umidade relativa
- A cor vermelha significa alta umidade acima de 70% de umidade relativa

Observe que o valor da umidade relativa tem tolerância de 3% quando acende a luz de indicação correspondente.

Operação

1. Por favor, coloque a unidade da máquina na posição vertical para evitar operação incorreta e sons incomuns. Mantenha distâncias entre outros objetos, como mostrado na figura 1. Conecte o dispositivo.
2. O botão liga / desliga (A) no painel de controle (1) deve ser pressionado para ligar o dispositivo. O display digital (L) mostrará o nível de umidade atual na sala.
3. O botão de modo (B) deve ser pressionado novamente para escolher o modo de operação desejado entre:
B1. Modo de desumidificação comum
Ao escolher este modo, o indicador B1 acenderá.
B2. Modo de desumidificação contínua
Ao escolher este modo, o indicador B2 acenderá.
B3. Modo de desumidificação forte
Ao escolher este modo, o indicador B3 acenderá.
B4. Modo de secagem de roupas
Ao escolher este modo, o indicador B4 acenderá.
4. O botão de configuração de umidade (H) deve ser pressionado novamente para configurar a umidade ambiente desejada entre 30-80% com fator de ajuste de 5%. A configuração de umidade é válida apenas no modo de desumidificação normal (B1). Após configurar a umidade necessária do ambiente, o display digital (L) piscará para lembrar e o dispositivo começará a operar. A seguir, no display digital (L), é mostrada a umidade atual da sala. É necessário configurar a umidade necessária do ambiente em um nível mais baixo do que a umidade atual do ambiente, caso contrário, o dispositivo não iniciará a desumidificação. Quando a umidade relativa da sala for igual ao nível de umidade relativa previamente ajustado no display, o aparelho desligará automaticamente o compressor, o desumidificador irá parar, apenas o ventilador funcionará.
5. O botão do temporizador (C) opera duas funções:

Função DELAY START

O cronômetro pode ser definido quando o dispositivo está no status desligado. Pressione o botão do temporizador (C); o indicador "Hr" (C1) no display LED acende e "00" aparecerá no display digital (L); dentro de 5 segundos, você deve pressionar o botão do temporizador (C) para selecionar o tempo desejado quando o dispositivo deve ser ligado. Uma vez que o temporizador tenha sido ajustado, o tempo será mostrado por 5 segundos, o indicador "Hr" (C1) ficará aceso. O dispositivo será ligado automaticamente após o tempo de configuração ter passado.

Configurando a função Timer OFF - DELAY STOP

A função temporizador desligado pode ser definida quando o dispositivo está no status ligado. Pressione o botão Timer (C); a indicação "Hr" (C1) no display LED acende e "00" aparece no display digital (L); dentro de 5 segundos, você deve pressionar o botão do cronômetro (C) para selecionar o tempo desejado para o dispositivo desligar. Depois que o temporizador for definido, o tempo será exibido por 5 segundos e o indicador "Hr" (C1) acenderá. O dispositivo desligará automaticamente após o tempo de configuração ter passado.

O intervalo do cronômetro é de 1 a 24 horas com um intervalo de 1 hora.

6. O botão de modo de ventilador adicional (D) deve ser pressionado para a circulação de ar ativa ou reativa, além da operação do ventilador. Quando este modo de ventilação é ligado para circulação de ar extra, o modo de desumidificação é desligado.
7. O botão de bloqueio para crianças (E) deve ser pressionado e mantido pressionado por 3 segundos para ouvir o som confirmando a entrada dos botões no estado de bloqueio, neste momento, pressionar qualquer botão é inválido. O botão de bloqueio para crianças também acende neste momento. Para desligar o bloqueio dos botões, pressione o botão de bloqueio para crianças (E) novamente e segure-o por 3 segundos para ouvir o som confirmando o cancelamento do estado de bloqueio dos botões.
8. O botão de velocidade do ventilador (F) pode ser operado quando o dispositivo é alternado para o modo de ventilador (D) ou modo de desumidificação normal (B1). Pressione o botão de velocidade do ventilador (F) para selecionar entre baixa ou alta velocidade. O indicador adequado acenderá (F1 ou F2).
9. O botão do modo de suspensão (G) deve ser pressionado para desligar todas as outras luzes indicadoras, exceto o modo de suspensão. Pressione qualquer botão para ver as funções de configuração anteriores no painel de controle. Após 5 segundos, a operação do modo de hibernação continuará. Para cancelar o modo de espera, pressione o botão de modo de espera (G) novamente.
10. Pressione o botão liga / desliga (A) novamente para desligar o dispositivo, a unidade da máquina para de funcionar.

Serviço de tanque de água

1. Se o tanque de água (3) estiver cheio ou se o tanque de água (3) não estiver instalado na posição correta, a indicação de tanque de água cheio (K) acenderá no painel de controle (1). O dispositivo emite sons de alarme repetidos, a luz indicadora de umidade (10) começa a piscar na cor vermelha.
2. Quando a luz indicadora do tanque de água cheio (K) pisca, o compressor instalado dentro da máquina para de forma que não condense água até que o tanque de água esteja vazio ou na posição correta, mas o ventilador continua a funcionar.
3. Para remover o tanque de água (3), segure as laterais do tanque de água e puxe-o para fora. Não desmonte o flutuador (6) do tanque de água (3). Veja a figura 3.
4. Para esvaziar o reservatório de água (3), incline-o conforme mostrado na figura 5 e escoe a água lentamente. Em seguida, reinstale o tanque de água (3) no desumidificador.

Função de drenagem contínua

1. Se precisar desumidificar o ar por um longo tempo, você pode usar a função de drenagem contínua.
2. Puxe o tampão de borracha (11) e, em seguida, insira a mangueira de drenagem contínua (7) como na figura 2.
3. Após encerrar a drenagem contínua, recoloque o tampão de borracha (11) e desligue o aparelho.

Mangureira de drenagem contínua: comprimento: 30 cm, diâmetro interno: 17 mm, diâmetro externo: 19 mm.

Limpeza e manutenção

1. Desligue a unidade e desconecte o plugue de alimentação antes de iniciar qualquer limpeza ou manutenção de rotina.
2. Para evitar o risco de choque elétrico, nunca borrife ou derrame água no desumidificador durante a limpeza.
3. Desligue o dispositivo e esvazie a água do tanque antes de mover o dispositivo. Certifique-se de segurar a alça enquanto se move.
4. Limpe a caixa do dispositivo com um pano úmido.
5. Não desmonte o flutuador (6) do tanque de água (3).
6. Antes da operação contínua planejada por um longo período, é necessária uma verificação periódica, especialmente para o filtro de ar líquido (8), filtro de carvão ativo (12) e mangueira de drenagem (7) ou semelhantes.
7. Para limpar ou substituir os filtros:
 - desligue a ficha e retire o depósito de água (3),
 - remova o compartimento do filtro (9) conforme mostrado na figura 4,
 - retire o filtro de rede (8) da carcaça e retire com cuidado o filtro de carvão ativado (12)
 - limpe ambos os filtros a cada duas semanas com um aspirador. O desempenho entupidos com detritos.
 - coloque os filtros na caixa do filtro (9) e coloque-os na caixa do aparelho.
8. Não limpe o dispositivo com gasolina, diluente ou detergente líquido.

DADOS TÉCNICOS:

Capacidade de desumidificação a 30 ° C / 80% UR): 10 litros / 24 horas

Capacidade de desumidificação a 27 ° C / 60% UR): 5 litros / 24 horas

Nível de ruído: <= 45dB

Capacidade do tanque de água: 2,2 litros

Fluxo de ar: 120 m³ / hora

Peso do refrigerante R290: máx. 35 gramas

Potência de entrada avaliada: 200W

Máx. Potência de entrada ratted: 245W

Fonte de alimentação: 220-240V ~ 50Hz



Cuidado, risco de incêndio.

NÃO fure ou queime.

Esteja ciente de que o refrigerante pode não conter odor.

A quantidade máxima de carga de refrigerante: 35g.



Proteção do meio ambiente. Rogamos, os embalagens de cartão destinem-se para papéis velhos. Os sacos de polietileno (PE) devem-se colocar em contenedores para material plástico. O dispositivo usado deve-se levar a um ponto de armazenamento adequado porque os componentes perigosos que ficam dentro do dispositivo podem ser perigosos para o meio ambiente. O dispositivo elétrico deve-se entregar de modo que se reduza a sua nova utilização e uso. Se no dispositivo há pilhas, devem-se tirar e levar a um ponto de armazenamento em separado. Não colocar o dispositivo em contenedores para resíduos municipais!!

LIETUVIŲ

BENDROSIS SAUGOS SAŲYGOS

SVARBIOS SAUGOS INSTRUKCIJOS ATSARGIAI

Perskaitykite ir išsaugokite ateičiai

1. Prieš naudodamiesi prietaisu, perskaitykite naudojimo vadovą ir vykdykite jame pateiktas instrukcijas. Gamintojas neatsako už žalą, padarytą naudojant įrenginį ne pagal paskirtį ar netinkamai naudojant.
2. Prietaisas skirtas naudoti tik namuose. Nenaudokite kitiems tikslams, kurie nėra numatyti.
3. Prietaisą reikia prijungti tik prie įžeminto 220 240 V ~ 50 Hz lizdo. Norint padidinti eksploataavimo saugą, keli elektros prietaisai neturėtų būti jungiami prie vienos srovės grandinės tuo pačiu metu.
4. Būkite ypač atsargūs naudodamiesi prietaisu, kai šalia yra vaikai. Neleiskite vaikams žaisti su šiuo prietaisu, neleiskite vaikams ar žmonėms, nepažįstamiems prietaiso, juo naudotis.
5. ĮSPĖJIMAS: Šia įranga gali naudotis vyresni nei 8 metų vaikai ir ribotų fizinių, jutimo ar protinių galimybių žmonės arba žmonės, neturintys patirties ar žinių apie įrangą, jei tai atliekama prižiūrint atsakingam asmeniui. jų saugumui ar jiems buvo suteikta informacija apie saugų prietaiso naudojimą ir žino apie jo naudojimo pavojus. Vaikai neturėtų žaisti su įranga. Valyti ir prižiūrėti prietaisą neturėtų vaikai, išskyrus tuos atvejus, kai jie yra vyresni nei

8 metų, o šios veiklos atliekamos prižiūrint.

6. Po naudojimo visada atjunkite maitinimo kištuką, laikydami už rankos lizdą.

NENUDIRKITE maitinimo laido.

7. Nemerkite laido, kištuko ir viso prietaiso į vandenį ar kitą skystį. Saugokite prietaisą nuo atmosferos sąlygų (lietaus, saulės ir pan.) Ir nenaudokite didelės drėgmės sąlygomis (vonios kambariai, drėgni mobilūs namai).

8. Periodiškai tikrinkite maitinimo laido būklę. Jei maitinimo laidas yra pažeistas, jį reikia pakeisti specializuotoje remonto dirbtuvėje, kad būtų išvengta pavojaus.

9. Nenaudokite prietaiso su pažeistu maitinimo laidu, jei jis buvo numestas ar kitaip pažeistas, arba jis veikia netinkamai. Netaisykite prietaiso patys, nes kyla elektros smūgio rizika. Nuvežkite sugadintą prietaisą į tinkamą aptarnavimo centrą patikrinti ar pataisyti. Visus remonto darbus gali atlikti tik įgalioti techninės priežiūros punktai. Neteisingai atliktas remontas gali sukelti rimtą pavojų vartotojui.

10. Padėkite prietaisą ant vėsių, stabilių paviršių, atokiau nuo karštų virtuvės prietaisų, tokių kaip: elektrinė viryklė, dujinis degiklis ir kt.

11. Įsitinkinkite, kad niekas neužstoja prietaiso oro įleidimo ir išleidimo angos

12. Naudokite prietaisą tik ant lygaus paviršiaus, kad nesusidarytų kondensatas

13. Norint užtikrinti papildomą apsaugą, patartina į elektros grandinę įmontuoti likutinės srovės įtaisą (RCD), kurio vardinė likutinė srovė neviršytų 30mA. Dėl to kreipkitės į elektriką.

14. Reguliariai valykite oro filtrą. Valymo dažnumas priklauso nuo oro švara.

15. Išjungę mašiną, prieš vėl įjungdami, palaukite bent 5 minutes.

16. Norint veiksmingai nusausinti drėgnumą, tarp prietaisų šoninių sienelių ir suspaustų baldų ar užuolaidų turėtų būti naudojamas ne mažesnis kaip 20 cm tarpas.

17. Kad išvengtumėte gaisro ar sprogimo pavojaus, nepurkškite džiovintuvo

18. Norėdami naudoti korpuso dalis, nedėkite sausintuvo šalia šildymo prietaisų.

19. Pašalinkite iš rezervuaro surinktą vandenį. Netyčia gerdamas vandenį ar vartodamas jį su kitais žmonėmis, gali susirgti.

20. Nepalaike prietaisų, kurių nuimtas galinis dangtis yra dėl judančių ir karštų dalių.

21. Atšildymui ar veikimui nenaudokite jokių kitų priemonių, išskyrus tas, kurias rekomenduoja gamintojas.

22. Prietaisą turėtų būti galima įsigyti kaip nuolatinio uždegimo šaltinių sąrašo, t. Y. Be atviros liepsnos, be darbinio dujų įtaiso ar be darbinio prietaiso šildytuvo.

23. Negalima pradurti ir nerūkyti.

24. Atminkite, kad šildymo įrenginių gamintojai neturi kvapiųjų medžiagų.

Prieš pirmąjį naudojimą:

1. Oro sausintuvą turi būti naudojamas ant lygaus ir stabilaus paviršiaus, kad būtų užtikrintas tinkamas efektyvumas, išlaikykite atstumus tarp įrenginio ir kitų objektų pagal 1 paveikslą. Uždarykite visus kambario, kuriame norite pašalinti orą, langus ir duris.

2. Kad vanduo neužšaltų, nenaudokite sausintuvo ir išleidimo žarnos, kai aplinkos temperatūra yra žemesnė nei 0 ° C.

3. Nenaudokite sausintuvo lauke. Dėl tiesioginių saulės spindulių ar lietaus gali perkaisti, kilti elektros smūgis ir kilti gaisras.

4. Nedėkite vandens rezervuaro ant sausintuvo, kad vanduo nepatektų į įrenginio vidų ir nesugadintų jo izoliacijos.

5. Niekada nemėginkite naudoti sausintuvo specialiam naudojimui, pavyzdžiui, maisto sausinimui, meno objektų konservavimui ar pan.

6. Nenaudokite sausintuvo ten, kur gali nutekėti alyva arba degios dujos. Nenaudokite įrenginio vietose, kuriose yra chemikalų.

7. Norėdami nuolat nusausinti, įsitinkinkite, kad išleidimo žarna nustatyta tinkamai su nuolydžiu.

8. Būkite atsargūs, kad šildymo prietaisais nepatektų vėjo iš sausintuvo.

9. Neaudokite sausintuvo kaip kėdės ar kojės.
 10. Nenuimkite plūdės svirties iš vandens rezervuaro.
 11. Neužblokuokite oro įleidimo angų ir išleidimo angų.
 12. Neuždenkite prietaiso skalbiamaiais drabužiais.
- Prieš pradėdami ilgą laiką nepertraukiamai eksploatuoti, reikia periodiškai tikrinti oro valymo filtrą, išleidimo žarną ar pan.

Produkto aprašymas: CR7851 Oro sausintuvus

- | | |
|--|-----------------------------------|
| 1. Valdymo skydelis | 2. Oro įleidimo anga |
| 3. Vandens bakas 2,2L | 4. Oro išleidimo anga |
| 5. Rankena | 6. Plūduriuojantis |
| 7. Išleidimo žarna | 8. Tinklo oro filtras |
| 9. Filto korpusas | 10. Drėgmės indikatoriaus lemputė |
| 11. Guminis kamštis drenažo funkcijai. | 12. Aktyvintos anglies filtras |

Kontrolės skydelis

- | | |
|--|--|
| A. Maitinimo mygtukas | B. Režimo mygtukas |
| B1. Įprastas sausinimo režimo indikatorius | B2. Nuolatinio sausinimo režimo indikatorius |
| B3. Stiprus sausinimo režimo indikatorius | B4. Drabužių džiovimo režimo indikatorius |
| C. Laikmačio 0–24 valandų mygtukas | C1. Laiko vieneto indikatorius |
| D. Papildomas ventiliatoriaus režimo mygtukas / indikatorius | E. Vaiko užrakto mygtukas / indikatorius |
| F. Ventiliatoriaus greičio mygtukas | F1. Mažas ventiliatoriaus greičio indikatorius |
| F2. Didelio ventiliatoriaus greičio indikatorius | G. Miego režimo mygtukas / indikatorius |
| H. 30–80% santykinės drėgmės nustatymo mygtukas | H1. Drėgmės vieneto indikatorius |
| J. Atšildymo režimo indikatorius | K. Viso vandens rezervuaro indikatorius |
| L. Skaitmeninis drėgmės ir laikmačio rodymas | |

Efektyvumas

1. Prietaisas automatiškai reguliariai atlieka atitirpinimą pagal kambario temperatūrą.
 - a) Jei kambario temperatūra lygi arba viršija 24 ° C, atitirpinimas sustabdomas.
 - b) Jei kambario temperatūra yra 18–24 ° C, atšildymas įjungiamas 5 minutėms po kas 120 minučių išdžiovinimo.
 - c) Jei kambario temperatūra yra 12–18 ° C, atitirpinimas įjungiamas 5 minutes po kas 25 minučių išdžiovinimo.
 - d) Jei kambario temperatūra yra 5–12 ° C, atitirpinimas įjungiamas 5 minutėms po kas 20 minučių išdžiovinimo.
2. Atšildymo metu gali būti veikiama drėgmės pašalinimo funkcija.
3. Atitirpinimo metu neišjunkite jungiklio ir netraukite oro sausintuvo maitinimo kištuko.
4. Šis oro sausintuvus negali būti naudojamas išlaikyti labai žemą temperatūrą. Šio oro sausintuvo funkcija yra išsiurbti nemalonią, didelę drėgmę.

Sausinimo galimybė

1. Šis oro sausintuvus neturi aušinimo funkcijos. Operacijos metu jis gamins šilumą ir padidins kambario temperatūrą 1–4 ° C.
2. Kasdienis oro sausintuvo pajėgumas priklauso nuo kambario temperatūros ir santykinės drėgmės. Esant skirtingai temperatūrai ir santykinėi drėgmei, jis gali turėti skirtingą drėgmės pašalinimo pajėgumą.
3. Toje pačioje kambario temperatūroje drėgmės pašalinimo pajėgumas yra didesnis esant didesnei santykinėi drėgmei, o sausinimo pajėgumas yra mažesnis esant mažesnei santykinėi drėgmei. Esant tokiai pat santykinėi drėgmei, esant aukštesnei temperatūrai, drėgmės pašalinimo pajėgumas yra didesnis, o esant žemesnei temperatūrai, sausinimo pajėgumas yra mažesnis.
4. Jei oro sausintuvus dedamas į spintelę, per trumpą laiką po jo veikimo jo sausinimo pajėgumai gali labai sumažėti, nes labai sumažėjo spinta.
5. Esant kambario temperatūros 5 ° C / 10 ° C / 15 ° C / 20 ° C / 25 ° C / 30 ° C temperatūrai ir 80% santykinės drėgmės, oro sausinimo pajėgumas yra atitinkamai maždaug 2/4/6/8/10 litrų vandens, kai oro išleidimo anga yra visiškai atidaryta.

Drėgmės indikatoriaus lemputė (10)

Veikimo metu drėgmės indikatoriaus lemputė rodo dabartinį drėgmės lygį kambaryje:

- Mėlyna spalva reiškia žemą drėgmę, mažesnę nei 50% santykinę drėgmę
- Žalia spalva reiškia vidutinį drėgnumą, esant 51–69% santykinėi drėgmei
- Raudona spalva reiškia didelę drėgmę, viršijančią 70% santykinę drėgmę

Atkreipkite dėmesį, kad santykinės drėgmės vertė turi 3% toleranciją, kai užsidega atitinkama indikacinė lemputė.

Operacija

1. Prašome pastatyti mašinos bloką vertikaliai, kad išvengtumėte netinkamo veikimo ir neįprasto garso. Laikykitės atstumų tarp kitų objektų, kaip parodyta 1 paveiksle. Prijunkite prietaisą.
 2. Norėdami įjungti įrenginį, valdymo skydelyje (1) esantį maitinimo jungiklį (A) reikia paspausti. Skaitmeninis ekranas (L) parodys esamą drėgmės lygį kambaryje.
 3. Režimo mygtuką (B) reikia dar kartą paspausti, jei norite pasirinkti norimą veikimo režimą:
- B1. Įprastas sausinimo režimas
Pasirinkus šį režimą, užsidega indikatorius B1.

B2. Nuolatinis oro sausavimo režimas

Pasirinkus šį režimą, užsidegs indikatorius B2.

B3. Stiprus sausavimo režimas

Pasirinkus šį režimą, užsidega indikatorius B3.

B4. Drabužių džiovavimo režimas

Pasirinkus šį režimą, užsidega indikatorius B4.

4. Drėgmės nustatymo mygtuką (H) reikia dar kartą paspausti, jei norite nustatyti norimą kambario drėgmę tarp 30-80% su 5% reguliavimo koeficientu. Drėgmės nustatymas galioja tik įprastu drėgmės šalinimo režimu (B1). Nustačius reikiamą kambario drėgmę, mirksės skaitmeninis ekranas (L), kuris jį prisimins, ir prietaisas pradės veikti. Kitas skaitmeniniame ekrane (L) rodomas esamas kambario drėgnumas. Reikalingą patalpos drėgmę reikia nustatyti žemiau nei dabartinė patalpos drėgmė, kitaip prietaisas nepradės sausinti. Kai santykinis oro drėgnumas kambaryje bus lygus anksčiau ekrane nustatytam santykiniam oro drėgnumui, prietaisas automatiškai išjungs kompresorių, oro sausintuvus sustos, veiks tik ventiliatorius.

5. Laikmačio mygtukas (C) atlieka dvi funkcijas:

VĒLO PALEIDIMO funkcija

Laikmatį galima nustatyti, kai prietaisas yra išjungtas. Paspauskite laikmačio mygtuką (C): LED ekrane užsidega „Hr“ indikatorius (C1), o skaitmeniniame ekrane (L) pasirodys „00“; per 5 sekundes turėtumėte paspausti laikmačio mygtuką (C), norėdami pasirinkti norimą laiką, kai prietaisas turi išjungti. Nustačius laikmatį, laikas bus rodomas 5 sekundes, degs „Hr“ indikatorius (C1). Praėjus nustatymo laikui, įrenginys išjungs automatiškai.

Laikmačio išjungimo funkcijos nustatymas - DELAY STOP

Laikmačio išjungimo funkciją galima nustatyti, kai prietaisas yra įjungtas. Paspauskite laikmačio mygtuką (C): LED ekrane užsidega „Hr“ (C1) indikacija ir skaitmeniniame ekrane (L) pasirodo „00“; per 5 sekundes turėtumėte paspausti laikmačio mygtuką (C), kad pasirinktumėte norimą įrenginio išjungimo laiką. Nustačius laikmatį, laikas bus rodomas 5 sekundes ir išjungs „Hr“ indikatorius (C1). Praėjus nustatytam laikui, įrenginys išjungs automatiškai.

Laikmačio diapazonas yra nuo 1 iki 24 valandų su 1 valandos intervalu.

6. Be ventiliatoriaus veikimo, reikia paspausti papildomą ventiliatoriaus režimo mygtuką (D), kad veiktų aktyvi arba reaktyvi oro cirkuliacija. Įjungus šį ventiliatoriaus režimą papildomai oro cirkuliacijai, išjungiamas oro sausavimo režimas.

7. Vaiko užrakto mygtuką (E) reikia paspausti ir palaikyti 3 sekundes, kad išgirstumėte garsą, patvirtinantį, kad įvesdami mygtukus užrakinsite būseną. Šiuo metu bet kurio mygtuko paspaudimas negalioja. Vaiko užrakto mygtukas taip pat užsidega. Norėdami išjungti mygtukų užrakto vietą, dar kartą paspauskite vaiko užrakto mygtuką (E) ir palaikykite 3 sekundes, kad išgirstumėte garsą, patvirtinantį, kad mygtukų užrakto būseną atšauktų.

8. Ventiliatoriaus greičio mygtuką (F) galima valdyti, kai prietaisas perjungiamas į ventiliatoriaus režimą (D) arba įprastą oro sausinimo režimą (B1). Paspauskite ventiliatoriaus greičio mygtuką (F), jei norite pasirinkti mažą arba didelį greitį. Užsidegs tinkamas indikatorius (F1 arba F2).

9. Miego režimo mygtuką (G) reikia nespausiti, kad išjungtumėte visus kitus indikatorius žibintus, išskyrus miego režimą. Paspauskite bet kurį mygtuką, jei norite pamatyti anksčiau nustatytas valdymo pulto funkcijas. Po 5 sekundžių miego režimas bus tęsiamas. Norėdami atšaukti miego režimą, dar kartą paspauskite miego režimo mygtuką (G).

10. Dar kartą paspauskite maitinimo jungiklį (A), kad išjungtumėte įrenginį, įrenginio mašina nustos veikti.

Vandens talpyklų paslauga

1. Jei vandens rezervuaras (3) yra pilnas arba vandens bakas (3) nėra tinkamai įrengtas, valdymo pulte (1) užsidega viso vandens rezervuaro indikatorius (K). Prietaisas skleidžia pakartotinius aliarmo garsus, drėgmės indikatorius lemputė (10) pradeda mirksėti raudona spalva.

2. Kai mirksi pilno vandens bako indikatorius lemputė (K), mašinos viduje sumontuotas kompresorius sustoja taip, kad jis nesikondensuotų vandens, kol vandens bakas nebus tuščias arba nustatytas teisingoje padėtyje, tačiau ventiliatorius ir toliau veikia.

3. Norėdami išimti vandens rezervuarą (3), laikykite vandens bako šonus ir ištraukite. Neišardykite plūdės (6) iš vandens rezervuaro (3). Pažvelkite į 3 nuotrauką.

4. Norėdami ištuštinti vandens rezervuarą (3), pakreipkite jį, kaip parodyta 5 paveiksle, ir lėtai išleiskite vandenį. Tada vėl įdėkite vandens rezervuarą (3) į oro sausintuvą.

Nepertraukiamo drenažo funkcija

1. Jei reikia ilgą laiką sausinti orą, galite naudoti nepertraukiamo drenažo funkciją.

2. Patraukite guminį kamštį (11), tada įdėkite pritvirtintą nuolatinio išleidimo žarną (7), kaip parodyta 2 paveiksle.

3. Baigę nepertraukiamą vandens išleidimą, uždėkite guminį kamštį (11) ir išjunkite prietaisą.

Nepertraukiamo nutekėjimo žarna: ilgis: 30 cm, vidinis skersmuo: 17 mm, išorinis skersmuo: 19 mm.

Valymas ir priežiūra

1. Prieš pradėdami bet kokią valymą ar kitą įprastą priežiūrą, išjunkite įrenginį ir atjunkite maitinimo kištuką.

2. Kad išvengtumėte elektros smūgio pavojaus, valydami niekada nepurkškite ir nepilkite vandens į oro sausintuvą.

3. Prieš perkeldami prietaisą, išjunkite prietaisą ir ištuštinkite vandenį iš vandens rezervuaro. Judėdami būtinai laikykite rankeną.

4. Nuvalykite korpusą o prietaisą drėgna šluoste.

5. Neišardykite plūdės (6) iš vandens rezervuaro (3).

6. Prieš planuojant nenutrūkstamą ilgalaikį veikimą, reikia periodiškai tikrinti oro filtrą (8), aktyviosios anglies filtrą (12) ir išleidimo žarną (7)

ar pan.

7. Norēdami išvalyti arba pakeisti filtrus:

- atjunkite kištuką ir ištraukite vandens rezervuarą (3),
 - nuimkite filtro korpusą (9), kaip parodyta 4 paveiksle,
 - nuimkite akių filtrą (8) iš korpuso ir atsargiai nuimkite aktyvios anglies filtrą (12)
 - valykite abu filtrus kas dvi savaites dulkių siurbliu. Drėgmės našumas gali sumažėti, kai filtrai yra užkimšti šiukšlėmis.
 - įstatykite filtrus į filtro korpusą (9) ir įdėkite į prietaiso korpusą.
8. Nevalykite prietaiso benzinu, skiedikliu ar skystu plovikliu.

TECHNINIAI DUOMENYS:

Džiovinimo talpa esant 30 ° C / 80% RH): 10 litrų / 24 val
Drėkinimo talpa esant 27 ° C / 60% RH): 5 litrai per 24 valandas
Triukšmo lygis: <= 45dB
Vandens bako talpa: 2,2 litro
Oru srautas: 120 m³ / val
R290 aušinimo skysčio svoris: maks. 35 gramai
Ratted įėjimo galia: 200WMaks. Ratted įėjimo galia: 245W
Maitinimas: 220–240 V ~ 50 Hz



Atsargiai, gaisro pavojus.
NEGALIMA pradurti ir nedeginti.
Atminkite, kad šaltnešis neturi kvapo.
Didžiausias šaltnešio įkrovos kiekis: 35 g.



Rūpinantis aplinka. Kartono pakuotes atiduoti į makulatūrą. Polietileno (PE) maišelius mesti į plastikui skirtą konteinerį. Susidėvėjusį prietaisą atiduoti į atitinkamą atliekų surinkimo vietą, nes prietaise esančios pavojingos medžiagos gali kelti grėsmę aplinkai. Elektrinį prietaisą atiduoti tokį, kad nebūtų galima jo pakartotinai naudoti ir panaudoti. Jeigu prietaise yra baterijos, būtina jas išimti ir atskirai atiduoti į atliekų surinkimo vietą. Nemesti prietaiso į buitinių atliekų konteinerį!

LATVIEŠU

VISPĀRĪGIE DROŠĪBAS NOSACĪJUMI

SVARĪGAS DROŠĪBAS INSTRUKCIJAS RŪPĪGI LASĪT UN SAUDZĒT NĀKOTNĒM

1. Pirms ierīces izmantošanas izlasiet lietošanas instrukciju un ievērojiet tajā sniegtos norādījumus. Izgatavotājs nav atbildīgs par zaudējumiem, kas radušies, izmantojot ierīci pretēji paredzētajam mērķim vai nepareizu darbību.
2. Ierīce paredzēta tikai lietošanai mājās. Nelietojiet citiem mērķiem, kas nav paredzēti paredzētajam mērķim.
3. Ierīce jāpievieno maiņstrāvas kontaktligzdai tikai ar iezemētu 220 240 V ~ 50Hz. Lai palielinātu ekspluatācijas drošību, vairākas elektriskās ierīces nedrīkst būt savienotas vienā strāvas ķēdē vienlaikus.
4. Esiet īpaši piesardzīgs, lietojot ierīci, kad tuvumā ir bērni. Neļaujiet bērniem spēlēt ar ierīci, neļaujiet to lietot bērniem vai cilvēkiem, kuri to nepazīst.
5. BRĪDINĀJUMS. Šo aprīkojumu var izmantot bērni, kas vecāki par 8 gadiem, un cilvēki ar ierobežotām fiziskām, maņu vai garīgajām spējām vai cilvēki, kuriem nav pieredzes vai zināšanu par šo aprīkojumu, ja tas tiek veikts atbildīgas personas uzraudzībā. Viņu drošībai vai viņiem ir piešķirta informācija par ierīces drošu lietošanu un viņi apzinās tās lietošanas bīstamību. Bērni nedrīkst spēlēt ar aprīkojumu. Ierīces tīrīšanu un apkopi nedrīkst veikt bērni, ja vien viņi ir vecāki par 8 gadiem un šīs darbības tiek veiktas uzraudzībā.
6. Pēc lietošanas vienmēr atvienojiet strāvas kontaktdakšu, turot kontaktlīdzi ar roku. NEvelciet strāvas vadu.
7. Neiegremdējiet kabeli, kontaktdakšu un visu ierīci ūdenī vai citā šķidrumā. Nepakļaujiet ierīci atmosfēras iedarbībai (lietus, saule utt.) Vai nelietojiet paaugstināta mitruma apstākļos (vannas istabas, mitras pārvietojamās mājas).

8. Periodiski pārbaudiet strāvas vada stāvokli. Ja strāvas vads ir bojāts, tas jāmaina specializētā remontdarbnīcā, lai izvairītos no briesmām.
9. Nelietojiet ierīci ar bojātu strāvas vadu, ja tā ir nomesta vai citādi bojāta, vai arī tā nedarbojas pareizi. Neuzlabojiet ierīci pats, jo pastāv elektriskās strāvas trieciena risks. Nogādājiet bojāto ierīci pārbaudei vai labošanai atbilstošā servisa centrā. Visus remontdarbus drīkst veikt tikai pilnvaroti servisa punkti. Nepareizi veikts remonts var radīt nopietnas briesmas lietotājam.
10. Novietojiet ierīci uz vēsas, stabilas virsmas, prom no karstām virtuves ierīcēm, piemēram, elektriskās plīts, gāzes degļa utt.
11. Pārlicinieties, ka nekas neliedz ierīces gaisa ieplūdi un izplūdi
12. Izmantojiet ierīci tikai uz līdzenas virsmas, lai novērstu kondensāta izliešanu
13. Lai nodrošinātu papildu aizsardzību, ieteicams elektriskajā ķēdē uzstādīt atlikušās strāvas ierīci (RCD) ar nominālo atlikušo strāvu, kas nepārsniedz 30mA. Par to jautājiet elektriķim.
14. Regulāri notīriet gaisa filtru. Tīrīšanas biežums ir atkarīgs no gaisa tīrības.
15. Pēc mašīnas izslēgšanas nogaidiet vismaz 5 minūtes, pirms to atkal ieslēdzat.
16. Efektīvai gaisa mitrināšanai starp ierīču sānu sienām un saspīestajām mēbelēm vai aizkariem jāizmanto vismaz 20 cm atstarpe.
17. Lai izvairītos no ugunsgrēka vai eksplozijas riska, nesmidziniet žāvētāju
18. Lai izmantotu korpusa detaļas, nenovietojiet sausinātāju sildīšanas ierīču tuvumā.
19. Izņemiet no tvertnes savāktos ūdeni. Ja nejauši dzerat ūdeni vai lietojat to kopā ar citiem cilvēkiem, tas var izraisīt slimības.
20. Neatbalsta ierīces ar aizmugures pārsegu kustīgu un karstu detaļu dēļ.
21. Atkausēšanas vai darbības procesa veikšanai nelietojiet citus līdzekļus, izņemot tos, kurus ieteicis ražotājs.
22. Ierīcei jābūt pieejamai pastāvīga aizdedzes avota saraksta ietvaros, t.i., bez atklātas liesmas, bez darbīgas gāzes ierīces vai bez darba ierīces sildītāja.
23. Neuzdurt un nesmēķēt.
24. Lūdzu, ņemiet vērā, ka saldēšanas iekārtu ražotāji nedrīkst saturēt aromātu.

Pirms pirmās lietošanas:

1. Sausinātājs jāizmanto uz līdzenas un stabilas virsmas, lai nodrošinātu piemērotu efektivitāti, ievērojiet attālumus starp vienību un citiem objektiem saskaņā ar 1. attēlu. Aizveriet visus telpas logus un durvis, no kurām vēlaties mitrināt gaisu.
2. Lai nepieļautu ūdens sasaldāšanu, nelietojiet sausinātāju un kanalizācijas šļūteni apkārtējās vides temperatūrā zem 0 ° C.
3. Nelietojiet sausinātāju ārpusē. Tiešas saules gaismas vai lietus iedarbība var izraisīt pārkaršanu, elektriskās strāvas triecienu un ugunsgrēku.
4. Nelieciet ūdens tvertni uz sausinātāja, lai izvairītos no jebkādas ūdens izliešanas ierīces iekšpusē un pasliktinātu izolāciju.
5. Nekādā gadījumā nemēģiniet izmantot sausinātāju īpašiem nolūkiem, piemēram, pārtikas sausināšanai vai mākslas priekšmetu konservēšanai vai tamlīdzīgi.
6. Nelietojiet sausinātāju vietā, kur var notikt eļļas vai viegļi uzliesmojošas gāzes noplūde. Nelietojiet ierīci vietās, kas pakļautas ķīmiskām vielām.
7. Nepārtrauktas iztukšošanas gadījumā pārlicinieties, ka iztukšošanas šļūtene ir pareizi iestatīta ar slīpumu.
8. Esiet piesardzīgs, lai sildīšanas ierīce netiktu pakļauta vēja iedarbībai no sausinātāja.
9. Nelietojiet sausinātāju kā krēslu vai kāju.
10. Neizņemiet pludiņa sviru no ūdens tvertnes.
11. Neaizsprostojiet gaisa ieplūdes atveres un izplūdes atveres.
12. Nepārkļāviet ierīci ar mazgātām drēbēm.

Pirms ilgstošas ilgstošas darbības periodiski jāpārbauda, jo īpaši gaisa attīrītājam filtram, kanalizācijas šļūtenei vai tamlīdzīgi.

Produkta apraksts: CR7851 Gaisa sausinātājs

- | | |
|---|-------------------------------|
| 1. Vadības panelis | 2. Gaisa iepļūde |
| 3. Ūdens tvertne 2,2L | 4. Gaisa izeja |
| 5. Rokturis | 6. Peldētājs |
| 7. Notekas šūtene | 8. Tīkla gaisa filtrs |
| 9. Filtra korpuss | 10. Mitruma indikatora gaisma |
| 11. Gumijas aizbāznis drenāžas funkcijai. | 12. Aktivētās ogles filtrs |

Vadības panelis

- | | |
|--|--|
| A. Barošanas poga | B. Režīma poga |
| B1. Parastā sausināšanas režīma indikators | B2. Nepārtrauktas mitrināšanas režīma indikators |
| B3. Spēcīgs sausināšanas režīma indikators | B4. Apģērba žāvēšanas režīma indikators |
| C. Taimera 0–24 stundu poga | C1. Laika vienības indikators |
| D. Papildu ventilatora režīma poga / indikators | E. Bērnu bloķēšanas poga / indikators |
| F. Ventilatora ātruma poga | F1. Zema ventilatora ātruma indikators |
| F2. Augsta ventilatora ātruma indikators | G. Miega režīma poga / indikators |
| H. Mitruma iestatīšanas poga 30–80% relatīvā mitruma | H1. Mitruma vienības indikators |
| J. Atkausēšanas režīma indikators | K. Pilnas ūdens tvertnes indikators |
| L. Mitruma un taimera digitālais displejs | |

Efektivitāte

1. Ierīce automātiski veic atkausēšanu regulāri pēc telpas temperatūras.
 - a) Ja istabas temperatūra ir vienāda vai pārsniedz 24°C , atkausēšana tiek pārtraukta.
 - b) Ja istabas temperatūra ir $18\text{--}24^{\circ}\text{C}$, atkausēšana tiek ieslēgta 5 minūtes pēc katras 120 minūtes nožūšanas.
 - c) Ja istabas temperatūra ir $12\text{--}18^{\circ}\text{C}$, atkausēšana tiek ieslēgta 5 minūtes pēc katras 25 minūtes nožūšanas.
 - d) Ja istabas temperatūra ir $5^{\circ}\text{C} - 12^{\circ}\text{C}$, atkausēšana tiek ieslēgta 5 minūtes pēc katras 20 minūtes nožūšanas.
2. Atkausēšanas darbības laikā var darboties sausināšanas funkcija.
3. Atkausēšanas laikā, lūdzu, neizslēdziet slēdzi un neizvelciet sausinātāja strāvas kontaktdakšus.
4. Šo sausinātāju nevar izmantot, lai uzturētu ārkārtīgi zemu temperatūru. Šī sausinātāja funkcija ir izsūknēt nepatīkamo, augsto mitrumu.

Sausināšanas spēja

1. Šim gaisa sausinātājam nav dzesēšanas funkcijas. Darbības laikā tas radīs siltumu un paaugstinās istabas temperatūru par $1\text{--}4^{\circ}\text{C}$.
2. Sausinātāja ikdienas sausināšanas spēja ir atkarīga no istabas temperatūras un relatīvā mitruma. Dažādās temperatūrās un relatīvajā mitrumā tam var būt atšķirīga sausināšanas spēja.
3. Tajā pašā istabas temperatūrā sausināšanas spēja ir lielāka, ja augstāks relatīvais mitrums, un sausināšanas spēja ir mazāka, ja relatīvais mitrums ir zemāks. Tajā pašā relatīvajā mitrumā sausināšanas spēja ir augstāka augstākā temperatūrā un sausināšanas spēja ir zemāka zemākā temperatūrā.
4. Ja sausinātājs tiek ievietots skapī, tā sausināšanas spēja īsā laikā pēc darbības var ievērojami samazināties, jo skapī esošais mitrums ir ļoti samazināts.
5. $5^{\circ}\text{C} / 10^{\circ}\text{C} / 15^{\circ}\text{C} / 20^{\circ}\text{C} / 25^{\circ}\text{C} / 30^{\circ}\text{C}$ istabas temperatūrā un 80% relatīvā mitruma sausināšanas spēja ir attiecīgi aptuveni 2/4/6/8/10 litri ūdens, kad gaisa izeja ir pilnībā atvērta.

Mitruma indikatora gaisma (10)

Darbības laikā mitruma indikatora gaisma parāda pašreizējo mitruma līmeni telpā:

- Zilā krāsa nozīmē zemu mitruma līmeni, kas zemāks par 50% relatīvā mitruma
 - Zaļā krāsa nozīmē vidēju mitrumu 51–69% relatīvā mitruma robežās
 - Sarkanā krāsa nozīmē augstu mitrumu virs 70% relatīvā mitruma
- Lūdzu, ņemiet vērā, ka, iedegot atbilstošu indikācijas gaismu, relatīvā mitruma vērtība ir saņēmusi 3% pielaidi.

Darbība

1. Lūdzu, novietojiet mašīnas vienību vertikāli, lai izvairītos no nepareizas darbības un neparastas skaņas. Ievērojiet attālumus starp citiem objektiem, kā parādīts 1. attēlā. Pievienojiet ierīci kontaktligzdai.
2. Lai ieslēgtu ierīci, vadības panelī (1) ir jānospiež barošanas slēdzis (A). Digitālais displejs (L) parādīs pašreizējo mitruma līmeni telpā.
3. Režīma poga (B) jānospiež vēlreiz, lai izvēlētos vēlamo darbības režīmu starp:
 - B1. Parasts sausināšanas režīms
Izvēloties šo režīmu, iedegsies indikators B1.
 - B2. Nepārtrauktas mitrināšanas režīms
Izvēloties šo režīmu, iedegsies indikators B2.
 - B3. Spēcīgs sausināšanas režīms
Izvēloties šo režīmu, iedegsies indikators B3.
 - B4. Apģērba žāvēšanas režīms
Izvēloties šo režīmu, iedegsies indikators B4.
4. Mitruma iestatīšanas poga (H) vēlreiz jānospiež, lai iestatītu vēlamo telpas mitrumu starp 30–80% ar 5% korekcijas koeficientu. Mitruma

iestatījums ir derīgs tikai parastā sausināšanas režīmā (B1). Pēc vajadzīgā telpas mitruma iestatīšanas mirgos digitālais displejs (L), lai to atcerētos, un ierīce sāk darboties. Tālāk pie digitālā displeja (L) tiek parādīts pašreizējais telpas mitrums. Nepieciešamais telpas mitrums ir jāiestata zemākā līmenī nekā pašreizējais telpas mitrums, pretējā gadījumā ierīce nesāks sausināt. Kad relatīvais mitrums telpā būs vienāds ar displejā iepriekš iestatīto relatīvā mitruma līmeni, ierīce automātiski izslēgs kompresoru, sausinātājs apstāties, darbosies tikai ventilators.

5. Taimera pogai (C) ir divas funkcijas:

KAVĒJĀS STARTA funkcija

Taimeris var iestatīt, kad ierīce ir izslēgta. Nospiediet taimera pogu (C): LED displejā iedegas "Hr" indikators (C1) un digitālajā displejā (L) parādīsies "00"; 5 sekunžu laikā jums jānospiež taimera poga (C), lai izvēlētos vēlamo laiku, kad ierīcei jāieslēdzas. Kad taimeris ir iestatīts, laiks tiks parādīts 5 sekundēs, iedegsies "Hr" indikators (C1). Pēc iestatīšanas laika ierīce automātiski ieslēgsies.

Taimera izslēgšanas funkcijas iestatīšana - DELAY STOP

Taimera izslēgšanas funkciju var iestatīt, kad ierīce ir ieslēgta. Nospiediet taimera pogu (C): LED displejā iedegas indikācija "Hr" (C1) un ciparu displejā (L) parādās "00"; 5 sekunžu laikā jums jānospiež taimera poga (C), lai izvēlētos vēlamo ierīces izslēgšanas laiku. Pēc taimera iestatīšanas laiks tiks parādīts 5 sekundēs un ieslēgsies "Hr" indikators (C1). Pēc iestatīšanas laika ierīce automātiski izslēgsies. Taimera diapazons ir no 1 līdz 24 stundām ar 1 stundas intervālu.

6. Papildus ventilatora darbībai jānospiež papildu ventilatora režīma poga (D), lai aktivizētu aktīvo vai reaktīvo gaisa cirkulāciju. Kad šis ventilatora režīms ir ieslēgts papildu gaisa cirkulācijai, sausināšanas režīms tiek izslēgts.

7. Bēmu bloķēšanas poga (E) jānospiež un jāuztur 3 sekundes, lai dzirdētu, ka skaņa apstiprina, ka pogas bloķē stāvoklī. Arī šajā laikā iedegas bēmu bloķēšanas poga. Lai izslēgtu pogu bloķēšanas sānu, vēlreiz nospiediet bēmu bloķēšanas pogu (E) un turiet to 3 sekundes, lai dzirdētu skaņu, kas apstiprina pogu bloķēšanas stāvokļa atcelšanu.

8. Ventilatora ātruma pogu (F) var darbināt, kad ierīce tiek pārslēgta uz ventilatora režīmu (D) vai parasto sausināšanas režīmu (B1).

Nospiediet ventilatora ātruma pogu (F), lai izvēlētos starp mazu vai lielu ātrumu. Iedegsies piemērotais indikators (F1 vai F2).

9. Miega režīma poga (G) jānospiež, lai izslēgtu visus pārējos indikatorus, izņemot miega režīmu. Nospiediet jebkuru pogu, lai vadības panelī redzētu iepriekš iestatītās funkcijas. Pēc 5 sekundēm miega režīma darbība tiks turpināta. Lai atceltu miega režīmu, vēlreiz nospiediet miega režīma pogu (G).

10. Vēlreiz nospiediet barošanas slēdzi (A), lai izslēgtu ierīci, ierīces mašīna pārstāj darboties.

Ūdens tvertņu serviss

1. Ja ūdens tvertne (3) ir pilna vai ūdens tvertne (3) nav uzstādīta pareizā stāvoklī, vadības panelī (1) iedegas pilnas ūdens tvertnes indikators (K). Ierīce atskaņos atkārtotas trauksmes skaņas, mitruma indikators (10) sāk mirgot sarkanā krāsā.

2. Kad mirgo pilnas ūdens tvertnes indikators (K), mašīnas iekšpusē uzstādītais kompresors apstājas tā, lai tas nesabiezētu ūdeni, kamēr ūdens tvertne nav tukša vai noregulēta pareizajā stāvoklī, bet ventilators turpina darboties.

3. Lai noņemtu ūdens tvertni (3), lūdzu, turiet ūdens tvertnes sānus un izvelciet. Neizjauciet peldlīdzekli (6) no ūdens tvertnes (3). Apskatiet 3. attēlu.

4. Lai iztukšotu ūdens tvertni (3), nolieciet to, kā parādīts 5. attēlā, un lēnām iztukšojiet ūdeni. Pēc tam atkal ievietojiet ūdens tvertni (3) sausinātājā.

Nepārtrauktas drenāžas funkcija

1. Ja jums ilgstoši jāizžāvē gaiss, varat izmantot nepārtrauktas drenāžas funkciju.

2. Pavelciet gumijas aizbāzni (11), pēc tam ievietojiet pievienoto nepārtrauktas iztukšošanas šļūteni (7), kā parādīts 2. attēlā.

3. Pēc nepārtrauktas iztukšošanas beigām ievietojiet gumijas aizbāzni (11) un izslēdziet ierīci.

Nepārtrauktas notekas šļūtene: garums: 30 cm, iekšējais diametrs: 17 mm, ārējais diametrs: 19 mm.

Tīrīšana un apkope

1. Pirms tīrīšanas vai citas ikdienas apkopes sākšanas izslēdziet ierīci un atvienojiet strāvas kontaktdakšu.

2. Lai izvairītos no elektriskās strāvas trieciena riska, tīrīšanas laikā nekad neuzsmidziniet un nelietojiet ūdeni gaisa mitrinātājā.

3. Pirms ierīces pārvietošanas izslēdziet ierīci un iztukšojiet ūdeni no ūdens tvertnes. Pārvietojoties noteikti turiet rokturi.

4. Noslaukiet korpusa o ierīci ar mitru drānu.

5. Neizjauciet peldlīdzekli (6) no ūdens tvertnes (3).

6. Pirms ilgstošas plānotas nepārtrauktas darbības jāveic periodiska pārbaude, jo īpaši tīkla gaisa filtram (8), aktīvās ogles filtram (12) un iztukšošanas šļūtenei (7) vai tamlīdzīgi.

7. Lai notīrītu vai nomainītu filtrus:

- atvienojiet kontaktdakšu un izņemiet ūdens tvertni (3),

- noņemiet filtra korpusu (9), kā parādīts 4. attēlā,

- noņemiet acu filtru (8) no korpusa un uzmanīgi noņemiet aktīvās ogles filtru (12)

- ik pēc divām nedēļām notīriet abus filtrus ar putekļu sūcēju. Sausināšanas efektivitāte var samazināties, ja filtri ir aizsērējuši atkritnumus.

- ievietojiet filtrus filtra korpusā (9) un ievietojiet tos ierīces korpusā.

8. Notīriet ierīci ar benzīnu, atšķaidītāju vai šķidru mazgāšanas līdzekli.

TEHNISKIE DATI:

Mitrināšanas jauda 30 ° C / 80% RH): 10 litri / 24 stundas

Mitrināšanas jauda 27 ° C / 60% RH): 5 litri / 24 stundas

Trokšņa līmenis: <= 45dB

Üdens tvertnes tilpums: 2,2 litri
Gaisa plüsuma: 120 m³ / stundā
R290 dzesēšanas šķidruma svars: maks. 35 grammi
Rattēd ieejas jauda: 200W
Maks. Rattēd ieejas jauda: 245W
Barošanas avots: 220-240V ~ 50Hz



Piesardzība, ugunsbīstamība.
NAV caurdurt un nededzināt.
Ņemiet vērā, ka dzesēšanas šķidrumam nedrīkst būt smakas.
Maksimālais dzesēšanas šķidruma uzlādes daudzums: 35 g.



Apkārtējās vides aizsardzība. Kartona iepakojumu, lūdzu, nododiet otrreizējai pārstrādei. Polietilēna maisiņus (PE) izmest plastmasas izstrādājumiem paredzētajos konteineros. Lietotās elektropreces nododiet attiecīgajos pieņemšanas punktos. Ierīcē satur bīstamas sastāvdaļas, kas var izraisīt draudus apkārtējai videi. Elektroierīcē jānodod tā, lai ierobežotu tās atkārtotu izmantošanu. Ja ierīcē atrodas baterijas, izņemiet tās un nododiet pieņemšanas punktā atsevišķi. Produktu neizmest sadzīves atkritumu konteinerā!

EESTI

ÜLDISED OHUTUSTINGIMUSED

OLULISED OHUTUSJUHISED LUGEGE ETTEVAATUST JA HOIDKE TULEVIKKU

1. Enne seadme kasutamist lugege kasutusjuhendit ja järgige selles sisalduvaid juhiseid. Tootja ei vastuta kahjude eest, mis on põhjustatud seadme eesmärgipärasest kasutamisest või ebaõigest kasutamisest.
2. Seade on ette nähtud ainult koduseks kasutamiseks. Ärge kasutage muuks otstarbeks kui otstarbeks.
3. Seadme toiteallikat tuleks ühendada ainult maandatud 220-240 V ~ 50Hz sagedusega. Tööohutuse suurendamiseks ei tohiks mitu voluuhelat üheaegselt ühendada.
4. Kui olete läheduses, kasutage seadet eriti ettevaatlikult. Ärge lubage lastel seadmega mängida, ärge lubage lastel ega inimestel, kes pole seadmega tuttavad, seda kasutada.
5. HOIATUS. Seda seadet võivad kasutada üle 8-aastased lapsed ja piiratud füüsilise, sensoorse või vaimse võimekusega inimesed või inimesed, kellel pole seadme kasutamise kohta kogemusi ega teadmisi, kui seda tehakse vastutava isiku järelevalve all. nende ohutuse tagamiseks või neile on antud teavet seadme ohutu kasutamise kohta ja nad on teadlikud selle kasutamisega seotud ohtudest. Lapsed ei tohiks varustusega mängida. Seadme puhastamist ja hooldamist tohivad teha ainult lapsed, välja arvatud juhul, kui nad on üle 8 aasta vanad ja neid toiminguid teostatakse järelevalve all.
6. Ühendage toitepistik alati lahti, hoides pärast kasutamist pistikupesast käega. ÄRGE tõmmake toitejuhtmest.
7. Ärge kastke kaablit, pistikut ja kogu seadet vette ega muusse vedelikku. Ärge jätke seadet atmosfääriolude (vihm, päike jne) kätte ega kasutage kõrge õhuniiskusega tingimustes (vannituba, niiske liikuv kodu).
8. Kontrollige perioodiliselt toitejuhtme seisukorda. Kui toitejuhe on kahjustatud, peaks selle ohu vältimiseks välja vahetama spetsialiseeritud remonditöökojas.
9. Ärge kasutage seadet kahjustatud toitejuhtmega, kui see on maha kukkunud või muul viisil kahjustatud või kui see ei tööta korralikult. Ärge parandage seadet ise, kuna seal võib tekkida elektrilöögi oht. Viige kahjustatud seade kontrollimiseks või parandamiseks vastavasse teeninduskeskusesse. Kõiki remonditöid tohivad teha ainult selleks volitatud

teeninduspunktid. Valesti tehtud remonditööd võivad kasutajale põhjustada tõsiseid ohte.

10. Asetage seade jahedale, kindlale pinnale, eemal kuumadest köögiseadmetest, nagu näiteks: elektripliit, gaasipõleti jne.
11. Veenduge, et miski ei blokeeri seadme õhu sisse- ja väljalaskeava
12. Kasutage seadet ainult tasasel pinnal, et vältida kondensaadi väljavoolamist
13. Täiendava kaitse tagamiseks on soovitatav paigaldada vooluahelasse jääkvoolu seade (RCD), mille nimijäägivool ei ületa 30mA. Küsige seda elektrikult.
14. Puhastage regulaarselt õhufiltrit. Puhastamise sagedus sõltub õhu puhtusest.
15. Pärast masina väljalülitamist oodake enne sisselülitamist vähemalt 5 minutit.
16. Tõhusa õhuniiskuse vähendamiseks tuleks seadmete külgeinte ja kokkusurutud mööbli või kardinate vahel kasutada vähemalt 20 cm pikkust tühikut.
17. Tule- või plahvatusohu vältimiseks ärge pihustage kuivati
18. Korpuse osade kasutamiseks ärge pange õhukuivatit kütteseadmete lähedusse.
19. Eemaldage mahutisse kogutud vesi. Vee tahtmatu joomine või selle kasutamine koos teiste inimestega võib põhjustada haigusi.
20. Ei toeta seadmeid, mille tagakaas on liikuvate ja kuumade osade tõttu eemaldatud.
21. Sulamis- või tööprotsesside läbiviimiseks kasutage ainult tootja soovitatud vahendeid.
22. Seade peaks olema kättesaadav osana pidevast süüteallikate loendist, st ilma lahtise leegi, töötava gaasiseadme või töötava kütteseadmeta.
23. Ärge torgake ega suitsetage.
24. Pange tähele, et külmutusseadmete tootjad ei tohi lõhnaaineid sisaldada.

Enne esimest kasutamist:

1. Kuivatit tuleb kasutada tasasel ja stabiilsel pinnal. Sobiva tõhususe tagamiseks hoidke üksuse ja muude objektide vahel vahemaad vastavalt pildile 1. Sulgege kõik ruumi aknad ja ukсед, kus soovite õhku kuivatada.
2. Vee külmumise vältimiseks ärge kasutage õhukuivatit ja äravooluvoolikut ümbritseva õhu temperatuuril alla 0 ° C.
3. Ärge kasutage õhukuivatit väljas. Otsene päikesevalgus või vihm võivad põhjustada ülekuumenemist, elektrilööki ja tulekahju.
4. Ärge pange veemahutit õhukuivatisse, et vältida vee sissevoolamist seadmesse ja soojustuse kahjustamist.
5. Ärge kunagi proovige kasutada õhukuivatit spetsiaalseks otstarbeks, näiteks toidu kuivatamiseks või kunstiesemete säilitamiseks vms.
6. Ärge kasutage õhukuivatit, kui õli või tuleohtlik gaas võib lekkida. Ärge kasutage seadet kemikaalidega kokkupuutuvates kohtades.
7. Pideva tühjendamise korral veenduge, et tühjendusvoolik on kaldega korralikult kinnitatud.
8. Olge ettevaatlik, et kütteseadet ei oleks kuivati tuule käes.
9. Ärge kasutage õhukuivatit toolina ega jalgadena.
10. Ärge eemaldage ujukikangi veemahutist.
11. Ärge blokeerige õhu sisselaskeavasid ja väljalaskeavasid.
12. Ärge katke seadet pestud riietega.

Enne pikaajalist pidevat kasutamist on vaja perioodiliselt kontrollida eriti õhupuhasti filtrit, äravooluvoolikut vms.

Toote kirjeldus: CR7851 õhukuivati

- | | |
|------------------------------------|------------------------|
| 1. Juhtpaneel | 2. Õhu sisselaskeava |
| 3. Veepaak 2,2L | 4. Õhu väljalaskeava |
| 5. Käepide | 6. Floater |
| 7. Tühjendusvoolik | 8. Võrgusilmafilter |
| 9. Filtri korpus | 10. Niiskuse märgutuli |
| 11. Drenaažifunktsiooni kummpistik | 12. Aktiivsõefilter |

Kontrollpaneel

- | | |
|--|---|
| A. Toitenupp | B. Režiimi nupp |
| B1. Tavaline õhukuivatusrežiimi indikaator | B2. Pideva õhuniiskuse režiimi indikaator |
| B3. Tugev õhukuivatusrežiimi indikaator | B4. Riiete kuivamise režiimi indikaator |
| C. Taimer 0–24 tunni nupp | C1. Ajaühiku indikaator |
| D. Ventilatoori režiimi täiendav nupp / indikaator | E. Lapseluku nupp / indikaator |

- F. Ventilatori kiiruse nupp
- F2. Suure ventilatori kiiruse indikaator
- H. Suhtelise niiskuse 30–80% õhuniiskuse seadmise nupp
- J. Sulatamisrežiimi indikaator
- L. Niiskuse ja taimeri digitaalne kuvamine

- F1. Madal ventilatori kiiruse indikaator
- G. Unerežiimi nupp / indikaator
- H1. Niiskuseühiku indikaator
- K. Täisveepaagi indikaator

Tõhusus

1. Seade teostab automaatselt sulatamist korrapäraste ajavahemike järel vastavalt toatemperatuurile.
 - a) Kui toatemperatuur on võrdne või üle 24 ° C, sulatamine peatatakse.
 - b) Kui toatemperatuur on 18–24 ° C, lülitatakse sulatamine 5 minutiks sisse pärast iga 120-minutist kuivatamist.
 - c) Kui toatemperatuur on 12–18 ° C, lülitatakse sulatamine 5 minutiks pärast iga 25-minutist kuivatamist sisse.
 - d) Kui toatemperatuur on 5 ° C kuni 12 ° C, lülitatakse sulatamine 5 minutiks pärast iga 20-minutist kuivatamist sisse.
2. Sulatamise ajal võib õhukuivatuse funktsioon olla sisse lülitatud.
3. Ärge sulatamise ajal lülitage lüliti välja ega tõmmake õhukuivati toitejuhet välja.
4. Seda õhukuivatit ei saa kasutada äärmiselt madala temperatuuri hoidmiseks. Selle õhukuivati ülesandeks on ebameeldiva kõrge õhuniiskuse pumpamine.

Niiskuse eemaldamise võime

1. Sellel õhukuivatil pole jahutusfunktsiooni. See toodab töötamise ajal soojust ja tõstab toatemperatuuri 1–4 ° C võrra.
2. Igapäevane õhukuivatuse niiskuse eemaldamise võime sõltub toatemperatuurist ja suhtelisest õhuniiskusest. Erinevatel temperatuuridel ja suhtelise õhuniiskuse korral võib sellel olla erinev õhukuivatuse võime.
3. Samas toatemperatuuril on suurema õhuniiskuse korral niiskuse eemaldamise võime suurem ja madalama suhtelise õhuniiskuse korral on niiskuse eemaldamise võime väiksem. Samas suhtelises õhuniiskuses on õhuniiskuse eemaldamise võime kõrgemal temperatuuril suurem ja madalama temperatuuri korral on õhukuivatuse võime väiksem.
4. Kui õhukuivati paigutatakse kappi, võib selle kuivamisvõime lühikesel aja jooksul pärast kasutamist oluliselt väheneda, kuna kapi niiskus on tugevalt vähenenud.
5. Toatemperatuuri 5 ° C / 10 ° C / 15 ° C / 20 ° C / 25 ° C / 30 ° C ja 80% suhtelise õhuniiskuse korral on õhukuivatuse võime vastavalt umbes 2/4/6/8/10 liitrit vett, kui õhu väljalaskeava on täielikult avatud.

Niiskuse märgutuli (10)

Töö ajal näitab niiskuse märgutuli ruumis praegust niiskustaset:

- Sinine värv tähendab madalat õhuniiskust alla 50% suhtelise õhuniiskuse
 - Roheline värv tähendab keskmist õhuniiskust vahemikus 51–69% suhtelist õhuniiskust
 - Punane värv tähendab kõrget õhuniiskust üle 70% suhtelise õhuniiskuse juures
- Pange tähele, et suhtelise niiskuse väärtus on saanud 3% tolerantsi, kui süttib vastav märgutuli.

Operatsioon

1. Vale töö ja ebatavalise heli vältimiseks asetage masinaosa püsti. Hoidke teiste objektide vahekaugusi, nagu on näidatud pildil 1. Ühendage seade vooluvõrku.
2. Seadme sisselülitamiseks tuleb juhtpaneeli (1) toitelüliti (A) vajutada. Digitaalne ekraan (L) näitab ruumi praegust niiskustaset.
3. Soovitud töörežiimi valimiseks tuleb režiiminuppu (B) uuesti vajutada:

B1. Tavaline õhukuivatuse režiim

Selle režiimi valimisel süttib indikaator B1.

B2. Pidev õhuniiskuse režiim

Selle režiimi valimisel süttib näidik B2.

B3. Tugev õhukuivatuse režiim

Selle režiimi valimisel süttib indikaator B3.

B4. Riiete kuivatamise režiim

Selle režiimi valimisel süttib indikaator B4.

4. Niiskuse seadistamise nuppu (H) tuleks uuesti vajutada, et seadistada soovitud ruumi niiskus vahemikus 30–80% 5% reguleerimisteguriga. Niiskuse seadistus kehtib ainult tavalises õhuniiskuse režiimis (B1). Pärast nõutava ruumi niiskuse seadistamist vilgub selle kuvamiseks digitaalne ekraan (L) ja seade hakkab tööle. Järgmisena kuvatakse digitaalnäidul (L) ruumi praegune niiskus. Vajalik ruumi niiskus peab olema madalam kui praegune ruumi niiskus, vastasel juhul ei alusta seade õhuniiskust. Kui ruumi suhteline õhuniiskus võrdub ekraanil varem seatud suhtelise õhuniiskuse tasemega, lülitab seade kompressori automaatselt välja, õhukuivati seiskub, töötab ainult ventilator.

5. Taimeriiga nupul (C) on kaks funktsiooni:

VIIVITAMISE funktsioon

Taimeri saab seadistada siis, kui seade on väljalülitatud olekus. Vajutage taimeri nuppu (C): LED-ekraanil süttib indikaator "Hr" (C1) ja digitaalsele ekraanile (L) ilmub "00"; 5 sekundi jooksul peaksite vajutama taimeri nuppu (C), et valida soovitud aeg, millal seade peab sisse lülituma. Kui taimer on seatud, kuvatakse kellaega 5 sekundi jooksul ja põleb indikaator "Hr" (C1). Pärast seadistuse määramist lülitab seade automaatselt sisse.

Taimeri väljalülitamise funktsiooni seadistamine - VIIVETUS

Taimeri väljalülitamise funktsiooni saab seadistada siis, kui seade on sisselülitatud olekus. Vajutage taimeri nuppu (C): LED-ekraanil süttib

„Hr“ tähis (C1) ja digitaalraanile (L) ilmub „00“; 5 sekundi jooksul peaksite seadme väljalülitamiseks soovitud aja valimiseks vajutama ventilatori nuppu (C). Pärast taimer seadistamist kuvatakse kellaega 5 sekundit ja indikaator „Hr“ (C1) süttib. Pärast seadistusaja möödumist lülitub seade automaatselt välja.

Taimer vahemik on 1 kuni 24 tundi 1-tunnise intervalliga.

6. Lisaks ventilatori tööle tuleb aktiveerida või reaktiivse õhuringluse jaoks vajutada täiendavat ventilatori režiimi nuppu (D). Kui see ventilatori režiim on täiendava õhuringluse jaoks sisse lülitatud, on õhukuivatuse režiim välja lülitatud.

7. Lapseluku nuppu (E) tuleks 3 sekundit hoida ja hoida all, et kuulda heli, mis kinnitab, et sisestage nupud lukustuse olekusse. Praegu on mis tahes nupu vajutamine vale. Lapseluku nupp süttib ka sel ajal. Nuppude lukustusaja väljalülitamiseks vajutage uuesti lapseluku nuppu (E) ja hoidke seda 3 sekundit all, et kuulda nupu lukustuse tühistamist kinnitavat heli.

8. Ventilatori kiiruse nuppu (F) saab kasutada siis, kui seade on lülitatud ventilatori režiimile (D) või tavalisele õhukuivatuse režiimile (B1). Väikese või suure kiiruse valimiseks vajutage ventilatori kiiruse nuppu (F). Sobiv indikaator süttib (F1 või F2).

9. Kõikide muude indikaatorlampide, välja arvatud unerežiimi, väljalülitamiseks tuleks unerežiimi nuppu (G) vajutada. Juhtpaneeli varasemate seadistusfunktsioonide nägemiseks vajutage suvalist nuppu. 5 sekundit pärast jätkatakse unerežiimi toimimist. Unerežiimi tühistamiseks vajutage uuesti unerežiimi nuppu (G).

10. Seadme väljalülitamiseks vajutage uuesti toitelülitit (A), seadme masin peatub.

Veepaakide teenus

1. Kui veepaak (3) on täis või veepaak (3) pole õiges asendis, süttib juhtpaneelil (1) täisveepaagi näidik (K). Seade annab korduvaid äratushelisid, niiskuse märgutuli (10) hakkab vilkuma punast värvi.

2. Kui täisveemahuti märgutuli (K) vilgub, peatub masinasse paigaldatud kompressor nii, et see ei kondenseeruks vett enne, kui veepaak on tühi või õiges asendis, kuid ventilator töötab edasi.

3. Veepaagi (3) eemaldamiseks hoidke veemahuti külgi ja tõmmake välja. Ärge võtke ujukit (6) veepaagist (3) lahti. Vaata pilti 3.

4. Veepaagi (3) tühjendamiseks kallutage seda, nagu on näidatud joonisel 5, ja tühjendage vesi aeglaselt. Seejärel paigaldage veepaak (3) uuesti õhukuivatisse.

Pidev drenaažifunktsioon

1. Kui peate pikka aega õhku kuivatama, võite kasutada pideva äravoolu funktsiooni.

2. Tõmmake kummist pistikut (11), seejärel sisestage lisatud pidev äravooluvoolik (7) nagu joonisel 2.

3. Pärast pideva tühjendamise lõpetamist asetage kummipistik (11) tagasi ja lülitage seade välja.

Pidev äravooluvoolik: pikkus: 30 cm, siseläbimõõt: 17 mm, välisläbimõõt: 19 mm.

Puhastamine ja hooldus

1. Enne puhastamise või muu tavapärase hoolduse alustamist lülitage seade välja ja eemaldage toitepistik.

2. Elektrilöögi ohu vältimiseks ärge kunagi piserdage ega laske puhastamisel vett õhukuivatile.

3. Enne seadme teistsaldamist lülitage seade välja ja tühjendage vesi veepaagist. Liikumise ajal hoidke kindlasti käepidemest kinni.

4. Pühkige seade o märke lapiga üles.

5. Ärge võtke ujukit (6) veepaagist (3) lahti.

6. Enne pikaajalist kavandatud pidevat töötamist tuleb regulaarselt kontrollida eelkõige võrguõhufiltrit (8), aktiivsõefiltrit (12) ja äravooluvoolikut (7) vms.

7. Filtrite puhastamine või vahetamine:

- ühendage pistik lahti ja võtke veepaak (3) välja,

- eemaldage filtri korpus (9), nagu on näidatud joonisel 4,

- eemaldage võrgusilma filter (8) korpusest ja eemaldage aktiivsõefilter (12) ettevaatlikult

- puhastage mõlemad filtrid iga kahe nädala tagant tolmuimejaga. Kuivatustul

- pange filtrid filtri korpuse (9) sisse ja asetage need seadme korpusesse.

8. Ärge puhastage seadet bensiini, vedeldi või vedelate detergentidega.

TEHNILISED ANDMED:

Kuivatustõhusus temperatuuril 30 ° C / 80% RH): 10 liitrit / 24 tundi

Kuivatustõhusus temperatuuril 27 ° C / 60% RH): 5 liitrit / 24 tundi

Müratase: <= 45dB

Veepaagi maht: 2,2 liitrit

Õhuvool: 120 m³ / tunnis

R290 jahutusvedeliku kaal: max. 35 grammi

Rattitud sisendvõimsus: 200W

Maks. Rattitud sisendvõimsus: 245W

Toide: 220-240V ~ 50Hz



Ettevaatust, tuleoht.

MITTE läbistada ega põletada.

Pange tähele, et külmutusagens ei pruugi lõhna sisaldada.

Maksimaalne külmutusagensi laadimiskogus: 35 g.



Hoolitse keskkonnakaitse eest.

Kartongist pakendid vii makulatuuri. Kilekotid (PE) viska kasutatud plastiku jaoks ettenähtud mahutitesse. Kasutatud seadmed vii selleks ettenähtud kogumispunktidesse, sest seadmes leiduvad ohtlikud elemendid võivad olla kahjulikud keskkonnale. Elektriseadmed tuleb anda nii ära, et seadet ei saaks enam uuesti kasutada. Kui seadmes on patareid, tuleb need välja võtta ja anda eraldi kogumispunkti.

Seadet ei tohi visata olmejäätmete konteineritesse!!

CONDIȚII GENERALE DE SIGURANȚĂ
INSTRUCȚIUNI DE SIGURANȚĂ IMPORTANTE CITIȚI ÎNCETARE ȘI SALVAȚI
PENTRU VIITOR

1. Înainte de a utiliza dispozitivul, citiți manualul de operare și urmați instrucțiunile conținute de acesta. Producătorul nu este responsabil pentru daunele cauzate de utilizarea dispozitivului contrar scopului intenționat sau a funcționării necorespunzătoare a acestuia.
2. Aparatul este numai pentru uz casnic. Nu folosiți în alte scopuri care nu sunt destinate scopului său.
3. Dispozitivul trebuie conectat numai la o priză de curent alternativ cu o masă de pământ 220 240V ~ 50Hz. Pentru a spori siguranța operațională, mai multe dispozitive electrice nu ar trebui conectate la un circuit de curent în același timp.
4. Aveți precauție extremă atunci când utilizați dispozitivul când copiii sunt în apropiere. Nu permiteți copiilor să se joace cu dispozitivul, nu lăsați copiii sau persoanele necunoscute de dispozitiv să-l folosească.
5. AVERTIZARE: Acest echipament poate fi utilizat de copii peste 8 ani și de persoane cu capacitate fizică, senzorială sau mentală limitată sau de persoane care nu au experiență sau cunoștințe despre echipament, dacă acest lucru este realizat sub supravegherea unei persoane responsabile pentru siguranța lor sau le-a fost oferită informații despre utilizarea în siguranță a dispozitivului și sunt conștienți de pericolele folosirii acestuia. Copiii nu ar trebui să se joace cu echipamentul. Curățarea și întreținerea dispozitivului nu trebuie să fie efectuată de către copii, cu excepția cazului în care au peste 8 ani și aceste activități sunt desfășurate sub supraveghere.
6. Deconectați întotdeauna mufa de alimentare ținând priza cu mâna după utilizare. NU trageți cablul de alimentare.
7. Nu scufundați cablul, mufa și întregul dispozitiv în apă sau în orice alt lichid. Nu expuneți dispozitivul la condiții atmosferice (ploaie, soare etc.) și nu folosiți în condiții de umiditate ridicată (băi, case mobile umede).
8. Verificați periodic starea cablului de alimentare. În cazul în care cablul de alimentare este deteriorat, acesta trebuie înlocuit de un atelier de reparații de specialitate pentru a evita pericolul.
9. Nu folosiți aparatul cu un cablu de alimentare deteriorat sau dacă a fost aruncat sau deteriorat în alt mod sau dacă nu funcționează corect. Nu reparați singur dispozitivul, deoarece există riscul de electrocutare. Duceți dispozitivul deteriorat la un centru de service adecvat pentru verificare sau reparare. Toate reparațiile pot fi efectuate numai de către punctele de service autorizate. Reparațiile efectuate incorect pot cauza pericol grav pentru utilizator.
10. Așezați dispozitivul pe o suprafață rece, stabilă, departe de aparatele de bucătărie calde, cum ar fi: aragaz electric, arzător de gaz etc.
11. Asigurați-vă că nimic nu blochează intrarea și ieșirea aerului dispozitivului

12. Folosiți dispozitivul numai pe o suprafață plană pentru a preveni scurgerea condensului
13. Pentru a oferi o protecție suplimentară, este recomandabil să instalați un dispozitiv de curent rezidual (RCD) în circuitul electric cu un curent rezidual nominal care să nu depășească 30mA. Întrebați un electrician pentru asta.
14. Curățați regulat filtrul de aer. Frecvența curățării depinde de curățenia aerului.
15. După ce opriți mașina, așteptați cel puțin 5 minute înainte de a o porni din nou.
16. Pentru o dezumidificare eficientă, trebuie utilizat un spațiu de cel puțin 20 cm între pereții laterali ai dispozitivelor și mobilierul sau perdelele comprimate.
17. Pentru a evita riscul de incendiu sau explozie, nu pulverizați uscătorul
18. Pentru a utiliza piesele carcasei, nu așezați dezumidificatorul lângă dispozitivele de încălzire.
19. Scoateți apa colectată în rezervor. Apa potabilă accidentală sau utilizarea ei cu alte persoane poate provoca boli.
20. Nu acceptă dispozitivele cu capacul posterior îndepărtat din cauza pieselor mobile și fierbinți.
21. Nu folosiți niciun mijloc pentru a desfășura procesul de decongelare sau operare, altele decât cele recomandate de producător.
22. Dispozitivul trebuie să fie disponibil ca parte a unei liste permanente de surse de aprindere, adică fără flacără deschisă, fără un dispozitiv cu gaz de lucru sau fără un dispozitiv de încălzire.
23. Nu străpunge și nu fumează.
24. Vă rugăm să rețineți că producătorii de refrigerare nu pot conține parfum.

Înainte de prima utilizare:

1. Dezumidificatorul trebuie utilizat pe o suprafață plană și stabilă, pentru a menține distanțele între unitate și alte obiecte conform imaginii 1 pentru a asigura o eficiență adecvată. Închideți toate ferestrele și ușile camerei pe care doriți să le dezumidificați aerul.
2. Pentru a preveni înghețarea apei, nu folosiți dezumidificatorul și furtunul de scurgere la temperatura ambientă sub 0 ° C
3. Nu folosiți dezumidificatorul afară. Expunerea la soare directă sau la ploaie poate duce la supraîncălzire, șocuri electrice și incendiu.
4. Nu puneți rezervorul de apă pe dezumidificator pentru a evita orice vărsare de apă în unitate și deteriora izolația.
5. Nu încercați niciodată să folosiți dezumidificatorul pentru utilizări speciale, cum ar fi dezumidificarea alimentelor sau conservarea obiectelor de artă sau altele asemenea.
6. Nu folosiți dezumidificatorul unde poate avea loc scurgeri de ulei sau gaz inflamabil. Nu folosiți aparatul în locuri supuse substanțelor chimice.
7. Pentru o scurgere continuă, asigurați-vă că furtunul de scurgere este reglat corect cu pantă.
8. Aveți grijă ca un aparat de încălzire să nu fie expus vântului de la dezumidificator.
9. Nu folosiți dezumidificatorul ca scaun sau suport pentru picioare.
10. Nu scoateți pârgăhia de plutire din rezervorul de apă.
11. Nu blocați prizele de aer și ieșirile de aer.
12. Nu acoperiți unitatea cu haine spălate.

Înainte de operarea continuă pentru o durată lungă, este necesară verificarea periodică, în special pentru filtrul de aer curat, furtunul de evacuare sau altele asemenea.

Descrierea produsului: Dezumidificator de aer CR8157

- | | |
|---|------------------------------------|
| 1. Panou de control | 2. Admisie aer |
| 3. Rezervor de apă 2,2L | 4. Ieșire aer |
| 5. Mâner | 6. Flotor |
| 7. Furtun de scurgere | 8. Filtru de aer cu plasă |
| 9. Carcasa filtrului | 10. Indicator luminos de umiditate |
| 11. Dop de cauciuc pentru funcția de drenaj | 12. Filtru de cărbune activ |

Panou de control

- | | |
|---|---|
| A. Buton de alimentare | B. Buton de mod |
| B1. Indicator de mod normal de dezumidificare | B2. Indicator de mod de dezumidificare continuă |
| B3. Indicator puternic al modului de dezumidificare | B4. Indicator mod uscare haine |
| C. Temporizator 0-24 ore butonul | C1. Indicator de unitate de timp |
| D. Buton / indicator suplimentar modul ventilator | E. Buton / indicator de blocare pentru copii |
| F. Butonul de viteză a ventilatorului | F1. Indicator de viteză redusă a ventilatorului |
| F2. Indicator viteză mare ventilator | G. Buton / indicator mod Sleep |
| H. Buton de setare pentru umiditate 30-80% umiditate relativă | H1. Indicator de unitate de umiditate |
| J. Indicator mod decongelare | K. Indicator rezervor de apă complet |
| L. Afișaj digital al umidității și al. temporizatorului | |

Eficiență

- Aparatul efectuează automat dezghețarea la intervale regulate în funcție de temperatura camerei.
- a) Dacă temperatura camerei este egală sau depășește 24°C , dezghețarea este oprită.
- b) Dacă temperatura camerei este de 18°C - 24°C , dezghețarea este activată timp de 5 minute după fiecare 120 de minute de dezumidificare.
- c) Dacă temperatura camerei este de 12°C - 18°C , dezghețarea este activată timp de 5 minute după fiecare 25 de minute de dezumidificare.
- d) Dacă temperatura camerei este de 5°C - 12°C , dezghețarea este activată timp de 5 minute după fiecare 20 de minute de dezumidificare.
- În timpul operației de dezghețare, funcția de dezumidificare poate fi intermitentă.
- Vă rugăm să nu opriți comutatorul și să nu scoateți fișa de alimentare a dezumidicatorului în timpul operației de dezghețare.
- Acest dezumidificator nu poate fi aplicabil pentru a menține o temperatură extrem de scăzută. Funcția acestui dezumidificator este de a pompa umiditatea neplăcută și ridicată.

Capacitatea de dezumidificare

- Acest dezumidificator nu are funcție de răcire. Va produce căldură în timpul operației și va crește temperatura camerei cu $1-4^{\circ}\text{C}$.
- Capacitatea zilnică de dezumidificare a dezumidicatorului depinde de temperatura camerei și de umiditatea relativă. La temperaturi și umiditate relativă diferite, poate avea o capacitate de dezumidificare diferită.
- La aceeași temperatură a camerei, capacitatea de dezumidificare este mai mare la umiditatea relativă mai mare, iar capacitatea de dezumidificare este mai mică la umiditatea relativă mai mică. În aceeași umiditate relativă, capacitatea de dezumidificare este mai mare la temperaturi mai ridicate, iar capacitatea de dezumidificare este mai mică la temperaturi mai scăzute.
- Dacă dezumidicatorul este așezat în dulap, capacitatea sa de dezumidificare se poate reduce într-o perioadă scurtă de timp de la

funcționare, deoarece umiditatea din dulap a fost foarte redusă.

5. Pentru 5 ° C / 10 ° C / 15 ° C / 20 ° C / 25 ° C / 30 ° C de temperatura camerei și 80% din umiditatea relativă, capacitatea de dezumidificare este de aproximativ 2/4/6/8/10 litri de apă când ieșirea de aer este complet deschisă.

Indicator luminos de umiditate (10)

În timpul funcționării, indicatorul luminos de umiditate arată nivelul curent de umiditate din cameră:

- Culoarea albastră înseamnă umiditate scăzută sub 50% umiditate relativă
- Culoarea verde înseamnă umiditate medie în intervalul 51% - 69% umiditate relativă
- Culoarea roșie înseamnă umiditate ridicată peste 70% umiditate relativă

Vă rugăm să rețineți, valoarea umidității relative are o toleranță de 3% atunci când aprinde lumina de indicație corespunzătoare.

Operațiune

1. Vă rugăm să plasați unitatea mașinii în poziție verticală pentru a evita funcționarea greșită și sunetul neobișnuit. Păstrați distanțele dintre alte obiecte, așa cum se arată în imaginea 1. Conectați dispozitivul.

2. Comutatorul de alimentare (A) de pe panoul de control (1) trebuie apăsat pentru a porni dispozitivul. Afișajul digital (L) va arăta nivelul de umiditate prezent în cameră.

3. Butonul Mod (B) trebuie apăsat din nou pentru a alege modul de operare dorit între:

B1. Mod de dezumidificare obișnuit

Când alegeți acest mod, indicatorul B1 se va aprinde.

B2. Mod de dezumidificare continuă

Când alegeți acest mod, indicatorul B2 se va aprinde.

B3. Mod puternic de dezumidificare

Când alegeți acest mod, indicatorul B3 se va aprinde.

B4. Mod de uscare a hainelor

Când alegeți acest mod, indicatorul B4 se va aprinde.

4. Butonul de setare a umidității (H) trebuie apăsat din nou pentru a seta umiditatea dorită a camerei între 30-80% cu factor de reglare de 5%. Setarea umidității este valabilă numai în modul normal de dezumidificare (B1). După configurarea umidității camerei necesare, afișajul digital (L) va clipi pentru a-l aminti și dispozitivul începe să funcționeze. Apoi pe afișajul digital (L) este afișată umiditatea actuală a camerei. Este necesar să configurați umiditatea necesară a camerei la un nivel mai mic decât umiditatea actuală a camerei, altfel dispozitivul nu va începe dezumidificarea. Când umiditatea relativă din cameră este egală cu nivelul de umiditate relativă setat anterior pe afișaj, dispozitivul va opri automat compresorul, dezumidificatorul se va opri, doar ventilatorul va funcționa.

5. Butonul cronometru (C) operează două funcții:

Funcția DEPARTI DE ÎNTÂRZIERE

Cronometrul poate fi setat când dispozitivul este în starea oprită. Apăsăți butonul temporizator (C): indicatorul „Hr” (C1) de pe afișajul LED se aprinde și „00” va apărea pe afișajul digital (L); în 5 secunde, ar trebui să apăsați butonul temporizatorului (C) pentru a selecta ora dorită când dispozitivul trebuie să pornească. Odată ce temporizatorul a fost setat, timpul va fi afișat timp de 5 secunde, indicatorul „Hr” (C1) va fi aprins. Dispozitivul se va porni automat după trecerea timpului de configurare.

Setarea funcției Timer OFF - DELAY STOP

Funcția timer off poate fi setată când dispozitivul este în starea de pornire. Apăsăți butonul Timer (C): indicația „Hr” (C1) de pe afișajul LED se aprinde și „00” apare pe afișajul digital (L); în 5 secunde, ar trebui să apăsați butonul temporizator (C) pentru a selecta timpul dorit pentru ca dispozitivul să se oprească. După setarea temporizatorului, ora va fi afișată timp de 5 secunde și indicatorul „Hr” (C1) se aprinde. Dispozitivul se va opri automat după trecerea timpului de configurare.

Intervalul temporizatorului este de la 1 la 24 de ore cu un interval de 1 oră.

6. În plus față de funcționarea ventilatorului, trebuie să apăsați butonul suplimentar pentru modul ventilator (D) pentru circulația aerului activ sau reactiv. Când acest mod ventilator este activat pentru o circulație suplimentară a aerului, modul de dezumidificare este oprit.
7. Butonul de blocare pentru copii (E) ar trebui să fie apăsat și ținut apăsat timp de 3 secunde pentru a auzi sunetul care confirmă introducerea butoanelor pentru blocarea stării, în acest moment apăsarea oricărui buton este invalidă. Butonul de blocare pentru copii este aprins și în acest moment. Pentru a opri blocarea butoanelor, apăsați din nou butonul de blocare pentru copii (E) și țineți-l apăsat timp de 3 secunde pentru a auzi sunetul care confirmă anularea stării de blocare a butoanelor.
8. Butonul de turație a ventilatorului (F) poate fi acționat atunci când dispozitivul este comutat în modul ventilator (D) sau în modul normal de dezumidificare (B1). Apăsați butonul de viteză al ventilatorului (F) pentru a selecta între viteză mică sau viteză mare. Indicatorul potrivit va fi aprins (F1 sau F2).
9. Butonul pentru modul Sleep (G) trebuie apăsat pentru a opri toate celelalte indicatoare luminoase, cu excepția modului Sleep. Apăsați orice buton pentru a vedea funcțiile de configurare anterioare de pe panoul de control. După 5 secunde, funcționarea modului de repaus va continua. Pentru a anula modul de repaus, apăsați din nou butonul modului de repaus (G).
10. Apăsați din nou comutatorul de alimentare (A) pentru a opri dispozitivul, mașina unitară nu mai funcționează.

Serviciu rezervor de apă

1. Dacă rezervorul de apă (3) este plin sau rezervorul de apă (3) nu este instalat în poziția corectă, atunci indicatorul rezervorului de apă complet (K) se aprinde la panoul de control (1). Dispozitivul va emite sunete de alarmă repetate, indicatorul luminos de umiditate (10) începe să clipească în culoarea roșie.
2. Când indicatorul luminos al rezervorului de apă plin (K) clipește, compresorul instalat în interiorul mașinii se oprește astfel încât să nu condenseze apa până când rezervorul de apă este gol sau setat în poziția corectă, dar ventilatorul continuă să funcționeze.
3. Pentru a scoate rezervorul de apă (3), vă rugăm să țineți laturile rezervorului de apă și să trageți afară. Nu demontați plutitorul (6) din rezervorul de apă (3). Uită-te la imaginea 3.
4. Pentru a goli rezervorul de apă (3), înclinați-l așa cum se arată în imaginea 5 și scurgeți apa încet. Apoi reinstalați rezervorul de apă (3) în dezumidificator.

Funcție de drenaj continuu

1. Dacă trebuie să dezumidificați aerul mult timp, puteți utiliza funcția de drenaj continuu.
 2. Trageți dopul de cauciuc (11), apoi introduceți furtunul de scurgere continuă atașat (7), ca în imaginea 2.
 3. După terminarea scurgerii continue, înlocuiți dopul de cauciuc (11) și opriți dispozitivul.
- Furtun de scurgere continuu: lungime: 30 cm, diametru interior: 17 mm, diametru exterior: 19 mm.

Curatenie si mentenanta

1. Opriți unitatea și deconectați fișa de alimentare înainte de a începe orice curățare sau altă întreținere de rutină.
2. Pentru a evita riscul de electrocutare, nu stropiți și nu vărsați niciodată apă pe dezumidificator la curățare.
3. Opriți dispozitivul și goliți apa din rezervorul de apă înainte de a muta dispozitivul. Asigurați-vă că țineți mânerul în timp ce vă deplasați.
4. Ștergeți carcasa dispozitivului cu o cârpă umedă.
5. Nu demontați plutitorul (6) din rezervorul de apă (3).
6. Înainte de o funcționare continuă planificată pentru o durată lungă de timp, este necesară verificarea periodică, în special pentru filtrul de aer net (8), filtrul cu cărbune activ (12) și furtunul de evacuare (7) sau altele asemenea.
7. Pentru a curăța sau înlocui filtrele:
 - deconectați ștecherul și scoateți rezervorul de apă (3),
 - scoateți carcasa filtrului (9) așa cum se arată în figura 4,
 - scoateți filtrul cu plasă (8) din carcasă și îndepărtați ușor filtrul cu cărbune activ (12)

- curățați ambele filtre la fiecare două săptămâni cu un aspirator. Performanța de dezumidificare poate scădea atunci când filtrele sunt înfundate cu resturi.

- introduceți filtrele în interiorul carcasei filtrului (9) și introduceți-le în carcasa dispozitivului.

8. Nu curățați dispozitivul cu benzină, diluant sau detergent lichid.

DATE TEHNICE:

Dezumidificați capacitatea la 30 ° C / 80% RH): 10 litri / 24 ore

Dezumidificați capacitatea la 27 ° C / 60% RH): 5 litri / 24 ore

Nivel de zgomot: <= 45dB

Capacitatea rezervorului de apă: 2,2 litri

Debit de aer: 120 m³ / oră

Greutatea lichidului de răcire R290: max. 35 grame

Putere de intrare ratată: 200W

Max. Putere de intrare ratată: 245W

Alimentare: 220-240V ~ 50Hz



Atenție, risc de incendiu.

NU străpungeți și nu ardeți.

Rețineți că agentul frigorific nu poate conține miros.

Cantitatea maximă de încărcare a agentului frigorific: 35g



Din grija pentru mediu înconjurător. Ambalajele din carton vă rugăm să le transmiteți la centrele de maculatură. Sacii din polietilenă (PE) trebuie aruncați în recipientele pentru materialele plastice. Dispozitivul uzat trebuie transmis la punctul corespunzător de depozitare, deoarece componentele periculoase care se găsesc în dispozitiv pot fi foarte periculoase pentru mediu înconjurător. Dispozitivul electric trebuie transmis în așa fel încât să se limiteze utilizarea lui repetată. Dacă în dispozitiv se găsesc baterii acestea trebuie scoase și transmise către punctul de depozitare a acestora, separat.

BOSANSKI

OPĆI UVJETI SIGURNOSTI

VAŽNE SIGURNOSNE UPUTE PROČITAJTE UPOZORENJE I UŠTEDITE BUDUĆNOST

1. Prije upotrebe uređaja, pročitajte korisnički priručnik i slijedite upute sadržane u njemu. Proizvođač ne odgovara za štetu nastalu upotrebom uređaja suprotno njegovoj predviđenoj namjeni ili nepravilnom radu.
2. Uređaj je namenjen samo za kućnu upotrebu. Ne koristite za druge svrhe koje nisu prema njegovoj predviđenoj namjeni.
3. Uređaj treba priključiti na izmjeničnu utičnicu samo uzemljenim 220 240V ~ 50Hz. Da bi se povećala operativna sigurnost, više električnih uređaja ne smije istovremeno biti povezano na jedan strujni krug.
4. Budite izuzetno oprezni kada koristite uređaj kada su djeca u blizini. Ne dozvolite djeci da se igraju s uređajem, ne dozvolite djeci ili osobama koje nisu upoznate s uređajem da ga koriste.
5. UPOZORENJE: Ovu opremu mogu koristiti djeca starija od 8 godina i osobe ograničene fizičke, senzorne ili mentalne sposobnosti, ili ljudi koji nemaju iskustva ili znanje o opremi, ako se to radi pod nadzorom odgovorne osobe radi njihove sigurnosti ili su im odobreni podaci o sigurnoj upotrebi uređaja i svjesni su opasnosti korištenja. Deca se ne smeju igrati sa opremom. Čišćenje i održavanje uređaja ne smiju obavljati djeca, osim ako su starija od 8 godina i ove aktivnosti se izvode pod nadzorom.
6. Uvek isključite utikač držeći utičnicu rukom nakon upotrebe. NE povlačite kabl za napajanje.

7. Nemojte uranjati kabl, utikač i cijeli uređaj u vodu ili bilo koju drugu tečnost. Ne izlažite uređaj atmosferskim uvjetima (kiša, sunce itd...) I ne koristite u uvjetima visoke vlažnosti (kupaonice, vlažne mobilne kućice).
8. Povremeno provjeravajte stanje kabela za napajanje. Ako je kabl za napajanje oštećen, zamijenite ga specijalnom servisnom radionicom kako biste izbjegli opasnost.
9. Ne koristite uređaj s oštećenim kablom za napajanje ili ako je ispao ili oštećen na bilo koji drugi način ili ako ne radi ispravno. Ne popravljajte uređaj sami jer postoji opasnost od električnog udara. Oštećeni uređaj odnesite u odgovarajući servisni centar radi provjere ili popravljanja. Sve popravke smiju obavljati samo ovlašteni servisi. Nepravilno izvedeni popravci mogu predstavljati ozbiljnu opasnost za korisnika.
10. Uređaj postavite na hladnu i stabilnu površinu, dalje od vrućih kuhinjskih uređaja kao što su: električni štednjak, plinski plamenik itd...
11. Pazite da ništa ne blokira dovod i izlaz zraka na uređaju
12. Koristite uređaj samo na ravnoj površini kako biste spriječili da se kondenzacija prolije
13. Da biste osigurali dodatnu zaštitu, preporučljivo je u električni krug instalirati zaostalu struju (RCD), nazivna zaostala struja koja ne prelazi 30mA. Pitajte za to električara.
14. Redovno čistite filter za vazduh. Učestalost čišćenja ovisi o čistoći zraka.
15. Nakon isključenja uređaja pričekajte najmanje 5 minuta prije nego što ga ponovo uključite.
16. Za učinkovito odvlaživanje treba koristiti razmak od najmanje 20 cm između bočnih zidova uređaja i komprimiranog namještaja ili zavjesa.
17. Da biste izbjegli opasnost od požara ili eksplozije, ne prskajte sušilicu
18. Da biste koristili dijelove kućišta, ne postavljajte ovlaživač u blizinu grijaćih uređaja.
19. Uklonite vodu sakupljenu u rezervoaru. Slučajna konzumacija vode ili upotreba s drugim ljudima može uzrokovati bolest.
20. Ne podržava uređaje sa stražnjim poklopcem uklonjenim zbog pokretnih i vrućih dijelova.
21. Nemojte koristiti sredstva za otapanje ili rukovanje drugim proizvodima osim onih koje je preporučio proizvođač.
22. Uređaj bi trebao biti dostupan u sklopu trajne liste izvora paljenja, tj. Bez otvorenog plamena, bez radnog plinskog uređaja ili bez grijača radnog uređaja.
23. Ne probijajte i ne pušite.
24. Imajte na umu da proizvođači proizvoda za hlađenje možda ne sadrže mirise.

Prije prve upotrebe:

1. Odvlaživač mora se koristiti na ravnoj i stabilnoj površini, držati udaljenosti između jedinice i drugih predmeta u skladu sa slikom 1 kako bi se osigurala odgovarajuća učinkovitost. Zatvorite sve prozore i vrata prostorije u kojoj želite odmrzavati zrak.
2. Da biste spriječili zamrzavanje vode, ne koristite odvlaživač i odvodno crijevo na sobnoj temperaturi ispod 0 ° C
3. Ne koristite odvlaživač vani. Izloženost direktnoj sunčevoj svjetlosti ili kiši može rezultirati pregrijavanjem, strujnim udarom i požarom.
4. Ne stavljajte rezervoar za vodu na odvlaživač kako biste izbjegli prolijevanje vode u uređaj unutar i narušilo izolaciju.
5. Nikada ne pokušavajte koristiti odvlaživač za posebne namjene, poput odmrzavanja hrane ili očuvanja umjetničkih predmeta ili slično.
6. Ne koristite sredstvo za odvlaživanje zraka tamo gdje može doći do curenja ulja ili zapaljivog plina. Ne koristite jedinicu na mjestima koja su izložena kemikalijama.
7. Za neprekidno pražnjenje, osigurajte da je odvodno crijevo pravilno postavljeno uz nagib.
8. Pazite da uređaj za grijanje ne bude izložen vjetru iz uređaja za odvlaživanje zraka.
9. Ne koristite odvlaživač zraka kao stolicu ili podlogu za stopala.

10. Ne uklanjajte ručicu plovk iz spremnika vode.

11. Ne blokirajte otvore za vazduh i otvore za vazduh.

12. Ne prekrivajte jedinicu opranom odjećom.

Prije kontinuiranog rada dugog vremena, potrebna je periodična provjera posebno za filtar za čišćenje zraka, crijevo za odvod ili slično.

Opis proizvoda: Odvlaživač zraka Cr7851

- | | |
|------------------------------------|---------------------------------|
| 1. Kontrolna ploča | 2. Ulaz zraka |
| 3. Rezervoar za vodu 2,2L | 4. Izlaz za zrak |
| 5. Ručka | 6. Floater |
| 7. Odvodno crijevo | 8. Mrežasti zračni filter |
| 9. Kućište filtra | 10. Svjetlo indikatora vlage |
| 11. Gumeni čep za funkciju drenaže | 12. Filter sa aktivnim ugljenom |

Kontrolna tabla

- | | |
|--|---|
| A. Dugme za napajanje | B. Dugme za način rada |
| B1. Uobičajeni indikator načina odvlaživanja | B2. Indikator kontinuiranog odvlaživanja |
| B3. Pokazatelj jakog odvlaživanja zraka | B4. Indikator načina sušenja odjeće |
| C. Dugme za tajmer 0-24 sata | C1. Pokazatelj vremenske jedinice |
| D. Dugme / indikator dodatnog načina rada ventilatora | E. Dugme / indikator brave za zaštitu djece |
| F. Dugme brzine ventilatora | F1. Indikator male brzine ventilatora |
| F2. Indikator velike brzine ventilatora | G. Dugme / indikator režima mirovanja |
| H. Tipka za podešavanje vlage 30-80% relativne vlažnosti | H1. Indikator jedinice vlažnosti |
| J. Indikator načina odmrzavanja | K. Indikator punog spremnika za vodu |
| L. Digitalni prikaz vlažnosti i tajmer | |

- Efikasnost
- Uređaj automatski vrši odmrzavanje u redovnim intervalima u skladu sa sobnom temperaturom.
 - a) Ako je sobna temperatura jednaka ili veća od 24 ° C, odmrzavanje se zaustavlja.
 - b) Ako je sobna temperatura 18 ° C -24 ° C, odmrzavanje se uključuje na 5 minuta nakon svakih 120 minuta odvlaživanja.
 - c) Ako je sobna temperatura 12 ° C -18 ° C, odmrzavanje se uključuje 5 minuta nakon svakih 25 minuta odvlaživanja.
 - d) Ako je sobna temperatura 5 ° C -12 ° C, odmrzavanje se uključuje na 5 minuta nakon svakih 20 minuta odvlaživanja.
2. Tijekom postupka odmrzavanja, funkcija odvlaživanja može biti prekinuta.
3. Molimo nemojte isključiti prekidač ili izvući utikač za odvlaživanje zraka tijekom postupka odmrzavanja.
4. Ovaj odvlaživač ne može se primijeniti za održavanje ekstremno niskih temperatura. Funkcija ovog odvlaživača zraka je ispušavanje neugodne, visoke vlažnosti.

Kapacitet odvlaživanja

- Ovaj odvlaživač nema funkciju hlađenja. Proizvest će toplinu tijekom rada i povećati sobnu temperaturu za 1-4 ° C.
- Dnevni kapacitet odvlaživanja odvlaživača ovisi o sobnoj temperaturi i relativnoj vlažnosti. Pri različitim temperaturama i relativnoj vlažnosti, može imati različit kapacitet odvlaživanja.
- Na istoj sobnoj temperaturi, kapacitet odvlaživanja je veći pri većoj relativnoj vlažnosti, a kapacitet odvlaživanja je niži pri nižoj relativnoj vlažnosti. U istoj relativnoj vlažnosti, kapacitet odvlaživanja je veći pri višim temperaturama, a kapacitet odvlaživanja je niži pri nižoj temperaturi.
- Ako se odvlaživač stavi u ormar, njegov kapacitet odvlaživanja može se jako smanjiti u kratkom periodu nakon rada, jer je vlaga u ormariću jako smanjena.
- Za 5 ° C / 10 ° C / 15 ° C / 20 ° C / 25 ° C / 30 ° C sobne temperature i 80% relativne vlažnosti, kapacitet odvlaživanja je oko 2/4/6/8/10 litara vode kada je izlaz za zrak potpuno otvoren.

Svjetlo indikatora vlažnosti (10)

Tokom rada, indikatorna lampica vlažnosti pokazuje trenutni nivo vlažnosti u sobi:

- Plava boja znači nisku vlažnost ispod 50% relativne vlažnosti
- Zelena boja znači srednju vlažnost zraka u rasponu od 51% do 69% relativne vlažnosti
- Crvena boja znači visoku vlažnost zraka preko 70% relativne vlažnosti

Imajte na umu da vrijednost relativne vlažnosti zraka ima 3% tolerancije kada svijetli odgovarajuću indikacijsku lampicu.

Operacija

- Postavite jedinicu stroja uspravno kako biste izbjegli pogrešno rukovanje i neobičan zvuk. Pridržavajte se udaljenosti između ostalih predmeta kao što je prikazano na slici 1. Priključite uređaj.
- Prekidač za napajanje (A) na kontrolnoj ploči (1) treba pritisnuti da biste uključili uređaj. Digitalni zaslon (L) prikazat će trenutni nivo vlažnosti u sobi.
- Dugme režima (B) treba ponovo pritisnuti za odabir željenog načina rada između:

B1. Uobičajeni način odvlaživanja

Kada odaberete ovaj način rada, zasvijetlit će indikator B1.

B2. Način kontinuiranog odvlaživanja

Kada odaberete ovaj način rada, zasvijetlit će indikator B2.

B3. Način snažnog odvlaživanja

Kada odaberete ovaj način rada, zasvijetlit će indikator B3.

B4. Način sušenja odjeće

Kada odaberete ovaj način rada, zasvijetlit će indikator B4.

4. Treba ponovo pritisnuti tipku za podešavanje vlažnosti (H) da se postavi željena sobna vlaga između 30-80% s 5% faktora podešavanja. Postavka vlažnosti vrijedi samo u režimu uobičajenog odvlaživanja (B1). Nakon postavljanja potrebne vlažnosti u sobi, digitalni zaslon (L) će treptati kako bi ga zapamtio i uređaj počeo raditi. Dalje na digitalnom displeju (L) prikazuje se prisutna vlažnost u sobi. Potrebno je postaviti potrebnu vlažnost u sobi na nižu razinu od trenutne vlažnosti u sobi, inače uređaj neće započeti odvlaživanje. Kada je relativna vlažnost u sobi jednaka razini relativne vlažnosti zraka prethodno postavljenoj na zaslonu, uređaj će automatski isključiti kompresor, odvlaživač će se zaustaviti, raditi će samo ventilator.

5. Tipka za odbrojavanje (C) ima dvije funkcije:

DELAY START funkcija

Tajmer se može postaviti kada je uređaj u stanju isključenosti. Pritisnite dugme za odbrojavanje (C): Indikator "Hr" (C1) svijetli na LED displeju i na digitalnom displeju (L) će se pojaviti "00"; u roku od 5 sekundi, trebali biste pritisnuti tipku za odbrojavanje (C) da biste odabrali željeno vrijeme kada se uređaj mora uključiti. Nakon što je tajmer postavljen, vrijeme će se prikazivati 5 sekundi, a indikator "Hr" (C1) će biti uključen. Uređaj će se automatski uključiti nakon isteka vremena podešavanja.

Postavljanje funkcije Timer OFF - DELAY STOP

Funkcija isključenja tajmera može se postaviti kada je uređaj u statusu uključivanja. Pritisnite tipku Tajmer (C): na LED displeju svijetli indikacija „Hr“ (C1) i na digitalnom displeju (L) se pojavljuje „00“; u roku od 5 sekundi trebali biste pritisnuti tipku tajmera (C) da biste odabrali željeno vrijeme za isključivanje uređaja. Nakon postavljanja tajmera, vrijeme će se prikazati 5 sekundi i uključit će se indikator "Hr" (C1). Uređaj će se automatski isključiti nakon isteka vremena podešavanja.

Raspon tajmera je od 1 do 24 sata s intervalom od 1 sata.

6. Dodatni gumb za način rada ventilatora (D) treba pritisnuti za aktivnu ili reaktivnu cirkulaciju zraka uz rad ventilatora. Kada je ovaj način ventilatora uključen za dodatnu cirkulaciju zraka, način odvlaživanja se isključuje.

7. Dugme za zaključavanje za djecu (E) treba pritisnuti i držati 3 sekunde da biste čuli zvuk koji potvrđuje ulazak u tipke za zaključavanje, a trenutno je bilo koje pritiskanje nevažeće. U to vrijeme svijetli i tipka za zaštitu djece. Da biste isključili zaslon za zaključavanje tipki, pritisnite ponovno tipku za zaključavanje za djecu (E) i držite ga 3 sekunde da biste čuli zvuk koji potvrđuje otkazivanje stanja zaključavanja tipki.

8. Tipkom za brzinu ventilatora (F) možete upravljati kada se uređaj prebaci u način rada ventilatora (D) ili uobičajeni način odvlaživanja (B1). Pritisnite tipku za brzinu ventilatora (F) za odabir između male ili velike brzine. Prikladni indikator će zasvijetliti (F1 ili F2).

9. Dugme režima mirovanja (G) treba pritisnuti za isključivanje svih ostalih lampica indikatora, osim režima spavanja. Pritisnite bilo koje dugme da biste vidjeli ranije postavljene funkcije na kontrolnoj ploči. Nakon 5 sekundi nastavit će se rad režima mirovanja. Da biste otkazali način mirovanja, ponovo pritisnite tipku mirovanja (G).

10. Pritisnite ponovo prekidač za napajanje (A) da biste isključili uređaj, aparat uređaja prestaje raditi.

Servis rezervoara za vodu

1. Ako je spremnik za vodu (3) pun ili spremnik za vodu (3) nije instaliran u ispravnom položaju, na kontrolnoj ploči (1) svijetli indikacija punog spremnika za vodu (K). Uređaj će se ponavljati zvukovima alarma, lampica indikatora vlažnosti (10) počinje treptati crvenom bojom.

2. Kada trepće indikatorska lampica punog spremnika za vodu (K), kompresor instaliran u mašini zaustavlja se tako da ne kondenzira vodu sve dok spremnik za vodu nije prazan ili postavljen u pravilan položaj, ali ventilator i dalje radi.

3. Da biste uklonili spremnik za vodu (3), pridržavajte bokove spremnika za vodu i izvucite ga. Ne demontirajte plovak (6) iz spremnika za vodu (3). Pogledajte sliku 3.

4. Da biste ispraznili spremnik za vodu (3), nagnite ga kao što je prikazano na slici 5 i polako ispuštajte vodu. Zatim ponovo instalirajte spremnik za vodu (3) u odvlaživač zraka.

Kontinuirana funkcija odvodnje

1. Ako vam je potrebno dugo vremena odvlažiti zrak, možete koristiti funkciju kontinuirane drenaže.

2. Povucite gumeni čep (11), a zatim umetnite priključeno kontinuirano odvodno crijevo (7) kao na slici 2.

3. Nakon završetka kontinuiranog pražnjenja, vratite gumeni čep (11) i isključite uređaj.

Crijevo za kontinuirano odvod: dužina: 30 cm, unutarnji promjer: 17 mm, vanjski promjer: 19 mm.

Čišćenje i održavanje

1. Isključite jedinicu i iskopčajte utikač iz struje prije bilo kakvog čišćenja ili drugog redovnog održavanja.

2. Da biste izbjegli rizik od strujnog udara, nikada nemojte prskati ili prosipati vodu na odvlaživač zraka prilikom čišćenja.

3. Isključite uređaj i ispraznite vodu iz spremnika za vodu prije premještanja uređaja. Držite ručku dok se krećete.

4. Obrišite kućište o uređaja mokrom krpom.

5. Ne demontirajte plovak (6) iz spremnika za vodu (3).

6. Prije planiranog kontinuiranog dugotrajnog rada, potrebna je povremena provjera, posebno mrežnog filtra za zrak (8), filtra s aktivnim ugljenom (12) i odvodnog crijeva (7), ili slično.

7. Da biste očistili ili zamijenili filtere:

- odvojite utikač i izvadite spremnik za vodu (3),
 - uklonite kućište filtra (9) kako je prikazano na slici 4,
 - uklonite mrežasti filter (8) s kućišta i nježno uklonite filter s aktivnim ugljenom (12)
 - očistite oba filtera svaka dva tjedna usisavačem. Izvedba odvlaživanja može se smanjiti kada su filteri začepljeni ostacima.
 - stavite filtere u kućište filtra (9) i stavite ih u kućište uređaja.
8. Ne čistite uređaj benzinom, razređivačem ili tečnim deterdžentom.

TEHNIČKI PODACI:

Kapacitet odvlaživanja na 30 ° C / 80% RH): 10 litara / 24 sata

Kapacitet odvlaživanja na 27 ° C / 60% RH): 5 litara / 24 sata

Nivo buke: <= 45dB

Kapacitet spremnika za vodu: 2,2 litre

Protok vazduha: 120 m3 / sat

Težina rashladne tečnosti R290: maks. 35 grama

Snaga ulazne snage: 200W

Maks. Snaga ulazne snage: 245W

Napajanje: 220-240V ~ 50Hz



Oprez, opasnost od požara

NE bušite i ne palite.

Imajte na umu da rashladno sredstvo ne sadrži miris.

Maksimalna količina punjenja rashladnog sredstva: 35g.



Brinući za okoliš. Molimo Vas da kartonska pakovanja odnesete u otkup otpadnog papira. Polietilenske džakove (PE) bacajte u kontejner za plastiku. Iskorišćen uređaj treba odneti na odgovarajuću deponiju, jer opasni sastojci koji se u njemu nalaze, mogu biti opasni za okoliš. Električni uređaj treba odneti na način, koji ograničava njegovu ponovnu upotrebu i korištenje. Ako se u uređaju nalaze baterije, treba ih izvaditi i odvojeno predati na deponiju. Uređaj se ne smije bacati u kontejner za komunalni otpad!!

MAGYAR

ÁLTALÁNOS BIZTONSÁGI FELTÉTELEK FONTOS BIZTONSÁGI UTASÍTÁSOK FIGYELMESEN OLVASSA EL ÉS TÖRVÉNYE JÖVŐBEN

1. A készülék használata előtt olvassa el a használati útmutatót, és kövesse az abban található utasításokat. A gyártó nem felel a kárért, amelyet az eszköz rendeltetésszerű használatának vagy nem megfelelő működésének okozott.
2. A készülék csak otthoni használatra készült. Ne használja más célra, amely nem a rendeltetésszerű.
3. A készüléket csak földelt 220 240 V ~ 50Hz feszültségű hálózati aljzathoz szabad csatlakoztatni. Az üzembiztonság növelése érdekében több elektromos készüléket nem szabad egyszerre csatlakoztatni egy áramkörhöz.
4. Nagyon óvatosan járjon el az eszköz használatakor, ha a közelben vannak gyermekek. Ne engedje, hogy gyermekek játsszanak az eszközzel, ne engedjék, hogy gyermekek vagy a készüléket ismeretlen emberek használják.
5. FIGYELMEZTETÉS: Ezt a készüléket 8 évesnél idősebb gyermekek és korlátozott fizikai, érzékszervi vagy mentális képességekkel rendelkező személyek, vagy azok a személyek használhatják, akiknek nincs tapasztalata vagy ismerete a berendezésről, ha ezt egy felelős személy felügyelete alatt végzik. biztonságuk érdekében, vagy információkat kaptak nekik az eszköz biztonságos használatáról, és tisztában vannak annak használatának veszélyeivel. A gyermekek nem játszhatnak a felszereléssel. Az eszköz tisztítását és karbantartását csak gyermekek végezhetik, kivéve ha 8 évesnél idősebbek, és ezeket a tevékenységeket felügyelet mellett végzik el.
6. Használat után mindig húzza ki a hálózati csatlakozót az aljzat kezével. NE húzza be a tápkábelt.
7. Ne merítse a kábelt, a dugót és az egész készüléket vízbe vagy más folyadékba. Ne

tegye ki a készüléket légköri körülményeknek (eső, nap, stb.), illetve ne használja magas páratartalom esetén (fürdőszoba, nedves mobilházak).

8. Rendszeresen ellenőrizze a tápkábel állapotát. Ha a tápkábel sérült, akkor a veszély elkerülése érdekében szakszervizben kell cserélni.

9. Ne használja a készüléket sérült tápkábelrel, ha leesett vagy egyéb módon megsérült, vagy nem működik megfelelően. Ne javítsa saját kezűleg a készüléket, mert fennáll az áramütés veszélye. Vigye a sérült készüléket megfelelő szervizközpontba ellenőrzés vagy javítás céljából. Minden javítást csak hivatalos szerviz végezhet. A helytelenül elvégzett javítások súlyos veszélyt jelenthetnek a felhasználó számára.

10. Helyezze a készüléket hűvös, stabil felületre, távol a forró konyhai készülékektől, például: elektromos tűzhely, gázégő stb.

11. Ellenőrizze, hogy semmi nem akadályozza-e a készülék levegő be- és kimenetet

12. A készüléket csak sík felületen használja, hogy megakadályozza a kondenzvíz kiömlését

13. A kiegészítő védelem érdekében tanácsos az áramkörbe beépíteni olyan maradékáram-eszközt (RCD), amelynek névleges maradékáram nem haladja meg a 30 mA-t. Kérdezzen egy villanszerelőtől.

14. Rendszeresen tisztítsa meg a légszűrőt. A tisztítás gyakorisága a levegő tisztaságától függ.

15. A gép kikapcsolása után várjon legalább 5 percet, mielőtt újra bekapcsolja.

16. A hatékony szárítás érdekében legalább 20 cm rést kell használni az eszközök oldalfalai és a sűrített bútorok vagy függönyök között.

17. A tűz vagy robbanás kockázatának elkerülése érdekében ne permetezze be a szárítógépet

18. A ház alkatrészeinek használatához ne tegye a szárítót fűtőberendezések közelébe.

19. Távolítsa el a tartályból összegyűjtött vizet. Véletlen ivás vagy más emberekkel történő betegség betegséget okozhat.

20. Nem támogatja azokat az eszközöket, amelyeknek a hátlapja mozgó és forró alkatrészek miatt le lett távolítva.

21. A felolvasztás vagy a működési folyamat elvégzéséhez csak a gyártó által ajánlott eszközöket használjon.

22. Az eszköznek a gyújtóforrások állandó listájának részeként rendelkezésre kell állnia, vagyis nyílt láng nélkül, működő gázkészülék vagy működő eszköz fűtőberendezése nélkül.

23. Ne szúrja át és ne dohányozzon.

24. Felhívjuk figyelmét, hogy a hűtőgyártók nem tartalmazhatnak illatanyagokat.

Az első használat előtt:

1. A párátlanítót sík és stabil felületen kell használni, a megfelelő hatékonyság biztosítása érdekében tartson távolságot az egység és más tárgyak között az 1. ábra szerint. Csatolja be az összes ablakot és ajtót a helyiségből, ahol száradni kívánja a levegőt.

2. A víz fagyásának elkerülése érdekében ne használja a szárítót és a lefolyótömlőt 0 ° C alatti környezeti hőmérsékleten.

3. Ne használja a szárítót kívül. A közvetlen napfénynek vagy esőnek való kitettség túlmelegedést, áramütést és tüzet okozhat.

4. Ne tegye a víztartályt a páramentesítőbe, hogy ne kerüljön víz a készülék belsejébe, és ne károsodjon a szigetelése.

5. Soha ne kísérelje meg a szárítót speciális célokra, például ételek szárításához vagy műtárgyak tartósításához vagy hasonlóhoz.

6. Ne használja a szárítót, ahol olaj vagy gyúlékony gáz szivároghat. Ne használja a készüléket vegyi anyagoknak kitett helyeken.

7. A folyamatos leeresztéshez ellenőrizze, hogy a leeresztőcső megfelelően van-e beállítva lejtőn.

8. Vigyázzon, hogy a fűtőkészülék ne legyen kitéve a párátlanító szélének.

9. Ne használja a páratlanítót széként vagy lábszárként.

10. Ne vegye le az úszókart a víztartályból.

11. Ne takarja el a levegő bemeneti nyílásait és a levegő kimeneteit.

12. Ne takarja le a mosott ruhát.

A hosszú ideig tartó folyamatos üzemeltetés előtt rendszeresen ellenőrizni kell a levegőtisztító szűrőt, a leeresztő tömlőt vagy hasonlót.

Termékleírás: CR7851 légszárító

- | | |
|--|----------------------------|
| 1. Vezérlőpult | 2. Levegőbemenet |
| 3. Víztartály 2,2L | 4. Levegő kimenet |
| 5. Fogantyú | 6. Úszó |
| 7. Leeresztő tömlő | 8. Hálós légszűrő |
| 9. A szűrő háza | 10. Páratartalom jelzőfény |
| 11. Gumi dugó a vízelvezető funkcióhoz | 12. Aktivszén-szűrő |

Vezérlőpult

- | | |
|--|--|
| A. Bekapcsoló gomb | B. Üzem mód gomb |
| B1. Normál páramentesítési mód jelző | B2. Folyamatos páratlanítási mód jelzője |
| B3. Erős páramentesítési mód jelző | B4. Ruhaszárítási üzemmód kijelző |
| C. Időzítő 0-24 óra | C1 gomb. Időegység jelző |
| D. Kiegészítő ventilátor üzemmód gomb / jelző | E. Gyerekzár gomb / jelző |
| F. Ventilátor sebesség gomb | F1. Alacsony ventilátorsebesség jelző |
| F2. Nagy ventilátorsebesség-jelző | G. Alvó üzemmód gomb / jelzőfény |
| H. Beállító gomb a páratartalom 30-80% relatív páratartalomhoz | H1. Páratartalom-mutató |
| J. Leolvasztási mód jelzője | K. Teljes víztartály kijelző |
| L. A páratartalom és az időzítő digitális kijelzése | |

Hatékonyaság

1. A készülék a helyiség hőmérsékletének megfelelően, rendszeres időközönként automatikusan végrehajtja a leolvasztást.

- a) Ha a szobahőmérséklet egyenlő vagy meghaladja a 24 ° C-ot, a leolvasztás leáll.
 - b) Ha a szobahőmérséklet 18 ° C -24 ° C, a leolvasztás 120 perc páratlanítás után 5 percre bekapcsol.
 - c) Ha a helyiség hőmérséklete 12–18 ° C, akkor a leolvasztás 25 perc páramentesítés után 5 percre bekapcsol.
 - d) Ha a helyiség hőmérséklete 5 ° C -12 ° C, akkor a leolvasztás 20 perc páramentesítés után 5 percre bekapcsol.
2. A leolvasztási művelet során a páratlanító funkció engedélyezhető.
3. A leolvasztás során ne kapcsolja ki a kapcsolót, és ne húzza ki a páratlanító hálózati csatlakozóját.
4. Ez a páratlanító nem alkalmazható extrém alacsony hőmérséklet tartására. Ennek a páratlanítónak a feladata a kellemetlen, magas páratartalom kiszivattyúzása.

Páratlanító képesség

1. Ez a páratlanító nem rendelkezik hűtési funkcióval. Működés közben hőt termel és 1-4 ° C-kal megemeli a helyiség hőmérsékletét.
2. A páratlanító napi páratlanító képessége a szoba hőmérsékletétől és a relatív páratartalomtól függ. Különböző hőmérsékleteken és relatív páratartalom esetén eltérő a páratlanító képessége.
3. Ugyanabban a szobahőmérsékletben a magasabb páratartalom mellett nagyobb a páratlanító képesség, alacsonyabb relatív páratartalom esetén pedig a páratlanító képesség kisebb. Ugyanezen relatív páratartalom mellett a páratlanító képesség magasabb hőmérsékleten magasabb, a szárító képesség alacsonyabb hőmérsékleten alacsonyabb.
4. Ha a páramentesítőt a szekrénybe helyezi, annak páratlanító képessége rövid időn belül erősen csökkenhet a működés után, mivel a szekrény nedvességtartalma erősen csökken.
5. 5 ° C / 10 ° C / 15 ° C / 20 ° C / 25 ° C / 30 ° C szobahőmérséklet és 80% relatív páratartalom esetén a páratlanító képesség 2/4/6/8/10 liter vizet, ha a levegő kimenete teljesen nyitva van.

Páratartalom jelzőfény (10)

Működés közben a páratartalom jelzőfény a szoba aktuális páratartalmát mutatja:

- A kék szín alacsony nedvességtartalmat jelent 50% relatív páratartalom alatt
 - A zöld szín közepes páratartalmat jelent, 51–69% relatív páratartalom között
 - A piros szín 70% relatív páratartalom felett magas páratartalmat jelent
- Felhívjuk figyelmét, hogy a relatív páratartalom értéke 3% -os túréssal rendelkezik, amikor a megfelelő jelzőfény világít.

Művelet

1. A helytelen működés és a szokatlan hang elkerülése érdekében helyezze függőlegesen a gépegységet. Tartson távolságot más tárgyak között, mint az 1. képen látható. Csatlakoztassa a készüléket.
2. A készülék bekapcsolásához nyomja meg a kezelőpanel (1) főkapcsolóját (A). A digitális kijelző (L) megmutatja a szoba jelenlegi páratartalmát.
3. A módgombot (B) újra meg kell nyomni a kívánt üzemmód kiválasztásához:

B1. Rendes páratlanítási mód

Ha ezt az üzemmódot választja, akkor a B1 jelző világítani kezd.

B2. Folyamatos páratlanítási mód

Ha ezt az üzemmódot választja, akkor a B2 jelző világítani kezd.

B3. Erős páratlanítási mód

Ha ezt az üzemmódot választja, akkor a B3 jelzőfény világítani kezd.

B4. Ruhaszárítási mód

Ha ezt a módot választja, akkor a B4 jelzőfény világítani kezd.

4. A páratartalom beállító gombját (H) ismétellen lenyomva állítsa be a kívánt helyiség páratartalmát 30-80% és 5% közötti beállítás tényező között. A páratartalom beállítása csak normál páratlanítási üzemmódban (B1) érvényes. A szükséges helyiség páratartalom beállítása után a digitális kijelző (L) villog, hogy emlékezzen rá, és a készülék elkezd működni. A digitális kijelzőn (L) a következő a szoba páratartalma. Be kell állítani a szükséges helyiség páratartalmát alacsonyabb szinten, mint a szoba jelenlegi páratartalma, különben a készülék nem kezdi meg a páratlanítást. Amikor a helyiség relatív páratartalma megegyezik a kijelzőn korábban beállított relatív páratartalom szintjével, a készülék automatikusan kikapcsolja a kompresszort, a páramentesítő leáll, csak a ventilátor működik.

5. Az időzítő gomb (C) két funkcióval rendelkezik:

KÉSLELTETETT INDÍTÁS funkció

Az időzítő beállítható, ha a készülék kikapcsolt állapotban van. Nyomja meg az időzítő gombot (C): a LED-kijelzőn a „Hr” jelző (C1) kigyullad és a „00” jelenik meg a digitális kijelzőn (L); 5 másodpercen belül nyomja meg az időzítő gombot (C), hogy kiválassza a kívánt időt, amikor a készüléknek be kell kapcsolnia. Az időzítő beállítása után az idő 5 másodpercig megjelenik, a „Hr” jelző (C1) világítani kezd. A készülék a beállítási idő letele után automatikusan bekapcsol.

Az időzítő KI funkció beállítása - KÉSLELTETETT STOP

Az időzítő kikapcsolási funkciója akkor állítható be, amikor a készülék bekapcsolt állapotban van. Nyomja meg az Időzítő gombot (C): a LED-kijelzőn a „Hr” jelzés (C1) kigyullad és a „00” jelenik meg a digitális kijelzőn (L); 5 másodpercen belül nyomja meg az időzítő gombot (C), hogy kiválassza a kívánt kikapcsolási időt. Az időzítő beállítása után az idő 5 másodpercig megjelenik, és a „Hr” jelző (C1) kigyullad. A készülék a beállítási idő letele után automatikusan kikapcsol.

Az időzítő tartomány 1 és 24 óra között van, 1 órás intervallummal.

6. A ventilátor üzemmód mellett az aktív vagy reaktív levegő cirkulációjához nyomja meg a kiegészítő ventilátor üzemmód gombot (D). Ha ez a ventilátor üzemmód be van kapcsolva az extra légáramlás érdekében, a páratlanítás mód kikapcsol.

7. A gyermekzár (E) gombját 3 másodpercig lenyomva kell tartani, hogy hallja a hangot, amely megerősíti, hogy belép a gombokba a zároláshoz. Ekkor bármelyik gomb megnyomása érvénytelen. A gyermekzár gomb ekkor is világít. A gombok reteszelésének kikapcsolásához nyomja meg ismét a gyermekzár gombot (E), és tartsa lenyomva 3 másodpercig, hogy meghallja a hangot, amely megerősíti a gombok zár állapotának törlését.

8. A ventilátorsebesség gomb (F) akkor működíthető, ha a készülék ventilátor üzemmódra (D) vagy normál páratlanítási módra (B1) van kapcsolva. Nyomja meg a ventilátor sebesség gombját (F) az alacsony vagy a nagy sebesség közötti választáshoz. A megfelelő jelzőfény kigyullad (F1 vagy F2).

9. Az alvó üzemmód gombot (G) meg kell nyomni az alvás üzemmód kivételével az összes többi jelzőfény kikapcsolásához. Bármelyik gombot megnyomva megtekintheti a kezelőpanel korábbi beállításait. 5 másodperc elteltével az alvó üzemmód folytatódik. Az alvó üzemmód törléséhez nyomja meg ismét az alvó üzemmód gombot (G).

10. A készülék kikapcsolásához nyomja meg ismét a főkapcsolót (A), az egység gépe leáll.

Vízartály-szolgáltatás

1. Ha a vízartály (3) megtelt vagy a vízartály (3) nincs megfelelő helyzetben, akkor a teljes vízartály kijelzése (K) kigyullad a kezelőpanelen (1). A készülék ismétlődő riasztási hangokat ad, a páratartalom jelzőfény (10) pirosan villogni kezd.

2. Amikor a teli vízartály jelzőfénye (K) villog, a gépbe beépített kompresszor leáll, hogy ne kondenzáljon vizet, amíg a vízartály ki nem ürül vagy a megfelelő helyzetbe nem áll, de a ventilátor tovább működik.

3. A vízartály (3) eltávolításához tartsa a vízartály oldalait és húzza ki. Ne szerelje szét az úszót (6) a vízartályból (3). Nézd meg a 3. képet.

4. A vízartály (3) kiürítéséhez döntse meg az 5. képen látható módon, és lassan engedje le a vizet. Ezután helyezze vissza a vízartályt (3) a páramentesítőbe.

Folyamatos vízelvezetési funkció

1. Ha hosszú ideig páramentesítenie kell a levegőt, használhatja a folyamatos vízelvezetési funkciót.

2. Húzza meg a gumidugót (11), majd helyezze be a mellékelt folyamatos leeresztő tömlőt (7) a 2. képen látható módon.

3. A folyamatos ürítés befejezése után helyezze vissza a gumidugót (11) és kapcsolja ki a készüléket.

Folyamatos leeresztő tömlő: hossz: 30 cm, belső átmérő: 17 mm, külső átmérő: 19 mm.

Tisztítás és karbantartás

1. A tisztítás vagy egyéb szokásos karbantartás megkezdése előtt kapcsolja ki az egységet, és húzza ki a hálózati csatlakozót.

2. Az áramütés veszélyének elkerülése érdekében tisztítás közben soha ne szórjon vagy öntsön vizet a páramentesítőre.

3. A készülék mozgatása előtt kapcsolja ki a készüléket, és ürítse ki a vizet a vízartályból. Ügyeljen arra, hogy mozgás közben fogja meg a fogantyút.

4. Törölje le a készülék házát nedves ruhával.

5. Ne szerelje szét az úszót (6) a víztartályból (3).
6. A hosszú távú tervezett folyamatos működés előtt rendszeresen ellenőrizni kell, különösen a nettó levegőszűrőt (8), az aktív szénoszűrőt (12) és a leeresztő tömlőt (7) vagy hasonlót.
7. A szűrők tisztítása vagy cseréje:
 - húzza ki a dugót és vegye ki a víztartályt (3),
 - távolítsa el a szűrőházat (9) a 4. ábra szerint,
 - távolítsa el a hálósűrőt (8) a házból, és óvatosan távolítsa el az aktív szénoszűrőt (12)
 - kéthetente tisztítsa meg mindkét szűrőt porszívóval. A páratlanítási teljesítmény csökkenhet, ha a szűrőket eltömítik a törmelék.
 - helyezze a szűrőket a szűrőházba (9) és helyezze be a készülékékházba.
8. Ne tisztítsa a készüléket benzinnel, higítóval vagy folyékony mosószerrel.

MŰSZAKI ADATOK:

Páratlanító kapacitás 30 ° C / 80% relatív páratartalom mellett: 10 liter / 24 óra

Páratlanító kapacitás 27 ° C / 60% relatív páratartalom mellett: 5 liter / 24 óra

Zajsint: <= 45dB

Víztartály űrtartalma: 2,2 liter

Levegőáram: 120 m³ / óra

R290 hűtőfolyadék súlya: max. 35 gramm

Ratted bemeneti teljesítmény: 200W

Max. Ratted bemeneti teljesítmény: 245W

Tápellátás: 220-240V ~ 50Hz




Vigyázat, tűzveszély.

NE átszúrja vagy égesse.

Vegye figyelembe, hogy a hűtőközeg nem tartalmazhat szagokat.

A hűtőközeg maximális töltöttsége: 35 g.

 A környezet védelme érdekében kérjük külön karton dobozok és műanyag zsákokat és dobja őket a megfelelő hulladék közé. Használt készüléket kell eljuttatni a kijelölt gyűjtőhelyekre miatt veszélyes elemek alkatrészeket, amelyek hatással lehetnek a környezetre. Ne dobja a készüléket a közös szemétkosárba.

SUOMI

YLEISET TURVALLISUUSOLOSUHTEET

TÄRKEITÄ TURVAOHJEITA LUE HUOLELLISESTI JA SÄILYTTÄ TULEVAISUUTTA

1. Lue käyttöohjeet ja noudata niiden ohjeita ennen laitteen käyttöä. Valmistaja ei ole vastuussa vahingoista, jotka aiheutuvat laitteen käyttötarkoituksen vastaisesta käytöstä tai virheellisestä käytöstä.
2. Laite on tarkoitettu vain kotikäyttöön. Älä käytä muihin tarkoituksiin, jotka eivät ole sen käyttötarkoitukseen.
3. Laite saa kytkeä vain pistorasiaan, jonka maadoitus on 220 240 V ~ 50 Hz. Käyttöturvallisuuden lisäämiseksi useita sähkölaitteita ei tule kytkeä samaan virtapiiriin.
4. Ole erityisen varovainen käyttäessäsi laitetta, kun lapset ovat lähellä. Älä anna lasten leikkiä laitteen kanssa, älä anna lasten tai muiden tuntemattomien käyttää sitä.
5. VAROITUS: Tätä laitetta voivat käyttää yli 8-vuotiaat lapset ja henkilöt, joilla on rajoitetut fyysiset, aisti- tai henkiset kyvyt tai ihmiset, joilla ei ole kokemusta tai tietoa laitteista, jos tämä tehdään vastuussa olevan henkilön valvonnassa. heidän turvallisuutensa vuoksi tai heille on annettu tietoja laitteen turvallisesta käytöstä ja he ovat tietoisia laitteen käytön vaaroista. Lasten ei tulisi leikkiä laitteilla. Laitetta ei saa puhdistaa ja huoltaa, elleivät lapset ole yli 8-vuotiaita ja nämä toimet suoritetaan valvonnassa.
6. Irrota virtajohto aina pitämällä pistorasiaa kädellä käytön jälkeen. ÄLÄ vedä virtajohtoa.
7. Älä upota kaapelia, pistoketta ja koko laitetta veteen tai muuhun nesteeseen. Älä altista laitetta ilmasto-olosuhteille (sade, aurinko jne.) Tai käytä korkean kosteuden olosuhteissa (kylpyhuoneet, kosteat asunтоваunut).
8. Tarkista säännöllisesti virtajohdon kunto. Jos virtajohto on vaurioitunut, se on vaihdettava erikoistuneeseen korjaamoon vaaran välttämiseksi.
9. Älä käytä laitetta vaurioituneen virtajohdon kanssa tai jos se on pudonnut tai

- vaurioitunut jollakin muulla tavalla tai jos se ei toimi oikein. Älä korjaa laitetta itse, koska siinä on sähköiskun vaara. Vie vaurioitunut laite asianmukaiseen huoltokeskukseen tarkistamista tai korjaamista varten. Kaikki korjaukset saa suorittaa vain valtuutetut huoltoliikkeet. Väärin suoritettavat korjaukset voivat aiheuttaa vakavan vaaran käyttäjälle.
10. Sijoita laite viileälle, vakaalle alustalle, pois kuumista keittiövälineistä, kuten sähköliesi, kaasupoltin jne.
 11. Varmista, että mikään ei estä laitteen ilmanottoa ja poistoa
 12. Käytä laitetta vain tasaisella pinnalla estämään kondenssiveden valuminen
 13. Lisäsuojauksen tarjoamiseksi on suositeltavaa asentaa sähkövirtapiiriin jäännösvirtalaite (RCD), jonka nimellisvirtavirta ei ylitä 30mA. Pyydä sitä sähköasentajalta.
 14. Puhdista ilmansuodatin säännöllisesti. Puhdistuksen tiheys riippuu ilman puhtaudesta.
 15. Kun olet sammuttanut koneen, odota vähintään 5 minuuttia ennen kuin kytket sen takaisin päälle.
 16. Tehokasta ilmankuivausta varten laitteiden sivuseinien ja puristettujen huonekalujen tai verhojen väliin tulee käyttää vähintään 20 cm: n rako.
 17. Älä suihkuta kuivainta tulipalo- tai räjähdysvaaran välttämiseksi
 18. Jos haluat käyttää kotelon osia, älä sijoita ilmankuivainta lämmityslaitteiden läheisyyteen.
 19. Poista säiliöön kerätty vesi. Vesi vahingossa juominen tai sen käyttäminen muiden kanssa voi aiheuttaa sairauden.
 20. Ei tue laitteita, joissa takakuori on poistettu liikkuvien ja kuumien osien takia.
 21. Älä käytä muita kuin valmistajan suosittelemia sulatus- tai käyttöprosesseja.
 22. Laitteen tulisi olla saatavana osana pysyvää sytytyslähteiden luetteloa, ts. Ilman avointa liekkiä, ilman toimivaa kaasulaitetta tai ilman toimivan laitteen lämmitintä.
 23. Älä lävistä tai tupakoi.
 24. Huomaa, että jäähdytysvalmistajat eivät saa sisältää hajusteita.

Ennen ensimmäistä käyttöä:

1. Ilmankuivainta on käytettävä tasaisella ja vakaalla pinnalla. Pidä etäisyydet yksikön ja muiden esineiden välillä kuvan 1 mukaisesti sopivan tehokkuuden varmistamiseksi. Sulje kaikki huoneet, joissa haluat kuivata ilman, kaikki ikkunat ja ovet.
2. Älä käytä ilmankuivainta ja tyhjennysletkua ympäristön lämpötilassa alle 0 ° C veden jäätyksen estämiseksi.
3. Älä käytä ilmankuivainta ulkopuolella. Altistuminen suoralle auringonvalolle tai sateelle voi aiheuttaa ylikuumentumisen, sähköiskun ja tulipalon.
4. Älä laita vesisäiliötä ilmankuivaimeen, jotta vältetään veden vuotaminen laitteen sisälle ja se vaurioittaa eristystä.
5. Älä koskaan yritä käyttää ilmankuivainta erityiskäyttöön, kuten elintarvikkeiden kosteudenpoistoon tai taideesineiden säilömiseen tai vastaavaan.
6. Älä käytä ilmankuivainta, jos öljyä tai palavaa kaasua voi vuotaa. Älä käytä laitetta paikoissa, joihin altistuu kemikaaleja.
7. Jatkuvaa tyhjennystä varten varmista, että tyhjennysletku on asetettu oikein kaltevuudella.
8. Ole varovainen, etteivät lämmityslaitteet ole alttiina kosteudenpoistimen aiheuttamalle tuulelle.
9. Älä käytä ilmankuivainta tuolina tai jalkatyökaluina.
10. Älä poista kellukevipua vesisäiliöstä.
11. Älä tukki ilmanottoaukkoja ja ilmanottoaukkoja.
12. Älä peitä yksikköä pestyllä vaatteilla.

Ennen jatkuvaa käyttöä pitkään, säännöllinen tarkastus vaaditaan erityisesti ilmanpuhdistussuodattimelle, tyhjennysletkulle tai vastaavalle.

Tuotekuvaus: CR7851 Ilmankuivain

- | | |
|---------------------|-------------------|
| 1. Ohjauspaneeli | 2. Ilmanottoaukko |
| 3. Vesisäiliö 2,2 L | 4. Ilman ulostulo |
| 5. Kahva | 6. Floater |

7. Tyhjennysletku
9. Suodattimen kotelo
11. Kumitulppa tyhjennystoimintoa varten

8. Verkkoilmansuodatin
10. Kosteuden merkkivalo
12. Aktiivihiihsuodatin

Ohjauspaneeli

- Virtapainike
 - B1. Tavallinen ilmankuivaustilan osoitin
 - B3. Vahva ilmankuivaustilan ilmaisin
 - Ajastimen 0–24 tunnin painike
 - D. Puhaltimen lisäpainike / ilmaisin
 - Puhaltimen nopeuspainike
 - F2. Suuren tuulettimen nopeuden ilmaisin
 - H. Kosteuden säätöpainike 30-80% suhteellinen kosteus
 - J. Sulatustilan ilmaisin
 - L. Kosteuden ja ajastimen digitaalinen näyttö
- Tehokkuus

- B.Tila-painike
- B2. Jatkuvan kosteudenpoiston tilan ilmaisin
- B4. Vaatteiden kuivaustilan ilmaisin
- C1. Aikayksikön ilmaisin
- E.Lasten lukituspainike / ilmaisin
- F1. Matala tuulettimen nopeuden ilmaisin
- G.Nukkumistilan painike / ilmaisin
- H1. Kosteusyksikön ilmaisin
- K. Täyden vesisäiliön osoitin

1. Laite suorittaa sulatuksen automaattisesti säännöllisin väliajoin huoneen lämpötilan mukaan.
- a) Jos huoneen lämpötila on vähintään 24 ° C, sulatus lopetetaan.
- b) Jos huonelämpötila on 18–24 ° C, sulatus kytketään päälle 5 minuutiksi 120 minuutin kosteudenpoiston jälkeen.
- c) Jos huonelämpötila on 12–18 ° C, sulatus kytketään päälle 5 minuutiksi 25 minuutin kosteudenpoiston jälkeen.
- d) Jos huonelämpötila on 5 ° C - 12 ° C, sulatus kytketään päälle 5 minuutiksi 20 minuutin kosteudenpoiston jälkeen.
2. Sulatuksen aikana kosteudenpoistotoiminto voidaan keskeyttää.
3. Älä sammuta kytkintä tai vedä ilmankuivaajan virtapistoketta sulatuksen aikana.
4. Tätä ilmankuivausta ei voida käyttää pitämään äärimmäisen alhaisessa lämpötilassa. Tämän ilmankuivaajan tehtävänä on pumpata pois epämiellyttävä, korkea kosteus.

Ilmankuivauskapasiteetti

1. Tässä ilmankuivaaimessa ei ole jäähdystoimintoa. Se tuottaa lämpöä käytön aikana ja nostaa huonelämpötilaa 1–4 ° C.
2. Ilmankuivaajan päivittäinen ilmankuivauskapasiteetti riippuu huoneen lämpötilasta ja suhteellisesta kosteudesta. Eri lämpötiloissa ja suhteellisissa kosteudessa sillä voi olla erilainen kosteudenpoistokyky.
3. Samassa huonelämpötilassa kosteudenpoistokapasiteetti on korkeampi korkeammassa suhteellisessa kosteudessa ja kosteudenpoistokyky on pienempi alhaisemmassa suhteellisessa kosteudessa. Samassa suhteellisessa kosteudessa kosteudenpoistokapasiteetti on korkeampi korkeammassa lämpötilassa ja kosteudenpoistokapasiteetti on pienempi alemmassa lämpötilassa.
4. Jos ilmankuivaajan sijoitetaan kaappiin, sen ilmankuivauskapasiteetti saattaa heikentyä voimakkaasti lyhyessä ajassa käytön jälkeen, koska kaapin kosteus on vähentynyt voimakkaasti.
5. Jos huoneen lämpötila on 5 ° C / 10 ° C / 15 ° C / 20 ° C / 25 ° C / 30 ° C, kosteudenpoistokapasiteetti on noin 2/4/6/8/10 litraa vettä, kun ilmanpoistoaukko on täysin auki.

Kosteuden merkkivalo (10)

Käytön aikana kosteuden merkkivalo näyttää huoneen nykyisen kosteustason:

- Sininen väri tarkoittaa matalaa kosteutta alle 50%: n suhteellisessa kosteudessa
- Vihreä väri tarkoittaa keskimääräistä kosteutta välillä 51% - 69% suhteellinen kosteus
- Punainen väri tarkoittaa korkeaa kosteutta yli 70% suhteellisessa kosteudessa

Huomaa, että suhteellisen kosteuden arvo on saanut 3%: n toleranssin, kun vastaava merkkivalo syttyy.

Operaatio

1. Sijoita koneyksikkö pystyyn väärän toiminnan ja epätavallisen äänen välttämiseksi. Pidä etäisyydet muiden esineiden välillä, kuten kuvassa 1 on esitetty. Kytke laite.
 2. Käynnistä laite painamalla ohjauspaneelin (1) virtakytkintä (A). Digitaalinen näyttö (L) näyttää huoneen kosteustason.
 3. Mode-painiketta (B) on painettava uudelleen valitaksesi haluamasi käyttötavan:
- B1. Tavallinen kosteudenpoistotila
Kun valitset tämän tilan, ilmaisin B1 syttyy.
 - B2. Jatkuva kosteudenpoistotila
Kun valitset tämän tilan, ilmaisin B2 syttyy.
 - B3. Vahva kosteudenpoistotila
Kun valitset tämän tilan, ilmaisin B3 syttyy.
 - B4. Vaatteiden kuivaus
Kun valitset tämän tilan, ilmaisin B4 syttyy.
4. Kosteuden säätöpainiketta (H) on painettava uudelleen, jotta haluttu huonekosteus asetetaan välille 30-80% ja säätökerroin 5%. Kosteusasetus on voimassa vain tavallisessa kosteudenpoistotilassa (B1). Kun vaadittu huonekosteus on asetettu, digitaalinen näyttö (L) vilkkuu muistamaan sen ja laite alkaa toimia. Seuraavaksi digitaalinen näyttö (L) näkyy huoneen kosteus. Tarvittava huonekosteus on asetettava nykyistä huonekosteutta alemmalle tasolle, muuten laite ei aloita kosteudenpoistoa. Kun huoneen suhteellinen kosteus on sama

kun näytössä aiemmin asetettu suhteellinen kosteus, laite sammuttaa kompressorin automaattisesti, ilmankuivain pysähtyy, vain tuuletin toimii.

5. Ajastinpainikkeella (C) on kaksi toimintoa:

DELAY START -toiminto

Ajastin voidaan asettaa, kun laite on pois päältä -tilassa. Paina ajastinpainiketta (C): LED-näytön "Hr" -ilmais (C1) syttyy ja "00" ilmestyy digitaalinäyttöön (L); 5 sekunnin kuluessa, paina ajastinpainiketta (C) valitaksesi haluamasi ajan, jolloin laitteen on käynnistytävä. Kun ajastin on asetettu, aika näkyy viiden sekunnin ajan, "Hr" -ilmais (C1) palaa. Laite käynnistyy automaattisesti asetetun ajan kuluttua.

Ajastimen POIS-toiminnon asettaminen - DELAY STOP

Ajastimen virrankatkaisu toiminto voidaan asettaa, kun laite on käynnistystilassa. Paina ajastinpainiketta (C): LED-näytön "Hr" -ilmais (C1) syttyy ja "00" ilmestyy digitaalinäyttöön (L); 5 sekunnin kuluessa, paina ajastinpainiketta (C) valitaksesi haluamasi ajan laitteen sammuttamiseksi. Kun ajastin on asetettu, aika näkyy 5 sekunnin ajan ja "Hr" -ilmais (C1) syttyy. Laite sammuu automaattisesti asetetun ajan kuluttua.

Ajastin on 1 - 24 tuntia 1 tunnin välein.

6. Puhaltimen käytön lisäksi aktiivinen tai reaktiivinen ilmankierto on painettava lisäpuhaltimen toimintapainiketta (D). Kun tämä puhallintila kytketään päälle ilmankierron lisäämiseksi, ilmankuivaustila kytketään pois päältä.

7. Lapsilukkopainiketta (E) on painettava ja pidettävä painettuna 3 sekunnin ajan, jotta kuulet äänen vahvistavan, että näppäimet lukitaan tilassa. Tällä hetkellä minkä tahansa painikkeen painaminen on virheellinen. Lapsilukon painike palaa myös tällä hetkellä. Kytke painikkeiden lukitus pois päältä painamalla lapsilukkopainiketta (E) uudelleen ja pitämällä sitä painettuna 3 sekunnin ajan, jotta kuulet äänen, joka vahvistaa painikkeiden lukitustilan.

8. Puhaltimen nopeuspainiketta (F) voidaan käyttää, kun laite kytketään puhallintilaan (D) tai tavalliseen ilmankuivaustilaan (B1). Paina puhaltimen nopeuspainiketta (F) valitaksesi matalan tai suuren nopeuden. Sopiva merkkivalo syttyy (F1 tai F2).

9. Lepotilapainiketta (G) on painettava kaikkien muiden merkkivalojen sammuttamiseksi lepotilaa lukuun ottamatta. Paina mitä tahansa painiketta nähdäkseen aiemmin määritetyt toiminnot ohjauspaneelissa. 5 sekunnin kuluttua lepotilaa jatketaan. Peruuta lepotila painamalla lepotilapainiketta (G) uudelleen.

10. Katkaise laitteesta virta painamalla virtakytkintä (A) uudelleen. Laitteen kone pysähtyy.

Vesisäiliöpalvelu

1. Jos vesisäiliö (3) on täynnä tai vesisäiliötä (3) ei ole asennettu oikeaan asentoon, täyden vesisäiliön ilmaisin (K) syttyy ohjauspaneelista (1). Laite antaa toistuvia hälytysääniä, kosteuden merkkivalo (10) alkaa vilkkua punaisena.

2. Kun täyden vesisäiliön merkkivalo (K) vilkkuu, koneen sisään asennettu kompressoripysähtyy niin, että se ei kondensoi vettä ennen kuin vesisäiliö on tyhjä tai asetettu oikeaan asentoon, mutta puhallin käy edelleen.

3. Irrota vesisäiliö (3) pitämällä kiinni vesisäiliön sivuista ja vedä se ulos. Älä pura kelluketta (6) vesisäiliöstä (3). Katso kuvaa 3.

4. Tyhjennä vesisäiliö (3), kallista sitä kuvan 5 osoittamalla tavalla ja tyhjennä vesi hitaasti. Asenna sitten vesisäiliö (3) takaisin ilmankuivaimeen.

Jatkuva tyhjennystoiminto

1. Jos haluat kuivata ilman pitkään aikaan, voit käyttää jatkuvaa tyhjennystoimintoa.

2. Vedä kumitulpasta (11) ja aseta sitten kiinnitetty jatkuva tyhjennysletku (7) kuvan 2 mukaisesti.

3. Kun olet lopettanut jatkuvan tyhjennyksen, vaihda kumitulppa (11) ja sammuta laite.

Jatkuva tyhjennysletku: pituus: 30 cm, sisähalkaisija: 17 mm, ulkohalkaisija: 19 mm.

Puhdistus ja huolto

1. Katkaise laitteesta virta ja irrota virtajohto ennen puhdistuksen tai muun rutiinihuollon aloittamista.

2. Sähköiskun välttämiseksi älä koskaan ripotele tai roiskuta vettä ilmankuivaimeen puhdistuksen aikana.

3. Sammuta laite ja tyhjennä vesi vesisäiliöstä ennen laitteen siirtämistä. Pidä kahvasta kiinni liikkuessasi.

4. Pyyhi laitteen kotelo märällä liinalla.

5. Älä pura kelluketta (6) vesisäiliöstä (3).

6. Ennen suunniteltua pitkäkestoisia jatkuvaa käyttöä vaaditaan säännöllinen tarkastus erityisesti verkon ilmansuodattimen (8), aktiivihiihisuodattimen (12) ja tyhjennysletkun (7) tai vastaavien osalta.

7. Suodattimien puhdistaminen tai vaihtaminen:

- irrota pistoke ja vedä vesisäiliö (3),

- poista suodatinkotelo (9) kuvan 4 mukaisesti,

- poista verkkosuodatin (8) kotelosta ja poista aktiivihiihisuodatin (12) varovasti

- puhdista molemmat suodattimet kahden viikon välein pölynimurilla. Ilmankuivaus voi heikentyä, kun suodattimet ovat tukossa roskista.

- laita suodattimet suodatinkotelon (9) sisään ja laita ne laitteen koteloon.

8. Älä puhdista laitetta bensiinillä, ohenteella tai nestemäisellä pesuaineella.

TEKNISET TIEDOT:

Ilmankuivauskapasiteetti 30 ° C / 80% RH): 10 litraa / 24 tuntia

Ilmankuivauskapasiteetti 27 ° C / 60% RH): 5 litraa / 24 tuntia

Melutaso: <= 45dB

Vesisäiliön tilavuus: 2,2 litraa

Ilmavirta: 120 m3 / tunti



Varo, tulipalon vaara.
ÄLÄ lävistä tai polta.
Huomaa, että kylmäaine ei saa sisältää hajua.
Kylmäaineen enimmäismäärä: 35 g.



Suojellaksesi ympäristöäsi: hävitä pahvilaatikat ja muovipussit ja kierrätä ne niille tarkoitetuissa jäteasioissa. Käytetyt koneet tulee toimittaa niihin erioistuneisiin keräyspisteisiin ympäristölle vaarallisten aineiden takia. Älä hävitä laitteita sekajätteessä.

РУССКИЙ

ОБЩИЕ УСЛОВИЯ БЕЗОПАСНОСТИ ВАЖНЫЕ ИНСТРУКЦИИ ПО БЕЗОПАСНОСТИ ВНИМАТЕЛЬНО ПРОЧТИТЕ И СОХРАНИТЕ НА БУДУЩЕЕ

1. Перед использованием устройства прочитайте инструкцию по эксплуатации и следуйте инструкциям, содержащимся в нем. Производитель не несет ответственности за ущерб, вызванный использованием устройства вопреки его назначению или неправильной эксплуатации.
2. Устройство предназначено только для домашнего использования. Не используйте для других целей, которые не по назначению.
3. Устройство должно быть подключено только к розетке переменного тока с заземлением 220 240 В ~ 50 Гц. Для повышения эксплуатационной безопасности, несколько электрических устройств не должны быть подключены к одной цепи тока одновременно.
4. Будьте предельно осторожны при использовании устройства, когда рядом находятся дети. Не позволяйте детям играть с устройством, не позволяйте детям или людям, незнакомым с устройством, использовать его.
5. ПРЕДУПРЕЖДЕНИЕ. Данное оборудование могут использовать дети старше 8 лет и люди с ограниченными физическими, сенсорными или умственными способностями или люди, которые не имеют опыта или знаний об оборудовании, если это делается под наблюдением ответственного лица. Для их безопасности или были предоставлены им информацию о безопасном использовании устройства и знают об опасностях его использования. Дети не должны играть с оборудованием. Чистка и техническое обслуживание устройства не должны выполняться детьми, за исключением случаев, когда им исполнилось 8 лет, и эти действия выполняются под наблюдением.
6. Всегда отсоединяйте штепсельную вилку, придерживая розетку рукой после использования. НЕ тяните за шнур питания.
7. Не погружайте кабель, вилку и все устройство в воду или любую другую жидкость.

Не подвергайте устройство воздействию атмосферных условий (дождь, солнце и т. Д.) И не используйте его в условиях повышенной влажности (ванные комнаты, влажные дома на колесах).

8. Периодически проверяйте состояние шнура питания. Если шнур питания поврежден, его следует заменить в специализированной ремонтной мастерской, чтобы избежать опасности.

9. Не используйте прибор с поврежденным шнуром питания, если он упал или поврежден каким-либо иным образом или он не работает должным образом. Не ремонтируйте устройство самостоятельно, так как существует риск поражения электрическим током. Доставьте поврежденное устройство в соответствующий сервисный центр для проверки или ремонта. Все ремонтные работы могут выполняться только авторизованными сервисными центрами. Неправильно выполненный ремонт может представлять серьезную опасность для пользователя.

10. Поместите устройство на прохладную, устойчивую поверхность, вдали от горячих кухонных приборов, таких как: электрическая плита, газовая горелка и т. Д.

11. Убедитесь, что ничто не блокирует вход и выход воздуха устройства

12. Используйте устройство только на ровной поверхности, чтобы предотвратить выпадение конденсата.

13. Для обеспечения дополнительной защиты рекомендуется установить устройство защитного отключения (УЗО) в электрической цепи с номинальным током не более 30 мА. Спросите электрика для этого.

14. Регулярно очищайте воздушный фильтр. Частота очистки зависит от чистоты воздуха.

15. После выключения машины подождите не менее 5 минут, прежде чем снова включить его.

16. Для эффективного осушения следует использовать зазор не менее 20 см между боковыми стенками приборов и сжатой мебелью или шторами.

17. Во избежание возгорания или взрыва не распыляйте сушилку.

18. Для использования частей корпуса не устанавливайте осушитель рядом с нагревательными приборами.

19. Удалите воду, собранную в баке. Случайно питьевая вода или использование ее с другими людьми может вызвать болезнь.

20. Не поддерживайте устройства со снятой задней крышкой из-за движущихся и горячих частей.

21. Не используйте никакие средства для оттаивания или работы, кроме тех, которые рекомендованы производителем.

22. Устройство должно быть доступно как часть постоянного списка источников возгорания, то есть без открытого пламени, без устройства с рабочим газом или без нагревателя с рабочим устройством.

23. Не прокалывать и не курить.

24. Обратите внимание, что производители холодильного оборудования не могут

содержать ароматизаторы.

Перед первым использованием:

1. Осушитель следует использовать на ровной и устойчивой поверхности, соблюдайте расстояния между устройством и другими объектами в соответствии с рисунком 1, чтобы обеспечить соответствующую эффективность. Закройте все окна и двери комнаты, в которой вы хотите осушить воздух.
2. Во избежание замерзания воды не используйте осушитель и сливной шланг при температуре окружающей среды ниже 0°C .
3. Не используйте осушитель снаружи. Воздействие прямых солнечных лучей или дождя может привести к перегреву, поражению электрическим током и пожару.
4. Не ставьте резервуар для воды на осушитель, чтобы избежать пролива воды внутрь устройства и ухудшения изоляции.
5. Никогда не пытайтесь использовать осушитель для специальных целей, таких как осушение пищевых продуктов или сохранение предметов искусства или тому подобное.
6. Не используйте осушитель, если возможна утечка масла или горючего газа. Не используйте устройство в местах, подверженных воздействию химикатов.
7. Для непрерывного слива убедитесь, что сливной шланг правильно установлен с уклоном.
8. Будьте осторожны, чтобы отопительный прибор не подвергался воздействию ветра от осушителя.
9. Не используйте осушитель как стул или подставку для ног.
10. Не снимайте поплавковый рычаг с водяного бака.
11. Не блокируйте воздухозаборники и воздуховыпускные отверстия.
12. Не накрывайте прибор стиральной одеждой.

Перед длительной непрерывной работой требуется периодическая проверка, особенно для фильтра очистки воздуха, сливного шланга или тому подобного.

Описание продукта: CR7851 Осушитель воздуха

- | | |
|---------------------------------|------------------------------------|
| 1. Панель управления | 2. Впуск воздуха. |
| 3. Резервуар для воды 2,2 л. | 4. Выход воздуха. |
| 5. Ручка | 6. Поплавок |
| 7. Сливной шланг | 8. Сетчатый воздушный фильтр. |
| 9. Корпус фильтра | 10. Световой индикатор влажности. |
| 11. Резиновая пробка для слива. | 12. Фильтр с активированным углем. |

Панель управления

- | | |
|--|---|
| A. Кнопка питания | B. Кнопка режима |
| V1. Индикатор обычного режима осушения | V2. Индикатор режима постоянного осушения |
| V3. Индикатор режима сильного осушения | V4. Индикатор режима сушки одежды |
| C. Таймер 0-24 часа, кнопка | S1. Индикатор единицы времени |
| D. Кнопка / индикатор режима дополнительного вентилятора | E. Кнопка / индикатор блокировки от детей |
| F. Кнопка скорости вентилятора | F1. Индикатор низкой скорости вентилятора |
| F2. Индикатор высокой скорости вентилятора | G. Кнопка / индикатор спящего режима |
| H. Кнопка установки влажности 30-80% относительной влажности | H1. Индикатор единицы влажности |
| J. Индикатор режима оттаивания | K. Индикатор полного бака для воды |
| L. Цифровой дисплей влажности и таймер | |

Эффективность

1. Прибор автоматически выполняет размораживание через равные промежутки времени в соответствии с комнатной температурой.
 - a) Если температура в помещении равна или превышает 24°C , размораживание прекращается.
 - b) Если температура в помещении составляет 18°C - 24°C , размораживание включается на 5 минут после каждых 120 минут осушения.
 - c) Если температура в помещении составляет 12°C - 18°C , размораживание включается на 5 минут после каждых 25 минут осушения.
 - г) Если температура в помещении составляет 5 – 12°C , размораживание включается на 5 минут после каждых 20 минут осушения.
2. Во время размораживания функция осушения может быть прервана.
3. Пожалуйста, не выключайте выключатель и не вынимайте вилку осушителя воздуха во время размораживания.
4. Этот осушитель не может использоваться для поддержания экстремально низких температур. Этот осушитель воздуха предназначен для удаления неприятной высокой влажности.

Осушающая способность

1. Этот осушитель не имеет функции охлаждения. Во время работы он будет выделять тепло и повышать температуру в помещении на 1 – 4°C .
2. Ежедневная производительность осушителя зависит от температуры и относительной влажности в помещении. При разной температуре и относительной влажности он может обладать разной осушающей способностью.
3. При той же комнатной температуре осушающая способность выше при более высокой относительной влажности, а осушающая

способность ниже при более низкой относительной влажности. При той же относительной влажности осушающая способность выше при более высокой температуре, а осушающая способность ниже при более низкой температуре.

4. Если осушитель помещен в шкаф, его осушающая способность может сильно снизиться в течение короткого периода после работы из-за того, что влажность в шкафу сильно снизилась.

5. При комнатной температуре $5^{\circ}\text{C} / 10^{\circ}\text{C} / 15^{\circ}\text{C} / 20^{\circ}\text{C} / 25^{\circ}\text{C} / 30^{\circ}\text{C}$ и относительной влажности 80% осушающая способность составляет соответственно около 2/4/6/8/10. литров воды при полностью открытом выпуске воздуха.

Индикатор влажности (10)

Во время работы световой индикатор влажности показывает текущий уровень влажности в помещении:

- Синий цвет означает низкую влажность ниже 50% относительной влажности.

- Зеленый цвет означает среднюю влажность в диапазоне от 51% до 69% относительной влажности.

- Красный цвет означает высокую влажность более 70% относительной влажности.

Обратите внимание, что значение относительной влажности имеет допуск 3% при включении соответствующей световой индикации.

Операция

1. Установите агрегат вертикально, чтобы избежать неправильной работы и необычного звука. Соблюдайте расстояния между другими объектами, как показано на рисунке 1. Подключите устройство.

2. Выключатель питания (A) на панели управления (1) должен быть нажат, чтобы включить устройство. Цифровой дисплей (L) покажет текущий уровень влажности в помещении.

3. Нажмите кнопку режима (B) еще раз, чтобы выбрать желаемый режим работы:

V1. Обычный режим осушения

При выборе этого режима загорается индикатор V1.

BI 2. Режим непрерывного осушения

При выборе этого режима загорается индикатор V2.

V3. Режим сильного осушения

При выборе этого режима загорается индикатор V3.

V4. Режим сушки одежды

При выборе этого режима загорается индикатор V4.

4. Нажмите кнопку настройки влажности (H) еще раз, чтобы установить желаемую влажность в помещении в пределах 30-80% с коэффициентом настройки 5%. Настройка влажности действительна только в обычном режиме осушения (V1). После установки требуемой влажности в помещении цифровой дисплей (L) будет мигать, чтобы запомнить это, и устройство начнет работать. Затем на цифровом дисплее (L) отображается текущая влажность в помещении. Необходимо установить требуемую влажность в помещении на более низком уровне, чем текущая влажность в помещении, иначе устройство не начнет осушение. Когда относительная влажность в помещении сравняется с уровнем относительной влажности, ранее установленным на дисплее, устройство автоматически выключит компрессор, осушитель остановится, будет работать только вентилятор.

5. Кнопка таймера (C) выполняет две функции:

Функция ОТЛОЖЕННЫЙ СТАРТ

Таймер можно установить, когда устройство находится в выключенном состоянии. Нажмите кнопку таймера (C): на светодиодном дисплее загорится индикатор «Hr» (C1), а на цифровом дисплее (L) появится «00»; в течение 5 секунд нажмите кнопку таймера (C), чтобы выбрать желаемое время, когда устройство должно включиться. После установки таймера время будет отображаться в течение 5 секунд, индикатор «Hr» (C1) будет гореть. Устройство автоматически включится по истечении времени настройки.

Настройка функции выключения таймера - ЗАДЕРЖКА ОСТАНОВКИ

Функция выключения таймера может быть установлена, когда устройство находится в состоянии включения. Нажмите кнопку таймера (C): на светодиодном дисплее загорится индикатор «Hr» (C1), а на цифровом дисплее (L) появится «00»; в течение 5 секунд нажмите кнопку таймера (C), чтобы выбрать желаемое время для выключения устройства. После установки таймера время будет отображаться в течение 5 секунд и загорится индикатор «Hr» (C1). Устройство автоматически выключится по истечении времени настройки.

Диапазон таймера составляет от 1 до 24 часов с интервалом в 1 час.

6. Кнопка дополнительного режима вентилятора (D) должна быть нажата для активной или реактивной циркуляции воздуха в дополнение к работе вентилятора. Когда этот режим вентилятора включен для дополнительной циркуляции воздуха, режим осушения отключается.

7. Кнопку блокировки от детей (E) следует нажать и удерживать в течение 3 секунд, чтобы услышать звук, подтверждающий ввод кнопки в состоянии блокировки, в это время нажатие любой кнопки недействительно. В это время также горит кнопка блокировки от детей. Чтобы выключить блокировку кнопок, снова нажмите кнопку блокировки от детей (E) и удерживайте ее в течение 3 секунд, чтобы услышать звук, подтверждающий отмену блокировки кнопок.

8. Кнопка скорости вентилятора (F) может работать, когда устройство переключено в режим вентилятора (D) или обычный режим осушения (V1). Нажмите кнопку скорости вентилятора (F), чтобы выбрать низкую или высокую скорость. Загорится подходящий индикатор (F1 или F2).

9. Нажмите кнопку спящего режима (G), чтобы выключить все остальные индикаторы, кроме спящего режима. Нажмите любую кнопку, чтобы увидеть ранее настроенные функции на панели управления. Через 5 секунд работа в спящем режиме будет продолжена. Чтобы отменить спящий режим, снова нажмите кнопку спящего режима (G).

10. Нажмите выключатель питания (A) еще раз, чтобы выключить устройство, машина остановится.

Сервис резервуаров для воды

1. Если резервуар для воды (3) заполнен или резервуар для воды (3) установлен в неправильном положении, то на панели управления (1) загорается индикатор полного резервуара для воды (К). Устройство издает повторяющиеся звуковые сигналы, индикатор влажности (10) начинает мигать красным цветом.
2. Когда световой индикатор полного бака для воды (К) мигает, компрессор, установленный внутри машины, останавливается, чтобы в нем не производилась конденсация воды, пока бак для воды не опустеет или не будет установлен в правильное положение, но вентилятор продолжает работать.
3. Чтобы снять резервуар для воды (3), возьмитесь за боковые стороны резервуара для воды и вытащите его. Не снимайте поплавков (6) с резервуара для воды (3). Посмотрите на картинку 3.
4. Чтобы опорожнить резервуар для воды (3), наклоните его, как показано на рисунке 5, и медленно слейте воду. Затем установите резервуар для воды (3) в осушитель.

Функция непрерывного дренажа

1. Если вам нужно осушать воздух в течение длительного времени, вы можете использовать функцию непрерывного дренажа.
 2. Вытяните резиновую пробку (11), затем вставьте прилагаемый сливной шланг (7), как показано на рисунке 2.
 3. По окончании непрерывного слива установите на место резиновую пробку (11) и выключите прибор.
- Сплошной сливной шланг: длина: 30 см, внутренний диаметр: 17 мм, внешний диаметр: 19 мм.

Чистка и уход

1. Выключите устройство и отсоедините шнур питания перед началом любой очистки или другого планового обслуживания.
2. Во избежание риска поражения электрическим током никогда не брызгайте и не проливайте воду на осушитель во время чистки.
3. Выключите устройство и слейте воду из резервуара для воды перед перемещением устройства. Обязательно держитесь за ручку во время движения.
4. Протрите корпус устройства влажной тканью.
5. Не снимайте поплавков (6) с резервуара для воды (3).
6. Перед запланированной непрерывной работой в течение длительного времени требуется периодическая проверка, особенно сетевого воздушного фильтра (8), фильтра с активированным углем (12) и дренажного шланга (7) и т.п.
7. Чтобы очистить или заменить фильтры:
 - отсоедините пробку и выньте емкость для воды (3),
 - снимите корпус фильтра (9), как показано на рисунке 4,
 - выньте сетчатый фильтр (8) из корпуса и осторожно снимите фильтр с активированным углем (12).
 - очищайте оба фильтра каждые две недели пылесосом. Эффективность осушения может снизиться, если фильтры забиты мусором.
 - вставьте фильтры внутрь корпуса фильтра (9) и вставьте их в корпус устройства.
8. Не чистите устройство бензином, разбавителем или жидким моющим средством.

ТЕХНИЧЕСКИЕ ДАННЫЕ:

Производительность по осушению при 30 ° C / 80% относительной влажности): 10 литров / 24 часа

Производительность по осушению при 27 ° C / 60% относительной влажности): 5 литров / 24 часа

Уровень шума: <= 45 дБ

Емкость резервуара для воды: 2,2 литра

Расход воздуха: 120 м3 / час

Вес охлаждающей жидкости R290: макс. 35 грамм

Номинальная входная мощность: 200 Вт

Максимум. Номинальная входная мощность: 245 Вт

Электропитание: 220-240 В ~ 50 Гц



Осторожно, опасность пожара.

НЕ прокалывать и не сжигать.

Помните, что хладагент не может содержать запах.

Максимальное количество заправляемого хладагента: 35 г.



Забываясь об окружающей среде.. Упаковку из картона передайте, пожалуйста, на макулатуру. Полиэтиленовые мешки (PE) выкидать в резервуар для пластмассы. Изношенное устройство надо передать в соответствующую точку хранения, так как находящиеся в устройстве опасные составляющие могут являться угрозой для окружающей среды. Электрическое устройство надо передать таким образом, чтобы ограничить его повторное употребление и использование. Если в устройстве находятся батареи, их надо вытянуть и передать в точку хранения отдельно. Устройство не выкидать в резервуар для коммунальных отходов!

CONDIZIONI GENERALI DI SICUREZZA

IMPORTANTI ISTRUZIONI DI SICUREZZA LEGGERE ATTENTAMENTE E SALVARE PER IL FUTURO

1. Prima di utilizzare il dispositivo, leggere il manuale operativo e seguire le istruzioni in esso contenute. Il produttore non è responsabile per danni causati dall'uso del dispositivo contrario allo scopo previsto o al funzionamento improprio.
2. Il dispositivo è solo per uso domestico. Non utilizzare per altri scopi diversi da quelli previsti.
3. Il dispositivo deve essere collegato solo a una presa CA con una messa a terra da 220 240 V ~ 50 Hz. Per aumentare la sicurezza operativa, più dispositivi elettrici non devono essere collegati contemporaneamente a un circuito di corrente.
4. Usare estrema cautela quando si usa il dispositivo quando i bambini sono nelle vicinanze. Non consentire ai bambini di giocare con il dispositivo, non consentire ai bambini o alle persone che non hanno familiarità con il dispositivo di usarlo.
5. **AVVERTENZA:** questa apparecchiatura può essere utilizzata da bambini di età superiore a 8 anni e persone con capacità fisiche, sensoriali o mentali limitate o persone che non hanno esperienza o conoscenza dell'attrezzatura, se ciò viene fatto sotto la supervisione di una persona responsabile per la loro sicurezza o hanno ricevuto loro informazioni sull'uso sicuro del dispositivo e sono consapevoli dei pericoli connessi all'uso. I bambini non devono giocare con l'attrezzatura. La pulizia e la manutenzione del dispositivo non devono essere eseguite da bambini, a meno che non abbiano più di 8 anni e queste attività siano svolte sotto controllo.
6. Scollegare sempre la spina di alimentazione tenendo la presa con la mano dopo l'uso. **NON** tirare il cavo di alimentazione.
7. Non immergere il cavo, la spina e l'intero dispositivo in acqua o altri liquidi. Non esporre il dispositivo a condizioni atmosferiche (pioggia, sole, ecc.) O utilizzare in condizioni di elevata umidità (bagni, case mobili umide).
8. Controllare periodicamente le condizioni del cavo di alimentazione. Se il cavo di alimentazione è danneggiato, deve essere sostituito da un'officina specializzata per evitare pericoli.
9. Non utilizzare l'apparecchio con un cavo di alimentazione danneggiato o se è stato fatto cadere o danneggiato in altro modo o se non funziona correttamente. Non riparare il dispositivo da soli, poiché esiste il rischio di scosse elettriche. Portare il dispositivo danneggiato in un centro di assistenza adeguato per il controllo o la riparazione. Tutte le riparazioni possono essere eseguite solo da punti di assistenza autorizzati. Le riparazioni eseguite in modo errato possono causare gravi pericoli per l'utente.
10. Collocare il dispositivo su una superficie fresca e stabile, lontano da elettrodomestici da cucina caldi come: fornelli elettrici, bruciatori a gas, ecc.
11. Assicurarsi che nulla blocchi l'entrata e l'uscita dell'aria del dispositivo
12. Utilizzare il dispositivo solo su una superficie piana per evitare la fuoriuscita della condensa

13. Per fornire una protezione aggiuntiva, si consiglia di installare un dispositivo a corrente residua (RCD) nel circuito elettrico con una corrente residua nominale non superiore a 30 mA. Chiedi a un elettricista per questo.
14. Pulire regolarmente il filtro dell'aria. La frequenza della pulizia dipende dalla pulizia dell'aria.
15. Dopo aver spento la macchina, attendere almeno 5 minuti prima di riaccenderla.
16. Per un'efficace deumidificazione, è necessario utilizzare uno spazio di almeno 20 cm tra le pareti laterali dei dispositivi e i mobili o le tende compressi.
17. Per evitare il rischio di incendio o esplosione, non spruzzare l'asciugatrice
18. Per utilizzare le parti dell'alloggiamento, non posizionare il deumidificatore vicino ai dispositivi di riscaldamento.
19. Rimuovere l'acqua raccolta nel serbatoio. Bere accidentalmente acqua o usarla con altre persone può causare malattie.
20. Non supporta i dispositivi con il coperchio posteriore rimosso a causa di parti mobili e calde.
21. Non utilizzare alcun mezzo per eseguire lo scongelamento o il processo operativo diversi da quelli raccomandati dal produttore.
22. Il dispositivo dovrebbe essere disponibile come parte di un elenco permanente di fonti di accensione, vale a dire senza fiamma aperta, senza un dispositivo a gas funzionante o senza un riscaldatore del dispositivo funzionante.
23. Non perforare o fumare.
24. Si noti che i produttori di refrigerazione potrebbero non contenere fragranze.

Prima del primo utilizzo:

1. Il deumidificatore deve essere utilizzato su una superficie piana e stabile, mantenere le distanze tra l'unità e altri oggetti secondo la figura 1 per garantire un'efficienza adeguata. Chiudi tutte le finestre e le porte della stanza che vuoi deumidificare l'aria.
2. Per evitare il congelamento dell'acqua, non utilizzare il deumidificatore e il tubo di scarico a temperatura ambiente inferiore a 0 ° C
3. Non utilizzare il deumidificatore all'esterno. L'esposizione alla luce solare diretta o alla pioggia può provocare surriscaldamento, scosse elettriche e incendi.
4. Non mettere il serbatoio dell'acqua sul deumidificatore per evitare fuoriuscite d'acqua all'interno dell'unità e deteriorare l'isolamento.
5. Non tentare mai di utilizzare il deumidificatore per usi speciali, come la deumidificazione degli alimenti o la conservazione di oggetti d'arte o simili.
6. Non utilizzare il deumidificatore in presenza di perdite di olio o gas infiammabili. Non utilizzare l'unità in luoghi soggetti a sostanze chimiche.
7. Per lo scarico continuo, assicurarsi che il tubo di scarico sia impostato correttamente con la pendenza.
8. Fare attenzione che un apparecchio di riscaldamento non sia esposto al vento dal deumidificatore.
9. Non utilizzare il deumidificatore come sedia o poggiatesta.
10. Non rimuovere la leva del galleggiante dal serbatoio dell'acqua.
11. Non bloccare le prese d'aria e le prese d'aria.
12. Non coprire l'unità con indumenti lavati.

Prima di un funzionamento continuo per un lungo periodo, è necessario un controllo periodico, in particolare per il filtro di pulizia dell'aria, il tubo di scarico o simili.

Descrizione del prodotto: CR7851 Deumidificatore d'aria

- | | |
|--|------------------------------------|
| 1. Pannello di controllo | 2. Ingresso aria |
| 3. Serbatoio acqua 2,2L | 4. Uscita aria |
| 5. Maniglia | 6. Galleggiante |
| 7. Tubo flessibile di scarico | 8. Filtro dell'aria a rete |
| 9. Alloggiamento del filtro | 10. Indicatore luminoso di umidità |
| 11. Tappo in gomma per funzione di drenaggio | 12. Filtro a carboni attivi |

Pannello di controllo

A. Pulsante di alimentazione

B1. Indicatore modalità di deumidificazione ordinaria

B3. Indicatore della modalità di deumidificazione forte

C. Pulsante timer 0-24 ore

D. Pulsante / indicatore modalità ventilatore aggiuntivo

F. Pulsante velocità ventilatore

F2. Indicatore di alta velocità del ventilatore

H. Pulsante di impostazione per umidità 30-80% di umidità relativa

J. Indicatore della modalità di sbrinamento

L. Display digitale di umidità e timer

Efficienza

1. L'apparecchio esegue automaticamente lo sbrinamento ad intervalli regolari in base alla temperatura ambiente.

a) Se la temperatura ambiente è uguale o superiore a 24 °C, lo sbrinamento viene interrotto.

b) Se la temperatura ambiente è 18 °C -24 °C, lo sbrinamento viene attivato per 5 minuti ogni 120 minuti di deumidificazione.

c) Se la temperatura ambiente è 12 °C -18 °C, lo sbrinamento viene attivato per 5 minuti ogni 25 minuti di deumidificazione.

d) Se la temperatura ambiente è 5 °C -12 °C, lo sbrinamento viene attivato per 5 minuti ogni 20 minuti di deumidificazione.

2. Durante l'operazione di sbrinamento, la funzione di deumidificazione può essere interrotta.

3. Non spegnere l'interruttore o scollegare la spina di alimentazione del deumidificatore durante l'operazione di sbrinamento.

4. Questo deumidificatore non può essere applicabile per mantenere temperature estremamente basse. La funzione di questo deumidificatore è quella di eliminare l'umidità sgradevole e alta.

B. Pulsante modalità

B2. Indicatore della modalità di deumidificazione continua

B4. Indicatore della modalità di asciugatura dei vestiti

C1. Indicatore di unità di tempo

E. Pulsante / indicatore blocco bambini

F1. Indicatore di bassa velocità della ventola

G. Pulsante / indicatore della modalità di sospensione

H1. Indicatore unità di umidità

K. Indicatore del serbatoio dell'acqua pieno

Capacità deumidificante

1. Questo deumidificatore non ha la funzione di raffreddamento. Produrrà calore durante il funzionamento e aumenterà la temperatura ambiente di 1-4 °C.

2. La capacità di deumidificazione giornaliera del deumidificatore dipende dalla temperatura ambiente e dall'umidità relativa. A diverse temperature e umidità relativa, può avere capacità deumidificanti differenti.

3. A parità di temperatura ambiente, la capacità di deumidificazione è maggiore con un'umidità relativa più elevata e la capacità di deumidificazione è inferiore con un'umidità relativa inferiore. A parità di umidità relativa, la capacità di deumidificazione è maggiore a temperature più elevate e la capacità di deumidificazione è inferiore a temperature più basse.

4. Se il deumidificatore è posizionato nell'armadio, la sua capacità di deumidificazione potrebbe ridursi notevolmente in un breve periodo dopo il funzionamento a causa dell'umidità nell'armadio.

5. Per 5 °C / 10 °C / 15 °C / 20 °C / 25 °C / 30 °C di temperatura ambiente e 80% di umidità relativa la capacità di deumidificazione è rispettivamente di circa 2/4/6/8/10 litri d'acqua quando l'uscita dell'aria è completamente aperta.

Indicatore luminoso di umidità (10)

Durante il funzionamento, la spia di indicazione dell'umidità mostra l'attuale livello di umidità nella stanza:

- Il colore blu significa bassa umidità inferiore al 50% di umidità relativa

- Il colore verde indica un'umidità media compresa tra il 51% e il 69% di umidità relativa

- Il colore rosso indica un'umidità elevata superiore al 70% di umidità relativa

Notare che il valore dell'umidità relativa ha una tolleranza del 3% quando si accende la spia di indicazione corrispondente.

Operazione

1. Posizionare l'unità macchina in posizione verticale per evitare malfunzionamenti e rumori insoliti. Mantenere le distanze tra altri oggetti come mostrato nella figura 1. Collegare il dispositivo.

2. Premere l'interruttore di alimentazione (A) sul pannello di controllo (1) per accendere il dispositivo. Il display digitale (L) mostrerà l'attuale livello di umidità nella stanza.

3. Premere nuovamente il pulsante Modalità (B) per scegliere la modalità di funzionamento desiderata tra:

B1. Modalità di deumidificazione ordinaria

Quando si sceglie questa modalità, l'indicatore B1 si accenderà.

B2. Modalità di deumidificazione continua

Quando si sceglie questa modalità, l'indicatore B2 si accenderà.

B3. Forte modalità di deumidificazione

Quando si sceglie questa modalità, l'indicatore B3 si accenderà.

B4. Modalità di asciugatura dei vestiti

Quando si sceglie questa modalità, l'indicatore B4 si accenderà.

4. Il pulsante di impostazione dell'umidità (H) deve essere premuto di nuovo per impostare l'umidità ambiente desiderata tra il 30 e l'80% con un fattore di regolazione del 5%. L'impostazione dell'umidità è valida solo in modalità di deumidificazione ordinaria (B1). Dopo aver impostato l'umidità ambiente richiesta, il display digitale (L) lampeggerà per ricordarlo e il dispositivo inizierà a funzionare.

Successivamente sul display digitale (L) viene mostrata l'umidità presente nella stanza. È necessario impostare l'umidità ambiente richiesta a un livello inferiore a quello presente nell'ambiente, altrimenti il dispositivo non avvierà la deumidificazione. Quando l'umidità relativa nella stanza sarà uguale al livello di umidità relativa precedentemente impostato sul display, il dispositivo spegnerà automaticamente il

compressore, il deumidificatore si fermerà; funzionerà solo la ventola.

5. Il pulsante Timer (C) ha due funzioni:

Funzione PARTENZA RITARDATA

Il timer può essere impostato quando il dispositivo è spento. Premere il pulsante timer (C): l'indicatore "Hr" (C1) sul display LED si accende e "00" apparirà sul display digitale (L); entro 5 secondi, è necessario premere il pulsante del timer (C) per selezionare l'ora desiderata in cui il dispositivo deve accendersi. Una volta impostato il timer, l'ora verrà visualizzata per 5 secondi, l'indicatore "Hr" (C1) sarà acceso. Il dispositivo si accenderà automaticamente allo scadere del tempo di configurazione.

Impostazione della funzione Timer OFF - RITARDO ARRESTO

La funzione timer off può essere impostata quando il dispositivo è in stato di accensione. Premere il pulsante Timer (C): l'indicazione "Hr" (C1) sul display LED si accende e "00" appare sul display digitale (L); entro 5 secondi, è necessario premere il pulsante del timer (C) per selezionare l'ora desiderata per lo spegnimento del dispositivo. Dopo aver impostato il timer, l'ora verrà visualizzata per 5 secondi e l'indicatore "Hr" (C1) si accenderà. Il dispositivo si spegnerà automaticamente una volta trascorso il tempo di configurazione.

L'intervallo del timer va da 1 a 24 ore con un intervallo di 1 ora.

6. Il pulsante della modalità ventola aggiuntiva (D) deve essere premuto per attivare o disattivare la circolazione dell'aria oltre al funzionamento della ventola. Quando questa modalità di ventilazione è attivata per una circolazione d'aria supplementare, la modalità di deumidificazione è disattivata.

7. Il pulsante di blocco bambini (E) deve essere premuto e tenuto premuto per 3 secondi per ascoltare il suono che conferma l'accesso ai pulsanti per bloccare lo stato, in questo momento la pressione di qualsiasi pulsante non è valida. Anche il pulsante di sicurezza per bambini è acceso in questo momento. Per disattivare lo stato di blocco dei pulsanti, premere nuovamente il pulsante di blocco bambini (E) e tenerlo premuto per 3 secondi per ascoltare il suono che conferma l'annullamento dello stato di blocco dei pulsanti.

8. Il pulsante della velocità della ventola (F) può essere azionato quando il dispositivo è impostato sulla modalità di ventilazione (D) o sulla modalità di deumidificazione ordinaria (B1). Premere il pulsante della velocità della ventola (F) per selezionare tra bassa o alta velocità. Si accenderà l'indicatore adatto (F1 o F2).

9. Il pulsante della modalità di sospensione (G) deve essere premuto per spegnere tutte le altre spie tranne la modalità di sospensione. Premere un pulsante qualsiasi per visualizzare le funzioni impostate in precedenza sul pannello di controllo. Dopo 5 secondi, il funzionamento della modalità di sospensione verrà continuato. Per annullare la modalità di sospensione, premere nuovamente il pulsante della modalità di sospensione (G).

10. Premere nuovamente l'interruttore di alimentazione (A) per spegnere il dispositivo, l'unità macchina smette di funzionare.

Servizio di serbatoi d'acqua

1. Se il serbatoio dell'acqua (3) è pieno o il serbatoio dell'acqua (3) non è installato nella posizione corretta, l'indicazione del serbatoio dell'acqua pieno (K) si accende sul pannello di controllo (1). Il dispositivo emetterà ripetuti suoni di allarme, la spia dell'umidità (10) inizia a lampeggiare di colore rosso.

2. Quando la spia del serbatoio dell'acqua pieno (K) lampeggia, il compressore installato all'interno della macchina si ferma in modo che non condensa l'acqua fino a quando il serbatoio dell'acqua non è vuoto o nella posizione corretta, ma il ventilatore continua a funzionare.

3. Per rimuovere il serbatoio dell'acqua (3), afferrare i lati del serbatoio dell'acqua ed estrarlo. Non smontare il galleggiante (6) dal serbatoio dell'acqua (3). Guarda l'immagine 3.

4. Per svuotare il serbatoio dell'acqua (3), inclinarlo come mostrato nella figura 5 e scaricare l'acqua lentamente. Quindi reinstallare il serbatoio dell'acqua (3) nel deumidificatore.

Funzione di drenaggio continuo

1. Se è necessario deumidificare l'aria per un lungo periodo, è possibile utilizzare la funzione di drenaggio continuo.

2. Tirare il tappo di gomma (11), quindi inserire il tubo di scarico continuo in dotazione (7) come in figura 2.

3. Terminato lo scarico continuo, riposizionare il tappo in gomma (11) e spegnere il dispositivo.

Tubo di scarico continuo: lunghezza: 30 cm, diametro interno: 17 mm, diametro esterno: 19 mm.

Pulizia e manutenzione

1. Spegnerne l'unità e scollegare la spina di alimentazione prima di iniziare qualsiasi operazione di pulizia o altra manutenzione ordinaria.

2. Per evitare il rischio di scosse elettriche, non spruzzare o versare mai acqua sul deumidificatore durante la pulizia.

3. Spegnerne il dispositivo e svuotare l'acqua dal serbatoio prima di spostare il dispositivo. Assicurarsi di tenere la maniglia mentre ti muovi.

4. Pulire l'alloggiamento o il dispositivo con un panno umido.

5. Non smontare il galleggiante (6) dal serbatoio dell'acqua (3).

6. Prima del funzionamento continuo programmato per una lunga durata, è richiesto un controllo periodico specialmente per il filtro dell'aria a rete (8), il filtro a carbone attivo (12) e il tubo di scarico (7) o simili.

7. Per pulire o sostituire i filtri:

- scollegare la spina ed estrarre il serbatoio dell'acqua (3),

- rimuovere l'alloggiamento del filtro (9) come mostrato in figura 4,

- togliere il filtro a rete (8) dall'alloggiamento e rimuovere delicatamente il filtro a carboni attivi (12)

- pulire entrambi i filtri ogni due settimane con un aspirapolvere. Le prestazioni di deumidificazione possono diminuire quando i filtri sono ostruiti da detriti.

- inserire i filtri all'interno dell'alloggiamento del filtro (9) e inserirli nell'alloggiamento del dispositivo.

8. Non pulire il dispositivo con benzina, diluenti o detersivi liquidi.

DATI TECNICI:

Capacità di deumidificazione a 30 ° C / 80% UR): 10 litri / 24 ore

Capacità di deumidificazione a 27 ° C / 60% UR): 5 litri / 24 ore

Livello di rumore: <= 45 dB

Capacità serbatoio acqua: 2,2 litri

Flusso d'aria: 120 m3 / ora

Peso refrigerante R290: max. 35 grammi

Potenza in ingresso rated: 200W

Max. Potenza in ingresso rated: 245W

Alimentazione: 220-240 V ~ 50 Hz



Attenzione, rischio di incendio.

NON perforare o bruciare.

Tenere presente che il refrigerante potrebbe non contenere odori.

La quantità massima di carica di refrigerante: 35 g.



Prendiamoci cura dell'ambiente naturale. I contenitori in cartone dovrebbero essere portati all'apposito punto di raccolta. I sacchi in polietilene (PE) vanno buttati nel contenitore per la plastica. L'apparecchio fuori uso deve essere rottamato presso un centro di raccolta autorizzato, poiché contiene elementi pericolosi che potrebbero costituire una minaccia per l'ambiente. Il dispositivo elettrico deve essere consegnato in modo da limitare il suo riutilizzo. Se l'apparecchio contiene batterie, è necessario rimuoverle e smaltirle separatamente.

HRVATSKI

OPĆI UVJETI SIGURNOSTI

VAŽNE SIGURNOSNE UPUTE PROČITAJTE UPOZORENJE I SPREMITE SE ZA BUDUĆNOST

1. Prije upotrebe uređaja, pročitajte korisnički priručnik i slijedite upute sadržane u njemu. Proizvođač ne odgovara za štetu nastalu upotrebom uređaja suprotno njegovoj predviđenoj namjeni ili nepravilnom radu.
2. Uređaj je namijenjen samo kućnoj uporabi. Ne koristite za druge svrhe koje nisu prema njegovoj predviđenoj namjeni.
3. Uređaj treba spojiti samo na izmjeničnu utičnicu s uzemljenim 220 240V ~ 50Hz. Da bi se povećala operativna sigurnost, više električnih uređaja ne smije istovremeno biti povezano na jedan strujni krug.
4. Budite izuzetno oprezni kada koristite uređaj kada su djeca u blizini. Ne dopustite djeci da se igraju s uređajem, ne dopustite djeci ili osobama koje nisu upoznate s uređajem.
5. **UPOZORENJE:** Ovu opremu mogu koristiti djeca starija od 8 godina i osobe ograničene tjelesne, senzorne ili mentalne sposobnosti, ili ljudi koji nemaju iskustva ili znanje o uređaju, ako se to radi pod nadzorom odgovorne osobe radi njihove sigurnosti ili su im odobreni podaci o sigurnoj upotrebi uređaja i svjesni su opasnosti upotrebe uređaja. Djeca se ne bi trebala igrati s opremom. Čišćenje i održavanje uređaja ne smiju obavljati djeca, osim ako imaju više od 8 godina i ove aktivnosti se izvode pod nadzorom.
6. Uvijek isključite utikač držeći utičnicu rukom nakon uporabe. **NE** povlačite kabel za napajanje.
7. Ne uranjajte kabel, utikač i cijeli uređaj u vodu ili bilo koju drugu tekućinu. Ne izlažite uređaj atmosferskim uvjetima (kiša, sunce itd...) I ne koristite u uvjetima visoke vlage (kupaonice, vlažne mobilne kućice).
8. Povremeno provjeravajte stanje kabela za napajanje. Ako je mrežni kabel oštećen, zamijenite ga specijaliziranoj servisnoj službi kako biste izbjegli opasnost.
9. Ne koristite uređaj s oštećenim kablom za napajanje ili ako je ispao ili oštećen na bilo koji drugi način ili ako ne radi ispravno. Ne popravljajte uređaj sami jer postoji opasnost od električnog udara. Oštećeni uređaj odnesite u odgovarajući servisni centar radi provjere ili popravka. Sve popravke smiju obavljati samo ovlašteni servisi. Nepravilno izvedeni popravci mogu ozbiljno opasiti za korisnika.

10. Uređaj postavite na hladnu i stabilnu površinu, daleko od vrućih kuhinjskih uređaja kao što su: električni štednjak, plinski plamenik itd...
11. Pazite da ništa ne blokira dovod i izlaz zraka u uređaju
12. Koristite uređaj samo na ravnoj površini kako ne bi došlo do proljevanja kondenzata
13. Da biste osigurali dodatnu zaštitu, preporučljivo je u električni krug instalirati zaostalu struju (RCD), nazivna zaostala struja koja ne prelazi 30mA. Pitajte za to električara.
14. Redovito čistite filter za zrak. Učestalost čišćenja ovisi o čistoći zraka.
15. Nakon isključivanja stroja pričekajte najmanje 5 minuta prije nego što ga ponovno uključite.
16. Za učinkovito odvlaživanje vlage, potrebno je koristiti razmak od najmanje 20 cm između bočnih zidova uređaja i komprimiranog namještaja ili zavjesa.
17. Da biste izbjegli opasnost od požara ili eksplozije, ne prskajte sušilicu
18. Za korištenje dijelova kućišta, ne stavljajte ovlaživač zraka u blizinu grijaćih uređaja.
19. Uklonite vodu skupljenu u spremniku. Slučajno ispijanje vode ili korištenje s drugim ljudima može uzrokovati bolest.
20. Ne podržava uređaje s uklonjenim stražnjim poklopcem zbog pokretnih i vrućih dijelova.
21. Nemojte koristiti sredstva za otapanje ili rukovanje drugim proizvodima osim onih koje je preporučio proizvođač.
22. Uređaj bi trebao biti dostupan u sklopu stalnog popisa izvora paljenja, tj. Bez otvorenog plamena, bez radnog plinskog uređaja ili bez grijača radnog uređaja.
23. Ne probijajte i ne pušite.
24. Imajte na umu da proizvođači proizvoda za hlađenje možda ne sadrže mirise.

Prije prve upotrebe:

1. Odvlaživač mora se koristiti na ravnoj i stabilnoj površini, držati udaljenosti između jedinice i drugih predmeta u skladu sa slikom 1 kako bi se osigurala prikladna učinkovitost. Zatvorite sve prozore i vrata prostorije u kojima želite odmrznuti zrak.
2. Da biste spriječili zamrzavanje vode, ne koristite odvlaživač i odvodno crijevo na sobnoj temperaturi ispod 0 ° C
3. Ne koristite odvlaživač vani. Izloženost izravnoj sunčevoj svjetlosti ili kiši može rezultirati pregrijavanjem, strujnim udarom i požarom.
4. Ne stavljajte spremnik vode na odvlaživač zraka kako biste izbjegli proljevanje vode u uređaj unutar i oštetili izolaciju.
5. Nikad ne pokušavajte koristiti odvlaživač zraka za posebne namjene, kao što je odvlaživanje hrane ili očuvanje umjetničkih predmeta ili slično.
6. Ne koristite odvlaživač zraka gdje može doći do curenja ulja ili zapaljivog plina. Ne koristite jedinicu na mjestima koja su izložena kemikalijama.
7. Za kontinuirano odvodnja, osigurajte da je odvodno crijevo pravilno postavljeno uz nagib.
8. Pazite da uređaj za grijanje ne bude izložen vjetru iz uređaja za odvlaživanje zraka.
9. Nemojte koristiti odvlaživač zraka kao stolicu ili podlogu za stopala.
10. Ne uklanjajte plutajuću polugu iz spremnika vode.
11. Ne blokirajte otvore za zrak i otvore za zrak.
12. Ne prekrivajte jedinicu opranom odjećom.

Prije kontinuiranog rada dugog vremena, potrebna je periodična provjera, posebno za filter za čišćenje zraka, odvodno crijevo ili slično.

Opis proizvoda: CR7851 Odvlaživač zraka

- | | |
|-------------------------------------|--------------------------------|
| 1. Upravljačka ploča | 2. Ulaz zraka |
| 3. Spremnik za vodu 2,2L | 4. Izlaz za zrak |
| 5. Ručka | 6. Floater |
| 7. Odvodno crijevo | 8. Mrežasti zračni filter |
| 9. Kućište filtra | 10. Svjetlo indikatora vlage |
| 11. Gumeni čep za funkciju odvodnje | 12. Filter s aktivnim ugljenom |

Upravljačka ploča

A. Gumb za uključivanje

B1. Pokazatelj uobičajenog načina odvlaživanja

B. Gumb za način rada

B2. Indikator kontinuiranog odvlaživanja

- B3. Pokazatelj jakog odvlaživanja zraka
- C. Tipka za odbrojavanje 0-24 sata
- D. Dodatni gumb / indikator načina rada ventilatora
- F. Tipka za brzinu ventilatora
- F2. Pokazatelj velike brzine ventilatora
- H. Tipka za podešavanje vlažnosti zraka 30-80% relativne vlažnosti
- J. Pokazatelj načina odmrzavanja
- L. Digitalni prikaz vlage i mjerač vremena

- B4. Pokazatelj načina sušenja odjeće
- C1. Pokazatelj vremenske jedinice
- E. Tipka / indikator brave za zaštitu djece
- F1. Pokazatelj male brzine ventilatora
- G. Gumb / indikator načina mirovanja
- H1. Pokazatelj jedinice vlažnosti
- K. Pokazatelj punog spremnika za vodu

Učinkovitost

1. Uređaj automatski vrši odmrzavanje u redovitim intervalima u skladu s sobnom temperaturom.
 - a) Ako je sobna temperatura jednaka ili veća od 24 ° C, odmrzavanje se zaustavlja.
 - b) Ako je sobna temperatura 18 ° C -24 ° C, odmrzavanje se uključuje na 5 minuta nakon svakih 120 minuta odvlaživanja.
 - c) Ako je sobna temperatura 12 ° C -18 ° C, odmrzavanje se uključuje 5 minuta nakon svakih 25 minuta odvlaživanja.
 - d) Ako je sobna temperatura 5 ° C -12 ° C, odmrzavanje se uključuje 5 minuta nakon svakih 20 minuta odvlaživanja.
2. Tijekom postupka odmrzavanja, funkcija odvlaživanja može se prekinuti.
3. Molimo nemojte isključiti prekidač ili izvući utikač za odvlaživanje tijekom postupka odmrzavanja.
4. Ovaj odvlaživač ne može se primijeniti za održavanje ekstremno niskih temperatura. Funkcija ovog odvlaživača zraka je ispušavanje neugodne, visoke vlage.

Kapacitet odvlaživanja

1. Ovaj odvlaživač nema funkciju hlađenja. Proizvest će toplinu tijekom rada i povećati sobnu temperaturu za 1-4 ° C.
2. Dnevni kapacitet odvlaživanja odvlaživača ovisi o sobnoj temperaturi i relativnoj vlažnosti. Pri različitim temperaturama i relativnoj vlažnosti zraka može imati različitu sposobnost odvlaživanja.
3. U istoj sobnoj temperaturi, sposobnost odvlaživanja veća je u višoj relativnoj vlažnosti, a sposobnost odvlaživanja manja je u nižoj relativnoj vlažnosti. U istoj relativnoj vlažnosti, sposobnost odvlaživanja veća je pri višim temperaturama, a sposobnost odvlaživanja manja je pri nižoj temperaturi.
4. Ako se odvlaživač stavi u ormar, njegov se kapacitet odvlaživanja može jako smanjiti u kratkom razdoblju nakon rada, jer je vlaga u ormariću jako smanjena.
5. Za 5 ° C / 10 ° C / 15 ° C / 20 ° C / 25 ° C / 30 ° C sobne temperature i 80% relativne vlažnosti, kapacitet odvlaživanja iznosi oko 2/4/6/8/10 litre vode kad je otvor za zrak potpuno otvoren.

Svjetlo indikatora vlažnosti (10)

Tijekom rada, indikatorna lampica vlažnosti pokazuje trenutnu razinu vlažnosti u sobi:

- Plava boja znači nisku vlažnost zraka ispod 50% relativne vlažnosti
- Zelena boja znači srednju vlažnost zraka u rasponu od 51% - 69% relativne vlažnosti
- Crvena boja znači visoku vlažnost zraka preko 70% relativne vlažnosti

Imajte na umu da vrijednost relativne vlažnosti zraka ima 3% tolerancije kada svijetli odgovarajuće indikacijsko svjetlo.

Operacija

1. Postavite jedinicu stroja uspravno kako biste izbjegli pogrešno rukovanje i neobičan zvuk. Držite udaljenost između ostalih predmeta kao što je prikazano na slici 1. Priključite uređaj.
2. Prekidač za napajanje (A) na upravljačkoj ploči (1) treba pritisnuti da biste uključili uređaj. Digitalni zaslon (L) prikazat će trenutnu razinu vlažnosti u sobi.
3. Ponovno pritisnite gumb Mode (B) za odabir željenog načina rada između:
 - B1. Uobičajeni način odvlaživanja
Kad odaberete ovaj način rada, zasvijetlit će indikator B1.
 - B2. Način kontinuiranog odvlaživanja
Kada odaberete ovaj način rada, zasvijetlit će indikator B2.
 - B3. Način snažnog odvlaživanja
Kad odaberete ovaj način rada, zasvijetlit će indikator B3.
 - B4. Način sušenja odjeće
Kad odaberete ovaj način rada, zasvijetlit će indikator B4.
4. Ponovno pritisnite gumb za podešavanje vlažnosti (H) da biste postavili željenu vlažnost u sobi između 30-80% s 5% faktora podešavanja. Postavka vlažnosti vrijedi samo u uobičajenom načinu odvlaživanja (B1). Nakon postavljanja potrebne vlažnosti u sobi, digitalni zaslon (L) trepat će kako bi ga zapamtio i uređaj počeo raditi. Sljedeće na digitalnom zaslonu (L) prikazuje se prisutna vlažnost u sobi. Potrebno je postaviti potrebnu vlažnost u sobi na nižu razinu od trenutne vlažnosti u sobi, inače uređaj neće započeti odvlaživanje. Kada je relativna vlažnost u sobi jednaka razini relativne vlažnosti zraka prethodno postavljenoj na zaslonu, uređaj će automatski isključiti kompresor, odvlaživač će se zaustaviti, raditi će samo ventilator.

5. Tipka za odbrojavanje (C) ima dvije funkcije:

Funkcija ODGODA POKRETANJA

Tajmer se može postaviti kada je uređaj u stanju isključenosti. Pritisnite tipku za odbrojavanje (C); Indikator "Hr" (C1) svijetli na LED zaslonu i na digitalnom zaslonu (L) pojavit će se "00"; u roku od 5 sekundi trebali biste pritisnuti tipku odbrojavanja (C) da biste odabrali

željeno vrijeme kada se uređaj mora uključiti. Nakon što je timer postavljen, vrijeme će se prikazivati 5 sekundi, a indikator "Hr" (C1) će biti uključen. Uređaj će se automatski uključiti nakon isteka vremena podešavanja.

Postavljanje funkcije Timer OFF - DELAY STOP

Funkcija odbrojavanja može se postaviti kada je uređaj u statusu uključivanja. Pritisnite tipku Timer (C): na LED zaslonu zasvijetli indikacija „Hr“ (C1) i na digitalnom zaslonu (L) pojavi se „00“; u roku od 5 sekundi trebali biste pritisnuti tipku odbrojavanja (C) da biste odabrali željeno vrijeme isključivanja uređaja. Nakon postavljanja odbrojavanja, vrijeme će se prikazivati 5 sek., a indikator "Hr" (C1) se uključuje. Uređaj će se automatski isključiti nakon isteka vremena podešavanja.

Raspon vremena je od 1 do 24 sata s intervalom od 1 sata.

6. Dodatni gumb načina rada ventilatora (D) treba pritisnuti za aktivnu ili reaktivnu cirkulaciju zraka uz rad ventilatora. Kada je ovaj način rada ventilatora uključen za dodatnu cirkulaciju zraka, način odvlaživanja je isključen.

7. Pritisnite tipku za zaključavanje za djecu (E) i držite je 3 sekunde da biste začuli zvuk koji potvrđuje ulazak u tipke za zaključavanje, a pritisnjanje bilo kojeg gumba trenutno nije ispravno. U ovo vrijeme svijetli i tipka za zaštitu djece. Da biste isključili zaslon za zaključavanje tipki, ponovno pritisnite gumb za zaključavanje za djecu (E) i držite ga 3 sekunde da biste čuli zvuk koji potvrđuje otkazivanje stanja zaključavanja gumba.

8. Tipkom za brzinu ventilatora (F) možete upravljati kada se uređaj prebaci u način rada ventilatora (D) ili uobičajeni način odvlaživanja (B1). Pritisnite gumb brzine ventilatora (F) za odabir između male ili velike brzine. Prikladni indikator će svijetliti (F1 ili F2).

9. Pritisnite tipku za način mirovanja (G) da biste isključili sva druga svjetla indikatora, osim mirovanja. Pritisnite bilo koju tipku da biste vidjeli ranije postavljene funkcije na upravljačkoj ploči. Nakon 5 sekundi nastaviti će se rad mirovanja. Da biste otkazali način mirovanja, ponovno pritisnite gumb mirovanja (G).

10. Pritisnite ponovno prekidač za napajanje (A) da biste isključili uređaj, aparat uređaja prestaje raditi.

Usluga spremnika za vodu

1. Ako je spremnik za vodu (3) pun ili spremnik za vodu (3) nije instaliran u ispravnom položaju, na kontrolnoj ploči (1) svijetli indikacija punog spremnika za vodu (K). Uređaj će se ponavljati zvukovima alarma, lampica indikatora vlage (10) počinje treptati crvenom bojom.
2. Kad indikatora lampica punog spremnika za vodu (K) treperi, kompresor instaliran unutar stroja zaustavlja se tako da ne kondenzira vodu sve dok spremnik za vodu nije prazan ili postavljen u pravilan položaj, ali ventilator i dalje radi.
3. Da biste uklonili spremnik za vodu (3), pridržavajte bokove spremnika za vodu i izvucite ga. Nemojte rastavljati plovak (6) iz spremnika za vodu (3). Pogledajte sliku 3.
4. Da biste ispraznili spremnik za vodu (3), nagnite ga kako je prikazano na slici 5 i polako ispuštajte vodu. Zatim ponovno postavite spremnik za vodu (3) u odvlaživač zraka.

Kontinuirana funkcija odvodnje

1. Ako dulje vrijeme trebate odvlažiti zrak, možete koristiti funkciju kontinuirane drenaže.
 2. Povucite gumeni čep (11), a zatim umetnite priključeno kontinuirano odvodno crijevo (7) kao na slici 2.
 3. Nakon završetka kontinuiranog ispuštanja, vratite gumeni čep (11) i isključite uređaj.
- Crijevo za kontinuirano odvod: duljina: 30 cm, unutarnji promjer: 17 mm, vanjski promjer: 19 mm.

Čišćenje i održavanje

1. Isključite jedinicu i odspojite utikač prije bilo kakvog čišćenja ili drugog redovnog održavanja.
2. Da biste izbjegli rizik od strujnog udara, nikada nemojte prskati ili prosipati vodu na odvlaživač zraka tijekom čišćenja.
3. Isključite uređaj i ispraznite vodu iz spremnika za vodu prije premještanja uređaja. Držite ručku dok se krećete.
4. Obrišite kućište o uređaja mokrom krpom.
5. Ne rastavljajte plovak (6) iz spremnika za vodu (3).
6. Prije planiranog kontinuiranog dugotrajnog rada potrebna je povremena provjera, posebno mrežnog zračnog filtra (8), filtra s aktivnim ugljenom (12) i odvodnog crijeva (7), ili slično.
7. Za čišćenje ili zamjenu filtera:
 - odvojite utikač i izvadite spremnik za vodu (3),
 - uklonite kućište filtra (9) kako je prikazano na slici 4,
 - uklonite mrežasti filter (8) s kućišta i nježno uklonite filter s aktivnim ugljenom (12)
 - očistite oba filtra svaka dva tjedna usisavačem. Izvedba odvlaživanja može se smanjiti kad su filteri začepljeni otpadom.
 - stavite filtre u kućište filtra (9) i stavite ih u kućište uređaja.
8. Ne čistite uređaj benzinom, razrjeđivačem ili tekućim deterdžentom.

TEHNIČKI PODACI:

Kapacitet odvlaživanja pri 30 ° C / 80% RH): 10 litara / 24 sata

Kapacitet odvlaživanja na 27 ° C / 60% RH): 5 litara / 24 sata

Razina buke: <= 45dB

Kapacitet spremnika za vodu: 2,2 litre

Protok zraka: 120 m³ / sat

R290 težina rashladne tekućine: maks. 35 grama

Ocijenjena ulazna snaga: 200W

Maks. Ocijenjena ulazna snaga: 245W

Napajanje: 220-240V ~ 50Hz




Oprez, opasnost od požara

NE bušiti i ne paliti.

Imajte na umu da rashladno sredstvo ne sadrži neugodan miris.

Maksimalna količina punjenja rashladnog sredstva: 35g.

 Vodimo brigu o prirodnem okolju. Kartonsku ambalažo molimo prenesti na odpadni papir. Polietilen (PE) vreče bacati v kontejner za plastiko. Istrošena oprema treba biti premještena na prikladno mjesto za pohranu, jer sadrže u uređaju opasne tvari mogu predstavljati opasnost za okoliš. Električni uređaj mora biti predat u takvom stanju da se smanji mogućnost njegove ponovne upotrebe. Ako vaš uređaj ima baterije, treba njih ukloniti i predati na mjesto za pohranu odvojeno.

SLOVENŠČINA

SPLOŠNI VARNOSTNI POGOJI

POMEMBNA VARNOSTNA NAVODILA PREVIDNO PREBERITE IN PRIPRAVITE SE ZA PRIHODNOST

1. Pred uporabo naprave preberite navodila za uporabo in sledite navodilom, ki jih vsebuje. Proizvajalec ne odgovarja za škodo, ki jo povzroči uporaba naprave v nasprotju s predvidenim namenom ali nepravilnim delovanjem.
2. Naprava je samo za domačo uporabo. Ne uporabljajte za druge namene, ki niso predvideni.
3. Napravo je treba priključiti na električno vtičnico le z ozemljenim 220 240 V ~ 50Hz. Za povečanje obratovalne varnosti več električnih naprav ne bi smelo biti priključeno na en tokovni tokokrog hkrati.
4. Bodite zelo previdni pri uporabi naprave, ko so otroci v bližini. Ne dovolite otrokom, da se igrajo z napravo, ne dovolite otrokom ali ljudem, ki jih naprava ne pozna, da jo uporabljajo.
5. **OPOZORILO:** To opremo lahko uporabljajo otroci, starejši od 8 let, in osebe z omejenimi telesnimi, senzoričnimi ali duševnimi sposobnostmi ali osebe, ki nimajo izkušenj ali znanja o opremi, če se to izvaja pod nadzorom odgovorne osebe. zaradi varnosti ali so jim bili odobreni podatki o varni uporabi naprave in se zavedajo nevarnosti uporabe. Otroci se ne smejo igrati z opremo. Čiščenja in vzdrževanja naprave ne smejo izvajati otroci, razen če so starejši od 8 let in se te dejavnosti izvajajo pod nadzorom.
6. Vedno odklopite napajalni kabel, tako da po uporabi držite vtičnico z roko. NE vlecite napajalnega kabla.
7. Kabla, vtiča in celotne naprave ne potopite v vodo ali katero koli drugo tekočino. Naprave ne izpostavljajte atmosferskim razmeram (dež, sonce itd...) In ne uporabljajte v pogojih visoke vlažnosti (kopalnice, vlažne mobilne hišice).
8. Občasno preverite stanje napajalnega kabla. Če je napajalni kabel poškodovan, ga zamenjajte s specializirano servisno delavnico, da se izognete nevarnosti.
9. Naprave ne uporabljajte s poškodovanim napajalnim kablom ali če je padel ali poškodovan na kakršen koli drug način ali če ne deluje pravilno. Naprave ne popravljajte sami, saj obstaja nevarnost električnega udara. Poškodovano napravo odnesite v ustrezen servisni center, da preverite ali popravite. Vsa popravila smejo izvajati samo pooblaščenji serviserji. Nepravilno opravljena popravila lahko za uporabnika resno ogrozijo.
10. Napravo postavite na hladno in stabilno površino, stran od vročih kuhinjskih aparatov, kot so: električni štedilnik, plinski gorilnik itd...
11. Prepričajte se, da nič ne blokira dovoda in izstopa zraka v napravi
12. Napravo uporabljajte samo na ravni površini, da preprečite razlitje kondenzata
13. Za dodatno zaščito je priporočljivo v električni tokokrog vgraditi napravo za preostali tok (RCD) z nazivno preostalo vrednostjo, ki ne presega 30 mA. Za to vprašajte električarja.

14. Zračni filter redno čistite. Pogostost čiščenja je odvisna od čistoče zraka.
15. Po izklopu stroja počakajte vsaj 5 minut, preden ga ponovno vklopite.
16. Za učinkovito razvlaževanje je treba med stranskimi stenami naprav in stisnjenim pohištvom ali zavesami uporabiti najmanj 20 cm reže.
17. Sušilnika ne razpršite, da preprečite nevarnost požara ali eksplozije
18. Za uporabo delov ohišja ne odlagajte vlažilcev v bližini grelnih naprav.
19. Odstranite vodo, zbrano v rezervoarju. Nenamerno pitje vode ali uporaba z drugimi ljudmi lahko povzroči bolezen.
20. Ne podpira naprav z odstranjenim zadnjim pokrovom zaradi premikajočih in vročih delov.
21. Za odtajevanje ali obratovanje ne uporabljajte drugih sredstev, razen tistih, ki jih priporoča proizvajalec.
22. Naprava mora biti na voljo kot del stalnega seznama virov vžiga, tj. Brez odprtega plamena, brez delujoče plinske naprave ali brez delujočega grelnika naprave.
23. Ne prebijajte in ne kadite.
24. Upoštevajte, da proizvajalci hladilnikov morda ne vsebujejo dišav.

Pred prvo uporabo:

1. Razvlaževalnik zraka je treba uporabljati na ravni in stabilni površini, vzdrževati razdalje med enoto in drugimi predmeti v skladu s sliko 1, da zagotovite primerno učinkovitost. Zaprite vsa okna in vrata sobe, ki jo želite razvlažiti.
2. Za preprečitev zmrzovanja vode ne uporabljajte razvlaževalnika in odtočne cevi pri sobni temperaturi pod 0 ° C
3. Ne uporabljajte vlažilnika zunaj. Izpostavljenost neposredni sončni svetlobi ali dežju lahko povzroči pregrevanje, električni udar in požar.
4. Ne postavljajte rezervoarja za vodo na razvlaževalnik, da ne bi prišlo do razlivanja vode v enoto znotraj in poslabša izolacijo.
5. Nikoli ne poskušajte uporabljati razvlaževalnika zraka za posebne namene, kot je razvlaževanje hrane ali ohranjanje umetniških predmetov ali podobno.
6. Ne uporabljajte razvlaževalnika zraka, kjer lahko pride do uhajanja olja ali vnetljivega plina. Ne uporabljajte enote na mestih, ki so izpostavljene kemikalijam.
7. Za stalno izpraznitev poskrbite, da je odtočna cev pravilno nastavljena z naklonom.
8. Pazite, da grelna naprava ne bo izpostavljena vetru iz razvlaževalnika.
9. Ne uporabljajte razvlaževalnika zraka kot stola ali stopala.
10. Ne odstranjujte ročice s plovcem iz rezervoarja za vodo.
11. Ne blokirate dovodov in odprtih za dovod zraka.
12. Enote ne prekrivajte z opranimi oblačili.

Pred dolgotrajnim neprekinjenim delovanjem je potrebno občasno preverjanje filtra, čistega zraka, odtočne cevi ali podobnega.

Opis proizvoda: CR7851 Odvlaživač zraka

- | | |
|-------------------------------------|--------------------------------|
| 1. Upravljačka ploča | 2. Ulaz zraka |
| 3. Spremnik za vodu 2,2L | 4. Izlaz za zrak |
| 5. Ručka | 6. Floater |
| 7. Odvodno crijevo | 8. Mrežasti zračni filter |
| 9. Kućište filtra | 10. Svjetlo indikatora vlage |
| 11. Gumeni čep za funkciju odvodnje | 12. Filter s aktivnim ugljenom |

Upravljačka ploča

- | | |
|--|---|
| A. Gumb za uključivanje | B. Gumb za način rada |
| B1. Pokazatelj uobičajenog načina odvlaživanja | B2. Indikator kontinuiranog odvlaživanja |
| B3. Pokazatelj jakog odvlaživanja zraka | B4. Pokazatelj načina sušenja odjeće |
| C. Tipka za odbrojavanje 0-24 sata | C1. Pokazatelj vremenske jedinice |
| D. Dodatni gumb / indikator načina rada ventilatora | E. Tipka / indikator brave za zaštitu djece |
| F. Tipka za brzinu ventilatora | F1. Pokazatelj male brzine ventilatora |
| F2. Pokazatelj velike brzine ventilatora | G. Gumb / indikator načina mirovanja |
| H. Tipka za podešavanje vlažnosti zraka 30-80% relativne vlažnosti | H1. Pokazatelj jedinice vlažnosti |
| J. Pokazatelj načina odmrazavanja | K. Pokazatelj punog spremnika za vodu |
| L. Digitalni prikaz vlage i mjerač vremena | |

Učinkovitost

1. Uređaj automatski vrši odmrzavanje u redovitim intervalima u skladu s sobnom temperaturom.

a) Ako je sobna temperatura jednaka ili veća od 24 ° C, odmrzavanje se zaustavlja.

b) Ako je sobna temperatura 18 ° C -24 ° C, odmrzavanje se uključuje na 5 minuta nakon svakih 120 minuta odvlaživanja.

c) Ako je sobna temperatura 12 ° C -18 ° C, odmrzavanje se uključuje 5 minuta nakon svakih 25 minuta odvlaživanja.

d) Ako je sobna temperatura 5 ° C -12 ° C, odmrzavanje se uključuje 5 minuta nakon svakih 20 minuta odvlaživanja.

2. Tijekom postupka odmrzavanja, funkcija odvlaživanja može se prekinuti.

3. Molimo nemojte isključiti prekidač ili izvući utikač za odvlaživanje tijekom postupka odmrzavanja.

4. Ovaj odvlaživač ne može se primijeniti za održavanje ekstremno niskih temperatura. Funkcija ovog odvlaživača zraka je ispušavanje neugodne, visoke vlage.

Kapacitet odvlaživanja

1. Ovaj odvlaživač nema funkciju hlađenja. Proizvest će toplinu tijekom rada i povećati sobnu temperaturu za 1-4 ° C.

2. Dnevni kapacitet odvlaživanja odvlaživača ovisi o sobnoj temperaturi i relativnoj vlažnosti. Pri različitim temperaturama i relativnoj vlažnosti zraka može imati različitu sposobnost odvlaživanja.

3. U istoj sobnoj temperaturi, sposobnost odvlaživanja veća je u višoj relativnoj vlažnosti, a sposobnost odvlaživanja manja je u nižoj relativnoj vlažnosti. U istoj relativnoj vlažnosti, sposobnost odvlaživanja veća je pri višim temperaturama, a sposobnost odvlaživanja manja je pri nižoj temperaturi.

4. Ako se odvlaživač stavi u ormar, njegov se kapacitet odvlaživanja može jako smanjiti u kratkom razdoblju nakon rada, jer je vlaga u ormariću jako smanjena.

5. Za 5 ° C / 10 ° C / 15 ° C / 20 ° C / 25 ° C / 30 ° C sobne temperature i 80% relativne vlažnosti, kapacitet odvlaživanja iznosi oko 2/4/6/8/10 litre vode kad je otvor za zrak potpuno otvoren.

Lučka za vlagu (10)

Med delovanjem lučka za prikaz vlažnosti prikazuje trenutno stopnju vlažnosti v prostoru:

- Modra barva pomeni nizko vlažnost pod 50% relativne vlažnosti

- Zelena barva pomeni srednjo vlažnost v območju 51% - 69% relativne vlažnosti

- Rdeča barva pomeni visoko vlažnost nad 70% relativne vlažnosti

Upoštevajte, da ima vrednost relativne vlažnosti 3% odstopanja, ko zasveti ustrezno indikacijsko lučko.

Operacija

1. Postavite jedinicu stroja uspravno kako biste izbjegli pogrešno rukovanje i neobičan zvuk. Držite udaljenost između ostalih predmeta kao što je prikazano na slici 1. Priključite uređaj.

2. Prekidač za napajanje (A) na upravljačkoj ploči (1) treba pritisnuti da biste uključili uređaj. Digitalni zaslon (L) prikazat će trenutnu razinu vlažnosti u sobi.

3. Ponovno pritisnite gumb Mode (B) za odabir željenog načina rada između:

B1. Uobičajeni način odvlaživanja

Kad odaberete ovaj način rada, zasvijetlit će indikator B1.

B2. Način kontinuiranog odvlaživanja

Kada odaberete ovaj način rada, zasvijetlit će indikator B2.

B3. Način snažnog odvlaživanja

Kad odaberete ovaj način rada, zasvijetlit će indikator B3.

B4. Način sušenja odjeće

Kad odaberete ovaj način rada, zasvijetlit će indikator B4.

4. Ponovno pritisnite gumb za podešavanje vlažnosti (H) da biste postavili željenu vlažnost u sobi između 30-80% s 5% faktora podešavanja. Postavka vlažnosti vrijedi samo u uobičajenom načinu odvlaživanja (B1). Nakon postavljanja potrebne vlažnosti u sobi, digitalni zaslon (L) treptat će kako bi ga zapamtio i uređaj počeo raditi. Sljedeće na digitalnom zaslonu (L) prikazuje se prisutna vlažnost u sobi. Potrebno je postaviti potrebnu vlažnost u sobi na nižu razinu od trenutne vlažnosti u sobi, inače uređaj neće započeti odvlaživanje.

Kada je relativna vlažnost u sobi jednaka razini relativne vlažnosti zraka prethodno postavljenoj na zaslonu, uređaj će automatski isključiti kompresor, odvlaživač će se zaustaviti, raditi će samo ventilator.

5. Gumb časovnika (C) deluje z dvema funkcijama:

Funkcija DELAY START

Časovnik lahko nastavite, ko je naprava v stanju izklopa. Pritisnite gumb časovnika (C): indikator "Hr" (C1) na LED prikazovalniku zasveti in na digitalnem zaslonu (L) se prikaže "00"; v 5 sekundah pritisnite gumb časovnika (C), da izberete zeleni čas, ko se mora naprava vklopiti. Ko je časovnik nastavljen, se čas prikaže 5 sekund, zasveti indikator "Hr" (C1). Naprava se bo samodejno vklopila po preteku časa nastavitve.

Nastavitev funkcije IZKLOPA časovnika - DELAY STOP

Funkcijo izklopa časovnika lahko nastavite, ko je naprava v stanju vklopa. Pritisnite gumb časovnika (C): indikator "Hr" (C1) na LED prikazovalniku zasveti in na digitalnem zaslonu (L) se prikaže "00"; v 5 sekundah pritisnite gumb časovnika (C), da izberete zeleni čas za izklop naprave. Ko je časovnik nastavljen, se čas prikaže 5 sekund in zasveti indikator "Hr" (C1). Naprava se bo samodejno izklopila po preteku časa nastavitve.

Razpon časovnika je od 1 do 24 ur z enournim intervalom.

6. Dodatni gumb za način ventilatorja (D) je treba poleg delovanja ventilatorja pritisniti na aktivno ali reaktivno kroženje zraka. Ko je ta način ventilatorja vklopljen za dodatno kroženje zraka, se način razvlaževanja izklopi.

7. Pritisnite gumb za zaklepanje za otroke (E) in ga pridržite 3 sekunde, da zaslišite zvok, ki potrjuje vstop gumbov v stanje zaklepanja.

Trenutno je pritisek katerega koli gumba neveljaven. V tem trenutku zasveti tudi gumb za zaklepanje otrok. Če želite izklopiti zaslon z gumbi, znova pritisnite gumb za zaklepanje otrok (E) in ga pridržite 3 sekunde, da zaslišite zvok, ki potrjuje preklic stanja zaklepanja gumbov.

8. Gumb za hitrost ventilatorja (F) lahko upravljate, ko napravo preklopite v način ventilatorja (D) ali običajni način razvlaževanja (B1).

Pritisnite gumb za hitrost ventilatorja (F), da izberete med nizko ali visoko hitrostjo. Zasvetil bo ustrezen indikator (F1 ali F2).

9. Pritisnite tipko mirovanja (G), da izklopite vse druge indikatorske lučke, razen načina mirovanja. Pritisnite kateri koli gumb, da si ogledate prejšnjo nastavitveno funkcijo na nadzorni plošči. Po 5 sekundah se delovanje spanja nadaljuje. Če želite preklicati način spanja, znova pritisnite gumb za spanje (G).

10. Znova pritisnite stikalo za vklop (A), da izklopite napravo, naprava enote preneha delovati.

Servis rezervoarja za vodo

1. Če je rezervoar za vodo (3) poln ali rezervoar za vodo (3) ni nameščen v pravilnem položaju, na kontrolni plošči (1) zasveti indikator polnega rezervoarja za vodo (K). Naprava bo ponavljala zvoke alarma, lučka indikatorja vlage (10) začne utripati v rdeči barvi.

2. Ko utripa indikatorska lučka polnega rezervoarja za vodo (K), se kompresor, nameščen v napravi, ustavi, tako da ne kondenzira vodo, dokler rezervoar za vodo ni prazen ali nastavljen v pravilnem položaju, vendar ventilator še naprej deluje.

3. Za odstranitev rezervoarja za vodo (3) držite stranice rezervoarja za vodo in ga izvlecite. Plovec (6) ne demontirajte iz rezervoarja za vodo (3). Poglejte sliko 3.

4. Če želite izprazniti rezervoar za vodo (3), ga nagnite, kot je prikazano na sliki 5, in počasi izpraznite vodo. Nato ponovno namestite rezervoar za vodo (3) v razvlaževalnik zraka.

Neprekinjena drenažna funkcija

1. Če morate zrak dlje časa razvlaževati, lahko uporabite funkcijo neprekinjenega odvajanja.

2. Izvlecite gumijasti čep (11), nato vstavite pritrjeno cev za neprekinjen odtok (7), kot je na sliki 2.

3. Po končanem neprekinjenem praznjenju znova namestite gumijasti čep (11) in napravo izklopite.

Neprekinjena odtočna cev: dolžina: 30 cm, notranji premer: 17 mm, zunanji premer: 19 mm.

Čiščenje in vzdrževanje

1. Izklopite enoto in odklopite napajalni vtič, preden začnete s čiščenjem ali drugim rednim vzdrževanjem.

2. Da ne bi prišlo do električnega udara, med čiščenjem nikoli ne poškropite ali razlivate vode.

3. Pred premikanjem naprave izklopite in izpraznite vodo iz rezervoarja za vodo. Med premikanjem ne pozabite držati ročaja.

4. Ohišje o obrišite z mokro krpo.

5. Ne razstavljajte plovcva (6) iz rezervoarja za vodo (3).

6. Pred načrtovanim neprekinjenim dolgotrajnim obratovanjem je treba redno preverjati zlasti zračni filter (8), filter z aktivnim ogljem (12) in odtočno cev (7) ali podobno.

7. Za čiščenje ali zamenjavo filtrov:

- odklopite vtič in odstranite rezervoar za vodo (3),

- odstranite ohišje filtra (9), kot je prikazano na sliki 4,

- odstranite mrežasti filter (8) iz ohišja in nežno odstranite filter z aktivnim ogljem (12)

- vsaka dva tedna očistite oba filtra s sesalnikom. Učinkovitost razvlaževanja se lahko zmanjša, če so filtri zamašeni z ostanke.

- vstavite filtre v ohišje filtra (9) in jih vstavite v ohišje naprave.

8. Naprave ne čistite z bencinom, razredčilom ali tekočim detergentom.

TEHNIČNI PODATKI:

Dehumidify zmogljivost pri 30 ° C / 80% RH): 10 litrov / 24 ur

Dehumidify zmogljivost pri 27 ° C / 60% RH): 5 litrov / 24 ur

Raven hrupa: <= 45dB

Prostornina rezervoarja za vodo: 2,2 litra

Pretok zraka: 120 m³ / uro

Teža hladilne tekočine R290: maks. 35 gramov

Nazivna vhodna moč: 200W

Maks. Nazivna vhodna moč: 245W

Napajanje: 220-240V ~ 50Hz



Pozor, nevarnost požara

NE prebijajte in ne gorjite.

Bodite pozorni, da hladilno sredstvo morda ne vsebuje vonja.

Najvišja količina hladilnega sredstva: 35 g.



Starostlivost o životne prostredje. Kartónový obal odovzdajte do zberných surovín. Polyetylénové vrecká (PE) vyhodte do kontajnera na plast.

Opatrebný spotřebič odovzdajte na príslušný zberný dvor, nebezpečné látky spotřebiča môžu predstavovať riziko pre životné prostredie.

Elektrosportřebič odstráňte tak, aby nedochádzalo j jeho ďalšiemu použitiu. Ak sa v spotřebiči nachádzajú batérie, vyberte ich a odovzdajte ich na zberné miesto osobitne. Spotřebič nevyhadzujte do kontajnera na komunálny odpad!

OBEČNÉ BEZPEČNOSTNÍ PODMÍNKY

DŮLEŽITÉ BEZPEČNOSTNÍ POKYNY PŘEČTĚTE SI opatrně a uložte je pro budoucnost

1. Před použitím zařízení si přečtěte návod k obsluze a postupujte podle pokynů v něm obsažených. Výrobce neodpovídá za škody způsobené používáním zařízení v rozporu s jeho určeným účelem nebo nesprávným provozem.
2. Zařízení je určeno pouze pro domácí použití. Nepoužívejte k jiným účelům, než k zamýšlenému účelu.
3. Zařízení by mělo být připojeno pouze k síťové zásuvce s uzemněným 220 240V ~50Hz. Pro zvýšení provozní bezpečnosti by nemělo být současně připojeno více elektrických zařízení na jeden proudový obvod.
4. Při používání zařízení v blízkosti dětí buďte velmi opatrní. Nedovolte dětem, aby si se zařízením hrály, nedovolte dětem nebo osobám neznámým se zařízením, aby jej používaly.
5. **VAROVÁNÍ:** Toto zařízení mohou používat děti starší 8 let a lidé s omezenými fyzickými, smyslovými nebo mentálními schopnostmi nebo lidé, kteří nemají žádné zkušenosti nebo znalosti o vybavení, pokud se tak děje pod dohledem odpovědné osoby. z důvodu jejich bezpečnosti nebo jim byly poskytnuty informace o bezpečném používání zařízení a jsou si vědomy nebezpečí jeho používání. Děti by si s tímto zařízením neměly hrát. Čištění a údržbu zařízení by neměly provádět děti, pokud nejsou starší 8 let a tyto činnosti jsou prováděny pod dohledem.
6. Po použití vždy odpojte napájecí zástrčku tak, že budete držet zásuvku rukou. **NEDOTÝKEJTE** se napájecího kabelu.
7. Kabel, zástrčku a celé zařízení neponořujte do vody ani jiné kapaliny. Nevystavujte zařízení povětrnostním vlivům (déšť, slunce atd.) Ani je nepoužívejte v podmínkách vysoké vlhkosti (koupelny, vlhké mobilní domy).
8. Pravidelně kontrolujte stav napájecího kabelu. Pokud je napájecí kabel poškozen, měl by být vyměněn v odborném servisu, aby nedošlo k nebezpečí.
9. Nepoužívejte spotřebič s poškozeným napájecím kabelem nebo pokud spadl nebo je poškozen jiným způsobem nebo pokud nefunguje správně. Neopravujte zařízení sami, mohlo by dojít k úrazu elektrickým proudem. Poškozené zařízení odnešte do příslušného servisního střediska ke kontrole nebo opravě. Veškeré opravy smí provádět pouze autorizovaný servis. Nesprávně provedené opravy mohou pro uživatele představovat vážné nebezpečí.
10. Umístěte zařízení na chladný, stabilní povrch, mimo horké kuchyňské spotřebiče, jako jsou: elektrický sporák, plynový hořák atd.
11. Ujistěte se, že nic neblokuje přívod a odvod vzduchu ze zařízení
12. Používejte zařízení pouze na rovném povrchu, aby se zabránilo úniku kondenzátu
13. Pro zajištění dodatečné ochrany je vhodné do elektrického obvodu nainstalovat zařízení na proudový chránič (RCD) s jmenovitým zbytkovým proudem nepřesahujícím 30 mA. Požádejte o to elektrikáře.
14. Pravidelně čistěte vzduchový filtr. Četnost čištění závisí na čistotě vzduchu.
15. Po vypnutí zařízení vyčkejte alespoň 5 minut, než jej znovu zapnete.
16. Za účinnovito razvlaževanje je treba med stranskimi stenami naprav in stisnjenim

pohištvom ali zavesami uporabiti najmanj 20 cm reže.

17. Sušilnika ne razpršite, da preprečite nevarnost požara ali eksplozije

18. Za uporabo delov ohišja ne odlagajte vlažilcev v bližini grelnih naprav.

19. Odstranite vodo, zbrano v rezervoarju. Nenamerno pitje vode ali uporaba z drugimi ljudmi lahko povzroči bolezen.

20. Ne podpira naprav z odstranjenim zadnjim pokrovom zaradi premikajočih in vročih delov.

21. Za odtajevanje ali obratovanje ne uporabljajte drugih sredstev, razen tistih, ki jih priporoča proizvajalec.

22. Naprava mora biti na voljo kot del stalnega seznama virov vžiga, tj brez odprtega plamena, brez delujoče plinske naprave ali brez delujočega grelnika naprave.

23. Ne prebijajte in ne kadite.

24. Upoštevajte, da proizvajalci hladilnikov morda ne vsebujejo dišav.

Pred prvo uporabo:

1. Razvlaževalnik zraka je treba uporabljati na ravni in stabilni površini, vzdrževati razdalje med enoto in drugimi predmeti v skladu s sliko 1, da zagotovite primerno učinkovitost. Zaprite vsa okna in vrata sobe, ki jo želite razvlažiti.
2. Za preprečitev zmrzovanja vode ne uporabljajte razvlaževalnika in odtočne cevi pri sobni temperaturi pod 0 ° C
3. Ne uporabljajte vlažilnika zunaj. Izpostavljenost neposredni sončni svetlobi ali dežju lahko povzroči pregrevanje, električni udar in požar.
4. Ne postavljajte rezervoarja za vodo na razvlaževalnik, da ne bi prišlo do razlitja vode v enoto znotraj in poslabša izolacijo.
5. Nikoli ne poskušajte uporabljati razvlaževalnika zraka za posebne namene, kot je razvlaževanje hrane ali ohranjanje umetniških predmetov ali podobno.
6. Ne uporabljajte razvlaževalnika zraka, kjer lahko pride do uhajanja olja ali vnetljivega plina. Ne uporabljajte enote na mestih, ki so izpostavljene kemikalijam.
7. Za stalno izpraznitev poskrbite, da je odtočna cev pravilno nastavljena z naklonom.
8. Pazite, da grelna naprava ne bo izpostavljena vetru iz razvlaževalnika.
9. Ne uporabljajte razvlaževalnika zraka kot stola ali stopala.
10. Ne odstranjujte ročice s plovcem iz rezervoarja za vodo.
11. Ne blokirajte dovodov in odprtín za dovod zraka.
12. Enote ne prekrivajte z opranimi oblačili.

Pred dolgotrajnim neprekinjenim delovanjem je potrebno občasno preverjanje filtra, čistega zraka, odtočne cevi ali podobnega.

Popis produktu: Odvlhčovač vzduchu Cr7851

- | | |
|---|----------------------------|
| 1. Ovládací panel | 2. Vstup vzduchu |
| 3. Nádrž na vodu 2,2L | 4. Výstup vzduchu |
| 5. Rukojeť | 6. Plovák |
| 7. Vypouštěcí hadice | 8. Síťový vzduchový filtr |
| 9. Pouzdro filtru | 10. Kontrolka vlhkosti |
| 11. Gumová zátka pro odvodňovací funkci | 12. Filtr s aktivním uhlím |

Kontrolní panel

- | | |
|--|--|
| A. Tlačítko napájení | B. Tlačítko režimu |
| B1. Běžný indikátor režimu odvlhčování | B2. Indikátor režimu nepřetržitého odvlhčování |
| B3. Indikátor režimu silného odvlhčování | B4. Indikátor režimu sušení prádla |
| C. Tlačítko časovače 0-24 hodin | C1. Indikátor časové jednotky |
| D. Tlačítko / indikátor přídavného režimu ventilátoru | E. Tlačítko / indikátor dětského zámku |
| F. Tlačítko rychlosti ventilátoru | F1. Ukazatel nízké rychlosti ventilátoru |
| F2. Indikátor vysoké rychlosti ventilátoru | G. Tlačítko / indikátor režimu spánku |
| H. Tlačítko nastavení vlhkosti 30-80% relativní vlhkosti | H1. Indikátor jednotky vlhkosti |
| J. Indikátor režimu rozmrazování | K. Indikátor plné nádrže na vodu |
| L. Digitální zobrazení vlhkosti a časovače | |

Účinnost

1. Spotřebič automaticky provádí odmrazování v pravidelných intervalech podle teploty v místnosti.
- a) Pokud je pokojová teplota stejná nebo vyšší než 24 ° C, odmrazování se zastaví.
- b) Pokud je pokojová teplota 18 ° C - 24 ° C, odmrazování se zapne na 5 minut po každých 120 minutách odvlhčování.
- c) Pokud je pokojová teplota 12 ° C - 18 ° C, odmrazování se zapne na 5 minut po každých 25 minutách odvlhčování.
- d) Pokud je pokojová teplota 5 ° C - 12 ° C, odmrazování se zapne na 5 minut po každých 20 minutách odvlhčování.

2. Během odmrzování může být funkce odvlhčování přerušena.
3. Během odmrzování nevytáhněte vypínač ani nevytahujte zástrčku odvlhčovače.
4. Tento odvlhčovač nelze použít k udržení extrémně nízké teploty. Funkci tohoto odvlhčovače je odčerpát nepříjemnou vysokou vlhkost.

Odvlhčovací kapacita

1. Tento odvlhčovač nemá funkci chlazení. Během provozu bude produkovat teplo a zvýší teplotu v místnosti o 1-4 ° C.
2. Denní odvlhčovací kapacita odvlhčovače závisí na pokojové teplotě a relativní vlhkosti. Při různých teplotách a relativní vlhkosti může mít různou odvlhčovací kapacitu.
3. Při stejné pokojové teplotě je odvlhčovací kapacita vyšší při vyšší relativní vlhkosti vzduchu a odvlhčovací kapacita je nižší při nižší relativní vlhkosti vzduchu. Při stejné relativní vlhkosti je odvlhčovací kapacita vyšší při vyšší teplotě a odvlhčovací kapacita nižší při nižší teplotě.
4. Pokud je odvlhčovač umístěn ve skříni, může se její odvlhčovací kapacita během krátké doby po provozu velmi snížit kvůli vysoké redukci vlhkosti ve skříni.
5. Pro 5 ° C / 10 ° C / 15 ° C / 20 ° C / 25 ° C / 30 ° C pokojové teploty a 80% relativní vlhkosti je odvlhčovací kapacita přibližně 2/4/6/8/10 litry vody, když je výstup vzduchu zcela otevřený.

Kontrolka vlhkosti (10)

Během provozu indikátor vlhkosti zobrazuje aktuální úroveň vlhkosti v místnosti:

- Modrá barva znamená nízkou vlhkost pod 50% relativní vlhkosti
- Zelená barva znamená střední vlhkost v rozmezí 51% - 69% relativní vlhkosti
- Červená barva znamená vysokou vlhkost nad 70% relativní vlhkosti

Pamatujte, že hodnota relativní vlhkosti má 3% toleranci, když se rozsvítí odpovídající indikační světlo.

Úkon

1. Umístěte jednotku stroje do svislé polohy, aby nedošlo k nesprávné funkci a neobvyklému zvuku. Dodržujte vzdálenosti mezi ostatními objekty, jak je znázorněno na obrázku 1. Připojte zařízení.
2. Zapněte zařízení stisknutím vypínače (A) na ovládacím panelu (1). Digitální displej (L) zobrazuje aktuální úroveň vlhkosti v místnosti.
3. Tlačítko režimu (B) by mělo být znovu stisknuto pro výběr požadovaného provozního režimu mezi:

B1. Obvyčejný režim odvlhčování

Když zvolíte tento režim, rozsvítí se indikátor B1.

B2. Režim nepřetržitého odvlhčování

Když zvolíte tento režim, rozsvítí se indikátor B2.

B3. Silný režim odvlhčování

Když zvolíte tento režim, rozsvítí se indikátor B3.

B4. Režim sušení prádla

Když zvolíte tento režim, rozsvítí se indikátor B4.

4. Tlačítko nastavení vlhkosti (H) by mělo být znovu stisknuto pro nastavení požadované vlhkosti v místnosti mezi 30-80% s 5% faktorem nastavení. Nastavení vlhkosti je platné pouze v běžném režimu odvlhčování (B1). Po nastavení požadované vlhkosti v místnosti bude digitální displej (L) blikat, aby si to pamatoval, a zařízení začne fungovat. Dále se na digitálním displeji (L) zobrazí aktuální vlhkost v místnosti. Je nutné nastavit požadovanou vlhkost v místnosti na nižší úroveň, než je aktuální vlhkost v místnosti, jinak zařízení nespustí odvlhčování. Když se relativní vlhkost v místnosti rovná úrovni relativní vlhkosti nastavené dříve na displeji, zařízení automaticky vypne kompresor, odvlhčovač se zastaví, bude fungovat pouze ventilátor.

5. Tlačítko časovače (C) ovládá dvě funkce:

Funkce ODLOŽENÝ START

Časovač lze nastavit, když je zařízení ve vypnutém stavu. Stiskněte tlačítko časovače (C): Indikátor „Hr“ (C1) na LED displeji se rozsvítí a na digitálním displeji (L) se objeví „00“; do 5 sekund byste měli stisknutím tlačítka časovače (C) vybrat požadovaný čas, kdy se zařízení musí zapnout. Po nastavení časovače se na 5 sekund zobrazí čas, rozsvítí se indikátor „Hr“ (C1). Po uplynutí nastaveného času se zařízení automaticky zapne.

Nastavení funkce vypnutí časovače - ZPOŽDĚNÍ STOP

Funkci časovače vypnutí lze nastavit, když je zařízení ve stavu zapnutí. Stiskněte tlačítko časovače (C): na LED displeji se rozsvítí indikátor „Hr“ (C1) a na digitálním displeji (L) se zobrazí „00“; do 5 sekund byste měli stisknout tlačítko časovače (C) a vybrat požadovaný čas pro vypnutí zařízení. Po nastavení časovače se na 5 sekund zobrazí čas a rozsvítí se indikátor „Hr“ (C1). Po uplynutí nastaveného času se zařízení automaticky vypne.

Rozsah časovače je od 1 do 24 hodin s 1hodinovým intervalem.

6. Vedle provozu ventilátoru je třeba stisknout další tlačítko režimu ventilátoru (D) pro aktivní nebo reaktivní cirkulaci vzduchu. Když je tento režim ventilátoru zapnutý pro další cirkulaci vzduchu, režim odvlhčování se vypne.

7. Tlačítko dětské pojistky (E) by mělo být stisknuto a podrženo po dobu 3 sekund, aby bylo slyšet zvuk potvrzující vstup do stavu zámku tlačítek, v tuto chvíli je stisknutí libovolného tlačítka neplatné. V tomto okamžiku se rozsvítí také tlačítko dětské pojistky. Chcete-li vypnout zámek tlačítek, stiskněte znovu tlačítko dětské pojistky (E) a podržte jej po dobu 3 sekund, abyste slyšeli zvuk potvrzující zrušení stavu zámku tlačítek.

8. Tlačítko rychlosti ventilátoru (F) lze stisknout, když je zařízení přepnuto do režimu ventilátoru (D) nebo do běžného režimu odvlhčování (B1). Stisknutím tlačítka rychlosti ventilátoru (F) můžete zvolit nízkou nebo vysokou rychlost. Vhodný indikátor se rozsvítí (F1 nebo F2).

9. Stisknutím tlačítka režimu spánku (G) vypnete všechny ostatní kontroly kromě režimu spánku. Stisknutím libovolného tlačítka zobrazíte

dřívější funkce nastavení na ovládacím panelu. Po 5 sekundách bude režim spánku pokračovat. Chcete-li režim spánku zrušit, stiskněte znovu tlačítko režimu spánku (G).

10. Opětovným stisknutím vypínače (A) zařízení vypnete, stroj jednotky přestane běžet.

Servis vodní nádrže

1. Pokud je nádrž na vodu (3) plná nebo nádrž na vodu (3) není nainstalována ve správné poloze, rozsvítí se na ovládacím panelu (1) indikátor plné nádrže na vodu (K). Zařízení bude vydávat opakované zvuky alarmu, indikátor vlhkosti (10) začne červeně blikat.
2. Když bliká kontrolka plné nádrže na vodu (K), kompresor instalovaný uvnitř stroje se zastaví, aby nekondenzoval vodu, dokud nebude nádrž na vodu prázdná nebo nastavena do správné polohy, ale ventilátor běží dále.
3. Chcete-li nádrž na vodu (3) vyjmout, přidržte ji a vytáhněte. Nerozebírejte plovák (6) z nádrže na vodu (3). Podívejte se na obrázek 3.
4. Chcete-li vyprázdnit nádržku na vodu (3), nakloňte ji, jak je znázorněno na obrázku 5, a pomalu vypouštějte vodu. Poté znovu vložte nádržku na vodu (3) do odvlhčovače.

Funkce nepřetržitého odtoku

1. Pokud potřebujete dlouhodobě odvlhčovat vzduch, můžete použít funkci nepřetržitého odtoku.
 2. Vytáhněte gumovou zátku (11) a poté připojte připojenou nepřetržitou vypouštěcí hadici (7) podle obrázku 2.
 3. Po ukončení nepřetržitého vypouštění nasadte gumovou zátku (11) a vypněte zařízení.
- Průběžná vypouštěcí hadice: délka: 30 cm, vnitřní průměr: 17 mm, vnější průměr: 19 mm.

Čištění a údržba

1. Před zahájením čištění nebo jiné běžné údržby vypněte jednotku a odpojte napájecí kabel.
2. Abyste předešli riziku úrazu elektrickým proudem, nikdy při čištění nepropouštějte a nevylijte vodu na odvlhčovač.
3. Před přemístěním zařízení vypněte a vypusťte vodu z nádrže na vodu. Při pohybu držte rukojed.
4. Kryt přístroje otřete vlhkým hadříkem.
5. Nedemontujte plovák (6) z nádrže na vodu (3).
6. Před plánovaným dlouhodobým nepřetržitým provozem je nutná pravidelná kontrola, zejména u síťového vzduchového filtru (8), filtru s aktivním uhlím (12) a odtokové hadice (7) apod.
7. Čištění nebo výměna filtrů:
 - odpojte zástrčku a vyjměte nádržku na vodu (3),
 - demontujte těleso filtru (9), jak je znázorněno na obrázku 4,
 - vyjměte síťový filtr (8) z krytu a opatrně vyjměte filtr s aktivním uhlím (12)
 - vyčistěte oba filtry každé dva týdny vysavačem. Výkon odvlhčování se může snížit, když jsou filtry ucpané nečistotami.
 - vložte filtry dovnitř krytu filtru (9) a vložte je do krytu přístroje.
8. Nečistěte zařízení benzínem, ředidlem nebo tekutým čisticím prostředkem.

TECHNICKÁ DATA:

Odvlhčovací kapacita při 30 ° C / 80% RH): 10 litrů / 24 hodin

Odvlhčovací kapacita při 27 ° C / 60% RH): 5 litrů / 24 hodin

Úroveň hluku: <= 45 dB

Objem vodní nádrže: 2,2 litru

Průtok vzduchu: 120 m³ / hod

Hmotnost chladicí kapaliny R290: max. 35 gramů

Ratovaný vstupní výkon: 200 W.

Max. Ratovaný vstupní výkon: 245 W

Napájení: 220-240 V ~ 50 Hz



Pozor, nebezpečí požáru.

NEPROPOUŠTĚTE ani nespalujte.

Uvědomte si, že chladivo nemusí obsahovat zápach.

Maximální množství náplně chladiva: 35 g.



Staráme se o životní prostředí. Papírové obaly odevzdávejte do sběrných surovin. Polyetylenová balení (PE) vhadzujte do odpadkových košů na plasty. Použité zařízení odevzdávejte do sběrného dvoru, protože se v něm mohou nacházet části, které jsou pro životní prostředí škodlivé nebo nebezpečné. Elektrosmotřebiče odevzdávejte v takové podobě, aby bylo nemožné jejich další použití. Pokud se v zařízení nacházejí baterie, vyjměte je a odevzdejte zvlášť.

DANSKI

GENERELLE SIKKERHEDSBETINGELSER

VIGTIGE SIKKERHEDSINSTRUKTIONER LÆS PERSONLIG OG SPAR FOR FREMTID

1. Før du bruger enheden, skal du læse betjeningsvejledningen og følge instruktionerne i den. Producenten er ikke ansvarlig for skader forårsaget af brug af enheden i modsætning til dets tilsigtede formål eller forkert betjening.
2. Enheden er kun til hjemmebrug. Brug ikke til andre formål, der ikke er beregnet til dets

tilsigtede formål.

3. Enheden skal kun tilsluttes en stikkontakt med et jordet 220 240V ~ 50Hz. For at øge driftssikkerheden skal flere elektriske enheder ikke tilsluttes et strømkredsløb på samme tid.
4. Vær meget forsigtig, når du bruger enheden, når børn er i nærheden. Lad ikke børn lege med enheden, lad ikke børn eller personer, der ikke kender enheden, bruge den.
5. ADVARSEL: Dette udstyr kan bruges af børn over 8 år og personer med begrænset fysisk, sensorisk eller mental evne, eller personer, der ikke har erfaring eller viden om udstyret, hvis dette sker under opsyn af en ansvarlig person for deres sikkerhed eller har fået dem oplysninger om sikker brug af enheden og er opmærksomme på farerne ved at bruge det. Børn bør ikke lege med udstyret. Rengøring og vedligeholdelse af enheden bør ikke udføres af børn, medmindre de er over 8 år gamle, og disse aktiviteter udføres under opsyn.
6. Frakobl altid strømstikket ved at holde stikket med hånden efter brug. Træk IKKE i netledningen.
7. Sænk ikke kablet, stikket og hele enheden i vand eller anden væske. Udsæt ikke enheden for atmosfæriske forhold (regn, sol osv.) Eller brug under forhold med høj luftfugtighed (badeværelser, fugtige mobilhomes).
8. Kontroller periodisk strømkablets tilstand. Hvis strømkablet er beskadiget, skal det udskiftes af et specialværksted for at undgå fare.
9. Brug ikke apparatet med et beskadiget strømkabel, eller hvis det er faldet eller beskadiget på anden måde, eller hvis det ikke fungerer korrekt. Reparer ikke enheden selv, da der er risiko for elektrisk stød. Tag den beskadigede enhed til et passende servicecenter for kontrol eller reparation. Alle reparationer må kun udføres af autoriserede servicepunkter. Forkert udførte reparationer kan medføre alvorlig fare for brugeren.
10. Placer enheden på en kølig, stabil overflade væk fra varme køkkenapparater som: elektrisk komfur, gasbrænder osv.
11. Sørg for, at intet blokerer enhedens luftindtag og udløb
12. Brug kun enheden på en plan overflade for at forhindre, at kondensen spilder ud
13. For at yde yderligere beskyttelse tilrådes det at installere en reststrømsenhed (RCD) i det elektriske kredsløb med en nominel reststrøm på ikke over 30 mA. Spørg en elektriker til dette.
14. Rengør luffilteret regelmæssigt. Rengøringshyppigheden afhænger af luftens renhed.
15. Efter at have slukket for maskinen, skal du vente mindst 5 minutter, før du tænder den igen.
16. For effektiv affugtning skal der bruges et mellemrum på mindst 20 cm mellem apparatets sidevægge og de komprimerede møbler eller gardiner.
17. Sprøjt ikke tørretumbleren for at undgå risikoen for brand eller eksplosion
18. Anbring ikke affugteren i nærheden af varmeenheder for at bruge husdelene.
19. Fjern det opsamlede vand i tanken. Uheld ved at drikke vand eller bruge det sammen med andre mennesker kan forårsage sygdom.
20. Understøtter ikke enheder med bagcoveret fjernet på grund af bevægelige og varme dele.
21. Brug ikke andre midler til at udføre optøjnings- eller driftsprocessen bortset fra dem, der

er anbefalet af producenten.

22. Enheden skal være tilgængelig som en del af en permanent liste over antændelseskilder, dvs. uden åben ild, uden en arbejdsgasanordning eller uden en arbejdsenhedsvarmer.

23. Må ikke gennembore eller ryge.

24. Bemærk, at køleproducenter muligvis ikke indeholder duft.

Før første brug:

1. Affugteren skal bruges på en jævn og stabil overflade, hold afstand mellem enhed og andre genstande i henhold til billede 1 for at sikre passende effektivitet. Luk alle vinduer og døre i det rum, du vil affugte luften.
 2. Brug ikke affugter og dræningsslange ved omgivelsestemperatur under 0 ° C for at forhindre, at vandet fryser.
 3. Brug ikke affugter udenfor. Udsættelse for direkte sollys eller regn kan resultere i overophedning, elektrisk stød og brand.
 4. Læg ikke vandbeholderen på affugteren for at undgå spild af vand ind i enheden inde og forringe isoleringen.
 5. Forsøg aldrig at bruge affugteren til speciel anvendelse, såsom affugtning til fødevarer eller konservering af kunstgenstande eller lignende.
 6. Brug ikke affugter, hvor der kan finde lækage af olie eller brandfarlig gas. Brug ikke enheden på steder, der er udsat for kemikalier.
 7. For kontinuerlig dræning skal du sørge for, at drænslangen er indstillet korrekt med. hældning.
 8. Vær forsigtig, så et varmeapparat ikke udsættes for vinden fra affugteren.
 9. Brug ikke affugteren som en stol eller en fodskammel.
 10. Fjern ikke svævehåndtaget fra vandbeholderen.
 11. Bloker ikke luftindtag og luftudtag.
 12. Dæk ikke enheden med vasketøj.
- Før kontinuerlig drift i lang varighed kræves periodisk kontrol specielt for luftrensfilteret, drænslangen eller lignende.

Produktbeskrivelse: CR7851 Luftaffugter

- | | |
|------------------------------------|------------------------|
| 1. Kontrolpanel | 2. Luftindtag |
| 3. Vandtank 2,2L | 4. Luftudtag |
| 5. Håndtag | 6. Flyder |
| 7. Afløbsslange | 8. Netfilter |
| 9. Filterhus | 10. Fugtindikatorlampe |
| 11. Gummiprop til dræningsfunktion | 12. Aktivt kulfilter |

Kontrolpanel

- | | |
|--|--|
| A. Tænd / sluk-knap | B. Tilstandsknap |
| B1. Normal indikator for affugtningstilstand | B2. Indikator for kontinuerlig affugtningstilstand |
| B3. Indikator for stærk affugtningstilstand | B4. Indikator for tørretumbler |
| C. Timer 0-24 timer knap | C1. Tidsenhedsindikator |
| D. Ekstra blæserfunktionsknap / -indikator | E. Børmesikringsknap / -indikator |
| F. Blæserhastighedsknap | F1. Indikator for lav blæserhastighed |
| F2. Indikator for høj blæserhastighed | G. Dvaletilstandsknap / -indikator |
| H. Indstillingsknap for fugtighed 30-80% relativ fugtighed | H1. Fugtighedsenhedsindikator |
| J. Indikator for afrimningstilstand | K. Indikator for fuld vandtank |
| L. Digital visning af fugtighed og timer | |

Effektivitet

1. Apparatet udfører automatisk afrimning i regelmæssige intervaller i henhold til stuetemperaturen.
 - a) Hvis stuetemperaturen er lig med eller overstiger 24 ° C, stoppes afrimningen.
 - b) Hvis stuetemperatur er 18 ° C -24 ° C, tændes afrimningen i 5 minutter efter hvert 120 minutters affugtning.
 - c) Hvis stuetemperatur er 12 ° C -18 ° C, tændes afrimningen i 5 minutter efter hvert 25. minut affugtning.
 - d) Hvis stuetemperatur er 5 ° C -12 ° C, tændes afrimningen i 5 minutter efter hvert 20. minut affugtning.
2. Under afrimningsprocessen kan affugtningfunktionen muligvis interfereres.
3. Sluk ikke for kontakten, og træk ikke stikket på affugteren ud under afrimning.
4. Denne affugter kan ikke anvendes til at holde ekstrem lav temperatur. Denne affugter har til formål at pumpe den ubehagelige, høj luftfugtighed af.

Affugtningskapacitet

1. Denne affugter har ikke kølefunktion. Det producerer varme under operationen og øger stuetemperaturen med 1-4 ° C.
2. Affugterens daglige affugtningskapacitet afhænger af stuetemperatur og relativ fugtighed. Ved forskellige temperaturer og relativ fugtighed kan det have forskellig affugtningskapacitet.
3. I den samme stuetemperatur er affugtningskapaciteten højere ved højere relativ fugtighed, og affugtningskapaciteten er lavere i lavere relativ fugtighed. I den samme relative fugtighed er affugtningskapaciteten højere ved højere temperaturer, og affugtningskapaciteten er

lavere ved lavere temperatur.

4. Hvis affugteren anbringes i kabinettet, kan dets affugtningsevne reduceres meget på kort tid efter brug på grund af fugtigheden i kabinettet er blevet stærkt reduceret.

5. Ved 5 ° C / 10 ° C / 15 ° C / 20 ° C / 25 ° C / 30 ° C ved stuetemperatur og 80% af den relative fugtighed er affugtningsskapaciteten henholdsvis omkring 2/4/6/8/10 liter vand, når luftudgangen er helt åben.

Fugtighedsindikatorlampe (10)

Under drift viser indikatorlampen for fugtighed det aktuelle luftfugtighedsniveau i rummet:

- Blå farve betyder lav luftfugtighed under 50% relativ luftfugtighed
- Grøn farve betyder medium luftfugtighed i området 51% - 69% relativ luftfugtighed
- Rød farve betyder høj luftfugtighed over 70% relativ luftfugtighed

Bemærk, at den relative fugtighedsværdi har fået 3% tolerance, når det tilsvarende indikationslys lyser op.

Operation

1. Placer maskinenheden lodret for at undgå misbrug og usædvanlig lyd. Hold afstand mellem andre objekter som vist på billede 1. Sæt enheden i.

2. Tænd / sluk-knappen (A) på kontrolpanelet (1) skal trykkes for at tænde enheden. Det digitale display (L) viser det aktuelle fugtighedsniveau i rummet.

3. Modeknap (B) skal trykkes igen for at vælge den ønskede driftstilstand mellem:

B1. Almindelig affugtningstilstand

Når du vælger denne tilstand, vil indikatoren B1 lyse.

B2. Kontinuerlig affugtningstilstand

Når du vælger denne tilstand, vil indikatoren B2 lyse.

B3. Kraftig affugtningstilstand

Når du vælger denne tilstand, vil indikatoren B3 lyse.

B4. Tøj til tørring af tøj

Når du vælger denne tilstand, vil indikatoren B4 lyse.

4. Fugtighedsindstillingsknappen (H) skal trykkes igen for at indstille ønsket rumfugtighed mellem 30-80% med 5% justeringsfaktor.

Fugtighedsindstillingen er kun gyldig under almindelig affugtningstilstand (B1). Efter opsætning af krævet rumfugtighed blinker det digitale display (L) for at huske det, og enheden begynder at fungere. Næste ved det digitale display (L) vises den aktuelle rumfugtighed. Det er nødvendigt at indstille den krævede rumfugtighed på et lavere niveau end den nuværende rumfugtighed, ellers starter enheden ikke affugtning. Når den relative fugtighed i rummet er lig med det niveau, der tidligere var indstillet på displayet, slukker enheden automatisk for kompressoren, affugteren stopper, kun blæseren fungerer.

5. Timer-knap (C) har to funktioner:

DELAY START-funktion

Timeren kan indstilles, når enheden er i slukket status. Tryk på timer-knappen (C): "Hr" -indikatoren (C1) på LED-displayet lyser, og "00" vises på det digitale display (L); inden for 5 sekunder skal du trykke på timer-knappen (C) for at vælge den ønskede tid, når enheden skal tænde. Når timeren er indstillet, vises tiden i 5 sekunder, "Hr" -indikatoren (C1) vil være tændt. Enheden tændes automatisk, efter at opsætningstiden er gået.

Indstilling af Timer OFF-funktionen - DELAY STOP

Timer fra-funktionen kan indstilles, når enheden er i tændt-status. Tryk på timer-knappen (C): "Hr" -indikationen (C1) på LED-displayet lyser, og "00" vises på det digitale display (L); inden for 5 sekunder skal du trykke på timer-knappen (C) for at vælge den ønskede tid for enheden at slukke. Når timeren er indstillet, vises klokkeslættet i 5 sekunder, og "Hr" -indikatoren (C1) tændes. Enheden slukker automatisk, når opsætningstiden er gået.

Timerområdet er fra 1 til 24 timer med et 1 times interval.

6. Ekstra blæsertilstandsknap (D) skal trykkes for at aktivere eller reaktiv luftcirkulation ud over blæserdrift. Når denne blæsertilstand er tændt for ekstra luftcirkulation, er affugtningstilstanden slået fra.

7. Børnesikringsknap (E) skal trykkes og holdes nede i 3 sekunder for at høre lyden, der bekræfter indtastning af knapperne for at låse tilstanden. På dette tidspunkt er tryk på en hvilken som helst knap ugyldig. Børnesikringsknappen lyser også på dette tidspunkt. For at slukke for låseknapen skal du trykke på børnesikringsknappen (E) igen og holde den nede i 3 sekunder for at høre lyden, der bekræfter, annullere knapperne låsetilstand.

8. Blæserhastighedsknap (F) kan betjenes, når enheden skiftes til blæsertilstand (D) eller almindelig affugtningstilstand (B1). Tryk på blæserhastighedsknappen (F) for at vælge mellem lav eller høj hastighed. Den passende indikator lyser (F1 eller F2).

9. Dvæletilstandsknap (G) skal trykkes ned for at slukke for alle andre indikatorlamper undtagen dvæletilstand. Tryk på en vilkårlig knap for at se tidligere opsætningsfunktioner på kontrolpanelet. Efter 5 sekunder fortsættes driften af dvæletilstand. For at annullere dvæletilstand skal du trykke på dvæletilstandsknappen (G) igen.

10. Tryk på afbryderen (A) igen for at slukke for enheden, enhedens maskine holder op med at køre.

Vandtank service

1. Hvis vandtanken (3) er fuld, eller vandtanken (3) ikke er installeret i den korrekte position, lyser indikatoren for fuld vandtank (K) på kontrolpanelet (1). Enheden vil give gentagne alarmlyde, fugtighedsindikatorlampen (10) begynder at blinke i rød farve.

2. Når indikatorlampen for fuld vandtank (K) blinker, stopper kompressoren, der er installeret inde i maskinen, så den ikke kondenserer vand, før vandtanken er tom eller indstillet i den rigtige position, men blæseren fortsætter med at køre.

3. For at fjerne vandtanken (3) skal du holde i vandtankens sider og trække den ud. Demonter ikke flyderen (6) fra vandtanken (3). Se på billede 3.
4. For at tømme vandtanken (3) skal du vippe den som vist på billede 5 og dræne vandet langsomt. Geninstaller derefter vandtanken (3) i affugteren.

Kontinuerlig dræningsfunktion

1. Hvis du har brug for at affugte luften i lang tid, kan du bruge den kontinuerlige dræningsfunktion.
 2. Træk i gummiproppen (11), og indsæt derefter den vedlagte kontinuerlige afløbsslange (7) som på billede 2.
 3. Når den kontinuerlige dræning er afsluttet, skal du udskifte gummiproppen (11) og slukke for enheden.
- Kontinuerlig afløbsslange: længde: 30 cm, indvendig diameter: 17 mm, udvendig diameter: 19 mm.

Rengøring og vedligeholdelse

1. Sluk for enheden, og tag stikket ud, inden du begynder rengøring eller anden rutinemæssig vedligeholdelse.
2. For at undgå risikoen for elektrisk stød må du aldrig drysse eller spilde vand på affugteren, når du rengør det.
3. Sluk for enheden, og tøm vandet ud af vandtanken, inden du flytter enheden. Sørg for at holde i håndtaget, mens du bevæger dig.
4. Tør huset og apparatet op med en våd klud.
5. Demonter ikke flyderen (6) fra vandtanken (3).
6. Forud for planlagt kontinuerlig drift i lang varighed kræves periodisk kontrol især for netluftfilteret (8), aktivt kulfilter (12) og afløbsslangen (7) eller lignende.
7. Sådan rengøres eller udskiftes filtre:
 - træk stikket ud og tag vandtanken (3) ud,
 - fjern filterhuset (9) som vist i figur 4,
 - fjern netfilteret (8) fra huset og fjern forsigtigt det aktive kulfilter (12)
 - rengør begge filtre hver anden uge med en støvsuger. Affugtnings ydeevne kan falde, når filtrene er tilstoppet med. snavs.
 - sæt filtrene inde i filterhuset (9) og sæt dem i enhedens hus.
8. Rengør ikke enheden med benzin, fortynder eller flydende rengøringsmiddel.

TEKNISK DATA:

Affugtningskapacitet ved 30 ° C / 80% RF: 10 liter / 24 timer

Affugtningskapacitet ved 27 ° C / 60% RF: 5 liter / 24 timer

Støjniveau: <= 45dB

Vandtankens kapacitet: 2,2 liter

Luftstrøm: 120 m³ / time

R290 kølemiddelvægt: maks. 35 gram

Ratet indgangseffekt: 200W

Maks. Ratet indgangseffekt: 245W

Strømforsyning: 220-240V ~ 50Hz



Forsigtig, risiko for brand.

Må IKKE gennembore eller brænde.

Vær opmærksom på, at kølemediet muligvis ikke indeholder en lugt.

Den maksimale mængde kuldemedie: 35 g.



Af hensyn til miljøet ..

Venligst overfør papemballage til affaldspapir. Hæld polyethylenposer (PE) i plastbeholderen Slidt enhed skal returneres til det relevante punkt opbevaring, fordi det er farligt i enheden ingredienser kan udgøre en trussel for miljøet. Den elektriske enhed skal overleveres for at begrænse dets genanvendelse og brug. Hvis i enheden der er batterier, fjern dem og vende tilbage til punktet opbevares separat.

ΕΛΛΑΔΑ

ΓΕΝΙΚΕΣ ΠΡΟΫΠΟΘΕΣΕΙΣ ΑΣΦΑΛΕΙΑΣ ΣΗΜΑΝΤΙΚΕΣ ΟΔΗΓΙΕΣ ΑΣΦΑΛΕΙΑΣ ΔΙΑΒΑΣΤΕ ΠΡΟΣΕΚΤΙΚΑ ΚΑΙ ΦΥΛΑΞΤΕ ΓΙΑ ΜΕΛΛΟΝ

1. Πριν χρησιμοποιήσετε τη συσκευή, διαβάστε το εγχειρίδιο λειτουργίας και ακολουθήστε τις οδηγίες που περιέχει. Ο κατασκευαστής δεν ευθύνεται για ζημιές που προκλήθηκαν από τη χρήση της συσκευής σε αντίθεση με τον προορισμό ή την ακατάλληλη λειτουργία.
2. Η συσκευή προορίζεται μόνο για οικιακή χρήση. Μην χρησιμοποιείτε για άλλους σκοπούς που δεν είναι για τον προορισμό τους.
3. Η συσκευή πρέπει να συνδέεται μόνο σε πρίζα εναλλασσόμενου ρεύματος με γειωμένο 220 240V ~ 50Hz. Για να αυξήσετε την ασφάλεια λειτουργίας, πολλές ηλεκτρικές συσκευές δεν πρέπει να συνδέονται ταυτόχρονα σε ένα κύκλωμα ρεύματος.

4. Να είστε ιδιαίτερα προσεκτικοί όταν χρησιμοποιείτε τη συσκευή όταν τα παιδιά βρίσκονται κοντά. Μην επιτρέπετε στα παιδιά να παίζουν με τη συσκευή, μην επιτρέπετε σε παιδιά ή άτομα που δεν είναι εξοικειωμένα με τη συσκευή να τα χρησιμοποιούν.
5. ΠΡΟΕΙΔΟΠΟΙΗΣΗ: Αυτός ο εξοπλισμός μπορεί να χρησιμοποιηθεί από παιδιά ηλικίας άνω των 8 ετών και άτομα με περιορισμένη σωματική, αισθητηριακή ή νοητική ικανότητα ή άτομα που δεν έχουν εμπειρία ή γνώση του εξοπλισμού, εάν αυτό γίνεται υπό την επίβλεψη υπεύθυνου προσώπου για την ασφάλειά τους ή έχουν λάβει πληροφορίες για την ασφαλή χρήση της συσκευής και γνωρίζουν τους κινδύνους από τη χρήση της. Τα παιδιά δεν πρέπει να παίζουν με τον εξοπλισμό. Ο καθαρισμός και η συντήρηση της συσκευής δεν πρέπει να εκτελούνται από παιδιά, εκτός αν είναι άνω των 8 ετών και οι δραστηριότητες αυτές εκτελούνται υπό επίβλεψη.
6. Πάντοτε αποσυνδέετε το φις από την πρίζα κρατώντας την υποδοχή με το χέρι σας μετά τη χρήση. ΜΗΝ τραβάτε το καλώδιο τροφοδοσίας.
7. Μη βυθίζετε το καλώδιο, το βύσμα και ολόκληρη τη συσκευή σε νερό ή άλλο υγρό. Μην εκθέτετε τη συσκευή σε ατμοσφαιρικές συνθήκες (βροχή, ήλιο, κ.λπ.) ή σε συνθήκες υψηλής υγρασίας (μπάνια, υγροί κινητοί οικισμοί).
8. Ελέγχετε περιοδικά την κατάσταση του καλωδίου τροφοδοσίας. Εάν το καλώδιο τροφοδοσίας είναι κατεστραμμένο, πρέπει να αντικατασταθεί από ειδικό κατάστημα επισκευής για να αποφευχθεί ο κίνδυνος.
9. Μην χρησιμοποιείτε τη συσκευή με φθαρμένο καλώδιο τροφοδοσίας ή εάν έχει πέσει ή έχει υποστεί ζημιά με οποιονδήποτε άλλο τρόπο ή εάν δεν λειτουργεί σωστά. Μην επισκευάζετε τη συσκευή σας μόνοι σας, καθώς υπάρχει κίνδυνος ηλεκτροπληξίας. Πάρτε την κατεστραμμένη συσκευή σε κατάλληλο κέντρο σέρβις για έλεγχο ή επισκευή. Όλες οι επισκευές πρέπει να εκτελούνται μόνο από εξουσιοδοτημένα σημεία εξυπηρέτησης. Οι εσφαλμένες επισκευές μπορούν να προκαλέσουν σοβαρό κίνδυνο για τον χρήστη.
10. Τοποθετήστε τη συσκευή σε δροσερή, σταθερή επιφάνεια, μακριά από θερμές συσκευές κουζίνας όπως: ηλεκτρική κουζίνα, καυστήρα αερίου κλπ.
11. Βεβαιωθείτε ότι τίποτα δεν εμποδίζει την είσοδο και την έξοδο αέρα της συσκευής
12. Χρησιμοποιείτε τη συσκευή μόνο σε επίπεδη επιφάνεια για να αποφύγετε τη διαρροή της συμπύκνωσης
13. Για την παροχή πρόσθετης προστασίας, συνιστάται η τοποθέτηση συσκευής υπολειπόμενου ρεύματος (RCD) στο ηλεκτρικό κύκλωμα με ονομαστικό υπολειπόμενο ρεύμα που δεν υπερβαίνει τα 30mA. Ρωτήστε έναν ηλεκτρολόγο για αυτό.
14. Καθαρίζετε τακτικά το φίλτρο αέρα. Η συχνότητα καθαρισμού εξαρτάται από την καθαριότητα του αέρα.
15. Αφού απενεργοποιήσετε τη συσκευή, περιμένετε τουλάχιστον 5 λεπτά πριν ενεργοποιήσετε ξανά.
16. Για αποτελεσματική αφύγρανση, πρέπει να χρησιμοποιείται διάκενο τουλάχιστον 20 cm μεταξύ των πλευρικών τοιχωμάτων των συσκευών και των συμπιεσμένων επίπλων ή κουρτινών.
17. Για να αποφύγετε τον κίνδυνο πυρκαγιάς ή έκρηξης, μην ψεκάσετε το στεγνωτήριο

18. Για να χρησιμοποιήσετε τα εξαρτήματα του περιβλήματος, μην τοποθετείτε τον αφυγραντήρα κοντά σε συσκευές θέρμανσης.
19. Αφαιρέστε το νερό που συλλέχθηκε στη δεξαμενή. Το πόσιμο νερό κατά λάθος ή η χρήση του με άλλα άτομα μπορεί να προκαλέσει ασθένεια.
20. Δεν υποστηρίζει συσκευές που έχουν αφαιρεθεί το πίσω κάλυμμα λόγω κινούμενων και ζεστών εξαρτημάτων.
21. Μην χρησιμοποιείτε άλλα μέσα για να πραγματοποιήσετε τη διαδικασία απόψυξης ή λειτουργίας εκτός από εκείνες που συνιστά ο κατασκευαστής.
22. Η συσκευή πρέπει να είναι διαθέσιμη ως μέρος μόνιμης λίστας πηγών ανάφλεξης, δηλαδή χωρίς ανοιχτή φλόγα, χωρίς συσκευή αερίου εργασίας ή χωρίς θερμαντήρα συσκευής εργασίας.
23. Μην τρυπάτε ή καπνίζετε.
24. Σημειώστε ότι οι κατασκευαστές ψυκτικών μπορεί να μην περιέχουν άρωμα.

Πριν από την πρώτη χρήση:

1. Ο αφυγραντήρας πρέπει να χρησιμοποιείται σε επίπεδη και σταθερή επιφάνεια, να διατηρεί τις αποστάσεις μεταξύ της μονάδας και άλλων αντικειμένων σύμφωνα με την εικόνα 1 για να εξασφαλιστεί η κατάλληλη απόδοση. Κλείστε όλα τα παράθυρα και τις πόρτες του δωματίου που θέλετε να αφυγρανθεί ο αέρας.
2. Για να αποφύγετε την κατάψυξη του νερού, μην χρησιμοποιείτε τον αφυγραντήρα και τον εύκαμπο σωλήνα αποστράγγισης σε θερμοκρασία περιβάλλοντος κάτω από 0 ° C
3. Μην χρησιμοποιείτε τον αφυγραντήρα έξω. Η έκθεση σε άμεσο ηλιακό φως ή βροχή μπορεί να οδηγήσει σε υπερθέρμανση, ηλεκτροπληξία και πυρκαγιά.
4. Μην τοποθετείτε τη δεξαμενή νερού στον αφυγραντήρα για να αποφύγετε τυχόν διαρροή νερού μέσα στη μονάδα και να καταστρέψετε τη μόνωση.
5. Ποτέ μην επιχειρήσετε να χρησιμοποιήσετε τον αφυγραντήρα για ειδικές χρήσεις, όπως η αφύγρυνση τροφίμων ή η συντήρηση αντικειμένων τέχνης ή παρόμοια.
6. Μη χρησιμοποιείτε τον αφυγραντήρα σε περίπτωση διαρροής λαδιού ή εύφλεκτου αερίου. Μην χρησιμοποιείτε τη μονάδα σε μέρη που υπόκεινται σε χημικά.
7. Για συνεχή αποστράγγιση, βεβαιωθείτε ότι ο σωλήνας αποστράγγισης έχει ρυθμιστεί σωστά με κλίση.
8. Προσέξτε ότι η συσκευή θέρμανσης δεν εκτίθεται στον αέρα από τον αφυγραντήρα.
9. Μη χρησιμοποιείτε τον αφυγραντήρα ως καρέκλα ή σκαμπό.
10. Μην αφαιρέσετε το μοχλό επίπλευσης από τη δεξαμενή νερού.
11. Μην φράζετε τις εισόδους αέρα και τις εξόδους αέρα.
12. Μην καλύπτετε τη μονάδα με πλυμένα ρούχα.

Πριν από τη συνεχή λειτουργία για μεγάλη διάρκεια, απαιτείται περιοδικός έλεγχος ειδικά για το φίλτρο καθαρού αέρα, τον εύκαμπο σωλήνα αποστράγγισης ή παρόμοια.

Περιγραφή προϊόντος: CR7851 Αφυγραντήρας αέρα

- | | |
|--|--------------------------------|
| 1. Πίνακας ελέγχου | 2. Εισαγωγή αέρα |
| 3. Δεξαμενή νερού 2,2L | 4. Εξόδος αέρα |
| 5. Λαβή | 6. Floater |
| 7. Σωλήνας αποστράγγισης | 8. Φίλτρο αέρα πλέγματος |
| 9. Περιβλήμα φίλτρου | 10. Ενδεικτική λυχνία υγρασίας |
| 11. Λαστιχένιο πώμα για λειτουργία αποστράγγισης | 12. Φίλτρο ενεργού άνθρακα |

Πίνακας Ελέγχου

A. Κουμπί λειτουργίας B. Κουμπί λειτουργίας

B1. Συνήθης δείκτης τρόπου αφύγρυνσης

B3. Ένδειξη λειτουργίας ισχυρής αφύγρυνσης

Γ. Χρονοδιακόπτης 0-24 ώρες κουμπί

D. Πρόσθετο κουμπί / ένδειξη λειτουργίας ανεμιστήρα

F. Κουμπί ταχύτητας ανεμιστήρα

ΣΤ2. Ένδειξη υψηλής ταχύτητας ανεμιστήρα

H. Κουμπί ρύθμισης για υγρασία 30-80% σχετική υγρασία

B2. Ένδειξη λειτουργίας συνεχούς αφύγρυνσης

B4. Ένδειξη τρόπου στεγνώματος ρούχων

C1. Ένδειξη μονάδας χρόνου

E. Κουμπί / ένδειξη κλειδώματος παιδιών

F1. Ένδειξη χαμηλής ταχύτητας ανεμιστήρα

G. Κουμπί / ένδειξη λειτουργίας αδράνειας

H1. Ένδειξη μονάδας υγρασίας

Αποδοτικότητα

1. Η συσκευή εκτελεί αυτόματα απόψυξη σε τακτά χρονικά διαστήματα ανάλογα με τη θερμοκρασία δωματίου.
 - α) Εάν η θερμοκρασία δωματίου είναι ίση ή μεγαλύτερη από 24 ° C, η απόψυξη σταματά.
 - β) Εάν η θερμοκρασία δωματίου είναι 18 ° C -24 ° C, η απόψυξη ενεργοποιείται για 5 λεπτά μετά από κάθε 120 λεπτά αφύγρανσης.
 - γ) Εάν η θερμοκρασία δωματίου είναι 12 ° C -18 ° C, η απόψυξη ενεργοποιείται για 5 λεπτά μετά από κάθε 25 λεπτά αφύγρανσης.
 - δ) Εάν η θερμοκρασία δωματίου είναι 5 ° C -12 ° C, η απόψυξη ενεργοποιείται για 5 λεπτά μετά από κάθε 20 λεπτά αφύγρανσης.
2. Κατά τη διάρκεια της λειτουργίας απόψυξης, μπορεί να διακοπεί η λειτουργία αφύγρανσης.
3. Μην απενεργοποιείτε το διακόπτη και μην βγάζετε το βύσμα τροφοδοσίας του αφυγραντήρα κατά τη διάρκεια της απόψυξης.
4. Αυτός ο αφυγραντήρας δεν μπορεί να εφαρμοστεί για τη διατήρηση ακραίων χαμηλών θερμοκρασιών. Η λειτουργία αυτού του αφυγραντήρα είναι να αποβάλλει τη δυσάρεστη, υψηλή υγρασία.

Ικανότητα αφύγρανσης

1. Αυτός ο αφυγραντήρας δεν έχει λειτουργία ψύξης. Θα παράγει θερμότητα κατά τη διάρκεια της λειτουργίας και θα αυξήσει τη θερμοκρασία δωματίου κατά 1-4 ° C.
2. Η ημερήσια ικανότητα αφύγρανσης του αφυγραντήρα εξαρτάται από τη θερμοκρασία δωματίου και τη σχετική υγρασία. Σε διαφορετικές θερμοκρασίες και σχετική υγρασία, μπορεί να έχει διαφορετική ικανότητα αφύγρανσης.
3. Στην ίδια θερμοκρασία δωματίου, η ικανότητα αφύγρανσης είναι υψηλότερη σε υψηλότερη σχετική υγρασία και η ικανότητα αφύγρανσης είναι χαμηλότερη σε χαμηλότερη σχετική υγρασία. Στην ίδια σχετική υγρασία, η ικανότητα αφύγρανσης είναι υψηλότερη σε υψηλότερη θερμοκρασία και η ικανότητα αφύγρανσης είναι χαμηλότερη σε χαμηλότερη θερμοκρασία.
4. Εάν ο αφυγραντήρας τοποθετηθεί στο περιβλήμα, η ικανότητα αφυγραντήσεως του μπορεί να μειωθεί σημαντικά σε σύντομο χρονικό διάστημα μετά τη λειτουργία του λόγω της υγρασίας στο θάλαμο.
5. Για 5 ° C / 10 ° C / 15 ° C / 20 ° C / 25 ° C / 30 ° C της θερμοκρασίας δωματίου και 80% της σχετικής υγρασίας, η ικανότητα αφύγρανσης είναι αντίστοιχα περίπου 2/4/6/8/10 λίτρα νερού όταν η έξοδος αέρα είναι πλήρως ανοιχτή.

Ενδεικτική λυχνία υγρασίας (10)

Κατά τη λειτουργία, το φως ένδειξης υγρασίας δείχνει το τρέχον επίπεδο υγρασίας στο δωμάτιο:

- Το μπλε χρώμα σημαίνει χαμηλή υγρασία κάτω από 50% σχετική υγρασία
 - Το πράσινο χρώμα σημαίνει μέση υγρασία στο εύρος 51% - 69% σχετική υγρασία
 - Το κόκκινο χρώμα σημαίνει υψηλή υγρασία πάνω από 70% σχετική υγρασία
- Λάβετε υπόψη ότι η τιμή σχετικής υγρασίας έχει ανοχή 3% όταν ανάβει την αντίστοιχη ένδειξη.

Λειτουργία

1. Τοποθετήστε τη μονάδα μηχανή σε όρθια θέση για να αποφύγετε εσφαλμένη λειτουργία και ασυνήθιστο ήχο. Διατηρήστε αποστάσεις μεταξύ άλλων αντικειμένων όπως φαίνεται στην εικόνα 1. Συνδέστε τη συσκευή.
2. Ο διακόπτης τροφοδοσίας (A) στον πίνακα ελέγχου (1) πρέπει να πατηθεί για να ενεργοποιηθεί η συσκευή. Η ψηφιακή οθόνη (L) θα δείχνει το παρόν επίπεδο υγρασίας στο δωμάτιο.
3. Πρέπει να πατήσετε ξανά το κουμπί τρόπου (B) για να επιλέξετε τον επιθυμητό τρόπο λειτουργίας μεταξύ:
 - B1. Συνηθισμένη λειτουργία αφύγρανσης
Όταν επιλέξετε αυτήν τη λειτουργία, η ένδειξη B1 θα ανάψει.
 - B2. Συνεχής λειτουργία αφύγρανσης
Όταν επιλέξετε αυτήν τη λειτουργία, η ένδειξη B2 θα ανάψει.
 - B3. Ισχυρή λειτουργία αφύγρανσης
Όταν επιλέξετε αυτήν τη λειτουργία, η ένδειξη B3 θα ανάψει.
 - B4. Λειτουργία στεγνώματος ρούχων
Όταν επιλέξετε αυτήν τη λειτουργία, η ένδειξη B4 θα ανάψει.
4. Το κουμπί ρύθμισης υγρασίας (H) πρέπει να πατηθεί ξανά για να ρυθμιστεί η επιθυμητή υγρασία δωματίου μεταξύ 30-80% με συντελεστή ρύθμισης 5%. Η ρύθμιση υγρασίας ισχύει μόνο με τη συνήθη λειτουργία αφύγρανσης (B1). Μετά τη ρύθμιση της απαιτούμενης υγρασίας δωματίου, η ψηφιακή οθόνη (L) αναβοσβήνει για να την θυμηθεί και η συσκευή αρχίζει να λειτουργεί. Στη συνέχεια στην ψηφιακή οθόνη (L) εμφανίζεται η παρούσα υγρασία δωματίου. Πρέπει να ρυθμιστεί η απαιτούμενη υγρασία δωματίου σε χαμηλότερο επίπεδο από την παρούσα υγρασία δωματίου, διαφορετικά η συσκευή δεν θα ξεκινήσει την αφύγρανση. Όταν η σχετική υγρασία στο δωμάτιο ισούται με το επίπεδο σχετικής υγρασίας που είχε οριστεί προηγουμένως στην οθόνη, η συσκευή θα απενεργοποιηθεί αυτόματα τον συμπίεστή, ο αφυγραντήρας θα σταματήσει, θα λειτουργεί μόνο ο ανεμιστήρας.
5. Το κουμπί χρονοδιακόπτη (C) λειτουργεί δύο λειτουργίες:

Λειτουργία DELAY START

Ο χρονοδιακόπτης μπορεί να ρυθμιστεί όταν η συσκευή βρίσκεται σε κατάσταση απενεργοποίησης. Πατήστε το κουμπί χρονοδιακόπτη (C): Η ένδειξη "Hr" (C1) στην οθόνη LED ανάβει και το "00" θα εμφανιστεί στην ψηφιακή οθόνη (L). εντός 5 δευτερολέπτων, θα πρέπει να πατήσετε το κουμπί χρονοδιακόπτη (C) για να επιλέξετε τον επιθυμητό χρόνο όταν πρέπει να ενεργοποιηθεί η συσκευή. Μόλις ρυθμιστεί ο χρονοδιακόπτης, ο χρόνος θα εμφανιστεί για 5 δευτερόλεπτα, η ένδειξη "Hr" (C1) θα ανάψει. Η συσκευή θα ενεργοποιηθεί αυτόματα μετά την πάροδο του χρόνου ρύθμισης.

Ρύθμιση της λειτουργίας OFF Timer - DELAY STOP

Η λειτουργία χρονοδιακόπτη μπορεί να ρυθμιστεί όταν η συσκευή είναι σε κατάσταση ενεργοποίησης. Πατήστε το κουμπί χρονοδιακόπτη (C): η ένδειξη "Hr" (C1) στην οθόνη LED ανάβει και το "00" εμφανίζεται στην ψηφιακή οθόνη (L). εντός 5 δευτερολέπτων, θα πρέπει να πατήσετε το κουμπί χρονοδιακόπτη (C) για να επιλέξετε τον επιθυμητό χρόνο για να απενεργοποιηθεί η συσκευή. Μετά τη ρύθμιση του χρονοδιακόπτη, ο χρόνος θα εμφανιστεί για 5 δευτερόλεπτα και η ένδειξη "Hr" (C1) ανάβει. Η συσκευή θα απενεργοποιηθεί αυτόματα μετά την πάροδο του χρόνου ρύθμισης.

Το χρονόμετρο κυμαίνεται από 1 έως 24 ώρες με διάστημα 1 ώρας.

6. Το πρόσθετο κουμπί λειτουργίας ανεμιστήρα (D) πρέπει να πατηθεί για ενεργή ή αντιδραστική κυκλοφορία αέρα επιπλέον της λειτουργίας του ανεμιστήρα. Όταν αυτή η λειτουργία ανεμιστήρα είναι ενεργοποιημένη για επιπλέον κυκλοφορία αέρα, η λειτουργία αφύγρανσης απενεργοποιείται.

7. Το κουμπί κλειδώματος παιδιών (E) πρέπει να πατηθεί και να κρατηθεί για 3 δευτερόλεπτα για να ακούσει τον ήχο που επιβεβαιώνει ότι εισάγετε τα κουμπιά για την κατάσταση κλειδώματος, προς το παρόν πατώντας οποιοδήποτε κουμπί δεν είναι έγκυρο. Το κουμπί κλειδώματος παιδιών ανάβει επίσης αυτήν τη στιγμή. Για να απενεργοποιήσετε το κουμπί κλειδώματος κουμπιών πατήστε ξανά το κουμπί κλειδώματος παιδιών (E) και κρατήστε το πατημένο για 3 δευτερόλεπτα για να ακούσετε τον ήχο επιβεβαιώνοντας ότι ακυρώνεται η κατάσταση κλειδώματος των κουμπιών.

8. Το κουμπί ταχύτητας ανεμιστήρα (F) μπορεί να χρησιμοποιηθεί όταν η συσκευή αλλάξει σε λειτουργία ανεμιστήρα (D) ή σε κανονική λειτουργία αφύγρανσης (B1). Πατήστε το κουμπί ταχύτητας ανεμιστήρα (F) για να επιλέξετε μεταξύ χαμηλής ή υψηλής ταχύτητας. Η κατάλληλη ένδειξη θα ανάψει (F1 ή F2).

9. Πρέπει να πατήσετε το κουμπί λειτουργίας ύπνου (G) για να σβήσετε όλες τις άλλες ενδεικτικές λυχνίες εκτός από τη λειτουργία αναστολής λειτουργίας. Πατήστε οποιοδήποτε κουμπί για να δείτε προηγούμενες λειτουργίες ρύθμισης στον πίνακα ελέγχου. Μετά από 5 δευτερόλεπτα, η λειτουργία αναστολής λειτουργίας θα συνεχιστεί. Για να ακυρώσετε τη λειτουργία αναστολής, πατήστε ξανά το κουμπί λειτουργίας αναστολής

10. Πατήστε ξανά το διακόπτη τροφοδοσίας (A) για να απενεργοποιήσετε τη συσκευή, το μηχανήμα της μονάδας σταματά να λειτουργεί.

Υπηρεσία δεξαμενής νερού

1. Εάν η δεξαμενή νερού (3) είναι γεμάτη ή η δεξαμενή νερού (3) δεν έχει εγκατασταθεί στη σωστή θέση τότε, η ένδειξη πλήρους δεξαμενής νερού (K) ανάβει στον πίνακα ελέγχου (1). Η συσκευή θα εκπέμπει επαναλαμβανόμενους ήχους συναγερμού, η ενδεικτική λυχνία υγρασίας (10) αρχίζει να αναβοσβήνει σε κόκκινο χρώμα.

2. Όταν η ενδεικτική λυχνία πλήρους δεξαμενής νερού (K) αναβοσβήνει, ο συμπιεστής που είναι εγκατεστημένος στο εσωτερικό του μηχανήματος σταματά έτσι ώστε να μην συμπυκνώνει νερό έως ότου το δοχείο νερού είναι άδειο ή ρυθμιστεί στη σωστή θέση, αλλά ο ανεμιστήρας συνεχίζει να λειτουργεί.

3. Για να αφαιρέσετε τη δεξαμενή νερού (3) κρατήστε τις πλευρές του δοχείου νερού και τραβήξτε προς τα έξω. Μην αποσυναρμολογείτε τον πλωτήρα (6) από τη δεξαμενή νερού (3). Κοιτάξτε την εικόνα 3.

4. Για να αδειάσετε τη δεξαμενή νερού (3), γείρετε την όπως φαίνεται στην εικόνα 5 και στραγγίστε αργά το νερό. Στη συνέχεια, εγκαταστήστε ξανά τη δεξαμενή νερού (3) στον αφυγραντήρα.

Συνεχής λειτουργία αποστράγγισης

1. Εάν πρέπει να αφυγρανθείτε τον αέρα για μεγάλο χρονικό διάστημα, μπορείτε να χρησιμοποιήσετε τη λειτουργία συνεχούς αποστράγγισης.

2. Τραβήξτε το λαστιχένιο πώμα (11) και, στη συνέχεια, τοποθετήστε τον προσαρτημένο σωλήνα συνεχούς αποστράγγισης (7) όπως στην εικόνα 2.

3. Αφού τερματίσετε τη συνεχή αποστράγγιση, αντικαταστήστε το ελαστικό πώμα (11) και απενεργοποιήστε τη συσκευή.

Σωλήνας συνεχούς αποστράγγισης: μήκος: 30 cm, εσωτερική διάμετρος: 17 mm, εξωτερική διάμετρος: 19 mm.

Καθαρισμός και συντήρηση

1. Απενεργοποιήστε τη μονάδα και αποσυνδέστε το φις πριν ξεκινήσετε τον καθαρισμό ή άλλη συντήρηση ρουτίνας.

2. Για να αποφύγετε τον κίνδυνο ηλεκτροπληξίας, μην ψεκάζετε και μην χύνετε νερό στον αφυγραντήρα κατά τον καθαρισμό.

3. Απενεργοποιήστε τη συσκευή και αδειάστε το νερό από τη δεξαμενή νερού πριν μετακινήσετε τη συσκευή. Φροντίστε να κρατάτε τη λαβή ενώ κινείστε.

4. Σκουπίστε τη συσκευή του περιβλήματος με βρεγμένο πανί.

5. Μην αποσυναρμολογείτε τον πλωτήρα (6) από τη δεξαμενή νερού (3).

6. Πριν από την προγραμματισμένη συνεχή λειτουργία για μεγάλο χρονικό διάστημα, απαιτείται περιοδικός έλεγχος ειδικά για το καθαρό φίλτρο αέρα (8), το φίλτρο ενεργού άνθρακα (12) και τον εύκαμπτο σωλήνα αποστράγγισης (7) ή παρόμοια.

7. Για να καθαρίσετε ή να αντικαταστήσετε τα φίλτρα:

- αποσυνδέστε το βύσμα και βγάλτε τη δεξαμενή νερού (3),

- αφαιρέστε το περίβλημα φίλτρου (9) όπως φαίνεται στο σχήμα 4,

- αφαιρέστε το φίλτρο πλέγματος (8) από το περίβλημα και αφαιρέστε απαλά το φίλτρο ενεργού άνθρακα (12)

- καθαρίζετε και τα δύο φίλτρα κάθε δύο εβδομάδες με ηλεκτρική σκούπα. Η απόδοση της αφύγρανσης ενδέχεται να μειωθεί όταν τα φίλτρα είναι φραγμένα με συντρίμια.

- τοποθετήστε τα φίλτρα μέσα στο περίβλημα φίλτρου (9) και τοποθετήστε τα στο περίβλημα της συσκευής.

8. Μην καθαρίζετε τη συσκευή με βενζίνη, διαλυτικό ή υγρό απορρυπαντικό.

ΤΕΧΝΙΚΑ ΔΕΔΟΜΕΝΑ:

Αφυγραντική ικανότητα στους 30 ° C / 80% RH): 10 λίτρα / 24 ώρες

Αφυγραπτική ικανότητα στους 27 ° C / 60% RH): 5 λίτρα / 24 ώρες
Επίπεδο θορύβου: <= 45dB
Χωρητικότητα δεξαμενής νερού: 2,2 λίτρα
Ροή αέρα: 120 m³ / ώρα
R290 ψυκτικό βάρος: μέγ. 35 γραμμάρια
Ισχύς εισόδου με βαθμολογία: 200W
Μέγιστη. Ισχύς εισόδου με βαθμολογία: 245W
Τροφοδοσία: 220-240V ~ 50Hz



Προσοχή, κίνδυνος πυρκαγιάς.
ΜΗΝ τρυπάτε ή καίτε.
Λάβετε υπόψη ότι το ψυκτικό μπορεί να μην περιέχει οσμή.
Η μέγιστη ποσότητα φορτίου ψυκτικού μέσου: 35g.



We geven om het milieu. We vragen u om de kartonnen verpakkingen te storten bij het oud papier. Polyethyleen zakken (PE) storten in de container voor plastic. Versleten apparatuur afgeven bij het juiste verzamelpunt, als in het apparaat gevaarlijke elementen zitten kan dat een bedreiging zijn voor het milieu. Elektrisch apparaat moet worden geretourneerd om het hergebruik te verminderen. Als in het apparaat batterijen zitten, horen die verwijderd te worden en apart af te worden gegeven bij het juiste verzamelpunt.

NEDERLANDS

ALGEMENE VEILIGHEIDSVOORWAARDEN BELANGRIJKE VEILIGHEIDSINSTRUCTIES LEES AANDACHTIG EN BEWAAR VOOR TOEKOMST

1. Lees voordat u het apparaat gebruikt de handleiding en volg de instructies die erin staan. De fabrikant is niet aansprakelijk voor schade veroorzaakt door het gebruik van het apparaat in strijd met het beoogde doel of onjuist gebruik.
2. Het apparaat is alleen voor thuisgebruik. Niet gebruiken voor andere doeleinden die niet voor het beoogde doel zijn.
3. Het apparaat mag alleen worden aangesloten op een stopcontact met een geaarde 220 240V ~ 50Hz. Om de operationele veiligheid te vergroten, mogen meerdere elektrische apparaten niet tegelijkertijd op één stroomcircuit worden aangesloten.
4. Wees uiterst voorzichtig wanneer u het apparaat gebruikt wanneer kinderen in de buurt zijn. Laat kinderen niet met het apparaat spelen, en laat kinderen of mensen die niet bekend zijn met het apparaat het gebruiken.
5. **WAARSCHUWING:** deze apparatuur kan worden gebruikt door kinderen ouder dan 8 jaar en mensen met beperkte fysieke, sensorische of mentale vaardigheden, of mensen die geen ervaring of kennis van de apparatuur hebben, als dit wordt gedaan onder toezicht van een verantwoordelijke persoon voor hun veiligheid of hebben ze informatie gekregen over het veilige gebruik van het apparaat en zijn zich bewust van de gevaren van het gebruik ervan. Kinderen mogen niet met het apparaat spelen. Reiniging en onderhoud van het apparaat mogen niet door kinderen worden uitgevoerd, tenzij ze ouder zijn dan 8 jaar en deze activiteiten worden uitgevoerd onder toezicht.
6. Trek altijd de stekker uit het stopcontact door het stopcontact na gebruik met uw hand vast te houden. Trek NIET aan het netsnoer.
7. Dompel de kabel, de stekker en het hele apparaat niet onder in water of een andere vloeistof. Stel het apparaat niet bloot aan atmosferische omstandigheden (regen, zon, enz.) Of gebruik het niet in omstandigheden met een hoge luchtvochtigheid (badkamers, vochtige stacaravans).
8. Controleer regelmatig de staat van het netsnoer. Als het netsnoer beschadigd is, moet het

- worden vervangen door een gespecialiseerde reparatiewerkplaats om gevaar te voorkomen.
9. Gebruik het apparaat niet met een beschadigd netsnoer of als het is gevallen of op een andere manier is beschadigd of als het niet goed werkt. Repareer het apparaat niet zelf, want er bestaat een risico op elektrische schokken. Breng het beschadigde apparaat naar een geschikt servicecentrum voor controle of reparatie. Alle reparaties mogen alleen door geautoriseerde servicepunten worden uitgevoerd. Onjuist uitgevoerde reparaties kunnen ernstig gevaar voor de gebruiker veroorzaken.
 10. Plaats het apparaat op een koele, stabiele ondergrond, uit de buurt van hete keukenapparatuur zoals: elektrisch fornuis, gasbrander, enz.
 11. Zorg ervoor dat niets de luchtinlaat en -uitlaat van het apparaat blokkeert
 12. Gebruik het apparaat alleen op een vlakke ondergrond om te voorkomen dat condensatie naar buiten komt
 13. Voor extra bescherming is het raadzaam om een aardlekschakelaar (RCD) in het elektrisch circuit te installeren met een nominale reststroom van niet meer dan 30 mA. Vraag hierom een elektricien.
 14. Reinig het luchtfilter regelmatig. De frequentie van schoonmaken hangt af van de reinheid van de lucht.
 15. Wacht na het uitschakelen van de machine minstens 5 minuten voordat u hem weer inschakelt.
 16. Voor een effectieve ontvochtiging moet een ruimte van minimaal 20 cm worden aangehouden tussen de zijwanden van de apparaten en de gecomprimeerde meubels of gordijnen.
 17. Spuit de droger niet om het risico op brand of explosie te vermijden
 18. Plaats de luchtontvochtiger niet in de buurt van verwarmingsapparaten om de behuizingsonderdelen te gebruiken.
 19. Verwijder het water dat in de tank is opgevangen. Per ongeluk water drinken of het gebruiken met andere mensen kan ziekte veroorzaken.
 20. Ondersteunt geen apparaten waarvan de achterklep is verwijderd vanwege bewegende en hete onderdelen.
 21. Gebruik voor het ontdooien of het gebruik geen andere middelen dan die welke door de fabrikant worden aanbevolen.
 22. Het apparaat moet beschikbaar zijn als onderdeel van een permanente lijst van ontstekingsbronnen, dwz zonder open vlam, zonder een werkend gasapparaat of zonder een werkend apparaatverwarmer.
 23. Niet doorboren of roken.
 24. Houd er rekening mee dat koelfabrikanten geen geur bevatten.

Voor het eerste gebruik:

1. De luchtontvochtiger moet worden gebruikt op een vlak en stabiel oppervlak, houd afstanden tussen de unit en andere objecten volgens afbeelding 1 om een geschikte efficiëntie te garanderen. Sluit alle ramen en deuren van de kamer waar u de lucht wilt ontvochtigen.
2. Gebruik de luchtontvochtiger en de afvoerslang niet bij omgevingstemperaturen onder 0 ° C om te voorkomen dat het water bevroert
3. Gebruik de luchtontvochtiger niet buiten. Blootstelling aan direct zonlicht of regen kan leiden tot oververhitting, elektrische schokken en brand.
4. Plaats geen watertank op de luchtontvochtiger om te voorkomen dat er water in het apparaat binnendringt en de isolatie verslechtert.

5. Probeer nooit de luchtontvochtiger te gebruiken voor speciale doeleinden, zoals het ontvochtigen van voedsel of het bewaren van kunstvoorwerpen en dergelijke.
 6. Gebruik de luchtontvochtiger niet op plaatsen waar lekkage van olie of brandbaar gas kan plaatsvinden. Gebruik het apparaat niet op plaatsen die onderhevig zijn aan chemicaliën.
 7. Zorg ervoor dat de afvoerslang correct is afgesteld op een helling voor continu legen.
 8. Zorg ervoor dat een verwarmingstoestel niet wordt blootgesteld aan de wind van de luchtontvochtiger.
 9. Gebruik de luchtontvochtiger niet als stoel of als voetenbank.
 10. Verwijder de vlotterhendel niet uit de watertank.
 11. Blokkeer de luchtinlaten en de luchtuitlaten niet.
 12. Bedek het apparaat niet met gewassen kleding.
- Voorafgaand aan continu gebruik gedurende lange tijd is periodieke controle vereist, vooral voor het luchtreinigingsfilter, de afvoerslang of dergelijke.

Productbeschrijving: CR7851 Luchtontvochtiger

- | | |
|--------------------------------------|--------------------------------|
| 1. Bedieningspaneel | 2. Luchtinlaat |
| 3. Watertank 2,2L | 4. Luchtuitlaat |
| 5. Handgreep | 6. Afspoelen |
| 7. Afvoerleiding | 8. Luchtfilter van gaas |
| 9. Filterhuis | 10. Controlelampje vochtigheid |
| 11. Rubberen stop voor afvoerfunctie | 12. Actief koelfilter |

Checklist

- | | |
|--|---|
| A. Aan / uit-knop | B. Aan / uit-knop |
| B1. Standaard ontvochtigingsindicator | B2. Indicator voor continue ontvochtiging |
| B3. Sterke ontvochtigingsindicator | B4. Indicatie voor het drogen van kleding |
| C. Timer 0-24 uur knop | C1. Weergave van tijdseenheid |
| D. Knop / indicator voor extra ventilator. | E. Knop / indicator voor kinderslot |
| F. Knop ventilatorsnelheid | F1. Indicator lage ventilatorsnelheid |
| F2. Indicator hoge snelheid ventilator | G. Indicator knop / stationair |
| H. Vochtigheidsknop 30-80% relatieve vochtigheid | H1. Vochtigheidseenheid display |
| I. Indicator ontdoofunctie | K. Indicator volledige watertank |
| L. Digitale vochtigheidsindicator en timer | |

Efficiëntie

1. Het apparaat ontdoet automatisch met regelmatige tussenpozen, afhankelijk van de kamertemperatuur.
 - a) Als de kamertemperatuur gelijk is aan of hoger is dan 24 ° C, stopt het ontdooien.
 - b) Als de kamertemperatuur 18 ° C -24 ° C is, wordt de ontdooiing gedurende 5 minuten geactiveerd na elke 120 minuten ontvochtiging.
 - c) Als de kamertemperatuur 12 ° C -18 ° C is, wordt de ontdooiing gedurende 5 minuten geactiveerd na elke 25 minuten ontvochtiging.
 - d) Als de kamertemperatuur 5 ° C -12 ° C is, wordt de ontdooiing gedurende 5 minuten geactiveerd na elke 20 minuten ontvochtiging.
2. Tijdens het ontdooien kan de ontvochtigingsfunctie worden onderbroken.
3. Schakel de schakelaar niet uit en verwijder de stekker van de luchtontvochtiger niet tijdens het ontdooien.
4. Deze luchtontvochtiger kan niet worden gebruikt om extreem lage temperaturen te handhaven. De functie van deze luchtontvochtiger is om onaangename, hoge luchtvochtigheid te elimineren.

Ontvochtigingscapaciteit

1. Deze luchtontvochtiger heeft geen koelfunctie. Het genereert warmte tijdens het gebruik en verhoogt de kamertemperatuur met 1-4 ° C.
2. De dagelijkse ontvochtigingscapaciteit van de luchtontvochtiger is afhankelijk van de kamertemperatuur en relatieve vochtigheid. Bij verschillende temperaturen en relatieve vochtigheid kan het een verschillende ontvochtigingscapaciteit hebben.
3. Bij dezelfde kamertemperatuur is de ontvochtigingscapaciteit hoger bij een hogere relatieve luchtvochtigheid en is de ontvochtigingscapaciteit lager bij een lagere relatieve luchtvochtigheid. Bij dezelfde relatieve luchtvochtigheid is de ontvochtigingscapaciteit hoger bij hogere temperaturen en de ontvochtigingscapaciteit lager bij lagere temperaturen.
4. Als de luchtontvochtiger in de behuizing is geïnstalleerd, kan de ontvochtigingscapaciteit in korte tijd na de werking aanzienlijk worden verminderd als gevolg van de vochtigheid in de kamer.
5. Bij 5 ° C / 10 ° C / 15 ° C / 20 ° C / 25 ° C / 30 ° C bij kamertemperatuur en 80% relatieve vochtigheid is de ontvochtigingscapaciteit ongeveer 2/4/6/8/10 liter van water als de luchtuitlaat volledig open is.

Vochtigheidsindicatielampje (10)

Tijdens bedrijf geeft het vochtigheidsindicatielampje het huidige vochtigheidsniveau in de kamer aan:

- Blauwe kleur betekent een lage luchtvochtigheid onder de 50% relatieve luchtvochtigheid
- Groene kleur betekent gemiddelde luchtvochtigheid in het bereik van 51% - 69% relatieve luchtvochtigheid
- Rode kleur betekent een hoge luchtvochtigheid van meer dan 70% relatieve luchtvochtigheid

Let op, de relatieve vochtigheid heeft een tolerantie van 3% wanneer het bijbehorende indicatielampje oplicht.

Modus

1. Plaats de camera-unit rechtop om defecten en ongebruikelijk geluid te voorkomen. Houd afstanden tussen andere objecten zoals weergegeven in afbeelding 1. Sluit het apparaat aan.
2. De hoofdschakelaar (A) op het bedieningspaneel (1) moet worden ingedrukt om het apparaat in te schakelen. Het digitale display (L) geeft de huidige luchtvochtigheid in de kamer weer.
3. U moet nogmaals op de modusknop (B) drukken om de gewenste modus te selecteren tussen:
B1. Normale ontvochtigingsfunctie
Als u deze functie selecteert, gaat indicator B1 branden.
B 2. Continue ontvochtigingsfunctie
Als u deze modus selecteert, licht indicator B2 op.
B3. Krachtige ontvochtigingsfunctie
Als u deze functie selecteert, gaat indicator B3 branden.
B4. Wasdroogfunctie
Als u deze functie selecteert, licht B4 op.
4. De vochtigheidsregelknop (H) moet opnieuw worden ingedrukt om de gewenste ruimteluchtvochtigheid in te stellen tussen 30-80% met een aanpassingsfactor van 5%. De luchtvochtigheidsinstelling is alleen geldig bij de standaard ontvochtigingsfunctie (B1). Nadat de gewenste ruimteluchtvochtigheid is ingesteld, knippert het digitale display (L) om deze te onthouden en begint het apparaat te werken. De huidige ruimteluchtvochtigheid wordt dan weergegeven op het digitale display (L). De gewenste ruimteluchtvochtigheid moet lager worden ingesteld dan de actuele ruimteluchtvochtigheid, anders begint het toestel niet met ontvochtigen. Wanneer het relevante
5. Timerknop (C) heeft twee functies:
DELAY START-functie
De timer kan worden ingesteld als het apparaat is uitgeschakeld. Druk op de timerknop (C): "Hr" -indicator (C1) bij het LED-display licht op en "00" verschijnt op het digitale display (L); binnen 5 seconden moet u op de timerknop (C) drukken om de gewenste tijd te selecteren waarop het apparaat moet inschakelen. Nadat de timer is ingesteld, wordt de tijd gedurende 5 seconden weergegeven, de indicator "Hr" (C1) brandt. Het apparaat wordt automatisch ingeschakeld nadat de insteltijd is verstreken.
De Timer OFF-functie instellen - DELAY STOP
De timer uit functie kan worden ingesteld als het apparaat in de inschakelstatus staat. Druk op de timerknop (C): de indicatie "Hr" (C1) bij het LED-display licht op en "00" verschijnt op het digitale display (L); binnen 5 seconden moet u op de timerknop (C) drukken om de gewenste tijd te selecteren waarop het apparaat moet uitschakelen. Nadat de timer is ingesteld, wordt de tijd gedurende 5 seconden weergegeven en gaat de "Hr" -indicator (C1) branden. Het apparaat wordt automatisch uitgeschakeld nadat de insteltijd is verstreken. Het timerbereik is van 1 tot 24 uur met een interval van 1 uur.
6. De extra ventilatormodusknop (D) moet worden ingedrukt voor actieve of reactieve luchtcirculatie naast de ventilatorwerking. Als deze ventilatormodus is ingeschakeld voor extra luchtcirculatie, is de ontvochtigingsmodus uitgeschakeld.
7. De kinderslotknop (E) moet gedurende 3 seconden worden ingedrukt om het geluid te horen dat bevestigt, voer de knoppen in om de status te vergrendelen. Op dit moment is het indrukken van een willekeurige knop ongeldig. De knop voor het kinderslot brandt op dit moment ook. Om de knopvergrendeling uit te schakelen, drukt u nogmaals op de kinderslotknop (E) en houdt u deze 3 seconden ingedrukt om het geluid te horen dat bevestigt dat de vergrendelingsstatus van de knoppen wordt opgeheven.
8. Knop ventilatorsnelheid (F) kan worden bediend wanneer het apparaat is omgeschakeld naar de ventilatormodus (D) of de normale ontvochtigingsmodus (B1). Druk op de ventilatorsnelheidsknop (F) om te kiezen tussen lage snelheid of hoge snelheid. De geschikte indicator licht op (F1 of F2).
9. Slaapmodusknop (G) moet worden ingedrukt om alle andere indicatielampjes uit te schakelen, behalve de slaapmodus. Druk op een willekeurige knop om eerder ingestelde functies op het bedieningspaneel te zien. Na 5 seconden wordt de slaapmodus voortgezet. Om de slaapmodus te annuleren, drukt u nogmaals op de slaapmodusknop (G).
10. Druk nogmaals op de aan / uit-schakelaar (A) om het apparaat uit te schakelen, de unitmachine stopt met werken.

Watertank service

1. Als de watertank (3) vol is of de watertank (3) is niet op de juiste plaats geïnstalleerd dan gaat de vol watertank indicatie (K) branden op het bedieningspaneel (1). Het apparaat zal herhaaldelijk alarmgeluiden geven, het vochtigheidsindicatielampje (10) begint rood te knipperen.
2. Als het indicatielampje voor vol waterreservoir (K) knippert, stopt de compressor die in de machine is geïnstalleerd, zodat het geen water condenseert totdat het waterreservoir leeg is of in de juiste positie staat, maar de ventilator blijft draaien.
3. Om het waterreservoir (3) te verwijderen, houdt u de zijkanten van het waterreservoir vast en trekt u het eruit. Haal de vlotter (6) niet uit de watertank (3). Kijk naar afbeelding 3.
4. Om het waterreservoir (3) te legen, kantelt u het zoals weergegeven op afbeelding 5 en laat u het water langzaam weglopen. Installeer vervolgens de watertank (3) weer in de luchtontvochtiger.

Continue afvoerfunctie

1. Als u de lucht langdurig moet ontvochtigen, kunt u gebruik maken van de continue afvoerfunctie.
 2. Trek aan de rubberen plug (11), en plaats vervolgens de bijgevoegde continue afvoerslang (7) zoals op afbeelding 2.
 3. Na beëindiging van het continu aftappen de rubberen plug (11) terugplaatsen en het apparaat uitschakelen.
- Doorlopende afvoerslang: lengte: 30 cm, binnendiameter: 17 mm, buitendiameter: 19 mm.

Reinigen en onderhoud

1. Schakel het apparaat uit en trek de stekker uit het stopcontact voordat u begint met schoonmaken of ander routineonderhoud.
2. Om het risico van elektrische schokken te vermijden, mag u tijdens het schoonmaken nooit water op de luchtontvochtiger sprenkelen of morsen.
3. Schakel het apparaat uit en laat het water uit het waterreservoir lopen voordat u het apparaat verplaatst. Zorg ervoor dat u het handvat vasthoudt tijdens het verplaatsen.
4. Veeg de behuizing van het apparaat af met een natte doek.
5. Haal de vlotter (6) niet uit de watertank (3).
6. Voorafgaand aan een geplande continue werking voor een lange duur, is een periodieke controle vereist, met name voor het netluchtfilter (8), actief koolfilter (12) en de afvoerslang (7), of iets dergelijks.
7. Om de filters te reinigen of te vervangen:
 - trek de stekker uit het stopcontact en verwijder het waterreservoir (3),
 - verwijder het filterhuis (9) zoals weergegeven in figuur 4,
 - verwijder het gaasfilter (8) uit de behuizing en verwijder voorzichtig het actieve koolstoffilter (12)
 - reinig beide filters elke twee weken met een stofzuiger. De ontvochtigingscapaciteit kan afnemen als de filters verstopt zijn met vuil.
 - plaats de filters in de filterbehuizing (9) en plaats ze in de behuizing van het apparaat.
8. Maak het apparaat niet schoon met benzine, verdunner of vloeibaar wasmiddel.

TECHNISCHE DATA:

Ontvochtigingscapaciteit bij 30 ° C / 80% RV): 10 liter / 24 uur

Ontvochtigingscapaciteit bij 27 ° C / 60% RV): 5 liter / 24 uur

Geluidsniveau: <= 45dB

Capaciteit watertank: 2,2 liter

Luchtstroom: 120 m³ / uur

Gewicht koelvloeistof R290: max. 35 gram

Geratificeerd ingangsvermogen: 200W

Max. Hoogte Geratificeerd ingangsvermogen: 245W

Stroomvoorziening: 220-240V ~ 50Hz



Let op, brandgevaar.

NIET doorboren of verbranden.

Houd er rekening mee dat het koelmiddel mogelijk geen geur bevat.

De maximale vulhoeveelheid koelmiddel: 35 g.



We geven om het milieu. We vragen u om de kartonnen verpakkingen te storten bij het oud papier. Polyethyleen zakken (PE) storten in de container voor plastic. Versleten apparatuur afgeven bij het juiste verzamelpunt, als in het apparaat gevaarlijke elementen zitten kan dat een bedreiging zijn voor het milieu. Elektrisch apparatuur moet worden geretourneerd om het hergebruik te verminderen. Als in het apparaat batterijen zitten, horen die verwijderd te worden en apart af te worden gegeven bij het juiste verzamelpunt.

СРПСКИ

ОПШТИ УСЛОВИ СИГУРНОСТИ

ВАЖНЕ БЕЗБЕДНОСНЕ УПУТЕ ПРОЧИТАЈТЕ УПОЗОРЕЊЕ И УШТЕДИТЕ БУДУЋНОСТ

1. Пре употребе уређаја, прочитајте упутство за употребу и следите упутства која се налазе у њему. Произвођач није одговоран за штету насталу употребом уређаја супротно његовој предвиђеној намени или неправилном раду.
2. Уређај је намењен само за кућну употребу. Не употребљавајте у друге сврхе које нису предвиђене.
3. Уређај треба да буде повезан на наизменичну струју са уземљеним 220 240В ~ 50Хз. Да би се повећала оперативна сигурност, више електричних уређаја не би требало истовремено да буде повезано на један струјни круг.
4. Будите изузетно опрезни када користите уређај када су деца у близини. Не дозволите деци да се играју са уређајем, не дозволите деци или особама које нису упознате са уређајем да га користе.
5. УПОЗОРЕЊЕ: Ову опрему могу користити деца старија од 8 година и особе

ограничене физичке, сензорне или менталне способности, или људи који немају искуства или знање о опреми, ако се то ради под надзором одговорне особе ради њихове сигурности или су им одобрени подаци о сигурној употреби уређаја и свесни су опасности употребе уређаја. Деца се не смеју играти са опремом. Чишћење и одржавање уређаја не би требало да раде деца, осим ако су старија од 8 година и ове активности се изводе под надзором.

6. Увек искључите утикач држећи утичницу руком након употребе. НЕ повлачите кабл за напајање.

7. Не урањајте кабл, утикач и цео уређај у воду или било коју другу течност. Не излажите уређај атмосферским условима (киша, сунце итд.) И не користите у условима високе влажности (купатила, влажне мобилне кућице).

8. Повремено проверите стање кабла за напајање. Ако је кабл за напајање оштећен, замените га у специјалном сервису да бисте избегли опасност.

9. Не користите уређај са оштећеним каблом за напајање или ако је пао или оштећен на било који други начин или ако не ради исправно. Не поправљајте уређај сами јер постоји опасност од електричног удара. Оштећени уређај однесите у одговарајући сервисни центар ради провере или поправке. Све поправке смеју обављати само овлашћени сервиси. Неправилно извршени поправци могу озбиљно опасити за корисника.

10. Уређај поставите на хладну и стабилну површину, даље од врућих кухињских уређаја као што су: електрични шпорет, плински горионик итд.

11. Пазите да ништа не блокира довод и излаз ваздуха уређаја

12. Користите уређај само на равној површини како бисте спречили да се кондензат пролије

13. Да бисте обезбедили додатну заштиту, препоручљиво је да у електрични круг инсталирате уређај за заосталу струју (РЦД) са називно заосталом струјом која не прелази 30mA. Питајте за то електричара.

14. Редовно чистите ваздушни филтер. Учесталост чишћења зависи од чистоће ваздуха.

15. Након што искључите машину, сачекајте најмање 5 минута пре него што је поново укључите.

16. За ефикасно одвлаживање влаге, потребно је користити размак од најмање 20 цм између бочних зидова уређаја и компримованог намештаја или завеса.

17. Да бисте избегли ризик од пожара или експлозије, не прскајте сушилицу

18. Да бисте користили делове кућишта, не постављајте овлаживач у близини грејних уређаја.

19. Уклоните воду сакупљену у резервоару. Случајно конзумирање воде или употреба са другим људима може проузроковати болест.

20. Не подржава уређаје са уклоњеним задњим поклопцем због покретних и врућих делова.

21. Немојте користити средства за одмрзавање или било које друго средство осим

оних које је препоручио произвођач.

22. Уређај би требао бити доступан у склопу сталне листе извора паљења, тј. Без отвореног пламена, без радног плинског уређаја или без гријача који ради.

23. Не пробијајте и не пушите.

24. Имајте на уму да произвођачи производа за хлађење можда не садрже мирисе.

Пре прве употребе:

1. Одвлаживач мора се користити на равној и стабилној површини, држати растојања између јединице и других предмета у складу са сликом 1 да би се осигурала одговарајућа ефикасност. Затворите све прозоре и врата собе у којој желите да исушите ваздух.
2. Да бисте спречили да се вода смрзне, не користите одвлаживач и одводно црево на собној температури испод 0 ° Ц
3. Не користите овлаживач зрака напољу. Изложеност директној сунчевој светлости или киши може резултирати прегревавањем, струјним ударом и пожаром.
4. Не стављајте резервоар за воду на одвлаживач да не би дошло до просипавања воде у уређај и оштећења изолације.
5. Никада не покушавајте да користите овлаживач за посебне намене, као што је одвлаживање хране или чување уметничких предмета или слично.
6. Не користите одвлаживач ваздуха где може доћи до цурења нафте или запаљивог гаса. Не користите уређај на местима која су изложена хемикалијама.
7. За непрекидно одводњавање проверите да ли је одводно црево правилно постављено са нагибом.
8. Пазите да уређај за грејање не буде изложен ветру са уређаја за сушење.
9. Не користите средство за одвлаживање косе као столицу или подлогу за стопала.
10. Не уклањајте ручицу пловка из резервоара за воду.
11. Не блокирајте доводе за ваздух и отворе за ваздух.
12. Не прекривајте јединицу опраном одећом.

Пре континуираног рада током дужег времена, потребна је периодична провера нарочито за филтер за чишћење ваздуха, одводно црево или слично.

Опис производа: CR7851 Одвлаживач ваздуха

- | | |
|------------------------------------|------------------------------|
| 1. Контролна табла | 2. Улаз за ваздух |
| 3. Резервоар за воду 2,2Л | 4. Излаз за ваздух |
| 5. Дршка | 6. Флоатер |
| 7. Одводно црево | 8. Мрежаста филтер за ваздух |
| 9. Кућиште филтра | 10. Индикатор влаге |
| 11. Гумени чеп за функцију дренаже | 12. Филтер са активним угљем |

Контролна табла

- | | |
|---|--|
| А. Дугме за напајање | В. Дугме за режим |
| В1. Индикатор уобичајеног начина одвлаживања | В2. Индикатор режима континуираног одвлаживања |
| В3. Индикатор јаког начина одвлаживања | В4. Индикатор режима сушења одеће |
| С. Тастер за тајмер 0-24 сата | С1. Индикатор временске јединице |
| Д. Дугме / индикатор додатног начина рада вентилатора | Е. Дугме / индикатор браве за децу |
| Ф. Дугме брзине вентилатора | Ф1. Индикатор мале брзине вентилатора |
| Ф2. Индикатор велике брзине вентилатора | Г. Дугме / индикатор режима спавања |
| Н. Дугме за подешавање влажности ваздуха 30-80% релативне влажности | Н1. Индикатор јединице влажности |
| Ј. Индикатор начина одмрзавања | К. Индикатор пуног резервоара за воду |
| Л. Дигитални приказ влажности и тајмер | |

Ефикасност

1. Уређај аутоматски врши одмрзавање у редовним интервалима у складу са собном температуром.
- а) Ако је собна температура једнака или већа од 24 ° Ц, одмрзавање се зауставља.
- б) Ако је собна температура 18 ° Ц -24 ° Ц, одмрзавање се укључује на 5 минута након сваких 120 минута одвлаживања.
- ц) Ако је собна температура 12 ° Ц -18 ° Ц, одмрзавање се укључује на 5 минута након сваких 25 минута одвлаживања.
- д) Ако је собна температура 5 ° Ц -12 ° Ц, одмрзавање се укључује на 5 минута након сваких 20 минута одвлаживања.
2. Током операције одмрзавања, функција одвлаживања може бити прекинута.
3. Молимо вас да не искључујете прекидач и не извличите утикач за одвлаживач током операције одмрзавања.
4. Овај одвлаживач не може се применити за одржавање екстремно ниских температура. Функција овог одвлаживача је да испумпа непријатну високу влажност.

Капацитет одвлаживања

1. Овај одвлаживач нема функцију хлађења. Током рада ће произвести топлоту и повећати собну температуру за 1-4 ° Ц.
2. Дневни капацитет одвлаживања одвлаживача зависи од собне температуре и релативне влажности. При различитим

температурама и релативној влажности ваздуха може имати различит капацитет одвлаживања.

3. На истој собној температури, капацитет одвлаживања је већи при већој релативној влажности, а капацитет одвлаживања је нижи при нижој релативној влажности. У истој релативној влажности, капацитет одвлаживања је већи при вишим температурама, а капацитет одвлаживања је нижи при нижој температури.

4. Ако се одвлаживач стави у кућиште, његов капацитет одвлаживања може се у кратком временском периоду након рада веома смањити, јер је влажност у орману веома смањена.

5. За 5 ° Ц / 10 ° Ц / 15 ° Ц / 20 ° Ц / 25 ° Ц / 30 ° Ц собне температуре и 80% релативне влажности, капацитет одвлаживања је око 2/4/6/8/10 литара воде када је отвор за ваздух потпуно отворен.

Vochtigheidsindicatielampje (10)

Tijdens bedrijf geeft het vochtigheidsindicatielampje het huidige vochtigheidsniveau in de kamer aan:

- Blauwe kleur betekent een lage luchtvochtigheid onder de 50% relatieve luchtvochtigheid

- Groene kleur betekent gemiddelde luchtvochtigheid in het bereik van 51% - 69% relatieve luchtvochtigheid

- Rode kleur betekent een hoge luchtvochtigheid van meer dan 70% relatieve luchtvochtigheid

Let op, de relatieve vochtigheid heeft een tolerantie van 3% wanneer het bijbehorende indicatielampje oplicht.

Операција

1. Поставите јединицу машине усправно како бисте избегли погрешно руковања и необичан звук. Држите раздаљину између осталих предмета као што је приказано на слици 1. Прикључите уређај.

2. Прекидач за напајање (А) на контролној табли (1) треба притиснути да бисте укључили уређај. Дигитални дисплеј (Л) приказује тренутни ниво влажности у соби.

3. Дугме режима (Б) треба поново притиснути да бисте изабрали жељени режим рада између:

Б1. Уобичајени начин одвлаживања

Када одаберете овај режим, индикатор Б1 ће упалити.

Б2. Непрекидни режим одвлаживања

Када одаберете овај режим, индикатор Б2 ће упалити.

Б3. Режим снажног влажења

Када одаберете овај режим, индикатор Б3 ће упалити.

Б4. Режим сушења одеће

Када одаберете овај режим, индикатор Б4 ће засветлети.

4. Дугме за подешавање влажности (Х) треба поново притиснути да бисте поставили жељену влажност у соби између 30-80% са 5% фактора подешавања. Подешавање влажности важи само у режиму уобичајеног одвлаживања (Б1). Након подешавања потребне влажности у соби, дигитални дисплеј (Л) ће трептати да би га запамтио и уређај почео да ради. Следеће на дигиталном дисплеју (Л) је приказана присутна влажност у соби. Потребно је подесити потребну влажност у просторији на нижи ниво од тренутне влажности у соби, у супротном уређај неће започети одвлаживање. Када се релативна влажност у соби изједначи са нивоом релативне влажности ваздуха који је претходно постављен на екрану, уређај ће аутоматски искључити компресор, одвлаживач ће се зауставити, само вентилатор ће радити.

5. Тастер тајмера (Ц) има две функције:

ДЕЛАИ СТАРТ функција

Тајмер се може подесити када је уређај у искљученом стању. Притисните дугме тајмера (Ц): Индикатор „Хр“ (Ц1) на ЛЕД дисплеју светли и на дигиталном дисплеју (Л) ће се појавити „00“; у року од 5 секунди, требало би да притиснете дугме тајмера (Ц) да бисте изабрали жељено време када уређај мора да се укључи. Једном када је тајмер подешен, време ће се приказивати 5 секунди, а индикатор „Хр“ (Ц1) ће бити укључен. Уређај ће се аутоматски укључити након истека времена подешавања.

Подешавање функције ОФФ тајмера - ДЕЛАИ СТОП

Функција искључења тајмера може се подесити када је уређај у статусу укључења. Притисните дугме тајмера (Ц): индикација „Хр“ (Ц1) на ЛЕД дисплеју светли и на дигиталном дисплеју (Л) се појављује „00“; у року од 5 секунди, требало би да притиснете тастер тајмера (Ц) да бисте изабрали жељено време за искључивање уређаја. Након подешавања тајмера, време ће се приказати 5 секунди и укључит ће се индикатор „Хр“ (Ц1). Уређај ће се аутоматски искључити након истека времена подешавања. Распон тајмера је од 1 до 24 сата са интервалом од 1 сата.

6. Додатно дугме за начин рада вентилатора (Д) треба притиснути за активну или реактивну циркулацију ваздуха поред рада вентилатора. Када је овај режим вентилатора укључен за додатну циркулацију ваздуха, режим одвлаживања је искључен.

7. Дугме за закључавање за децу (Е) треба притиснути и задржати 3 секунде да бисте чули звук који потврђује улазак у дугмад за закључавање, тренутно притискање било ког дугмета није важеће. Тренутно је укључено и дугме за закључавање за децу. Да бисте искључили тастатуру, поново притисните дугме за закључавање за децу (Е) и држите је 3 секунде да бисте чули звук који потврђује отказивање стања закључавања тастера.

8. Тастером за брзину вентилатора (Ф) може се управљати када се уређај пребаци у режим вентилатора (Д) или уобичајени режим одвлаживања (Б1). Притисните дугме брзине вентилатора (Ф) да бисте изабрали између мале или велике брзине. Прикладни индикатор ће светлити (Ф1 или Ф2).

9. Дугме режима спавања (Г) треба притиснути да бисте искључили све остале лампице индикатора, осим режима спавања.

Притисните било које дугме да бисте видели раније постављене функције на контролној табли. Након 5 секунди наставља се рад режима спавања. Да бисте отказали режим спавања, поново притисните тастер режима спавања (Г).

10. Притисните поново прекидач за напајање (А) да бисте искључили уређај, апарат уређаја престаје да ради.

Сервис резервоара за воду

1. Ако је резервоар за воду (3) пун или резервоар за воду (3) није инсталиран у исправном положају, на контролној табли (1) светли индикација пуног резервоара за воду (К). Уређај ће се понављати звуковима аларма, лампица индикатора влажности (10) почиње да трепери црвеном бојом.
2. Када индикаторска лампица пуног резервоара за воду (К) трепће, компресор инсталиран у машини се зауставља тако да не кондензује воду док резервоар за воду није празан или постављен у правилан положај, али вентилатор и даље ради.
3. Да бисте уклонили резервоар за воду (3), придржавајте бокове резервоара за воду и извучите га. Не демонирајте пловак (6) из резервоара за воду (3). Погледајте слику 3.
4. Да бисте испразнили резервоар за воду (3), нагните га као што је приказано на слици 5 и полако испуштајте воду. Затим вратите резервоар за воду (3) у одвлаживач.

Континуирана функција дренаже

1. Ако вам је потребно дужи време одвлаживање ваздуха, можете користити функцију непрекидне дренаже.
 2. Повуците гумени чеп (11), а затим уметните прикључено црево за непрекидно одвод (7) као на слици 2.
 3. По завршетку континуираног пражења, вратите гумени чеп (11) и искључите уређај.
- Непрекидно одводно црево: дужина: 30 цм, унутрашњи пречник: 17 мм, спољни пречник: 19 мм.

Чишћење и одржавање

1. Искључите јединицу и ископчајте утикач из струје пре почетка чишћења или другог редовног одржавања.
2. Да бисте избегли ризик од струјног удара, никада не прскајте или просипајте воду на одвлаживач ваздуха током чишћења.
3. Искључите уређај и испразните воду из резервоара за воду пре него што преместите уређај. Држите ручку док се крећете.
4. Обришите кућиште о уређаја мокром крпом.
5. Не демонирајте пловак (6) из резервоара за воду (3).
6. Пре планираног континуираног дуготрајног рада, потребна је периодична провера, посебно мрежног филтера за ваздух (8), филтера са активним угљем (12) и одводног црева (7), или слично.
7. Да бисте очистили или заменили филтере:
 - одвојите утикач и извадите резервоар за воду (3),
 - уклоните кућиште филтера (9) како је приказано на слици 4,
 - уклоните мрежести филтер (8) са кућишта и нежно уклоните филтер са активним угљем (12)
 - очистите оба филтера сваке две недеље усисивачем. Перформансе одвлаживања могу се смањити када су филтери зачепљени остацима.
 - ставите филтере у кућиште филтера (9) и ставите их у кућиште уређаја.
8. Не чистите уређај бензином, разређивачем или течним детерџентом.

ТЕХНИЧКИ ПОДАЦИ:

Капацитет одвлаживања на 30 ° Ц / 80% РХ): 10 литара / 24 сата

Капацитет одвлаживања на 27 ° Ц / 60% РХ): 5 литара / 24 сата

Ниво буке: <= 45дБ

Капацитет резервоара за воду: 2,2 литра

Проток ваздуха: 120 м³ / сат

Тежина расхладне течности Р290: макс. 35 грама

Снага улазне снаге: 200В

Макс. Снага улазне снаге: 245В

Напајање: 220-240В ~ 50Хз



Опрез, опасност од пожара

НЕ бушите и не палите.

Имајте на уму да расхладно средство можда не садржи мирис.

Максимална количина пуњења расхладног средства: 35г.



За заштиту животне средине: молимо вас да одвојите картонске кутије и пластичне кесе и одложите их у одговарајуће канте за смеће. Коришћени уређај треба да буде испоручен на наменске сакупљане тачке због оштрих компоненти, што може утицати на животну средину. Немојте одлагати овај уређај у заједничку корпу за отпатке.

SVENSKA

ALLMÄNNAN SÄKERHETS villkor

VIKTIGA SÄKERHETSINSTRUKTIONER LÄS NU OCH SPARA FÖR FRAMTID

1. Läs bruksanvisningen innan du använder enheten och följ instruktionerna i den.
- Tillverkaren ansvarar inte för skador orsakade av att använda enheten i strid med dess avsedda syfte eller felaktig användning.

2. Enheten är endast avsedd för hemmabruk. Använd inte för andra ändamål som inte är avsedda för det.
3. Enheten ska endast anslutas till ett vägguttag med ett jordat 220 240V ~ 50Hz. För att öka driftsäkerheten bör flera elektriska enheter inte anslutas till en strömkrets samtidigt.
4. Var försiktig när du använder enheten när barn är i närheten. Låt inte barn leka med enheten, låt inte barn eller personer som inte känner till enheten använda den.
5. **WARNING:** Denna utrustning får användas av barn över 8 år och personer med begränsad fysisk, sensorisk eller mental förmåga, eller personer som inte har erfarenhet eller kunskap om utrustningen, om detta görs under övervakning av en ansvarig person för deras säkerhet eller har fått dem information om säker användning av enheten och är medvetna om farorna med att använda den. Barn ska inte leka med utrustningen. Rengöring och underhåll av enheten bör inte utföras av barn, såvida de inte är över 8 år gamla och dessa aktiviteter utförs under övervakning.
6. Koppla alltid ur nätkontakten genom att hålla uttaget med handen efter användning. Dra inte i nätsladden.
7. Sänk inte ned kabeln, kontakten och hela enheten i vatten eller någon annan vätska. Utsätt inte enheten för atmosfäriska förhållanden (regn, sol, etc.) eller användning vid förhållanden med hög luftfuktighet (badrum, fuktiga husbilar).
8. Kontrollera regelbundet nätkabelns tillstånd. Om nätsladden är skadad bör den bytas ut av en specialistverkstad för att undvika fara.
9. Använd inte apparaten med en skadad nätsladd eller om den har tappats eller skadats på något annat sätt eller om den inte fungerar korrekt. Reparera inte enheten själv eftersom det finns risk för elektrisk stöt. Ta den skadade enheten till ett lämpligt servicecenter för kontroll eller reparation. Alla reparationer får endast utföras av auktoriserade servicepunkter. Felaktigt utförda reparationer kan orsaka allvarlig fara för användaren.
10. Placera enheten på en sval, stabil yta, borta från heta köksapparater som: elektrisk spis, gasbrännare, etc.
11. Se till att ingenting blockerar luftinloppet och utloppet på enheten
12. Använd enheten endast på en jämn yta för att förhindra att kondensen spinner ut
13. För att ge ytterligare skydd rekommenderas det att installera en restströmsenhet (RCD) i den elektriska kretsen med en nominell restström som inte överstiger 30 mA. Fråga en elektriker för detta.
14. Rengör luftfiltret regelbundet. Rengöringsfrekvensen beror på luftens renhet.
15. När du har stängt av maskinen, vänta minst 5 minuter innan du slår på den igen.
16. För effektiv avfuktning bör ett gap på minst 20 cm användas mellan enhetens sidoväggar och de komprimerade möblerna eller gardinerna.
17. Spraya inte torktumblaren för att undvika risken för brand eller explosion
18. Placera inte avfuktaren nära värmeenheter för att använda husdelarna.
19. Ta bort vattnet som samlats upp i tanken. Att oavsiktligt dricka vatten eller använda det med andra människor kan orsaka sjukdom.

20. Stöder inte enheter med bakstycket borttaget på grund av rörliga och heta delar.
21. Använd inte något sätt för att utföra upptinings- eller driftsprocessen annat än de som rekommenderas av tillverkaren.
22. Enheten bör vara tillgänglig som en del av en permanent lista över antändningskällor, dvs utan öppen låga, utan en arbetsgasanordning eller utan en arbetsapparatvärmare.
23. Gör inte hål eller rök inte.
24. Observera att kyltillverkarna kanske inte innehåller doft.

Före första användningen:

1. Avfuktaren måste användas på en plan och stabil yta, hålla avstånd mellan enhet och andra föremål enligt bild 1 för att säkerställa lämplig effektivitet. Stäng alla fönster och dörrar i rummet du vill avfukta luften.
 2. Använd inte avfuktaren och dräneringsslangen vid omgivningstemperatur under 0 ° C för att förhindra att vattnet fryser.
 3. Använd inte avfuktaren utanför. Exponering för direkt solljus eller regn kan leda till överhettning, elektrisk stöt och eld.
 4. Lagg inte vattentanken på avfuktaren för att undvika att vatten spill i enheten inuti och försämrar isoleringen.
 5. Försök aldrig använda avfuktaren för speciellt bruk, till exempel avfuktning eller konservering av konstföremål eller liknande.
 6. Använd inte avfuktaren där olja eller brännbar gas kan läcka ut. Använd inte enheten på platser som är kemiska.
 7. För kontinuerlig dränering, se till att dräneringsslangen är korrekt inställd med lutning.
 8. Var försiktig så att en värmeapparat inte utsätts för vinden från avfuktaren.
 9. Använd inte avfuktaren som en stol eller en fotpall.
 10. Ta inte bort flottörspaken från vattentanken.
 11. Blockera inte luftintag och luftuttag.
 12. Täck inte enheten med tvättade kläder.
- Före kontinuerlig drift under lång tid krävs periodisk kontroll speciellt för luftreningsfiltret, dräneringsslangen eller liknande.

Produktbeskrivning: CR7851 Luftavfuktare

- | | |
|---------------------------------------|----------------------|
| 1. Kontrollpanel | 2. Luftintag |
| 3. Vattentank 2,2L | 4. Luftutlopp |
| 5. Handtag | 6. Flytare |
| 7. Avtappningsslang | 8. Luftfilter i nät |
| 9. Filterhus | 10. Fuktdikatorlampa |
| 11. Gummipropp för dräneringsfunktion | 12. Aktivt kolfilter |

Kontrollpanel

- | | |
|---|---|
| A. Strömbrytare | B. Lägesknapp |
| B1. Vanlig avfuktninglägesindikator | B2. Indikator för kontinuerlig avfuktningläge |
| B3. Indikator för stark avfuktningläge | B4. Indikator för klädtorkningsläge |
| C. Timer 0-24 timmar-knapp | C1. Tidsenhetsindikator |
| D. Ytterligare fläktlägesknapp / indikator | E. Barnlåsknapp / indikator |
| F. Knapp för fläkthastighet | F1. Indikator för låg fläkthastighet |
| F2. Hög fläkthastighetsindikator | G. Viloläge-knapp / indikator |
| H. Inställningsknapp för luftfuktighet 30-80% relativ luftfuktighet | H1. Luftfuktighetsindikator |
| J. Indikator för avfrosthingsläge | K. Indikator för full vattentank |
| L. Digital visning av fuktighet och timer | |

Effektivitet

1. Apparaten utför automatiskt avfrostning med jämna mellanrum beroende på rumstemperaturen.
 - a) Om rumstemperaturen är lika med eller överstiger 24 ° C avbryts avfrostningen.
 - b) Om rumstemperaturen är 18 ° C -24 ° C aktiveras avfrostningen i 5 minuter efter var 120: e minut avfuktning.
 - c) Om rumstemperaturen är 12 ° C -18 ° C aktiveras avfrostningen i 5 minuter efter var 25: e minut avfuktning.
 - d) Om rumstemperaturen är 5 ° C -12 ° C aktiveras avfrostningen i 5 minuter efter var 20: e minut av avfuktning.
2. Under avfrostningen kan avfuktningfunktionen kopplas in.
3. Stäng inte av strömbrytaren och dra inte ut luftkontakten på avfuktaren under avfrostningen.
4. Denna avfuktare kan inte användas för att hålla extremt låg temperatur. Avfuktarens funktion är att pumpa av den obehagliga, höga luftfuktigheten.

Avfuktningsskapacitet

1. Denna avfuktare har ingen kylfunktion. Det producerar värme under operationen och ökar rumstemperaturen med 1-4 ° C.
2. Avfuktarens dagliga avfuktningsskapacitet beror på rumstemperatur och relativ fuktighet. Vid olika temperaturer och relativ fuktighet kan den ha olika avfuktningsskapacitet.

3. Vid samma rumstemperatur är avfuktningsskapaciteten högre vid högre relativ luftfuktighet och avfuktningsskapaciteten är lägre vid lägre relativ fuktighet. Vid samma relativa fuktighet är avfuktningsskapaciteten högre vid högre temperatur och avfuktningsskapaciteten är lägre vid lägre temperatur.
4. Om avfuktaren placeras i skåpet kan dess avfuktningsskapacitet kraftigt minska på kort tid efter användning på grund av att luftfuktigheten i skåpet har minskat kraftigt.
5. För 5 ° C / 10 ° C / 15 ° C / 20 ° C / 25 ° C / 30 ° C av rumstemperatur och 80% av relativ luftfuktighet är avfuktningsskapaciteten cirka 2/4/6/8/10 liter vatten när luftutsläppet är helt öppet.

Luftfuktighetsindikatorlampa (10)

Under drift visar fuktindikatorlampan aktuell luftfuktighetsnivå i rummet:

- Blå färg betyder låg luftfuktighet under 50% relativ luftfuktighet
- Grön färg betyder medel luftfuktighet i intervallet 51-69% relativ luftfuktighet
- Röd färg betyder hög luftfuktighet över 70% relativ luftfuktighet

Observera att det relativa luftfuktighetsvärdet har fått 3% tolerans när motsvarande indikatorlampa tänds.

Drift

1. Placera maskinenheten upprätt för att undvika felaktig användning och ovanligt ljud. Håll avstånd mellan andra objekt som visas på bild 1. Anslut enheten.

2. På strömbrytaren (A) på kontrollpanelen (1) ska du trycka på för att slå på enheten. Den digitala displayen (L) visar den aktuella luftfuktighetsnivån i rummet.

3. Modeknappen (B) ska tryckas igen för att välja önskat driftläge mellan:

B1. Vanligt avfuktningssläge

När du väljer detta läge tänds indikatorn B1.

B2. Kontinuerligt avfuktningssläge

När du väljer detta läge tänds indikatorn B2.

B3. Starkt avfuktningssläge

När du väljer detta läge tänds indikatorn B3.

B4. Klädtorkningssläge

När du väljer detta läge tänds indikatorn B4.

4. Fuktighetsinställningsknappen (H) ska tryckas in igen för att ställa in önskad luftfuktighet mellan 30-80% med 5% justeringsfaktor.

Luftfuktighetsinställningen gäller endast under vanligt avfuktningssläge (B1). Efter inställd önskad rumsfuktighet blinkar den digitala displayen (L) för att komma ihåg det och enheten börjar fungera. Nästa vid den digitala displayen (L) visas nuvarande luftfuktighet. Det är nödvändigt att ställa in önskad luftfuktighet på lägre nivå än nuvarande luftfuktighet, annars startar inte enheten avfuktning. När den relativa luftfuktigheten i rummet är lika med den tidigare relativa luftfuktigheten på displayen stänger apparaten automatiskt av kompressorn, avfuktaren stannar, bara fläkten fungerar.

5. Timerknapp (C) har två funktioner:

DELAY START-funktion

Timern kan ställas in när enheten är avstängd. Tryck på timer-knappen (C): "Hr" -indikatorn (C1) på LED-displayen tänds och "00" visas på den digitala displayen (L); inom 5 sekunder ska du trycka på timer-knappen (C) för att välja önskad tid när enheten måste slå på. När timern har ställts in visas tiden i 5 sekunder, "Hr" -indikatorn (C1) lyser. Enheten slås på automatiskt efter inställd tid.

Ställa in timerfunktionen OFF - DELAY STOP

Timer av-funktionen kan ställas in när enheten är i påslagen status. Tryck på timer-knappen (C): "Hr" -indikationen (C1) på LED-displayen tänds och "00" visas på den digitala displayen (L); inom 5 sekunder ska du trycka på timer-knappen (C) för att välja önskad tid för att enheten ska stängas av. När timern är inställd visas tiden i 5 sekunder och "Hr" -indikatorn (C1) tänds. Enheten stängs av automatiskt efter inställd tid.

Timerintervallet är från 1 till 24 timmar med ett intervall på 1 timme.

6. Ytterligare fläktlägesknapp (D) ska tryckas till aktiv eller reaktiv luftcirkulation utöver fläktdrift. När detta fläktläge är påslaget för extra luftcirkulation är avfuktningssläget avstängt.

7. Barnlåsknappen (E) ska hållas intryckt i 3 sekunder för att höra ljudet som bekräftar inmatning av knapparna för att låsa tillstånd, vid denna tidpunkt är att trycka på valfri knapp ogiltig. Barnspärrknappen lyser också vid denna tidpunkt. För att stänga av knapplåset, tryck på barnlåsknappen (E) igen och håll den intryckt i 3 sekunder för att höra ljudet som bekräftar avbryta knapplåsetillståndet.

8. Knapp för fläkthastighet (F) kan manövreras när enheten växlar till fläktläge (D) eller vanligt avfuktningssläge (B1). Tryck på

fläkthastighetsknappen (F) för att välja mellan låg eller hög hastighet. Den lämpliga indikatorn tänds (F1 eller F2).

9. Knappen för viloläge (G) ska tryckas in för att stänga av alla andra indikatorlampor utom viloläge. Tryck på valfri knapp för att se tidigare inställningsfunktioner på kontrollpanelen. Efter 5 sekunder fortsätter driften av viloläget. För att avbryta viloläge, tryck på viloläge-knappen (G) igen.

10. Tryck på strömbrytaren (A) igen för att stänga av enheten, enheten slutar gå.

Vattentank service

1. Om vattentanken (3) är full eller vattentanken (3) inte är installerad i rätt läge, tänds indikatorn för full vattentank (K) vid kontrollpanelen

(1). Enheten kommer att ge upprepade larm ljud, fuktindikatorlampan (10) börjar blinka i röd färg.

2. När indikatorlampan för full vattentank (K) blinkar stannar kompressorn installerad inuti maskinen så att den inte kondenserar vatten

förän vattentanken är tom eller ställd i rätt läge, men fläkten fortsätter att gå.

3. För att ta bort vattentanken (3) vänligen håll i vattentankens sidor och dra ut den. Demontera inte flottören (6) från vattentanken (3). Titta på bild 3.

4. För att tömma vattentanken (3) lutar du den som visas på bild 5 och dränerar vattnet långsamt. Sätt sedan tillbaka vattentanken (3) i avfuktaren.

Kontinuerlig dräneringsfunktion

1. Om du behöver avfukta luften under lång tid kan du använda funktionen för kontinuerlig dränering.

2. Dra i gummiproppen (11) och sätt sedan i den anslutna kontinuerliga avloppsslangen (7) som på bild 2.

3. När du har avslutat den kontinuerliga tömningen, sätt tillbaka gummiproppen (11) och stäng av enheten.

Kontinuerlig avloppsslang: längd: 30 cm, innerdiameter: 17 mm, utvärdig diameter: 19 mm.

Städning och underhåll

1. Stäng av enheten och koppla bort strömkontakten innan du påbörjar rengöring eller annat rutinunderhåll.

2. För att undvika risken för elektrisk stöt, strö eller spill aldrig vatten på avfuktaren vid rengöring.

3. Stäng av enheten och töm vattnet ur vattentanken innan du flyttar enheten. Var noga med att hålla i handtaget medan du rör dig.

4. Torka av höljet o med våt trasa.

5. Demontera inte flottören (6) från vattentanken (3).

6. Före planerad kontinuerlig drift under lång tid krävs periodisk kontroll speciellt för nätlufffiltret (8), aktivt kolfilter (12) och avloppsslangen (7) eller liknande.

7. För att rengöra eller byta ut filtren:

- koppla ur kontakten och ta ut vattentanken (3),

- ta bort filterhuset (9) som visas i figur 4,

- ta bort nätlufffiltret (8) från huset och ta bort det aktiva kolfiltret (12)

- rengör båda filtren varannan vecka med en dammsugare. Avfuktningseffekt kan minska när filtren är igensatta med skräp.

- sätt in filtren inuti filterhuset (9) och sätt in dem i apparatens hus.

8. Rengör inte enheten med bensin, tunnare eller flytande tvättmedel.

TEKNISK DATA:

Avfukta kapacitet vid 30 ° C / 80% RH): 10 liter / 24 timmar

Avfukta kapacitet vid 27 ° C / 60% RH): 5 liter / 24 timmar

Ljudnivå: <= 45dB

Vattentankens kapacitet: 2,2 liter

Luffflöde: 120 m3 / timme

R290 kylvätska vikt: max. 35 gram

Rättad ingångseffekt: 200W

Max. Rättad ingångseffekt: 245W

Strömförsörjning: 220-240V ~ 50Hz



Varning, risk för brand.

Gör INTE igenom eller bränna.

Var medveten om att köldmediet kanske inte innehåller en lukt.

Maximalt köldmediumsbelopp: 35 g.



Vi sköter om miljön. Överlämna förpackningar i kartong till pappersavfall. Polyetylensäckar (PE) slängs i avfallsbehållare för plast. Man bör lämna en gammal apparat till en riktig återvinningscentral, eftersom farliga komponenter i apparaten kan orsaka fara till miljön. En elektrisk apparat bör lämnas för att minska förnyad användning av denna. Om apparaten innehåller batterier, bör man ta bort dem och lämna dem separat till återvinningscentraler.

УКРАЇНСЬКА

ЗАГАЛЬНІ УМОВИ БЕЗПЕКИ

ВАЖЛИВІ ІНСТРУКЦІЇ З БЕЗКОШТОВНОСТІ ЧИТАЙТЕ ДУЖКО І ЗАБЕЗПЕЧЕННЯ ДЛЯ БУДУЩЕГО

1. Перш ніж користуватися пристроєм, прочитайте посібник з експлуатації та дотримуйтесь інструкцій, що містяться в ньому. Виробник не несе відповідальності за збитки, спричинені використанням пристрою всупереч його передбачуваному призначенню або неправильній експлуатації.
2. Пристрій призначений лише для домашнього використання. Не використовуйте для інших цілей, які не призначені за призначенням.
3. Пристрій слід підключати лише до розетки змінного струму із заземленим 220-240 В

~ 50 Гц. Для підвищення експлуатаційної безпеки кілька електричних пристроїв не повинні підключатися одночасно до одного ланцюга струму.

4. Будьте дуже обережні, коли користуєтесь пристроєм, коли діти поруч. Не дозволяйте дітям грати з пристроєм, не дозволяйте дітям або людям, незнайомим пристроєм, користуватися ним.

5. **ПОПЕРЕДЖЕННЯ:** Цим обладнанням можуть користуватися діти старше 8 років та люди з обмеженими фізичними, сенсорними або розумовими здібностями, або люди, які не мають досвіду чи знань щодо обладнання, якщо це робиться під наглядом відповідальної особи. Для їх безпеки або надано їм інформацію про безпечне користування пристроєм та знають про небезпеку його використання. Діти не повинні грати з обладнанням. Чищення та обслуговування приладу не повинно здійснюватися дітьми, якщо вони не перевищують 8 років і ці заходи проводяться під наглядом.

6. Завжди від'єднуйте шнур живлення, тримаючи розетку рукою після використання. НЕ тягніть за шнур живлення.

7. Не занурюйте кабель, вилку та весь пристрій у воду або будь-яку іншу рідину. Не піддавайте прилад атмосферним умовам (дощ, сонце тощо) і не використовуйте в умовах підвищеної вологості (ванні кімнати, вологі мобільні будинки).

8. Періодично перевіряйте стан шнура живлення. Якщо шнур живлення пошкоджений, його слід замінити в спеціалізованому ремонтному центрі, щоб уникнути небезпеки.

9. Не використовуйте прилад із пошкодженим шнуром живлення або якщо він був випав або пошкоджений будь-яким іншим способом або якщо він не працює належним чином. Не ремонтуйте пристрій самостійно, оскільки є ризик ураження електричним струмом. Віднесіть пошкоджений пристрій у відповідний сервісний центр для перевірки чи ремонту. Всі ремонти можуть проводити тільки авторизовані сервісні пункти. Неправильно виконаний ремонт може становити серйозну небезпеку для користувача.

10. Поставте прилад на прохолодну стійку поверхню, подалі від гарячих кухонних приладів, таких як: електрична плита, газовий конфорка тощо.

11. Переконайтесь, що ніщо не блокує вхід і вихід повітря в пристрій

12. Використовуйте пристрій лише на рівній поверхні, щоб запобігти розливу конденсату

13. Для забезпечення додаткового захисту доцільно встановити в електричному ланцюзі пристрій залишкового струму (RCD) з номінальним залишковим струмом, що не перевищує 30 мА. Запитайте про це електрика.

14. Регулярно чистіть повітряний фільтр. Частота очищення залежить від чистоти повітря.

15. Після вимкнення машини зачекайте принаймні 5 хвилин, перш ніж увімкнути її.

16. Для ефективного осушення повітря слід використовувати зазор не менше 20 см між бічними стінками приладів та стисненими меблями чи шторами.

17. Щоб уникнути небезпеки пожежі чи вибуху, не розпилюйте сушарку

18. Щоб використовувати деталі корпусу, не ставте осушувач біля опалювальних приладів.

19. Видалить зібрану в бачку воду. Випадкове пиття води або вживання її з іншими людьми може спричинити захворювання.
20. Не підтримує пристрої із знятою задньою кришкою через рухомі та гарячі частини.
21. Не використовуйте жодних засобів для відтавання та експлуатації, окрім рекомендованих виробником.
22. Пристрій має бути доступним у складі постійного списку джерел займання, тобто без відкритого полум'я, без робочого газового пристрою або без нагрівача робочого пристрою.
23. Не проколюйте і не паліть.
24. Зверніть увагу, що виробники холодильників можуть не містити аромат.

Перед першим використанням:

1. Осушувач повинен використовуватися на рівній і стійкій поверхні, зберігати відстані між одиницею та іншими предметами відповідно до малюнка 1, щоб забезпечити належну ефективність. Закрийте всі вікна та двері кімнати, в якій ви хочете осушити повітря.
2. Щоб запобігти замерзанню води, не використовуйте осушувач і зливний шланг при температурі навколишнього середовища нижче 0 ° C
3. Не використовуйте осушувач зовні. Вплив прямих сонячних променів або дощу може призвести до перегріву, ураження електричним струмом і пожежі.
4. Не ставте резервуар з водою на осушувач, щоб уникнути потрапляння води в пристрій всередині і погіршити ізоляцію.
5. Ніколи не намагайтеся використовувати осушувач повітря для спеціального використання, наприклад, для зневоднення харчових продуктів або збереження предметів мистецтва тощо.
6. Не використовуйте осушувач повітря там, де може відбуватися витік нафти або горючих газів. Не використовуйте прилад у місцях, в яких потрапляють хімічні речовини.
7. Для постійного зливу переконайтеся, що зливний шланг встановлений правильно з ухилом.
8. Будьте уважні, щоб опалювальний прилад не піддавався вітру від осушувача повітря.
9. Не використовуйте осушувач повітря як стілець або підніжку.
10. Не знімайте важіль поплавця з ємності з водою.
11. Не перекривайте повітрязабірники та повітропроводи.
12. Не накривайте прилад пральним одягом.

Перед постійною експлуатацією протягом тривалої періодики необхідна періодична перевірка, особливо для фільтра очищення повітря, зливного шланга тощо.

Опис товару: Осушувач повітря Cг7851

- | | |
|---|-----------------------------------|
| 1. Панель управління | 2. Впуск повітря |
| 3. Бак для води 2,2 л | 4. Випуск повітря |
| 5. Ручка | 6. Поплавок |
| 7. Зливний шланг | 8. Сітчастий повітряний фільтр |
| 9. Корпус фільтра | 10. Індикатор вологості |
| 11. Гумова пробка для дренажної функції | 12. Фільтр з активованим вугіллям |

Панель управління

- | | |
|---|---|
| A. Кнопка живлення | B. Кнопка режиму |
| V1. Звичайний індикатор режиму осушення | V2. Індикатор режиму безперервного зволоження |
| V3. Індикатор режиму сильного осушення | V4. Індикатор режиму сушіння одягу |
| C. Кнопка таймера 0-24 години | S1. Індикатор одиниці часу |
| D. Кнопка / індикатор додаткового режиму роботи вентилятора | E. Кнопка / індикатор блокування від дітей |
| F. Кнопка швидкості вентилятора | F1. Індикатор низької швидкості обертання вентилятора |
| F2. Індикатор швидкості обертання вентилятора | G. Кнопка / індикатор режиму сну |
| H. Кнопка налаштування вологості 30-80% відносної вологості | H1. Індикатор вологості |
| J. Індикатор режиму розморожування | K. Індикатор повного резервуару для води |
| L. Цифровий дисплей вологості та таймера | |

Ефективність

1. Прилад автоматично здійснює розморожування через рівні проміжки часу відповідно до кімнатної температури.
- a) Якщо температура в приміщенні дорівнює або перевищує 24 ° C, розморожування припиняється.
- b) Якщо кімнатна температура становить 18 ° C -24 ° C, розморожування включають протягом 5 хвилин через кожні 120 хвилин

- осушення.
- в) Якщо кімнатна температура становить 12 ° C -18 ° C, розморожування вмикається на 5 хвилин після кожних 25 хвилин осушення.
- г) Якщо кімнатна температура становить 5 ° C -12 ° C, розморожування включається на 5 хвилин через кожні 20 хвилин осушення.
2. Під час операції розморожування функція осушення може бути припинена.
 3. Будь ласка, не вимикайте перемикач та не виймайте штепсель осушувача під час розморожування.
 4. Цей осушувач не може застосовуватися для підтримки екстремально низьких температур. Функція цього осушувача полягає у відкачуванні неприємної високої вологості.

Осушувальна здатність

1. Цей осушувач не має функції охолодження. Він буде виробляти тепло під час роботи та підвищувати температуру в приміщенні на 1-4 ° C.
2. Щоденна осушувальна здатність осушувача залежить від кімнатної температури та відносної вологості. При різних температурах та відносній вологості повітря може мати різну осушувальну здатність.
3. При одній і тій же температурі в приміщенні осушувальна здатність вища при більшій відносній вологості, а осушувальна здатність нижча при меншій відносній вологості. При тій же відносній вологості, осушувальна здатність вища при вищій температурі, а осушувальна здатність нижча при нижчій температурі.
4. Якщо осушувач розміщений у шафі, його осушувальна здатність може сильно зменшитися через короткий період після експлуатації через те, що вологість у шафі сильно знижена.
5. Для 5 ° C / 10 ° C / 15 ° C / 20 ° C / 25 ° C / 30 ° C кімнатної температури та 80% відносної вологості зволожуюча здатність відповідно становить близько 2/4/6/8/10 літрів води, коли вихід повітря повністю відкритий.

Індикатор вологості (10)

Під час роботи індикатор вологості показує поточний рівень вологості в приміщенні:

- Синій колір означає низьку вологість повітря нижче 50% відносної вологості
- Зелений колір означає середню вологість в межах 51% - 69% відносної вологості
- Червоний колір означає високу вологість понад 70% відносної вологості

Зверніть увагу, значення відносної вологості має допуск 3%, коли загоряється відповідний індикатор.

Операція

1. Будь ласка, поставте блок машини вертикально, щоб уникнути неправильної роботи та незвичного звуку. Зберігайте відстань між іншими об'єктами, як показано на малюнку 1. Підключіть пристрій до мережі.
2. Щоб увімкнути пристрій, слід натиснути перемикач живлення (A) на панелі керування (1). На цифровому дисплеї (L) відобразиться рівень вологості в приміщенні.
3. Натисніть кнопку режиму (B) ще раз, щоб вибрати бажаний режим роботи між:
V1. Звичайний режим осушення
При виборі цього режиму загориться індикатор V1.
V2. Режим безперервного зволоження
При виборі цього режиму загориться індикатор V2.
V3. Сильний режим осушення
При виборі цього режиму загориться індикатор V3.
V4. Режим сушіння одягу
При виборі цього режиму загориться індикатор V4.
4. Кнопку налаштування вологості (H) слід натиснути ще раз, щоб встановити бажану вологість приміщення між 30-80% з 5% коефіцієнтом регулювання. Налаштування вологості дійсне лише в режимі звичайного осушення (V1). Після встановлення необхідної вологості в приміщенні цифровий дисплей (L) блиматиме, щоб запам'ятати його, і пристрій почне працювати. Далі на цифровому дисплеї (L) відображається присутня вологість приміщення. Потрібно встановити необхідну вологість у приміщенні на нижчому рівні, ніж існуюча вологість у приміщенні, інакше пристрій не почне осушення. Коли відносна вологість у приміщенні дорівнює рівню відносної вологості, встановленому раніше на дисплеї, пристрій автоматично вимкне компресор, осушувач зупиниться, працюватиме лише вентилятор.
5. Кнопка таймера (C) виконує дві функції:
Функція ЗАТРИМКА запуску
Таймер можна встановити, коли пристрій перебуває у вимкненому стані. Натисніть кнопку таймера (C): на світлодіодному дисплеї загоряється індикатор "Hr" (C1), а на цифровому дисплеї (L) з'являється "00"; протягом 5 секунд слід натиснути кнопку таймера (C), щоб вибрати бажаний час, коли пристрій повинен увімкнутись. Після встановлення таймера час відобразиться протягом 5 секунд, світитись індикатор "Hr" (C1). Пристрій увімкнеться автоматично після закінчення часу налаштування.
Встановлення функції ВИМКНЕННЯ таймера - ЗАТРИМКА СТОПУ
Функцію вимкнення таймера можна встановити, коли пристрій перебуває в стані увімкнення. Натисніть кнопку таймера (C): на світлодіодному дисплеї загоряється індикація "Hr" (C1), а на цифровому дисплеї (L) з'являється "00"; протягом 5 секунд слід натиснути кнопку таймера (C), щоб вибрати бажаний час вимкнення пристрою. Після встановлення таймера час відобразиться протягом 5 секунд, а індикатор "Hr" (C1) увімкнеться. Пристрій автоматично вимкнеться після закінчення часу налаштування.

Діапазон таймерів становить від 1 до 24 годин з 1-годинним інтервалом.

6. Додаткову кнопку режиму роботи вентилятора (D) слід натиснути для активної або реактивної циркуляції повітря на додаток до роботи вентилятора. Коли цей режим вентилятора ввімкнено для додаткової циркуляції повітря, режим осушення вимикається.
7. Кнопку блокування від дітей (E) слід натиснути та утримувати протягом 3 секунд, щоб почути звук, що підтверджує вхід кнопок у режим блокування, на даний момент натискання будь-якої кнопки недейсне. У цей час також світиться кнопка блокування від дітей. Щоб вимкнути стан блокування кнопок, натисніть кнопку блокування від дітей (E) ще раз і утримуйте її протягом 3 секунд, щоб почути звук, що підтверджує скасування стану блокування кнопок.
8. Кнопкою швидкості обертання вентилятора (F) можна керувати, коли пристрій переходить у режим вентилятора (D) або звичайний режим осушення (B1). Натисніть кнопку швидкості обертання вентилятора (F), щоб вибрати між низькою та високою швидкістю. Підійде відповідний індикатор (F1 або F2).
9. Кнопку режиму сну (G) слід натиснути, щоб вимкнути всі інші індикатори, крім режиму сну. Натисніть будь-яку кнопку, щоб побачити раніше налаштовані функції на панелі управління. Через 5 секунд робота режиму сну буде продовжена. Щоб скасувати режим сну, натисніть кнопку сну (G) ще раз.
10. Знову натисніть вимикач живлення (A), щоб вимкнути пристрій, апарат блокує роботу.

Обслуговування резервуара для води

1. Якщо резервуар для води (3) заповнений або резервуар для води (3) встановлений не у правильному положенні, на панелі управління (1) загоряється індикатор повного резервуару для води (K). Пристрій видаватиме повторні звукові сигнали тривоги, індикатор вологості (10) почне блимати червоним кольором.
2. Коли блимає індикатор повного бака для води (K), компресор, встановлений всередині машини, зупиняється, щоб не конденсувати воду, доки резервуар для води не спорожниться або не буде встановлений у правильному положенні, але вентилятор продовжує працювати.
3. Щоб зняти резервуар для води (3), будь ласка, утримуйте борти резервуара для води і витягуйте. Не демонуйте поплавець (6) з резервуару для води (3). Подивіться на малюнок 3.
4. Щоб спорожнити резервуар для води (3), нахиліть його, як показано на малюнку 5, і повільно злийте воду. Потім встановіть резервуар для води (3) у осушувачі.

Функція безперервного дренажу

1. Якщо вам потрібно довго зволожувати повітря, ви можете скористатися функцією безперервного дренажу.
 2. Витягніть гумову пробку (11), а потім вставте приєднаний безперервний зливний шланг (7), як на малюнку 2.
 3. Після закінчення безперервного зливу замініть гумову пробку (11) та вимкніть пристрій.
- Зливний шланг безперервної дії: довжина: 30 см, внутрішній діаметр: 17 мм, зовнішній діаметр: 19 мм.



Очищення та обслуговування

1. Вимкніть пристрій та від'єднайте шнур живлення перед початком будь-якого чищення або іншого регулярного обслуговування.
2. Щоб уникнути ризику ураження електричним струмом, ніколи не бризкайте та не проливайте воду на осушувач під час чищення.
3. Перед переміщенням пристрою вимкніть пристрій і злийте воду з резервуара для води. Обов'язково тримайте ручку під час руху.
4. Протріть корпус пристрою мокрою тканиною.
5. Не демонуйте поплавець (6) з резервуару для води (3).
6. До запланованої тривалої безперервної роботи необхідна періодична перевірка, особливо для сітчастого повітряного фільтра (8), фільтра з активним вугіллем (12) та зливного шланга (7) тощо.
7. Для очищення або заміни фільтрів:
 - від'єднайте штекер і вийміть резервуар для води (3),
 - зняти корпус фільтра (9), як показано на малюнку 4,
 - зняти сітчастий фільтр (8) з корпусу та обережно зняти фільтр з активованим вугіллем (12)
 - чистити обидва фільтри кожні два тижні пилососом. Ефективність осушення може зменшитися, якщо фільтри засмічені сміттям.
 - вклядіть фільтри всередину корпусу фільтра (9) і вставте їх у корпус пристрою.
8. Не чистіть пристрій бензином, розріджувачем або рідким миючим засобом.

ТЕХНІЧНІ ДАНІ:

Осушувач при 30 ° C / 80% вологості): 10 літрів / 24 години

Осушувач при 27 ° C / 60% вологості): 5 літрів / 24 години

Рівень шуму: <= 45 дБ

Ємність резервуару для води: 2,2 літра

Потік повітря: 120 м³ / год

Вага охолоджуючої рідини R290: макс. 35 грам

Номинальна вхідна потужність: 200 Вт

Макс. Номинальна вхідна потужність: 245 Вт

Живлення: 220-240 В ~ 50 Гц



Обережність, небезпека пожежі.

НЕ проколюйте та не горіть.

Майте на увазі, що холодоагент може не містити запаху.

Максимальна кількість заряду холодоагенту: 35г.



У интересах навколишнього середовища.

Будь ласка, віддайте картонну упаковку в місце збору мукулатури. Політиленові мішки (PE) викинути в смітник для пластику. Відпрацьований пристрій повинен бути відправлений у відповідну точку зберігання, тому що в пристрої є небезпечні інгредієнти, які можуть становити загрозу навколишньому середовищу. Електричний пристрій потрібно повернути так, щоб обмежити його повторне використання. Якщо у пристрої є батарейки, то потрібно їх витягнути і віддати до відповідного пункту.

македонски

ОПШТИ УСЛОВИ ЗА БЕЗБЕДНОСТ

ВАНИ ИНСТРУКЦИИ ЗА БЕЗБЕДНОСТ ПРОЧИТАЈТЕ Внимателно и заштедете за ИДНИНА

1. Пред да го користите уредот, прочитајте го упатството за работа и следете ги упатствата содржани во него. Производителот не одговара за штети предизвикани од користење на уредот спротивно на наменетата намена или неправилно работење.
2. Уредот е само за домашна употреба. Не користете за други цели што не се за наменетата цел.
3. Уредот треба да се поврзе само со штекер за напојување со заземјен 220 240V ~ 50Hz. За да се зголеми безбедноста во работењето, повеќе електрични уреди не треба да бидат поврзани со едно струјно коло во исто време.
4. Користете голема претпазливост кога го користите уредот кога децата се во близина. Не дозволувајте децата да си играат со уредот, не дозволувајте деца или луѓе кои не се запознати со уредот да го користат.
5. ПРЕДУПРЕДУВАЕ: Оваа опрема може да ја користат деца над 8 години и лица со ограничена физичка, сензорна или ментална способност, или луѓе кои немаат искуство или познавање на опремата, доколку тоа е направено под надзор на одговорно лице за нивната безбедност или им е дадена информација за безбедно користење на уредот и се свесни за опасностите од неговото користење. Децата не треба да си играат со опрема. Чистењето и одржувањето на уредот не треба да го вршат деца, освен ако не се над 8 години и овие активности се вршат под надзор.
6. Секогаш исклучувајте го приклучокот за напојување со држење на штекерот со раката по употребата. НЕ влечете го кабелот за напојување.
7. Не го потовајте кабелот, приклучокот и целиот уред во вода или друга течност. Не го изложувајте го уредот на атмосферски услови (дожд, сонце и слично) или користете во услови на висока влажност (бањи, влажни домови за мобилни телефони).
8. Периодично проверувајте ја состојбата на кабелот за напојување. Ако кабелот за напојување е оштетен, тој треба да се замени со специјализирана продавница за поправка за да се избегне опасност.
9. Не користете го апаратот со оштетен кабел за напојување или ако е испуштен или оштетен на кој било друг начин или ако не работи правилно. Не поправајте го уредот сами, бидејќи постои опасност од електричен удар. Понесете го оштетениот уред во соодветен сервисен центар за проверка или поправка. Сите поправки може да ги извршуваат само овластени сервисни точки. Неправилно извршените поправки можат да предизвикаат сериозна опасност за корисникот.

10. Поставете го уредот на ладна, стабилна површина, подалеку од топли кујнски уреди како што се: електричен шпорет, горилник за гас, итн.
11. Осигурете се дека ништо не го блокира влезот на воздухот и излезот на уредот
12. Користете го уредот само на рамна површина за да спречите излевање на кондензацијата
13. За да се обезбеди дополнителна заштита, препорачливо е да се инсталира уред за преостаната струја (RCD) во електричното коло со номинална преостаната струја што не надминува 30mA. За ова прашајте електричар.
14. Редовно чистете го филтерот за воздух. Фреквенцијата на чистење зависи од чистотата на воздухот.
15. Откако ќе ја исклучите машината, почекајте најмалку 5 минути пред да ја вклучите повторно.
16. За ефикасно дехидрирање, треба да се користи празнина од најмалку 20 см помеѓу страничните wallsидови на уредите и компресираните мебел или завесите.
17. За да избегнете ризик од пожар или експлозија, не испрскајте ја фен
18. За да ги користите деловите за куќиште, не ставајте го дехидрирачот близу уреди за греење.
19. Извадете ја собраната вода во резервоарот. Случајно да се пие вода или да се користи со други луѓе може да предизвика болести.
20. Не поддржува уреди со отстранување на задниот поклопец заради подвижните и топли делови.
21. Не користете средства за да го извршите процесот на одмрзнување или работење, освен оние што ги препорача производителот.
22. Уредот треба да биде достапен како дел од постојан список на извори на палење, т.е. без отворен пламен, без уред за работа со гас или без грејач за работа.
23. Не пирснувај и не пуши.
24. Забележете дека производителите на ладење може да не содржат мирис.

Пред првата употреба:

1. Овластувачот мора да се користи на рамна и стабилна површина, да одржува растојанија помеѓу единицата и другите предмети според слика 1 за да се обезбеди соодветна ефикасност. Затворете ги сите прозорци и вратите од просторијата што сакате да ги дехидрирате воздухот.
2. За да спречите замрзнување на водата, не употребувајте го раздвојувачот и цревото за одвод на околна температура под 0 ° C
3. Не користете го одвлажнувачот надвор. Изложеноста на директна сончева светлина или дожд може да резултира во прегревање, електричен удар и пожар.
4. Не ставајте резервоар за вода на водата за дезинфекција за да избегнете истурање вода во единицата внатре и да ја влоши изолацијата.
5. Никогаш не обидувајте се да го користите дехидрификаторот за специјални намени, на пример, сушење храна или зачувување на уметнички предмети или слично.
6. Не употребувајте го раздвојувачот кога може да се случи истекување на нафта или запалив гас. Не користете ја единицата на места што подлежат на хемикалии.
7. За континуирано одводнување, проверете дали цревото за одвод е поставено правилно со наклон.
8. Бидете внимателни дека апаратот за греење не е изложен на ветрот од задушувачот.
9. Не користете го дехидрирачот како стол или подножје.
10. Не отстранувајте ја рачката на плови од резервоарот за вода.
11. Не блокирајте ги влезовите на воздухот и излезите на воздухот.
12. Не покривајте ја единицата со измена облека.

Пред континуирано работење за долго време, потребно е периодично проверување особено за филтерот за чист воздух, цревото за одвод или слично.

Опис на производот: CR7851 Одвлажнувач за воздух

- | | | | |
|--|-------------------------------------|---------------------------|------------------------------|
| 1. Контролна табла | 2. Влез за воздух | 3. Резервоар за вода 2,2L | 4. Излез за воздух |
| 5. Рачка | 6. Пловец | 7. Црево за одвод | 8. Филтер за воздух со мрежа |
| 9. Куќиште на филтерот | 10. Индикаторско светло за влажност | | |
| 11. Гумен приклучок за дренажна функција | 12. Филтер со активен јаглен | | |

Контролен панел

- | | |
|---|--|
| A. Копче за напојување | V. Копче за режим |
| B1 Индикатор за обичен режим на одvlaжнување | V2. Индикатор за континуиран режим на одvlaжнување |
| B3. Силен индикатор на режимот за одvlaжнување | V4. Индикатор за режим на сушење облека |
| C. Тајмер 0-24 часа копче | S1. Индикатор за временска единица |
| D. Копче / индикатор за дополнителен режим на вентилатор | E. Копче / индикатор за заклучување на дете |
| F. Копче за брзина на вентилаторот | F1. Индикатор за мала брзина на вентилаторот |
| F2. Индикатор за голема брзина на вентилаторот | G. Копче / индикатор за режим на мирување |
| H. Копче за поставување на влажност 30-80% релативна влажност | H1. Индикатор за единица влажност |
| J. Индикатор за режим на одмрзување | K. Индикатор за полн резервоар за вода |
| L. Дигитален приказ на влага и тајмер | |

Ефикасност

- Апаратот автоматски врши одмрзување во редовни интервали во согласност со температурата во просторијата.
 - Ако собната температура е еднаква или надминува $24\text{ }^{\circ}\text{C}$, одмрзувањето се запира.
 - Ако собната температура е $18\text{ }^{\circ}\text{C}$ - $24\text{ }^{\circ}\text{C}$, одмрзувањето се вклучува 5 минути по секои 120 минути одvlaжнување.
 - Ако собната температура е $12\text{ }^{\circ}\text{C}$ - $18\text{ }^{\circ}\text{C}$, одмрзувањето се вклучува 5 минути по секои 25 минути одvlaжнување.
 - Ако собната температура е $5\text{ }^{\circ}\text{C}$ - $12\text{ }^{\circ}\text{C}$, одмрзувањето се вклучува 5 минути по секои 20 минути од одvlaжнување.
- За време на операцијата за одмрзување, функцијата за одvlaжнување може да се прекине.
- Ве молиме, не исклучувајте го прекинувачот или извадете го приклучокот за напојување на одvlaжнувачот за време на операцијата за одмрзување.
- Овој одvlaжнувач не може да се примени за да се задржи екстремно ниска температура. Функцијата на овој одvlaжнувач е да испумпува непријатна, висока влажност.

Капацитет на одvlaжнување

- Овој одvlaжнувач нема функција за ладење. Wille произведе топлина за време на работата и ќе се зголеми собната температура за $1-4\text{ }^{\circ}\text{C}$.
- Дневниот капацитет за одvlaжнување на одvlaжнувачот зависи од собната температура и релативната влажност. На различни температури и релативна влажност, може да има различен капацитет за одvlaжнување.
- Во иста просторна температура, капацитетот за одvlaжнување е поголем при поголема релативна влажност, а капацитетот за одvlaжнување е помал при пониска релативна влажност. Во истата релативна влажност, капацитетот за одvlaжнување е поголем на повисока температура и капацитетот за одvlaжнување е помал на пониска температура.
- Ако одvlaжнувачот е поставен во орманот, неговиот капацитет за одvlaжнување може многу да се намали за краток период по работењето поради влажноста во орманот и многу намалена.
- За $5\text{ }^{\circ}\text{C}$ / $10\text{ }^{\circ}\text{C}$ / $15\text{ }^{\circ}\text{C}$ / $20\text{ }^{\circ}\text{C}$ / $25\text{ }^{\circ}\text{C}$ / $30\text{ }^{\circ}\text{C}$ на собна температура и 80% на релативна влажност, капацитетот за одvlaжнување е околу 2/4/6/8/10 литри вода кога излезот на воздухот е целосно отворен.

Индикаторско светло за влажност (10)

За време на работата, светлото за индикација на влага го покажува тековното ниво на влажност во просторијата:

- Сината боја значи мала влажност под 50% релативна влажност
- Зелена боја значи средна влажност во опсег 51% - 69% релативна влажност
- Црвената боја значи висока влажност над 70% релативна влажност

Забележете, вредноста на релативната влажност доби толеранција од 3% кога ќе ја запали соодветната сијаличка.

Операција

- Ве молиме, поставете ја машинската единица исправена за да избегнете погрешна употреба и необичен звук. Чувајте растојанија помеѓу другите објекти како што е прикажано на слика 1. Приклучете го уредот.
- Прекинувачот за напојување (A) на контролната табла (1) треба да се притисне за да го вклучите уредот. Дигиталниот дисплеј (L) ќе го прикаже сегашното ниво на влажност во просторијата.
- Копчето за режим (B) треба повторно да се притисне за да се избере посакуваниот режим на работа помеѓу:
 - Обичен режим на одvlaжнување
Кога ќе го изберете овој режим, индикаторот B1 ќе светне.
 - Режим на континуирано сушење
Кога ќе го изберете овој режим, индикаторот B2 ќе светне.
 - Силен режим на одvlaжнување
Кога ќе го изберете овој режим, индикаторот B3 ќе светне.
 - Режим на сушење облека
Кога ќе го изберете овој режим, индикаторот B4 ќе светне.

4. Копчето за поставување влажност (H) треба повторно да се притисне за да се постави саканата влажност на просторијата помеѓу 30-80% со 5% фактор на прилагодување. Поставувањето влажност важи само во обичен режим на одвлажнување (B1). По поставувањето на потребната влажност на просторијата, дигиталниот дисплеј (L) ќе трепка за да го запомни и уредот ќе започне да работи. Следно на дигиталниот дисплеј (L) е прикажана влажноста на просторијата. Потребно е да се постави потребната влажност на просторијата на пониско ниво од сегашната влажност на просторијата, во спротивно уредот нема да започне со одвлажнување. Кога релативната влажност во просторијата е еднаква на нивото на релативна влажност претходно поставено на екранот, уредот автоматски ќе го исклучи компресорот, одвлажнувачот ќе запре, само вентилаторот ќе работи.

5. Копчето за тајмер (C) работи со две функции:

Функција ДОСЛЕДЕН СТАРТ

Тајмерот може да се постави кога уредот е во статус на исклучување. Притиснете го копчето за тајмер (C); Индикаторот „Hr“ (C1) на LED дисплејот се пали и „00“ ќе се појави на дигиталниот дисплеј (L); во рок од 5 секунди, треба да го притиснете копчето на тајмерот (C) за да го изберете посакуваното време кога уредот мора да се вклучи. Штом тајмерот е поставен, времето ќе се прикаже 5 секунди, индикаторот „Hr“ (C1) ќе биде вклучен. Уредот ќе се вклучи автоматски откако ќе помине времето за поставување.

Поставување на функцијата за исклучување на тајмерот - ОДЛОЕН СТОП

Функцијата за исклучување на тајмерот може да се постави кога уредот е вклучен во статусот на вклучување. Притиснете го копчето Тајмер (C); индикаторот „Hr“ (C1) на LED дисплејот се пали и „00“ се појавува на дигиталниот дисплеј (L); во рок од 5 секунди, треба да го притиснете копчето на тајмерот (C) за да го изберете посакуваното време за исклучување на уредот. Откако ќе го поставите тајмерот, времето ќе се прикаже 5 секунди и ќе се вклучи индикаторот „Hr“ (C1). Уредот ќе се исклучи автоматски откако ќе помине времето за поставување.

Опсегот на тајмерот е од 1 до 24 часа со интервал од 1 час.

6. Дополнително копче за режим на вентилатор (D) треба да се притисне на активната или реактивната циркулација на воздухот покрај работата на вентилаторот. Кога овој режим на вентилатор е вклучен за дополнителна циркулација на воздухот, режимот за одвлажнување се исклучува.

7. Копчето за заклучување на детето (E) треба да се притисне и држи 3 секунди за да се слушне како звукот потврдува дека влегуваат во копчињата за да се заклучи, во овој момент притискањето на кое било копче е неважечко. Копчето за заклучување на детето се осветлува и во ова време. За да го исклучите копчето за заклучување на копчињата, повторно притиснете го копчето за заклучување на детето (E) и држете го 3 секунди за да слушнете како звукот потврдува како ја откажува состојбата на заклучување на копчињата.

8. Со копчето за брзина на вентилаторот (F) може да се ракува кога уредот е префрлен во режим на вентилатор (D) или во обичен режим на одвлажнување (B1). Притиснете го копчето за брзина на вентилаторот (F) за да изберете помеѓу мала или голема брзина. Соодветниот индикатор ќе светне (F1 или F2).

9. Копчето за режим на мирување (G) треба да се притисне за да се исклучат сите други сијалички индикатори, освен режимот на мирување. Притиснете кое било копче за да ги видите порано поставените функции на контролната табла. По 5 секунди, работата на режимот на мирување ќе продолжи. За да го откажете режимот на мирување, повторно притиснете го копчето за режим на мирување (G).

10. Притиснете го прекинувачот за напојување (A) повторно за да го исклучите уредот, единицата машина престанува да работи.

Услуга на резервоар за вода

1. Ако резервоарот за вода (3) е полн или резервоарот за вода (3) не е инсталиран во правилна положба, тогаш индикацијата за полн резервоар за вода (K) се пали на контролната табла (1). Уредот ќе повтори звуци на аларм, индикаторското светло за влажност (10) почнува да трепка во црвена боја.

2. Кога трепка индикаторското светло за полн резервоар за вода (K), компресорот инсталиран во внатрешноста на машината застанува така што не кондензира вода додека резервоарот за вода не е испразнет или постави во правилна позиција, но вентилаторот продолжува да работи.

3. За да го отстраните резервоарот за вода (3), задржете ги страните на резервоарот за вода и извлечете го. Не расклопувајте го пловиот (6) од резервоарот за вода (3). Погледнете ја сликата 3.

4. За да го испразните резервоарот за вода (3), навалете го како што е прикажано на сликата 5 и полека исцедете ја водата. Потоа, повторно инсталирајте го резервоарот за вода (3) во одвлажнувачот.

Функција за континуирано одводнување

1. Ако треба да го дехимизирате воздухот подолго време, можете да ја користите функцијата за континуирано одводнување.

2. Повлечете го гумениот приклучок (11), а потоа вметнете го прицврстеното црево за континуирано одводнување (7) како на сликата 2.

3. По завршувањето на континуираното одводнување, заменете го гумениот приклучок (11) и исклучете го уредот.

Црево за континуирано одводнување: должина: 30 см, внатрешен дијаметар: 17 мм, надворешен дијаметар: 19 мм.

Чистење и одржување

1. Исклучете го уредот и исклучете го приклучокот за напојување пред да започнете со какво било чистење или друго рутинско одржување.

2. За да избегнете ризик од електричен удар, никогаш не посипувајте и не истурајте вода врз одвлажнувачот при чистење.

3. Исклучете го уредот и испразнете ја водата од резервоарот за вода пред да го преместите уредот. Задолжително држете ја рачката додека се движите.

4. Избришете го куќиштето на уредот со влажна крпа.
5. Не расклопувајте го пловииот (6) од резервоарот за вода (3).
6. Пред планираното континуирано работење подолго време, потребна е периодична проверка особено за мрежниот филтер за воздух (8), филтерот за активен јаглен (12) и цревето за одвод (7) или слично.
7. За чистење или замена на филтрите:
 - исклучете го приклучокот и извадете го резервоарот за вода (3),
 - извадете го куќиштето на филтерот (9) како што е прикажано на слика 4,
 - извадете го филтерот за решетки (8) од куќиштето и нежно отстранете го филтерот со активен јаглен (12)
 - исчистете ги двата филтри на секои две недели со правосмукалка. Перформансите за одвлажнување може да се намалат кога филтрите се затнати со остатоци.
 - ставете ги филтрите во куќиштето на филтерот (9) и ставете ги во куќиштето на уредот.
8. Не чистете го уредот со бензин, разредувач или течен детергент.

ТЕХНИЧКИ ПОДАТОЦИ:

Капацитет на одвлажнување на 30 ° C / 80% RH): 10 литри / 24 часа

Капацитет на одвлажнување на 27 ° C / 60% RH): 5 литри / 24 часа

Ниво на бучава: <= 45dB

Капацитет на резервоарот за вода: 2,2 литри

Проток на воздух: 120 м3 / час

Тежина на течност за ладење R290: макс. 35 грама

Влезна моќност со рангирање: 200W

Макс. Влезна моќност со рангирање: 245W

Напојување: 220-240V ~ 50Hz



Внимание, ризик од пожар.

НЕ пирснувајте или изгорувајте.

Бидете свесни дека ладилното средство може да не содржи мирис.

Максимална количина на полнење за ладење: 35g.



Се грижиме за природната средина. Картонските паковки молиме да се наменат за рециклирање. Полиетиленовите кеси (PE) да се фрлат во контејнер за пластика. Искористениот уред треба да се предаде во соодветниот складирачки пункт, бидејќи небезбедните состојки кои се наоѓаат во уредот можат да бидат загрозување за средината. Електричниот уред треба да се предаде на начин кој ќе оневозможи негова повторна употреба и искористување. Доколку во уредот има батерии, треба да се извадат и посебно да се предадат во складирачкиот пункт.

SLOVENSKY

VŠEOBECNÉ BEZPEČNOSTNÉ PODMIENKY DÔLEŽITÉ BEZPEČNOSTNÉ POKYNY ČÍTAJTE POZORNE A ULOŽTE DO BUDÚCNOSTI

1. Pred použitím zariadenia si prečítajte návod na obsluhu a postupujte podľa pokynov v ňom uvedených. Výrobca nezodpovedá za škody spôsobené používaním zariadenia v rozpore s jeho určeným účelom alebo nesprávnou obsluhou.
2. Zariadenie je určené iba na domáce použitie. Nepoužívajte na iné účely, než na ktoré sú určené.
3. Zariadenie by malo byť pripojené iba k sieťovej zásuvke s uzemneným 220 240 V ~50Hz. Z dôvodu zvýšenia prevádzkovej bezpečnosti by viac elektrických zariadení nemalo byť pripojené k jednému prúdovému obvodu súčasne.
4. Pri používaní zariadenia, keď sú deti v blízkosti, buďte veľmi opatrní. Nedovoľte deťom hrať sa so zariadením, nedovoľte deťom ani osobám oboznámeným so zariadením používať.
5. **VÝSTRAHA:** Toto zariadenie môžu používať deti staršie ako 8 rokov a ľudia s obmedzenými fyzickými, zmyslovými alebo mentálnymi schopnosťami alebo ľudia, ktorí nemajú skúsenosti s týmto vybavením, ak sa to deje pod dohľadom zodpovednej osoby. pre svoju bezpečnosť alebo im boli poskytnuté informácie o bezpečnom používaní pomôcky a sú si vedomí nebezpečenstva pri jej používaní. Deti by sa s týmto zariadením nemali hrať. Čistenie a údržba prístroja by nemali vykonávať deti, pokiaľ nie sú staršie ako 8 rokov a tieto činnosti sa vykonávajú pod dohľadom.
6. Po použití vždy odpojte sieťovú zástrčku tak, že budete držať zásuvku rukou.

NEVYŤAHUJTE napájací kábel.

7. Kábel, zástrčku a celé zariadenie neponárajte do vody ani inej kvapaliny. Nevystavujte zariadenie poveternostným vplyvom (dážď, slnko atď.) Ani ho nepoužívajte v podmienkach vysokej vlhkosti (kúpeľne, vlhké mobilné domy).

8. Pravidelne kontrolujte stav napájacieho kábla. Ak je napájací kábel poškodený, mal by sa vymeniť v odbornom servise, aby sa predišlo nebezpečenstvu.

9. Nepoužívajte spotrebič s poškodeným napájacím káblom alebo ak spadol alebo je poškodený iným spôsobom alebo ak nefunguje správne. Neopravujte prístroj sami, mohlo by dôjsť k úrazu elektrickým prúdom. Poškodené zariadenie odneste na kontrolu alebo opravu do príslušného servisného strediska. Všetky opravy smie vykonávať iba autorizovaný servis. Nesprávne vykonané opravy môžu pre používateľa predstavovať vážne nebezpečenstvo.

10. Zariadenie umiestnite na chladný a stabilný povrch, mimo dosahu horúcich kuchynských spotrebičov, ako sú: elektrický sporák, plynový horák atď.

11. Skontrolujte, či nič neblokuje vstup a výstup vzduchu zo zariadenia

12. Používajte zariadenie iba na rovnom povrchu, aby sa zabránilo vyliatiu kondenzátu

13. Na zabezpečenie dodatočnej ochrany sa odporúča nainštalovať do elektrického obvodu zariadenie na zvyškový prúd (RCD) s menovitým zvyškovým prúdom nepresahujúcim 30 mA. Požiadajte o to elektrikára.

14. Pravidelne čistite vzduchový filter. Frekvencia čistenia závisí od čistoty vzduchu.

15. Po vypnutí stroja počkajte aspoň 5 minút, kým ho znova zapnete.

16. Na účinné odvlhčovanie by sa mala medzi bočnými stenami zariadení a stlačeným nábytkom alebo záclonami použiť medzera najmenej 20 cm.

17. Aby ste predišli riziku požiaru alebo výbuchu, nestriekajte sušičku

18. Aby ste mohli používať časti krytu, neumiestňujte odvlhčovač do blízkosti vykurovacích zariadení.

19. Odstráňte vodu zhromaždenú v nádrži. Náhodná pitie vody alebo jej používanie s inými ľuďmi môže spôsobiť ochorenie.

20. Nepodporuje zariadenia s odstráneným zadným krytom z dôvodu pohyblivých a horúcich častí.

21. Na rozmrazovanie alebo prevádzkový proces nepoužívajte žiadne iné prostriedky ako tie, ktoré odporúča výrobca.

22. Zariadenie by malo byť k dispozícii ako súčasť trvalého zoznamu zdrojov zapálenia, t. J. Bez otvoreného plameňa, bez pracovného plynového zariadenia alebo bez ohrievača pracovného zariadenia.

23. Neprepichujte ani nefajčite.

24. Vezmite prosím na vedomie, že výrobcovia chladiacich nápojov nesmú obsahovať vôňu.

Pred prvým použitím:

1. Odvlhčovač sa musí používať na rovnom a stabilnom povrchu, udržiavať odstupy medzi jednotkou a ostatnými objektmi podľa obrázku 1, aby sa zabezpečila primeraná účinnosť. Zatvorte všetky okná a dvere miestností, ktorú chcete zbaviť vzduchu.

2. Aby ste zabránili zamrznutiu vody, nepoužívajte odvlhčovač a vypúšťaciu hadicu pri teplote okolia pod 0 ° C.
 3. Nepoužívajte odvlhčovač vonku. Vystavenie priamemu snežnému žiareniu alebo dažďu môže spôsobiť prehriatie, zásah elektrickým prúdom a požiar.
 4. Na odvlhčovač vzduchu neumiestňujte nádrž na vodu, aby ste predišli akémukoľvek úniku vody do jednotky vo vnútri a poškodili izoláciu.
 5. Nikdy sa nepokúšajte použiť odvlhčovač na špeciálne účely, ako je napríklad odvlhčovanie potravín alebo ochrana umeleckých predmetov a podobne.
 6. Nepoužívajte odvlhčovač tam, kde môže dôjsť k úniku oleja alebo horľavého plynu. Nepoužívajte prístroj na miestach, ktoré sú vystavené chemikáliám.
 7. Pre trvalé vypúšťanie skontrolujte, či je odtoková hadica správne nastavená so sklonením.
 8. Dajte pozor, aby vykurovacie zariadenie nebolo vystavené vetru z odvlhčovača.
 9. Nepoužívajte odvlhčovač ako stoličku alebo podnožku.
 10. Nevyberajte plavákovú páku z nádrže na vodu.
 11. Neblokujte privody vzduchu a výstupy vzduchu.
 12. Nezakrývajte jednotku umytým odevom.
- Pred dlhotrvajúcou nepretržitou prevádzkou sa vyžaduje pravidelná kontrola, najmä pre vzduchový filter, odtokovú hadicu a podobne.

Popis produktu: CR7851 Odvlhčovač vzduchu

- | | |
|---------------------------------------|-------------------------------|
| 1. Ovládací panel | 2. Privod vzduchu |
| 3. Nádrž na vodu 2,2L | 4. Výstup vzduchu |
| 5. Rukoväť | 6. Plavák |
| 7. Odtoková hadica | 8. Mriežkový vzduchový filter |
| 9. Kryt filtra | 10. Indikátor vlhkosti |
| 11. Gumová zátka pre odtokovú funkciu | 12. Filter s aktívnym uhlím |

Ovládací panel

- | | |
|---|---|
| A. Tlačidlo napájania | B. Tlačidlo režimu |
| B1. Indikátor režimu bežného odvlhčovania | B2. Indikátor režimu nepretržitého odvlhčovania |
| B3. Indikátor režimu silného odvlhčovania | B4. Indikátor režimu sušenia bielizne |
| C. Tlačidlo časovača 0-24 hodín | C1. Indikátor časovej jednotky |
| D. Dodatočné tlačidlo / kontrolka režimu ventilátora | E. Tlačidlo / kontrolka detskej poistky |
| F. Tlačidlo rýchlosti ventilátora | F1. Ukazovateľ nízkej rýchlosti ventilátora |
| F2. Indikátor vysokej rýchlosti ventilátora | G. Tlačidlo / indikátor režimu spánku |
| H. Nastavovacie tlačidlo pre vlhkosť 30-80% relatívnej vlhkosti | H1. Indikátor jednotky vlhkosti |
| J. Indikátor režimu rozmrazovania | K. Indikátor plnej nádrže na vodu |
| L. Digitálne zobrazenie vlhkosti a časovač | |

Účinnosť

1. Spotrebič automaticky vykonáva odmrazovanie v pravidelných intervaloch podľa teploty v miestnosti.
 - a) Ak je izbová teplota rovná alebo vyššia ako 24 ° C, odmrazovanie sa zastaví.
 - b) Ak je izbová teplota 18 ° C - 24 ° C, odmrazovanie sa zapne na 5 minút po každých 120 minútach odvlhčovania.
 - c) Ak je izbová teplota 12 ° C - 18 ° C, odmrazovanie sa zapne na 5 minút po každých 25 minútach odvlhčovania.
 - d) Ak je izbová teplota 5 ° C - 12 ° C, odmrazovanie sa zapne na 5 minút po každých 20 minútach odvlhčovania.
2. Počas operácie odmrazovania môže byť prerušená funkcia odvlhčovania.
3. Počas rozmrazovania nevyťahujte vypínač ani nevyťahujte sieťovú zástrčku odvlhčovača.
4. Tento odvlhčovač nie je možné použiť na udržanie extrémne nízkej teploty. Funkciou tohto odvlhčovača je odčerpávať neprijemnú vysokú vlhkosť.

Odvlhčovacia kapacita

1. Tento odvlhčovač nemá funkciu chladenia. Počas prevádzky bude produkovať teplo a zvýši teplotu v miestnosti o 1-4 ° C.
2. Denná kapacita odvlhčovania odvlhčovača závisí od teploty miestnosti a relatívnej vlhkosti vzduchu. Pri rôznych teplotách a relatívnej vlhkosti môže mať rozdielnu kapacitu odvlhčovania.
3. Pri rovnakej izbovej teplote je odvlhčovacia kapacita vyššia pri vyššej relatívnej vlhkosti vzduchu a odvlhčovacia kapacita nižšia pri nižšej relatívnej vlhkosti vzduchu. Pri rovnakej relatívnej vlhkosti je odvlhčovacia kapacita vyššia pri vyššej teplote a odvlhčovacia kapacita nižšia pri nižšej teplote.
4. Ak je odvlhčovač umiestnený v skrini, môže sa jej odvlhčovacia kapacita v krátkom čase po prevádzke veľmi znížiť, pretože vlhkosť v skrini bola veľmi znížená.
5. Pri izbovej teplote 5 ° C / 10 ° C / 15 ° C / 20 ° C / 25 ° C / 30 ° C a relatívnej vlhkosti vzduchu 80% je odvlhčovacia kapacita približne 2/4/6/8/10 litre vody, keď je výstup vzduchu úplne otvorený.

Kontrolka vlhkosti (10)

Počas prevádzky indikátor vlhkosti zobrazuje aktuálnu úroveň vlhkosti v miestnosti:

- Modrá farba znamená nízku vlhkosť vzduchu pod 50% relatívnej vlhkosti vzduchu
- Zelená farba znamená strednú vlhkosť v rozmedzí od 51% do 69% relatívnej vlhkosti

- Červená farba znamená vysokú vlhkosť nad 70% relatívnej vlhkosti
Pamätajte, že hodnota relatívnej vlhkosti vzduchu má toleranciu 3%, keď sa rozsvieti príslušné kontrolné svetlo.

Prevádzka

1. Umiestnite jednotku stroja do zvislej polohy, aby ste predišli nesprávnej funkcii a neobvyklému zvuku. Dodržiavajte vzdialenosti medzi ostatnými objektmi, ako je to znázornené na obrázku 1. Pripojte zariadenie.
2. Zapnite prístroj stlačením vypínača (A) na ovládacom paneli (1). Digitálny displej (L) zobrazuje aktuálnu úroveň vlhkosti v miestnosti.
3. Tlačidlo režimu (B) by ste mali stlačiť znova, aby ste vybrali požadovaný prevádzkový režim medzi:

B1. Obyčajný režim odvlhčovania

Ak zvolíte tento režim, rozsvieti sa indikátor B1.

B2. Režim nepretržitého odvlhčovania

Ak zvolíte tento režim, rozsvieti sa indikátor B2.

B3. Silný režim odvlhčovania

Keď zvolíte tento režim, rozsvieti sa indikátor B3.

B4. Režim sušenia odevov

Keď zvolíte tento režim, rozsvieti sa indikátor B4.

4. Tlačidlo nastavenia vlhkosti (H) by ste mali stlačiť znova, aby ste nastavili požadovanú vlhkosť v miestnosti medzi 30 - 80% s 5% faktorom nastavenia. Nastavenie vlhkosti je platné iba v bežnom režime odvlhčovania (B1). Po nastavení požadovanej vlhkosti v miestnosti bude digitálny displej (L) blikať, aby si to pamätal, a zariadenie začne pracovať. Ďalej na digitálnom displeji (L) je zobrazená aktuálna vlhkosť miestnosti. Je potrebné nastaviť požadovanú vlhkosť v miestnosti na nižšiu úroveň ako je súčasná vlhkosť v miestnosti, inak zariadenie nezačne odvlhčovať. Keď sa relatívna vlhkosť v miestnosti rovná úrovni relatívnej vlhkosti nastavenej predtým na displeji, prístroj automaticky vypne kompresor, odvlhčovač sa zastaví, bude pracovať iba ventilátor.

5. Tlačidlo časovača (C) ovláda dve funkcie:

Funkcia DELAY START

Časovač je možné nastaviť, keď je prístroj vo vypnutom stave. Stlačte tlačidlo časovača (C): Indikátor „Hr“ (C1) sa na LED displeji rozsvieti a na digitálnom displeji (L) sa objaví „00“; do 5 sekúnd by ste mali stlačiť tlačidlo časovača (C) a zvoliť požadovaný čas, kedy sa musí prístroj zapnúť. Po nastavení časovača sa na 5 sekúnd zobrazí čas, indikátor „Hr“ (C1) sa rozsvieti. Po uplynutí nastaveného času sa zariadenie automaticky zapne.

Nastavenie funkcie časovača vypnuté - ZPOŽDENÉ ZASTAVENIE

Funkciu časovača vypnutia je možné nastaviť, keď je prístroj v zapnutom stave. Stlačte tlačidlo časovača (C): indikácia „Hr“ (C1) na LED displeji sa rozsvieti a na digitálnom displeji (L) sa objaví „00“; do 5 sekúnd by ste mali stlačiť tlačidlo časovača (C) a zvoliť požadovaný čas na vypnutie prístroja. Po nastavení časovača sa na 5 sekúnd zobrazí čas a rozsvieti sa indikátor „Hr“ (C1). Po uplynutí nastaveného času sa zariadenie automaticky vypne.

Rozsah časovača je od 1 do 24 hodín s hodinovým intervalom.

6. Okrem činnosti ventilátora by sa malo stlačiť ďalšie tlačidlo režimu ventilátora (D) na aktívnu alebo reaktívnu cirkuláciu vzduchu. Keď je tento režim ventilátora zapnutý pre ďalšiu cirkuláciu vzduchu, režim odvlhčovania je vypnutý.

7. Tlačidlo detskej zámky (E) by malo byť stlačené a podržané po dobu 3 sekúnd, aby ste počuli zvuk potvrdzujúci prechod do stavu uzamknutia tlačidiel, v tomto okamihu je stlačenie ľubovoľného tlačidla neplatné. Tlačidlo detskej poistky sa rozsvieti aj v tomto okamihu. Ak chcete vypnúť zámok tlačidiel, stlačte znova tlačidlo detskej zámky (E) a podržte ho po dobu 3 sekúnd, aby ste počuli zvuk potvrdzujúci zrušenie stavu uzamknutia tlačidiel.

8. Tlačidlo rýchlosti ventilátora (F) je možné stlačiť, keď je prístroj prepnutý do režimu ventilátora (D) alebo do bežného režimu odvlhčovania (B1). Stlačením tlačidla rýchlosti ventilátora (F) môžete zvoliť nízku alebo vysokú rýchlosť. Vhodný indikátor sa rozsvieti (F1 alebo F2).

9. Stlačením tlačidla režimu spánku (G) vypnete všetky ostatné svetlá okrem režimu spánku. Stlačením ľubovoľného tlačidla zobrazíte predtým nastavené funkcie na ovládacom paneli. Po 5 sekundách bude prevádzka režimu spánku pokračovať. Režim spánku zrušíte opätovným stlačením tlačidla režimu spánku (G).

10. Opätovným stlačením vypínača (A) zariadenie vypnete, stroj prestane pracovať.

Servis vodnej nádrže

1. Ak je nádrž na vodu (3) plná alebo nádrž na vodu (3) nie je nainštalovaná v správnej polohe, na ovládacom paneli (1) sa rozsvieti indikátor plnej nádrže na vodu (K). Prístroj bude vydávať opakované zvuky alarmu, indikátor vlhkosti (10) začne blikať červenou farbou. Keď blika kontrolka plnej nádrže na vodu (K), kompresor nainštalovaný vo vnútri stroja sa zastaví, aby nekondenzoval vodu, kým nebude nádržka na vodu prázdna alebo nastavená do správnej polohy, ale ventilátor bude naďalej bežať.
2. Ak chcete demontovať nádržku na vodu (3), držte ju za bočné strany a vytiahnite ju. Nerozoberajte plavák (6) z nádrže na vodu (3). Pozri obrázok 3.
3. Ak chcete vyprázdiť nádržku na vodu (3), nakloňte ju, ako je to znázornené na obrázku 5, a pomaly vypúšťajte vodu. Potom nasadte nádržku na vodu (3) do odvlhčovača.

Funkcia nepretržitého odtoku

1. Ak potrebujete dlhšiu dobu odvlhčovať vzduch, môžete použiť funkciu nepretržitého odtoku.
 2. Potiahnite gumovú zátku (11) a potom zasuňte pripojenú nepretržitú odtokovú hadicu (7) podľa obrázka 2.
 3. Po ukončení nepretržitého vypúšťania nasadte gumovú zátku (11) a vypnite prístroj.
- Nepretržitá odtoková hadica: dĺžka: 30 cm, vnútorný priemer: 17 mm, vonkajší priemer: 19 mm.

Čistenie a údržba

1. Pred akýmkoľvek čistením alebo inou bežnou údržbou vypnite jednotku a odpojte sieťovú zástrčku.
2. Aby ste predišli riziku zásahu elektrickým prúdom, nikdy nečistíte odvlhčovač pri čistení vodou.
3. Pred premiestnením prístroja ho vypnite a vyprázdňte vodu z nádrže na vodu. Nezabudnite počas pohybu držať rukoväť.
4. Kryt prístroja utrite vlhkou handričkou.
5. Nerozoberajte plavák (6) z nádrže na vodu (3).
6. Pred plánovanou nepretržitou prevádzkou po dlhšiu dobu je potrebná pravidelná kontrola najmä filtra čistého vzduchu (8), filtra s aktívnym uhlím (12) a odtokovej hadice (7) apod.
7. Čistenie alebo výmena filtrov:
 - odpojte zástrčku a vyberte nádržku na vodu (3),
 - vyberte kryt filtra (9), ako je to znázornené na obrázku 4,
 - vyberte sieťový filter (8) z krytu a opatrne vyberte filter s aktívnym uhlím (12)
 - oba filtre čistíte každé dva týždne vysávačom. Výkon odvlhčovania sa môže znížiť, keď sú filtre zanesené nečistotami.
 - vložte filtre dovnútra krytu filtra (9) a vložte ich do krytu prístroja.
8. Zariadenie nečistite benzínom, riedidlom ani tekutým saponátom.

TECHNICKÉ DÁTA:

Kapacita odvlhčovania pri 30 ° C / 80% relatívnej vlhkosti): 10 litrov / 24 hodín

Kapacita odvlhčovania pri 27 ° C / 60% relatívnej vlhkosti): 5 litrov / 24 hodín

Úroveň hluku: <= 45 dB

Objem nádrže na vodu: 2,2 litra

Prietok vzduchu: 120 m³ / hod

Hmotnosť chladiacej kvapaliny R290: max. 35 gramov

Ratovaný vstupný výkon: 200 W.

Max. Ratovaný vstupný výkon: 245 W.

Napájanie: 220 - 240 V ~ 50 Hz



Pozor, nebezpečenstvo požiaru.

NEPrepichujte ani nespaljajte.

Majte na pamäti, že chladivo nemusí obsahovať zápach.

Maximálne množstvo chladiva: 35 g.



Starostlivosť o životné prostredie. Kartónový obal odovzdajte do zberných surovín. Polyetylénové vrecká (PE) vyhodte do kontajnera na plast.

Opatrený spotrebič odovzdajte na príslušný zberný dvor, nebezpečné látky spotrebiča môžu predstavovať riziko pre životné prostredie.

Elektrospotrebič odstráňte tak, aby nedochádzalo k jeho ďalšiemu použitiu. Ak sa v spotrebiči nachádzajú batérie, vyberte ich a odovzdajte ich na zberné miesto osobitne. Spotrebič nevyhadzujte do kontajnera na komunálny odpad!

KARTA GWARANCYJNA

WARUNKI GWARANCJI obowiązują na terenie Rzeczypospolitej Polskiej

Adler Sp. z o.o. ul. Orдона 2a 01-237 Warszawa zapewnia Użytkownika o dobrej jakości sprzętu, na który wydana jest niniejsza karta gwarancyjna i udziela 24 miesięcznej gwarancji, która liczy się od daty zakupu sprzętu. Usługi gwarancyjne świadczone są po okazaniu prawidłowo wypełnionej karty gwarancyjnej. Wady lub uszkodzenia sprzętu ujawnione w okresie gwarancji usuwane będą bezpłatnie przez Serwis Centralny. W przypadku zakupu sprzętu przez przedsiębiorcę (faktura VAT) okres gwarancji wynosi 12 miesięcy. Powyższy zapis nie dotyczy jednoosobowych działalności gospodarczych, o ile rodzaj zakupionego sprzętu, nie jest związany z profilem prowadzonej działalności gospodarczej – weryfikacja w CEIDG.

W przypadku wymiany rzeczy na nową, albo po dokonaniu istotnej naprawy, okres gwarancji biegnie na nowo od chwili dostarczenia klientowi rzeczy wolnej od wad, lub zwrócenia rzeczy naprawionej. Jeżeli gwarant wymienił część rzeczy, przepis powyższy stosuje się odpowiednio do części wymienionej. Gwarant zobowiązuje się pokryć koszty dostarczenia rzeczy do serwisu na adres wskazany w karcie gwarancyjnej. Jednakże uprawniony z gwarancji powinien zachować rozsądek, wybierając środek transportu. Uprawnionemu z gwarancji nie przysługują od gwaranta zwrot kosztów dostarczenia towaru – rzeczy do naprawy gwarancyjnej, przekraczający ekonomicznie uzasadnione koszty przewozu.

UWAGA: Sprzęt przeznaczony jest wyłącznie do użytku domowego. Naprawami gwarancyjnymi nie są objęte czynności związane z odkamienianiem, konserwacją, czyszczeniem urządzenia oraz części i akcesoria ulegające zużyciu przy normalnym użytkowaniu. Gwarancja nie obejmuje mechanicznych uszkodzeń sprzętu oraz wad i uszkodzeń wynikłych wskutek:

- niewłaściwego lub niezgodnego z instrukcją użytkowania, przechowywania i konserwacji;
- ingerencji nieautoryzowanego serwisu, samowolnych napraw, przeróbek i zmian konstrukcyjnych;
- użycia niewłaściwych materiałów eksploatacyjnych.
- uszkodzeń mechanicznych, termicznych, chemicznych i powstałych na skutek przepięcia w sieci.
- karta gwarancyjna jest nieważna bez daty zakupu, pieczęci sprzedającego i kopii dokumentu zakupu.
- gwarancją nie są objęte elementy eksploatacyjne i akcesoria w tym: elementy szklane (np. dzbanki, talerze), sznury przyłączeniowe, sieciowe, żarówki, baterie, nożyki i folie do urządzeń tnących, nasadki miksujące, trzepaki, mieszaki, ssawkoszczotki, rury, węże, kubki miksujące, głowice tnące i sita.

Reklamowany sprzęt jest dostarczany do Serwisu Centralnego przez Klienta w stanie kompletnym i odpowiednio zabezpieczony na czas transportu. Po dokonanej naprawie reklamowany sprzęt odbierany jest z Serwisu Centralnego przez Klienta.

Termin usunięcia wady może zostać wydłużony o czas potrzebny do importu niezbędnych części, nie dłuższy niż 30 dni roboczych. W każdym takim przypadku warsztat serwisowy powiadomi klienta o wydłużeniu terminu naprawy gwarancyjnej. W związku z koniecznością sprowadzenia części zamiennych i poinformuje o nowym terminie usunięcia wady.

W przypadku stwierdzenia usterki należy ją zgłosić w punkcie sprzedaży lub w Serwisie Centralnym, ul. Orдона 2A, 01-237 Warszawa, tel. 728-595-006 lub e-mail: serwis@adler.com.pl.

W zgłoszeniu proszę podać swój adres, nr telefonu i opis usterki. Do reklamacji konieczne jest dołączenie kopii dokumentu zakupu.

Gwarancja nie wyłącza ani nie ogranicza oraz nie zawiesza uprawnień kupującego wynikających z przepisów o rękojmi za wady rzeczy sprzedanej.

SERWIS CENTRALNY

01-237 Warszawa ul.Orдона 2A

tel. 728 - 595 - 006

serwis@adler.com.pl www.adler.com.pl

.....
(data sprzedaży)

.....
(pieczęć sklepu i podpis sprzedawcy)

adnotacje serwisu:



W trosce o środowisko..

Opakowania kartonowe oraz worki polietylenowe (PE) należy wrzucać do odpowiednich pojemników przeznaczonych do selektywnej zbiórki odpadów komunalnych zgodnie z ich opisem. Jeżeli w urządzeniu znajdują się baterie, należy je wyjąć i osobno oddać do punktu zbierania i składowania. Zużyte urządzenia należy oddać do odpowiedniego punktu zbierania i składowania, gdyż znajdujące się w nim niebezpieczne substancje mogą stanowić zagrożenie dla zdrowia i środowiska. Oznaczenie umieszczone na produkcie wskazuje, że urządzenia nie należy wyrzucać do pojemnika z odpadami komunalnymi.

Zużyty sprzęt elektryczny, to odpady, które zawierają substancje szkodliwe dla ludzi, zwierząt i środowiska. Substancje te mogą doprowadzić do zanieczyszczenia gleby, wody lub powietrza, a poprzez to mogą się dostać do organizmu człowieka i doprowadzić do licznych dolegliwości zdrowotnych, takich jak: zaburzenia wzroku, słuchu, mowy, mogą również doprowadzić do uszkodzenia nerek, wątroby i serca, oraz wywołać choroby skóry. Substancje szkodliwe mogą mieć również niekorzystny wpływ na układ oddechowy i rozrodzić oraz doprowadzić do zmian nowotworowych. Spożycie roślin rosnących na skażonych glebach, oraz produktów powstałych z nich może grozić w/w skutkami zdrowotnymi.



Urządzenia nie wyrzucać do pojemnika na odpady komunalne !!!!

OGÓLNE WARUNKI BEZPIECZEŃSTWA
WAŻNE INSTRUKCJE DOTYCZĄCE BEZPIECZEŃSTWA UŻYTKOWANIA PRZECZYTAJ
UWAŻNIE I ZACHOWAJ NA PRZYSZŁOŚĆ

1. Przed rozpoczęciem użytkowania urządzenia należy przeczytać instrukcję obsługi i postępować według wskazówek w niej zawartych. Producent nie odpowiada za szkody spowodowane użytkowaniem urządzenia niezgodnie z jego przeznaczeniem lub niewłaściwą jego obsługą.
2. Urządzenie służy wyłącznie do użytku domowego. Nie używać do innych celów, niezgodnych z jego przeznaczeniem.
3. Urządzenie należy podłączyć wyłącznie do gniazdka prądu przemiennego z uziemieniem 220 240V~50Hz. W celu zwiększenia bezpieczeństwa użytkownika do jednego obwodu prądu nie należy równocześnie włączać wielu urządzeń elektrycznych.
4. Należy zachować szczególną ostrożność podczas korzystania z urządzenia, gdy w pobliżu przebywają dzieci. Nie należy dopuszczać dzieci do zabawy urządzeniem nie pozwól dzieciom ani osobom nie zaznajomionym z urządzeniem na jego użytkowanie.
5. **OSTRZEŻENIE:** Niniejszy sprzęt może być użytkowany przez dzieci powyżej 8 roku życia oraz osoby o ograniczonej zdolności fizycznej, czuciowej lub psychicznej, lub osoby nie mające doświadczenia lub znajomości sprzętu, jeśli odbywa się to pod nadzorem osoby odpowiedzialnej za ich bezpieczeństwo lub zostały im udzielone wskazówki na temat bezpiecznego użytkowania urządzenia i mają świadomość niebezpieczeństwa związanego z jego użytkowaniem. Dzieci nie powinny bawić się sprzętem. Czyszczenie i konserwacja urządzenia nie powinna być wykonywana przez dzieci, chyba że są powyżej 8 roku życia a czynności te są wykonywane pod nadzorem.
6. Zawsze po zakończeniu używania, wyjmij wtyczkę z gniazda zasilającego poprzez przytrzymanie gniazdka ręką. **NIE** ciągnąć za sznur sieciowy.
7. Nie zanurzać kabla, wtyczki oraz całego urządzenia w wodzie lub innej cieczy. Nie wystawiaj urządzenia na działanie warunków atmosferycznych (deszczu, słońca, etc.) ani nie używaj w warunkach podwyższonej wilgotności (łazienki, wilgotne domki kempingowe).
8. Okresowo sprawdzaj stan przewodu zasilającego. Jeżeli przewód zasilający jest uszkodzony, to powinien on być wymieniony przez specjalistyczny zakład naprawczy w celu uniknięcia zagrożenia.
9. Nie używaj urządzenia z uszkodzonym przewodem zasilającym lub jeśli zostało upuszczone lub uszkodzone w jakikolwiek inny sposób lub nieprawidłowo pracuje. Nie naprawiaj urządzenia samodzielnie, gdyż grozi to porażeniem. Uszkodzone urządzenie oddaj do właściwego punktu serwisowego w celu sprawdzenia lub dokonania naprawy. Wszelkich napraw mogą dokonywać wyłącznie uprawnione punkty serwisowe. Nieprawidłowo wykonana naprawa może spowodować poważne zagrożenie dla użytkownika.
10. Należy stawiać urządzenie na chłodnej stabilnej, równej powierzchni, z dala od nagrzewających się urządzeń kuchennych jak: kuchenka elektryczna, palnik gazowy, itp.....
11. Upewnij się, że nic nie blokuje wlotu i wylotu powietrza do urządzenia
12. Używaj urządzenia tylko na równej poziomej powierzchni by zapobiec wylaniu się skroplonej wody

13. Do zapewnienia dodatkowej ochrony, wskazane jest zainstalowanie w obwodzie elektrycznym, urządzenia różnicowoprądowego (RCD) o znamionowym prądzie różnicowym nie przekraczającym 30mA. W tym zakresie należy zwrócić się do specjalisty elektryka.
14. Czyścić regularnie filtr powietrza. Częstotliwość czyszczenia zależna jest od czystości powietrza.
15. Po wyłączeniu urządzenia odczekaj co najmniej 5 minut przed ponownym włączeniem.
16. Dla zapewnienia efektywnego osuszania należy zachować odstęp co najmniej 20 cm między ściankami bocznymi urządzenia, a ścianą bądź meblami czy zastonami.
17. Aby uniknąć ryzyka pożaru lub wybuchu, nie pryskaj rozpylaczem osuszacza
18. Aby zapobiec stopieniu lub zapaleniu się części obudowy, nie należy umieszczać osuszacza w pobliżu urządzeń grzewczych.
19. Usunąć wodę zgromadzoną w zbiorniku. Przypadkowe wypicie wody lub użycie jej do innych celów może spowodować chorobę.
20. Nie obsługiwać urządzenia ze zdjętą tylną pokrywą z powodu ruchomych i gorących części.
21. Nie należy używać żadnych środków do przyspieszenia procesu rozmrażania lub czyszczenia, niż te zalecane przez producenta.
22. Urządzenie należy przechowywać w pomieszczeniu bez stale działających źródeł zapłonu to znaczy: bez otwartego ognia, bez działającego urządzenia gazowego lub bez działającego grzejnika elektrycznego.
23. Nie przekłuwać ani nie palić.
24. Należy pamiętać, że czynniki chłodnicze mogą nie zawierać zapachu.

Przed pierwszym użyciem

1. Osuszacz musi być używany na poziomej i stabilnej powierzchni, zachowując odległości między urządzeniem a innymi obiektami zgodnie z rysunkiem 1 aby zapewnić odpowiednią wydajność. Zamknij wszystkie okna i drzwi pokoju, w którym chcesz osuszać powietrze.
2. Aby zapobiec zamarzaniu wody, nie używaj osuszacza i węża spustowego w temperaturze otoczenia poniżej 0°C
3. Nie używaj osuszacza na zewnątrz. Wystawienie na bezpośrednie działanie promieni słonecznych lub deszczu może spowodować przegrzanie, porażenie prądem i pożar.
4. Nie stawiaj zbiornika na osuszacz, aby uniknąć rozlania wody do wnętrza urządzenia i pogorszenia izolacji.
5. Nigdy nie próbuj używać osuszacza do specjalnych zastosowań, takich jak osuszanie żywności lub konserwacja przedmiotów artystycznych itp.
6. Nie używaj osuszacza w miejscach, w których może dojść do wycieku oleju lub łatwopalnego gazu. Nie używaj urządzenia w miejscach narażonych na chemikalia.
7. W celu ciągłego opróżniania upewnij się, że wąż odpływowy jest prawidłowo ustawiony ze spadkiem.
8. Uważaj, aby urządzenie grzewcze nie było narażone na działanie wiatru z osuszacza.
9. Nie używaj osuszacza jako krzesła lub podnóżka.
10. Nie wyjmuj dźwigni pływaka ze zbiornika wody.
11. Nie blokuj wlotów i wylotów powietrza.
12. Nie przykrywaj urządzenia praną odzieżą.

Opis produktu: Osuszacz powietrza Cr7815

- | | | | |
|---------------------|---------------------------|--|-----------------------------|
| 1. Panel sterowania | 2. Wlot powietrza | 3. Zbiornik na wodę 2,2L | 4. Wylot powietrza |
| 5. Uchwył | 6. Pływak | 7. Wąż spustowy | 8. Siatkowy filtr powietrza |
| 9. Obudowa filtra | 10. Kontrolka wilgotności | 11. Gumowa zatyczka do funkcji opróżniania | 12. Filtr z węglem aktywnym |

Panel sterowania

A. Przycisk zasilania

B1. Wskaźnik zwykłego trybu osuszania

B3. Wskaźnik silnego trybu osuszania

C. Przycisk timera od 0 do 24 godzin

D. Przycisk / wskaźnik trybu dodatkowego wentylatora

F. Przycisk prędkości wentylatora

F2. Wskaźnik wysokiej prędkości wentylatora

H. Przycisk ustawienia wilgotności 30-80% wilgotności względnej RH

J. Wskaźnik trybu odszraniania

L. Cyfrowy wyświetlacz wilgotności i timera

B. Przycisk trybu

B2. Wskaźnik ciągłego trybu osuszania

B4. Wskaźnik trybu suszenia odzieży

C1. Wskaźnik jednostki czasu

E. Przycisk / wskaźnik blokady rodzicielskiej

F1. Wskaźnik niskiej prędkości wentylatora

G. Przycisk / wskaźnik trybu uśpienia

H1. Wskaźnik jednostki wilgotności

K. Wskaźnik pełnego zbiornika na wodę

Działanie i wydajność

1. Urządzenie automatycznie wykonuje rozmrażanie w regularnych odstępach czasu w zależności od temperatury w pomieszczeniu.

a) Jeśli temperatura w pomieszczeniu jest równa lub przekracza 24 ° C, odszranianie jest zatrzymywane.

b) Jeśli temperatura pokojowa wynosi 18–24 ° C, odszranianie włącza się na 5 minut po każdym 120 minutach osuszania.

c) Jeśli temperatura pokojowa wynosi 12 ° C - 18 ° C, odszranianie włącza się na 5 minut po każdym 25 minutach osuszania.

d) Jeśli temperatura pokojowa wynosi od 5 ° C do 12 ° C, odszranianie włącza się na 5 minut po każdym 20 minutach osuszania.

2. Podczas operacji odszraniania funkcja osuszania i funkcja oczyszczania powietrza mogą być przerywane.

3. Nie wyłączaj przełącznika ani nie wyciągaj wtyczki zasilania osuszacza podczas operacji odszraniania.

4. Tego osuszacza nie można stosować w celu utrzymania ekstremalnie niskiej temperatury. Funkcją tego osuszacza jest odpompowywanie nieprzyjemnej wysokiej wilgotności.

Wydajność osuszania

1. Ten osuszacz nie ma funkcji chłodzenia. Podczas pracy wytworzy ciepło i zwiększy temperaturę pokojową o 1-4 ° C.

2. Dzienna wydajność osuszania zależy od temperatury pokojowej i wilgotności względnej. W różnych temperaturach i wilgotności względnej może mieć różną wydajność osuszania.

3. W tej samej temperaturze pokojowej wydajność osuszania jest wyższa przy wyższej wilgotności względnej, a wydajność osuszania jest niższa przy niższej wilgotności względnej. Przy tej samej wilgotności względnej wydajność osuszania jest wyższa w wyższej temperaturze, a wydajność osuszania jest niższa w niższej temperaturze.

4. Jeśli osuszacz zostanie umieszczony w szafce, jego wydajność osuszania może się znacznie zmniejszyć w krótkim czasie po rozpoczęciu pracy z powodu znacznego zmniejszenia wilgotności w szafce.

5. Dla 5°C / 10°C / 15°C / 20°C / 25°C / 30°C temperatury pokojowej i 80% wilgotności względnej wydajność osuszania wynosi odpowiednio około 2 / 4 / 6 / 8 / 10 litrów wody, gdy wylot powietrza jest całkowicie otwarty.

Kontrolka wilgotności (10)

Podczas pracy lampka wilgotność wskazuje aktualny poziom wilgotności w pomieszczeniu:

- Kolor niebieski oznacza niską wilgotność poniżej 50% wilgotności względnej

- Kolor zielony oznacza średnią wilgotność w zakresie 51% - 69% wilgotności względnej

- Kolor czerwony oznacza wysoką wilgotność powyżej 70% wilgotności względnej

Należy pamiętać, że wartość wilgotności względnej ma tolerancję 3%, gdy zapala się odpowiednia lampka sygnalizacyjna.

Obsługa

1. Ustaw urządzenie pionowo, aby uniknąć nieprawidłowego działania i nietypowych dźwięków. Zachowaj odległość między innymi obiektami, jak pokazano na rysunku 1. Podłącz wtyczkę urządzenia.

2. W celu włączenia urządzenia należy nacisnąć wyłącznik (A) na panelu sterowania (1). Cyfrowy wyświetlacz (L) pokaże aktualny poziom wilgotności w pomieszczeniu.

3. Ponownie naciskaj przycisk trybu (B), aby wybrać żądany tryb pracy spośród:

B1. Zwykły tryb osuszania

Po wybraniu tego trybu zaświeci się wskaźnik B1.

B2. Tryb ciągłego osuszania

Po wybraniu tego trybu zaświeci się wskaźnik

B3. Tryb silnego osuszania

Po wybraniu tego trybu zaświeci się wskaźnik B3.

B4. Tryb suszenia odzieży

Po wybraniu tego trybu zaświeci się wskaźnik B4.

4. Przycisk ustawienia wilgotności (H) należy ponownie nacisnąć, aby ustawić żądaną wilgotność w pomieszczeniu w zakresie 30-80% z 5% współczynnikiem regulacji. Ustawienie wilgotności obowiązuje tylko w zwykłym trybie osuszania (B1). Po ustawieniu wymaganej wilgotności w pomieszczeniu wyświetlacz cyfrowy (L) zacznie migać, aby to zapamiętać, a urządzenie zacznie działać. Następnie na wyświetlaczu cyfrowym (L) pokazana jest aktualna wilgotność w pomieszczeniu. Konieczne jest ustawienie wymaganej wilgotności w pomieszczeniu na niższym poziomie niż obecna wilgotność w pomieszczeniu, w przeciwnym razie urządzenie nie rozpocznie osuszania. Gdy wilgotność względna w pomieszczeniu zrówna się z poziomem wilgotności względnej uprzednio ustawionej na wyświetlaczu

urządzenie automatycznie wyłączy kompresor, przestanie osuszać, pracować będzie tylko wentylator.

5. Przycisk timera (C) obsługuje dwie funkcje:

Funkcja OPÓŹNIONEGO STARTU

Timer można ustawić, gdy urządzenie jest wyłączone. Naciśnij przycisk timera (C): wskaźnik „Hr” (C1) na wyświetlaczu LED zaświeci się, a na wyświetlaczu cyfrowym (L) pojawi się „00”; w ciągu 5 sekund należy nacisnąć przycisk timera (C), aby wybrać żądany czas, kiedy urządzenie ma się włączyć. Po ustawieniu timera czas będzie wyświetlany przez 5 sekund, zaświeci się wskaźnik „Hr” (C1). Urządzenie włączy się automatycznie po upływie ustawionego czasu.

Ustawianie funkcji Timer OFF - OPÓŹNIONE ZATRZYMANIE

Funkcję wyłącznika czasowego można ustawić, gdy urządzenie jest w stanie włączenia. Naciśnij przycisk timera (C): wskaźnik „Hr” (C1) na wyświetlaczu LED zaświeci się, a na wyświetlaczu cyfrowym (L) pojawi się „00”; w ciągu 5 sekund należy nacisnąć przycisk timera (C), aby wybrać żądany czas wyłączenia urządzenia. Po ustawieniu timera czas będzie wyświetlany przez 5 sekund i zapali się wskaźnik „Hr” (C1). Urządzenie wyłączy się automatycznie po upływie ustawionego czasu.

Timer ma zakres od 1 do 24 godzin z 1-godzinnym odstępem.

6. Przycisk trybu dodatkowego wentylatora (D) należy wcisnąć, aby oprócz pracy wentylatora aktywować lub reaktywować cyrkulację powietrza. Gdy ten tryb wentylatora jest włączony w celu zapewnienia dodatkowej cyrkulacji powietrza, tryb osuszania jest wyłączony.

7. Przycisk blokady rodzicielskiej (E) należy wcisnąć i przytrzymać przez 3 sekundy, aby usłyszeć dźwięk potwierdzający wejście przycisków w stan blokady, w tym momencie naciśnięcie dowolnego przycisku nie spowoduje jego zadziałania. W tym momencie również świeci się przycisk blokady rodzicielskiej. Aby wyłączyć blokadę przycisków, należy ponownie nacisnąć przycisk blokady rodzicielskiej (E) i przytrzymać go przez 3 sekundy, aby usłyszeć dźwięk potwierdzający anulowanie stanu blokady przycisków.

8. Przycisk prędkości wentylatora (F) może być obsługiwany, gdy urządzenie jest przełączone w tryb wentylatora (D) lub tryb zwykłego osuszania (B1). Naciśnij przycisk prędkości wentylatora (F), aby wybrać pomiędzy niską lub wysoką prędkością. Odpowiedni wskaźnik zaświeci się (F1 lub F2).

9. Przycisk trybu uśpienia (G) powinien być wciśnięty, aby wyłączyć wszystkie inne wskaźniki świetlne oprócz trybu uśpienia. Naciśnij dowolny przycisk, aby wyświetlić skonfigurowane wcześniej funkcje na panelu sterowania. Po 5 sekundach, działanie trybu uśpienia będzie kontynuowane. Aby anulować tryb uśpienia, naciśnij ponownie przycisk trybu uśpienia (G).

10. Ponownie naciśnij wyłącznik zasilania (A), aby wyłączyć urządzenie, urządzenie przestaje działać.

Obsługa zbiornika na wodę

1. Jeśli zbiornik na wodę (3) jest pełny lub zbiornik na wodę (3) nie jest zainstalowany we właściwej pozycji, wówczas na panelu sterowania (1) zapala się wskaźnik pełnego zbiornika na wodę (K). Urządzenie będzie wydawać powtarzające się dźwięki alarmowe, kontrolka wilgotności (10) zacznie migać na czerwono.

2. Kiedy lampka kontrolna pełnego zbiornika na wodę (K) miga, sprężarka zainstalowana wewnątrz urządzenia zatrzymuje się, aby nie skraplała wody, dopóki zbiornik na wodę nie zostanie opróżniony lub nie zostanie ustawiony w prawidłowej pozycji, ale wentylator nadal pracuje.

3. Aby wyjąć zbiornik na wodę (3), należy chwycić boki zbiornika i wyciągnąć. Nie demontować pływaka (6) ze zbiornika wody (3). Spójrz na zdjęcie 3.

4. Aby opróżnić zbiornik na wodę (3), przechyl go jak pokazano na rysunku 5 i powoli spuść wodę. Następnie ponownie zainstaluj zbiornik na wodę (3) w osuszaczu.

Funkcja ciągłego odprowadzania wody

1. Jeśli potrzebujesz osuszać powietrze długotrwale możesz użyć funkcji ciągłego osuszania.

2. Odciągnij gumową zatyczkę (11), a następnie włóż załączony w komplecie wąż spustowy (7) jak na rysunku 2.

3. Po zakończeniu ciągłego odprowadzania wody, załóż gumową zatyczkę (11) i wyłącz urządzenie.

Wąż spustowy: długość: 30 cm, średnica wewnętrzna: 17 mm, średnica zewnętrzna: 19 mm.

Czyszczenie i konserwacja

1. Wyłącz urządzenie i odłącz wtyczkę zasilania przed rozpoczęciem czyszczenia lub inną rutynową konserwacją.

2. Aby uniknąć ryzyka porażenia prądem, nigdy nie należy spryskiwać ani rozlewać wody na osuszaczu podczas czyszczenia.

3. Wyłącz urządzenie i opróżnij wodę ze zbiornika przed przenoszeniem. Trzymaj za uchwyty (5) podczas przenoszenia.

4. Wytrzyj obudowę urządzenia wilgotną ściereczką.

5. Nie demontuj pływaka (6) znajdującego się w zbiorniku na wodę (3).

6. Przed planowaną ciągłą pracą przez długi czas wymagana jest okresowa kontrola, szczególnie w przypadku siateczkowego filtra powietrza (8), filtra z węglem aktywnym (12) i węża spustowego (7) itp.

7. Aby wyczyścić lub wymienić filtry należy:

- odłączyć wtyczkę i wyjąć zbiornik na wodę (3),

- wyciągnąć obudowę filtrów (9) jak pokazano na rysunku 4.

- wysunąć z obudowy filtr siateczkowy (8) i delikatnie wyjąć filtr z węglem aktywnym (12)

- oba filtry czyścić co dwa tygodnie za pomocą odkurzacza. Wydajność osuszania może się zmniejszyć, gdy filtry są zatkana zanieczyszczeniami.

- załóż filtry do wnętrza obudowy filtrów (9) i włóż w obudowę urządzenia.

8. Nie czyść urządzenia benzyną, rozcieńczalnikiem lub płynnym deterгентem.

DANE TECHNICZNE:

Wydajność osuszania przy 30°C / 80% RH): 10 litrów / 24 godziny

Wydajność osuszania przy 27°C / 60% wilgotności względnej): 5 litrów / 24 godziny

Poziomy hałas: <= 45dB

Pojemność zbiornika na wodę: 2,2 litra

Przepływ powietrza: 120 m3 / godzinę

Czynnik chłodzący R290: maks. 35 gramów

Moc nominalna: 200 W

Maks. moc: 245 W

Zasilanie: 220-240 V ~ 50 Hz



Ostrożnie, ryzyko pożaru.

NIE przekuwać ani nie spalać.

Należy pamiętać, że czynnik chłodniczy może nie wydzielać zapachu.

Maksymalna ilość czynnika chłodniczego: 35g.

(AR) عربي

شروط السلامة. تعليمات هامة حول الاستخدام الآمن. اقرأ بعناية واحتفظ به للرجوع إليه في المستقبل

1. قبل استخدام الجهاز ، اقرأ دليل التشغيل واتباع التعليمات الواردة فيه. الشركة المصنعة غير مسؤولة عن الأضرار الناجمة عن استخدام الجهاز خلافاً للغرض المقصود منه أو التشغيل غير السليم.
2. الجهاز للاستخدام المنزلي فقط. لا تستخدمه لأغراض أخرى ليست للغرض المقصود منها.
3. يجب توصيل الجهاز بمأخذ تيار متردد فقط مع 220-240 فولت ~ 50 هرتز. لزيادة السلامة التشغيلية ، يجب عدم توصيل العديد من الأجهزة الكهربائية بدائرة تيار واحدة في نفس الوقت.
4. توخي الحذر الشديد عند استخدام الجهاز عندما يكون الأطفال في مكان قريب. لا تسمح للأطفال باللعب بالجهاز ، ولا تسمح للأطفال أو الأشخاص غير المعتادين على الجهاز باستخدامه.
5. تحذير: يمكن استخدام هذه المعدات من قبل الأطفال الذين تزيد أعمارهم عن 8 سنوات والأشخاص ذوي القدرات البدنية أو الحسية أو العقلية المحدودة ، أو الأشخاص الذين ليس لديهم خبرة أو معرفة بالمعدات إذا تم ذلك تحت إشراف شخص مسؤول حفاظاً على سلامتهم أو تم إعطاؤهم معلومات عن الاستخدام الآمن للجهاز وإدراكهم لمخاطر استخدامه. يجب ألا يلعب الأطفال بالمعدات. لا ينبغي أن يقوم الأطفال بتنظيف الجهاز وصيانته ، إلا إذا كان عمرهم أكثر من 8 سنوات ويتم تنفيذ هذه الأنشطة تحت إشراف.
6. أفضل قابس الطاقة دائماً عن طريق إمساك المقبس بيدك بعد الاستخدام. لا تسحب سلك الطاقة.
7. لا تغمر الكابل والقابس والجهاز بالكامل في الماء أو أي سائل آخر. لا تعرض الجهاز للظروف الجوية (مطر ، شمس ، إلخ) أو تستخدمه في ظروف الرطوبة العالية (الحمامات ، المنازل المتنقلة الرطبة).
8. افحص بشكل دوري حالة سلك الطاقة. في حالة تلف سلك الطاقة ، يجب استبداله بمحل إصلاح متخصص لتجنب الخطر.
9. لا تستخدم الجهاز مع سلك طاقة تالف أو إذا سقط أو تعرض للتلف بأي طريقة أخرى أو إذا كان لا يعمل بشكل صحيح. لا تقم بإصلاح الجهاز بنفسك ، حيث يوجد خطر حدوث صدمة كهربائية. خذ الجهاز التالف إلى مركز خدمة مناسب لفحصه أو إصلاحه. لا يجوز إجراء جميع الإصلاحات إلا من خلال نقاط الخدمة المعتمدة. يمكن أن تتسبب الإصلاحات التي يتم إجراؤها بشكل غير صحيح في خطر كبير على المستخدم.
10. ضع الجهاز على سطح بارد وثابت ، بعيداً عن أجهزة المطبخ الساخنة مثل: الموقد الكهربائي ، الموقد الغازي ، إلخ.
11. تأكد من عدم وجود أي شيء يسد مدخل ومخرج الهواء بالجهاز.
12. استخدم الجهاز فقط على سطح مستوٍ لمنع التكاثر من الانسكاب.
13. في الدائرة الكهربائية بتيار متبقي (RCD) لتوفير حماية إضافية ، يُنصح بتركيب جهاز التيار المتبقي.
14. مُقدر لا يتجاوز 30 مللي أمبير. اسأل كهربائياً عن هذا.
14. نظف مرشح الهواء بانتظام. يعتمد تكرار التنظيف على نظافة الهواء.

- بعد إيقاف تشغيل الجهاز ، انتظر 5 دقائق على الأقل قبل إعادة تشغيله. 15
- إزالة الرطوبة بشكل فعال ، يجب استخدام فجوة لا تقل عن 20 سم بين الجدران الجانبية للأجهزة. 16
- والأثاث المضغوط أو الستائر
- لتجنب خطر نشوب حريق أو انفجار ، لا ترش المجفف. 17
- لاستخدام أجزاء السكن ، لا تضع مزيل الرطوبة بالقرب من أجهزة التدفئة. 18
- أزل الماء المتجمع في الخزان. شرب الماء عن طريق الخطأ أو استخدامه مع أشخاص آخرين قد يسبب المرض. 19
- لا يدعم الأجهزة مع إزالة الغطاء الخلفي بسبب الأجزاء المتحركة والساخنة. 20
- لا تستخدم أي وسيلة لإجراء عملية إذابة الجليد أو التشغيل بخلاف تلك الموصى بها من قبل الشركة المصنعة. 21
- يجب أن يكون الجهاز متاحًا كجزء من قائمة دائمة لمصادر الإشعاع ، أي بدون لهب مكشوف ، بدون جهاز غاز عامل أو بدون سخان جهاز عامل
- لا تخرق أو تدخن. 23
- يرجى ملاحظة أن الشركات المصنعة لأجهزة التبريد قد لا تحتوي على عطور. 24

قبل الاستخدام الأول

- يجب استخدام مزيل الرطوبة على سطح مستو ومستقر ، والحفاظ على المسافات بين الوحدة والأشياء الأخرى وفقًا للصورة ١ لضمان الكفاءة المناسبة. أغلق ١.
- جميع نوافذ وأبواب الغرفة التي تريد إزالة رطوبة الهواء بها
- لمنع الماء من التجمد ، لا تستخدم مزيل الرطوبة وخرطوم التصريف في درجة حرارة محيطية أقل من ٠ درجة مئوية. ٢
- لا تستخدم مزيل الرطوبة في الخارج. قد يؤدي التعرض لأشعة الشمس المباشرة أو المطر إلى ارتفاع درجة الحرارة والصدمة الكهربائية والحريق. ٣
- لا تضع خزان الماء على مزيل الرطوبة لتجنب أي انسكاب للماء داخل الوحدة ويؤدي إلى تدهور العزل. ٤
- لا تحاول أبدًا استخدام مزيل الرطوبة للاستخدامات الخاصة ، مثل إزالة رطوبة الطعام أو الحفاظ على الأشياء الفنية ، أو ما شابه ذلك. ٥
- لا تستخدم مزيل الرطوبة حيث قد يحدث أي تسرب للزيت أو الغازات القابلة للاشتعال. لا تستخدم الوحدة في الأماكن المعرضة للمواد الكيميائية. ٦
- للتصريف المستمر ، تأكد من أن خرطوم الصرف مضبوط بشكل صحيح على منحدر. ٧
- احذر من أن جهاز التدفئة لا يتعرض للرياح من مزيل الرطوبة. ٨
- لا تستخدم مزيل الرطوبة ككرسى أو مسند قدم. ٩
- لا تقم بإزالة رافعة العوامة من خزان المياه. ١٠
- لا تسد مداخل الهواء ومنافذ الهواء. ١١
- لا تغطي الوحدة بالملايس المغسولة. ١٢
- قبل التشغيل المستمر لفترة طويلة ، يلزم إجراء فحص دوري خاصة لمرشح الهواء التنظيف أو خرطوم الصرف أو ما شابه
- Cr7851 وصف المنتج: مزيل رطوبة الهواء
- لوحة التحكم ٢. مدخل الهواء 1.
- خزان المياه ٢،٢ لتر ٤. مخرج الهواء ٣.
- مقبض ٦. عائم ٥.
- خرطوم الصرف ٨. شبكة مرشح الهواء ٧.
- مبييت الفلتر ١٠. ضوء مؤشر الرطوبة ٩.
- المكونات المطاطية لوظيفة الصرف ١٢. فلتر الكربون المنشط ١١.

لوحة التحكم

زر الطاقة ب. زر الوضع

- مؤشر وضع التجفيف المستمر B2. ب 1. مؤشر وضع التجفيف العادي
- مؤشر وضع تجفيف الملايس B4. ب 3. مؤشر وضع إزالة الرطوبة القوي
- مؤشر وحدة الوقت C1 المؤقت زر ٠-٢٤ ساعة
- زر / مؤشر قفل الأطفال E. زر / مؤشر وضع المروحة الإضافي D.
- مؤشر سرعة المروحة المنخفضة F1. زر سرعة المروحة F.
- زر / مؤشر وضع السكون G. مؤشر سرعة المروحة العالية F2.
- مؤشر وحدة الرطوبة H1. زر الإعداد للرطوبة ٣٠-٨٠٪ الرطوبة النسبية H.
- مؤشر امتلاء خزان المياه K. مؤشر وضع إزالة الجليد J.
- العرض الرقمي للرطوبة والمؤقت L.

كفاءة

يقوم الجهاز تلقائيًا بإزالة الجليد على فترات منتظمة وفقًا لدرجة حرارة الغرفة ١.

(أ) إذا كانت درجة حرارة الغرفة تساوي أو تزيد عن ٢٤ درجة مئوية ، يتم إيقاف إزالة الجليد

(ب) إذا كانت درجة حرارة الغرفة ١٨ درجة مئوية - ٢٤ درجة مئوية ، يتم تشغيل إزالة الصقيع لمدة ٥ دقائق بعد كل ١٢٠ دقيقة من إزالة الرطوبة

(ج) إذا كانت درجة حرارة الغرفة ١٢ درجة مئوية - ١٨ درجة مئوية ، يتم تشغيل إزالة الصقيع لمدة ٥ دقائق بعد كل ٢٥ دقيقة من إزالة الرطوبة

يتم تشغيل إذابة الصقيع لمدة ٥ دقائق بعد كل ٢٠ دقيقة من إزالة الرطوبة ، C -12 ° C (د) إذا كانت درجة حرارة الغرفة ٥

أثناء عملية إزالة الجليد ، قد يتم قطع وظيفة إزالة الرطوبة ٢.

من فضلك لا تغلق المفتاح أو تسحب قابس الطاقة لمزيل الرطوبة أثناء عملية إزالة الصقيع ٣.

جهاز إزالة الرطوبة هذا لا يمكن استخدامه للخفاظ على درجة حرارة منخفضة للغاية. وظيفة مزيل الرطوبة هذا هي ضخ الرطوبة العالية غير السارة ٤.

القدرة على إزالة الرطوبة

لا يحتوي مزيل الرطوبة هذا على وظيفة التبريد. سينتج حرارة أثناء العملية ويزيد درجة حرارة الغرفة بمقدار ١-٤ درجة مئوية ١.

تعتمد قدرة إزالة الرطوبة اليومية على درجة حرارة الغرفة والرطوبة النسبية. في درجات حرارة مختلفة ورطوبة نسبية مختلفة ، قد يكون لها قدرة مختلفة ٢.

على إزالة الرطوبة

في نفس درجة حرارة الغرفة ، تكون قدرة إزالة الرطوبة أعلى في الرطوبة النسبية العالية وقدرة إزالة الرطوبة تكون أقل في الرطوبة النسبية المنخفضة. في ٣.

نفس الرطوبة النسبية ، تكون قدرة إزالة الرطوبة أعلى في درجات الحرارة المرتفعة وقدرة إزالة الرطوبة تكون أقل في درجات الحرارة المنخفضة

إذا تم وضع جهاز إزالة الرطوبة في الخزانة ، فإن قدرته على إزالة الرطوبة قد تقل بشكل كبير في فترة قصيرة بعد التشغيل بسبب انخفاض الرطوبة في ٤.

الخزانة بشكل كبير

٪بالنسبة إلى ٥ درجات مئوية / ١٠ درجات مئوية / ١٥ درجة مئوية / ٢٠ درجة مئوية / ٢٥ درجة مئوية / ٣٠ درجة مئوية من درجة حرارة الغرفة و ٨٠ ٥.

من الرطوبة النسبية ، تكون سعة إزالة الرطوبة على التوالي حوالي ١/٠٨/٦/٤ لترات من الماء عندما يكون مخرج الهواء مفتوحًا بالكامل

(١٠) ضوء مؤشر الرطوبة

أثناء التشغيل ، يُظهر مصباح إشارة الرطوبة مستوى الرطوبة الحالي في الغرفة

اللون الأزرق يعني رطوبة منخفضة أقل من ٥٠٪ رطوبة نسبية -

اللون الأخضر يعني رطوبة متوسطة في نطاق ٥١٪ - ٦٩٪ رطوبة نسبية -

اللون الأحمر يعني رطوبة عالية تزيد عن ٧٠٪ رطوبة نسبية -

يرجى ملاحظة أن قيمة الرطوبة النسبية قد حصلت على تسامح بنسبة ٣٪ عندما يضيء ضوء المؤشر المقابل

عملية

يرجى وضع وحدة الماكينة في وضع مستقيم لتجنب التشغيل الخاطئ والصوت غير العادي. حافظ على المسافات بين الأشياء الأخرى كما هو موضح في ١.

الصورة ١. قم بتوصيل الجهاز

مستوى الرطوبة الحالي في الغرفة (L) بلوحة التحكم (١) لتشغيل الجهاز. ستعرض الشاشة الرقمية (A) يجب الضغط على مفتاح الطاقة ٢.

مرة أخرى للاختيار وضع التشغيل المطلوب بين (B) يجب الضغط على زر الوضع ٣-

ب ١. وضع التجفيف العادي

B1. عند اختيار هذا الوضع ، سيضيء المؤشر

وضع التجفيف المستمر B2.

B2. عند اختيار هذا الوضع ، سيضيء المؤشر

ب ٣. وضع قوي لإزالة الرطوبة

B3. عند اختيار هذا الوضع ، سيضيء المؤشر

ب ٤. وضع تجفيف الملابس

B4. عند اختيار هذا الوضع ، سيضيء المؤشر

مرة أخرى لإعداد رطوبة الغرفة المرغوبة بين ٣٠-٨٠٪ مع عامل تعديل ٥٪. إعداد الرطوبة صالح في ظل (H) يجب الضغط على زر ضبط الرطوبة 4.

لتذكرها ويبدأ الجهاز في العمل. التالي على الشاشة (L) فقط. بعد إعداد رطوبة الغرفة المطلوبة ، ستومض الشاشة الرقمية (B1) وضع إزالة الرطوبة العادي

يظهر رطوبة الغرفة الحالية. تحتاج إلى إعداد رطوبة الغرفة المطلوبة عند مستوى أقل من رطوبة الغرفة الحالية ، وإلا فإن يبدأ الجهاز في إزالة (L) الرقمية

، الرطوبة. عندما تساوي الرطوبة النسبية في الغرفة مستوى الرطوبة النسبية الذي تم ضبطه مسبقًا على الشاشة ، فسيقوم الجهاز تلقائيًا بإيقاف تشغيل الضاغط

وستوقف مزيل الرطوبة ، وستعمل المروحة فقط

على وظيفة (C) يعمل زر المؤقت 5.

وظيفة تأخير البدء

ويضيء وسيظهر "٠٠" على LED في شاشة (C1) "Hr" مؤشر (C): يمكن ضبط المؤقت عندما يكون الجهاز في حالة إيقاف التشغيل. اضغط على زر المؤقت

، لتحديد الوقت المطلوب عندما يجب تشغيل الجهاز. بمجرد ضبط المؤقت (C) في غضون ٥ ثوانٍ ، يجب أن تضغط على زر المؤقت ؛ (L) الشاشة الرقمية

سيتم تشغيل الجهاز تلقائيًا بعد مرور وقت الإعداد. (C1) "Hr" سيتم عرض الوقت لمدة ٥ ثوانٍ ، وسيضيء مؤشر

ضبط وظيفة إيقاف المؤقت - إيقاف التأخير

"ويظهر "٠٠" على شاشة (C1) "Hr" بضيء مؤشر © Timer يمكن ضبط وظيفة إيقاف المؤقت عندما يكون الجهاز في حالة التشغيل. اضغط على زر

لتحديد الوقت المطلوب لإيقاف تشغيل الجهاز. بعد ضبط المؤقت ، سيتم (C) في غضون ٥ ثوانٍ ، يجب أن تضغط على زر المؤقت ؛ (L) على الشاشة الرقمية

سيتم إيقاف تشغيل الجهاز تلقائيًا بعد مرور وقت الإعداد. (C1) "Hr" عرض الوقت لمدة ٥ ثوانٍ وتشغيل مؤشر

نطاق المؤقت من ١ إلى ٢٤ ساعة فواصل ساعة واحدة

لتنوير الهواء المنشط أو التفاعلي بالإضافة إلى تشغيل المروحة. عند تشغيل وضع المروحة هذا لمزيد (D) يجب الضغط على زر وضع المروحة الإضافي ٦.

من دوران الهواء ، يتم إيقاف وضع إزالة الرطوبة

مع الاستمرار لمدة ٣ ثوانٍ لسماع صوت يؤكد دخول الأزرار لحالة القفل ، في هذا الوقت الضغط على أي زر غير (E) يجب الضغط على زر قفل الطفل ٧.

مرة أخرى واستمر في الضغط عليه لمدة ٣ (E) صالح. يضيء زر قفل الأطفال في هذا الوقت أيضًا. لإيقاف تشغيل قفل الأزرار ، اضغط على زر قفل الأطفال

ثوانٍ لسماع الصوت الذي يؤكد إلغاء حالة قفل الأزرار

اضغط على زر سرعة المروحة (B1) أو وضع إزالة الرطوبة العادي (D) عند تحويل الجهاز إلى وضع المروحة (F) يمكن تشغيل زر سرعة المروحة ٨.

(F2) أو (F1) للاختيار بين السرعة المنخفضة أو السرعة العالية. سيضيء المؤشر المناسب (F)

لإيقاف تشغيل جميع أضواء المؤشرات الأخرى باستثناء وضع السكن. اضغط على أي زر لمشاهدة وظائف (G) يجب الضغط على زر وضع السكن 9.

مرة أخرى (G) لإعداد المسافة في لوحة التحكم. بعد ٥ ثوانٍ ، سيستمر تشغيل وضع السكن. لإلغاء وضع السكن ، اضغط على زر وضع السكن

مرة أخرى لإيقاف تشغيل الجهاز ، تتوقف آلة الوحدة عن العمل (A) اضغط على مفتاح الطاقة ١٠.

خدمة خزان المياه

(١) (بضيء في لوحة التحكم (K) إذا كان خزان المياه (٣) ممتلئًا أو لم يتم تركيب خزان المياه (٣) في الموضع الصحيح ، فإن مؤشر خزان المياه الكامل ١.

- بمسدود الجهاز أصوات إنذار متكررة ، ويبدأ ضوء مؤشر الرطوبة (١٠) في الوميض باللون الأحمر يتوقف الضاغط المركب داخل الماكينة حتى لا يتكثف الماء حتى يفرغ خزان المياه أو يتم ضبطه في ، (K) عندما يوميض ضوء مؤشر خزان الماء الممتلئ ٢. الموضوع الصحيح ، لكن المروحة تستمر في العمل لإزالة خزان المياه (٣) ، يرجى إمساك جانبي خزان المياه والسحب للخارج. لا تقم بفك العوامة (٦) من خزان المياه (٣). انظر إلى الصورة ٣. ٣. لتفريغ خزان المياه (٣) ، قم بإمالتها كما هو موضح في الصورة ٥ وصراف الماء ببطء. ثم أعد تركيب خزان الماء (٣) في مزبل الرطوبة ٤.

وظيفة الصرف المستمر

١. إذا كنت بحاجة إلى إزالة رطوبة الهواء لفترة طويلة ، يمكنك استخدام وظيفة الصرف المستمر ١. اسحب القابض المطاطي (١١) ، ثم أدخل خرطوم التصريف المستمر المرفق (٧) كما في الصورة ٢. ٢. بعد إنهاء التصريف المستمر ، استبدل السداة المطاطية (١١) وأوقف تشغيل الجهاز ٣. خرطوم الصرف المستمر: الطول: ٣٠ سم ، القطر الداخلي: ١٧ ملم ، القطر الخارجي: ١٩ ملم

التنظيف والصيانة

١. أوقف تشغيل الوحدة وافصل قابس الطاقة قبل البدء في أي تنظيف أو صيانة روتينية أخرى ١. لتجنب خطر التعرض لصدمة كهربائية ، لا تقم مطلقاً برش الماء أو سكبها على جهاز إزالة الرطوبة عند التنظيف ٢. قم بإيقاف تشغيل الجهاز وإفراغ الماء من خزان المياه قبل تحريك الجهاز. تأكد من إمساك المقبض أثناء الحركة ٣. امسح غطاء الجهاز بقطعة قماش مبللة ٤. (٣) لا تقم بفك العوامة (٦) من خزان المياه ٥. قبل التشغيل المستمر المخططة لفترة طويلة ، يلزم إجراء فحص دوري خاصة لفلتر الهواء الصافي (٨) ، وفلتر الكربون النشط (١٢) وخرطوم الصرف ٦. أو ما شابه ، (٧) لتنظيف المرشحات أو استبدالها ٧. (٣) افصل القابض وأخرج خزان الماء - قم بإزالة غلاف المرشح (٩) كما هو موضح في الشكل ٤ - (١٢) قم بإزالة مرشح الشبكة (٨) من الغلاف وإزالة مرشح الكربون المنشط نظف كلا الفلترتين كل أسبوعين بالمكنسة الكهربائية. قد ينخفض أداء إزالة وضع الفلاتر داخل غلاف المرشح (٩) وضعها في غلاف الجهاز - لا تقم بتنظيف الجهاز بالبنزين أو التتر أو المنظفات السائلة ٨.



معلومات تقنية

- قدرة إزالة الرطوبة عند ٣٠ درجة مئوية / ٨٠٪ رطوبة نسبية): ١٠ لترات
قدرة إزالة الرطوبة عند ٢٧ درجة مئوية / ٦٠٪ رطوبة نسبية): ٥ لترات /
مستوى الضوضاء: >= ٤٥ ديسيبل
سعة خزان المياه: ٢,٢ لتر
تدفق الهواء: ١٢٠ م^٣ / ساعة
كحد أقصى: ٣٥ جرام R290 وزن سائل التبريد
قوة الإدخال: ٢٠٠ واط
الأعلى: قوة الإدخال: ٢٤٥ واط
مصدر الطاقة: ٢٢٠-٢٤٠ فولت ~ ٥٠ هرتز

- يرجى نقل عبوات الورق المقوى إلى نفايات الورق. اسكب أكياس البولي إيثيلين في الحاوية البلاستيكية يجب إعادة الجهاز البالي إلى نقطة تخزين مناسبة لأنه خطير في الجهاز قد تشكل المكونات تهديداً للبيئة. يجب تسليم الجهاز الكهربائي للحد فعليك إخراجها وإعطائها إلى النقطة المخزنة بشكل منفصل، إعادة استخدامها واستخدامها. إذا كان هناك بطاريات في الجهاز



(BG) БЪЛГАРСКИ

УСЛОВИЯ ЗА БЕЗОПАСНОСТ. ВАЖНИ ИНСТРУКЦИИ ЗА БЕЗОПАСНОСТ НА ИЗПОЛЗВАНЕ. МОЛЯ, ПРОЧЕТЕТЕ ВНИМАТЕЛНО И ПАЗЕТЕ ЗА БЪДЕЩИ РЕФЕРЕНЦИИ

1. Преди да използвате продукта, моля, прочетете внимателно и винаги спазвайте следните инструкции. Производителят не носи отговорност за щети, причинени от злоупотреба.
2. Продуктът трябва да се използва само на закрито. Не използвайте продукта за цели, които не са съвместими с приложението му.
3. Устройството трябва да бъде свързано само към променливотоков контакт със заземено напрежение 220 240V ~ 50Hz. За да се повиши безопасността при работа, няколко електрически устройства не трябва да бъдат свързани към един контакт едновременно.

4. Внимавайте изключително много, когато използвате устройството, когато децата са наблизо. Не позволявайте на децата да играят с устройството, не позволявайте на деца или хора, които не са запознати с устройството, да го използват.
5. ПРЕДУПРЕЖДЕНИЕ: Това оборудване може да се използва от деца над 8-годишна възраст и хора с ограничени физически, сензорни или умствени способности или хора, които нямат опит или познания за устройството, ако това се прави под наблюдението на отговорно лице за тяхната безопасност или им е била предоставена информация за безопасното използване на устройството и са наясно с опасностите от използването му. Децата не трябва да играят с оборудването. Почистването и поддръжката на устройството не трябва да се извършва от деца, освен ако са на възраст над 8 години и тези дейности се извършват под наблюдение.
6. Винаги изключвайте щепсела след употреба, като държите контакта с ръка. НЕ дърпайте захранващия кабел.
7. Не потапяйте кабела, щепсела и цялото устройство във вода или друга течност. Не излагайте устройството на атмосферни условия (дъжд, слънце и др.) Не използвайте в условия на висока влажност (бани, влажни мобилни домове).
8. Периодично проверявайте състоянието на захранващия кабел. Ако захранващият кабел е повреден, той трябва да бъде заменен от специализиран сервиз, за да се избегне опасност.
9. Не използвайте уреда с повреден захранващ кабел или ако той е изпуснат или повреден по някакъв друг начин, или ако не работи правилно. Не ремонтирайте устройството сами, тъй като съществува риск от токов удар. Занесете повреденото устройство в подходящ сервизен център за проверка или ремонт. Всички ремонти могат да се извършват само от оторизирани сервизни центрове. Неправилно извършените ремонти могат да създадат сериозна опасност за потребителя.
10. Поставете устройството на хладна, стабилна повърхност, далеч от горещи кухненски уреди като: електрическа печка, газови котлони и др.
11. Уверете се, че нищо не блокира входа и изхода за въздух на устройството
12. Използвайте устройството само на равна повърхност, за да предотвратите изтичането на конденз.
13. За да се осигури допълнителна защита, препоръчително е да се инсталира устройство за остатъчен ток (RCD) в електрическата верига с номинален остатъчен ток, който не надвишава 30 mA. Попитайте електротехник за това.
14. Почиствайте редовно въздушния филтър. Честотата на почистване зависи от чистотата на въздуха.
15. След като изключите машината, изчакайте поне 5 минути, преди да я включите отново.
16. За ефективно изсушаване трябва да се използва празнина от поне 20 см между страничните стени на устройството и мебели или завеси.
17. За да избегнете риск от пожар или експлозия, не пръскайте обезвлажнителя.
18. Преди да използвате уреда, не поставяйте обезвлажнителя близо до устройства,

които излъчват топлина.

19. Отстранете събраната вода в резервоара. Случайното пиене на вода или консумирането с други хората могат да причинят заболяване.

20. Не използвайте устройството със свален заден капак поради движещи се и горещи части.

21. Не използвайте други за други експлоатационни процеси, различни от тези препоръчани от производителя.

22. Устройството трябва да се съхранява в помещение без непрекъснато работещи източници на топлина и огън, такива като: открит огън, работещ газов уред или електрически нагревател.

23. Не пробивайте и не пушете около устройството.

24. Моля, обърнете внимание, че производителите на хладилни агенти може да не предлагат продукти с аромат.

Преди първа употреба:

1. Обезвлажнителят за въздух трябва да се използва на равна и стабилна повърхност, да се спазват разстояния между устройството и други предмети съгласно снимка 1, за да се осигури подходяща ефективност. Затворете всички прозорци и врати на помещението, в което искате да обезвлажните въздуха.
2. За да предотвратите замръзване на водата, не използвайте обезвлажнителя и маркуча за източване при температура на околната среда под 0 °C
3. Не използвайте обезвлажнителя навън. Излагането на пряка слънчева светлина или дъжд може да доведе до прегряване, токов удар и пожар.
4. Не поставяйте резервоара за вода върху обезвлажнителя, за да избегнете разливане на вода във вътрешността на уреда и влошаване на изолацията.
5. Никога не се опитвайте да използвате обезвлажнителя за специални цели, като обезводняване на храни или подпомагане съхранението на произведения на изкуството или други подобни.
6. Не използвайте обезвлажнителя там, където може да се получи изтичане на масло или запалим газ. Не използвайте устройството на места, подложени на химикали.
7. За непрекъснато източване се уверете, че маркучът за източване е настроен правилно и с наклон.
8. Внимавайте за отоплителни уреди изложени в полето на работа на обезвлажнителя.
9. Не използвайте обезвлажнителя като стол или подложка за крака.
10. Не сваляйте поплавъчния лост от резервоара за вода.
11. Не блокирайте изходите за въздух и изпускателните отвори.
12. Не покривайте устройството с изпрани дрехи.

Преди продължителна експлоатация е необходима периодична проверка, особено за чистотата на въздушния филтър, маркуча за източване или други подобни.

Описание на продукта: CR7815 Обезвлажнител за въздух

- | | | |
|---------------------------|-------------------------------------|-----------------------------|
| 1. Контролен панел | 2. Вход за въздух | 3. Резервоар за вода 2,2 Л |
| 4. Изход за въздух | 5. Дръжка | 9. Корпус на филтъра |
| 10. Индикатор за влажност | 11. Гумена тапа за дренажна функция | 12. Филтър с активен въглен |

Контролен панел

A. Бутон за хранване

V1. Индикатор за обикновен режим на изсушаване овлажняване

V4. Индикатор за режим на сушене на дрехи

C1. Индикатор за единица време

вентилатор

E. Бутон / индикатор за заключване от деца

F1. Индикатор за ниска скорост на вентилатора

G. Бутон / индикатор в режим на заспиване 30-80%

J. Индикатор за режим на размразяване

L. Цифров дисплей за влажност и таймер

B. Бутон за режим

V2. Индикатор за режим на непрекъснато

V3. Индикатор за силен режим на изсушаване

C. Бутон за таймер 0-24 часа

D. Допълнителен бутон / индикатор за режим на

F. Бутон за скорост на вентилатора

F2. Индикатор за висока скорост на вентилатора

H. Бутон за настройка за относителна влажност от

N1. Индикатор за единици за влажност

K. Индикатор за пълен резервоар за вода

Ефективност

1. Уредът автоматично извършва размразяване на равни интервали според стайната температура.

a) Ако стайната температура е равна или надвишава 24 °C, размразяването спира.

b) Ако стайната температура е 18 °C -24 °C, размразяването се включва за 5 минути след всеки 120 минути на безводняване.

v) Ако стайната температура е 12 °C -18 °C, размразяването се включва за 5 минути след всеки 25 минути на обезводняване.

г) Ако стайната температура е 5 °C -12 °C, размразяването се включва за 5 минути след всеки 20 минути на обезводняване.

2. По време на операцията по размразяване, функцията за изсушаване може да бъде прекъсната.

3. Моля, не изключвайте ключа и не изваждайте щепсела на изсушителя по време на операцията по размразяване.

4. Този обезвлажнител за въздух не може да бъде приложен за поддържане на екстремно ниска температура. Функцията на този обезвлажнител за въздух е да изпомпва неприятната, прекалено висока влажност.

Капацитет на изсушаване

1. Този обезвлажнител няма функция за охлаждане. Той ще произвежда топлина по време на операцията и може да повиши стайната температура с 1-4 °C.

2. Ежедневната способност за изсушаване на обезвлажнителя зависи от стайната температура и относителната влажност. При различни температури и относителни влажности, уреда може да има различна способност за овлажняване.

3. При една стайна температура капацитетът за изсушаване е по-висок при по-висока относителна влажност и капацитетът за изсушаване е по-нисък при по-ниска относителна влажност. При същата относителна влажност капацитетът за изсушаване е по-висок при по-висока температура и капацитетът за изсушаване е по-нисък при по-ниска температура.

4. Ако обезвлажнителят е поставен в шкафа, неговият капацитет за овлажняване може силно да намалее след кратък период на работа, тъй като влажността в шкафа е силно намалена.

5. За 5 °C / 10 °C / 15 °C / 20 °C / 25 °C / 30 °C на стайна температура и 80% на относителната влажност, капацитетът за изсушаване е съответно около 2/4/6/8/10 литри вода, когато изходът за въздух е напълно отворен.

Индикатор за влажност (10)

По време на работа индикаторът за влажност показва текущото ниво на влажност в помещението:

- Синият цвят означава ниска влажност под 50% относителна влажност

- Зеленият цвят означава средна влажност в диапазона 51% - 69% относителна влажност

- Червеният цвят означава висока влажност над 70% относителна влажност

Моля, обърнете внимание, стойността на относителната влажност има 3% толеранс, когато свети съответната индикационна лампа.

Операция

1. Моля, поставете машината в изправено положение, за да избегнете неправилна работа и необичаен звук. Пазете разстояние между други обекти, както е показано на снимка 1. Включете устройството.

2. За да включите устройството, превключвателят на хранването (A) на контролния панел (1) трябва да бъде натиснат. Цифровият дисплей (L) ще покаже настоящото ниво на влажност в стаята.

3. Бутонът за режим (B) трябва да бъде натиснат отново, за да изберете желания режим на работа между:

V1. Обикновен режим на изсушаване

Когато изберете този режим, индикаторът V1 ще светне.

B2. Режим на непрекъснато изсушаване

Когато изберете този режим, индикаторът B2 ще светне.

B3. Режим на силно изсушаване

Когато изберете този режим, индикаторът B3 ще светне.

B4. Режим на сушене на дрехи

Когато изберете този режим, индикаторът B4 ще светне.

4. Бутонът за настройка на влажността (H) трябва да се натисне отново, за да се настрои желаната влажност на помещението между 30-80% с 5% коефициент на регулиране. Настройката за влажност е валидна само при обикновен режим на изсушаване (B1). След настройване на необходимата влажност в помещението цифровият дисплей (L) ще мига, за да я запомни и устройството ще започне да работи. След това на цифровия дисплей (L) ще се показва настоящата влажност на помещението. Необходимо е да настроите необходимата влажност на помещението на по-ниско ниво от настоящата влажност, в противен случай устройството няма да започне изсушаването. Когато относителната влажност в помещението се равнява на нивото на относителна влажност, предварително зададено на дисплея, устройството автоматично ще изключи компресора, обезвлажнителя ще спре и ще работи само вентилаторът.

5. Бутонът за таймер (C) работи с две функции:

Функция DELAY START (Забавено стартиране)

Таймерът може да се настрои, когато устройството е в изключено състояние. Натиснете бутона на таймера (C): индикаторът "H" (C1) на LED дисплея светва и на цифровия дисплей (L) ще се появи "00"; в рамките на 5 секунди трябва да натиснете бутона на таймера (C), за да изберете желаното време, когато устройството трябва да се включи. След като таймерът е настроен, времето ще се покаже за 5 секунди, индикаторът "H" (C1) ще светне. Устройството ще се включи автоматично след изтичане на настроеното време.

Настройка на функцията за изключване на таймера - DELAY STOP (Забавено спиране)

Функцията за изключване на таймера може да бъде настроена, когато устройството е включено.

Натиснете бутона за таймер (C): индикаторът "H" (C1) на LED дисплея светва и на цифровия дисплей (L) се появява "00"; в рамките на 5 секунди трябва да натиснете бутона на таймера (C), за да изберете желаното време за изключване на устройството. След като таймерът е настроен, времето ще се покаже за 5 секунди и индикаторът "H" (C1) ще се включи. Устройството ще се изключи автоматично след изтичане на настроеното време.

Диапазонът на таймера е от 1 до 24 часа с интервал от 1 час.

6. Допълнителният бутон за режим на вентилатор (D) трябва да бъде натиснат за активна или реактивна циркулация на въздуха в допълнение към работата на вентилатора. Когато този режим на вентилатор е включен за допълнителна циркулация на въздуха, режимът на изсушаване е изключен.

7. Бутонът за заключване от деца (E) трябва да се натисне и задържи за 3 секунди, за да чуете звука, потвърждаващ включването на заключването на бутоните, като в този момент натискането на който и да е бутон ще бъде невалидно. Бутонът за заключване от деца също ще свети по това време. За да изключите бутона за заключване на бутоните, натиснете отново бутона за заключване от деца (E) и го задържете за 3 секунди, за да чуете звука, потвърждаващ отмяна на състоянието на заключване на бутоните.

8. Бутонът за скорост на вентилатора (F) може да се задейства, когато устройството е превключено в режим на вентилатор (D) или обикновен режим на изсушаване (B1). Натиснете бутона за скорост на вентилатора (F), за да изберете между ниска или висока скорост. Подходящият индикатор ще светне (F1 или F2).

9. Бутонът за режим на заспиване (G) трябва да бъде натиснат, за да изключите всички други индикатори, освен режима на заспиване. Натиснете произволен бутон, за да видите по-рано настроените функции на контролния панел. След 5 секунди работата в режим на заспиване ще продължи. За да отмените режим на заспиване, натиснете отново бутона за режим на заспиване (G).

10. Натиснете отново бутона за захранване (A), за да изключите устройството – то ще спре работа.

Обслужване на резервоара за вода

1. Ако резервоарът за вода (3) е пълен или не е монтиран в правилното положение, индикаторът за пълен резервоар за вода (K) светва на контролния панел (1). Устройството ще издава многократни алармени звуци и индикаторът за влажност (10) започва да мига в червен цвят.

2. Когато индикаторът за пълен резервоар за вода (K) мига, компресорът, монтиран вътре в машината, спира, така че да не кондензира вода, докато резервоарът за вода не се изпразни или не се настрои в правилното положение, но в същото време вентилаторът продължава да работи.

3. За да извадите резервоара за вода (3), моля, хванете страните на резервоара за вода и издърпайте. Не демонтирайте поплавъка (6) от резервоара за вода (3). Вижте снимка 3.

4. За да изпразните резервоара за вода (3), го наклонете, както е показано на снимка 5, и източете водата бавно. След това монтирайте отново резервоара за вода (3) в обезвлажнителя.

Функция за непрекъснато източване

1. Ако трябва да изсушите въздуха за дълго време, можете да използвате функцията за непрекъснато източване.
 2. Издърпайте гумената тапа (11), след това поставете прикрепения маркуч за непрекъснато източване (7), както е на снимка 2.
 3. След като приключите с непрекъснатото източване, поставете гумената тапа (11) на място и изключете устройството.
- Дренажен маркуч: дължина: 30 см, вътрешен диаметър: 17 мм, външен диаметър: 19 мм.

Почистване и поддръжка

1. Изключете устройството и извадете щепсела от захранването, преди да започнете почистване или друга рутинна поддръжка.
2. За да избегнете риска от токов удар, никога не пръскайте и не разливайте вода на обезвлажнителя, когато почиствате.
3. Изключете устройството и изпразнете водата от резервоара за вода, преди да преместите устройството. Не забравяйте да държите дръжката по време на движение.
4. Избършете корпуса или устройството с мокра кърпа.
5. Не демонтирайте поплавъка (6) от резервоара за вода (3).
6. Преди планирана продължителна експлоатация се изисква периодична проверка, особено на въздушния филтър (8), филтъра с активен въглен (12) и маркуча за източване (7) или други подобни.
7. За почистване или подмяна на филтрите:
 - изключете щепсела и извадете резервоара за вода (3),
 - свалете корпуса на филтъра (9), както е показано на фигура 4,
 - извадете мрежестия филтър (8) от корпуса и внимателно отстранете филтъра с активен въглен (12)
 - почиствайте двата филтъра на всеки две седмици с прахосмукачка. Ефективността на изсушаването може да намалее, когато филтрите са запушени с прах и дребни частици.
 - поставете филтрите в корпуса на филтъра (9) и след това ги поставете в корпуса на устройството.
8. Не почиствайте устройството с бензин, разреждател или течен препарат.

ТЕХНИЧЕСКИ ДАННИ:

Капацитет на изсушаване при 30 °C / 80% относителна влажност): 10 литра / 24 часа
Капацитет на безвлажняване при 27 °C / 60% относителна влажност): 5 литра / 24 часа
Ниво на шум: <= 45dB
Капацитет на резервоара за вода: 2,2 литра
Въздушен поток: 120 м³ / час
Тегло на охлаждащата течност R290: макс. 35 грама
Номинална входна мощност: 200W
Макс. Номинална входна мощност: 245W
Източник на захранване: 220-240V ~ 50Hz



Внимание, риск от пожар.
НЕ пробивайте или изгаряйте.
Имайте предвид, че хладилният агент може да не съдържа мирис.
Максималното количество зареждане с хладилен агент: 35g.



За да защитите околната среда: моля, отделете картонените кутии и найлоновите торбички и ги изхвърлете в съответните кошчета за отпадъци. Използваният уред трябва да бъде доставен до специалните пунктове за събиране, поради опасни компоненти, които могат да повлияят на околната среда. Не изхвърляйте този уред в обикновен кош за отпадъци

camry

Premium



Turntable with radio
CR 1111



Waffle maker
CR 3022



Blender
AD 4070



Electric Kettle
CR 1242



Steam Cleaner
CR 5020



Automatic milk frother
CR 4464



Portable cooler
CR 8065



Easy Air Cooler
CR 7318



Foldable Electric Kettle
CR 1265



Air Cooler
CR 7908



WINE COOLER
CR 8068



Radio
CR 1153



Cube Radio with bluetooth
CR 1165



Ceramic Heater
CR 7718



Super soft heating blanket
CR 7418



Electric Kettle
CR 1278

Camry

Premium



Steam iron
CR 5018



Milk Frother
CR 4464



Stand Fan
CR 7306



Electric Kettle
CR 1169



Air conditioner
CR 7907



Turntable
CR 1113



Deep Fryer 3L
CR 4909



Steam Cleaner
CR 7021



Popcorn maker
CR 4458



Chocolate Fountain
CR 4457



Ash Vacuum 25L 1200W
CR 7030



Retro radio
CR 1109



Steam Iron
CR 5029



Pressure cooker
CR 6409



Slow Cooker
CR 6410



Super silent vacuum cleaner
CR 7037

www.camryhome.eu