

MBC Guttin

The Expert of Winding and Unwinding



Manual safety chucks

PRESENTATION

French manufacturer of safety chucks, expandable airshafts, brakes and spreading equipment.

Several patents ensure quality and know-how our company.
Specific products



Pneumatic safety chucks



Self-centring pneumatic safety chuck

SIMPLIFIED MAINTENANCE :

- Interchangeability of wear parts within few minutes (**from the front face**)
- 100% Steel manufacturing (**easier to meet specific requirements**)
- Safety chucks with riveted bellows (in accordance with European norms)
- Changing the bladder in few minutes



Assembling



Expandible Material and spare parts

SECTORS OF ACTIVITIES



Spreading equipment



Spreading



Others

ZI de Charancieu - 38490 CHARANCIEU
Tél : + 33 (0) 4 76 32 07 82 - Fax : + 33 (0) 4 76 32 29 56
www.guttin.com - guttinmbc@aliceadsl.fr

PNEUMATIC SAFETY CHUCKS

Pneumatic safety chuck with simple or double effect



Pneumatic safety chucks with translatory disc



MANUAL SAFETY CHUCKS

Manual safety chucks with pivoting disc



Manual safety chucks with sliding disc



Manual safety chucks with axial adjustment



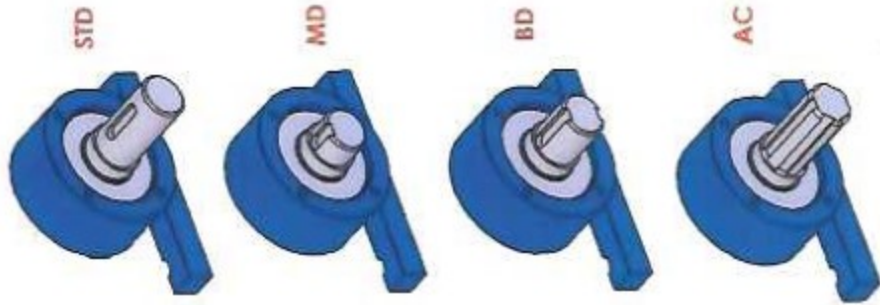
DEFINITION :

- Foot-mounted (Serie 150) or flange-mounted (Serie 250)
- Without shaft end (SFE) or with shaft end (SFE/G)
- With several wear parts :
 - **Type A** Square
 - **Type B** Triangular
 - **Type E** Square 45°
 - **Type V** Double geometry (ensures translation without guiding plates)
 - **Type W** Double geometry (needs guiding plates for translation)

TYPE	ROLL WEIGHT	TORQUE	DIMENSIONS
14-20	150 kg	40 Nm	14 à 20
18-25	400 kg	120 Nm	18 à 25
20-30	800 kg	185 Nm	20 à 30
30-40	1600 kg	350 Nm	30 à 40
40-50	2850 kg	1100 Nm	40 à 50
50-80	7200 kg	2350 Nm	50 à 80
80-120	11 500 kg	9 000 Nm	80 à 120
120-180	22 000 kg	20 000 Nm	120 à 180
180-230	60 000 kg	40 000 Nm	180 à 230

**Pneumatical
safety chucks
simple or double effect
Serie 2200 –2201
Serie 2300—2301**

SHAFT ENDS



Other on request

GEOMETRIE

Without wear parts



TYPE A



TYPE E



TYPE B

With wear parts



TYPE APU



TYPE EPU



TYPE BPU



TYPE AVPU



TYPE AWPU

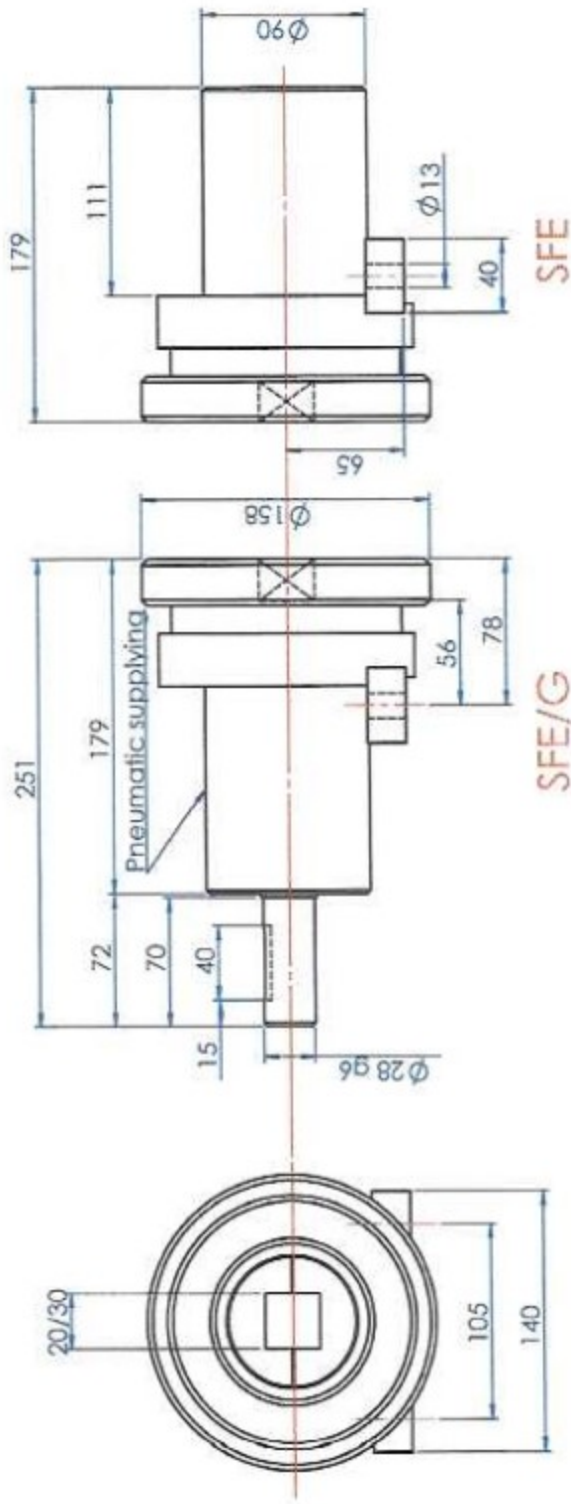
SAFETY CHUCK SERIE 2200/2300

*MBC
Guttin*

2200 -2300 pneumatic double effect

2201 -2301 pneumatic simple effect





Pneumatic safety chuck serie 2200 double effect

Pneumatic safety chuck serie 2201 simple effect

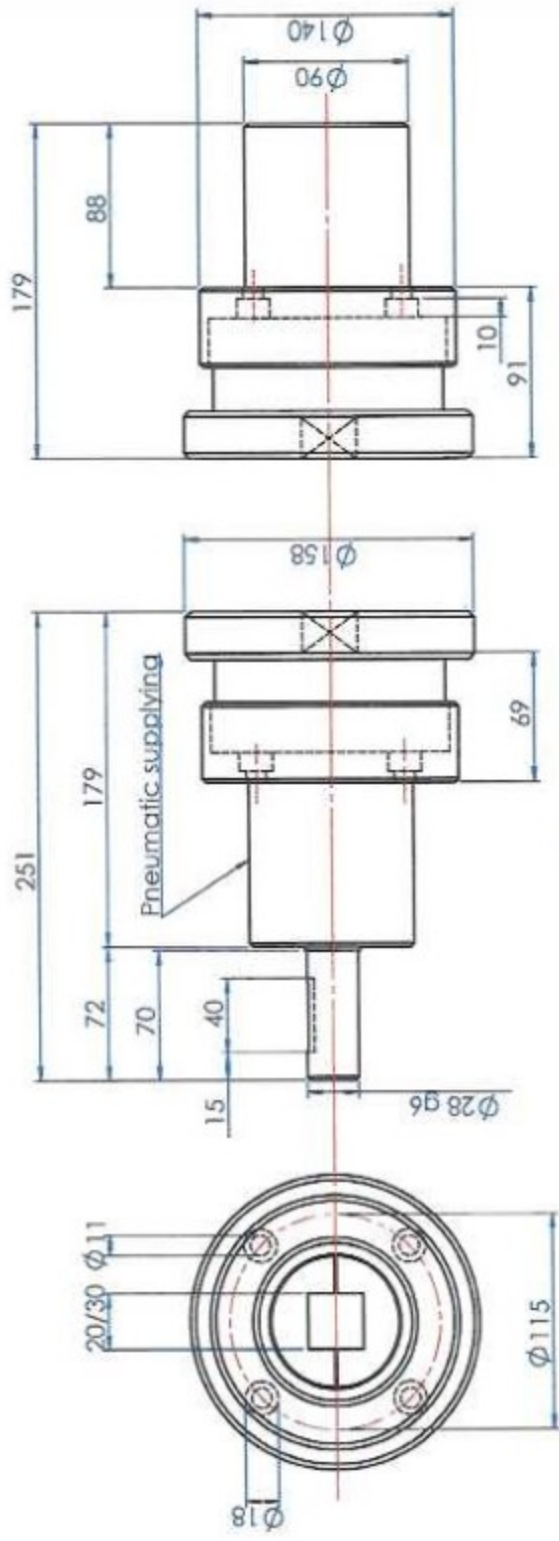
SAFETY CHUCK SERIE 2200-2201 20/30 *MBC*
Guttin

Square : 20 to 30 depth 22

Rollweight: 8000 N

Torque : 185 Nm





SFE/G

SFE

Pneumatic safety chuck serie 2300 double effect

Pneumatic safety chuck serie 2301 simple effect

SAFETY CHUCK SERIE 2300-2301 20/30

Square : 20 to 30 depth 22

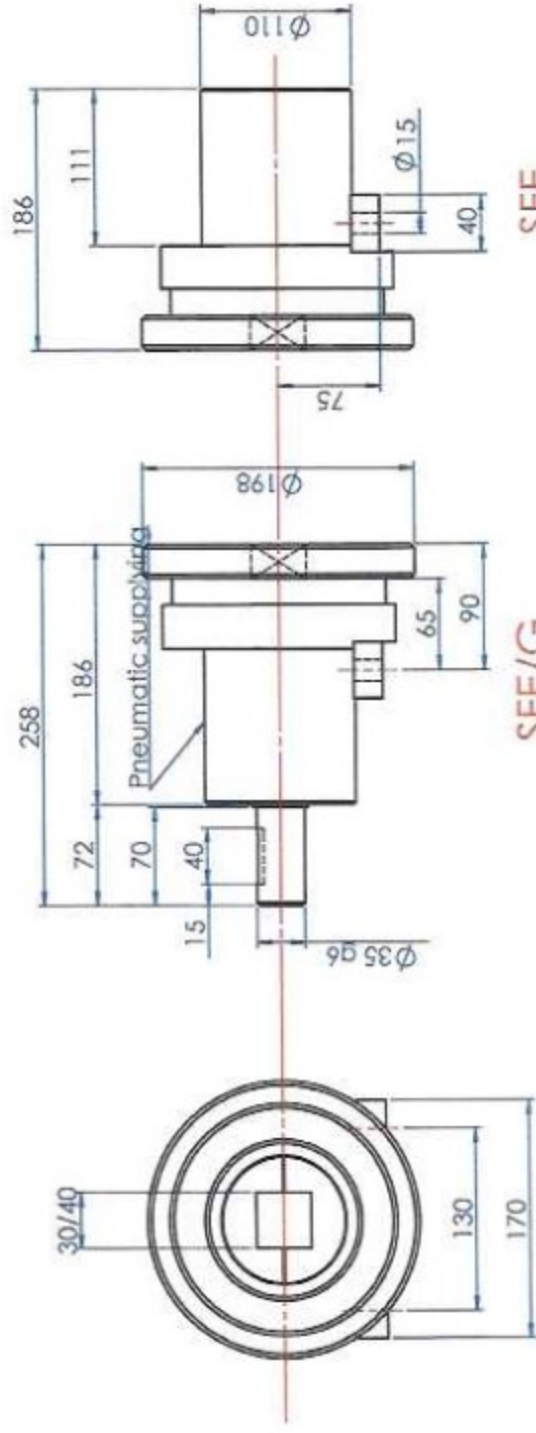
Rollweight : 8000 N

Torque : 185 Nm



MBC
Guttin





SFE/G

SFE

Pneumatic safety chuck serie 2200 double effect

Pneumatic safety chuck serie 2201 simple effect

SAFETY CHUCK SERIE 2200-2201 30/40

Square : 30 to 40 depth 25

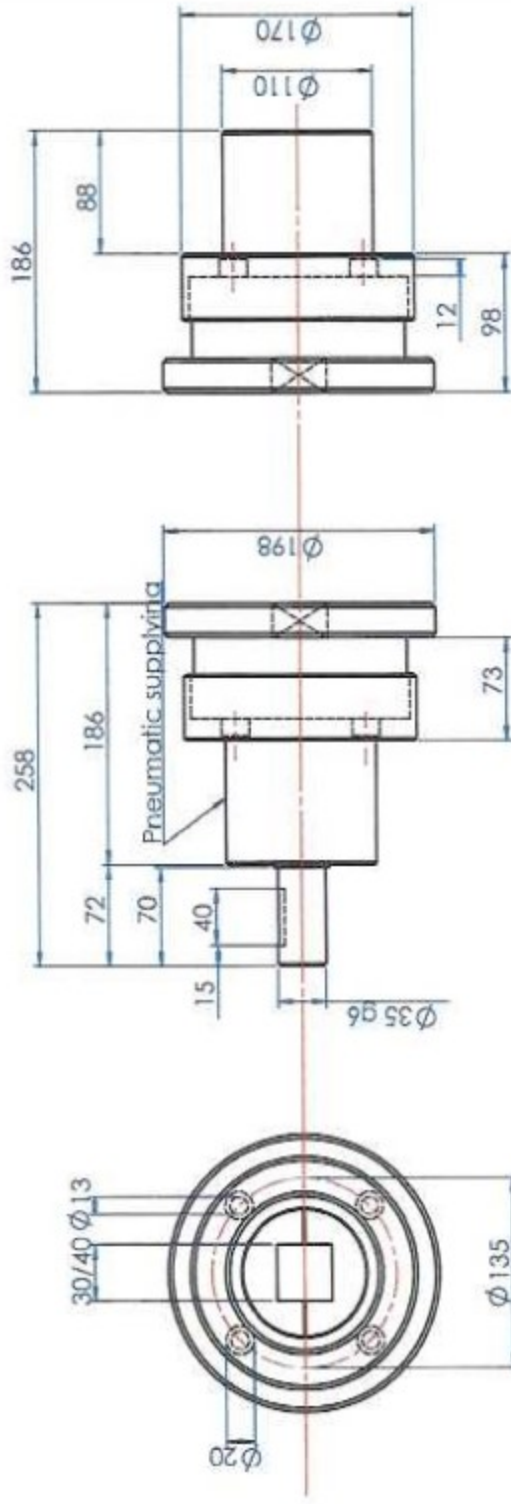
Rollweight : 16000 N

Torque : 350 Nm



MBC
Guttin





SFE/G

SFE

Pneumatic safety chuck serie 2300 double effect

Pneumatic safety chuck serie 2301 simple effect

SAFETY CHUCK SERIE 2300-2301 30/40

Square : 30 to 40 depth 25

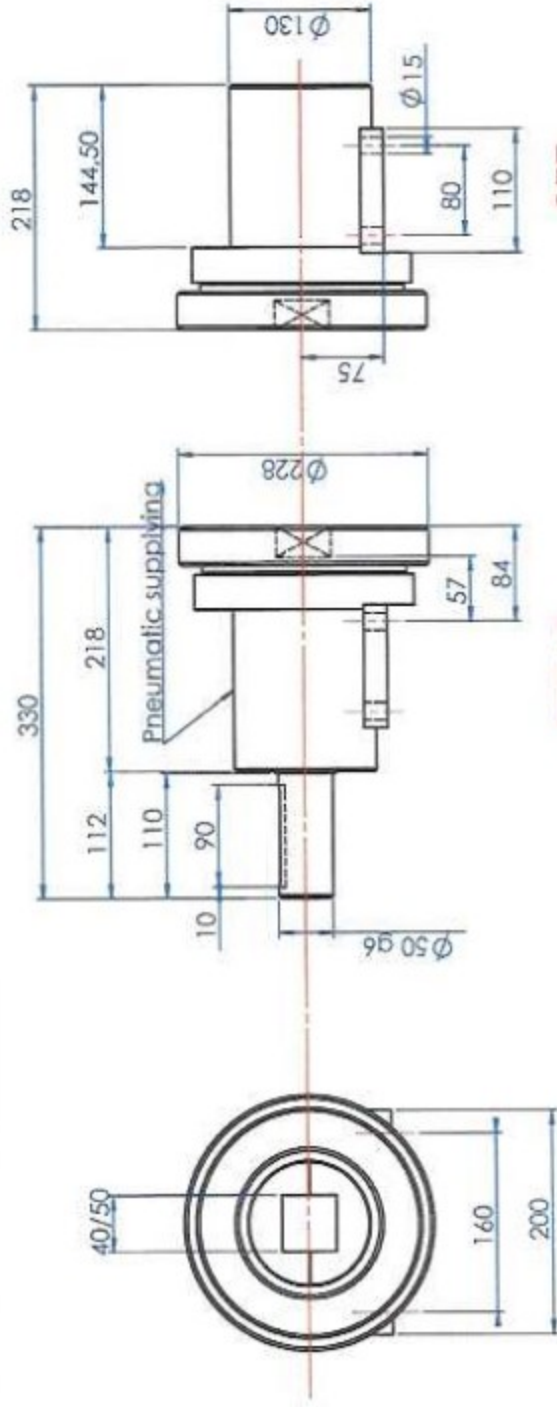
Rollweight : 16000 N

Torque : 350 Nm



MBC
Guttin





SFE/G

SFE

Pneumatic safety chuck serie 2200 double effect

Pneumatic safety chuck serie 2201 simple effect

SAFETY CHUCK SERIE 2200-2201 40/50

Square : 40 to 50 depth 27

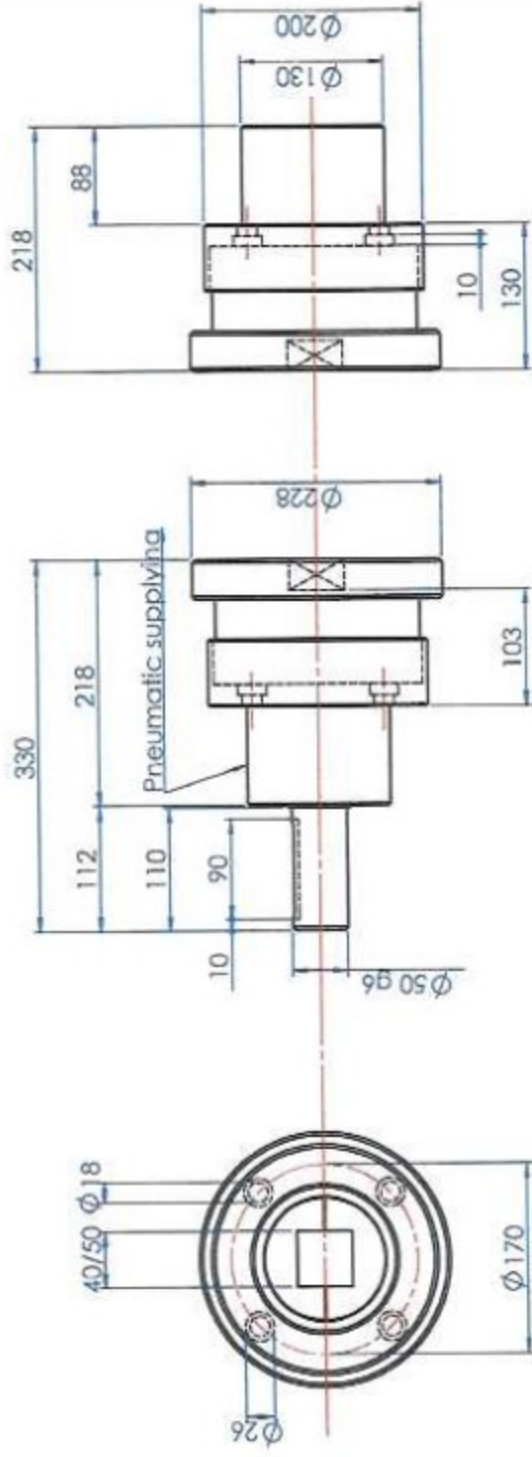
Rollweight : 28500 N

Torque : 1100 Nm



MBC
Guttin





SFE/G

SFE

Pneumatic safety chuck serie 2300 double effect

Pneumatic safety chuck serie 2301 simple effect

SAFETY CHUCK SERIE 2300-2301 40/50

Square : 40 to 50 depth 27

Rollweight : 28500 N

Torque : 1100 Nm



MBC
Guttin

