

MBC Guttin

The Expert of Winding and Unwinding



Manual safety chucks

PRESENTATION

French manufacturer of safety chucks, expandable airshafts, brakes and spreading equipment.

Several patents ensure quality and know-how our company.
Specific products



Pneumatic safety chucks



Self-centring pneumatic safety chuck

SIMPLIFIED MAINTENANCE :

- Interchangeability of wear parts within few minutes (**from the front face**)
- 100% Steel manufacturing (**easier to meet specific requirements**)
- Safety chucks with riveted bellows (in accordance with European norms)
- Changing the bladder in few minutes



Assembling



Expandable Material and spare parts

SECTORS OF ACTIVITIES



Spreading equipment

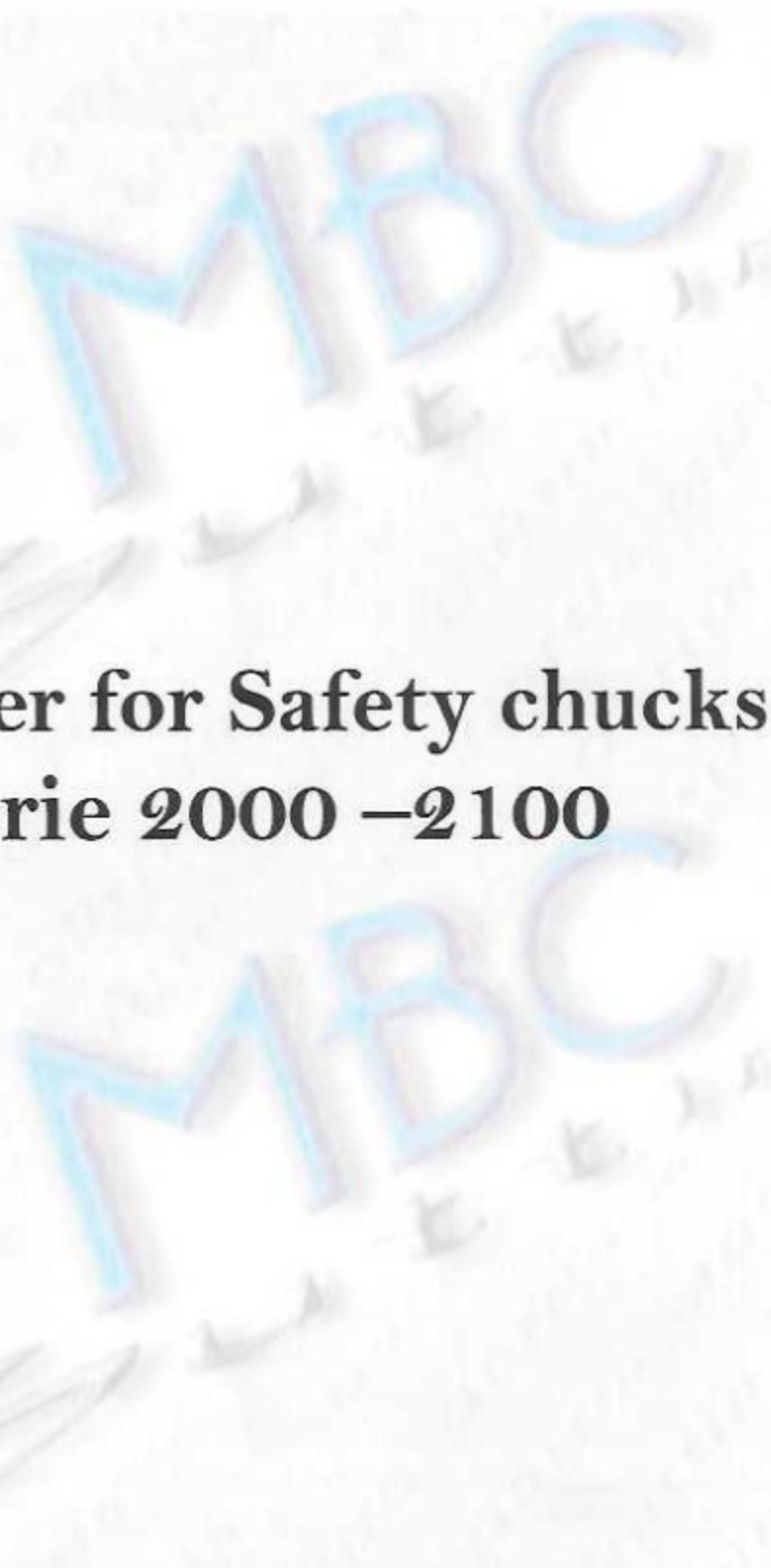


Brakes

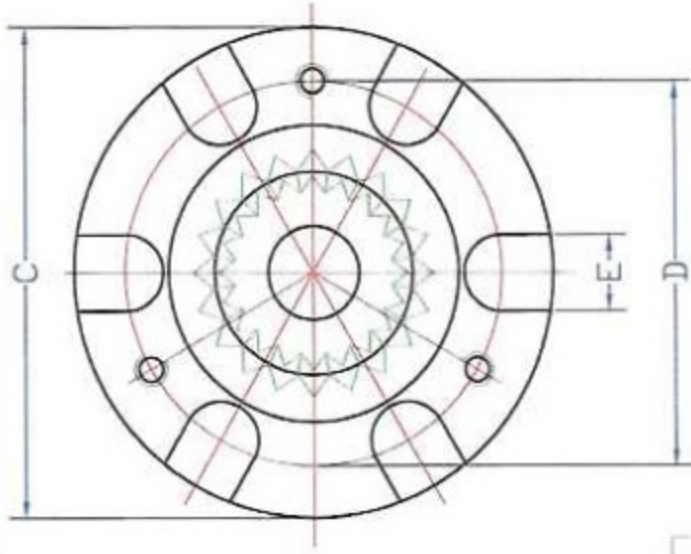
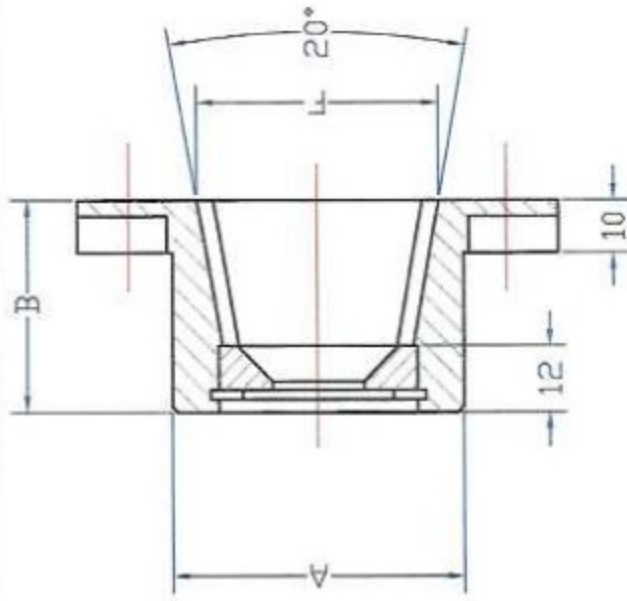


Others

ZI de Charancieu - 38490 CHARANCIEU
Tél : + 33 (0) 4 76 32 07 82 - Fax : + 33 (0) 4 76 32 29 56
www.guttin.com - guttinmbc@aliceadsl.fr



**Adapter for Safety chucks
Serie 2000 –2100**

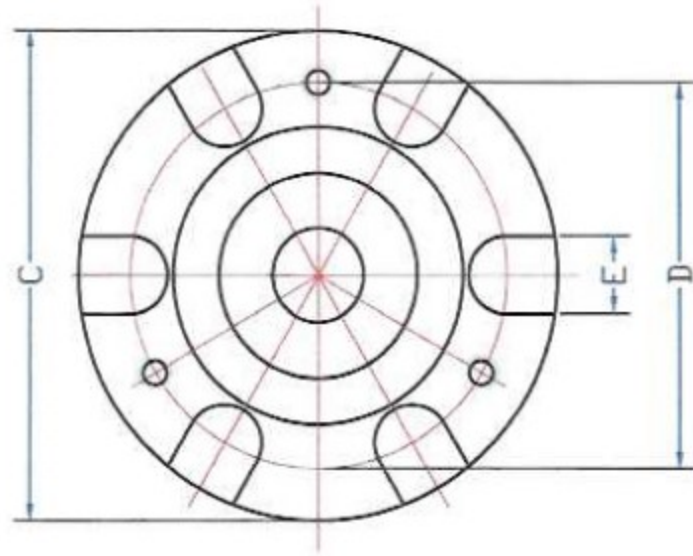
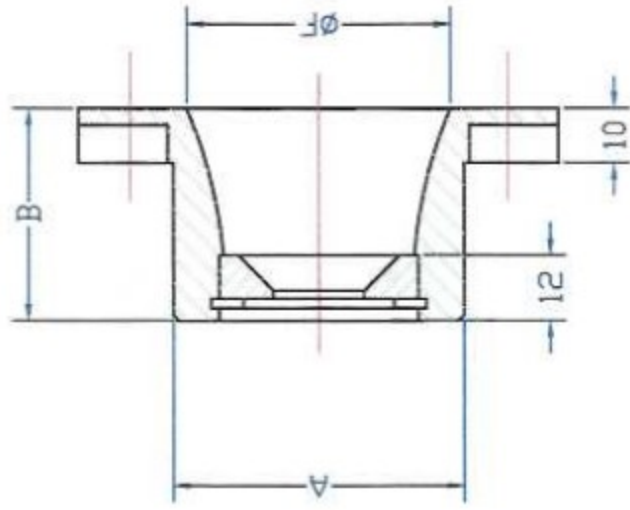


SAFETY CHUCK	20/30	30/40	40/50	50/80
MARK A	φ 54	φ 54	φ 62	φ 62
MARK B	39	39	39	39
MARK C	φ 77	φ 89	φ 89	φ 99
MARK D	φ 65	φ 70	φ 76	φ 80
MARK E	11	14	14	14
MARK F	φ 45	φ 45	φ 55	φ 55
TEETH Nb	20 TEETH	20 TEETH	24 TEETH	24 TEETH

MBC
Guttin

SAFETY CHUCK SERIE 2000/2100
 TYPE 20/30-30/40-40/50-50/80
 NOTCHED FEMALE
 CONICAL ADAPTER





SAFETY CHUCK	20/30	30/40	40/50	50/80
MARK A	φ 54	φ 54	φ 62	φ 62
MARK B	39	39	39	39
MARK C	φ 77	φ 89	φ 89	φ 99
MARK D	φ 65	φ 70	φ 76	φ 80
MARK E	11	14	14	14
MARK F	φ 49	φ 49	φ 59	φ 59

SAFETY CHUCK SERIE 2000/2100

TYPE 20/30-30/40-40/50-50/80

SMOOTH FEMALE

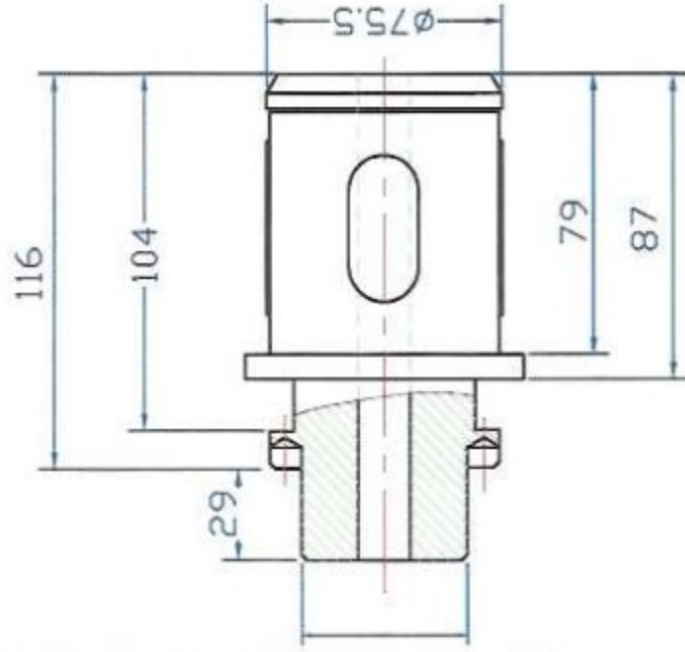
CONICAL ADAPTER

MBC

Guttin

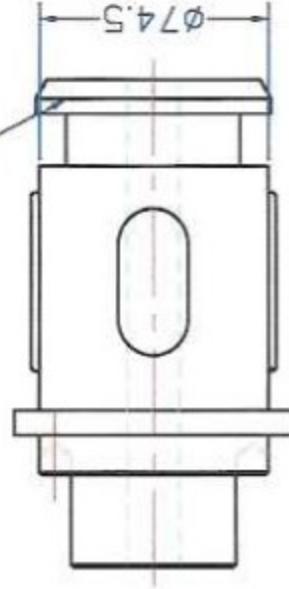


Ø62 SAFETY CHUCK 40/50-50/80
Ø54 SAFETY CHUCK 20/30-30/40



REST POSITION

CENTRER



WORK POSITION

SAFETY CHUCK serie 2000/2100

MBC

TYPE 20/30-30/40-40/50-50/80

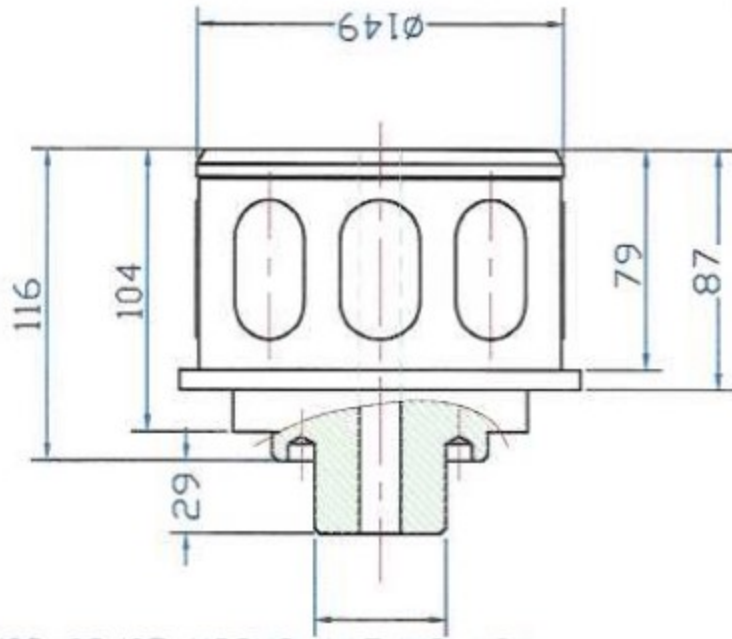
Guttin

MECHANICAL HEAD WITH EXPANSION

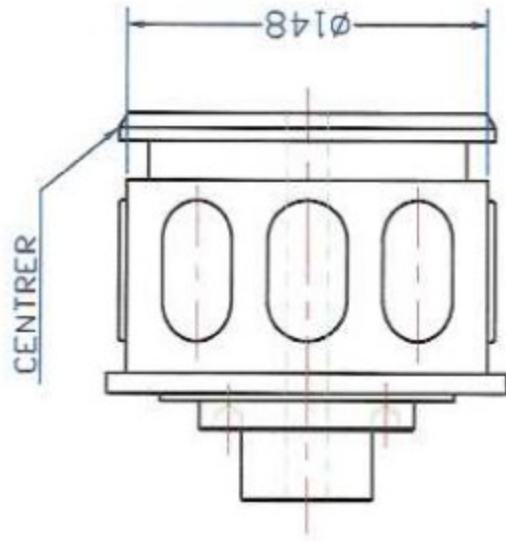
BY AXIAL PUSH AND CENTRER

Ø MINI MECHANICAL HEAD = Ø68.5

Ø62 SAFETY CHUCK 40/50-50/80
Ø54 SAFETY CHUCK 20/30-30/40



REST POSITION



WORK POSITION

SAFETY CHUCK serie 2000/2100

MBC

TYPE 20/30-30/40-40/50-50/80

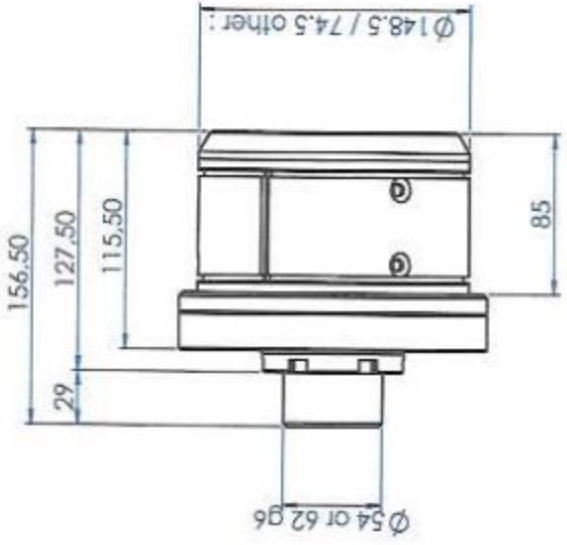
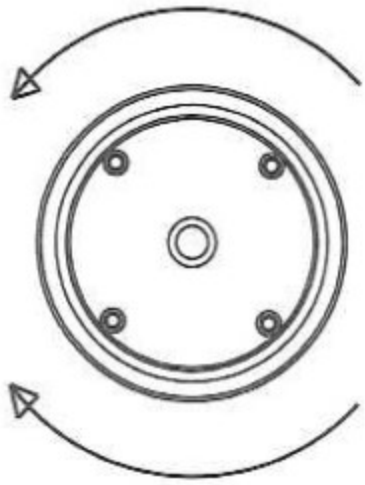
Guttin

MECHANICAL HEAD WITH EXPANSION

BY AXIAL PUSH AND CENTRER



Winding direction

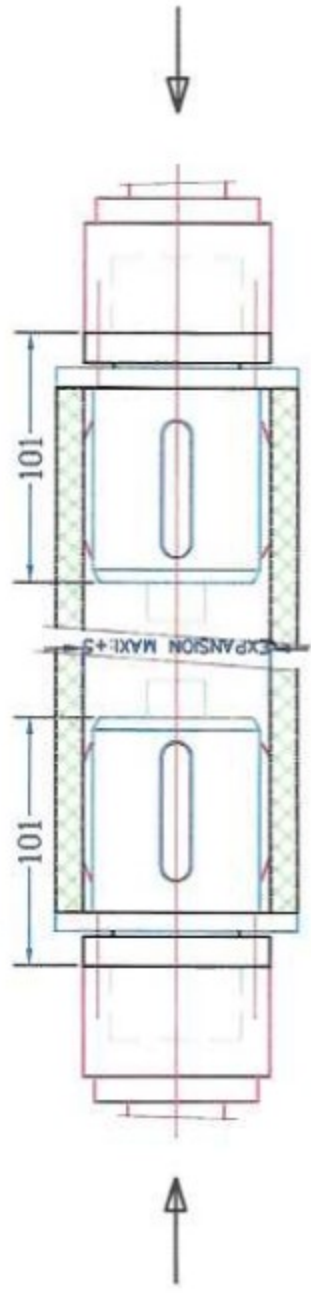
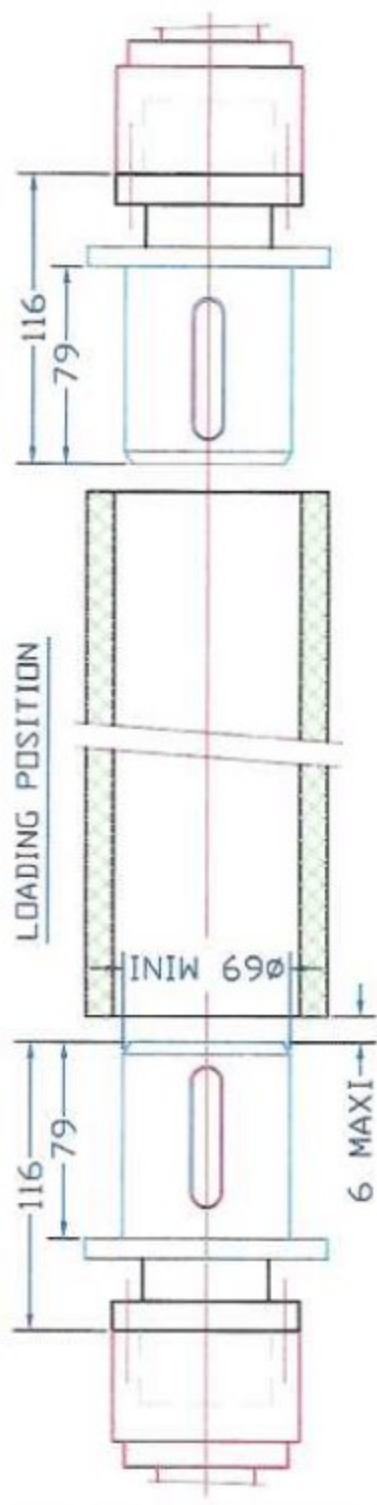


SAFETY CHUCK serie 2000 /2100

MBC
Guttin

Head - expansion by torque





WITH SAFETY CHUCK STROKE 100

SAFETY CHUCK serie 2000/2100

MBC

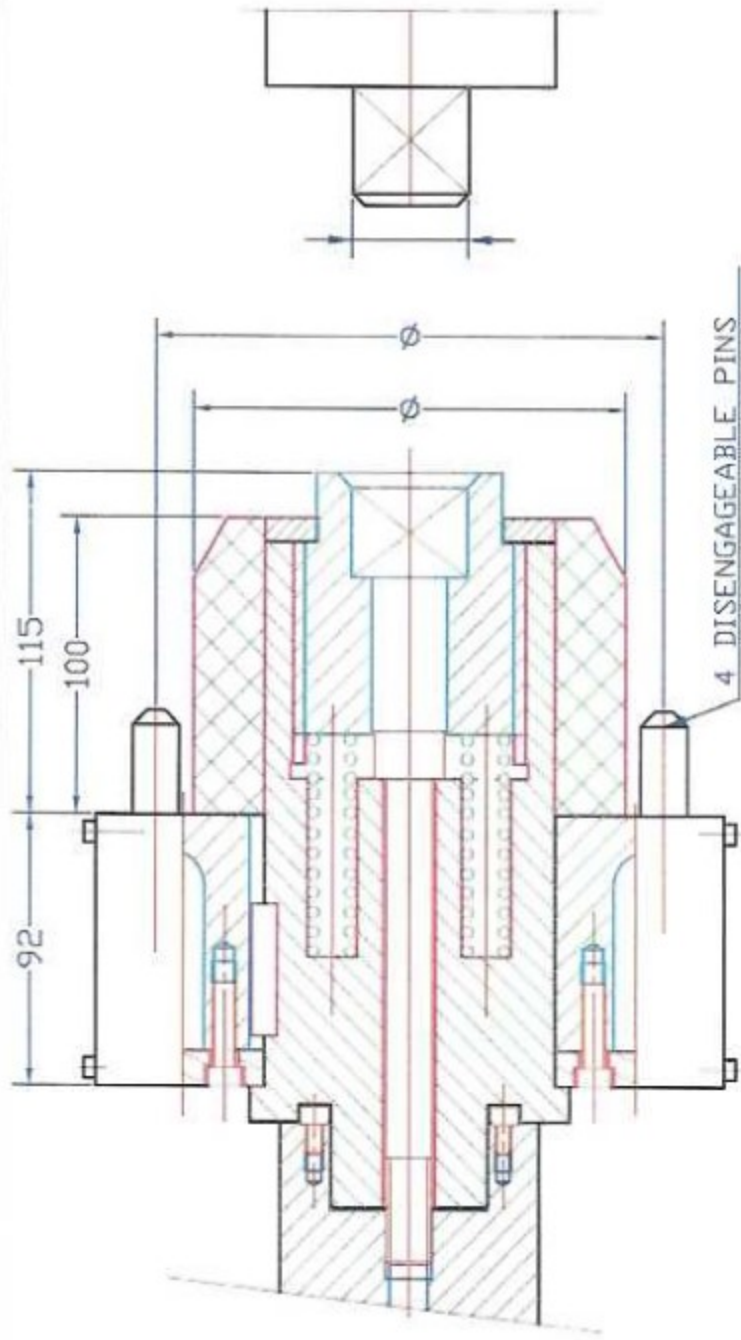
TYPE 20/30-30/40-40/50-50/80

Guttin

MECHANICAL HEAD

EXPANSION by AXIAL PUSH





TELESCOPIC AXIAL CONNECTING FOR ALL GEOMETRIES

(EXPANSIBLE AIRSHAFTS)

DISENGAGEABLE PINS FOR DIRECT DRIVING

CENTRING BY CORE REAMING

SAFETY CHUCK SERIE 2000/2100

MBC

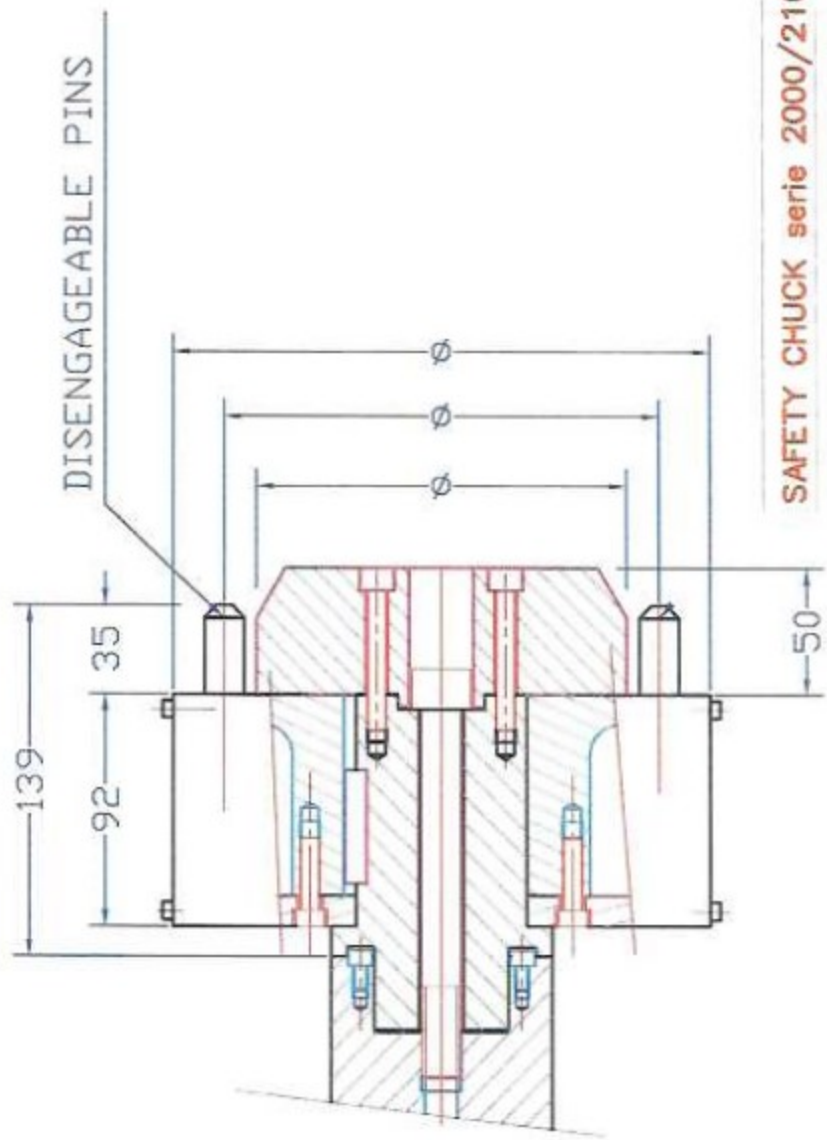
TYPE 20/30-30/40-40/50-50/80

Guttin

MIXED DRIVING HEAD WITH PINS

FOR HIGH TORQUES





SAFETY CHUCK serie 2000/2100 *MBC*

TYPE 20/30-30/40-40/50-50/80 *Guttin*

DRIVING HEAD with PINS

FOR HIGH TORQUES

