

# MBC Guttin

*The Expert of Winding and Unwinding*



*Manual safety chucks*



*Pneumatic safety chucks*



*Self-centring pneumatic safety chuck*

## PRESENTATION

French manufacturer of safety chucks, expandable airshafts, brakes and spreading equipment.

**Several patents** ensure quality and know-how our company.  
Specific products

## SIMPLIFIED MAINTENANCE :

- Interchangeability of wear parts within few minutes (**from the front face**)
- 100% Steel manufacturing (**easier to meet specific requirements**)
- Safety chucks with riveted bellows (in accordance with European norms)
- Changing the bladder in few minutes



*Assembling*



*Expandible Material and spare parts*

## SECTORS OF ACTIVITIES



*Spreading equipment*



*Spreader*



*Others*

ZI de Charancieu - 38490 CHARANCIEU  
Tél : + 33 (0) 4 76 32 07 82 - Fax : + 33 (0) 4 76 32 29 56  
[www.guttin.com](http://www.guttin.com) - [guttinmbc@aliceadsl.fr](mailto:guttinmbc@aliceadsl.fr)

## SPREADER ROLLS

*Curved Spreader Roll  
Fixed or variable bow*



*Spreader Roll with adjustable  
or fixed laths in stainless steel*



*Spreader Roll with fixed or  
adjustable ropes*



*Spreader Roll with spirals*



# TECHNICAL NOTES ABOUT CURVED SPREADER ROLLS WITH FIXED OR ADJUSTABLE CURVATURE

The curved spreader roll smoothes out and eliminates folds and creases. Notes for correct setting :

## ASSEMBLING:

- The spreader roll should be perfect perpendicular to the direction of product movement.
- The maximum spreading effect is achieved by reducing as much as possible the distance between the curved roll and the following roller.

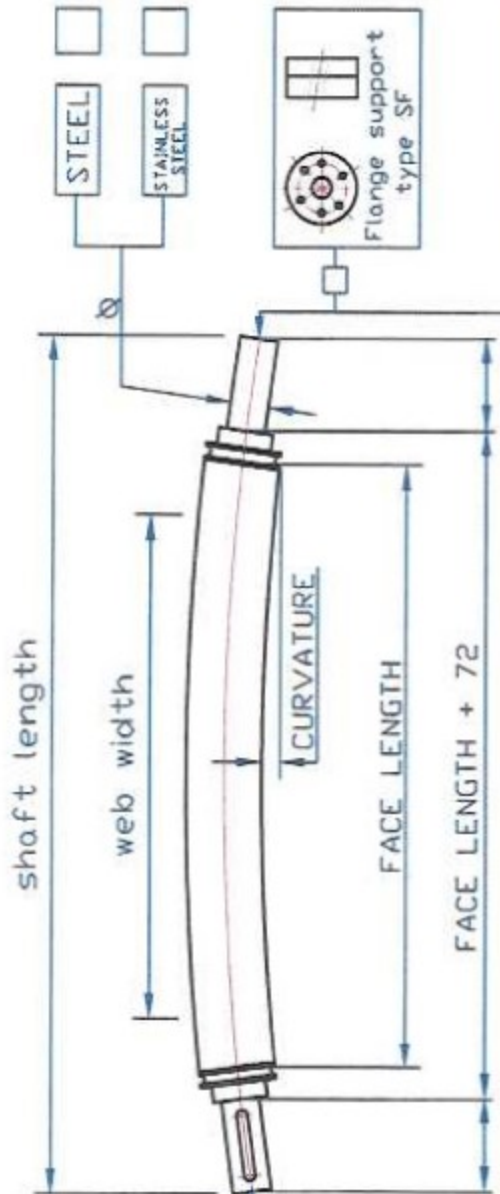
We recommend that **length B** is no greater than 2 or 3 times the diameter of the curved roll. In some cases it would be appropriate to add a return roller to reduce the length of the above values.

For the **distance A** the optimum value is between 4 and 8 times the diameter of the curved roll. Usually, the entry and exit angles are equal.

## MAIN SPREADING EFFECTS:

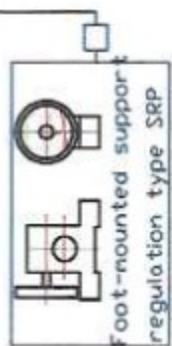
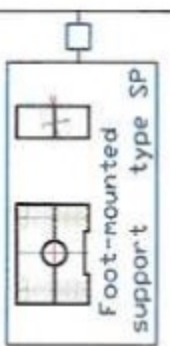
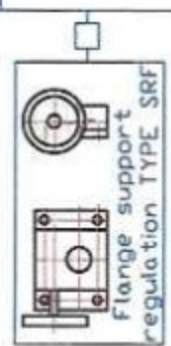
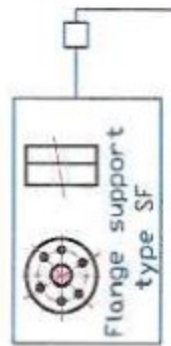
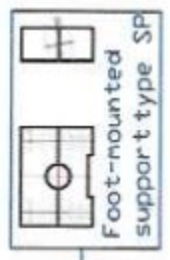
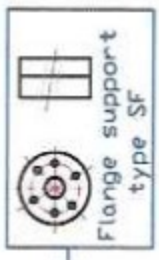
- Curvature of the roll : by increasing the curvature a greater spreading effect is obtained.
- Winding angles on the curved roll : by increasing the winding angle, the extension effect is increased. Moreover if the convex side of the curved roll is in the direction of the movement of the web, reducing the entry angle, a higher spreading effect is obtained especially on the material edges.
- Distance between the curved roll and successive roll : This distance depends on diameter of the curved spreader roll. It is generally three times diameter of spreader roll. By reducing the distance the spreading effect increases.





STEEL

STAINLESS STEEL



COATING : \_\_\_\_\_

- Ozone resistant
- Dry environment
- Wet environment
- Antistatic

Standard diameter :

- 85
- 100
- 120
- 155
- other :

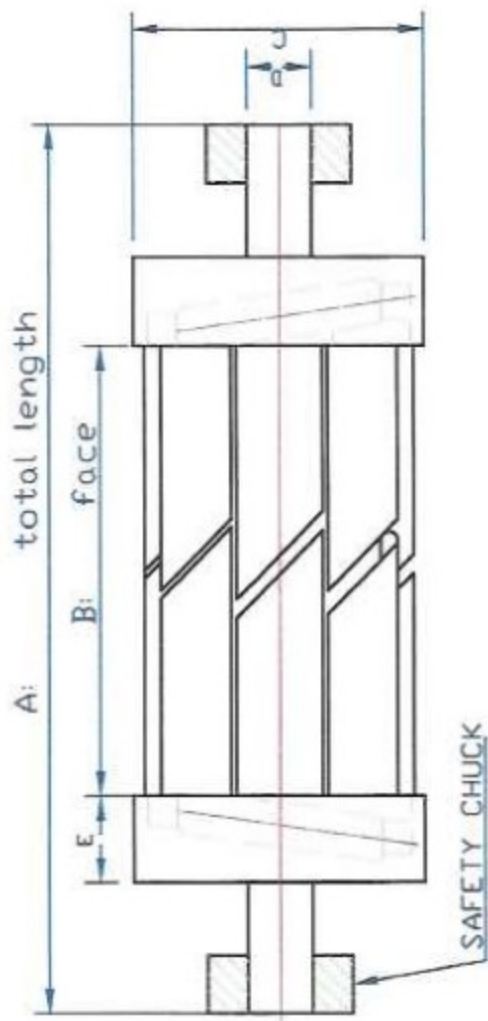
**MBC**  
**Guttin**

**CURVED SPREADER ROLL**  
**WITH SUPPORTS**

CUSTOMER : .....







φ	A	B	C	D	E
150			φ165	φ40 m/nl	60
170			φ190	φ40 m/nl	75
190			φ205	φ40 m/nl	75

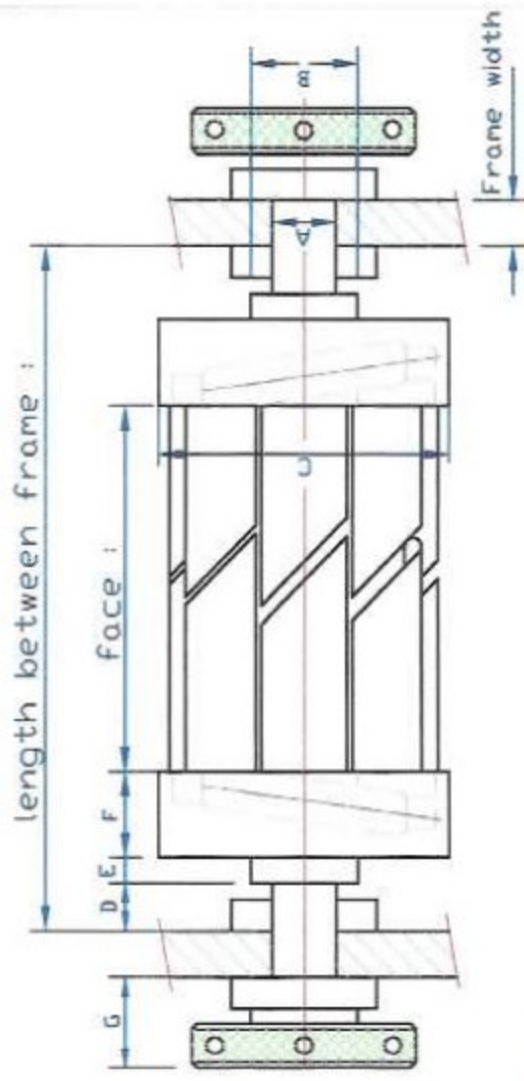
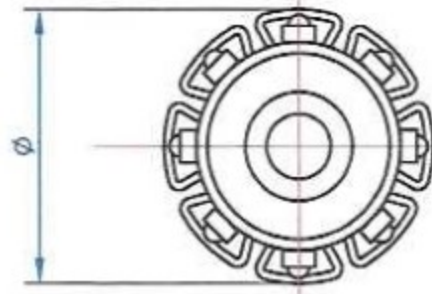
- Dry environment
- Wet environment
- Temperature: \_\_\_\_\_
- Speed: \_\_\_\_\_
- Tension: \_\_\_\_\_
- Chemical products: \_\_\_\_\_
- Motorized
- Angular position adjustment
- Heavy items
- Delicate items
- Web width: \_\_\_\_\_

**SPREADER ROLL WITH LATHS**  
**IN STAINLESS STEEL AND**  
**FIXED ANGULAR POSITION**

**MBC**  
**Guttin**

CUSTOMER : .....





- Dry environment
- Wet environment
- Temperature: \_\_\_\_\_
- Speed: \_\_\_\_\_
- Tension: \_\_\_\_\_
- Chemical products: \_\_\_\_\_

- Motorized
- Angular position adjustment
- Heavy items
- Delicate items
- Web width: \_\_\_\_\_

$\phi$	A	B	C	D	E	F	G
150	$\phi 40$ min	$\phi 65$	$\phi 165$	40 min	20	124	75
170	$\phi 40$ min	$\phi 65$	$\phi 190$	40 min	20	124	75
190	$\phi 40$ min	$\phi 65$	$\phi 205$	40 min	20	124	75

**SPREADER ROLL WITH LATHS IN**

**STAINLESS STEEL and**

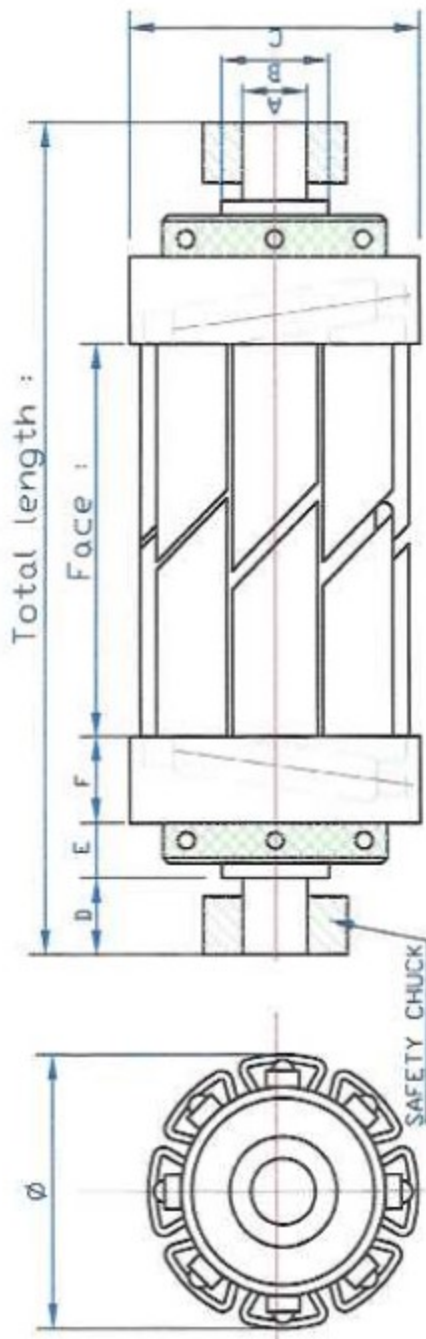
**ANGULAR POSITION ADJUSTMENT**

CUSTOMER : .....

**MBC**

**Guttin**





- Dry environment
- Wet environment
- Temperature: \_\_\_\_\_
- Speed: \_\_\_\_\_
- Tension: \_\_\_\_\_
- Chemical products: \_\_\_\_\_
- Motorized
- Angular position adjustment
- Heavy items
- Delicate items
- Web width: \_\_\_\_\_

$\varnothing$	A	B	C	D	E	F
150	$\varnothing 40$ min	$\varnothing 65$	$\varnothing 165$	35 min	37	124
170	$\varnothing 40$ min	$\varnothing 65$	$\varnothing 190$	35 min	37	124
190	$\varnothing 40$ min	$\varnothing 65$	$\varnothing 205$	35 min	37	124

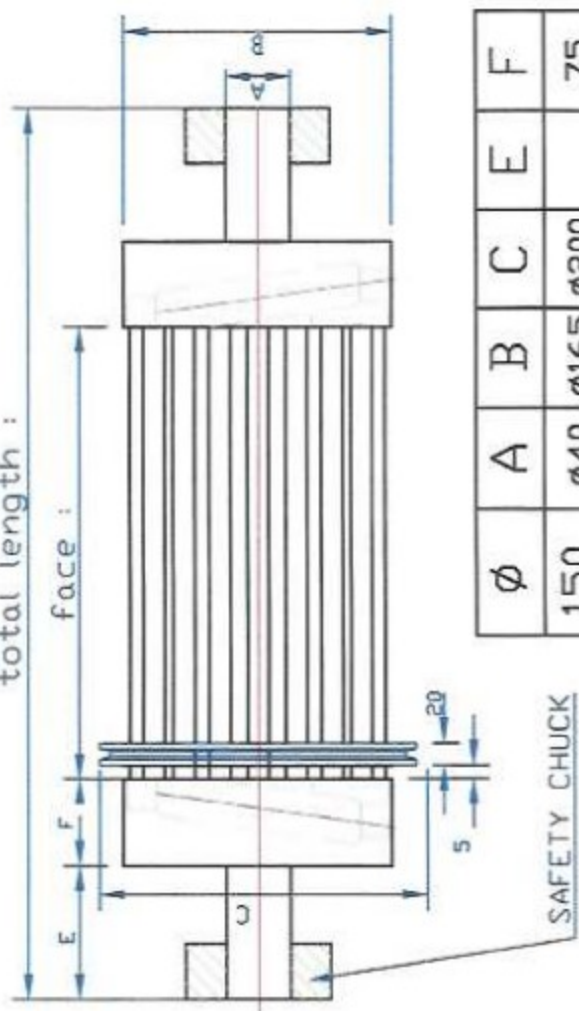
SPREADER ROLL WITH LATHS IN **MBC**  
 STAINLESS STEEL AND **Guttin**  
 ANGULAR POSITION ADJUSTMENT

CUSTOMER : .....



total length :

face :



$\phi$	A	B	C	E	F
150	$\phi 40$	$\phi 165$	$\phi 200$		75
170	$\phi 40$	$\phi 190$	$\phi 220$		75
200	$\phi 40$	$\phi 218$	$\phi 250$		83

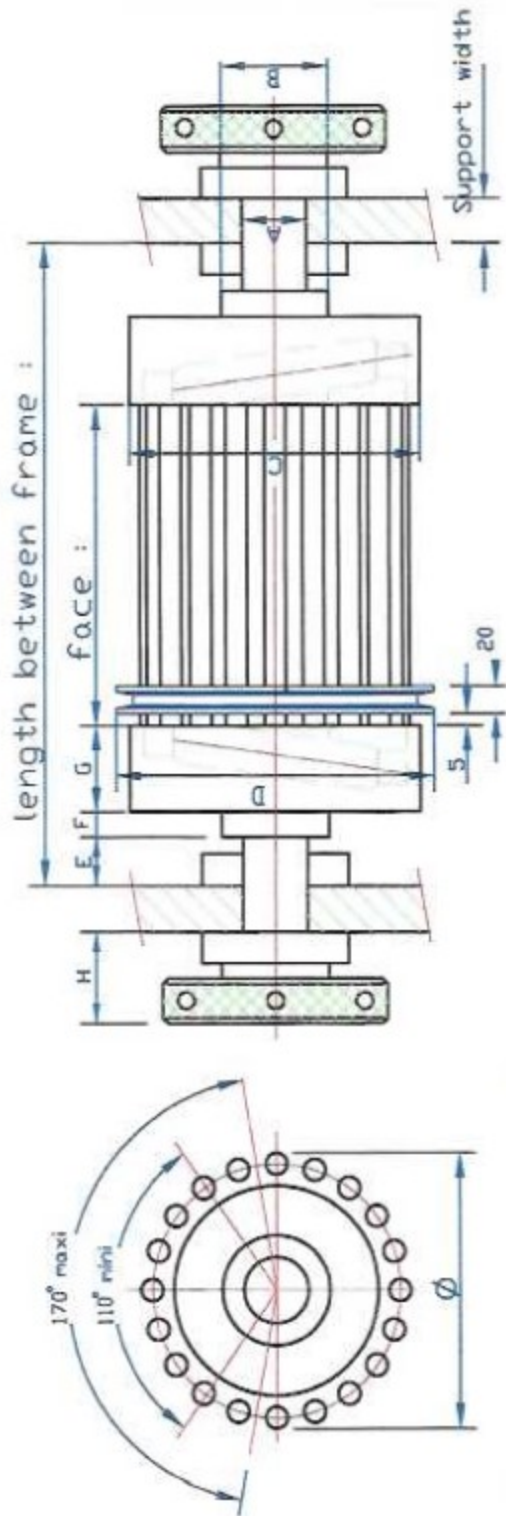
- Dry environment
- Wet environment
- Temperature: \_\_\_\_\_
- Speed : \_\_\_\_\_
- Tension : \_\_\_\_\_
- Chemical products : \_\_\_\_\_
- Motorized
- Heavy items
- Delicate items
- Web width : \_\_\_\_\_

**SPREADER ROLL WITH ROPES** *MBC*  
**FIXED ANGULAR POSITION** *Guttin*

CUSTOMER : .....







- Dry environment
- Wet environment
- Temperature: \_\_\_\_\_
- Speed : \_\_\_\_\_
- Tension: \_\_\_\_\_
- Chemical products : \_\_\_\_\_
- Motorized
- Angular position adjustment
- Heavy items
- Delicate items
- Web width : \_\_\_\_\_

$\phi$	A	B	C	D	E	F	G	H
150	$\phi 40$ min	$\phi 65$	$\phi 165$	$\phi 200$	40 min	20	124	75
170	$\phi 40$ min	$\phi 65$	$\phi 190$	$\phi 220$	40 min	20	124	75
200	$\phi 40$ min	$\phi 65$	$\phi 218$	$\phi 250$	40 min	20	124	75

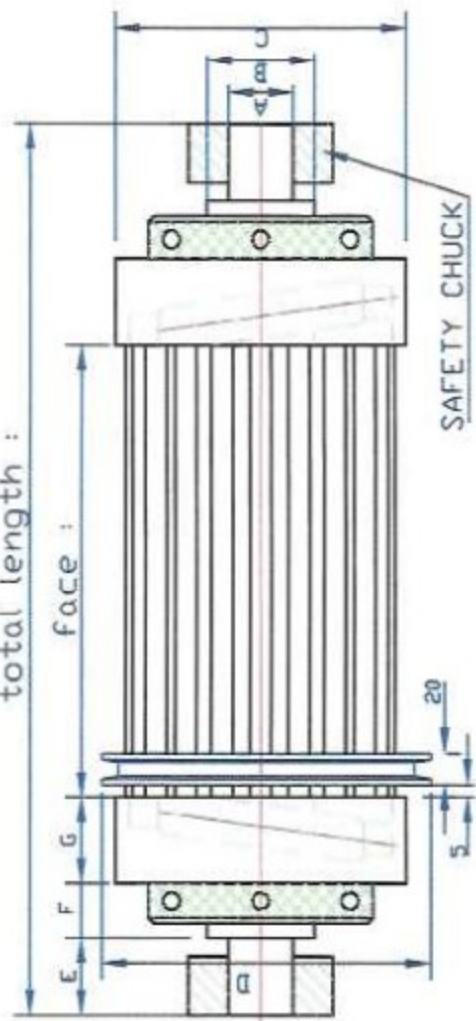
**SPREADER ROLL WITH ROPES AND** *MBC*  
**ANGULAR POSITION ADJUSTMENT** *Gutin*

CUSTOMER : .....



total length :

face :



- Dry environment
- Wet environment
- Temperature: \_\_\_\_\_
- Speed : \_\_\_\_\_
- Tension: \_\_\_\_\_
- Chemical products : \_\_\_\_\_
- Motorized
- Angular position adjustment
- Heavy items
- Delicate items
- Web width : \_\_\_\_\_

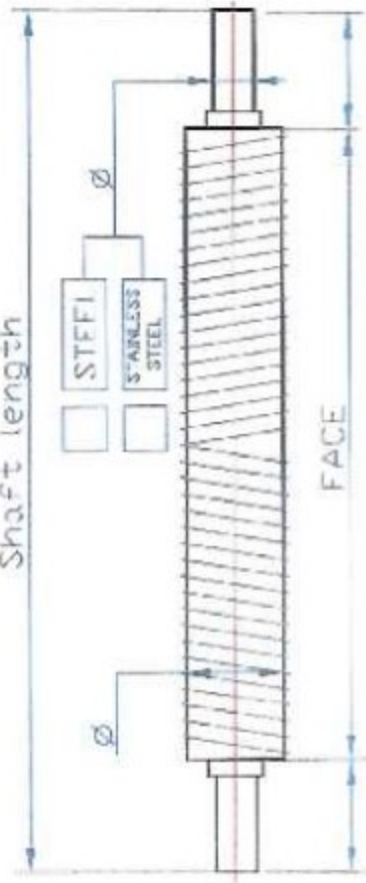
Ø	A	B	C	D	E	F	G
150	Ø40 mini	Ø65	Ø165	Ø200	35 mini	37	124
170	Ø40 mini	Ø65	Ø190	Ø220	35 mini	37	124
200	Ø40 mini	Ø65	Ø218	Ø250	35 mini	37	124

**SPREADER ROLL WITH ROPES AND** *MBC*  
**ANGULAR POSITION ADJUSTMENT** *Guttin*

CUSTOMER : .....



Shaft length



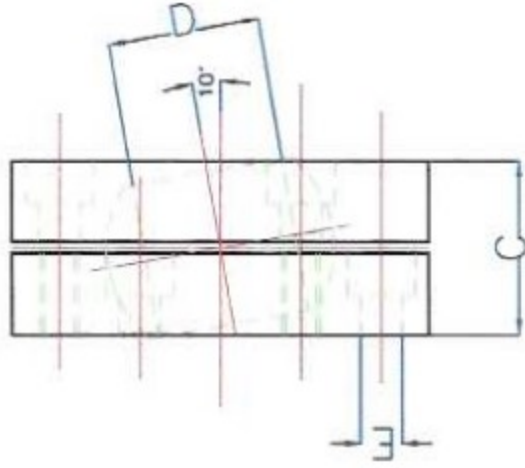
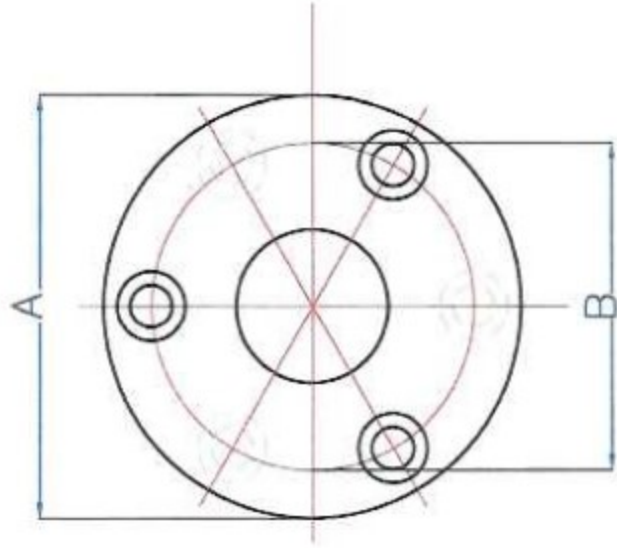
ARTICLE	FABRIC IN ROPE FORM	PLAITED FABRIC
KNITS	< 400 gr / m <sup>2</sup>	A
KNITS	> 400 gr / m <sup>2</sup>	A
WOVEN	< 600 gr / m <sup>2</sup>	A
WOVEN	> 600 gr / m <sup>2</sup>	P
DELICATE ARTICLES		D
PARTICULAR APPLICATIONS		E

SPREADER ROLL WITH SPIRAL

MBC

Guttin

CUSTOMER : .....



REF SUPPORT	A	B	C	D	E
SF 4	ø110	ø85	45	ø40	ø11
SF 5	ø135	ø105	60	ø50	ø13
SF 6	ø140	ø115	60	ø60	ø13
SF 8	ø180	ø145	100	ø80	ø17

**CURVED SPREADER ROLL**

**MBC**

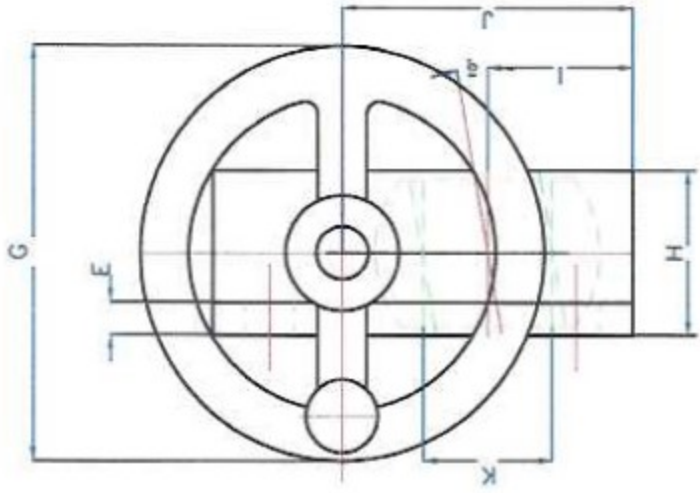
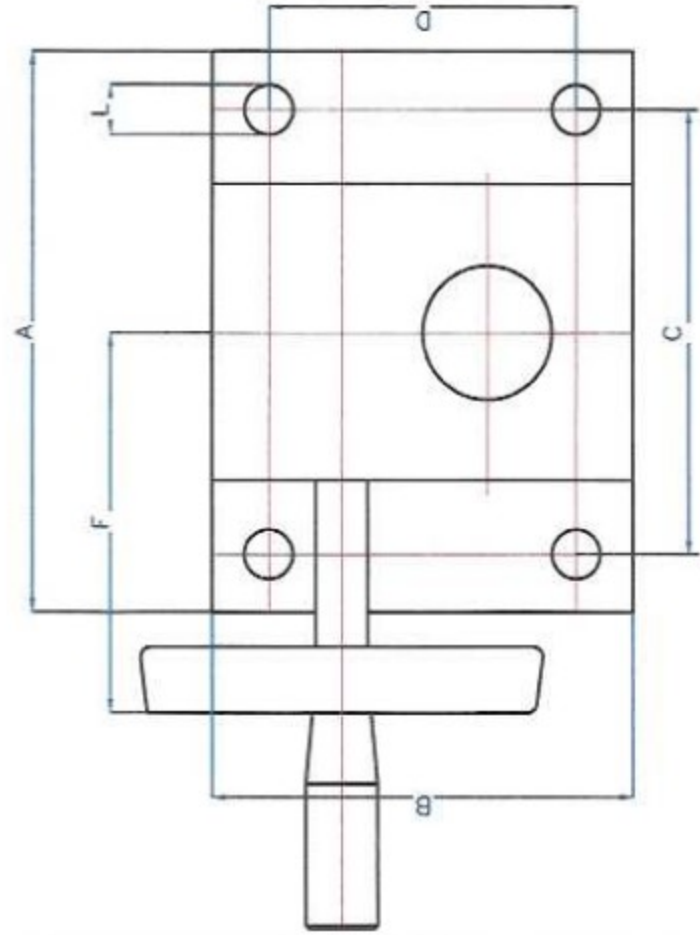
**FLANGE-MOUNTED SUPPORT TYPE SF**

**Guttin**

CUSTOMER : .....







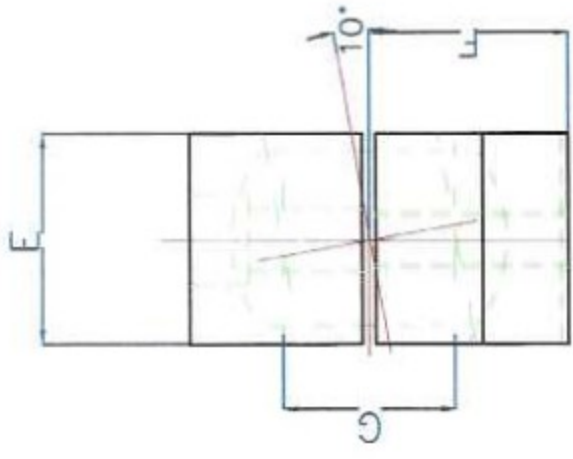
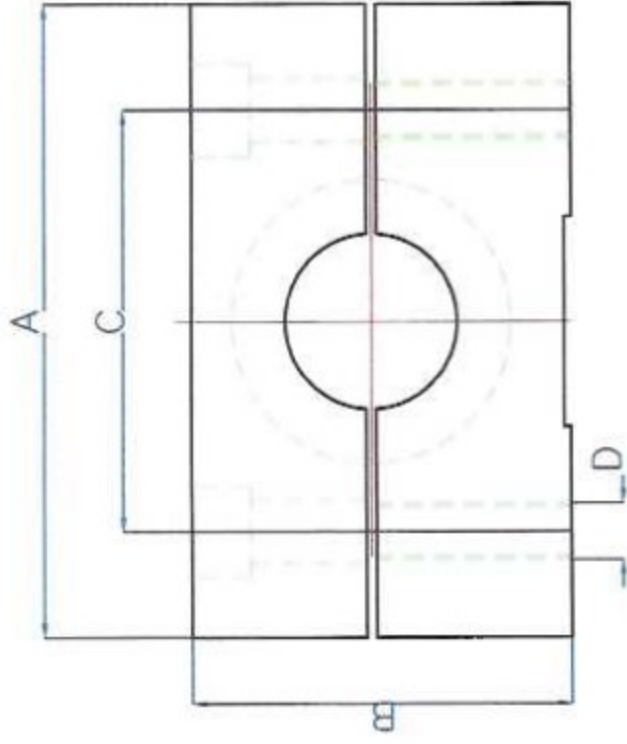
REF CHUCK	A	B	C	D	E	F	G	H	I	J	K	L
<b>SRF 4</b>	170	130	135	95	10	140	100	50	45	90	φ40	φ15
<b>SRF 5</b>	200	150	160	110	15	150	125	65	58	110	φ50	φ17
<b>SRF 6</b>	210	180	170	140	18	150	200	70	67	128	φ60	φ17
<b>SRF 8</b>	240	250	200	210	25	170	250	100	110	192	φ80	φ17

**CURVED SPREADER ROLL**  
**WITH FLANGE SUPPORT**  
**AND REGULATION TYPE SRF**

**MBC**  
**Guttin**

CUSTOMER : .....





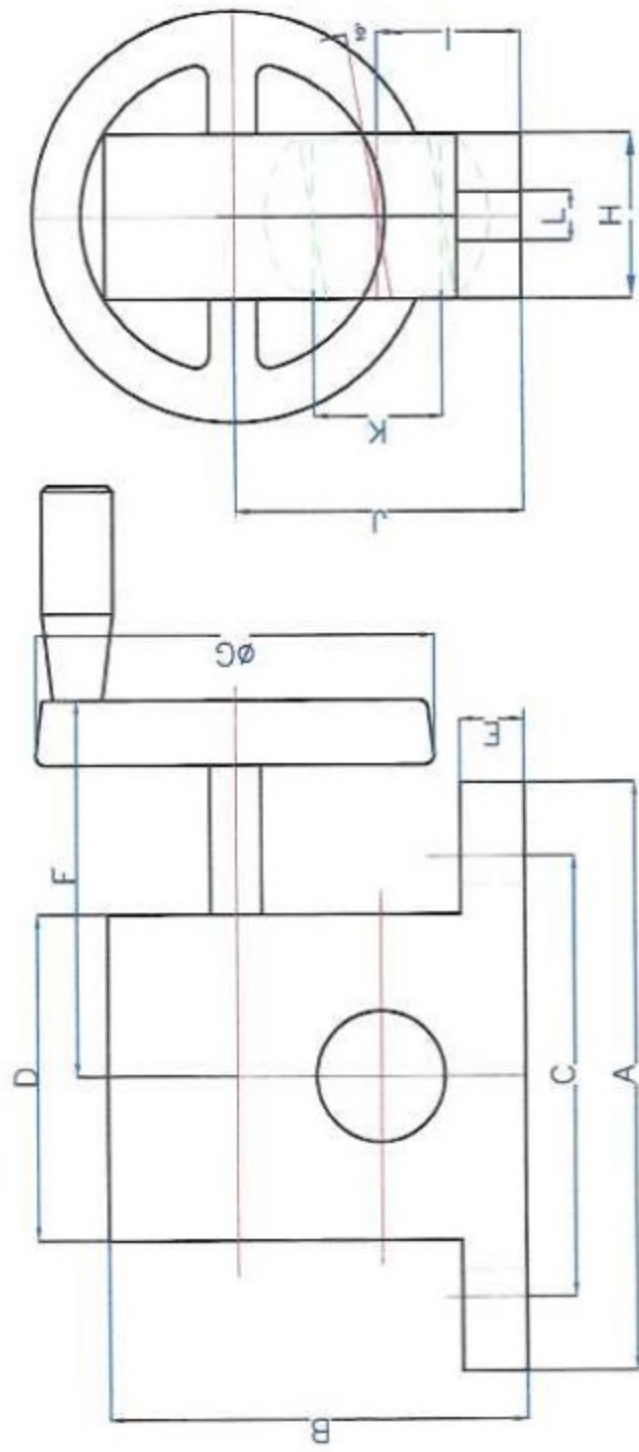
REF SUPPORT	A	B	C	D	E	F	G
<b>SP 4</b>	135	85	90	M14	45	45	∅40
<b>SP 5</b>	180	110	120	M16	60	58	∅50
<b>SP 6</b>	180	130	135	M16	60	68	∅60
<b>SP 8</b>	240	155	200	M16	90	80	∅80

**CURVED SPREADER ROLL**  
**FOOT-MOUNTED SUPPORT TYPE SP**

**MBC**  
**Guttin**

CUSTOMER : .....





REG SUPPORT	A	B	C	D	E	F	G	H	I	J	K	L
SRP 4	180	130	135	100	20	140	100	50	45	90	ø40	ø15
SRP 5	210	150	160	120	25	150	125	65	58	110	ø50	ø17
SRP 6	220	170	170	130	35	150	200	70	67	128	ø60	ø17
SRP 8	240	215	200	160	40	170	250	90	80	162	ø80	ø17

**MBC**  
**Guttin**

**CURVED SPREADER ROLL**  
**FOOT-MOUNTED SUPPORT**  
**with REGULATION TYPE SRP**

CUSTOMER : .....

