

# H

通用水介质旋转接头

---

**ROTARY JOINTS**

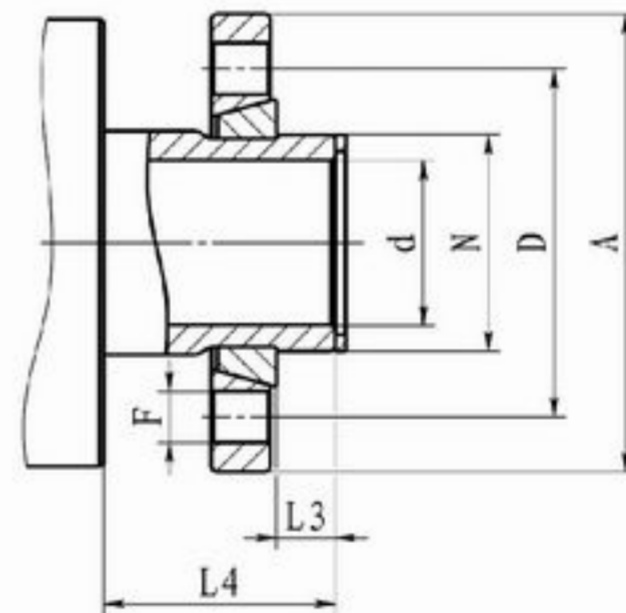
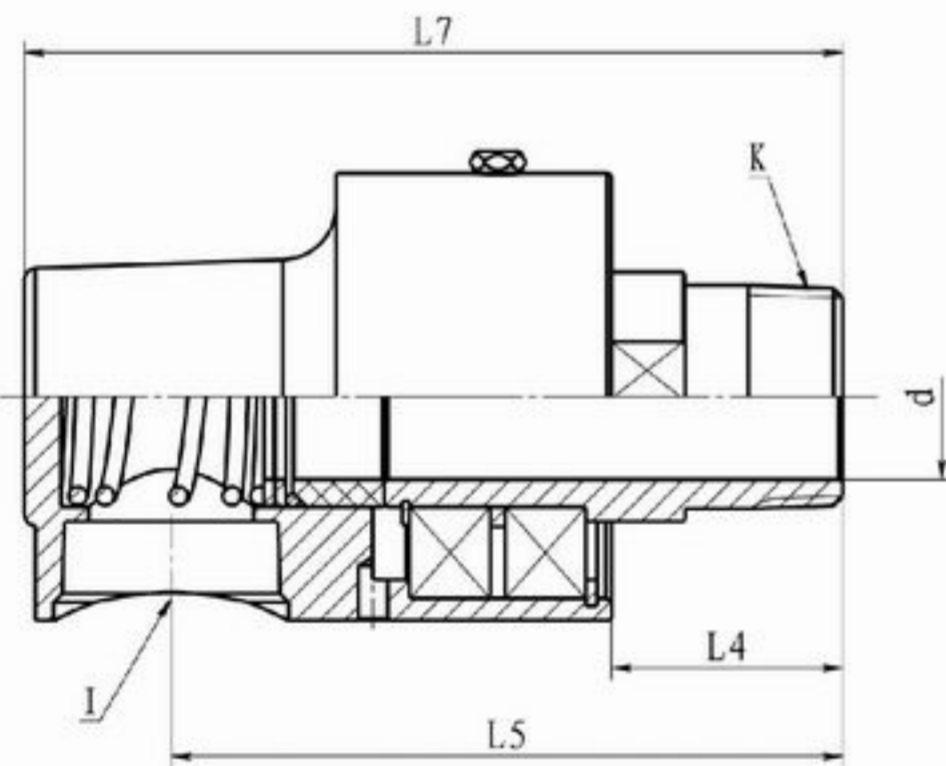
## H Rotary Joints



平面密封技术  
 优良的平衡式密封设计  
 自支撑固定  
 高精度滚动轴承  
 不锈钢外管  
 通用性好、便于互换  
 长寿命、高可靠性

Graphite/stainless steel seals  
 Balanced mechanical seals  
 Self-supported design  
 Double row ball bearings  
 Stainless steel nipple  
 General purpose Rotary Joint  
 Long life and good stability

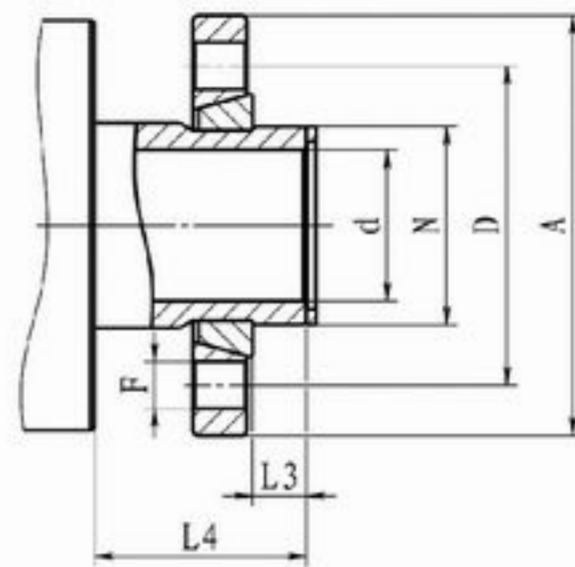
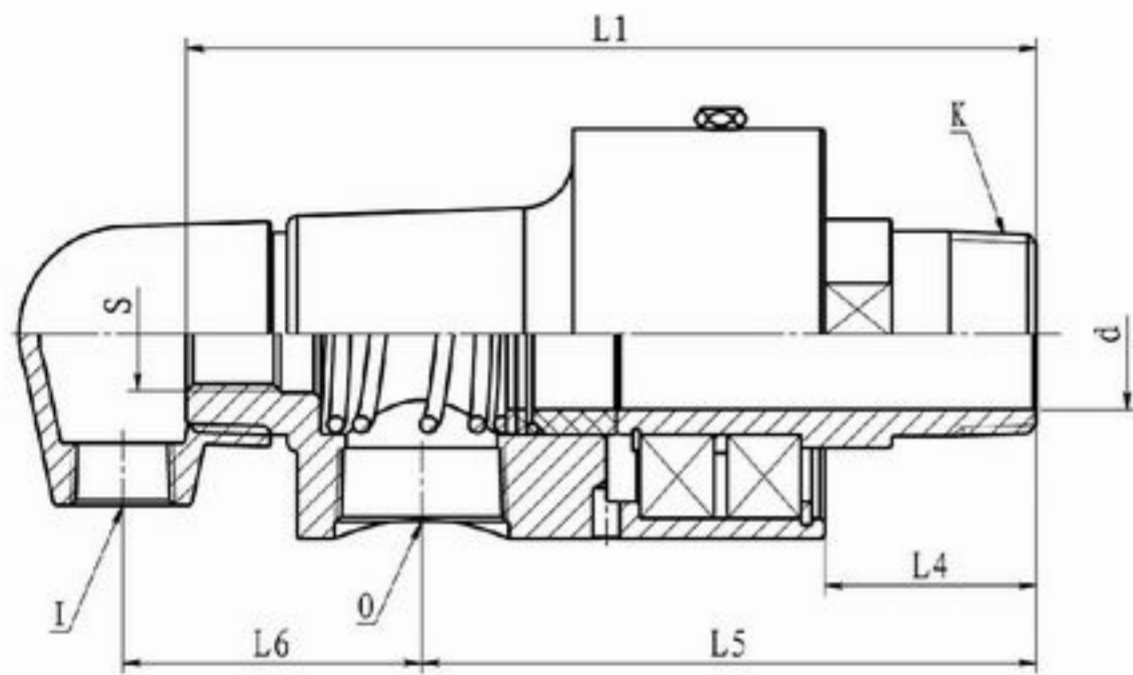
最大水压力: (Max. Water Pressure)	11 Bar	最高转速: (Max. Speed Rotors with)	通径(Model) 6 - 20	1500 RPM
最大空气压力: (Max. Air Pressure)	11 Bar	*通空气时的最大转速 请咨询腾旋公司 * (Please consult TENGXUAN for Max. Speed in air applications)	通径(Model) 25 - 40 通径(Model) 50 - 65 通径(Model) 80	700 RPM 650 RPM 450 RPM
最高温度: (Max. Temperature)	90 °C	常用介质(Media):	水 Water, 空气 Air	
* 超过 90°C 请联系腾旋 ( > 90 °C consult TENGXUAN)		常规口径(Sizes):	1/8" — 3"	



**HD**  
 单通  
 MONO FLOW

Model	K	I	Φd	L4	L5	L7
HD006	R1/8"	Rc1/8"	3	30.5	75.5	85.5
HD008	R1/4"	R1/4"	5	30.5	75.5	85.5
HD010	R3/8"	Rc3/8"	10	39	99	116
HD015	R1/2"	Rc1/2"	12	39	99	116
HD020	R3/4"	Rc 3/4"	16	45	110	135
HD025	R1"	Rc 1"	20	48	121	146
HD032	R1-1/4"	Rc 1-1/4"	30	52	140	171
HD040	R1-1/2"	Rc 1-1/2"	35	58	148	181
HD050	R2"	Rc2"	45	63	183	223
HD065	R2-1/2"	Rc 2-1/2"	60	72	212	257

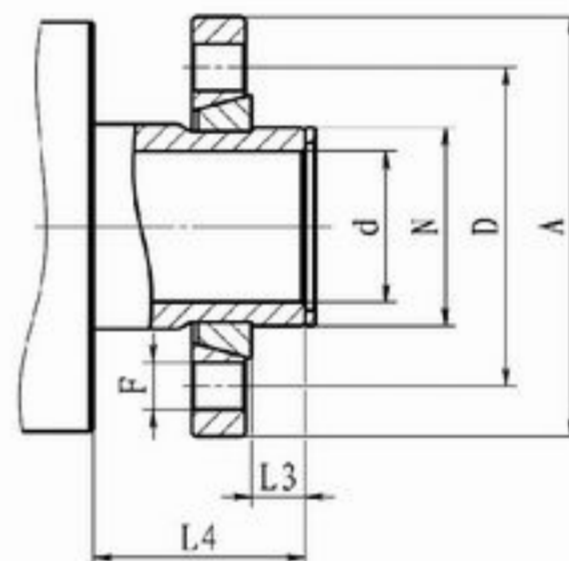
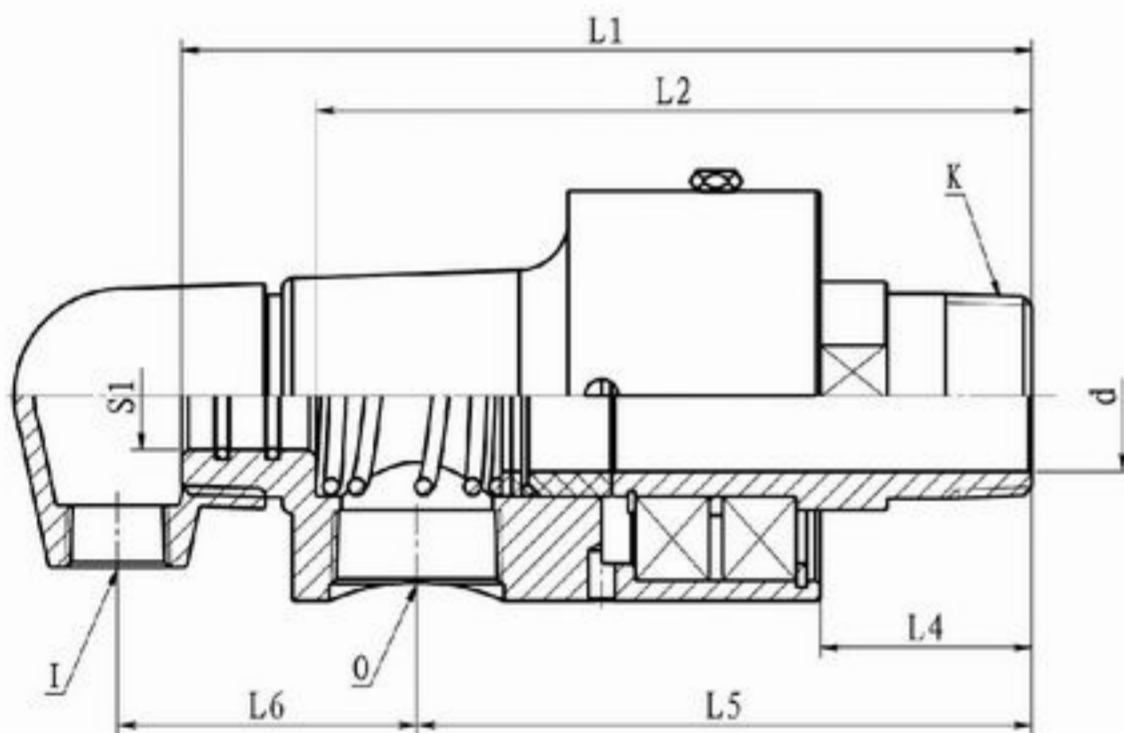
注意：随着介质、口径、压力、转速、温度的不同，使用极限也不同，在特殊条件下，请与无锡腾旋公司联系，以确定安全极限。  
 Note: Maximum limits vary in relation to changes in media, size, rpm, pressure and temperature. Consult Tengxuan for safe limitations under your specific application conditions.



## HS-G

双通/固定式内管  
DUAL FLOW  
STATIONARY INTERNAL PIPE

Model	K	O	I	S	Φd	L1	L4	L5	L6
HS-G015	R1/2"	Rc1/2"	Rc 1/2"	G1/8"	12	133	39	99	44
HS-G020	R3/4"	Rc3/4"	Rc 1/2"	G1/4"	16	152	45	110	50
HS-G025	R1"	Rc 3/4"	Rc 1/2"	G3/8"	20	163	48	121	54
HS-G032	R1-1/4"	Rc 1-1/4"	Rc 3/4"	G1/2"	30	196	52	140	68
HS-G040	R1-1/2"	Rc 1-1/2"	Rc 3/4"	G3/4"	35	206	58	148	74
HS-G050	R2"	Rc 1-1/2"	Rc 1"	G1"	45	253	63	183	89
HS-G065	R2-1/2"	Rc 2"	Rc 1-1/4"	G1-1/4"	60	297	72	212	105



## HS-X

双通/旋转式内管  
DUAL FLOW  
ROTARY INTERNAL PIPE

Model	K	O	I	S1	Φd	L1	L2	L4	L5	L6
HS-X015	R1/2"	Rc1/2"	Rc 1/2"	10	12	133	109	39	99	44
HS-X020	R3/4"	Rc3/4"	Rc 1/2"	12	16	152	122	45	110	50
HS-X025	R1"	Rc 3/4"	Rc 1/2"	16	20	163	133	48	121	54
HS-X032	R1-1/4"	Rc 1-1/4"	Rc 3/4"	20	30	196	160	52	140	68
HS-X040	R1-1/2"	Rc 1-1/2"	Rc 3/4"	25	35	206	169	58	148	74
HS-X050	R2"	Rc 1-1/2"	Rc 1"	32	45	253	213	63	183	89
HS-X065	R2-1/2"	Rc 2"	Rc 1-1/4"	40	60	297	240	72	212	105



### 轴头快换法兰尺寸对照表 Quick Release Flanges Type K

Nominal Size	ΦA	ΦD	ΦN	E	R	L3
015 1/2"	80	55	23	14	4-Φ10	8
020 3/4"	80	55	26	14	4-Φ12	11
025 1"	90	65	32.3	14	4-Φ12	11
032 1-1/4"	100	75	41	16	4-Φ14	13
040 1-1/2"	115	85	47.5	16	4-Φ14	13
050 2"	125	95	59	16	4-Φ14	16
065 2-1/2"	140	110	72	18	4-Φ14	19
080 3"	160	130	90	20	6-Φ14	25



### H型旋转接头型号代码对照

Rotary Joint ordering code example



# 江苏腾旋科技股份有限公司 TENGXUAN TECHNOLOGY CO., LTD.

腾旋科技（股票代码430602），成立于1999年，是专业研发、生产和销售旋转接头及其相关液压产品的高新技术企业。公司长期致力于动密封与磨擦技术的研究，在旋转接头领域处于国内领先地位。

公司于2009年建立了旋转接头研发中心，与韩国、美国等专业研发机构进行技术合作，并聘请美国、意大利行业资深专家加入研发团队。公司自主研发了多种高温、高压、高速旋转接头，填补了国内空白。身为全国机械密封标准化技术委员会理事单位，腾旋科技作为第一起草人起草的新版旋转接头行业标准（JB/T8725-2013），已于2013年执行。腾旋科技累计获得了323项专利，其中包括7项发明专利。

公司拥有各类精密机床、数控加工中心及其它专业检测设备160余台套，并严格按照ISO 9001质量体系要求组织设计、生产和销售服务，产品已广泛应用于造纸、钢铁、纺织、印染、橡塑、船舶、化工及工程机械等行业，并赢得国内外众多知名客户的青睐。

我们不仅提供优质的产品，更提供精诚的服务；我们不仅提供技术支持，更提供专业的整体解决方案。

Tengxuan Technology (stock code: 430602) is a high-tech enterprise specializing in research, development and manufacturing of rotary joints and related hydraulic products. Founded in 1999, Tengxuan has been devoting to dynamic seal and friction technology research, and is well-known as market leader of rotary joints in China.

Tengxuan established R&D center in 2009, cooperated with professional research institutions in South Korea and USA. Senior experts from USA and Italy have joined Tengxuan. Tengxuan has developed independently a series of products be qualified in high temperature, high pressure or high speed working conditions. All these products have been successfully substituted for imported products. As a national standardization technical committee member of mechanical seal, Tengxuan is the first editor of new rotary joint industry standards (JB/T8725-2013), which has been implemented from 2013. Tengxuan has totally obtained 300 patents, including 7 invention patents.

Tengxuan has a modern workshop with more than 160 sets CNC and other equipment. All Tengxuan products are made from approved premium raw material and seals with lean manufacturing. Our quality management system is ISO 9001. From paper, steel, rubber, to textile, dyeing and construction machinery, Tengxuan has been well recognized by customers in these key industries both at home and abroad.

Along with high quality products, Tengxuan also offers customers the highest level technical support and professional total solution.



扫一扫  
进腾旋网站



旋转接头  
关节接头  
中央回转接头  
机械密封  
金属软管  
虹吸器  
扰流器  
纸芯夹头  
涂料筛  
干网清洗  
移动喷淋执行机构

Rotary Joints  
Swivel Joints  
Hydraulic Central Rotary Joint  
Mechanical Seals  
Hoses  
Syphons  
Turbulator Bars  
Core Chucks  
Screen Filter  
Dryer Felt Cleaner  
Shower Oscillator Systems



蒸汽节能系统  
涂辅料系统

Steam & Condensate Systems  
Coating & Supplementary Materials Systems



地址：中国·江苏·无锡市新区梅村工业集中区新都路6号  
电话：0510 68787000 88159440  
传真：0510 88159405 邮编：214112  
E-mail: sales@txuan.net  
网址：www.tengxuan.net

ADD: No.6 Xindu Road, Meicun industrial zone,  
New district, Wuxi, Jiangsu. P.R.China 214112  
TEL: +86 510 68787000 88159440  
FAX: +86 510 88159405  
E-mail: txuan@txuan.net  
WEB: www.tengxuan.net

