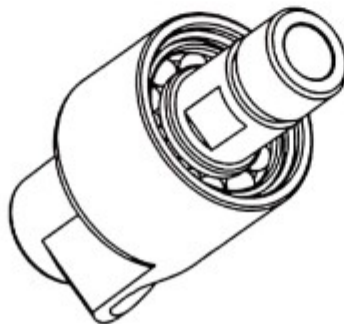


Technical Parameters:

Max Speed: 700r/min
 Max Temperature: 90 °C
 Max Pressure: 1.1Mpa
 Media: water



UNLESS OTHERWISE SPECIFIED: DIMENSIONS ARE IN MILLIMETERS SURFACE FINISH TOLERANCES: LINEAR ANGULAR:		FINISH:	DEBUR AND BREAK SHARP EDGES	DO NOT SCALE DRAWING	REVISION
DESIGN	NAME	SIGNATURE	DATE	Txuan Tengxuan TITLE: HD-L025(G-RH)-AOH Rotary Joint DWG NO. A4	
CHK'D					
APP'D					
MFG					
QA					
MATERIAL:			WEIGHT:	SCALE: 1:1	SHEET 1 OF 1