

# Rodia®

## VIPER™ 75.95

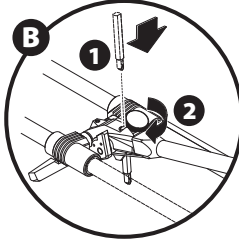
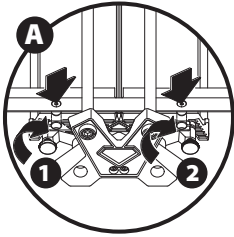
MANUAL TILE CUTTERS



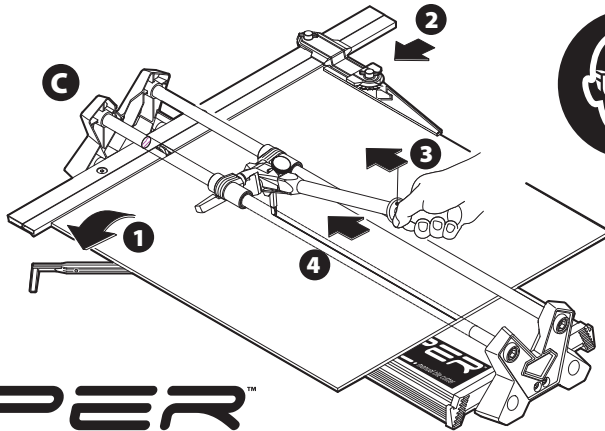
---

### OPERATING MANUAL

---

**US****RODIA® VIPER**

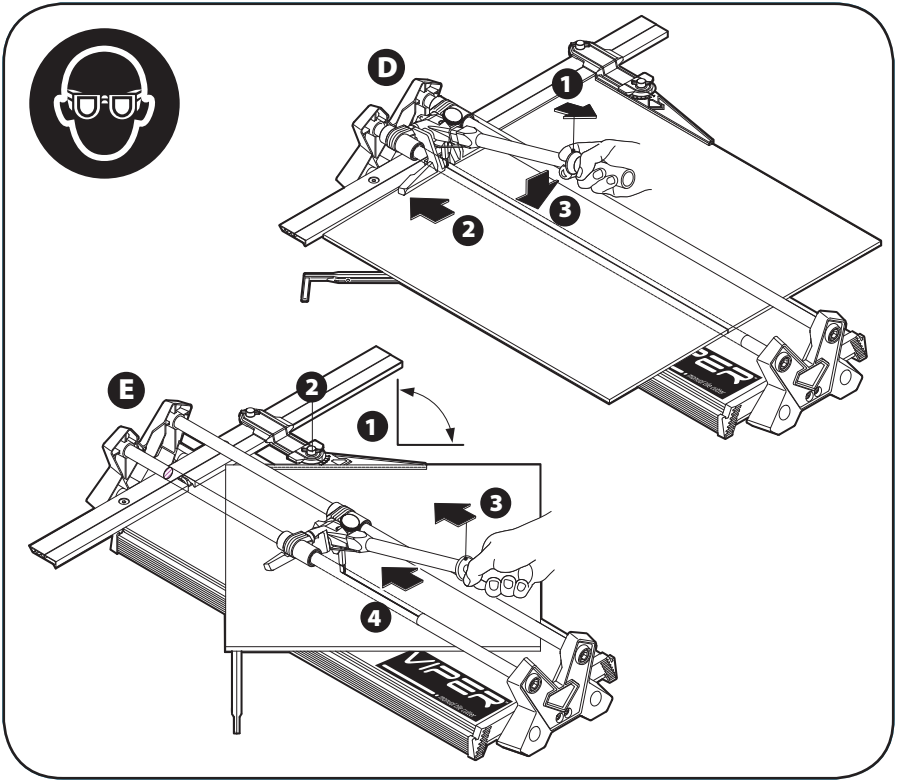
	<b>75</b>	<b>95</b>
	75 cm 30"	95 cm 37"
	53 mm 21"	67 mm 26"
	max. 20 mm max. 7/8"	




**VIPER™**

	<b>Rodia® VIPER 75</b>	<b>Rodia® VIPER 95</b>
	00.10.079	00.10.081
max.	30"	37"
max.	21"	26"
	1/4" - 7/8"	1/4" - 7/8"
lbs	3.300 lbs	3.300 lbs
LxWxH	38" x 12½" x 6¼"	46" x 12½" x 6¼"
lbs	25,3 lbs	28,6 lbs

# RODIA® VIPER

US



	PREMIUM	TITANIUM
 1/4"	00.10.106	-
 3/8"	00.10.110	00.10.310
 3/4"	00.10.118	00.10.318

**Rodia**<sup>®</sup>

[WWW.RODIATTOOLS.COM](http://WWW.RODIATTOOLS.COM)