

A



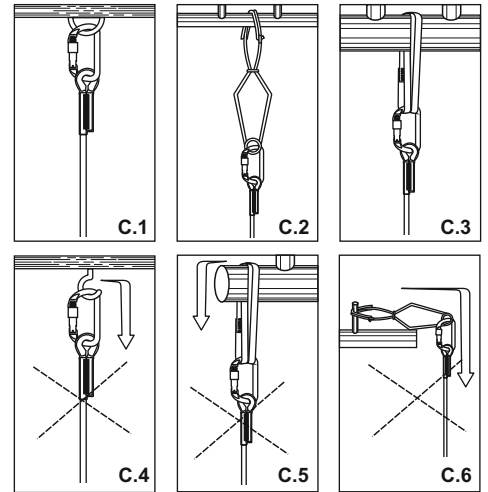
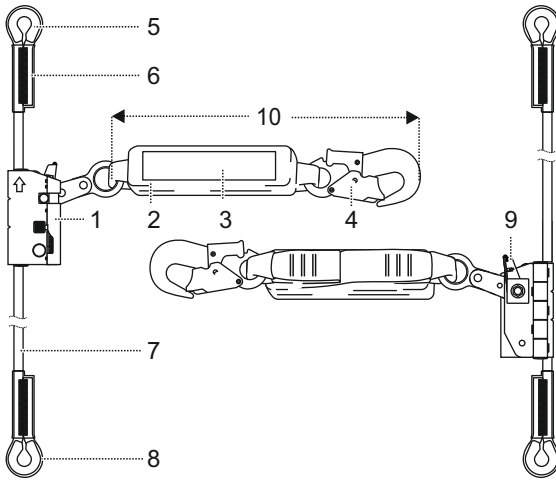
pelgrim  
SAFETY

CE 0082

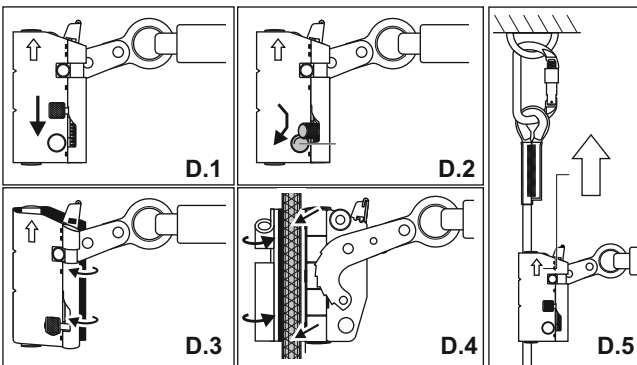
EN353-2:2002  
+ PPE-R/11.075

EN Guided type fall arrester with anchor line

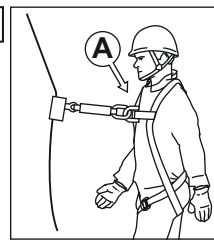
B



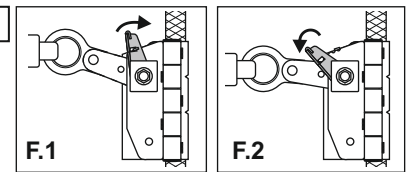
D



E



F



H

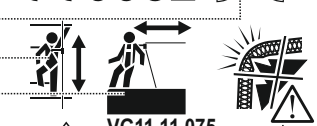
GUIDED-TYPE FALL ARRESTER

BLOCMAX

AC011

EN 353-2:2002

CE 0082



VG11 11.075

max 140 kg Ø 14 mm  
Nr kat. AC 100 ED

Date of manufacture: Serial number:  
MM.YYYY XXXXXXXXXXXX

WORKING ROPE

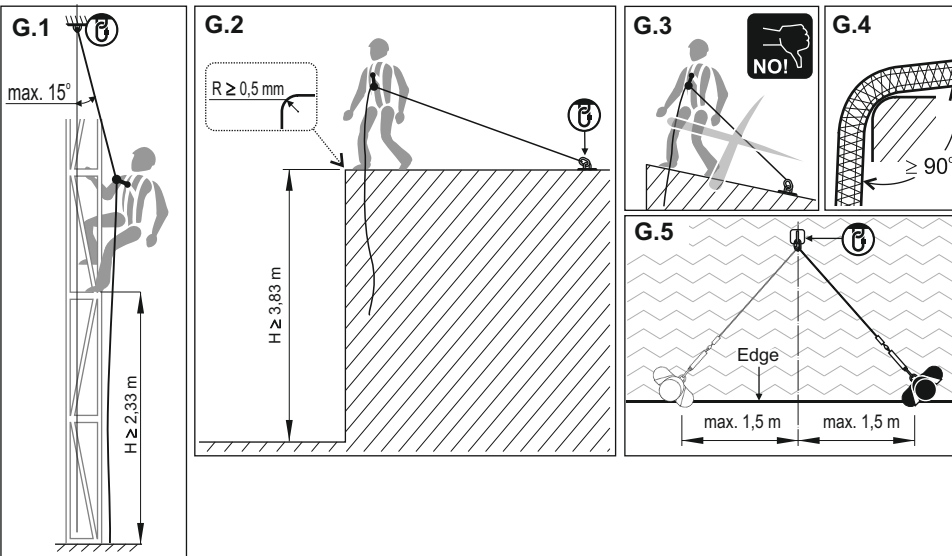
AC100ED xx

DIAMETER: Ø14 mm

Length: xx m.



G



EN – ATTENTION: Read and understand this user manual before using this equipment. Work requiring the use of this equipment is dangerous. The user is obliged to follow this manual and is responsible for the correct use of the equipment. Misuse of the equipment can lead to injury or death. If you have any problems understanding this manual, please contact the equipment manufacturer.

A. DESCRIPTION. The AC011 guided type fall arrester with an anchor line is a component of personal protective equipment against falls from a height. The equipment is compliant with EN 353:2. The AC011 device is designed for use with 14 mm diameter polyester anchor lines (working ropes) designated by the part number AC100. The AC011 device is designed to protect one worker with a maximum weight of 140 kg. The AC011 guided type fall arrester equipped with a flexible anchor line has been successfully tested in accordance with PPE-R/11.075 (which is not covered by CE marking regulations) for use horizontally when a fall over an edge may occur. During testing, a steel profile with a radius of  $r=0.5$  mm was used, with no sharp edges or burrs. This testing has proved that the equipment is suitable for use on similar edges, e.g. rolled steel profiles, wooden beams or rounded roof parapets. The device comes in different lengths, from 5 m to 100 m.

B. COMPONENTS. 1. Steel travelling grip device; 2. Energy absorber made of polyamide; 3. Feature of the device; 4. Connector of the energy absorber; 5. The upper end of a work line fitted with a thimble; 6. Working line feature; 7. 14 mm diameter polyester core working line; 8. The lower end of a work line fitted with a thimble; 9. Locking lever of the travelling grip device; 10. ?? cm – maximum permissible length of the energy absorber with the connector

C. FIXING THE WORKING LINE TO A STRUCTURAL ANCHOR POINT The anchor line (working line) must be fixed to a structural anchor point using a connector or anchoring device complying with EN 362 (C.1 and C.2) or EN 795 (C.3). The static strength of the structural anchor point must be at least 12 kN. The shape and design of the structural anchor point must protect against the spontaneous disengagement of the device (C.4, C.5, C.6). The use of certified and approved anchor points complying with EN 795 is recommended.

D. INSTALLATION OF THE TRAVELLING GRIP DEVICE ON THE WORKING LINE. D.1 Pull down

the safety pin of the travelling grip device; D.2 Press the safety button; D.3 Pull the walls of the travelling grip device apart; D.4 Fit the guide into the fold of the front wall of the travelling grip device. Assemble the walls of the guided type fall arrester.; D.5 Once the walls are assembled, the travelling grip device will lock automatically. The arrow on the front guide wall must point upwards, towards the end of the working line, towards the anchor point.

E. CONNECTING THE TRAVELLING GRIP DEVICE TO THE FULL BODY HARNESS. The connector of the travelling grip device must be connected to the capital 'A' marked ring of the full body harness. We recommend using the sternal harness ring. The full body harness must comply with EN361.

F. WORKING AT A SINGLE WORKSTATION. When working at a single workstation, the travelling grip device must be moved manually over the user and locked in one place on the working line. This will lock the device permanently in one place, so it will not increase the total weight of the user. Locking of the travelling grip device: F.1 Release the locking lever spring; F.2 Press down the locking lever

G. KEY PRINCIPLES WHEN WORKING WITH THE AC101 ED. G.1 Ensure safe fall arrester action by providing a minimum required free space 'H' of at least 2.33 m below the user. When working with an anchor line in excess of 20 m, the free space below the user must be increased by 5% of the device length. If the anchor line is fixed to an anchor point located directly above the position of the user, the maximum permissible bending angle of this anchor line with respect to the vertical is 15° relative to the line of the structural anchor point during the user's sideways movement. G.2 The device has been tested in accordance with the requirements of PPE-R/11.075. The scope of application covers works involving the user moving horizontally on sites that present a risk of falling over the edge (e.g. on flat roofs). The minimum edge radius must be 0.5 mm. If the edge is sharp or poses a high risk of damage to the line, e.g. there are burrs on its surface, install suitable edge protection.

G.3 Ensure the anchor point for the anchor line (working line) is not located below user's feet's level. G.4 Ensure the bending angle of the anchor line on the edge when the line is to stop a fall is at least

