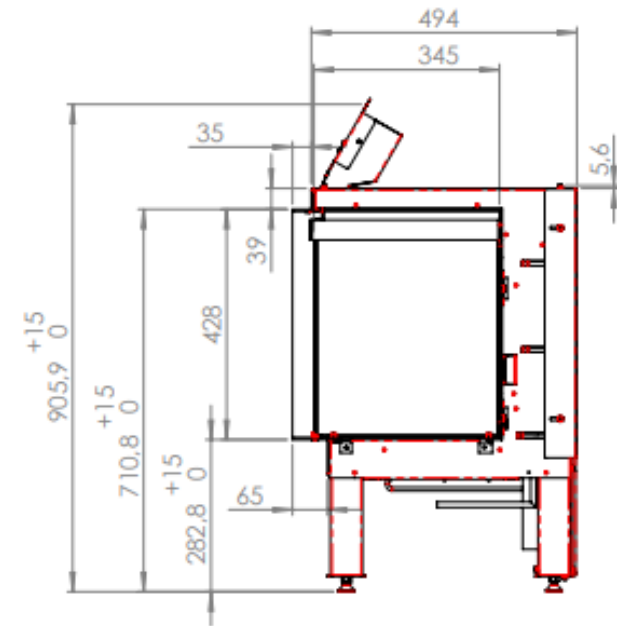
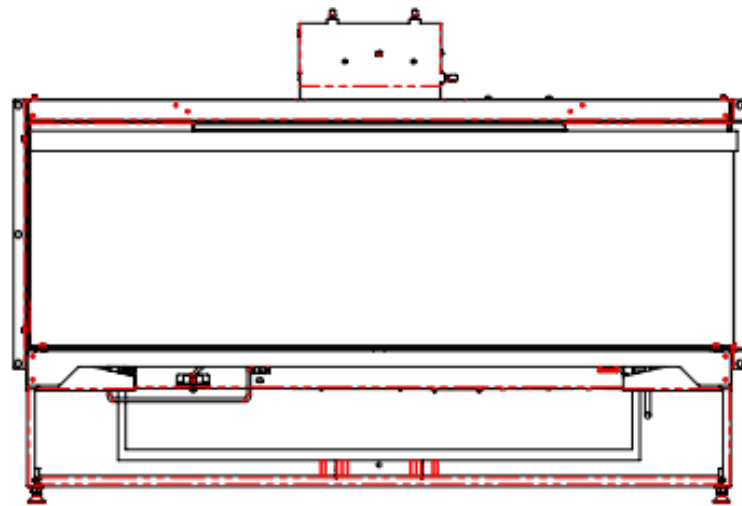
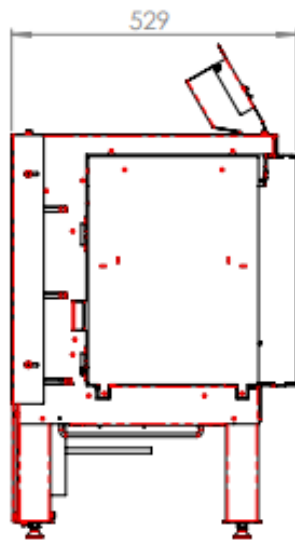
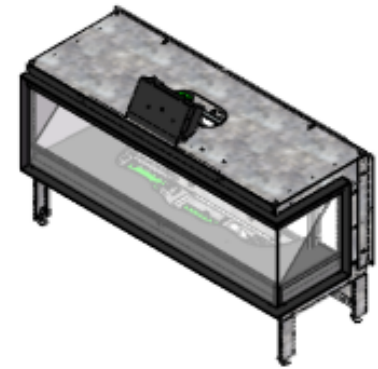
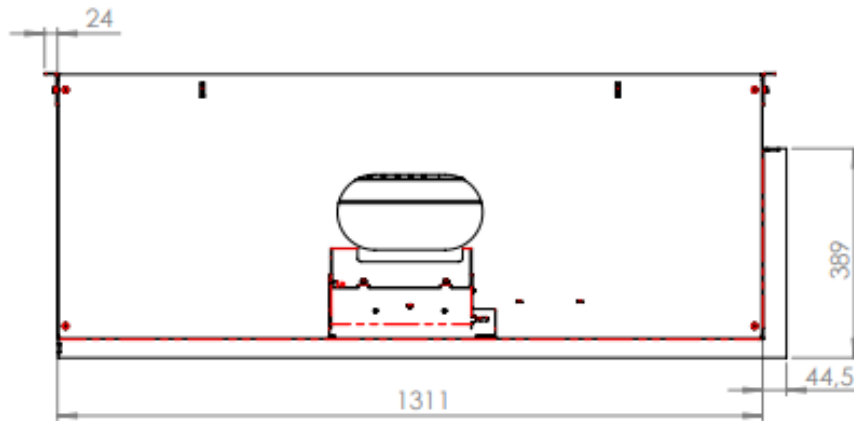

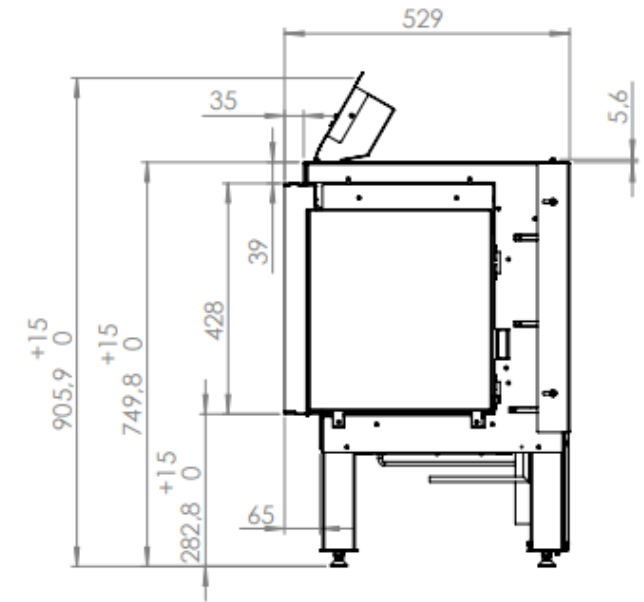
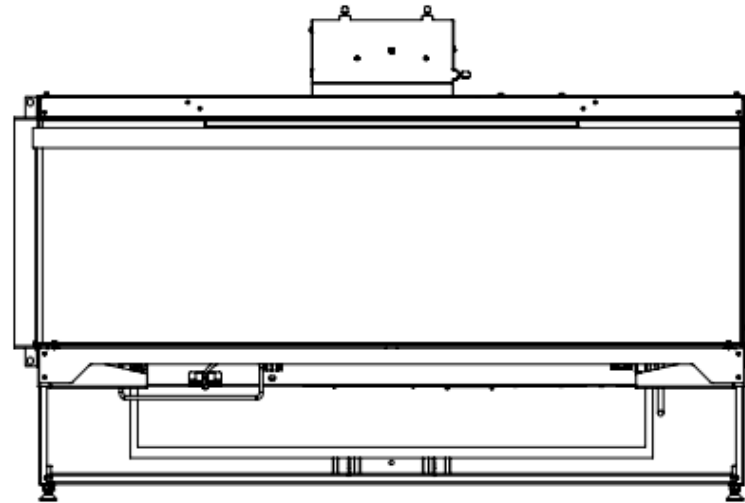
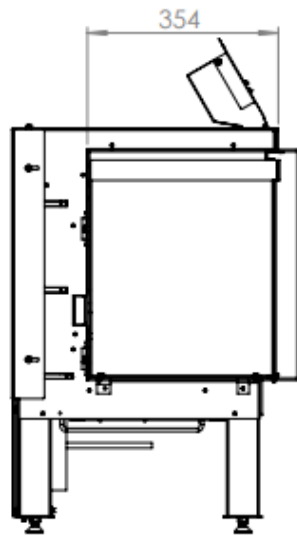
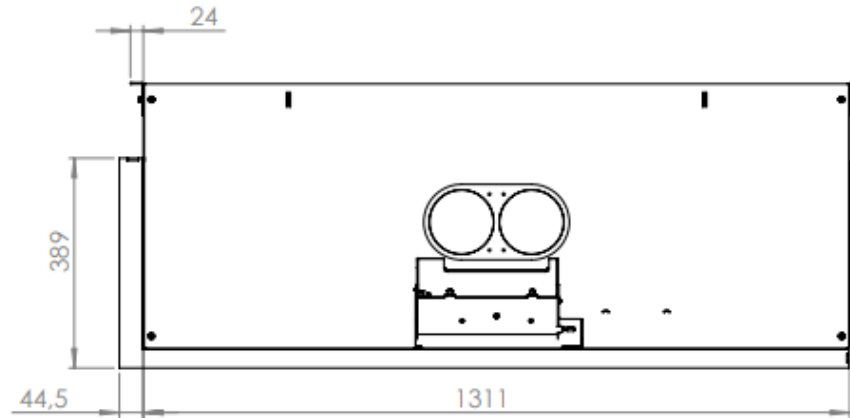



Config: corner right



ISO 2768-mK	Treatment:					
Third Angle Projection ISO 128-Method A	Material:					
	Mass (Kg):	Date:	Author:	Scale:	Page:	Dimensions:
	131.56	5-4-2022	RS	1:10	3/4	mm
Description:		E-ONE 130 3S ASSY				
Document Number:		Revision:		Size:		
KF02931		00		A3		
All rights reserved. Copyrighted / Reprints prohibited. Kal-fire BV					State : In Progress	

Config: corner left



ISO 2768-mK	Treatment:						
Third Angle Projection ISO 128-Method A	Material:						
	Mass (Kg):	Date:	Author:	Scale:	Page:	Dimensions:	
	137.64	5-4-2022	RS	1:10	1/4	mm	
KALFIRE FIREPLACES	Description:					Revision:	Frame_size:
	E-ONE 130 3S ASSY					01	A3
Document Number:					State :		
KF02931					In Progress		
All rights reserved. Copywrited / Reprints prohibited. Kal-fire BV							