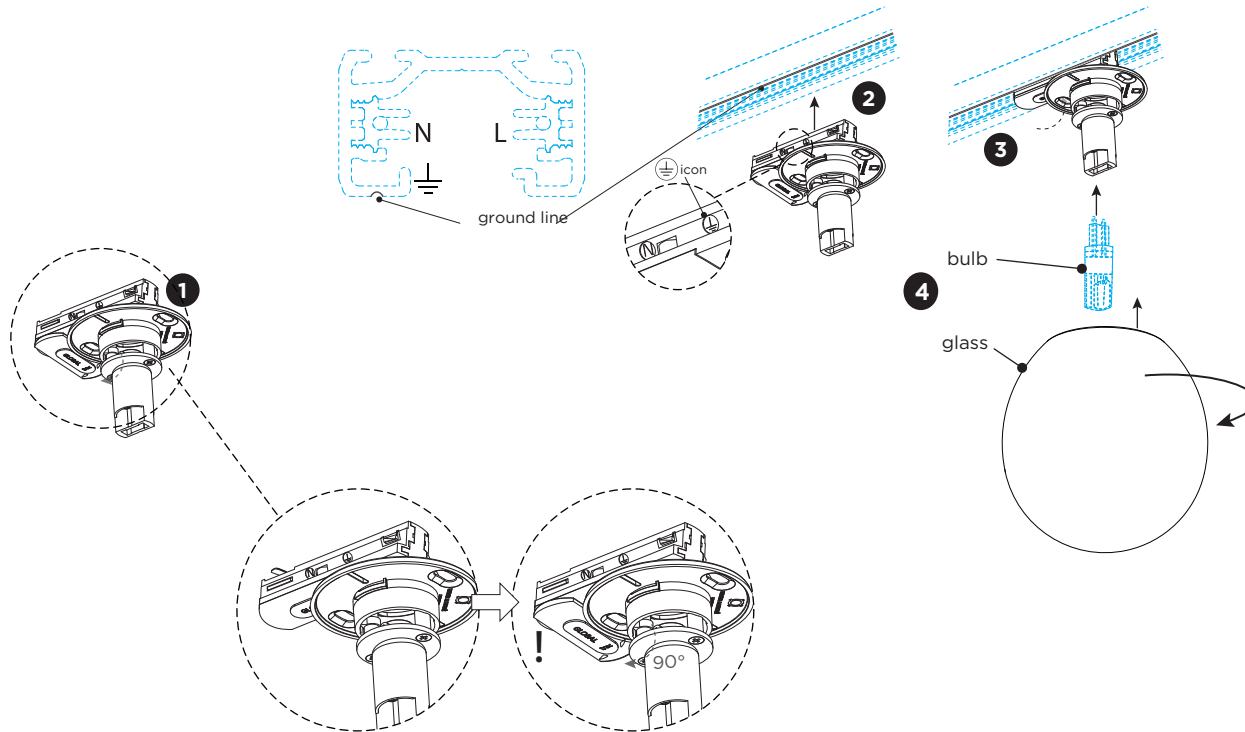
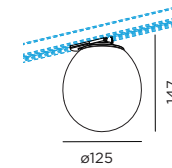


# DRO on track (1-phase)

INSTALLATION INSTRUCTIONS | AUGUST 2021



## DIMENSIONS



## MOUNTING INSTRUCTION

- 1 Turn the adapter's handle 90° as illustrated.
- 2 Push the adapter into the track. Make sure the ⊕ icon on the inside of the adapter is faced towards the track side with the **ground line** craved in it.
- 3 Turn the handle back into the original position to lock the adapter in the track.
- 4 Mount a bulb and the glass.



WARNING

Note: the fixture is not allowed to slide in the track. If you want to change location of the fixture in the track, please unlock the fixture from the track and install it on the correct position.

