

TONONE

technical specifications

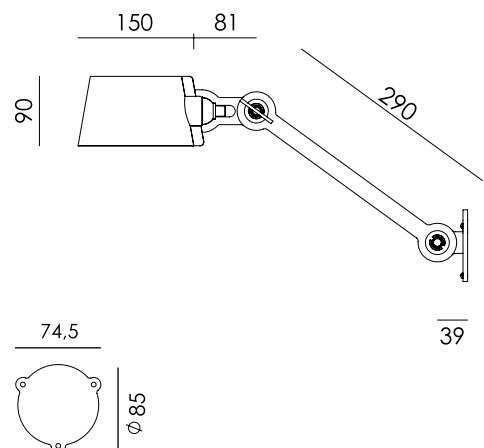
BOLT wall sidefit

Design by Anton de Groof, 2013



Starting point for the products of Tonone is the passion for traditional mechanics. The first product line that resulted from this fascination is the lamp series 'Bolt'. Key element in this industrial series is the joint construction that can be adjusted with a wingnut-shaped tool. Besides being a functional tool, this wingnut is integrated in the design of the lamp itself as a distinctive visual element. The Bolt collection is available in 29 different models and in 11 colors.

Type	Wall lamp
Environment	Indoor
Material	Steel & aluminum
Wingnut	Wingnut Solid Brass included
Cord length	Bolt with cord 2600 mm Bolt install 10 mm
Weight	1,0 kg
Voltage	220-240 V
Max Watt	60 Watt
Socket	E27
IP	20
Lightsource	Lightsource not included
Packaging	
Weight	1,8 kg
Length	67 cm
Width	20 cm
Height	20 cm



TONONE

technical specifications



		<i>with cord</i>	<i>install</i>
	smokey black	1081	1089
	flux green	1083	1091
	pure white	1085	1093
	midnight grey	1262	1265
	ash grey	1088	1096
	striking orange	1086	1094
	lightning white	1084	1092
	thunder blue	1087	1095
	daybreak rose	1470	1473
	sunny yellow	1428	1431
	ice blue	1613	1614