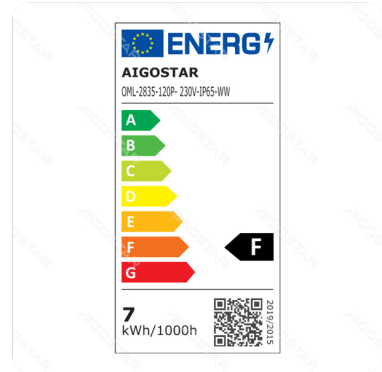


# Integrated Circuit LED Strip Light Yellow 50m 8mm

Barcode: 8433325212995



## Feature

Technology	LED
------------	-----

## Specification

Dimension	H6.5*W10.5 mm
Length	50m
Roll size	D310*H108mm

## Technical parameters

Voltage	220-240V ~
Luminous flux	500lm/m
EEL	A+
CRI	Ra≥70
Beam angle	120°
PF	> 0.93
Power	7W/m
Frequency	50/60Hz
Color temperature	3000K
DF	≥0.9

## Application environment

Environment	Indoor and outdoor
-------------	--------------------

Working Temperature	-20°C ~ 40°C
IP level	IP65

## Life span

Life span	20000h
-----------	--------

## Material

Main Materials	PVC&PCB
----------------	---------

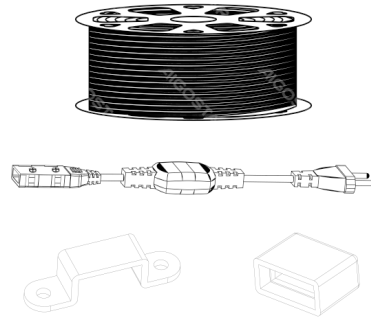
## Package

Package	roll/color box(50m)
Outer Package	pcs/ctn
Unit package qty	1
Outer package qty	2

## Internal parameter

Power consumption per 1,000 hours	7kwh/1000h
-----------------------------------	------------

## Dimensional diagram



## Certification Download

Instruction  
manual

Download

EEI

Download