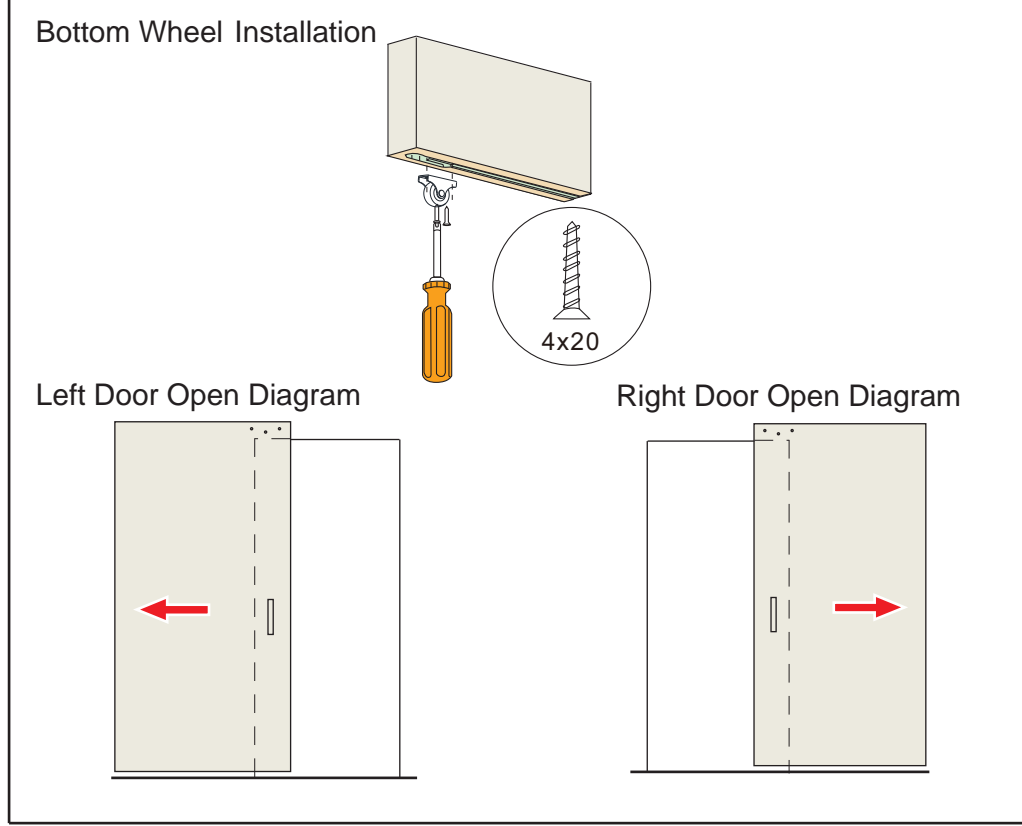
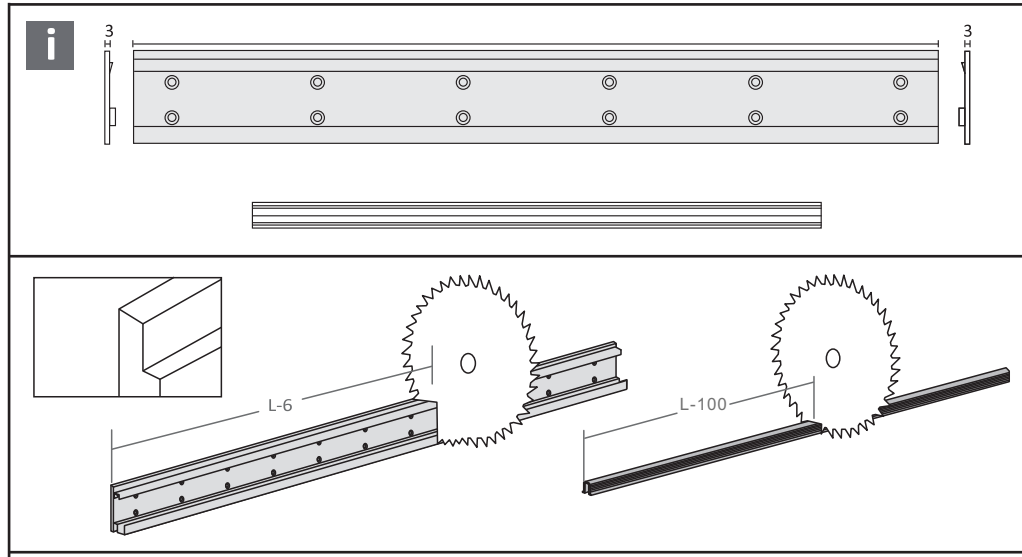
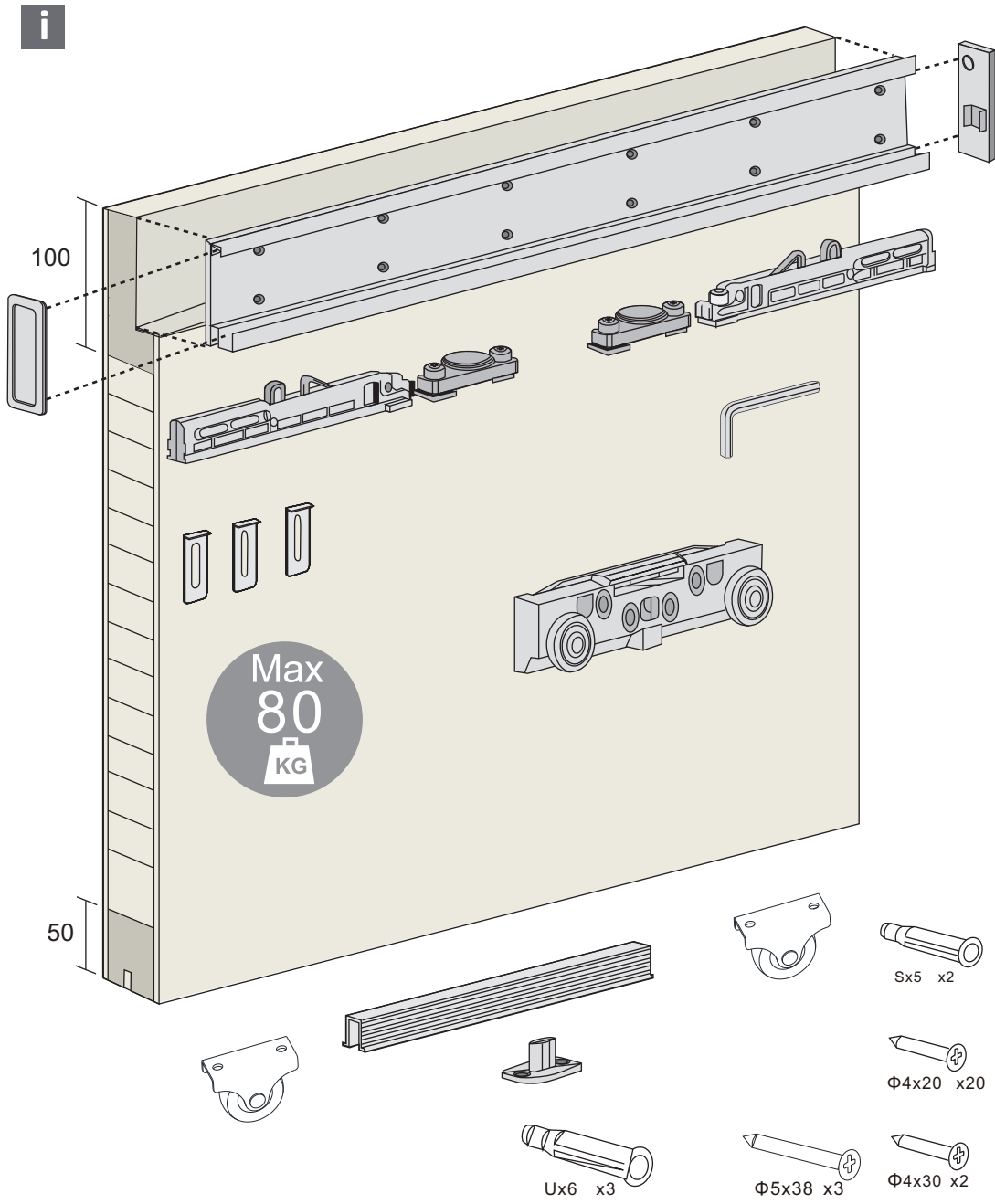


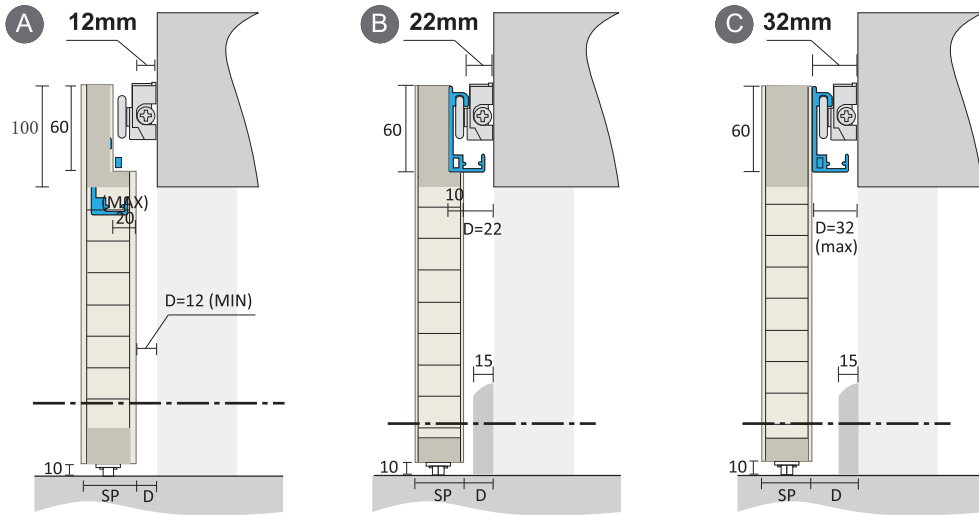
Invisible Sliding Wood Door Roller Installation Instructions



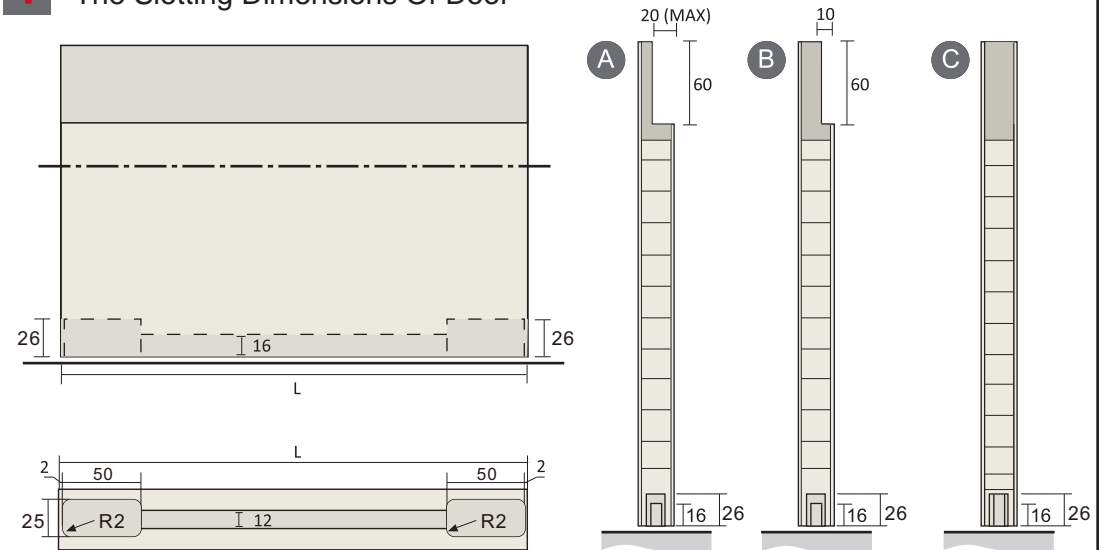
Invisible Sliding Wood Door Roller Installation Instructions

1 The Gap Of Side Door

Door Thickness = min. 28mm ~ max. 45mm



i The Slotting Dimensions Of Door

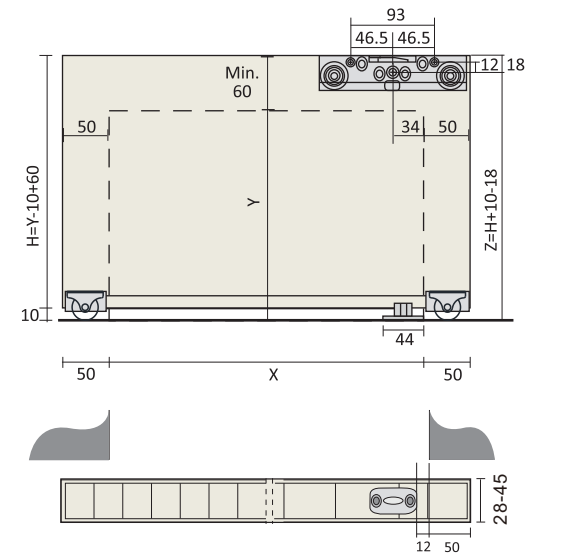
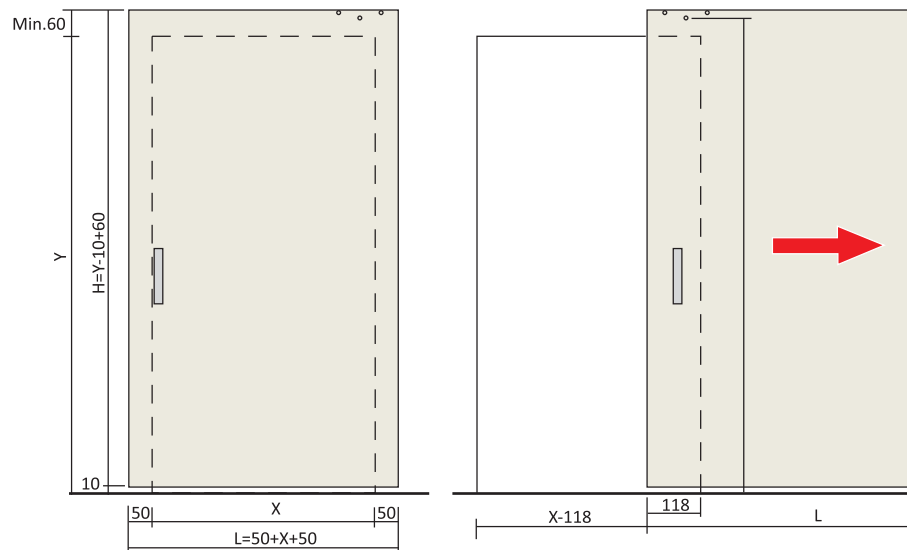
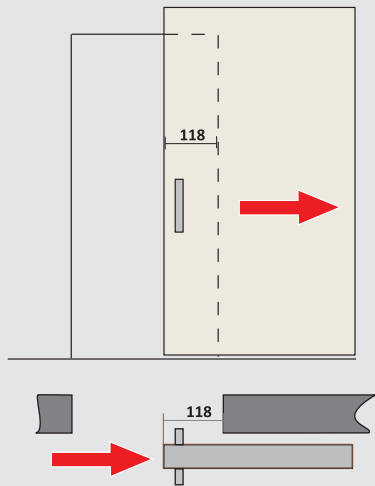


2

Installation Mode 1 :

(118mm)

L = min. 800mm ~ max. 1200mm

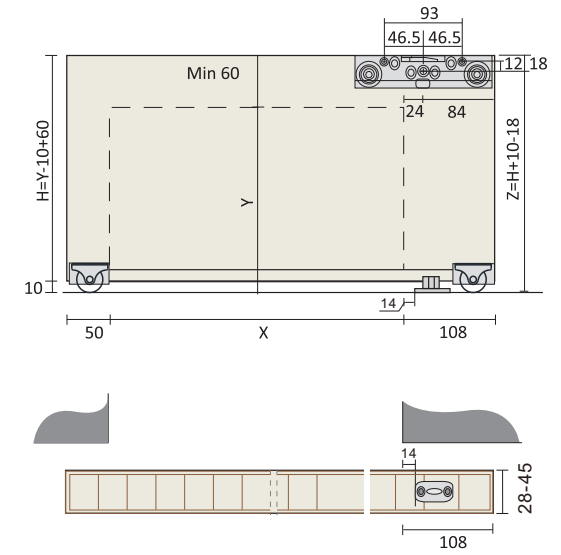
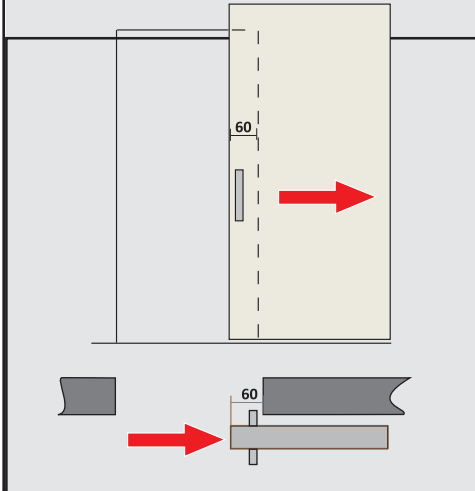


Invisible Sliding Wood Door Roller Installation Instructions

Installation Mode 2 :

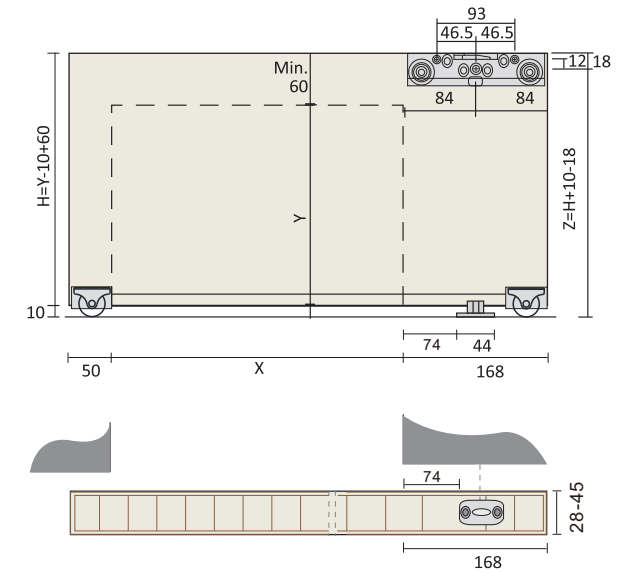
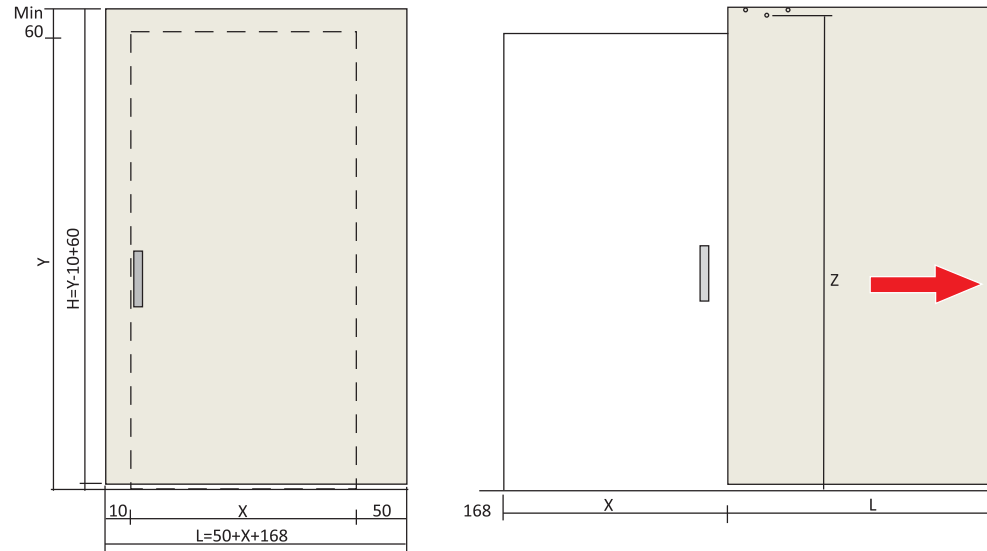
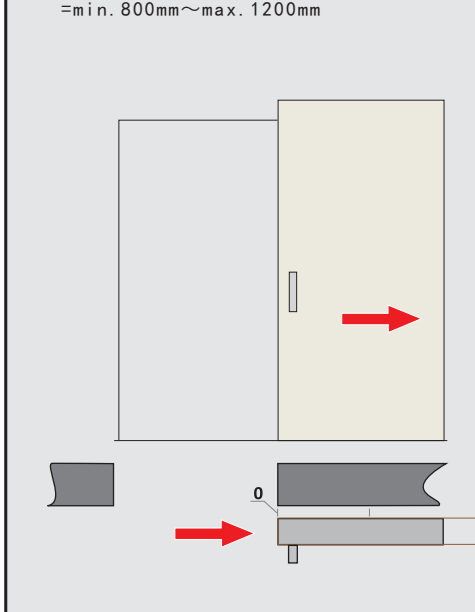
(60 mm)

L = min. 800mm ~ max. 1200mm



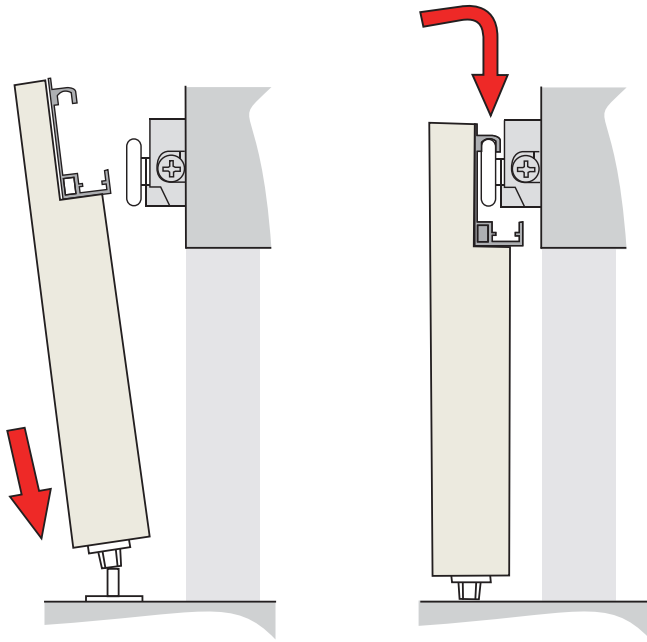
Installation Mode 3 : L(0)

L = min. 800mm ~ max. 1200mm

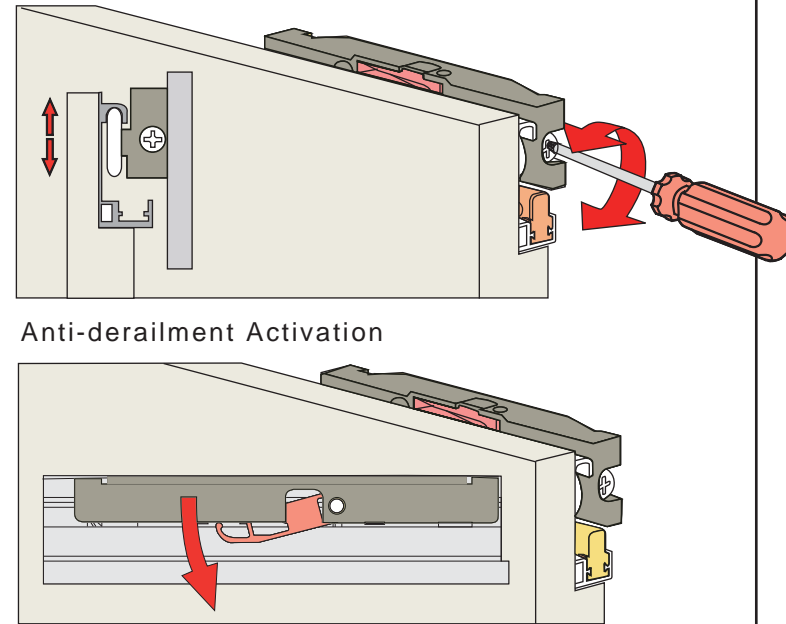


Invisible Sliding Wood Door Roller Installation Instructions

3 Door Panel Installation

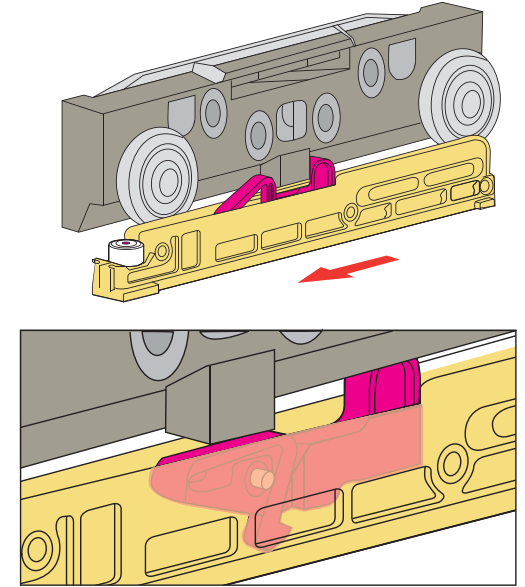


4 Height Adjustment



Anti-derailment Activation

5 The Damper and Hook Installation

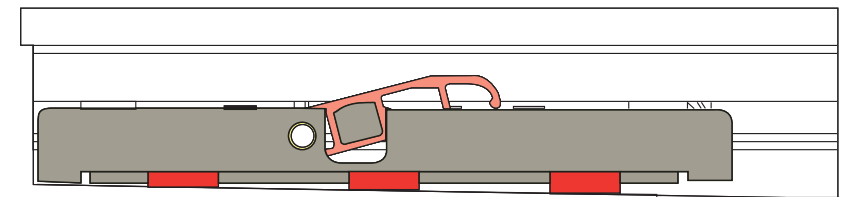
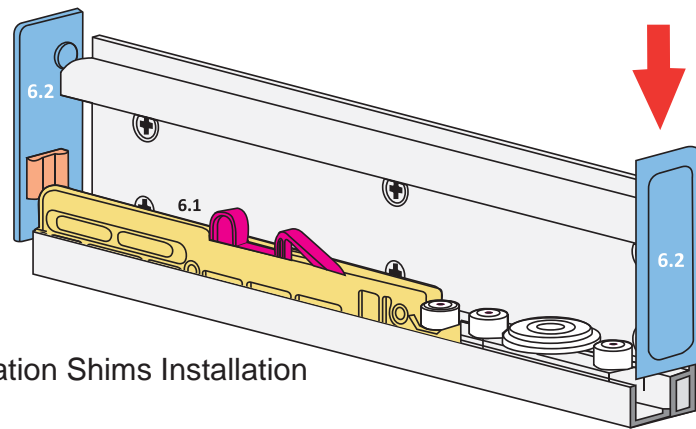


6

6.1 Damper Installation

6.2 End Caps Installation

6.3 Wall Inclination Compensation Shims Installation



6.3

