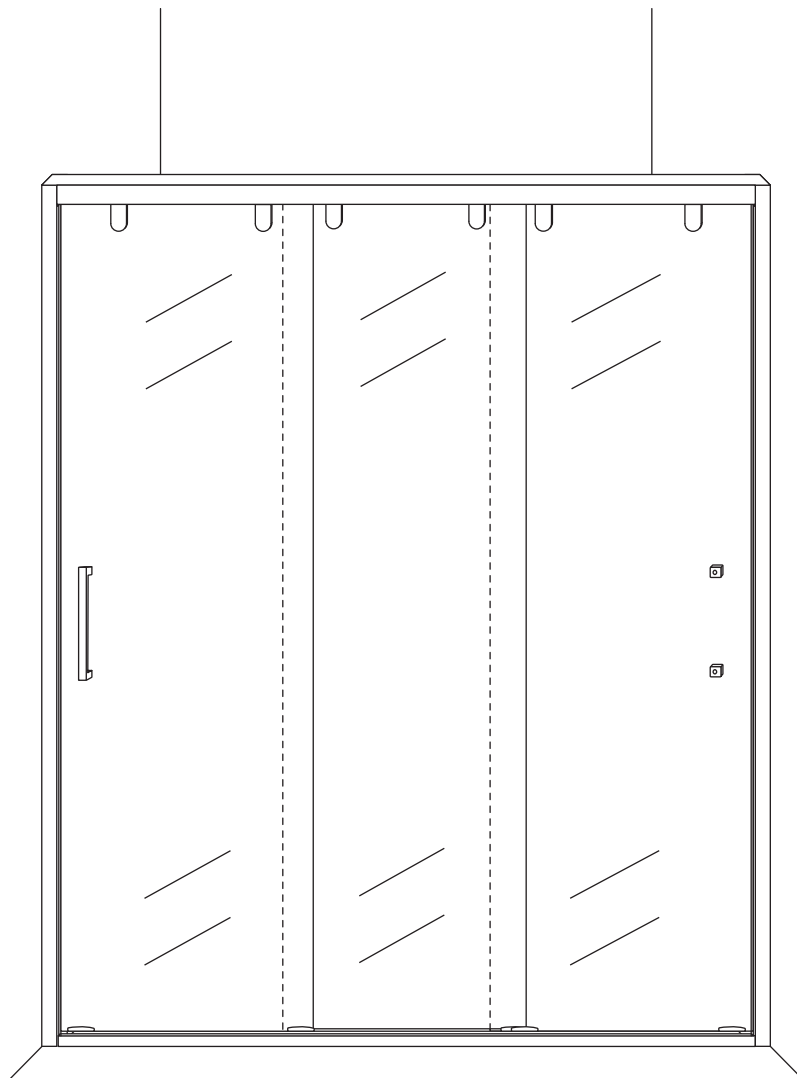
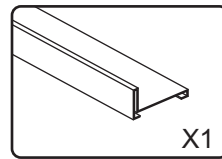
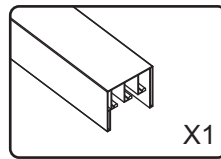
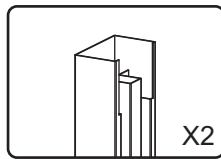
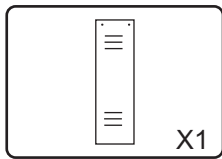
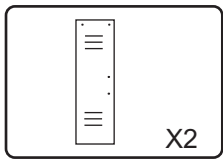
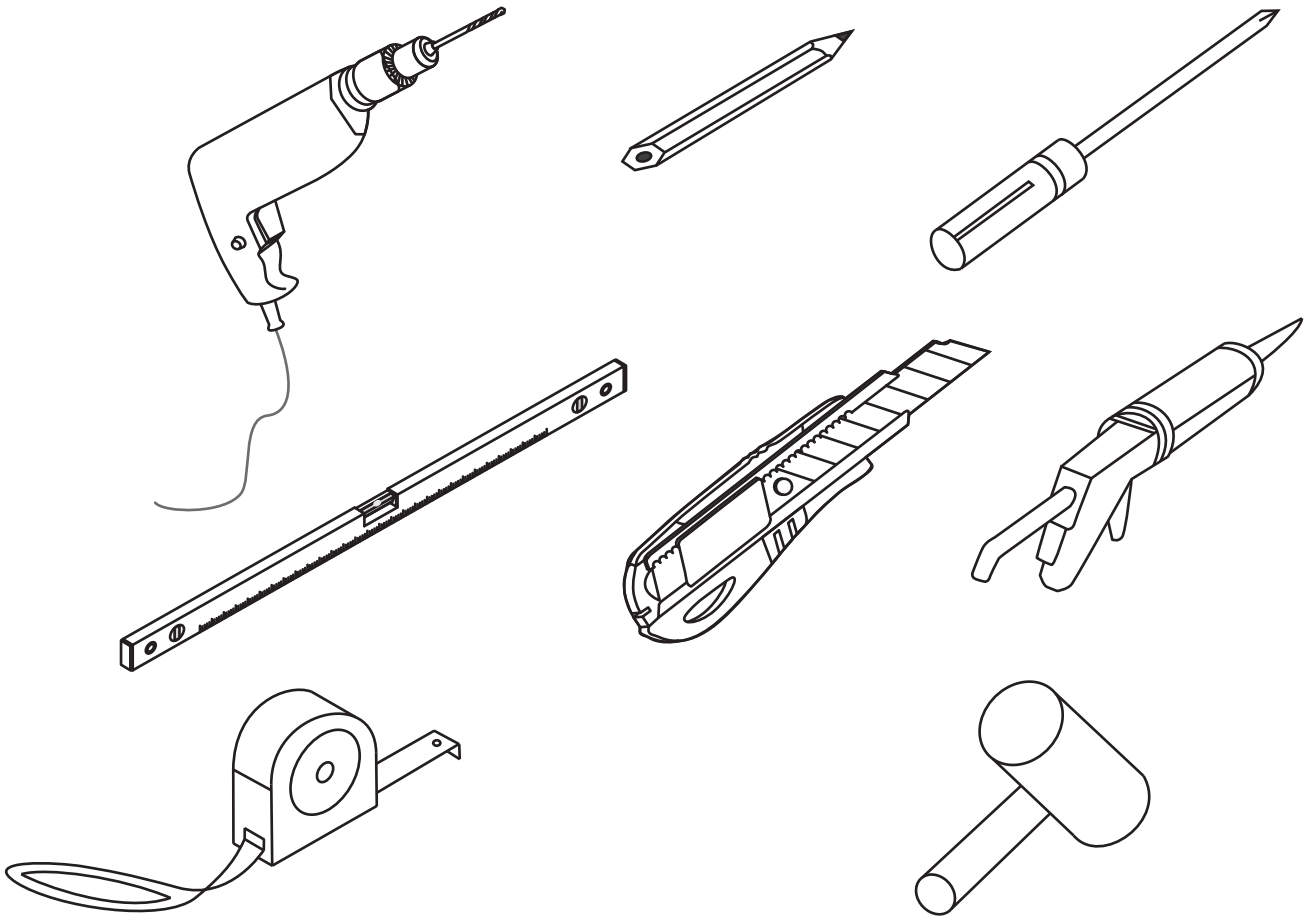


INSTALLATION MANUAL



CR-SD080/CR-SD090
CR-SD100/CR-SD120/SD140

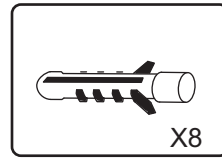
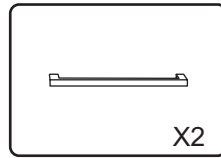
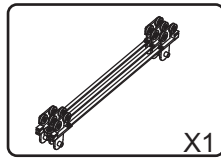
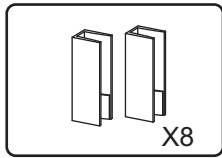
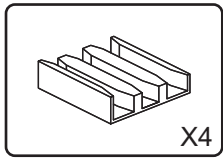
RoHS **CE** ISO9001:2015



KQ-53/KQ-54

HG-31

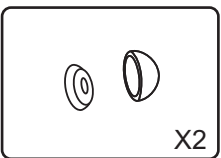
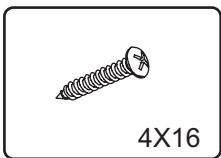
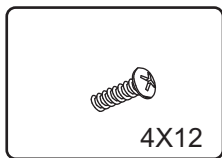
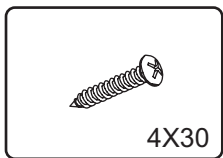
LT-42

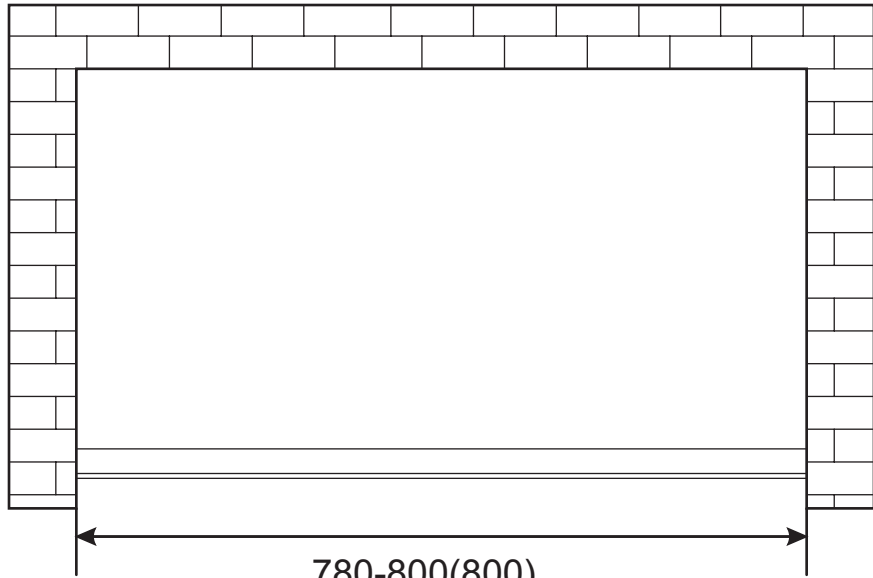


PJ-4457

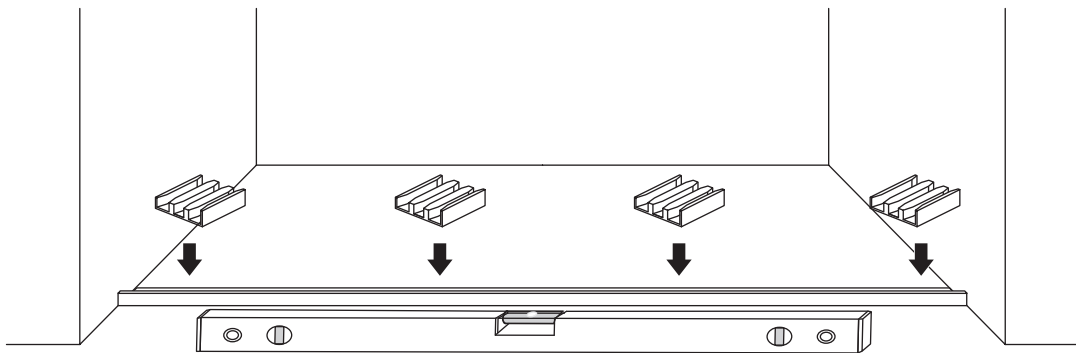
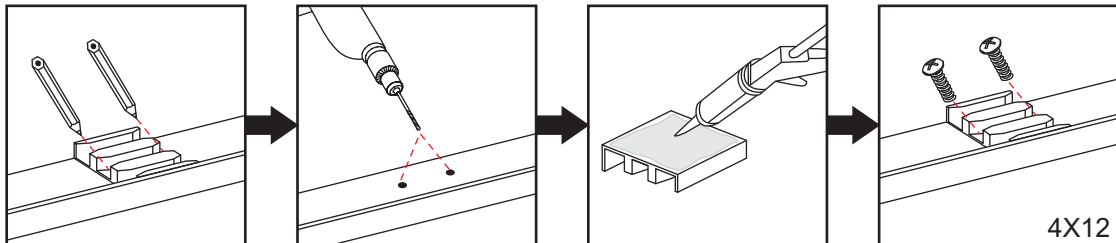
LS-1117

PJ-4606

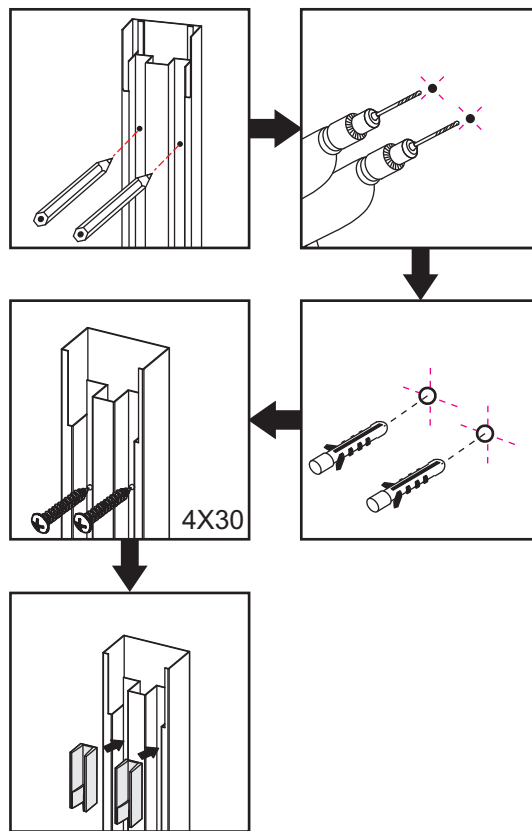
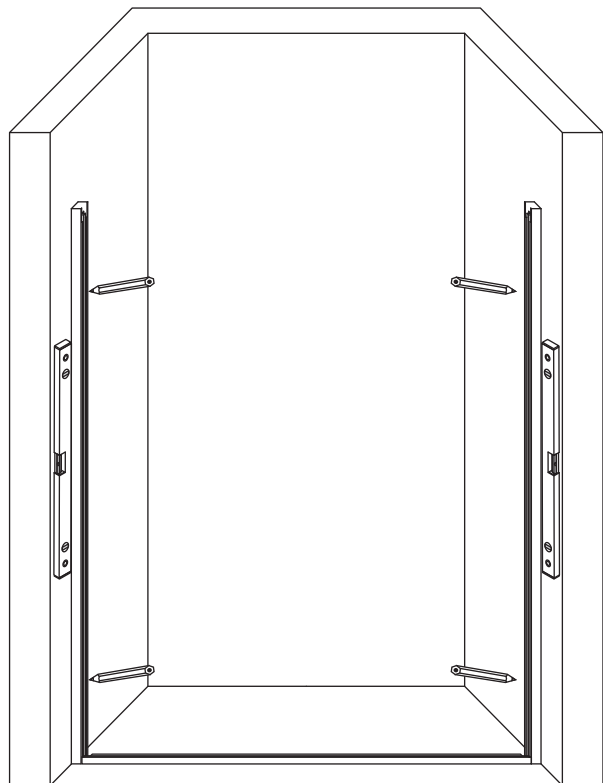




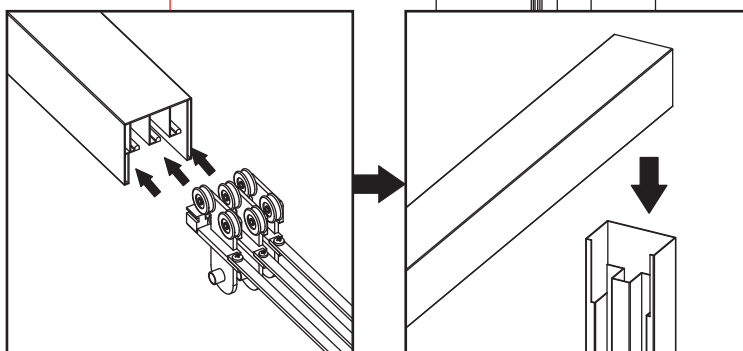
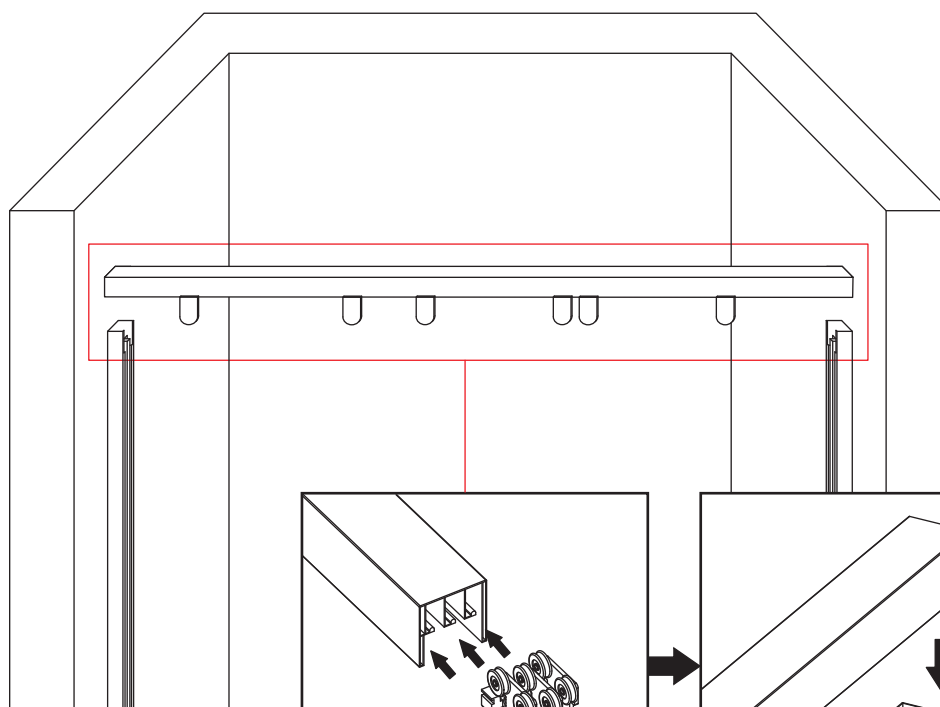
780-800(800)
880-900(900)
980-1000(1000)
1180-1200(1200)
1380-1400(1400)



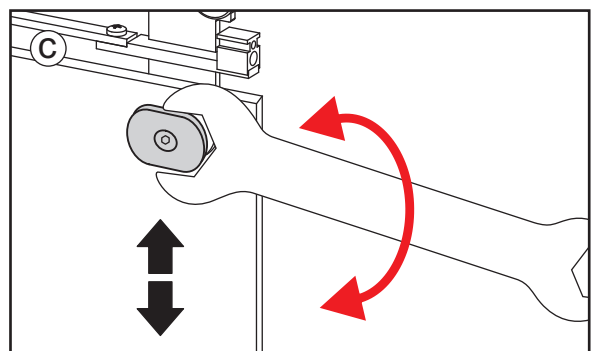
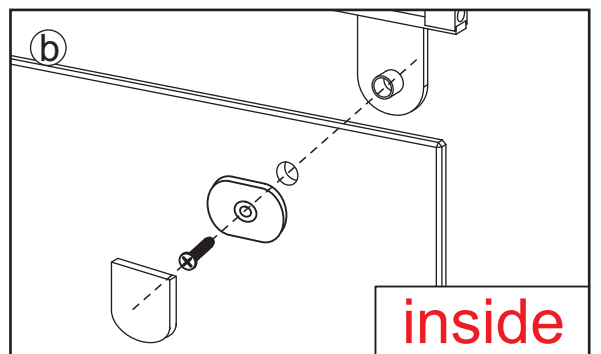
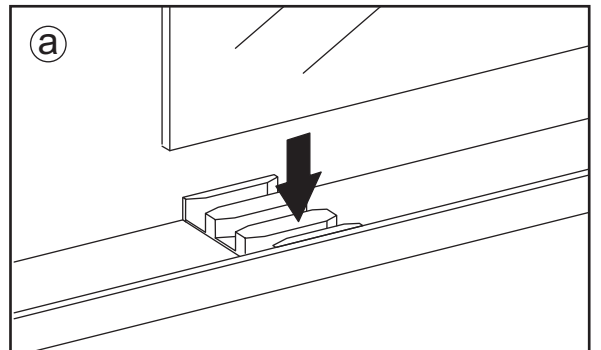
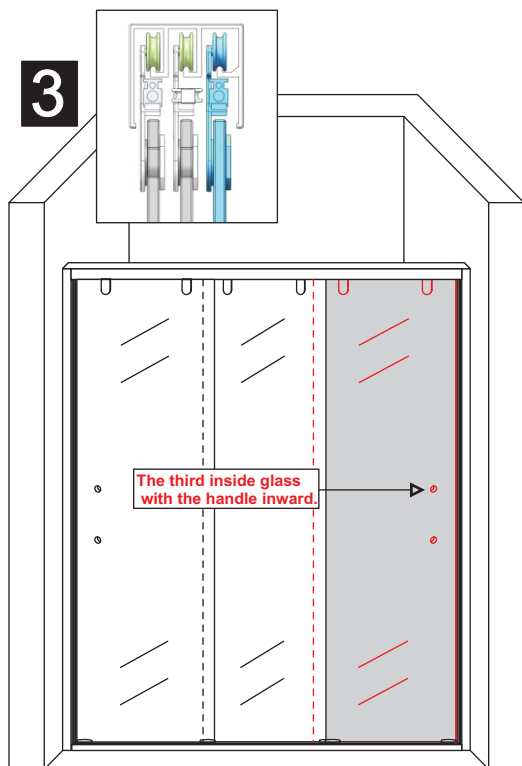
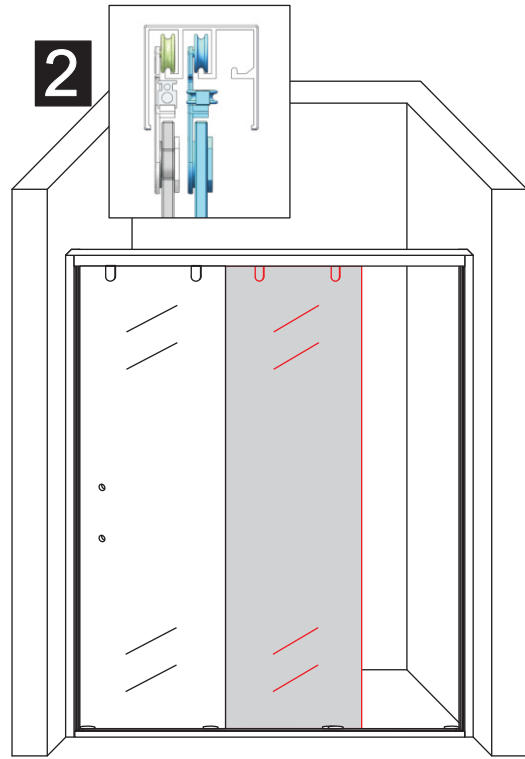
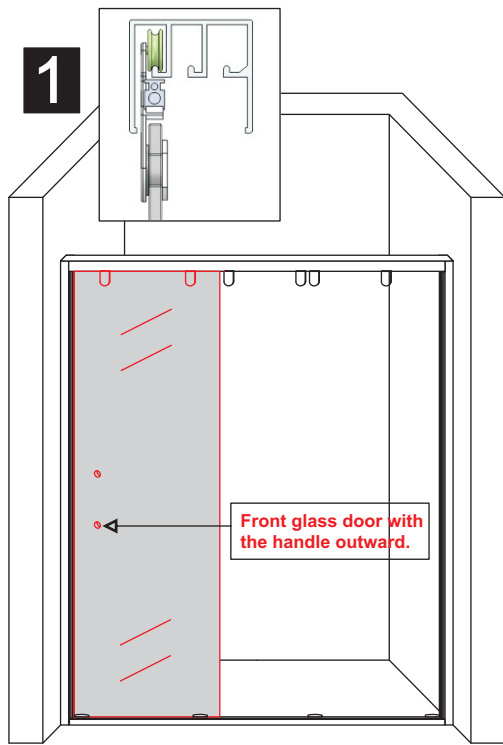
Install the wall aluminum profile.

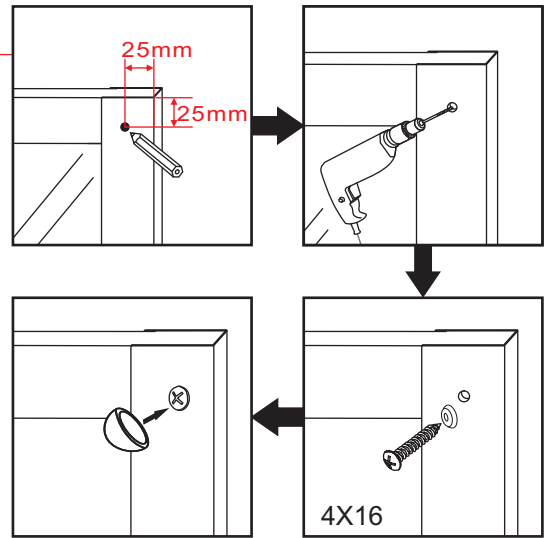
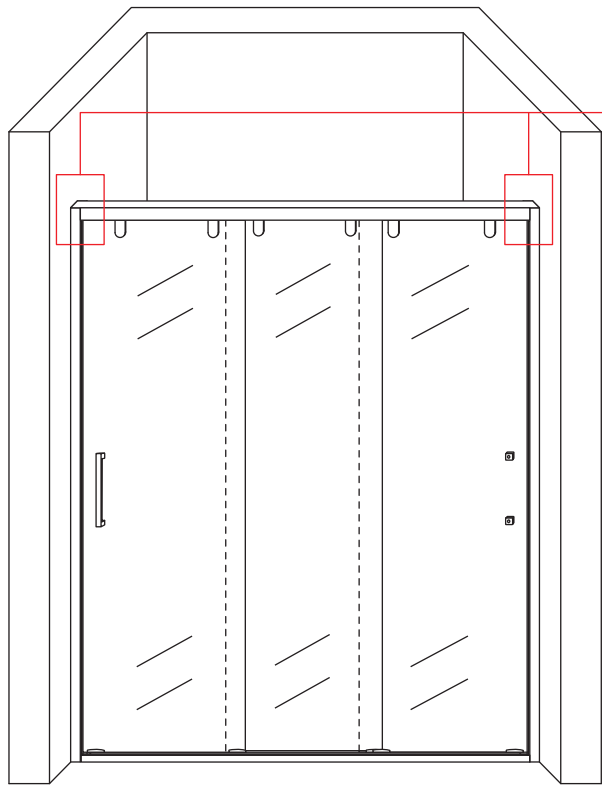


2



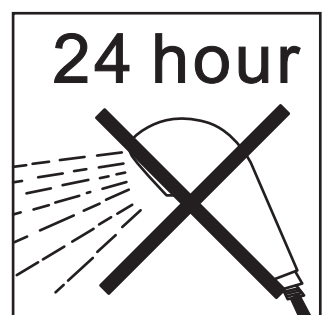
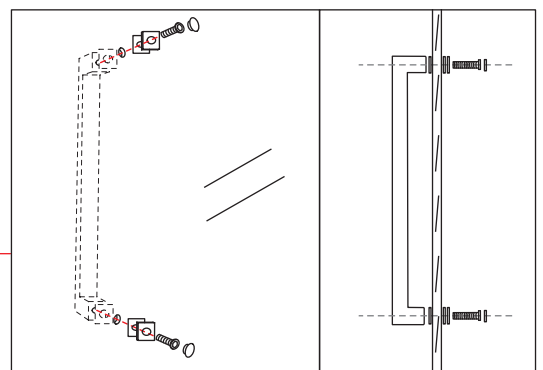
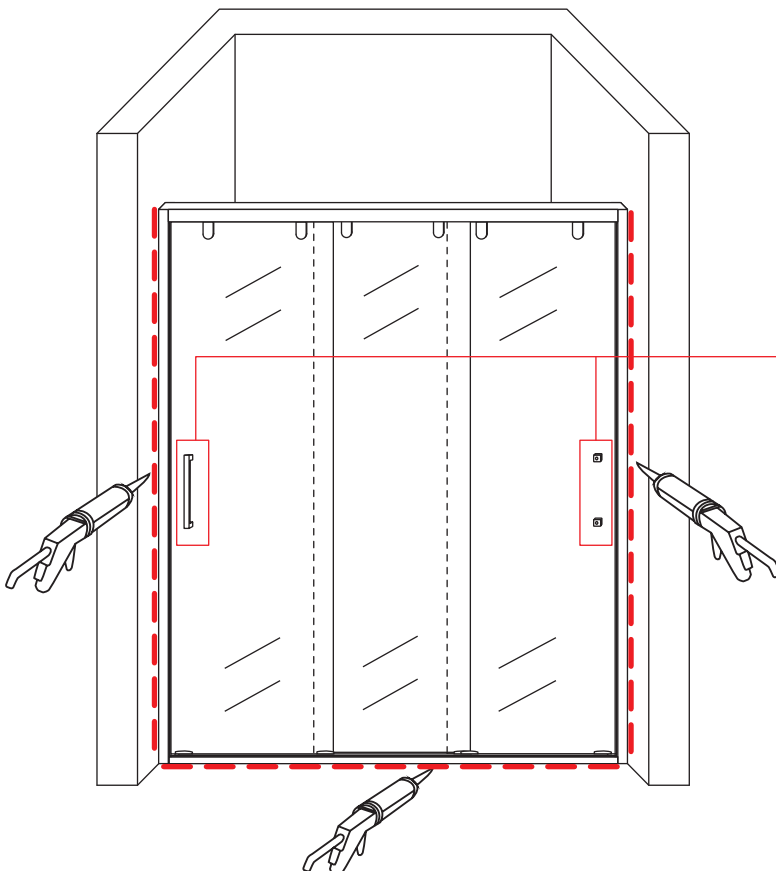
3





5

1. Install the handle.
2. Take glue: please keep dry until 24 hour.



6