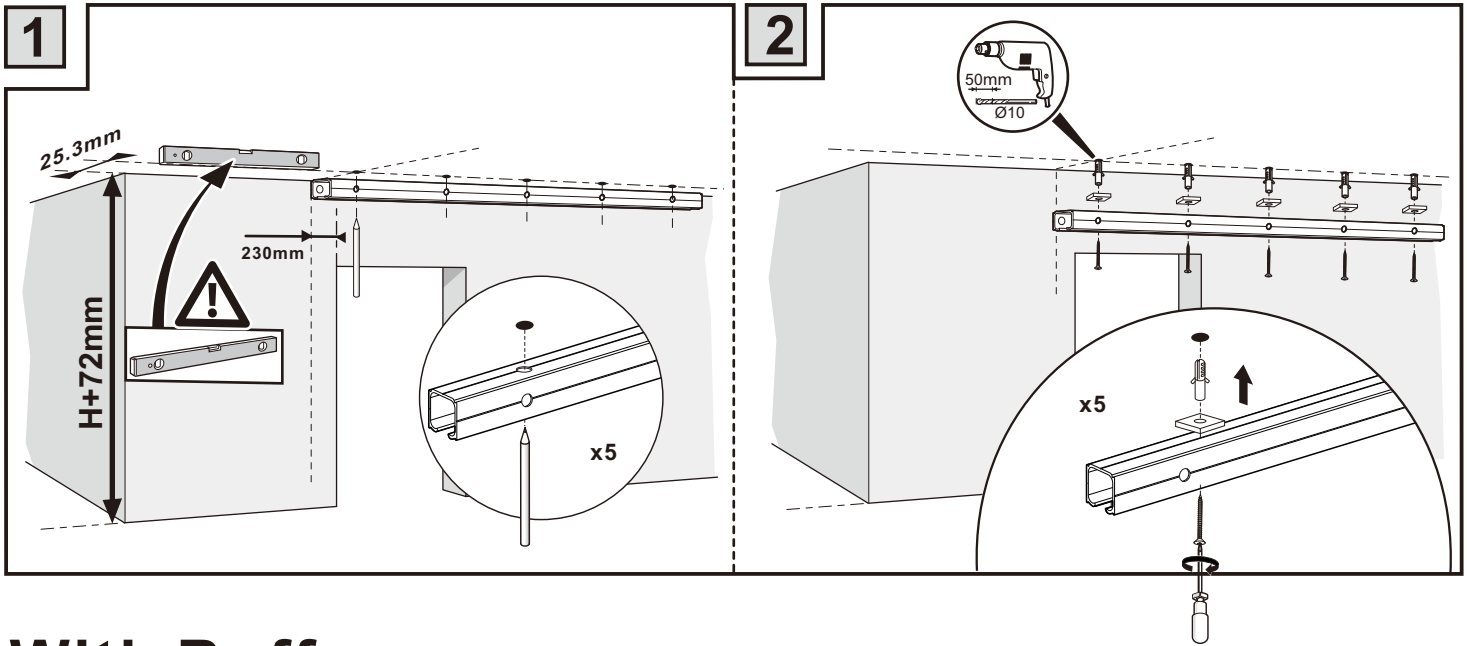
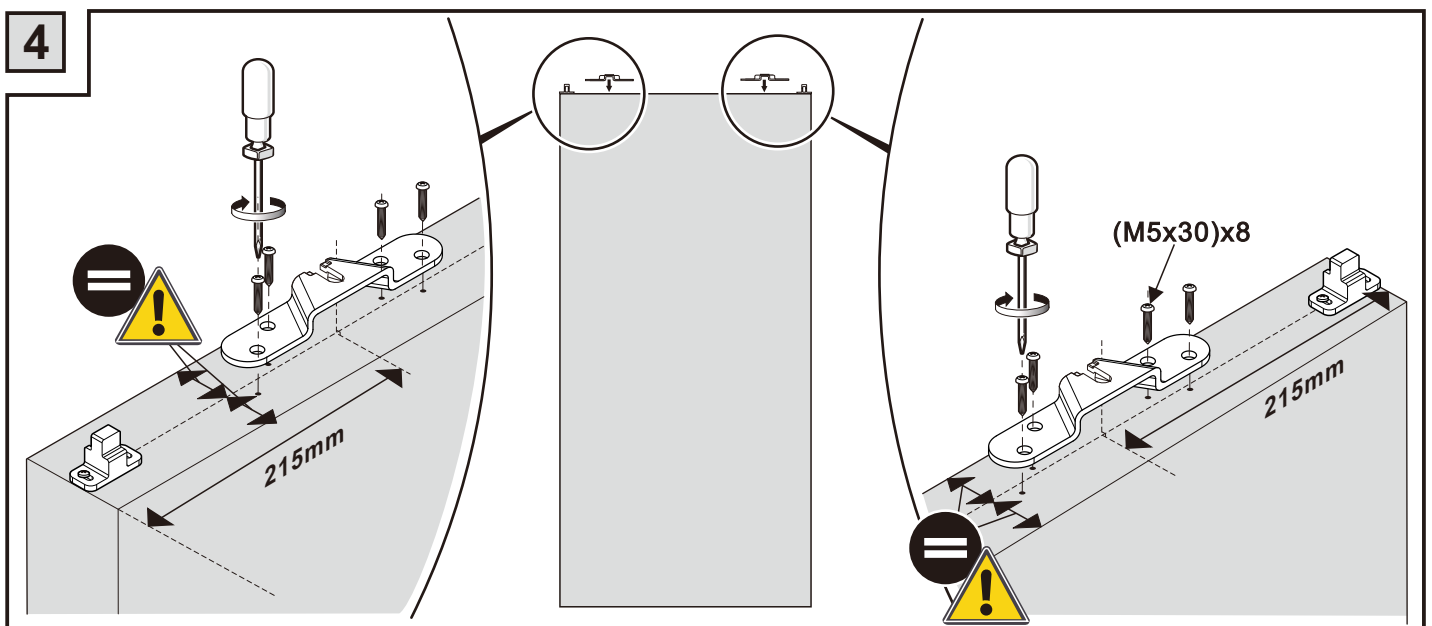
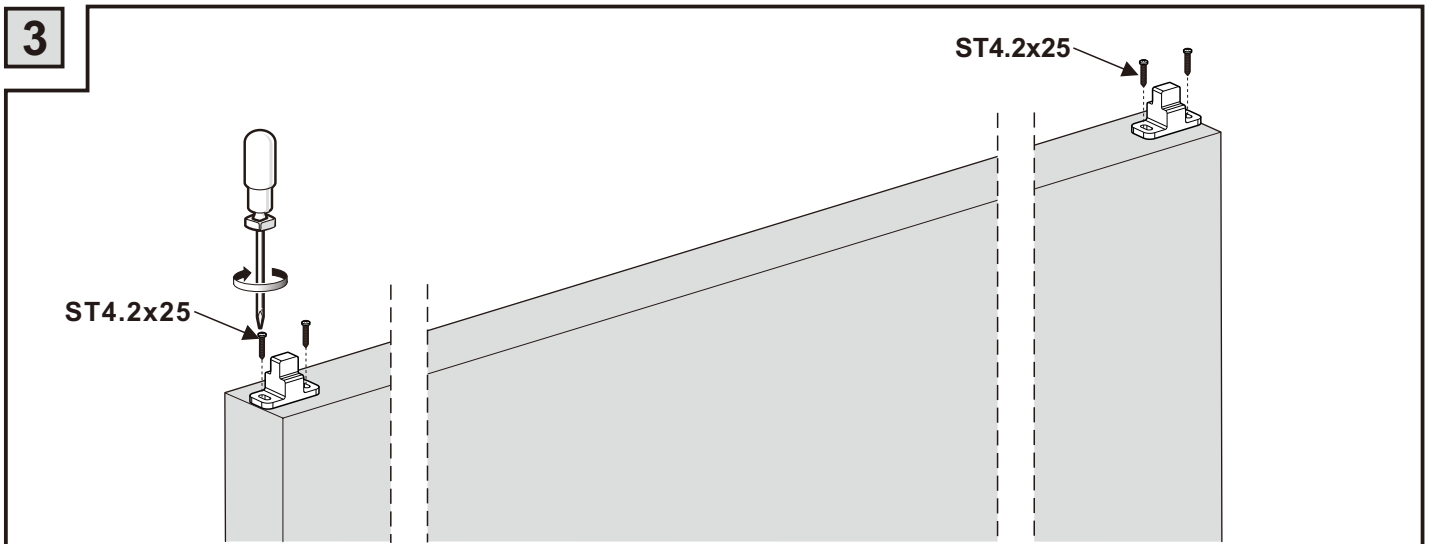


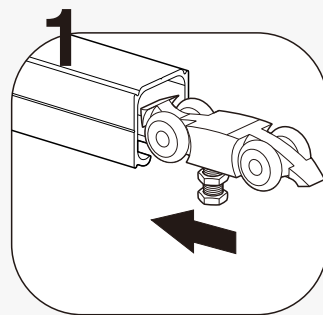
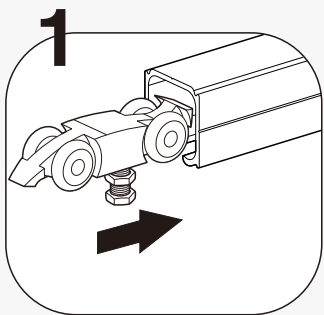
Top Mounted



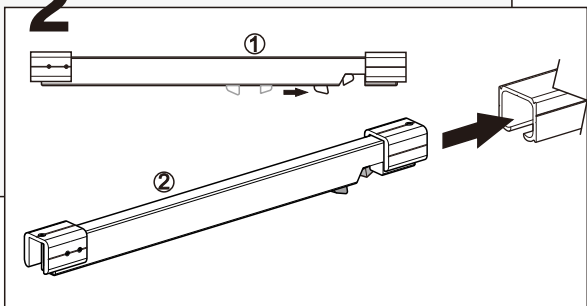
With Buffer



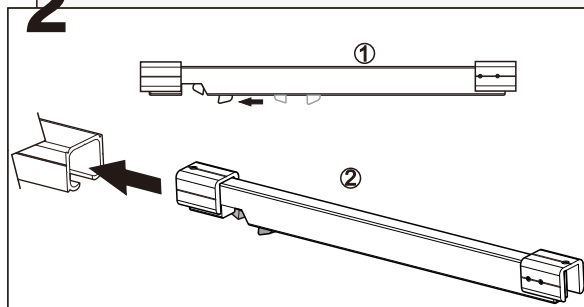
5



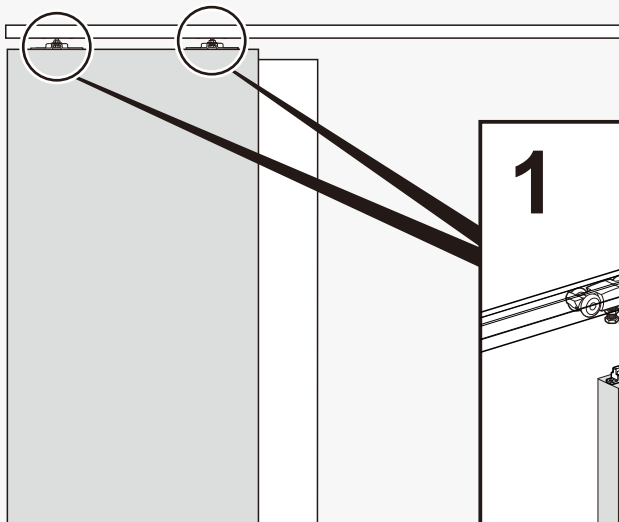
2



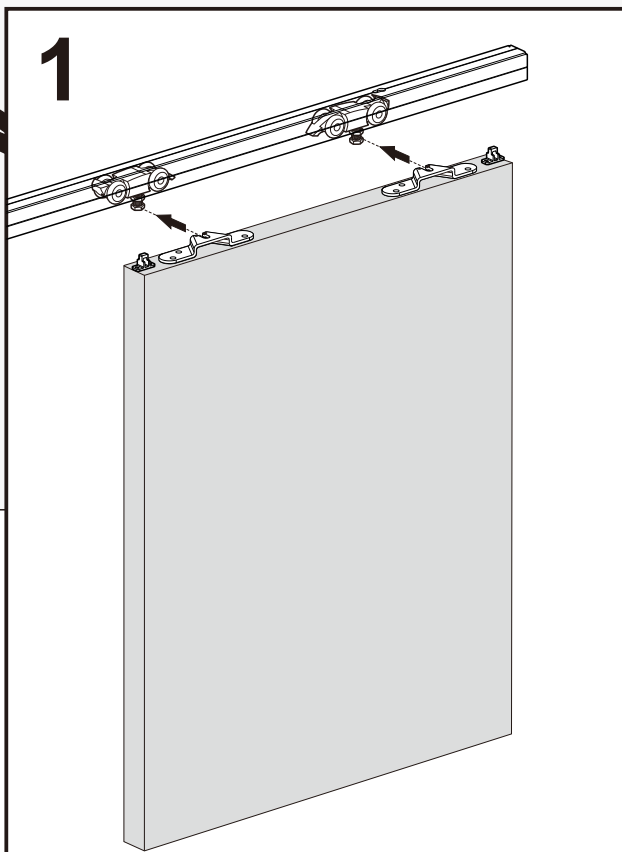
2



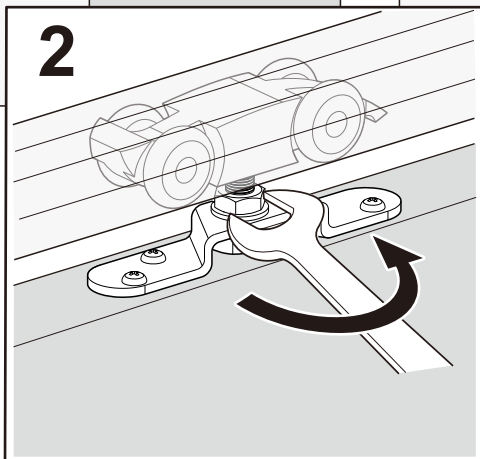
6



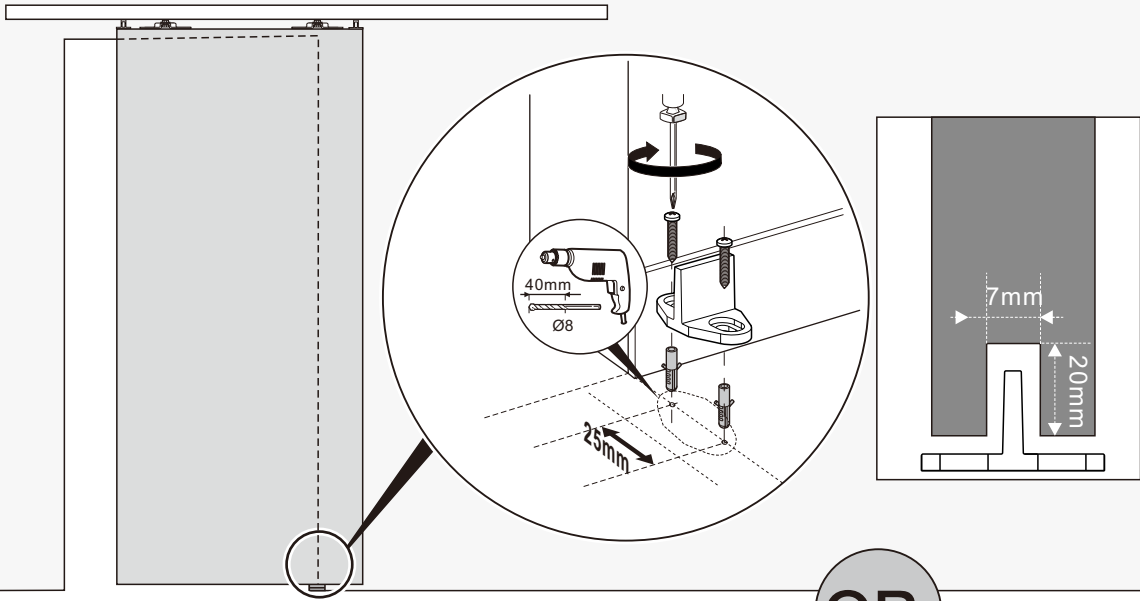
1



2

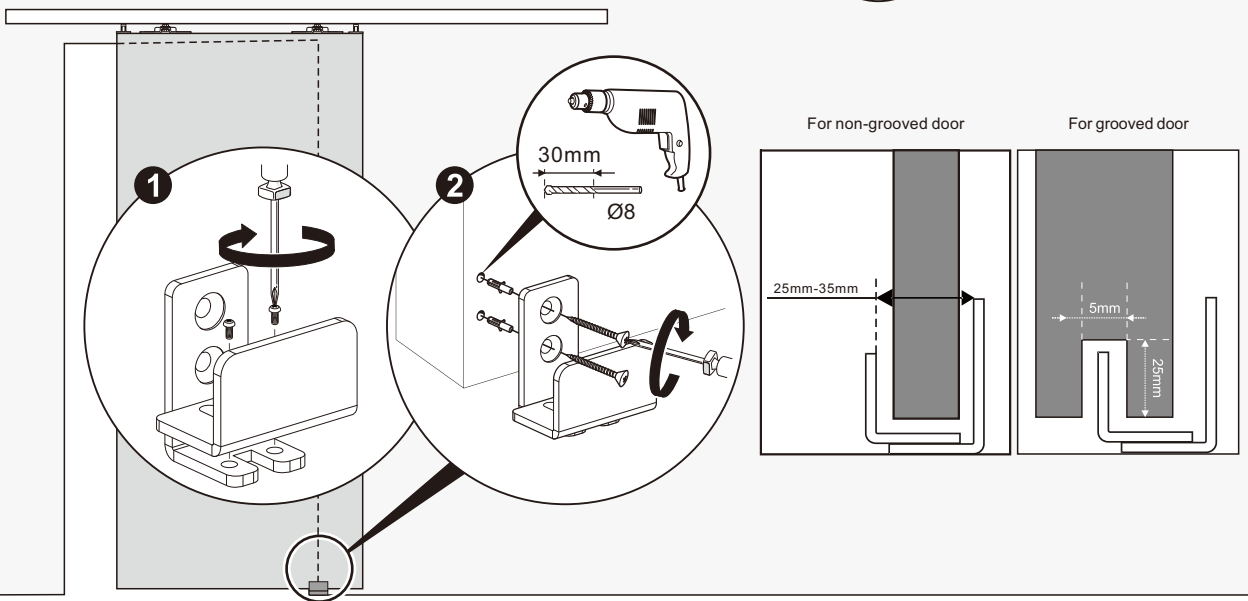


7

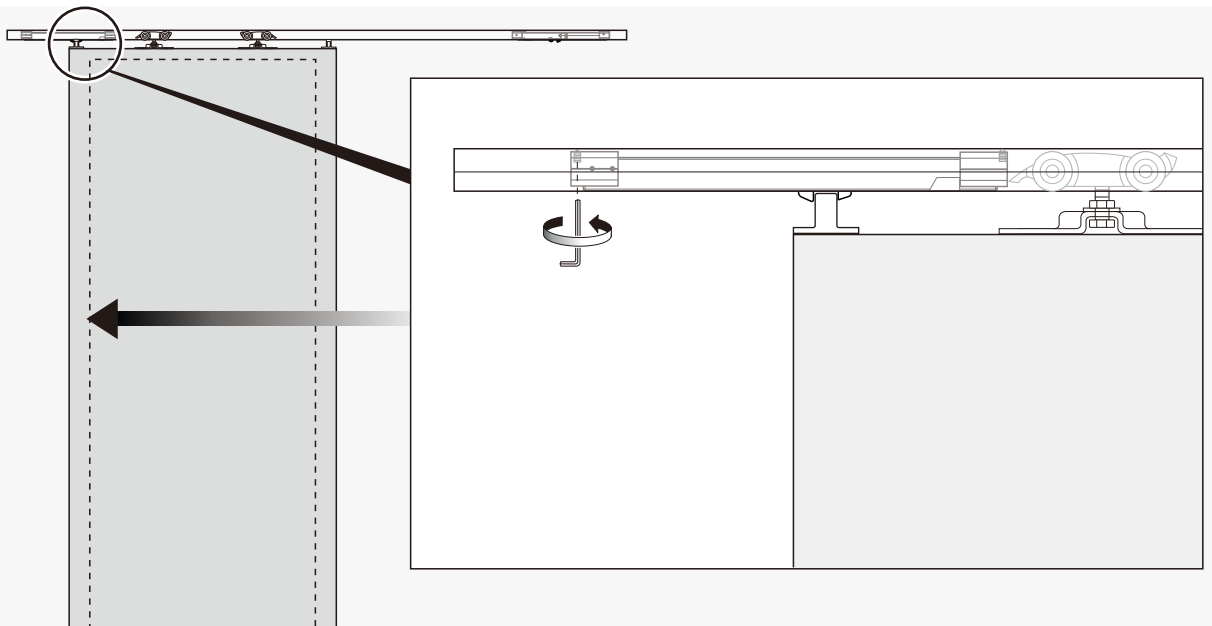


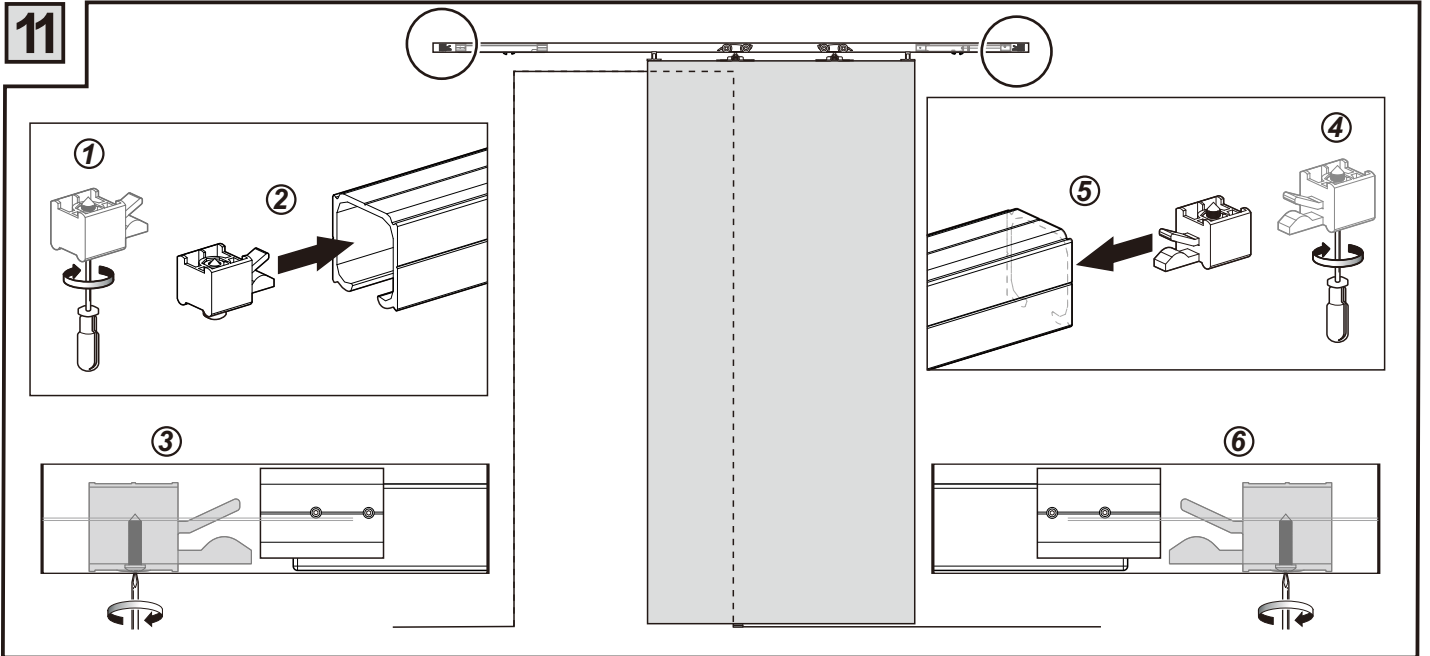
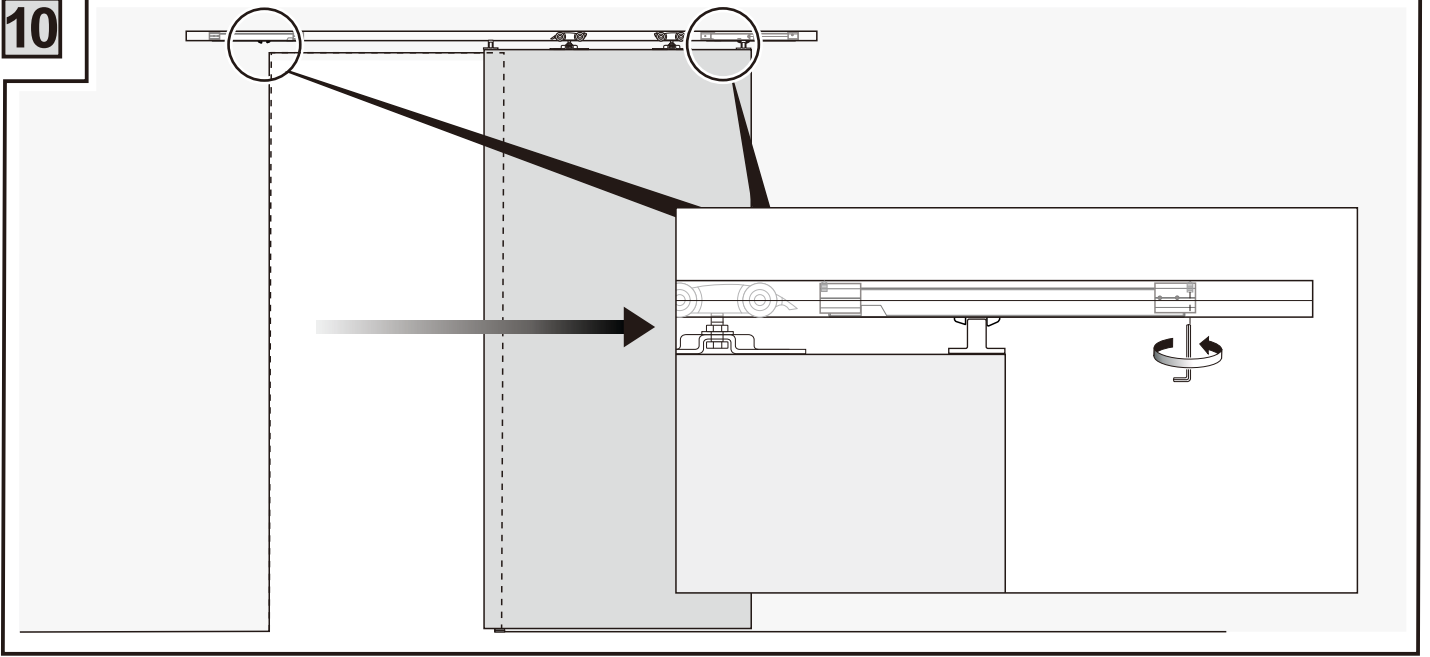
OR

8

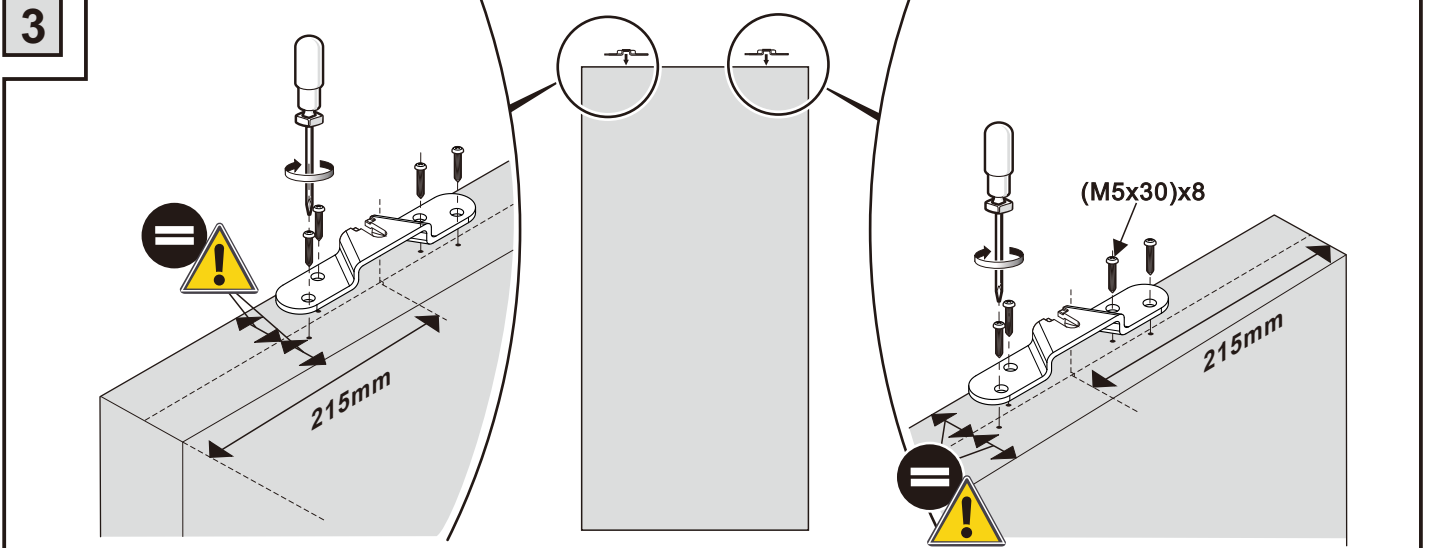


9

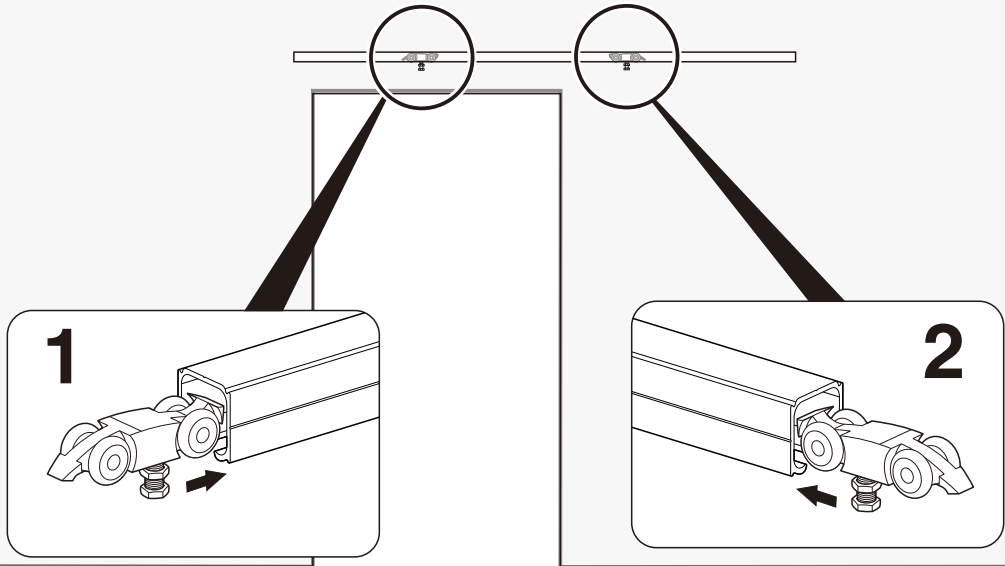




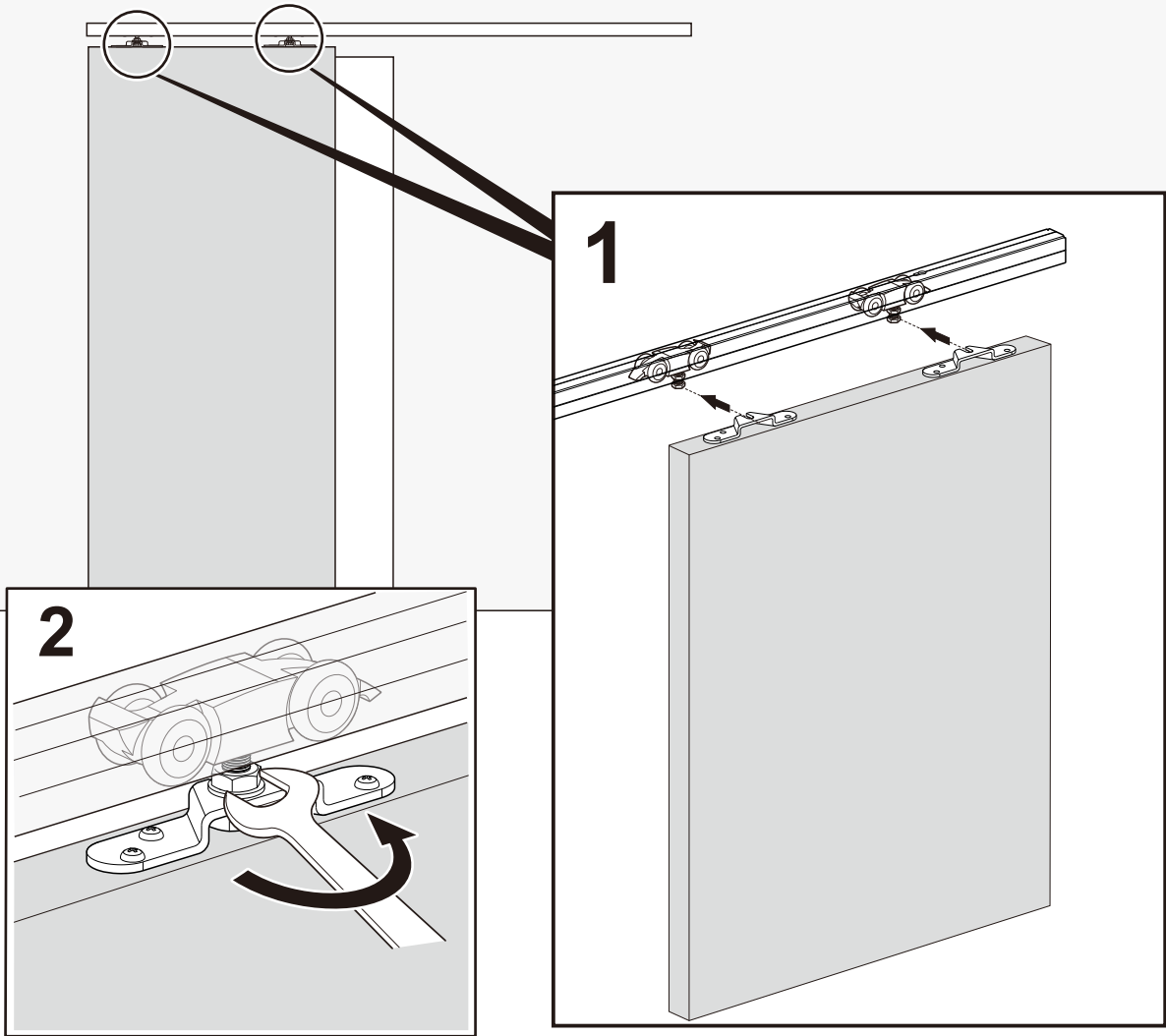
Without Buffering



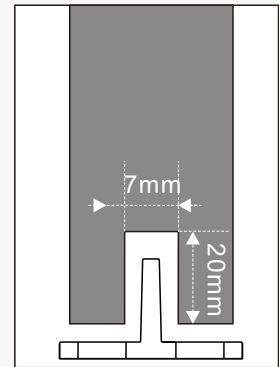
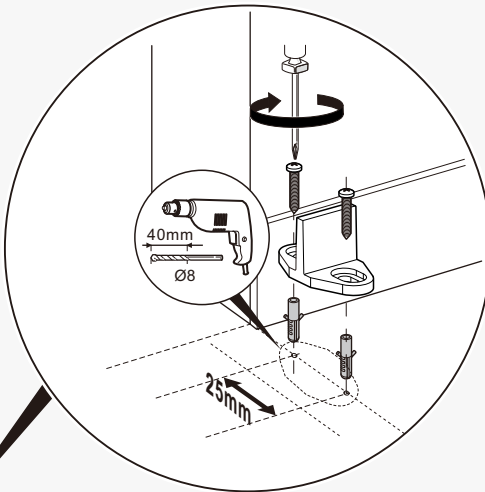
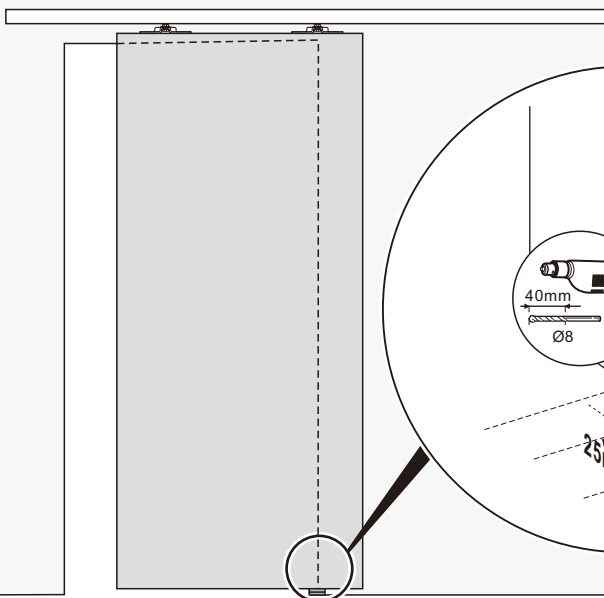
4



5

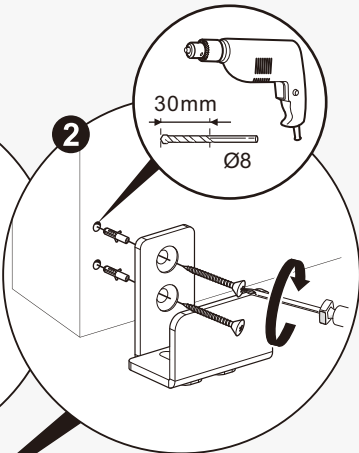
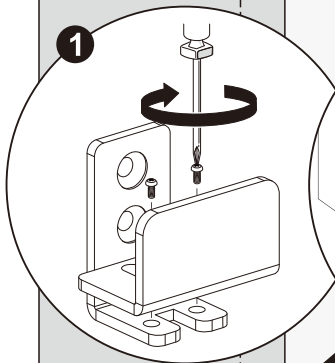
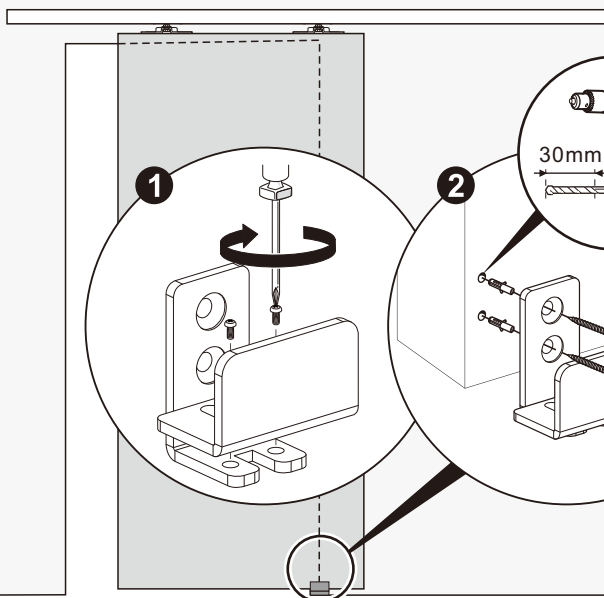


6



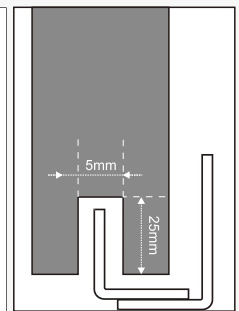
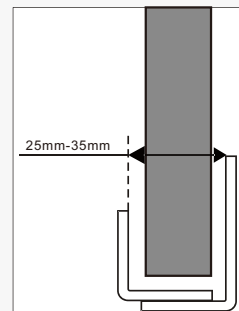
OR

7

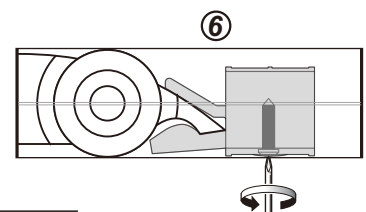
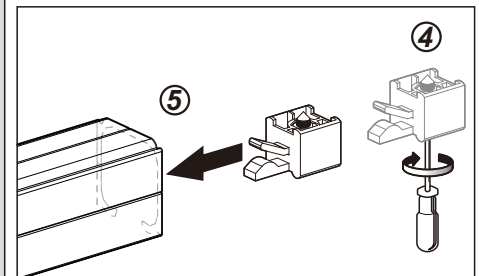
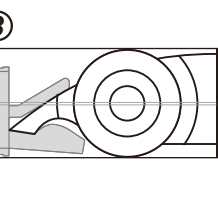
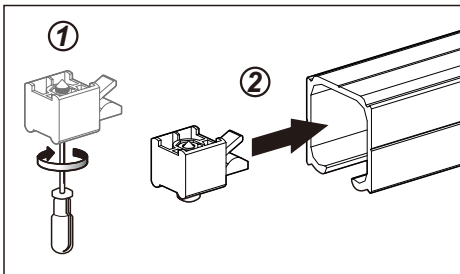
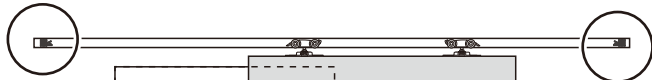


For non-grooved door

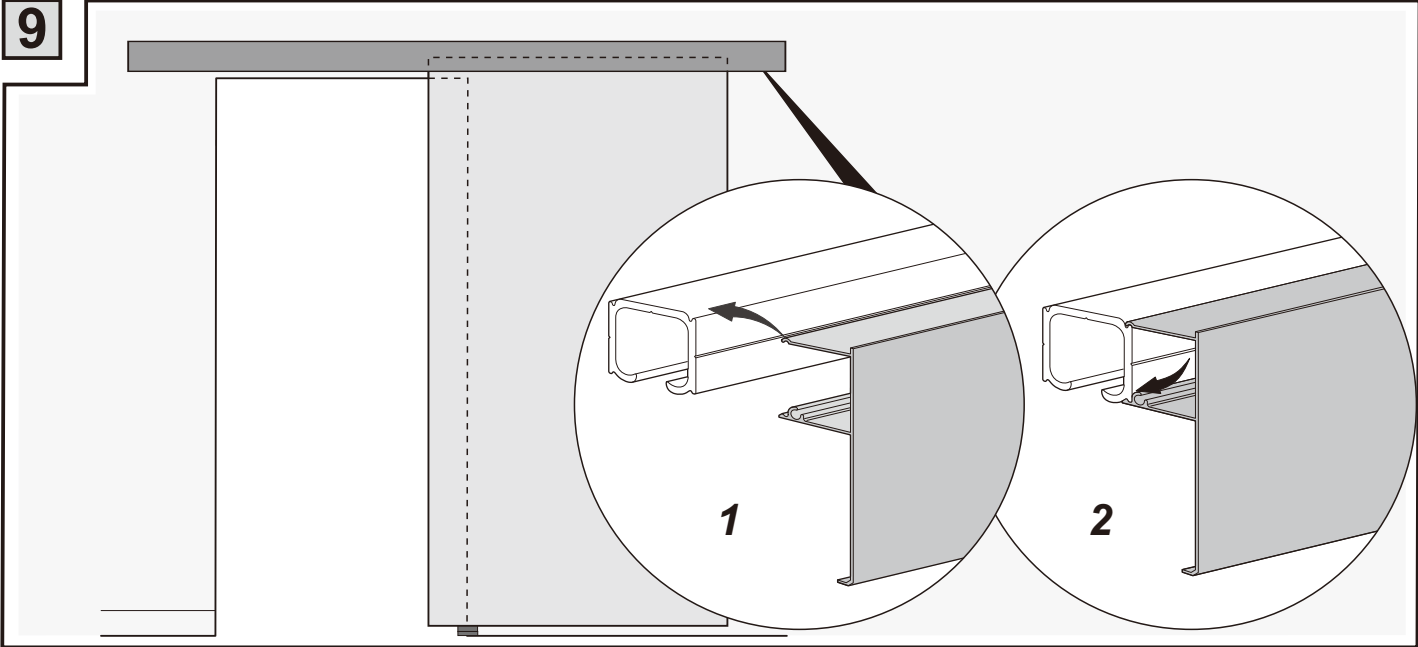
For grooved door



8



9



10

