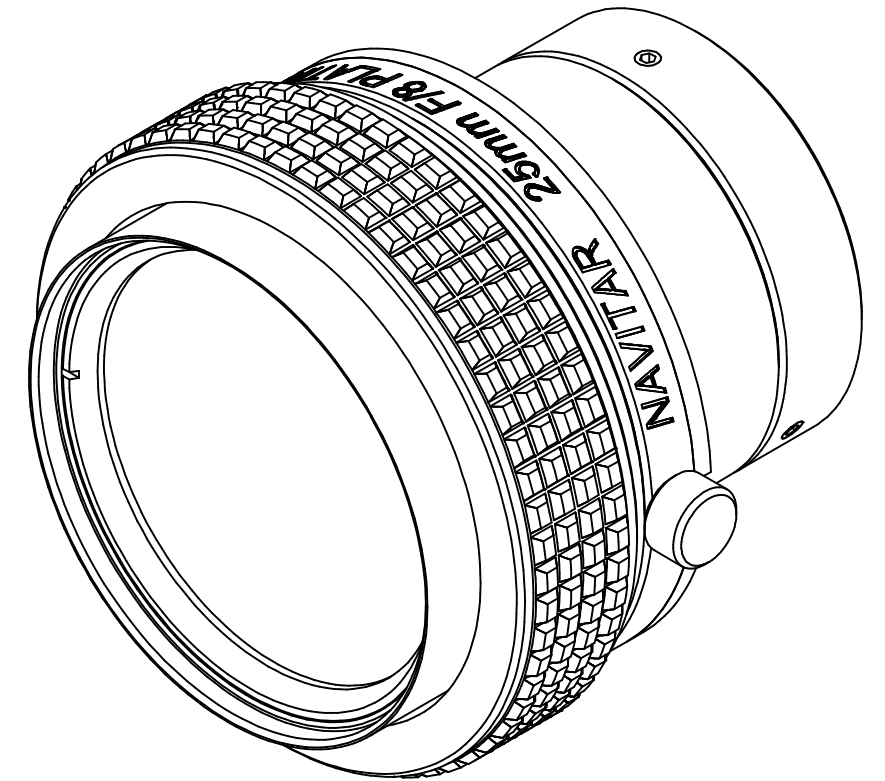
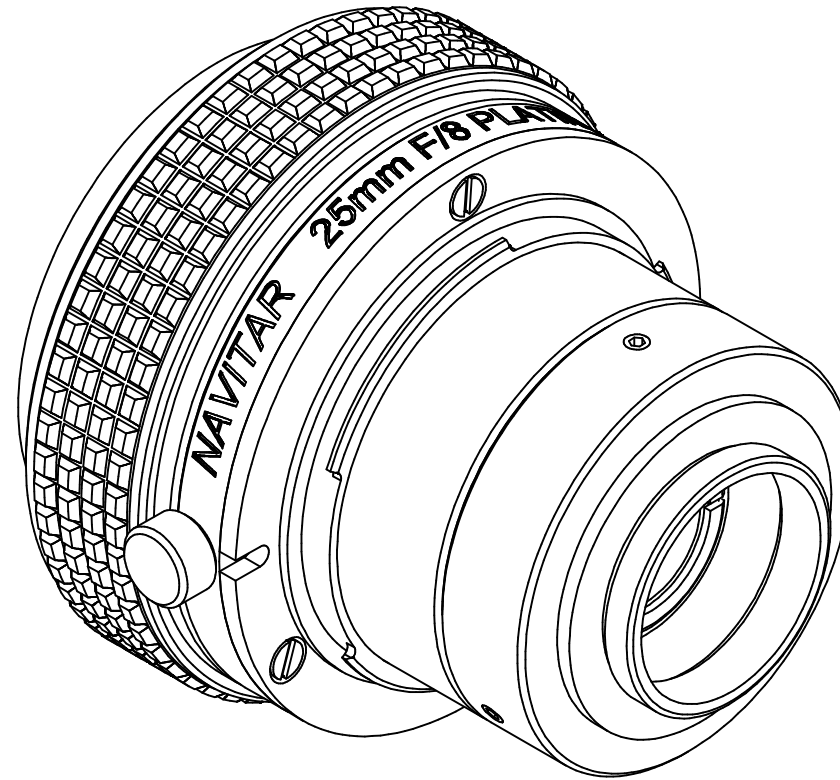
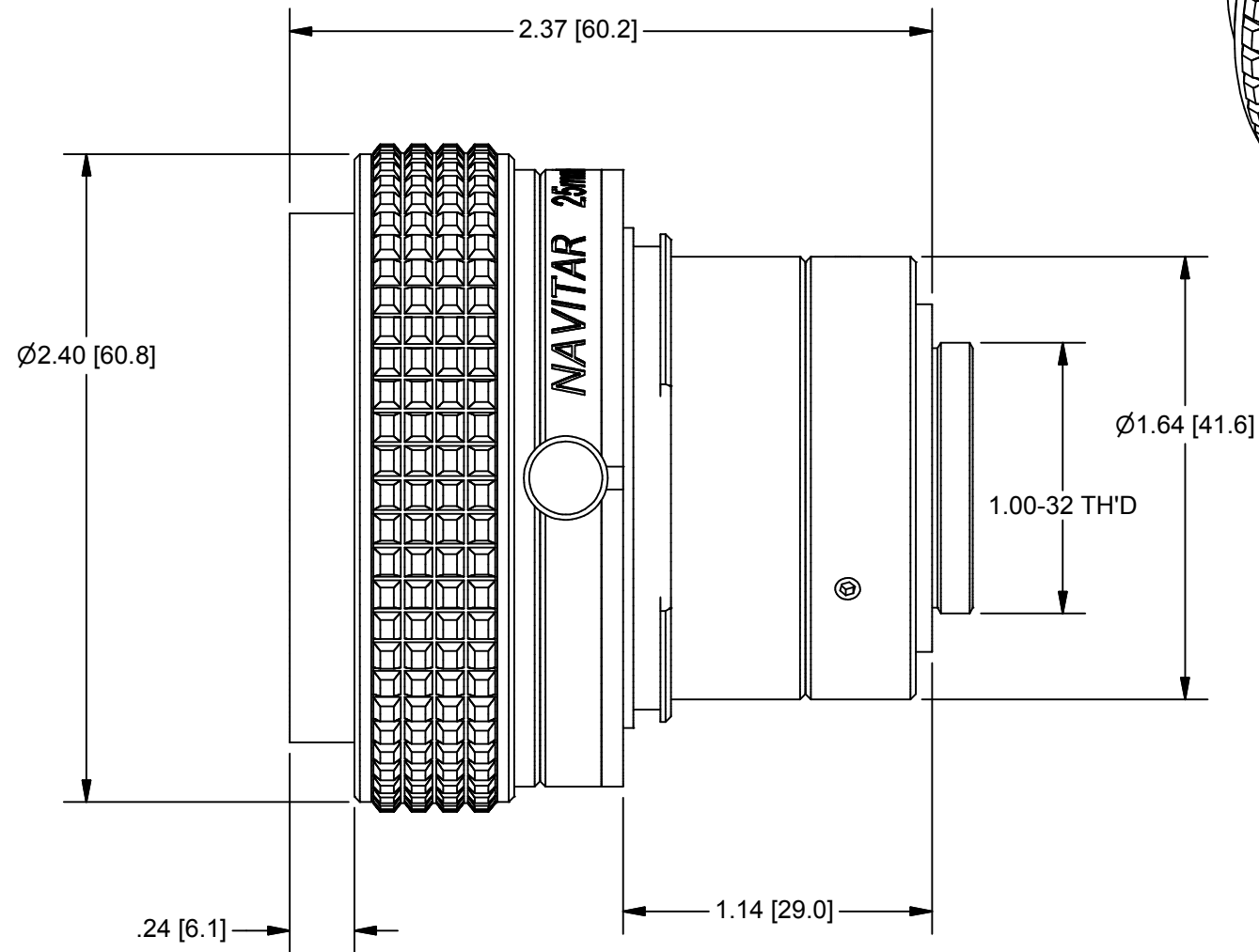


REV	CHANGE RECORD AND DATE	CH
A	RELEASE 03/26/03	BE



## OUTLINE

USED ON:

MATERIAL:

UNLESS OTHERWISE SPECIFIED DIMENSIONS ARE IN INCHES AND INCLUDE CHEMICALLY APPLIED OR PLATED FINISHES

TOLERANCES:  
 DEC. .XXX ± .005  
 DEC. .XX ± .010  
 FRACT. ± 1/64  
 ANGLES ± 30'  
 CONCENTRICITY .003 TIR  
 BREAK ALL SHARP EDGES  
 .005 MIN. .010 MAX  
 MAX. SURF. ROUGHNESS 32 √

CHAMFER ALL THREADS  
 30° TO ROOT DIAM.

P/N SUFFIX DEFINITION  
 -1 CONVERSION COATING  
 -2 PAINTING  
 -3 MARKING  
 -R REWORK

SCALE: 1.5:1

DR.: B. ERTEL

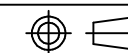
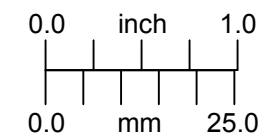
CH.: PB

APP.: PB

DATE DR.: 2/25/2003

DO NOT SCALE DRAWING

THE CONTENTS OF THIS DOCUMENT ARE PROPRIETARY TO NAVITAR, ITS USE IS AUTHORIZED ONLY FOR RESPONDING TO REQUEST FOR QUOTATION OR PERFORMANCE OF WORK FOR NAVITAR



**NAVITAR**  
 ROCHESTER, NEW YORK

25mm LENS ASSEMBLY

SIZE

**B**

**1-15838**

SHEET 1 OF 1

REV

**B**