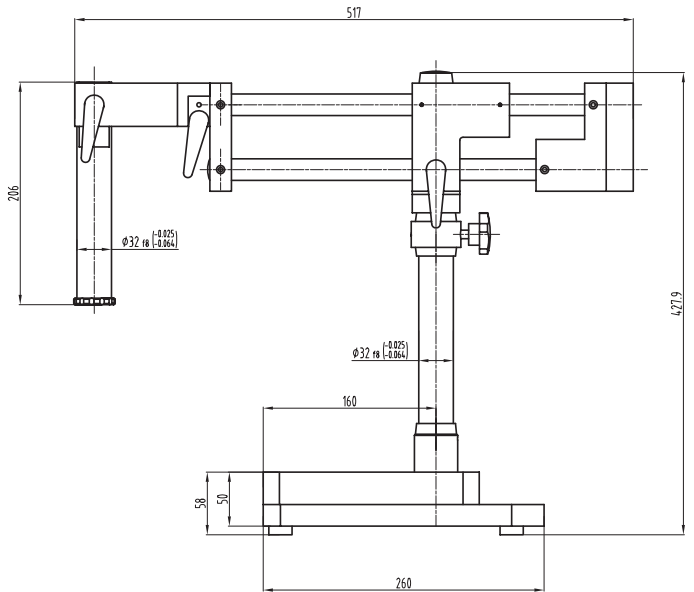
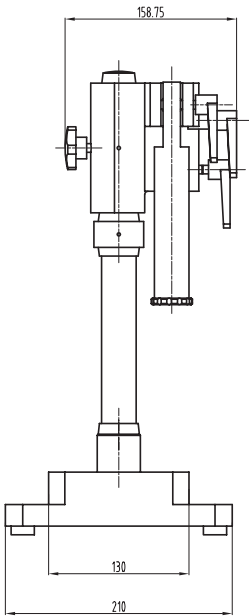
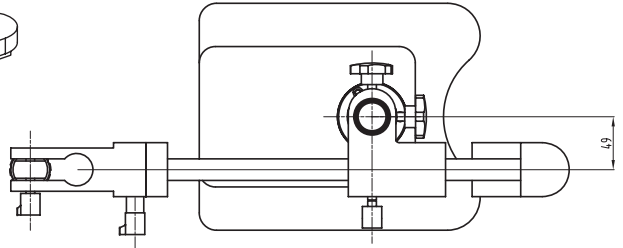
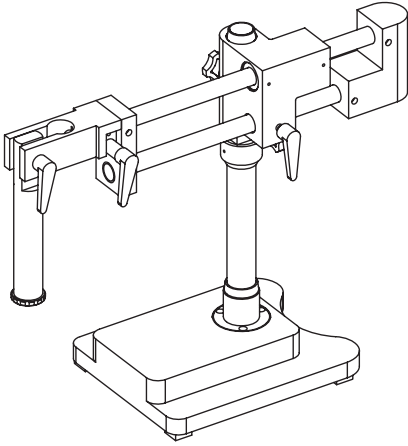


Dimensions



Dimensions holder for optics

