

KS GREENLAND PADDLE SPLIT

EASY PADDLE JOINT FOR GREENLAND PADDLES

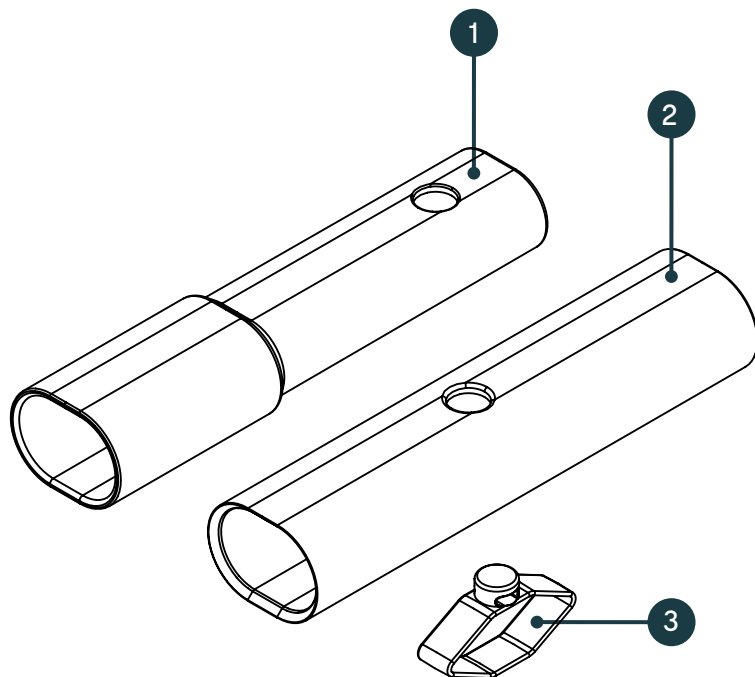


KS GREENLAND PADDLE SPLIT, PART LIST

Parts

KS Greenland Paddle Split System (213510)

1. (213511) KS Greenland paddle split system, male
2. (213512) KS Greenland paddle split system, female
3. (220210) KS Snap button 12 mm

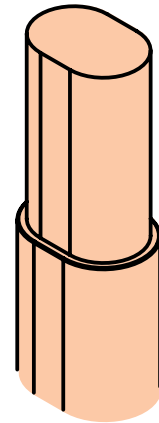
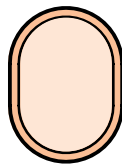


DIMENSIONS FOR THE JOINTMENT AREA

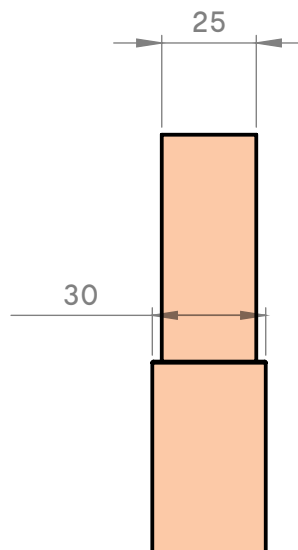
Crafting the jointment area

Narrow the wooden paddle shaft from the joint area to fit the Greenland paddle split system smoothly on the shaft.
Test the joint before gluing.

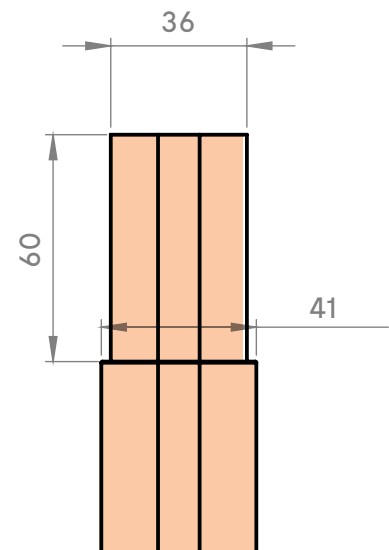
Wooden Shaft
Top View



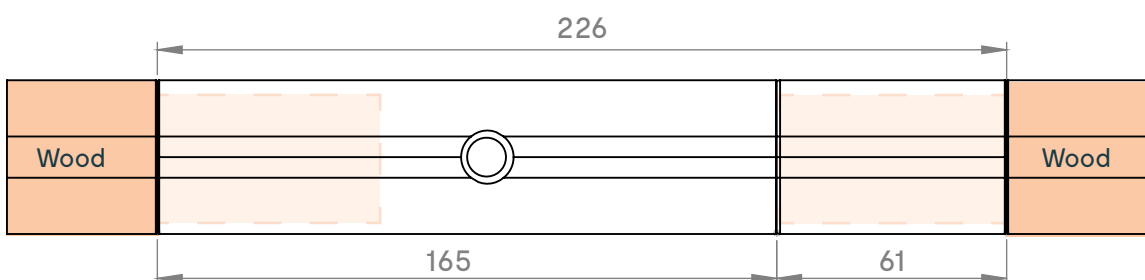
Right View



Front View



Assembled Paddle Split
Top View



GLUING THE SHAFT

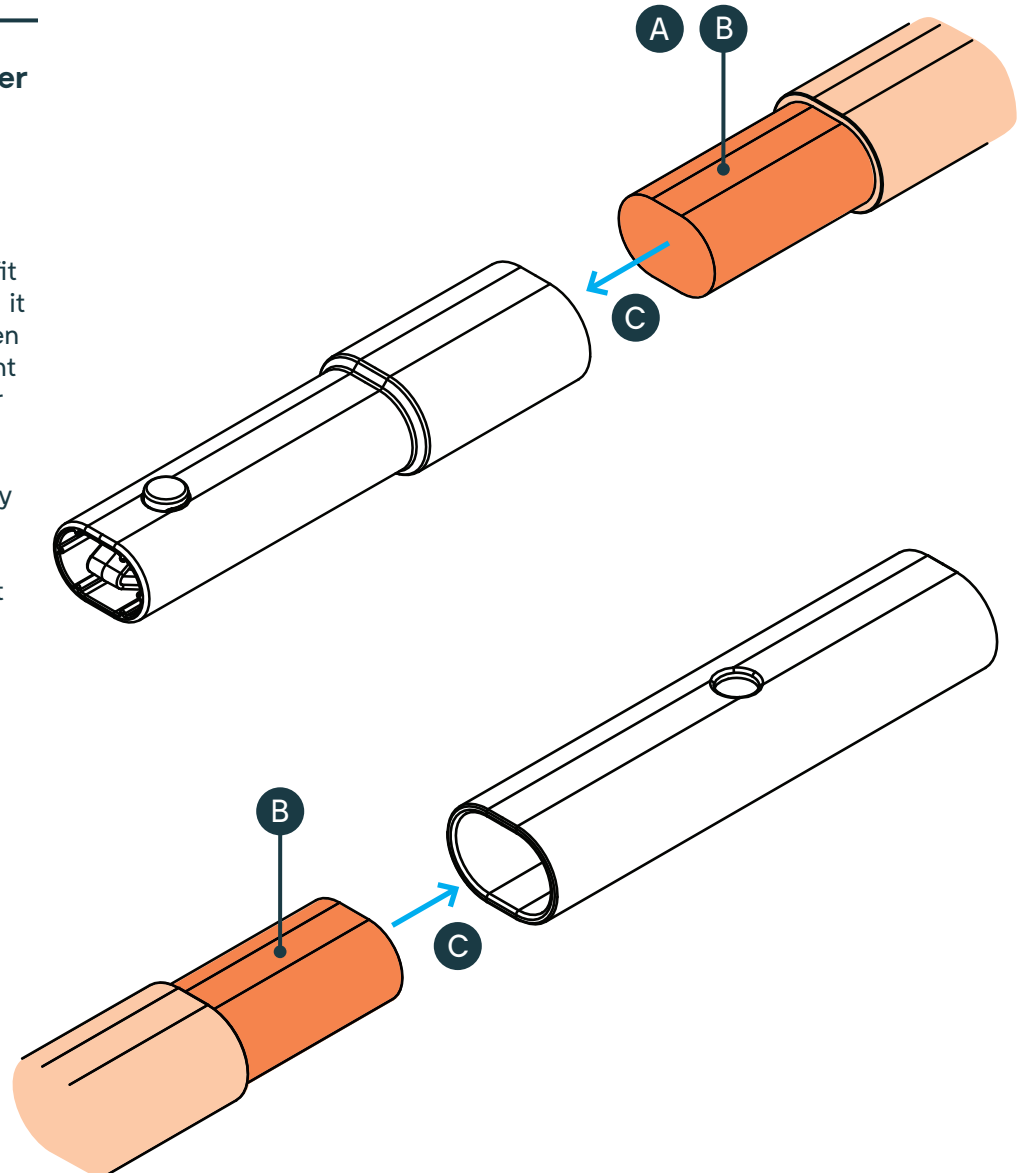
Attaching the parts together

We recommend using slow curing two compound epoxy glue for a reliable joint.

A. When the shaft is prepared to fit the greenland paddle split system it is important to close / seal all open wooden surfaces inside in the joint with liquid epoxy to prevent water absorption into the wood.

B. Spread the epoxy glue smoothly into the gluing surface

C. Push the greenland paddle split system firmly on it's place in the paddle shaft.



USING THE PADDLE SPLIT SYSTEM

How to use the paddle split

Use the snap button to disconnect the paddle in two halves.

Greenland paddle split joint is made to be very snug fit to prevent free slack. It is recommended to use lubricants like **silicon based spray or similar** in the sliding surfaces of the system. Lubricant will allow smooth and trouble free function together with proper cleaning of sand and salt crystal

