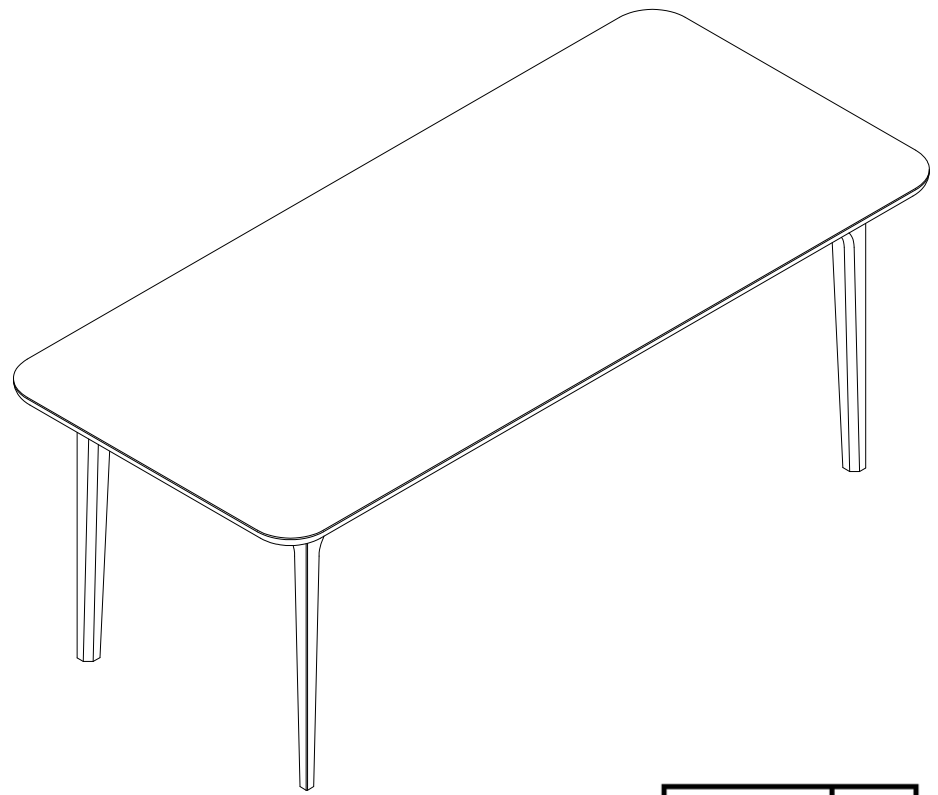


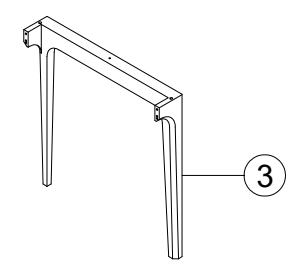
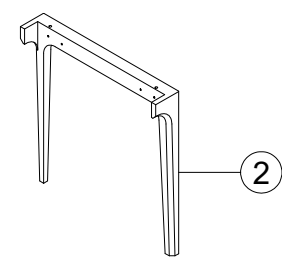
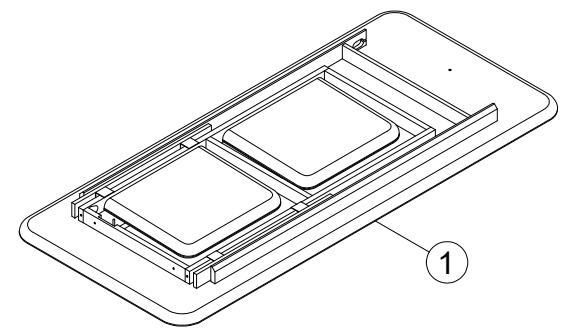
Fjerre

Montagehandleiding
Manual

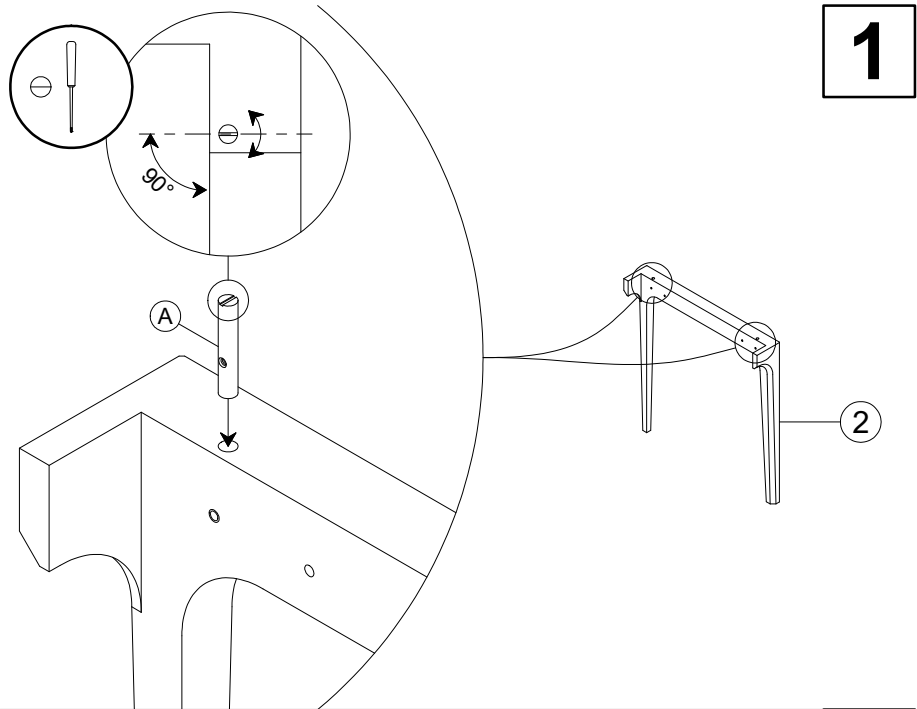


SAV &
ØKSE

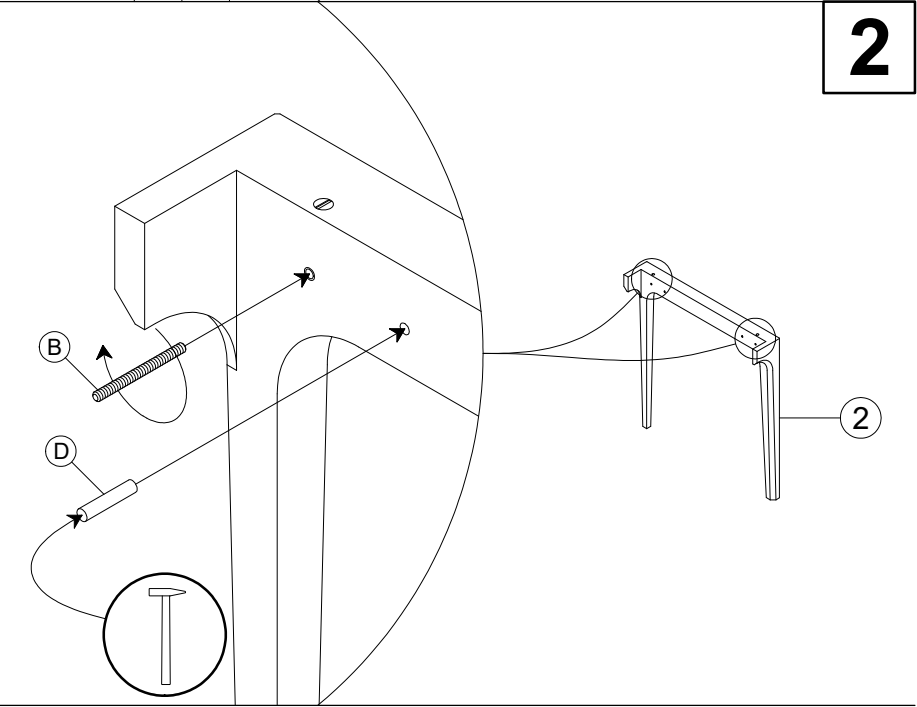
- | | | | | | |
|---------|--------|---------|--------|--------|--------|
| (A) 4x | (B) 2x | (C) 2x | (D) 2x | (E) 4x | (F) 4x |
| | | | | | |
| | M 6/85 | M 6/125 | Ø 8/35 | M 6 | |
| (G) 1x | (H) 2x | (I) 8x | (J) 8x | | |
| | | | | | |
| M 6/100 | M 5/60 | | | | |



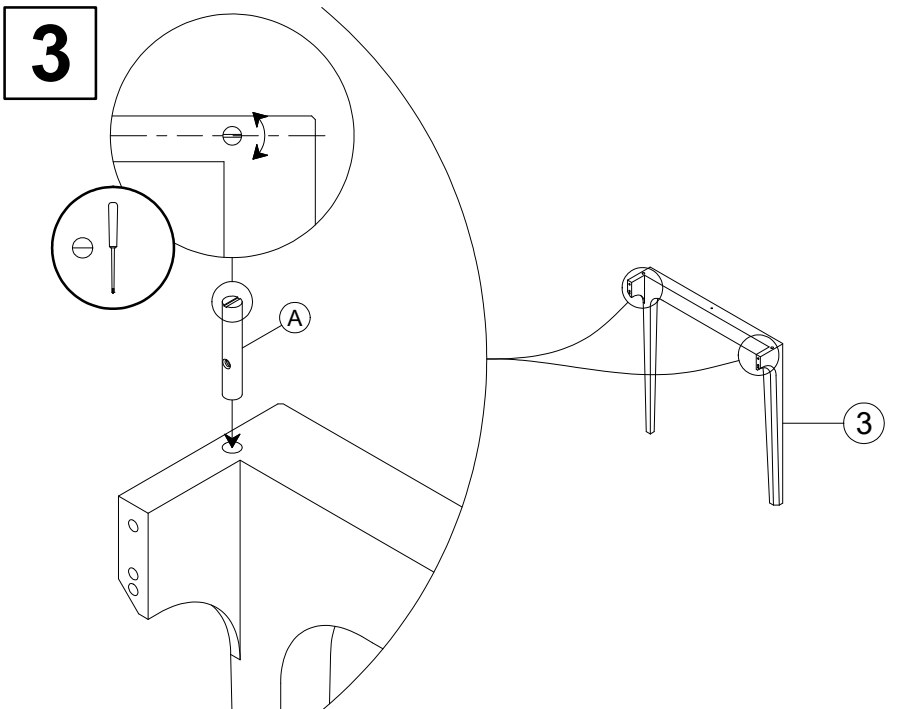
1



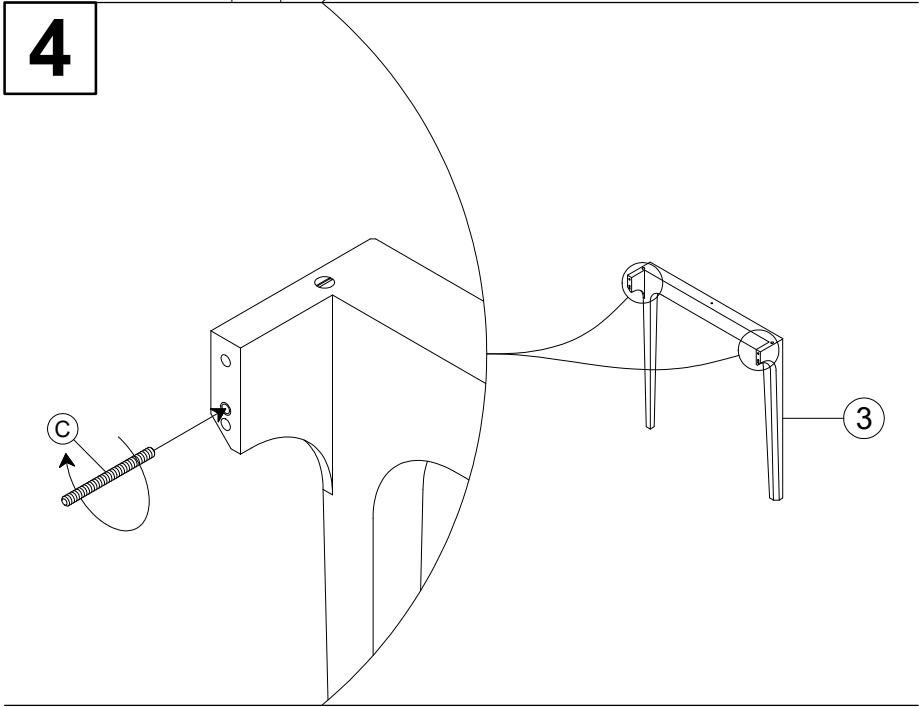
2



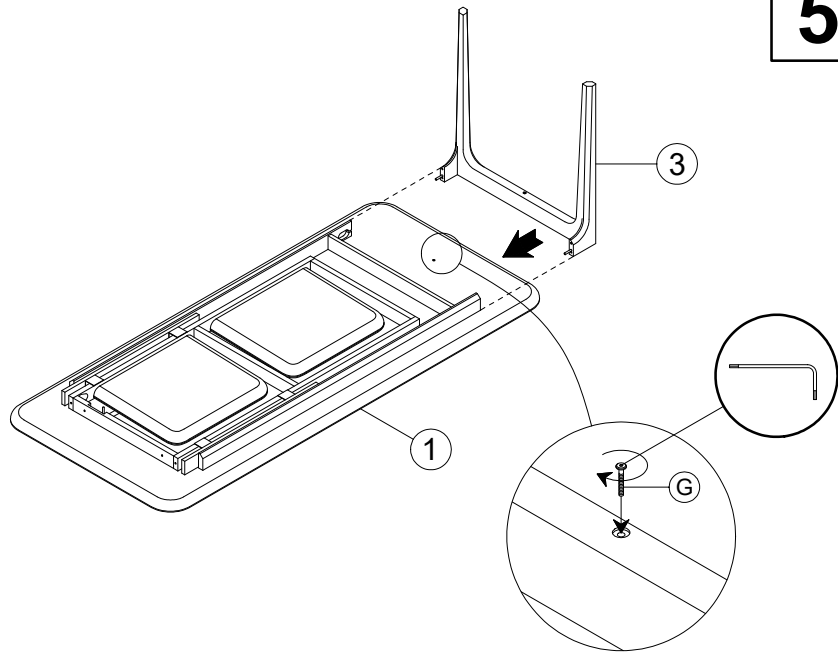
3



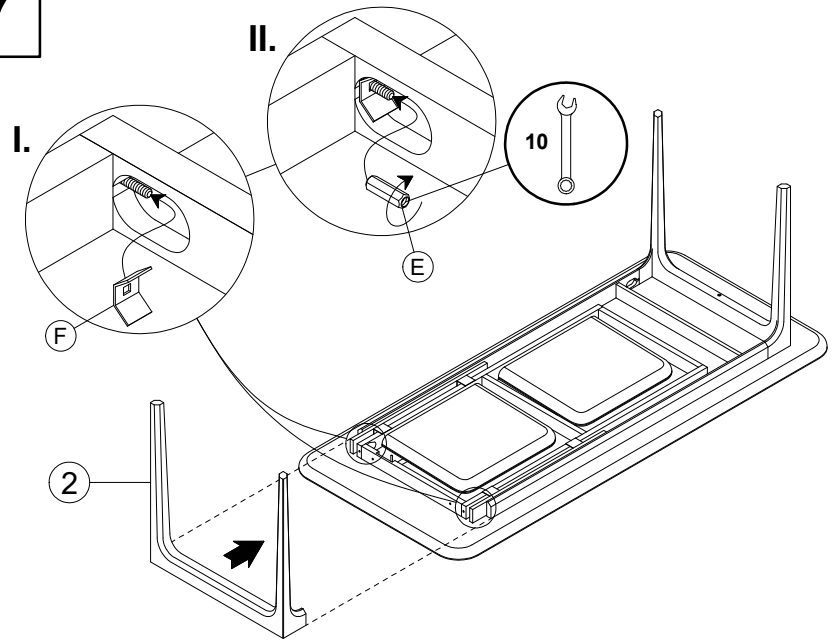
4



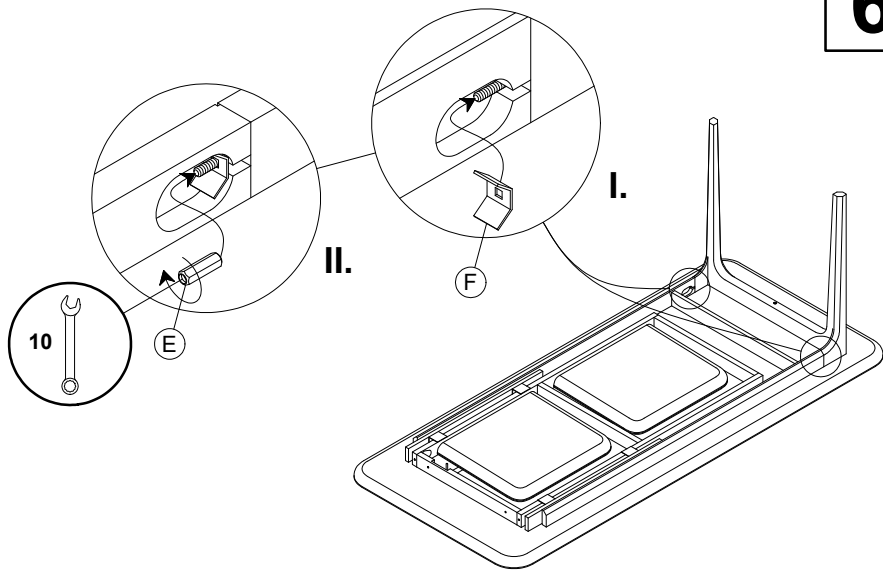
5



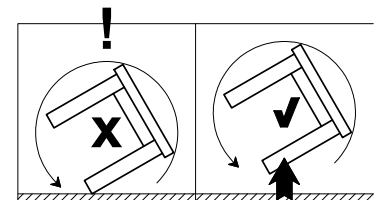
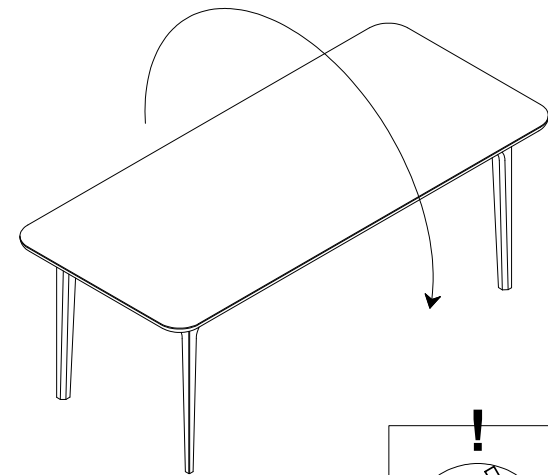
7



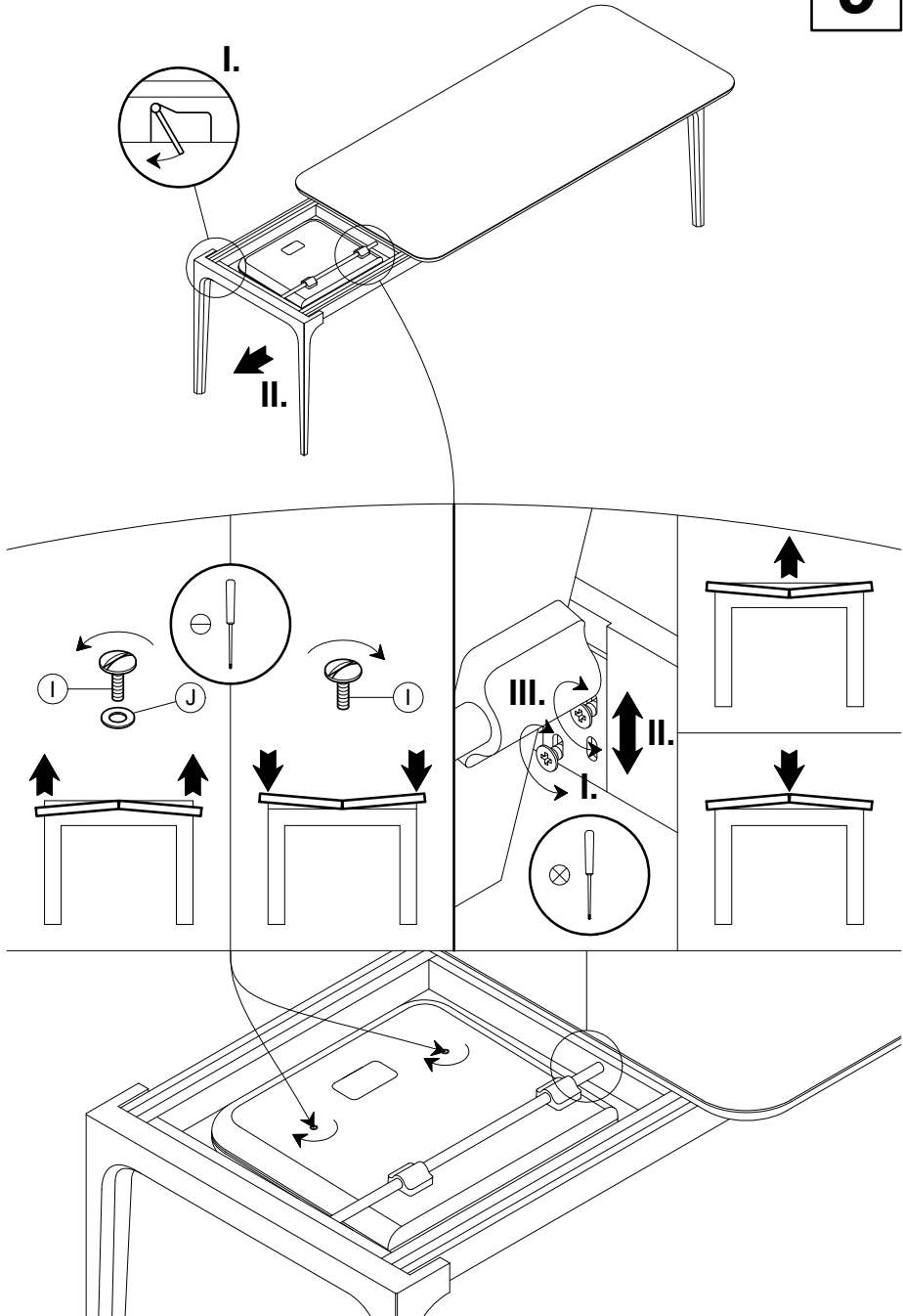
6



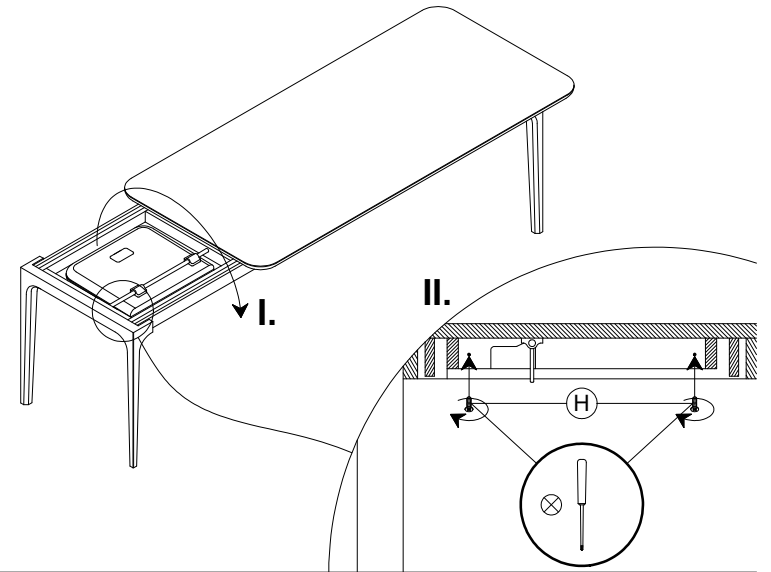
8



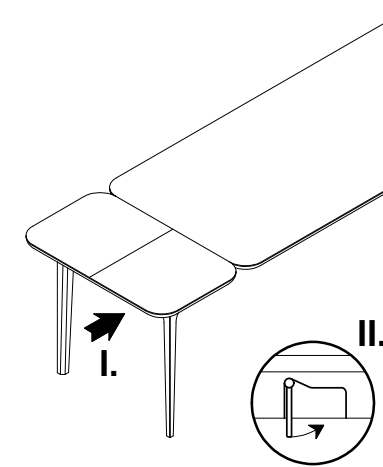
9



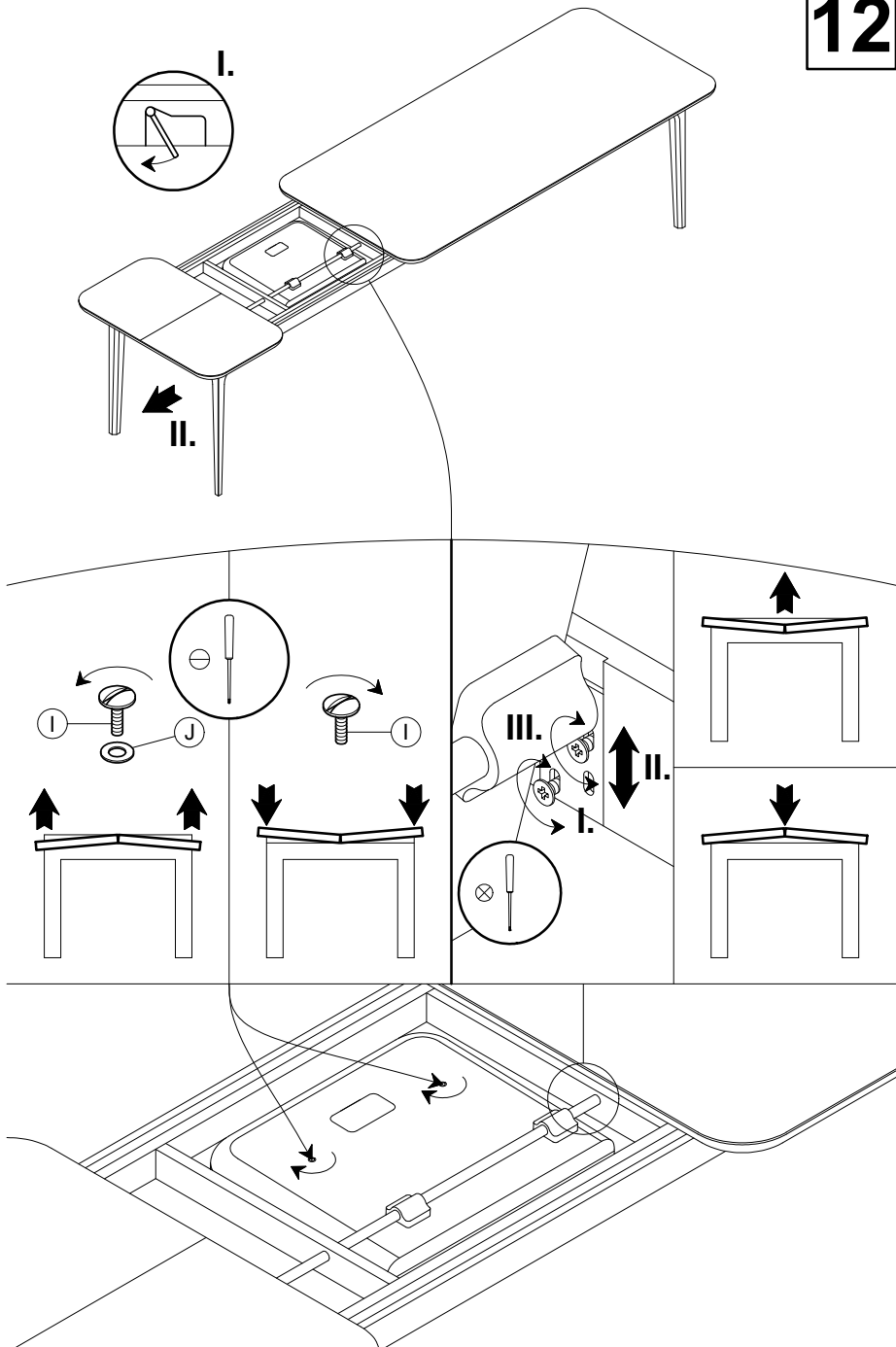
10



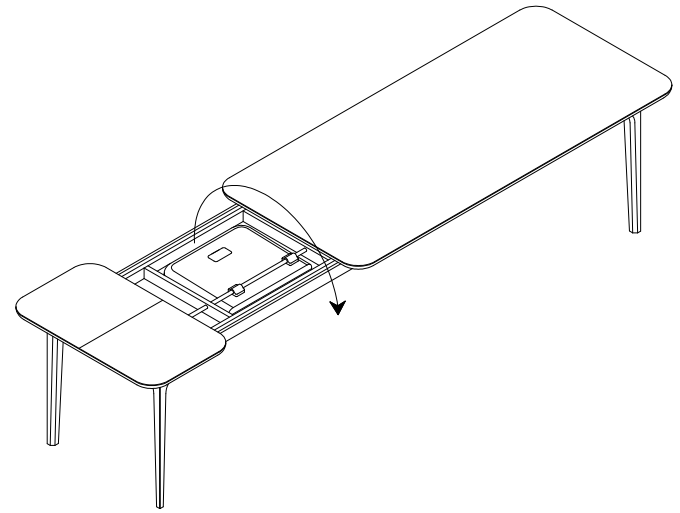
11



12



13



14

