

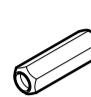


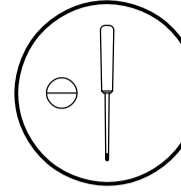
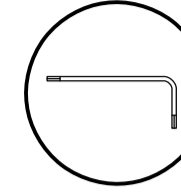
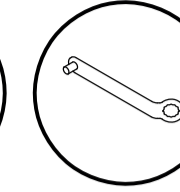
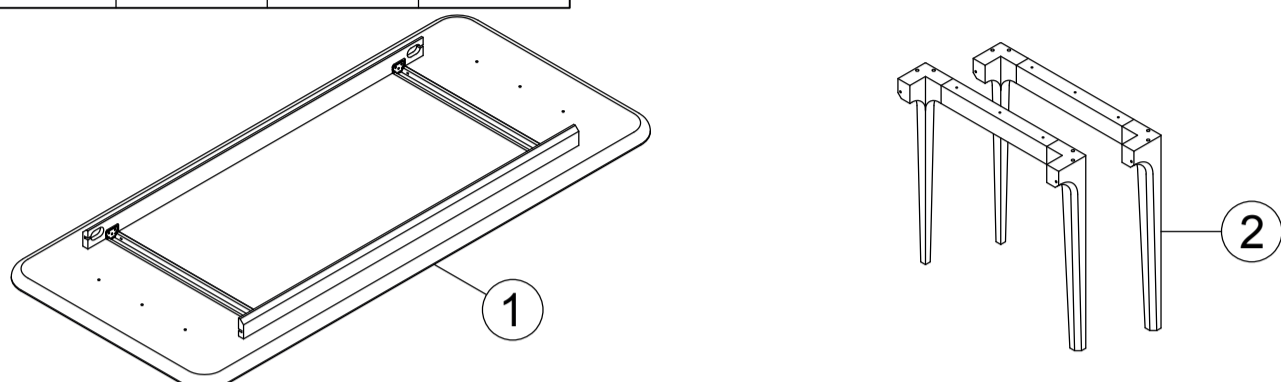


# Montage Instructies Manual

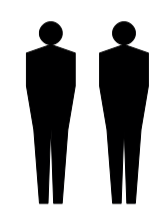
# Fjerre Tafel

<b>A</b>  4X	<b>B</b>  M 6/125 4X	<b>C</b>  M 6 4X	<b>D</b>  4X	<b>E</b>  M 6/60 6X
---	---	---	---	--

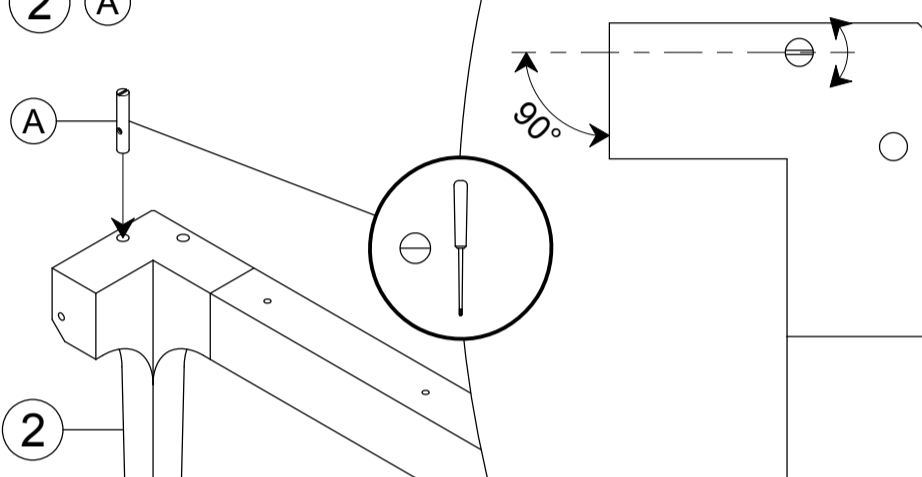






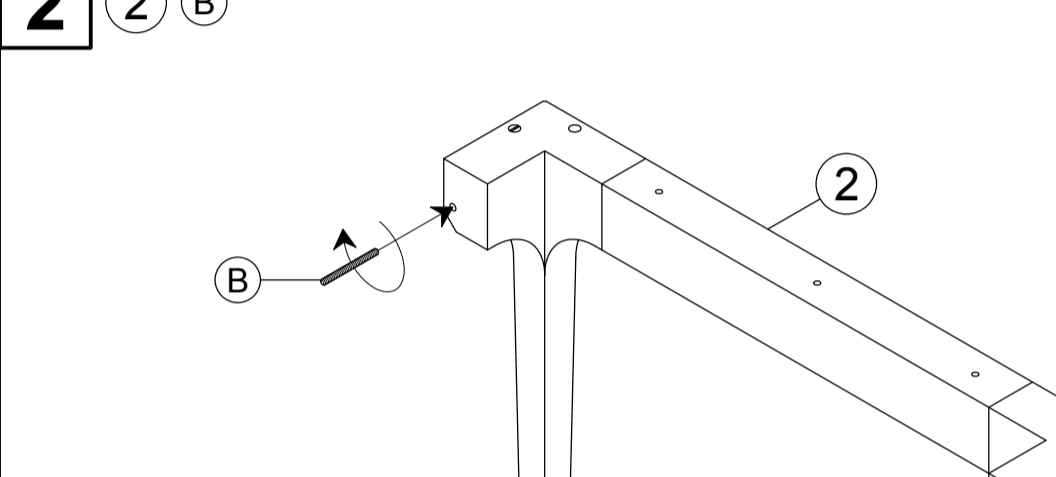
20 - 25 min.



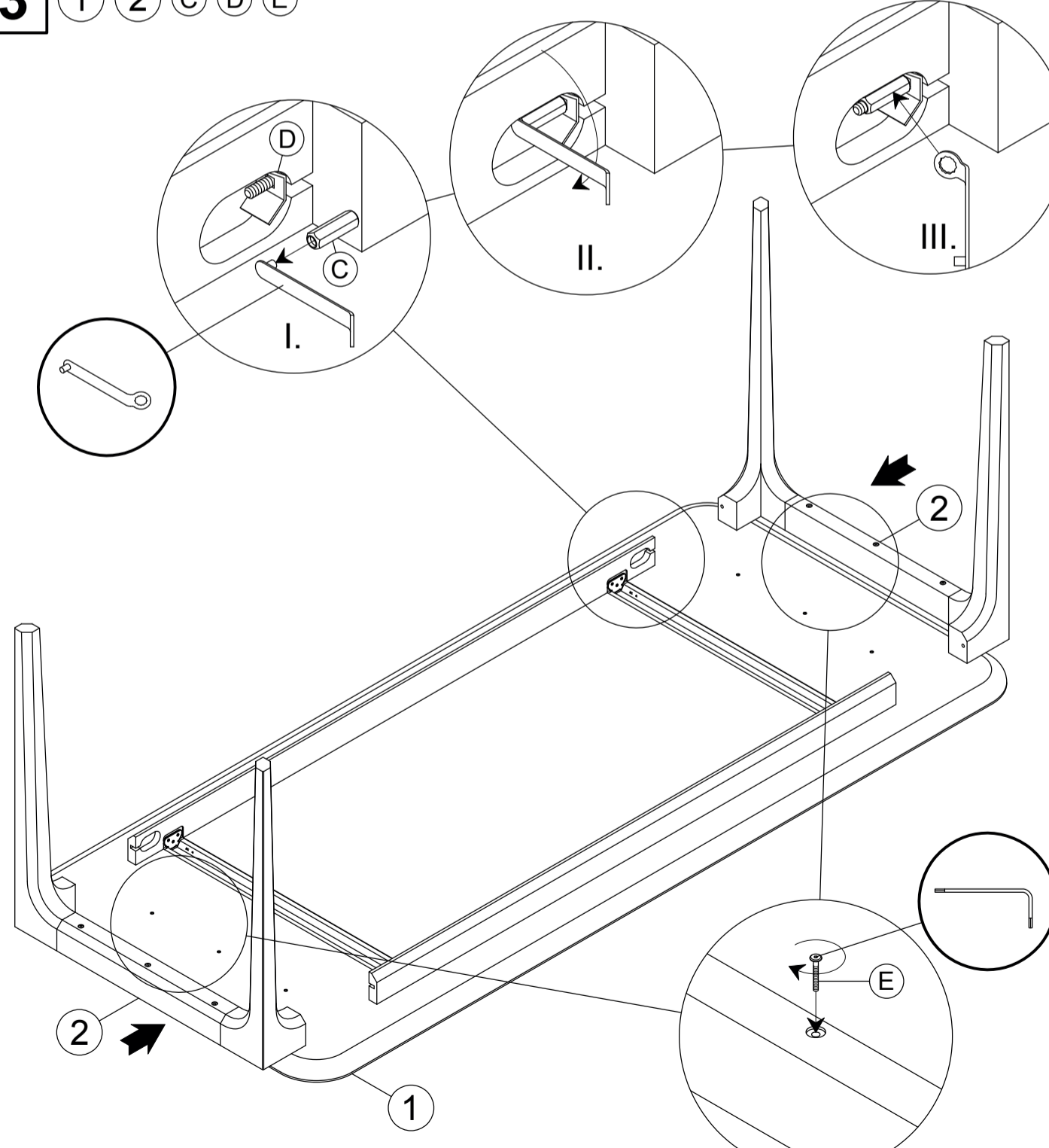
**1** (2) (A)



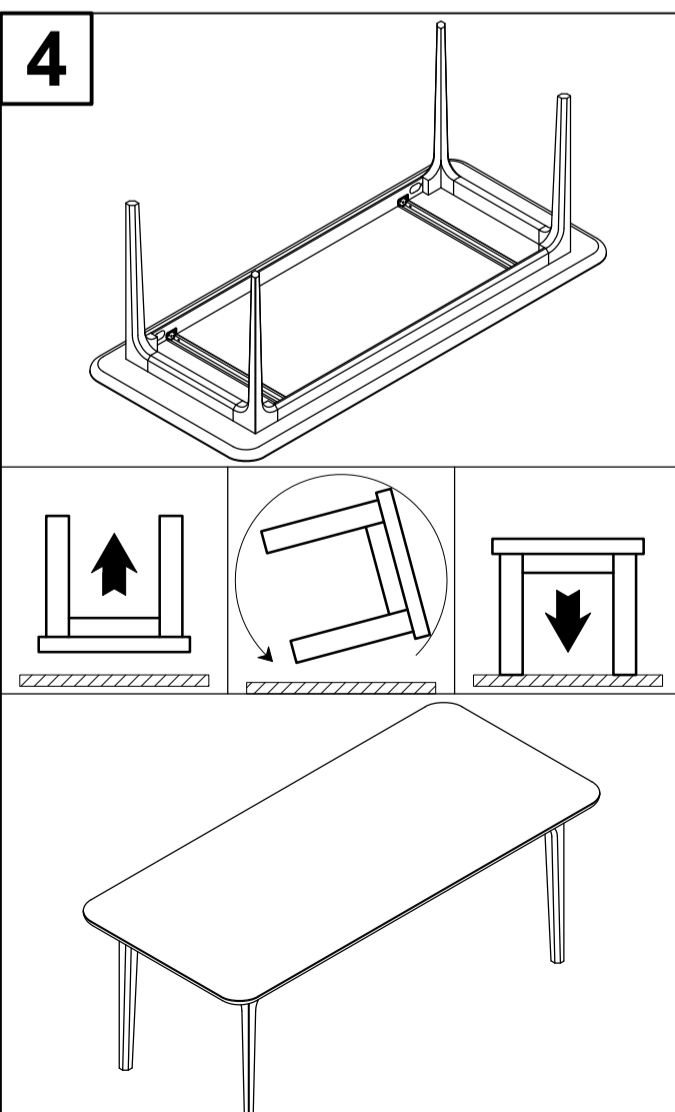
**2** (2) (B)



**3** (1) (2) (C) (D) (E)

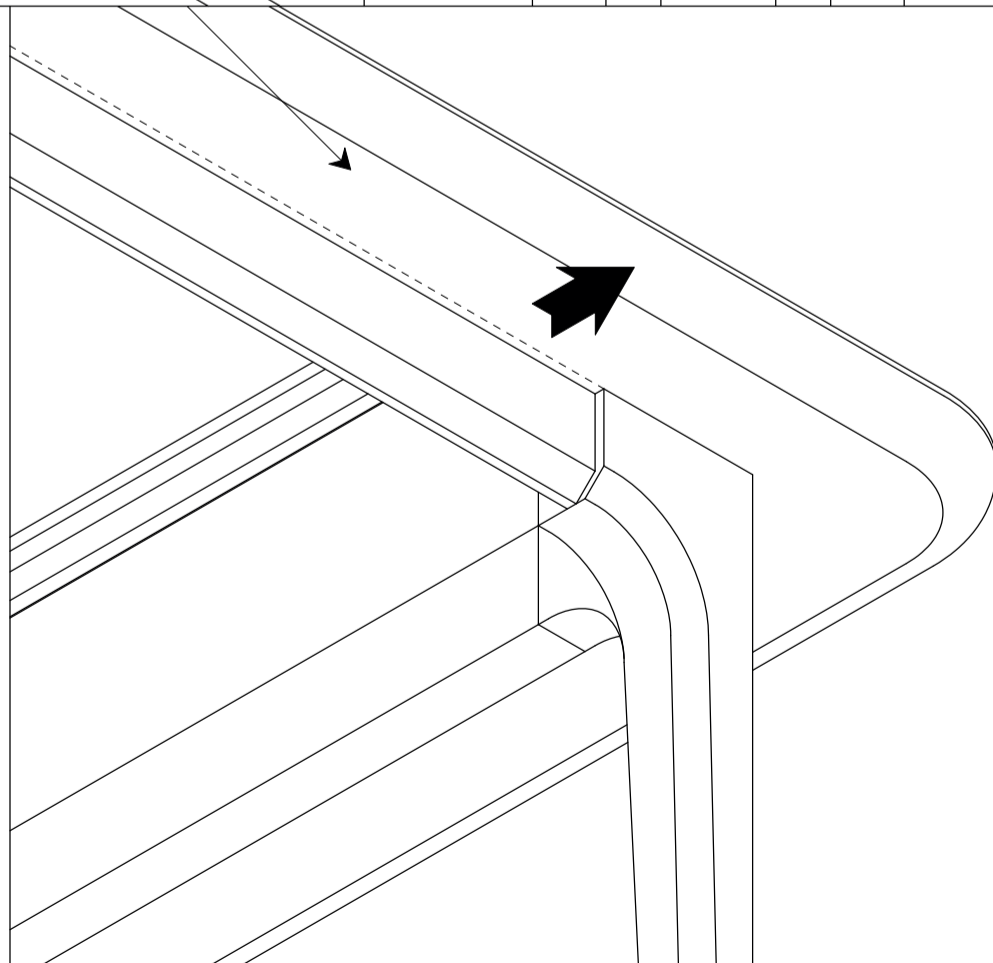
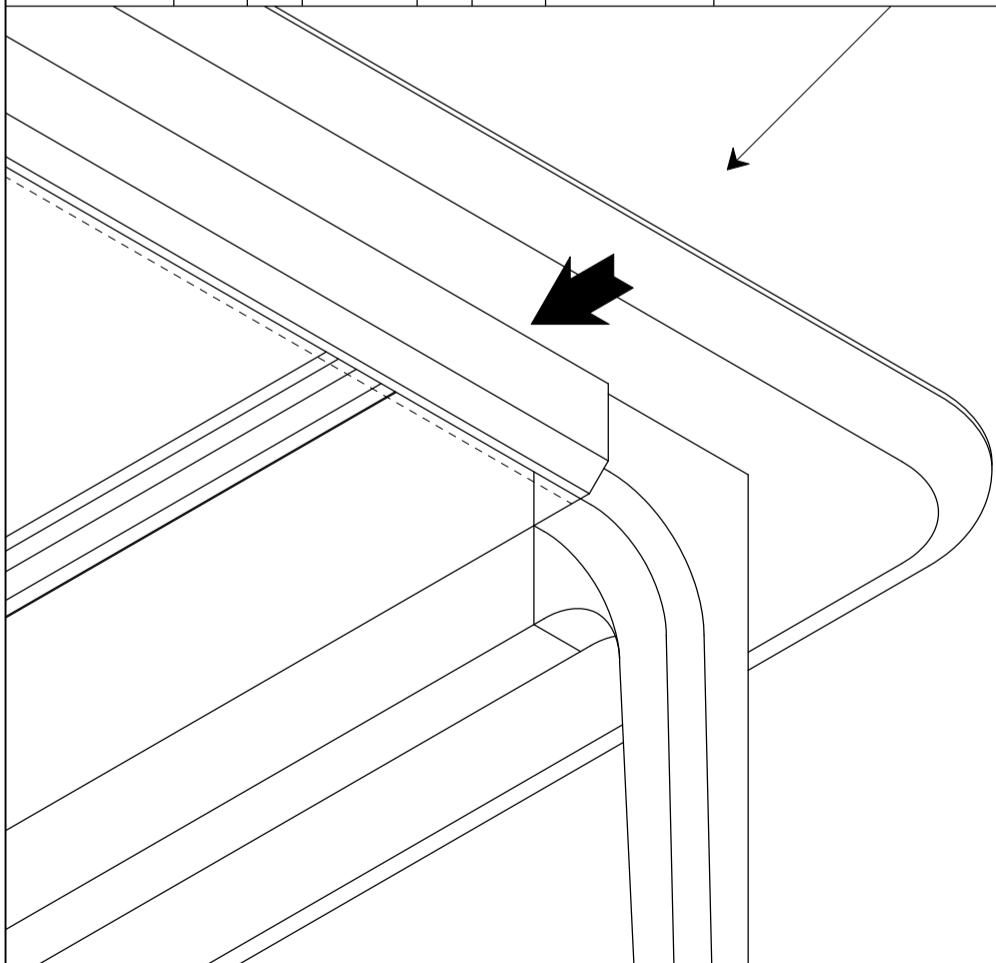
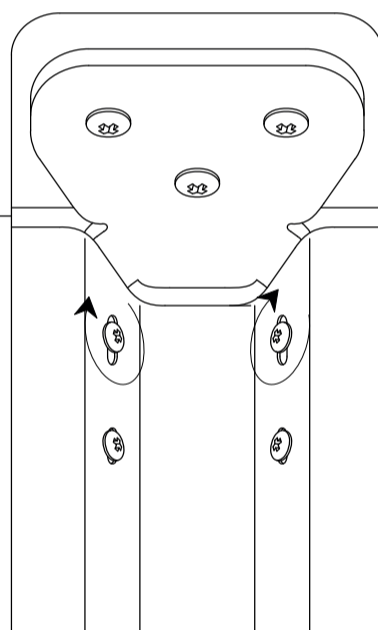
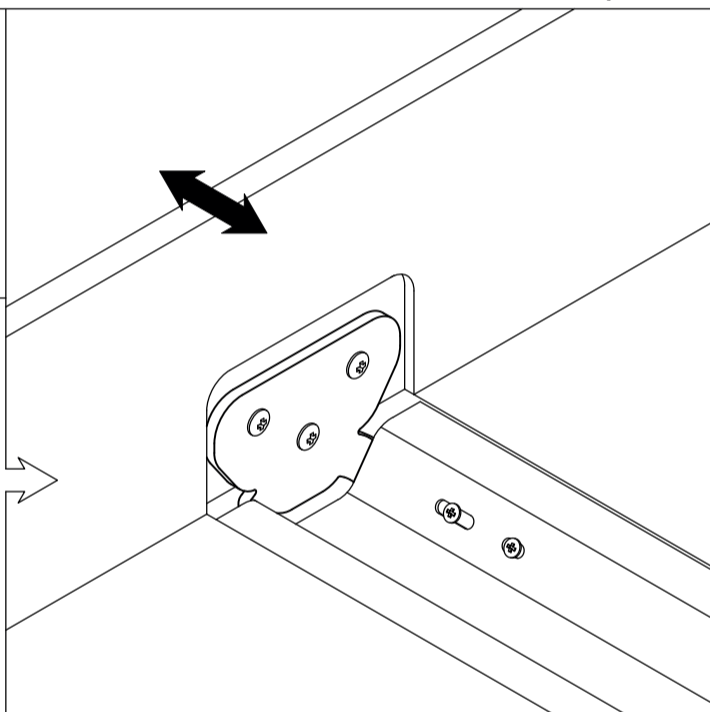
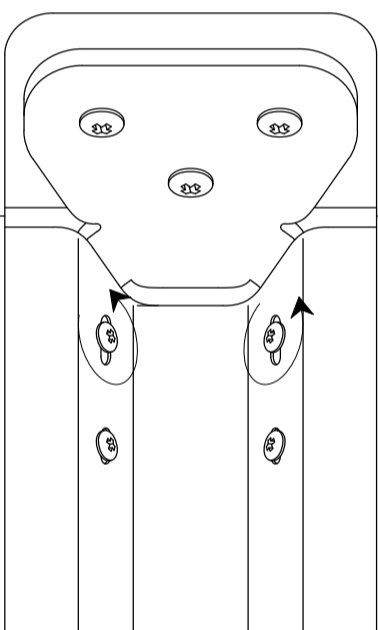
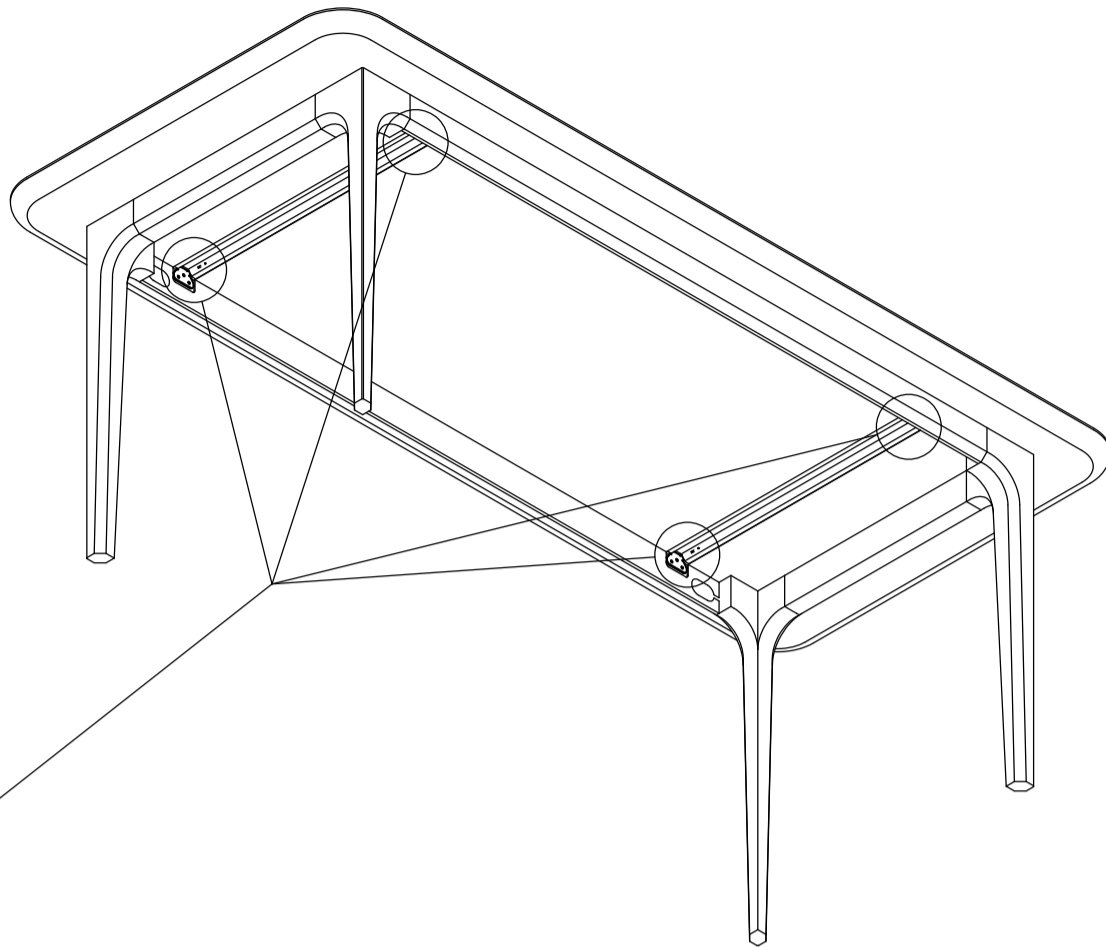


**4**



SAV&ØKSE

5



SAV&ØKSE