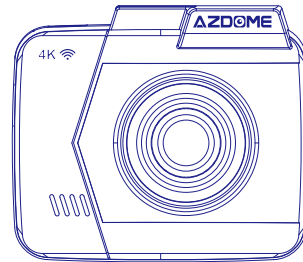


Owner's Manual

M06



KAKA GROUP LTD
www.azdome.hk service@azdome.hk
Address : 1801-1808, HaiYun Building, No. 468, Minzhi Avenue,
Longhua New District, Shenzhen, China. 518000, CN



V1.0

AZDOME

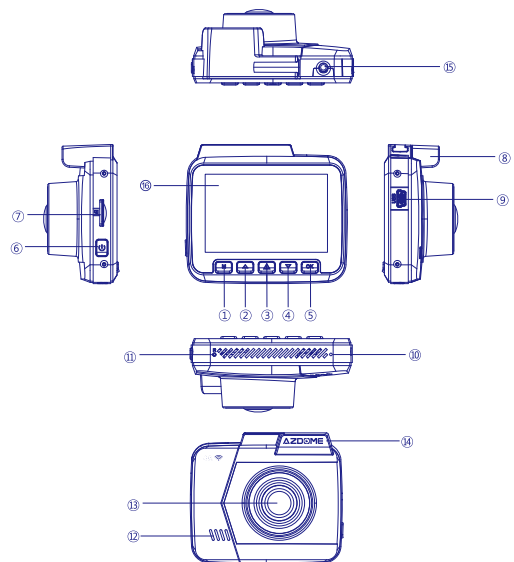
● INDEX

| | |
|-------------------|----|
| 1. English | 02 |
| 2. Français | 11 |
| 3. Deutsch | 20 |
| 4. Italiano | 29 |
| 5. Русский | 38 |
| 6. Español | 48 |
| 7. 日本語 | 59 |

●>> PRODUCT SEPCIFICATI

| | |
|----------------------------|--|
| Product Feature | HD Camera, Super HD Recording |
| LCD Screen Size | 2.4 Inch |
| Lens | 170°A+ Ultra HD Wide Angle |
| Lens Aperture | F1.8 |
| Video Code | H.264, MP4 |
| Video Resolution | 2880x2160 P24 1920x1080 P60 1920x1080 P30 1280x720P120 1280x720 P60 1280x720 P30 FHD P30+VGA P30 |
| Language | English, French, Spanish, Portuguese, Deutsch, Italian, Chinese, Russian, Japanese, Thai, Polish, Vietnamese, Dutch |
| GPS | Built-in GPS Geo-Tagging Support |
| WiFi | Built-in |
| AV IN | Only support installing VGA 4 Pin rear view camera (Optional) |
| Memory Card | Micro SD Card Class 10 or Higher, Max Support 64 GB (Micro SD Card NOT Included – Required for camera operation) |
| G-sensor | Built-in 3-Axis Impact Accelerometer Gravitational Sensor to lock & protect current video. |
| Frequency | 60 Hz, 50 Hz |
| Loop Recording | Support seamless recording |
| Motion detection | Support |
| Parking Mode | Support |
| WDR | Support |
| Year/Month/Day/Hour/Minute | Support |
| Mic / Speaker | Support |
| Auto turn on/off | Support turn on while vehicle starts. And turn off while vehicle shutdowns |
| Mini-USB port | 1.Storage 2.Charging 3.Power on and recording |
| Power Interface | 5V 1.5A |
| Battery | Built-in Li-ion Battery 250mAh |
| Operating Temperature | -20°C to 60°C (-4°F to 140°F) |
| Storage Temperature | -20°C to 70°C (-4°F to 158°F) |
| Working Humidity | 10 ~ 90% |

●>>PRODUCT DIAGRAM



- ①Menu/Mode ②Up ③Emergency Lock ④Down
- ⑤OK/Confirm ⑥Power ⑦MicroSD Slot ⑧Built-In GPS
- ⑨Mini-USB Port ⑩MIC ⑪Reset ⑫Speaker
- ⑬Lens ⑭Holder ⑮AV/IN Port ⑯LCD Screen

◆◆ BUTTONS & INTERFACE INSTRUCTIONS

| Key | Function | Instruction |
|----------------|--|---|
| Power | Power On/Power Off | 1. Power On: Short press Power to turn on and indicator will light up 2. Power Off: Long press Power to turn off and indicator off 3. LCD off: Short press once to turn off LCD screen, RED LED indicator confirms camera is still ON |
| Reset | Reset | When device crashes, shot press here to reboot |
| Menu/Mode (M) | Long Press: Video Mode/ Playback Mode Short Press: System Setting/ Playback Setting | 1. After power on, press OK button to pause recording, long press "M" button to switch Video/Playback Mode 2. On the Video/Playback Mode, short press to enter System Setting/Playback Setting |
| OK | Start/Stop Recording Playback Confirm Setting | 1. On Video Mode: Short press to start/stop recording 2. On Playback Mode: Short press to playback 3. On System Setting: Confirm setting |
| UP | UP Take Photo Audio Recording ON/OFF | 1. On System Setting/Playback Setting: Up 2. On Video Mode: Short press to take photo when start recording 3. On Video Mode: Long press to turns on/off Audio Recording |
| Down | Down Parking mode On/Off Picture in Picture mode shift | 1. On System Setting/Playback Setting: Down 2. On Video Mode long-press: Parking mode On/Off 3. Shift 4 modes of PIP, when connected with rear camera(optional) |
| Emergency Lock | Lock Video WiFi On/Off | 1. On Video Mode, when recording, short press to lock video 2. Long press to turn on/off WiFi |
| Micro SD Slot | Micro SD Card Slot | Insert Micro SD card with the gold contacts facing the LENS |
| Mini-USB Port | Charging USB Storage PC Camera | 1. With Mini-USB long charging cable, you can use it to charge 2. With Mini-USB data cables (not included), you can connect it with computer to view your video files on "Mass Storage" mode or use as a computer camera on "PC Camera" mode |
| AV IN Port | AV IN | Only support installing VGA 4 Pin rear view camera (Optional) |

◆◆ USING YOUR DASHCAM

Tips:

We strongly recommend that please format your memory card before using it at the first time by camera's system settings. Battery is mainly used to save files in emergency. Please always connect Dash Cam to external power while it is in use.

1. Auto Power ON/OFF:

- ① Connect the car charger and Dash Cam by using the charging cable.
- ② Plug the other end of the car charger to your vehicle's cigarette lighter socket.
- ③ When the car engine is started, Dash Cam automatically turns ON and start recording. When the car key is turned to LOCK position, Dash Cam automatically saves the recording and turns OFF within few seconds.

2. Manual Power ON/OFF

- To Manually Turn ON: Press the power button once.
- To Manually Turn OFF: Press and hold the power button for at least 2 seconds.

◆◆ PARKING MODE & MOTION DETECTION INSTRUCTIONS

Tips:

Please understand PARKING MODE and MOTION DETECTION fully before turning ON these features.

PARKING MODE:

1. Do NOT turn ON this feature until you install the camera to your windshield.
2. If PARKING MODE is turned ON while you explore and learn the features of the camera in your hands, the camera will turn ON/OFF and START/STOP recording randomly, as PARKING MODE will keep getting activated every time camera senses the movement by its built in Gyro Sensor (G-Sensor).
3. You would want PARKING MODE turned ON after you install your dash camera to your windshield.
4. You can test and learn how parking mode works, by setting it to ON, then exit the menu settings, and without moving your camera press and hold power button to turn the camera OFF. Now shake the camera... it will turn ON the camera, and if memory card is installed then it will start recording video for 1-min, then save and lock that video and turn OFF the camera automatically.

MOTION DETECTION:

- CAUTION: We do NOT recommend this feature to be turned ON while you are driving and for your daily commute. If you turn ON motion detection while driving around and during your daily commute, then your camera will NOT record videos continuously, and it will have missing video seconds.
1. Motion Detection is designed to be used for surveillance when your car is parked and NOT moving. Usually when you are not inside your car. During your car is parked and you wanted continuous surveillance.
 2. To use motion detection, first make sure you set "AUTO POWER OFF" to OFF under system settings. Now turn ON Motion Detection while your camera is installed on windshield. Now the camera will START recording video when there is motion detected in front of the camera's field of view and it will automatically STOP recording when there is no more motion. To save the battery you can also set "LCD ON/OFF Setting" to either 1, 3 or 5-min for LCD to be turned OFF automatically.

3. We recommend "HARD-WIRE" your dash camera to your car's battery as the internal battery is NOT designed to last more than 8 minutes when fully charged and depending upon video resolution. We recommend to purchase the "Mini-USB Hard Wire Kit" which has protection from dying car's battery. Basically this feature will cut the power to the camera when the battery voltage of your car's starting to run critically low. You can search YouTube "how to connect hard wire with a dash cam" for demonstration videos.

◆> SYSTEM SETTING AND PLAYBACK SETTING

1. Video System Setting

After inserting a TF card and power on, short press OK button to pause recording, and short press M button to enter to System Setting.

| | |
|-------------------|---|
| Resolution | 2880x2160 P24 1920x1080 P60 1920x1080 P30 1280x720 P120 1280x720 P60 1280x720 P30 FHD P30+VGA P30 |
| Language | English, French, Spanish, Portuguese, Deutsch, Italian, Chinese, Russian, Japanese, Thai, Polish, Vietnamese, Dutch |
| Loop recording | Off/3 min/5 min/10 min, default 3 min |
| Audio Recording | On/Off, default On |
| Date Stamp | On/Off, default On |
| GPS Stamp | On/Off, default On |
| GPS Info | Number / Time / Speed / Longitude / Latitude / Direction |
| Speed Unit | KMH/ MPH, default KM/H |
| Exposure | "+2.0""+1.7""+1.3""+1.0""+0.7""+0.3""0.0" "-0.3""-0.7""-1.0""-1.3""-1.7""-2.0" (Default value 0.0) |
| Time Lapse Video | Off/200ms/500ms/1second/2seconds |
| Motion detection | On/Off, default Off |
| Parking Mode | On/Off, default Off |
| WiFi | On/Off, default Off |
| WDR | On/Off, default Off |
| G-sensor | Off/High/Medium/Low, default Medium |
| Beep Sound | On/Off, default On |
| Date/Time | YY/MM/DD, Press M to save |
| Timezone Setting | UTC/GMT+1 to UTC/GMT+12 UTC/GMT-1 to UTC/GMT-12 (Default GMT +8) |
| Auto Power Off | Off/3 min/5 min/10 min, default Off. When stop recording and no operation the camera will turn off automatically. |
| LCD Auto Off | Off/1 min/ 3 min/ 5 min, default 3 min |
| Clock Screensaver | On/Off, default On |
| Frequency | 50HZ/60HZ, default 60HZ |
| Storage Space | Total/Free/Event/Movie/Picture |
| Format | Cancel or OK |
| Default Setting | Cancel or OK |
| Version | M06 V#. # YY/MM/DD |

2. Playback Setting

After inserting a TF card and power on, short press OK button to pause recording, and long press M button to switch to Playback Mode, then short press M to enter Playback Setting.

| | |
|------------|---|
| Delete | Delete Current/ Delete All |
| Protect | Lock Current/Unlock Current/Lock All/Unlock All |
| Slide show | 2s/5s/8s |

◆> WIFI INTRODUCTION

1. DOWNLOADING LuckyCam APP

Search for "LuckyCam" in App Store or Google Play Store to find the App and then download and install it.



Note:

Apple logo & App Store are trademarks of Apple Inc., Google logo and Google Play are trademarks of Google Inc.

2. Connecting AZDOME M06 Dash Cam With Smart Phone:

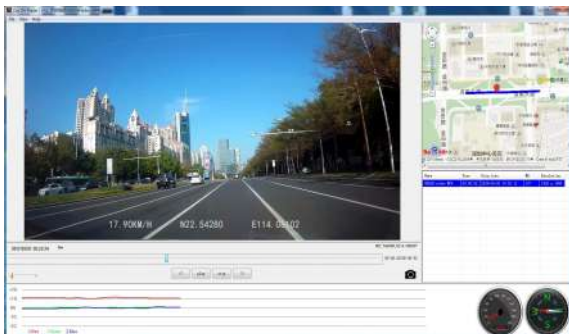
- TURN WIFI ON from AZDOME Dash Cam first, by Pressing & Holding emergency lock button for 2-seconds. This will turn ON WiFi router (signal) from the dash cam.
- CONNECT WIFI from your Smart Phone: Go to Phone's Settings > WiFi > Select M06 Dash Cam's WiFi (WiFi Name SSID: M06_*****, PASSWORD: 12345678).
- Now open LuckyCam App to view live video stream, view/download recorded videos & even change settings.
- When Done: To disconnect WiFi, press and hold "Emergency Lock" button for 2-seconds to return to the video mode.

P.S. (You can only operate it on your phone App when connecting AZDOME M06 Dash Cam with your phone. Make sure your phone is close to AZDOME M06 Dash Cam)

◆> GPS & CAR DV PLAYER INSTALLATION

GPS Player Software Installation and Use Instruction:

- Before viewing your video with GPS trace, Please install Car DV Player from your AZDOME M06 Dash Cam first.
- Please visit www.azdome.hk/downloads.html to download FREE Car DV Player. You can e-mail us to service@azdome.hk
- Click File Menu > Click Open to select the video file, you like to play. You can also drag and drop your video file into the video play area to play the video also.



• If the Google Map can't be normally loaded by GPS Player, please try the following operations:

1. Run GPS Player as the administrator (right click on the Car DV Player, then choose running as the Administrator)
2. Upgrade the Internet Explorer to IE 10 or above
3. If the GPS player still can't work, please contact us at service@azdome.hk

P.S. (Please do NOT use "Windows Media Player" to play this high bit-rate videos. We recommend downloading our free Car DV Player or free VLC Media Player to enjoy stream less high quality videos from your AZDOME Dash Cam.)

FAQ

Q1: Camera does not turn ON?

Please make sure you charge camera for 2 hours before first use. Make sure memory card is inserted properly. Then plug in power cable which should turn on camera and it should start recording.

Q2: My date and time is not staying the same even after I set date and time?

Please go to camera's system settings > Time Zone Setting > Set your correct GMT value > OK to confirm. Now every-time you have GPS signal, you will always have correct date and time.

Q3: Camera turns ON / OFF frequently automatically?

Please reset your camera. Please make sure that "Motion Detection" is set to OFF. Also Please make sure "Auto Power Off" "Parking Mode" is also set to OFF.

Q4: My Video playback on PC is lagging?

You are viewing high-bit rate version of video files. General computer configuration may have problem with faster data processing. Please record videos at lower resolution and try again. Contact us if problem still persists.

Q5: Camera gets HOT?

It is normal for your camera to run slightly hot. Due to the higher video resolution, the dash cam may be hot during using. (no more than 140°F/60°C).

Q6: Video is fuzzy?

Please make sure the lens of camera is clean and there is no dirt on windshield also.

Q7: Camera Freezing/Lagging or Crashing?

Please make sure you are only using class 10 or above Micro SD memory card. Insert paper clip into reset. Restart with another Micro SD card and try again.

Q8: Camera Locks many videos automatically?

Please make sure you increase your G-sensor setting. If you choose higher setting then it can trigger even with smaller bump. This setting depends on type of car or truck you are driving and how much vibration your car/truck is creating based on suspensions and road condition.

Q9: Error/Message "Card Full"?

Format card by going into System Settings > Format > OK > Select Yes > OK. Then Go to System Settings > Loop Recording > Choose either 1-min, 3-min, 5-min. This will allow Loop Recording function to be turn ON and it will keep recording over and over.

Q10: Camera showing "Memory Error" or "Please Insert Micro SD Card" even though memory card is already installed into the camera?

1. Please make sure memory card is at least Class 10, U3 and purchased from trusted vendor such as Walmart, target, best buy, Ship & Sold by Amazon" etc. (there are many fake cards out there Online, remember if it's cheap, its fake.
2. Now go to camera's system settings and FORMAT your memory card. After formatting memory card, please press and hold power button to turn the camera off. Now unplug power cable, and re-plug the power cable, camera should now turn ON automatically and start recording.

DISCLAIMER

The videos/pictures taken by Car DashCam is only for a reference, we don't take any responsibility due to data-loss in the abnormal circumstances. Special version: The device will records files in normal recording status. But in the following situation, it will lead to files to be damaged or lost;

1. If pulling out the TF card in the recording status, final video files will be damaged or lost.
2. If there is illegal blackout in the recording status, final video files will be damaged or lost.
3. If there is a destructive collision in the recording status, video and audio files will be damaged or lost.

4. If there is a destructive collision in the recording status leading to Memory card loose, video and audio files will be damaged or lost.

●>> WARRANTY & CUSTOMER SUPPORT

We provide One (1) full year of limited warranty for your product from the date of purchase to be free from defects in materials and craftsmanship.

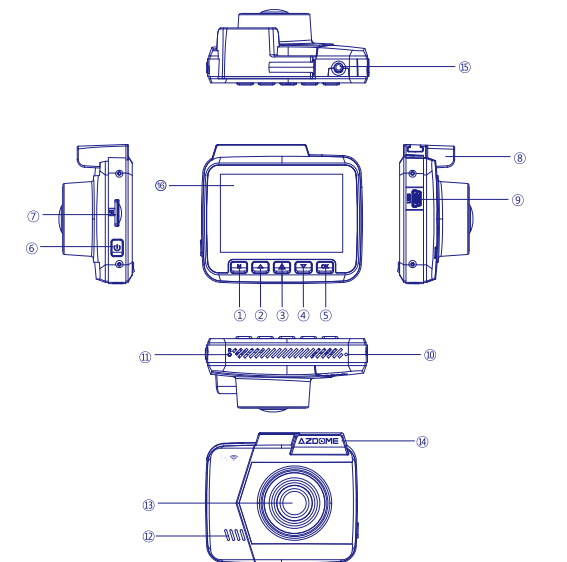
For questions, support, or warranty claims, contact us at service@azdome.hk that corresponds with your region. Please include your online original order number and product model.

IMPORTANT: Proof of original purchase (Online order receipt is also accepted) is required for any warranty service. AZDOME can only provide after sales service for products purchased directly from AZDOME. If you have purchased from a different seller, please contact them directly for service or warranty issues.

●>> SPECIFICATION DE PRODUIT

| | |
|------------------------------|---|
| Caractéristique | HD caméra, Super HD Enregistrement |
| Taille l'écran LCD | 2.4 Inch |
| Lentille | 170°+ Ultra HD Wide Angle |
| Lentille ouverture | F1.8 |
| Code vidéo | H.264, Mp4 |
| Résolution de vidéo | 2880x2160 P241920x1080 P601920x1080 P30 1280x720P1201280x720 P601280x720 P30 FHD P30+VGA P30 |
| Langage | Anglais, français, espagnol, portugais, allemand, italien, chinois, russe, japonais, thaï, polonais, vietnamien, néerlandais |
| GPS | GPS intégrée |
| WiFi | intégrée |
| AV IN | Ne supporte que l'installation de caméra de vue arrière VGA 4 broches (en option). |
| Carte mémoire | Carte Micro SD Class 10 ou supérieure, prise en charge maximale de 64 Go(non incluse) |
| G-capteur | Accéléromètre à impact à 3 axes intégré Gravitationnel Capteur pour verrouiller et protéger la vidéo en cours. |
| Fréquence | 60 Hz, 50 Hz |
| Enregistrement en boucle | Soutenir l'enregistrement sans soudure |
| Détection de mouvement | Support |
| Mode de stationnement | Support |
| WDR | Support |
| Année/Mois/Jour/Heure/Minute | Support |
| Mic/Haut-parleur | Support |
| Auto allumer/éteindre | Support s'allumer lorsque le véhicule démarre. Et éteignez des que le véhicule s'arrête |
| Mini-USB port | 1.Stockage 2.Charge 3.Allumez et enregistrez |
| Interface d'alimentation | 5V 1.5A |
| Batterie | Batterie Li-ion intégrée 250 mAh |
| Température fonctionnement | -20°C to 60°C (-4°F to 140°F) |
| Température de stockage | -20°C to 70°C (-4°F to 158°F) |
| Humidité de travail | 10 ~ 90% |

●DIAGRAM DE PRODUIT



- ① Menu/Mode ② Haut ③ Verrouillage d'urgence ④ Bas
 ⑤ OK/Confirmation ⑥ Puissance ⑦ Micro SD Slot ⑧ GPS intégré
 ⑨ Port mini-USB ⑩ MIC ⑪ Réinitialiser ⑫ Orateur
 ⑬ Lentille ⑭ Support ⑮ Port AV IN ⑯ Ecran LCD

●BOUTONS ET INSTRUCTIONS D'INTERFACE

| Bouton | Function | Instruction |
|------------------------|---|---|
| Puissance | Allumer/éteindre | <ol style="list-style-type: none"> 1. Allumer: appuyez brièvement sur le bouton Puissance et l'indicateur s'allumera 2. Eteindre: appuyez longuement sur le bouton Puissance et l'indicateur éteignera 3. LCD éteint: Appuyez brièvement une fois pour éteindre l'écran LCD, le voyant LED rouge confirme que la caméra est toujours allumée |
| Reinitialiser | Reinitialiser | Lorsque l'appareil se bloque, tirez ici pour redémarrer |
| Menu/Mode (M) | Appuyez longuement: Mode vidéo/mode lecture Appuyez brièvement: Réglage du système/ réglage de lecture | <ol style="list-style-type: none"> 1. Après allumer, appuyez sur le bouton OK pour interrompre l'enregistrement, appuyez longuement sur le bouton "M" pour changer vidéo/lecture mode. 2. En mode Vidéo/Lecture, appuyez brièvement pour accéder aux réglage du système/de lecture. |
| OK | Démarrer/arrêter l'enregistrement Lecture Confirmez réglage | <ol style="list-style-type: none"> 1. En mode vidéo: Appuyez brièvement pour démarrer/arrêter l'enregistrement 2. En mode de lecture: Appuyez brièvement pour aller à la lecture 3. En réglage de système: Confirmer le réglage |
| Haut | Haut Prendre une photo Audio Enregistrement ON/OFF | <ol style="list-style-type: none"> 1. En réglage du système/de lecture: Haut 2. En mode vidéo: Appuyez brièvement pour prendre une photo lorsque l'enregistrement commence 3. En mode vidéo: Appuyez longuement pour activer/désactiver l'enregistrement audio |
| Bas | Bas Mode de stationnement On / Off Mode image dans l'image | <ol style="list-style-type: none"> 1. En réglage du système/de lecture: Bas 2. En mode vidéo: appuyez longuement: mode de stationnement activé/désactivé 3. Convert 4 modes de PIP, lorsqu'il est connecté avec la caméra de recul (en option) |
| Verrouillage d'urgence | Verrouiller la vidéo WiFi On/Off | <ol style="list-style-type: none"> 1. En mode vidéo, lors de l'enregistrement, appuyez brièvement pour verrouiller la vidéo 2. Appuyez longuement pour allumer/éteindre WiFi |
| Micro SD Slot | Micro SD carte Slot | Insérer la carte Micro SD avec des contacts dorés vers lentille |
| Mini-USB Port | Charge USB Stockage Caméra PC | <ol style="list-style-type: none"> 1. Avec le câble long de chargement Mini-USB, vous pouvez l'utiliser pour charger. 2. Avec le mini-USB câble de données (non inclus), vous pouvez le connecter à l'ordinateur pour voir vos fichiers vidéo en mode «Stockage de masse» ou les utiliser en mode «PC Camera» |
| AV IN Port | AV IN | Ne supporte que l'installation de caméra de vue arrière VGA 4 broches (en option) |

► UTILISER VOTRE DASH CAM

Attention: Nous vous recommandons fortement de formater la carte avant d'utiliser les paramètres de l'appareil photo pour première fois. Et La batterie est principalement utilisée pour enregistrer des fichiers en cas d'urgence. Assurez-vous de connecter le Dash Cam à l'alimentation externe lors l'utilisation.

1. Allumer et éteindre automatiquement

1. Connectez le chargeur de voiture et Dash Cam par le câble de charge.
2. Branchez l'autre extrémité du chargeur de voiture sur la prise allume-cigare de votre véhicule.
3. Lorsque le moteur de voiture est démarré, Dash Cam se met automatiquement en marche et commence à enregistrer. Lorsque la voiture est arrêtée, Dash Cam stocker automatiquement l'enregistrement et s'éteint en quelques secondes.

2. Allumer et éteindre manuellement

- Pour allumer manuellement: Appuyez une fois sur le bouton d'alimentation.
- Pour éteindre manuellement: Appuyez sur le bouton d'alimentation et maintenez-le enfoncé pendant au moins 2 secondes.

► INSTRUCTIONS MODE STATIONNEMENT& DETECTION DE MOUVEMENT

Attention: Veuillez comprendre le mode de stationnement et la détection de mouvement avant d'activer ces fonctions.

Mode de stationnement:

1. NE PAS ALLUMER cette fonction tant que vous n'avez pas installé la caméra sur votre pare-brise.
2. Si le mode de stationnement est activé lorsque vous explorez et apprenez les fonctions de dashcam, la caméra de voiture s'allumera/éteignera et démarre/arrête l'enregistrement de manière aléatoire, car le mode de stationnement reste activé chaque fois que la caméra détecte le mouvement par son capteur gyroscopique intégré(G capteur).
3. Vous souhaitez que le mode de stationnement soit activé une fois que vous avez installé votre caméra de tableau de bord sur votre pare-brise.
4. Vous pouvez tester et apprendre comment fonctionner le mode de stationnement en le mettant sur ON, puis quitter les paramètres du menu et sans bouger votre dashcam, maintenez le bouton d'alimentation enfoncé pour éteindre la caméra de voiture. Maintenant secouez la caméra.... Et il allumera l'appareil photo et si la carte mémoire est installée, il commencera à enregistrer la vidéo pendant 1 minute, puis enregistrera et verrouillera cette vidéo et éteindra automatiquement la caméra embarquée.

DETECTION DE MOUVEMENT

ATTENTION:

Nous ne recommandons pas d'activer cette fonction pendant que vous conduisez et pour vos déplacements quotidiens. Si vous activez la détection de mouvement dès que vous conduisez, votre dashcam n'enregistrera pas les vidéos en continu, et les secondes de vidéo seront manquantes.

1. La détection de mouvement est conçue pour être utilisée pour la surveillance lorsque votre voiture est garée et ne bouge pas. Habituellement, lorsque vous n'êtes pas à l'intérieur de votre voiture. Pendant votre voiture est garée et vous voulez une surveillance continue.
2. Pour utiliser la détection de mouvement, assurez-vous d'abord de régler «AUTO ALLUMER ETEINDRE» sur ETEINDRE dans les réglages du système. Activez maintenant la détection de mouvement lorsque votre caméra est installée sur le pare-brise. La caméra de voiture commencera à enregistrer la vidéo quand un mouvement est détecté devant le champ de vision de caméra et il arrêtera automatiquement l'enregistrement quand il n'y a plus de mouvement. Pour sauver la batterie, vous pouvez également régler "Réglage LCD ON/OFF" sur 1, 3 ou 5 minutes pour que l'écran LCD soit automatiquement désactivé.
3. Nous recommandons "HARD-WIRE" votre appareil photo de bord à la batterie de votre voiture, car la batterie interne n'est pas conçue pour durer plus de 8 minutes lorsqu'elle est complètement chargée et ça dépend de la résolution vidéo. Nous vous recommandons d'acheter le «Kit de câblage dur mini-USB» qui est protégé contre la batterie de la voiture mourante. Fondamentalement, cette fonctionnalité coupe l'alimentation de caméra lorsque la tension de la batterie de votre voiture commence à baisser. Vous pouvez rechercher sur YouTube "Comment connecter un câble dur avec caméra devoture" pour les instructions de vidéo.

► REGLAGE DE SYSTEME ET LECTURE

1. Réglage du système vidéo

Après avoir inséré une carte TF et l'allumer, appuyez brièvement sur le bouton OK pour suspendre l'enregistrement et appuyez brièvement sur le bouton M pour accéder au paramètre Système.

| | |
|--------------------------|--|
| Resolution | 2880x2160 P24 1920x1080 P60 1920x1080 P30 1280x720 P120 1280x720 P60 1280x720 P30 FHD P30+VGA P30 |
| Langage | Anglais, français, espagnol, portugais, allemand, italien, chinois, russe, japonais, thaï, polonais, vietnamien, néerlandais |
| Enregistrement en boucle | Off/3 min/5 min/10 min, défaut 3 min |
| Enregistrement audio | On/Off défaut On |
| Date | On/Off défaut On |
| GPS | On/Off défaut On |
| GPS | Nombre/Heure/Vitesse/Longitude/Latitude/Direction |
| Unité de vitesse | KMH/ MPH défaut KM/H |
| Exposition | "+2.0";"+1.7";"+1.3";"+1.0";"+0.7";"+0.3";"0.0" "-0.3";"-0.7";"-1.0";"-1.3";"-1.7";"-2.0" (Défaut 0.0) |
| Vidéo en accéléré | Off/200ms/500ms/1second/2seconds |
| Détection de mouvement | On/Off défaut Off |

| | |
|---------------------------|---|
| Mode de stationnement | On/Off défaut Off |
| WiFi | On/Off défaut Off |
| WDR | On/Off défaut Off |
| G-capteur | Off/High/Medium/Low défaut Medium |
| Bip sonore | On/Off défaut On |
| Date/heure | YY/MM/DD Appuyez sur M pour enregistrer |
| Réglage du fuseau horaire | UTC/GMT+1 to UTC/GMT+12 UTC/GMT-1 to UTC/GMT-12 (Défaut GMT +8) |
| Éteindre automatiquement | Off/3 min/5 min/10 min défaut Off Lorsque arrêter l'enregistrement et aucune opération, la dashcam s'éteindra automatiquement. |
| LCD Off automatiquement | Off/1 min/ 3 min/ 5 min défaut 3 min |
| Économiseur d'horloge | On/Off défaut On |
| Fréquence | 50HZ/60HZ défaut 60Hz |
| Espace de stockage | Total/Gratuit/Événement/Film/Image |
| Format | Annuler ou OK |
| Paramètres par défaut | Annuler ou OK |
| Version | M06 V#.# YY/MM/DD |

2. Recalage de lecture

Après avoir inséré une carte TF et l'allumer, appuyez brièvement sur le bouton OK pour interrompre l'enregistrement et appuyez longuement sur le bouton M pour passer en mode lecture, puis appuyez brièvement sur M pour accéder au réglage de lecture.

| | |
|-----------|---|
| Supprimer | Supprimer actuel/Supprimer tout |
| Protéger | Verrouiller courant/Déverrouiller courant/Verrouiller tout/Débloquer tout |
| Diaporama | 2s/5s/8s |

◆>> INTRODUCTION WIFI

1. TELECHARGER LuckyCam APP

Recherchez "LuckyCam" dans l'App Store ou Google Play Store pour trouver l'application, puis téléchargez-la et installez-la.



Remarquez:

Apple logo&App Store sont des marques de commerce d'Apple Inc.
Google logo et Google Play sont des marques commerciales de Google Inc.

2. Connectez AZDOME M06 Dash Cam avec votre téléphone

• Commencez à activer WIFI ON, en appuyant sur le bouton de verrouillage d'urgence et

maintenez pendant 2 secondes. Cela activera le routeur WiFi (signal) de la caméra de tableau de bord.

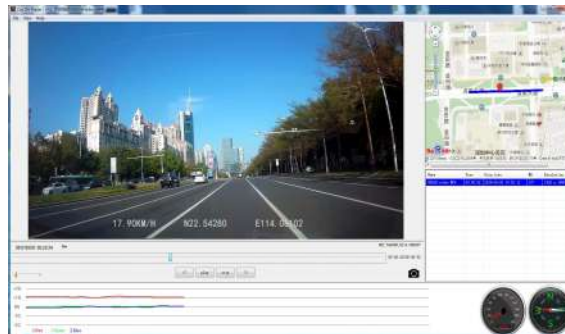
- Connectez WiFi à partir de votre téléphone: Accédez à Paramètres du téléphone> WiFi> Sélectionnez M06 Dash Cam WiFi (Nom WiFi SSID: M06_*****, Mot de passe: 12345678).
- Maintenant ouvrez l'application LuckyCam pour voir le flux vidéo en direct, afficher/télécharger des vidéos enregistrées et même modifier les paramètres.
- Lorsque terminé: Pour déconnecter WiFi, appuyez sur le bouton «verrouillage d'urgence» et maintenez-le enfoncé pendant 2 secondes pour revenir au mode vidéo.

P.S: Vous ne pouvez l'utiliser que sur votre téléphone App lorsque vous connectez l'AZDOME M06 Dash Cam à votre téléphone. Assurez-vous que votre téléphone est proche de la Dash Cam.

◆>> GPS&INSTALLATION DES LECTEURS GPS

Instructions d'installation et d'utilisation du logiciel GPS Player:

- Avant de visionner votre vidéo avec GPS trace, installez d'abord le lecteur DV voiture de votre AZDOME M06 Dash Cam.
- Veuillez visiter www.azdome.hk/downloads.html à télécharger gratuitement le lecteur DV voiture. Et vous pouvez nous contacter par mail service@azdome.hk.
- Cliquez sur le Fichier menu > Cliquez sur ouvrir pour sélectionner le fichier vidéo que vous souhaitez lire. Vous pouvez également faire glisser et déposer votre fichier vidéo dans la zone de lecture vidéo pour lire la vidéo également.



- Si Google Map ne peut pas normalement être chargé par GPS Player, veuillez essayer les opérations suivantes:
1. Exécutez le lecteur GPS en tant qu'administrateur (cliquez avec le bouton droit sur le lecteur

- Car DV, puis choisissez de fonctionner en tant qu'administrateur)
2. Mettre à niveau Internet Explorer vers IE 10 ou supérieur
 3. Si le lecteur GPS ne peut toujours pas fonctionner, veuillez nous contacter par mail service@azdome.hk

P.S: Merci de ne pas utiliser «Windows Media Player» pour visionner ces vidéos à haut débit. Nous vous recommandons de télécharger Car DV Player ou VLC Media Player gratuitement pour profiter de vidéos de moins haute qualité sur votre Dash Cam.

●» FAQ

Q1: La dashcam ne s'allume pas?

Assurez-vous de charger l'appareil photo pendant 2 heures avant la première utilisation. Assurez-vous que la carte mémoire est correctement insérée. Ensuite, branchez le câble d'alimentation qui devrait allumer la dashcam et l'enregistrement devrait commencer.

Q2: Ma date et mon heure ne sont pas identiques même après avoir réinitialiser la date et l'heure?

Accédez aux paramètres système de la dash cam > Réglage du fuseau horaire> Définissez votre valeur GMT correcte> OK pour confirmer. Maintenant, chaque fois que vous avez un signal GPS, vous aurez toujours la date et l'heure correctes.

Q3: La dash cam est activé/désactivé fréquemment automatiquement?

Veuillez réinitialiser votre dash cam. Veuillez assurer que "Détection de mouvement" est OFF. Veuillez également assurer que "éteindre automatiquement" "mode de stationnement" est également OFF.

Q4: La lecture vidéo sur PC est en retard?

Vous visualisez une version des fichiers vidéo à haut débit. La configuration générale de l'ordinateur peut poser problème avec un traitement plus rapide des données. Veuillez enregistrer des vidéos à une résolution inférieure et réessayer. Contactez-nous si le problème persiste.

Q5: L'appareil photo est-il chaud?

Il est normal que votre dashcam chauffe légèrement. En raison de résolution vidéo supérieure, la caméra de tableau de bord peut chauffer pendant l'utilisation. (pas plus de 140°F/ 60°C).

Q6: La vidéo est floue?

Assurez-vous que l'objectif de la dashcam est propre et qu'il n'y a pas de saleté sur le pare-brise également.

Q7: Gel de la dash caméra/retard ou écrasement?

Assurez que vous utilisez une carte Micro SD de classe 10 ou supérieure. Insérez un trombone dans la réinitialisation. Redémarrez avec une autre carte Micro SD et réessayez.

Q8: Caméra verrouille de nombreuses vidéos automatiquement?

Assurez-vous d'augmenter le réglage de G-captur. Si vous choisissez un réglage plus élevé, cela peut déclencher même avec une bosse plus petite. Ce paramètre dépend du type de voiture ou camion que vous conduisez et de la quantité de vibration créée par votre voiture/camion en fonction des suspensions et de l'état de la route.

Q9: Erreur/Message "Carte pleine"?

Formatez la carte en allant dans Paramètres de système> Format> OK> Sélectionnez Oui> OK. Ensuite, allez à Paramètres de système> Enregistrement en boucle> Choisissez 1 minute, 3 minutes, 5 minutes. Cela permettra d'activer la fonction d'enregistrement en boucle et de continuer à enregistrer.

Q10: La dashcam montrant "Erreur de mémoire" ou "Veuillez insérer une carte Micro SD" même si la carte mémoire est déjà installée dans l'appareil photo?

1. Assurez-vous que la carte mémoire est au moins de classe 10, U3 et achetée auprès d'un fournisseur de confiance tel que Walmart, meilleur achat, expédié et vendu par Amazon, etc.(Il existe de nombreuses fausses cartes en ligne, souvenez-vous si elles sont bon marché, c'est faux.)

2. Allez maintenant aux réglages du système de la dashcam et formater votre carte mémoire. Après avoir formaté la carte mémoire, maintenez le bouton d'alimentation enfoncé pour éteindre la dash caméra. Débranchez maintenant le câble d'alimentation et rebranchez le câble d'alimentation. La caméra devrait maintenant s'allumer automatiquement et commencer à enregistrer.

●» AVERTISSEMENT

Les vidéos/photos prises par Dashcam sont uniquement pour référence, nous ne prenons aucune responsabilité en raison de la perte de données dans les circonstances anormales. Version spéciale: L'appareil enregistre les fichiers en statut d'enregistrement normal. Mais dans la situation suivante, des fichiers seront endommagés ou perdus.

1. Si vous retirez la carte TF en état d'enregistrement, les fichiers vidéo finaux seront endommagés ou perdus.
2. S'il y a une panne d'électricité illégale dans l'état d'enregistrement, les fichiers vidéo finaux seront endommagés ou perdus.
3. S'il y a une collision destructive dans l'état d'enregistrement, les fichiers vidéo et audio seront endommagés ou perdus.
4. S'il y a une collision destructive dans l'état d'enregistrement menant à la carte mémoire lâche, les fichiers vidéo et audio seront endommagés ou perdus.

●» GARANTIE&SERVICE A CLIENTÈLE

Nous fournissons une année complète de garantie limitée pour votre produit, à partir de la date d'achat soit exempt de défauts de matériaux et de fabrication.

Pour toute question, assistance ou demande de garantie, contactez-nous à l'adresse service@azdome.hk qui correspond à votre région. Veuillez donner votre numéro de commande original en ligne et votre modèle de produit.

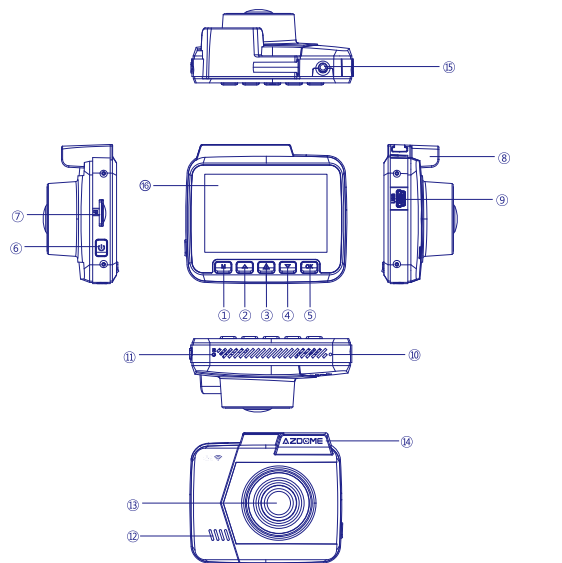
IMPORTANT:

Une preuve d'achat originale (la commande en ligne est également accepté) est requis pour tout service de garantie. AZDOME ne peut fournir un service après-vente que pour les produits achetés directement auprès de AZDOME. Si vous avez acheté chez un autre vendeur, veuillez les contacter directement pour les problèmes de service ou de garantie.

TECHNISCHE DATEN

| | |
|--------------------------------------|---|
| Produkteigenschaft | HD-Kamera, Super HD-Aufnahme |
| G-sensor | Built-in (um die Datei im Notfall zu speichern, und die kann nicht gelöscht werden, wenn die Kollision von Fahrzeugen passiert) |
| LCD-Größe | 2,4-Zoll-LCD-Bildschirm |
| Linse | 170 Grad A + HD ultra Weitwinkel |
| Fotoauflösung | VGA/1.3M/2MHD/3M/5M/8M/10M/12M |
| Video Auflösung | 400 M |
| Aperture | F=1.8 |
| Sprache | English/Simplified Chinese etc. |
| Video Auflösung | 2880x2160 P24/1920x1080 P60/1920x1080 P30/ 1280x720 P120/1280x720 P60/1280x720 P30 |
| Video Code | H.264, MP4 |
| Farbe | Farbe / Schwarz & Weiß / Sepia |
| Loop Aufnahme | Unterstützen Sie die nahtlose Aufnahme |
| Auto ein- / ausschalten | Automatisch einschalten, während das Fahrzeug startet. Und während Fahrzeug ein / aus ausschalten, wenn das Fahrzeug abgeschaltet ist |
| Bewegungs erkenntung | Unterstützt |
| Jahr / Monat / Tag / Stunde / Minute | Unterstützt |
| Fotoformat | JPG |
| Speicherkarte | TF-Karte, Klasse 10 oder höher, Max unterstützt 64 GB |
| MIC | Unterstützt |
| Redner | Unterstützt |
| GPS | Built in |
| USB port | 1: Speicher 2: Laden 3. Einschalten und aufzeichnen |
| Stromschnittstelle | 5V 1.5A |
| Battery | Built-in Li-ion Battery |
| Parking Mode | Unterstützt |
| Arbeitstemperatur | -20°C to 60°C |

PRODUKTÜBERSICHT



- ① Menü / Modus ② Up ③ Notfallschloss ④ Down
- ⑤ OK / Bestätigen ⑥ Power ⑦ Micro SD Slot ⑧ Eingebautes GPS
- ⑨ Mini-USB-Anschluss ⑩ MIC ⑪ Reseent ⑫ Lautsprecher
- ⑬ Linse ⑭ Halter ⑮ AVIN Port ⑯ LCD Bildschirm

► TASTEN & SCHNITTANWEISUNGEN

| Key | Function | Instruction |
|------------------|---|---|
| Power | Power On/Power Off | <ol style="list-style-type: none"> 1. Einschalten: Kurz drücken um einzuschalten und die LED Anzeige leuchtet 2. Ausschalten: Drücken Sie lange die Taste um das Gerät auszuschalten und die Anzeige wird aus. 3. LCD aus: Kurz drücken um den LCD-Bildschirm auszuschalten, ROTE LED-Anzeige leuchtet, dass die Kamera noch ein ist |
| Reseten | Reseten | Wenn das Gerät abstürzt, drücken Sie hier, um neu zu starten |
| Menü / Modus (M) | Langer Druck: Videomodus / Wiedergabemodus Kurzer Druck: Systemeinstellung/Wiedergabeeinstellung | <ol style="list-style-type: none"> 1. Drücken Sie nach dem Einschalten die OK-Taste, um die Aufnahme anzubeden. Drücken Sie lange die Taste "M", um den Video- / Wiedergabemodus zu wechseln 2. Im Video- / Wiedergabemodus kurz drücken, um die Systemeinstellung / Wiedergabeeinstellung aufzurufen |
| OK | Aufnahme starten / stoppen Wiedergabe Bestätigen Sie die Einstellung | <ol style="list-style-type: none"> 1. Im Videomodus: Kurz drücken um die Aufnahme zu starten / stoppen. 2. Im Wiedergabemodus: Kurz drücken um die Wiedergabe zu starten 3. Bei Systemeinstellung: Einstellung bestätigen |
| UP | UP Foto machen Audioaufnahme EIN / AUS | <ol style="list-style-type: none"> 1. Systemeinstellung / Wiedergabeeinstellung: Hoch 2. Im Videomodus: Drücken Sie kurz, um ein Foto aufzunehmen, wenn Sie mit der Aufnahme beginnen 3. Im Videomodus: Drücken Sie lange, um die Audioaufnahme ein- / auszuschalten |
| Down | DOWN Parkmodus Ein / Aus Bild-in-Bild-Modus-Verschiebung | <ol style="list-style-type: none"> 1. Systemeinstellung / Wiedergabeeinstellung: DOWN 2. Im Videomodus lange drücken: Parkmodus Ein / Aus 3. Schalten Sie 4 Modi von PIP, wenn mit der hinteren Kamera verbunden (optional) |
| Notfallschloss | Video sperren WiFi ein / aus | <ol style="list-style-type: none"> 1. Im Videomodus, während der Aufnahme kurz drücken, um das Video zu sperren 2. Lange drücken, um WiFi ein- / auszuschalten |
| Micro SD Slot | Micro SD Card Slot | Stecken Sie die Micro SD-Karte mit den Goldkontakten in Richtung LENS ein |

| | | |
|---------------|------------------------------------|--|
| Mini-USB Port | Aufladen USB Speicher PC-Kamera | <ol style="list-style-type: none"> 1. Mit Mini-USB langes Ladekabel können Sie es zum Aufladen verwenden 2. Mit Mini-USB-Datenkabeln (nicht im Lieferumfang enthalten) können Sie es mit einem Computer verbinden, um Ihre Videodateien im "Massenspeicher" -Modus anzuzeigen oder als Computerkamera im "PC-Kamera" -Modus zu verwenden |
| AV IN Port | AV IN | Unterstützt nur die Installation der VGA 4 Pin Rückfahrkamera (optional) |

► VERWENDEN SIE IHRE DASH CAM

Tipps: Wir empfehlen dringend, dass Sie Ihre Speicherkarte formatieren, bevor Sie sie zum ersten Mal mit den Systemeinstellungen der Kamera verwenden. Die Batterie wird hauptsächlich zum Speichern von Dateien im Notfall verwendet. Bitte verbinden Sie die Dash Cam immer mit der externen Stromversorgung, während sie benutzt wird.

1. Auto Power ON / OFF:

①Verbinden Sie das Autoladegerät und die Dash Cam mit dem Ladekabel.

②Schließen Sie das andere Ende des Autoladegeräts an die Zigarettenanzünderbuchse Ihres Fahrzeugs an.

③Wenn der Automotor gestartet wird, schaltet sich die Dash Cam automatisch ein und beginnt mit der Aufnahme. Wenn der Autoschlüssel in die Position LOCK gedreht wird, speichert die Dash Cam automatisch die Aufnahme und schaltet sich innerhalb weniger Sekunden aus.

2. Manuelles Einschalten / Ausschalten

• Zum manuellen Einschalten: Drücken Sie einmal den Netzschalter.

• So schalten Sie manuell aus: Halten Sie den Netzschalter mindestens 2 Sekunden lang gedrückt.

► PARKMODUS & BEWEGUNGSANWEISUNG

Tipps: Bitte beachten Sie PARKING MODE und MOTION DETECTION vollständig, bevor Sie diese Funktionen aktivieren.

PARKMODUS:

1. Schalten Sie diese Funktion NICHT ein, bevor Sie die Kamera an der Windschutzscheibe installiert haben.

2. Wenn der PARKMODUS eingeschaltet ist, während Sie die Funktionen der Kamera in Ihren Händen erkunden und erlernen, schaltet sich die Kamera EIN / AUS und START / STOP-Aufnahme aus, da der PARKMODUS immer dann aktiviert wird, wenn die Kamera die Bewegung erkennt (wegen eingebauter Gyro-Sensor (G-Sensor)).

3. Sie möchten den PARKMODUS einschalten, nachdem Sie Ihre Dash-Kamera an der Windschutzscheibe installiert haben.

4. Sie können testen und lernen, wie der Parkmodus funktioniert, indem Sie ihn auf EIN stellen und dann die Menüeinstellungen verlassen. Drücken Sie den Netzschalter, und halten Sie den Netzschalter gedrückt, um die Kamera auszuschalten, ohne die Kamera zu bewegen. Jetzt schüttle die Kamera Die Kamera wird eingeschaltet, und wenn eine Speicherkarte installiert ist, beginnt die Videoaufnahme für 1 Minute. Speichern und sperren Sie dann das Video und schalten Sie die Kamera automatisch aus.

BEWEGUNGSERKENNUNG:

ACHTUNG: Wir empfehlen, diese Funktion NICHT während der Fahrt und während der täglichen Fahrt einzuschalten. Wenn Sie die Bewegungserkennung während der Fahrt und während der täglichen Fahrt aktivieren, nimmt die Kamera KEINE Videos kontinuierlich auf und es fehlen Video-Sekunden.

1. Die Bewegungserkennung wurde für die Überwachung entwickelt, wenn Ihr Auto geparkt ist und sich NICHT bewegt. Normalerweise, wenn Sie nicht in Ihrem Auto sind. Während Ihr Auto geparkt ist und Sie eine ständige Überwachung wünschen.

2. Um Bewegungserkennung zu verwenden, stellen Sie zuerst sicher, dass Sie "AUTO POWER OFF" in den Systemeinstellungen auf OFF stellen. Aktivieren Sie jetzt die Bewegungserkennung, während Ihre Kamera auf der Windschutzscheibe installiert ist. Jetzt beginnt die Kamera mit der Aufnahme von Videos, wenn vor dem Sichtfeld der Kamera eine Bewegung erkannt wird, und stoppt automatisch die Aufnahme, wenn keine Bewegung mehr stattfindet. Um die Batterie zu schonen, können Sie auch "LCD ON / OFF Setting" auf 1, 3 oder 5 Minuten einstellen, damit das LCD automatisch ausgeschaltet wird.

3. Wir empfehlen "HARD-WIRE" Ihre Dash-Kamera an die Autobatterie, da die interne Batterie NICHT für mehr als 8 Minuten ausgelegt ist, wenn sie vollständig geladen ist und abhängig von der Videoauflösung. Wir empfehlen den Kauf eines "Mini-USB Hard Wire Kit", das vor dem Auslaufen der Autobatterie geschützt ist. Im Grunde wird diese Funktion die Stromversorgung der Kamera unterbrechen, wenn die Batteriespannung Ihres Autos kritisch wird. Sie können nach YouTube suchen, "wie man eine feste Verbindung mit einer Dash-Kamera verbindet" für Demonstrationsvideos.

●>> SYSTEMEINSTELLUNG ADN WIEDERGABEEINSTELLUNG

1. Video Systemeinstellung

Nach dem Einlegen einer TF-Karte und dem Einschalten drücken Sie kurz die OK-Taste, um die Aufnahme anzuhalten, und drücken Sie kurz die Taste M, um in Systemeinstellung zu gehen

| | |
|----------------|--|
| Auflösung | 2880x2160 P24 1920x1080 P60 1920x1080 P30 1280x720 P120 1280x720 P60 1280x720 P30 FHD P30+VGA P30 |
| Sprache | Englisch, Französisch, Spanisch, Portugiesisch, Deutsch, Italienisch, Chinesisch, Russisch, Japanisch, Thailändisch, Polnisch, Vietnamesisch, Niederländisch |
| Loop Aufnahme | Aus / 3 min / 5 min / 10 min, Standard 3 min |
| Audio Aufnahme | Ein / Aus, Standard Ein |
| Date Stamp | Ein / Aus, Standard Ein |
| GPS Stamp | Ein / Aus, Standard Ein |
| GPS Info | Nummer / Zeit / Geschwindigkeit / Längengrad / Breitengrad / Richtung |

| | |
|---------------------------|---|
| Geschwindigkeits-einheit | KMH/ MPH, Standard KM/H |
| Exposition | +2,0, +1,7, +1,3, +1,0, +0,7, +0,3, 0,0 "-0,3", "-0,7", "-1,0", "-1,3", "-1,7", "-2,0" (Standardwert 0,0) |
| Zeitraffer Video | Aus / 200ms / 500ms / 1 Sekunde / 2 Sekunden |
| Bewegungserkennung | Ein / Aus, Standard Ein |
| Parking Mode | Ein / Aus, Standard Ein |
| WiFi | Ein / Aus, Standard Ein |
| WDR | Ein / Aus, Standard Ein |
| G-sensor | Aus / Hoch / Mittel / Niedrig, Standard Mittel |
| Piepton | Ein / Aus, Standard Ein |
| Date/Time | YY/MM/DD, Press M to save |
| Timezone Setting | UTC/GMT+1 to UTC/GMT+12 UTC/GMT-1 to UTC/GMT-12 (Default GMT +8) |
| Automatische aisschaltung | Aus / 3 Min. / 5 Min. / 10 Min., Standard Aus Wenn die Aufnahme gestoppt wird und keine Bedienung erfolgt, schaltet sich die Kamera automatisch aus. |
| LCD Auto Off | Aus / 1 min / 3 min / 5 min, Standard 3 min |
| Uhr Bildschirm-schutz | Ein / Aus, Standard Ein |
| Frequenz | 50HZ/60HZ, Standard 60Hz |
| Lagererraum | Insgesamt / Frei / Ereignis / Film / Bild |
| Formatieren | Abbrechen oder OK |
| Standard Einstellung | Abbrechen oder OK |
| Ausführung | M06 V#.# YY/MM/DD |

2.Wiedergabeeinstellung

Nachdem Sie eine TF-Karte eingelegt und eingeschaltet haben, drücken Sie kurz die OK-Taste, um die Aufnahme anzuhalten, und drücken Sie lange auf die M-Taste, um in den Wiedergabemodus zu wechseln. Drücken Sie dann kurz M, um die Wiedergabeeinstellungen aufzurufen.

| | |
|----------|---|
| Löschen | Aktuelle löschen / Alle löschen |
| Schützen | Aktuelle Datei sperren / Aktuelle Datei entsperren / Alle sperren / Alle entsperren |
| Diashow | 2s/5s/8s |

●>> WIFI EINFÜHRUNG

1. LuckyCam APP DOWNLOADEN

Suchen Sie im App Store oder Google Play Store nach "LuckyCam", um die App zu finden, und laden Sie sie dann herunter und installieren.



Apple Logo und App Store sind Marken von Apple Inc.,
Google-Logo und Google Play sind Marken von Google Inc.

2. Verbinden AZDOME M06 Dash Cam mit Smartphone:

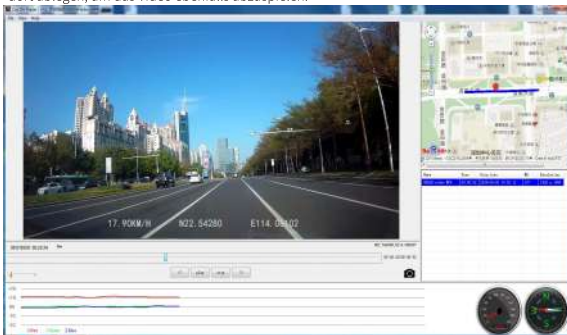
- Schalten Sie zuerst WIFI ON von der AZDOME Dash Cam ein, indem Sie die Notruf Taste 2 Sekunden gedrückt halten. Dadurch wird der WLAN-Router (Signal) von der Dash-Kamera eingeschaltet.
- VERBINDEN SIE WIFI von Ihrem Smartphone: Gehen Sie zu Telefoneinstellungen-> WLAN-> Wählen Sie M06 Dash Cam "WIFI (WIFI Name SSID: M06_*****", PASSWORT: 12345678).
- Öffne jetzt die LuckyCam App, um den Live-VideoStream anzusehen, aufgezeichnete Videos anzusehen / herunterzuladen und sogar Einstellungen zu ändern.
- Wenn Sie fertig sind: Um WiFi zu trennen, drücken und halten Sie die "Emergency Lock" -Taste für 2 Sekunden, um zum Videomodus zurückzukehren.

P.S. (Sie können es nur mit Ihrer Telefon-App bedienen, wenn Sie die AZDOME M06 Dash Cam mit Ihrem Telefon verbinden. Vergewissern Sie sich, dass sich Ihr Telefon in der Nähe der AZDOME M06 Dash Cam befindet)

GPS- und CAR-DV-PLAYER-INSTALLATION

GPS Player Software Installations- und Bedienungsanleitung:

- Bevor Sie Ihr Video mit GPS-Trace ansehen, installieren Sie zuerst den Car DV Player von Ihrer AZDOME M06 Dash Cam.
- Bitte besuchen Sie www.azdome.hk/downloads.html, um den KOSTENLOSEN Auto-DV-Player herunterzuladen. Sie können uns eine E-Mail an service@azdome.hk senden
- Klicken Sie auf Datei> Klicken Sie auf Öffnen, um die Videodatei auszuwählen, die Sie abspielen möchten. Sie können Ihre Videodatei auch in den Video-Play-Bereich ziehen und dort ablegen, um das Video ebenfalls abzuspielen.



• Wenn Google Maps nicht normal vom GPS-Player geladen werden kann, versuchen Sie Folgendes:

1. Führen Sie den GPS-Player als Administrator aus (Klicken Sie mit der rechten Maustaste auf den Auto-DV-Player und wählen Sie Ausführen als Administrator)
2. Aktualisieren Sie den Internet Explorer auf IE 10 oder höher
3. Wenn der GPS-Player immer noch nicht funktioniert, kontaktieren Sie uns bitte unter service@azdome.hk

P.S. (Bitte verwenden Sie "Windows Media Player" NICHT, um diese Videos mit hoher Bitrate abzuspielen. Wir empfehlen Ihnen, unseren kostenlosen Car DV Player oder den kostenlosen VLC Media Player herunterzuladen, um Videos in hoher Qualität von Ihrer AZDOME Dash Cam zu genießen.)

FAQ

Q1: Kamera schaltet sich nicht ein?

Bitte stellen Sie sicher, dass Sie die Kamera vor dem ersten Gebrauch für 2 Stunden aufladen. Stellen Sie sicher, dass die Speicherkarte richtig eingelegt ist. Schließen Sie dann das Netzkabel an, das die Kamera einschaltet und mit der Aufnahme beginnen sollte.

Q2: Mein Datum und meine Zeit bleiben nicht gleich, auch wenn ich Datum und Uhrzeit eingestellt habe?

Bitte gehen Sie zu den Systemeinstellungen der Kamera> Zeitzoneinstellung-> Stellen Sie Ihren korrekten GMT-Wert ein-> Bestätigen Sie mit OK. Jedes Mal, wenn Sie ein GPS-Signal haben, haben Sie immer das richtige Datum und die richtige Uhrzeit.

Q3: Kamera schaltet häufig automatisch ein / aus?

Bitte setze deine Kamera zurück. Bitte stellen Sie sicher, dass "Motion Detection" auf OFF gestellt ist. Bitte stellen Sie auch sicher, dass "Auto Power Off" "Parking Mode" ebenfalls auf OFF gestellt ist.

Q4: Meine Video-Wiedergabe auf dem PC ist verzögert?

Sie sehen eine High-Bit-Rate-Version von Videodateien. Allgemeine Computerkonfiguration kann Probleme mit schneller Datenverarbeitung haben. Bitte nehmen Sie Videos mit geringerer Auflösung auf und versuchen Sie es erneut. Kontaktieren Sie uns, wenn das Problem weiterhin besteht.

Q5: Kamera wird heiß?

Es ist normal, dass Ihre Kamera etwas heiß läuft. Aufgrund der höheren Videoauflösung kann der Dash-Cam während der Verwendung heiß sein. (nicht mehr als 60 ° C).

Q6: Video ist unscharf?

Bitte vergewissern Sie sich, dass das Objektiv der Kamera sauber ist und dass die Windschutzscheibe nicht verschmutzt ist.

Q7: Kamera Einfrieren / Lagging oder Absturz?

Bitte stellen Sie sicher, dass Sie nur die Micro SD-Speicherkarte der Klasse 10 oder höher verwenden. Legen Sie die Büroklammer in den Reset ein. Starten Sie mit einer anderen Micro SD-Karte neu und versuchen Sie es erneut.

Q8: Kamera Sperrt viele Videos automatisch?

Bitte stellen Sie sicher, dass Sie Ihre G-Sensor-Einstellung erhöhen. Wenn Sie eine höhere

Einstellung wählen, kann es auch bei kleineren Unebenheiten ausgelöst werden. Diese Einstellung hängt von der Art des Autos oder Lastwagens ab, den Sie fahren, und davon, wie viel Vibrationen Ihr Fahrzeug aufgrund von Aufhängungen und Straßenbedingungen erzeugt.

Q9: Fehler / Nachricht "Karte voll"?

Formatieren Sie die Karte unter Systemeinstellungen> Format> OK> Wählen Sie Ja> OK. Dann gehen Sie zu Systemeinstellungen> Loop Recording> Wählen Sie entweder 1-min, 3-min, 5-min. Dadurch wird die Loop Recording-Funktion aktiviert und die Aufnahme wird fortgesetzt.

Q10: Kamera zeigt "Memory Error" oder "Bitte Micro SD Card einlegen", obwohl die Speicherkarte bereits in der Kamera installiert ist?

1. Bitte stellen Sie sicher, Speicherkarte ist mindestens Class 10, U3 und von vertrauenswürdigen Anbieter wie Walmart, Ziel, beste kaufen, Ship & Sold von Amazon gekauft "etc. (es gibt viele gefälschte Karten da draußen Online, denken Sie daran, wenn es billig ist, Es ist eine Fälschung.
2. Gehen Sie nun zu den Systemeinstellungen der Kamera und FORMATIEREN Sie Ihre Speicherkarte. Nachdem Sie die Speicherkarte formatiert haben, drücken und halten Sie die Ein / Aus-Taste, um die Kamera auszuschalten. Ziehen Sie jetzt das Netzkabel aus der Steckdose und stecken Sie das Netzkabel wieder ein. Die Kamera sollte sich nun automatisch einschalten und mit der Aufnahme beginnen.

HAFTUNGSAUSSCHLUSS

Die Videos / Bilder, die von Car DashCam aufgenommen wurden, dienen nur als Referenz, wir übernehmen keine Verantwortung aufgrund von Datenverlust in den abnormalen Umständen. Spezielle Version: Das Gerät zeichnet Dateien im normalen Aufnahmestatus auf. In der folgenden Situation führt dies jedoch dazu, dass Dateien beschädigt oder verloren gehen.

1. Wenn Sie die TF-Karte im Aufnahmestatus herausziehen, werden die endgültigen Videodateien beschädigt oder gehen verloren.
2. Wenn ein illegaler Blackout im Aufnahmestatus vorliegt, werden die endgültigen Videodateien beschädigt oder gehen verloren.
3. Wenn im Aufzeichnungsstatus eine zerstörende Kollision auftritt, werden Video- und Audiodateien beschädigt oder gehen verloren.
4. Wenn im Aufnahmestatus eine zerstörerische Kollision auftritt, die zu einer lockeren Speicherkarte führt, werden Video- und Audiodateien beschädigt oder gehen verloren.

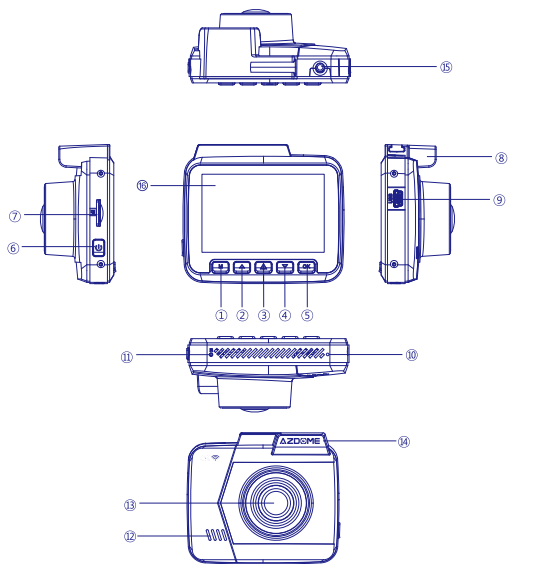
GARANTIE UND KUNDENSUPPORT

Wir bieten ein (1) vollständiges Jahr eingeschränkter Garantie für Ihr Produkt ab dem Datum des Kaufs, um frei von Material- und Herstellungsfehlern zu sein. Für Fragen, Support oder Garantiesprüche kontaktieren Sie uns unter service@azdome.hk, das Ihrer Region entspricht. Bitte geben Sie Ihre Online-Bestellnummer und das Produktmodell an.WICHTIG: Der Nachweis des Originalkaufs (Online-Kaufbeleg wird ebenfalls akzeptiert) ist für jeden Garantieservice erforderlich. AZDOME kann nur After-Sales-Service für Produkte anbieten, die direkt von AZDOME gekauft wurden.

SPECIFICHE DEL PRODOTTO

| | |
|------------------------------|--|
| Caratteristiche del Prodotto | HD Camera, Super HD Registrazione 4K |
| Schermo LCD | 2.4 Inch |
| Lente angolare | 170°A+ Ultra HD Wide Angle |
| Apertura | F1.8 |
| Formato Video | H.264, MP4 |
| Risoluzione di Video | 2880x2160 P24/1920x1080 P60/1920x1080 P30/ 1280x720 P120/1280x720 P60/1280x720 P30 |
| Lingua | Inglese, Francese, Spagnolo, Portoghese, Tedesco, Italiano, Cinese, Russo, Giapponese, Thaiandese, Polacco, Vietnamita, Olandese |
| GPS | GPS Integrato/ Tragitto Geografico |
| WiFi | Integrato |
| AV IN | Supporta solo la telecamere retromarcia a VGA e 4 PIN |
| Memory Card | MicroSD, Classe 10 o superiore, capacità massima 64GB (NON Include) |
| G-sensor | 3-Axis Impact Accelerometer Gravitational Integrato Sensor per Proteggere & Salvare il video di recente |
| Frequenza | 60 Hz, 50 Hz |
| Registrazione in Loop | Supporta Registrazione Circolare/ Seamless |
| Monitor di Movimenti | Supporta |
| Modalità di Parcheggio | Supporta |
| WDR | Supporta |
| Anno/Mese/Giorno/Ora /Minuto | Supporta |
| Mic / Altoparlante | Supporta |
| Accendere/ Spegnere | Supporta/ Si accenderà automaticamente quando avvia il motore |
| Automaticamente | dell' auto. Si spegnerà mentre i veicoli si spengono |
| Porta di Ricarica | Mini-USB |
| Alimentazione | 5V 1.5A |
| Batteria | Li-ion Batteria 250mAh |
| Temperatura d' esercizio | -20°C to 60°C (-4°F to 140°F) |
| Temperatura di | -20°C to 70°C (-4°F to 158°F) |
| Consevasione | |
| Umidità d' esercizio | 10 ~ 90% |

ILLUSTRAZIONE DEL PRODOTTO



- ① Menu ② Sù ③ Serratura di Emergenza ④ Giù
- ⑤ OK ⑥ Power ⑦ Slot di Micro SD ⑧ GPS Integrato
- ⑨ Porta Mini-USB ⑩ MIC ⑪ Reset ⑫ Altoparlante
- ⑬ Lente ⑭ Holder ⑮ Porta AV-IN ⑯ Schermo LCD

PULSANTI & ISTRUZIONI INTERFACCIA

| Tasto | Funzioni | Istruzioni |
|------------------------|---|--|
| Power | Accensione e spegnimento | 1. Accensione: Premere brevemente quando spento e l' indicatore si illuminerà 2. Spegnimento: Premere a lungo quando acceso e l' indicatore si spegnerà 3. LCD off: Premere brevemente una volta per spegnere lo schermo LCD, l'indicatore LED ROSSO significa che la fotocamera è ancora accesa |
| Reset | Reset | Nel caso in cui l' apparato dovesse crashare, inserisci un ago nel foro per premere il pulsante di reset interno, in modo da resettarlo |
| Menù (M) | Premere a lungo: Modalità di Video/ Modalità di Riproduzione Premere a breve: Impostazioni delle funzioni Iniziare/ Mettere in pausa la registrazione/Riproduzione Confermare le opzioni selezionate | 1. Appena acceso, premere il tasto OK per mettere la pausa la registrazione, premere a lungo il tasto "M" per cambiare la modalità Video / Riproduzione 2. Nella modalità di Video/ Riproduzione, premere a breve per impostare le funzioni 1. Nella modalità video, una breve pressione del tasto [OK] inizierà/interromperà la registrazione; 2. Nella modalità di riproduzione: Premere a breve per riprodurre il video 3. Nell' interfaccia del menù, una breve pressione del tasto [OK] confermerà le opzioni selezionate |
| OK | | |
| Sù | Sù Scattare la foto Registrazione Audio ON/OFF | 1. Nell' interfaccia del menù e la riproduzione: Sù 2. Nella modalità video: Premere a breve per scattare la photo quando inizia la registrazione 3. Nella modalità video: Premere a lungo per accendere/ Spegnere la Registrazione di Audio |
| Giù | Giù Accendere/ Spegnere la modalità di Pargheggio Picture in Picture mode shift | 1. Nell' interfaccia del menù e la riproduzione: Giù 2. Nella modalità video (premere a lungo): Accendere/ Spegnere la modalità di Pargheggio 3. Shift 4 modes of PIP, quando collegato la telecamera retromarcia |
| Serratura di Emergenza | Proteggere/ Salvare Video Accendere/ Spegnere WiFi | 1. Nella modalità video, quando in registrazione, premere a breve per salvare il video 2. Premere a lungo per accendere/ spegnere la funzione WiFi |
| Micro SD Slot | Micro SD Card Slot | Inserire la scheda Micro SD con i contatti dorati rivolti verso la lente |
| Porta Mini-USB | Charging USB Storage | 1. Con il cavo lungo di alimentazione Mini-USB, potresti utilizzarlo per caricare la dash cam 2. Con il cavo Mini-USB di trasferimenti dei dati (NON include), potresti collegarlo con il tuo computer per guardare il video nella file "Mass Storage" |

| | | |
|-------------|-------|---|
| Porta AV IN | AV IN | Supporta solo la telecamere retromarcia a VGA e 4 PIN |
|-------------|-------|---|

●>> USARE NOSTRA DASH CAM

Note: Si prega di formattare la scheda di memoria prima di utilizzarla per la prima volta dalle impostazioni di sistema della fotocamera. La batteria integrata è principalmente utilizzata per salvare i file in caso di emergenza. Si prega di collegare sempre la nostra Dash Cam all'alimentazione esterna mentre è in uso.

1. Accendere/ Spegner Automaticamente:

1. Collegare il caricatore da auto e la nostra Dash Cam con il cavo di alimentazione.
2. Collegare l'altra estremità del caricatore per auto alla presa dell'accendisigari del veicolo.
3. Quando viene avviato il motore dell'auto, la nostra Dash Cam si accenderà automaticamente e inizierà a registrare. Quando si gira la chiave della macchina in posizione LOCK, la nostra Dash Cam salverà automaticamente la registrazione e si spegnerà in pochi secondi.

2. Accendere/ Spegner a Mano:

- Accendere la nostra dash cam a mano: Premere il tasto power una volta.
- Spegner la nostra dash cam a mano: Premere il tasto powe circa 2 secondi.

●>> ISTRUZIONI DI MODALITÀ DI PARGHEGGIO & MONITOR DI MOVIMENTI

Note: Si prega di comprendere completamente la MODALITÀ DI PARCHEGGIO e il MONITOR DI MOVIMENTI prima di accendere queste due funzioni.

MODALITÀ DI PARGHEGGIO:

1. Si prega di NON attivare questa funzione prima di installare la dash cam sul parabrezza.
2. Se la MODALITÀ DI PARCHEGGIO viene attivata, quando apprendi le funzioni della dash cam tra le mani, la nostra dash cam si attiverà / si disattiverà o START / STOP registrerà casualmente, poiché la MODALITÀ DI PARGHEGGIO continuerà ad attivarsi ogni volta la nostra dash cam attraverso il Gyro Sensor Integrato (G-Sensor).
3. Potresti attivare la MODALITÀ DI PARCHEGGIO dopo aver installato la nostra dash cam sul parabrezza.
4. Potresti testare e imparare come funziona la modalità di parcheggio, impostandola su ON, e poi uscire dalle impostazioni del menù e, NON spostare la dash cam, premere il pulsante power per spegnere la nostra dash cam. Ora scuotere la fotocamera Si accenderà la dash cam, e se è installata la scheda di memoria, si inizierà a registrare il video tra 1 minuto, quindi salverà e bloccherà il video e si spegnerà automaticamente la dash cam.

MONITOR DI MOVIMENTI:

AVVISO: NON vi consigliamo di attivare questa funzione mentre sei alla guida e per i tuoi spostamenti quotidiani. Se attivi il rilevamento del movimento durante la guida e durante i tuoi spostamenti quotidiani, la nostra da NON registra i video continuamente e mancano i secondi del video.

1. La funzione di Monitor di Movimenti riesce ad essere utilizzato per la sorveglianza quando l'auto è parcheggiata e NON in movimento. Di solito è utilizzato quando non sei dentro la tua

auto. Durante la tua auto è parcheggiata e volevi una sorveglianza continua.

2. Per utilizzare il rilevamento del movimento, prima di tutto dovresti impostare "AUTO POWER OFF" su OFF nelle impostazioni di sistema. Ora attivare la funzione di rilevamento del movimento mentre la dash cam è installata sul parabrezza. Ora la nostra dash cam inizierà a registrare video quando viene rilevato un movimento davanti al campo visivo della telecamera e si fermerà automaticamente quando non ci sarà più movimento. Per risparmiare la batteria è anche possibile impostare "LCD ON/OFF Setting" su 1, 3 o 5 minuti affinché il display LCD si spenga automaticamente.

3. Ti consigliamo di collegare la tua dash cam alla batteria della tua auto via un cavo rigido, poiché la batteria interna riesce ad essere usato solo per alcuni minuti quando è completamente carica e dipende dalla risoluzione del video. Ti consigliamo di acquistare il "Kit Mini-USB Hard Wire" che ha protezione dalla batteria dell'auto che muore. Fondamentalmente questa funzione interrompe l'alimentazione della fotocamera quando la tensione della batteria della tua auto inizia a scattare criticamente. Puoi cercare su YouTube "come collegare il cavo rigido con una dash cam" per i video dimostrativi.

●>> IMPOSTAZIONI DI MENÙ E DI RIPRODUZIONE VIDEO

1. L' impostazione di modalità video

Appena inserito la scheda TF e acceso la dash cam, premere a breve il tasto OK per mettere in pausa la registrazione, e poi premere a breve il tasto M per entrare l' impostazioni dei menù.

| | |
|--------------------------|--|
| Risoluzioni Video | 2880x2160 P24 1920x1080 P60 1920x1080 P30 1280x720 P120 1280x720 P60 1280x720 P30 FHD P30+VGA P30 |
| Lingua | Inglese, Francese, Spagnolo, Portoghese, Tedesco, Italiano, Cinese, Russo, Giapponese, Tailandese, Polacco, Vietnamita, Olandese |
| Registrazione in Loop | Off/3 min/5 min/10 min, predefinito 3 min |
| Registrazione Audio | On/Off, predefinito On |
| Date Stamp | On/Off, predefinito On |
| GPS Stamp | On/Off, predefinito On |
| GPS Info | Numero / Tempo / Velocità / Longitudine / Latitudine / Direzione |
| Speed Unit | KMH/ MPH, predefinito KM/H |
| Esposizione | "+2.0""+1.7""+1.3""+1.0""+0.7""+0.3""0.0" "-0.3""-0.7""-1.0""-1.3""-1.7""-2.0" (predefinito value 0.0) |
| Registrazione Time-Lapse | Off/200ms/500ms/1secondo/2secondi |
| Monitor di Movimenti | On/Off, predefinito Off |
| Modalità di Pargheggio | On/Off, predefinito Off |
| WiFi | On/Off, predefinito Off |
| WDR | On/Off, predefinito Off |
| G-sensor | Off/Alta/Media/Bassa, predefinito Media |

| | |
|----------------------------|--|
| Beep Sound | On/Off, predefinito On |
| Date/Tempo | YY/MM/DD, Premere M per salvare |
| Timezone Setting | UTC/GMT+1 to UTC/GMT+12 UTC/GMT-1 to UTC/GMT-12 (Predefinito GMT +8) |
| Spegnimento Automatico LCD | Off/3 min/5 min/10 min, default Off Quando si interrompe la registrazione e nessuna operazione, la finestra dash cam si spegnerà automaticamente. Off/1 min/ 3 min/ 5 min, default 3 min |
| Salvaschermo con Orario | On/Off, predefinito On |
| Frequenza | 50HZ/60HZ, default 60Hz |
| Spazio di Scheda | Total/Free/Event/Movie/Picture |
| Formato | Cancellare or OK |
| Impostazione predefinita | Cancellare or OK |
| Versione | M06 V#. # YY/MM/DD |

2. Inpostazione di Riproduzione Video

Appena inserito la scheda TF e accesa, premere brevemente il pulsante OK per mettere in pausa la registrazione e premere a lungo il pulsante M per passare alla modalità Riproduzione, quindi premere brevemente M per accedere alle impostazioni di riproduzione.

| | |
|-------------------------------|--|
| Cancellare | Delete di recente/ Delete All |
| Proteggere(salvare/ bloccare) | Bloccare di recente/ Sbloccare di recente/ Bloccare Tutti/ Sbloccare Tutti |
| Slide show | 2s/5s/8s |

◆ ISTRUZIONI DI WIFI

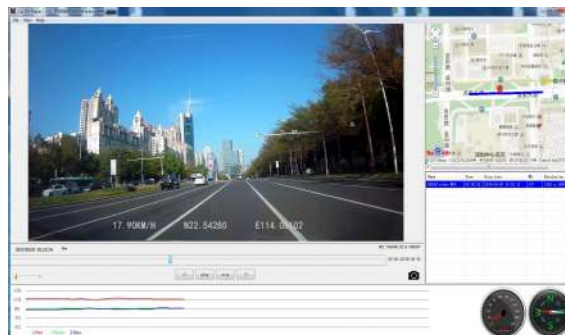
1. Scaricare APP LuckyCam

Cercare "LuckyCam" in App Store o Google Play Store per scaricarlo ed installarlo.



2. Collegare AZDOME M06 Dash Cam con lo smartphone:

- ACCENDERE LA FUNZIONE WIFI su AZDOME Dash Cam prima - Premere il tasto di serratura di emergenza per 2-secondi. Cliccare ON per accendere la funzione WIFI sulla dash cam.
- COLLEGARE WIFI dal tuo smartphone: Go to Phone' s Settings > WiFi > Scegliere M06 Dash Cam' WiFi (WiFi Nome SSID: M06_*****, PASSWORD: 12345678).
- Adesso aprire LuckyCam App per guardare il video, guardare/ scaricare la registrazione video & Cambiare le impostazioni.
- Appena fatto: Per scollegare WIFI, premere il tasto "Emergency Lock" per 2-secondi e poi ritornare alla registrazione video.



• Se Google Map NON riesce ad essere scaricato dal GPS Player, si prega di fare le seguenti prove:

1. Avviare GPS Player come amministratore (fai clic con il tasto destro del mouse su Car DV Player, quindi scegli come amministratore)
2. Aggiornare Internet Explorer al IE 10 o superiore
3. Se il GPS player NON funziona, si prega di contattarci via e-mail service@azdome.hk

P.S. (Si prega di NON utilizzare "Windows Media Player" per riprodurre questi video con bit rate elevati. Ti consigliamo di scaricare gratuitamente il nostro Car DV Player o VLC Media Player gratuito per goderti il video in streaming di qualità inferiore dal tuo Dash Cam AZDOME.

◆ FAQ

Q1: Non può accendere la dash cam?

Si prega di caricare la dash cam per 2 ore per il primo utilizzo. Assicurarsi che la scheda di memoria sia inserita correttamente. Si prega di collegare il cavo di alimentazione con la dash cam e dovrebbe iniziare la registrazione.

Q2: La data e l'ora non sono conservate e aggiornate dopo aver impostato?

- 1) Premere il tasto [M] (menu) - premere il tasto GiÙ -- data / ora - [OK] pulsante - [GiÙ] / [SU] pulsante per scegliere la data (anno/mese/data corretta) - [OK] pulsante per continuare -- quando tutto è pronto -- [M] tasto per salvare
- 2) Premere il tasto [M] (menu) - premere il tasto GiÙ -- Impostare TIME ZONE --- [OK] tasto - [GiÙ] tasto - UTC / GMT + 2: 00 - [OK] tasto finito (a causa dell'ora legale)

Q3: La dash cam si accende e si spegne sempre automaticamente?

Si prega di resettare la tua dash cam. Si prega di assicurare che la funzione "Motion Detection" NON accende. Inoltre si prega di assicurare che "Auto Power Off" "Parking Mode" sono OFF.

Q4: La riproduzione di video su PC è in ritardo?

Stai visualizzando la versione a bit rate dei file video. La configurazione generale del computer potrebbe avere problemi con l'elaborazione dei dati più veloce. Si prega di registrare video a bassa risoluzione e riprovare. Contattaci se il problema persiste ancora.

Q5: La dash cam si surriscalda?

È normale surriscaldare per la tua dash cam. Poiché la nostra dash cam ha una risoluzione video più alta, la nostra dash cam si surriscalderà normalmente. (NON superare 140°F/60°C).

Q6: Il video è confuso?

Si prega di assicurare che la lente è pulita e non c'è nemmeno sporcizia sul parabrezza. Inoltre, si prega di impostare di nuovo le indicazioni di Esposizione.

Q7: La dash cam bloccata / in ritardo o in arresto?

Si prega di usare la scheda Micro SD class 10 o superiore. Inserisci un ago nel foro per premere il pulsante di resett interno, in modo da resettarlo. Cambiare un' altra scheda Micro SD per fare le prove.

Q8: Errore/Message "Card Full"?

Formattare la scheda andando in Impostazioni di sistema> Formato> OK> Selezione Si> OK. Inoltre vai su Impostazioni di sistema> Registrazione in loop> Scegli 1 min, 3 min, 5 min. Ciò consentirà di attivare la funzione Loop Recording e continuerà a registrare più e più volte.

Q9: La dash cam presenta "Errore memoria" o "Inserire scheda micro SD" anche se la scheda di memoria è già installata nella dash cam?

1. Si prega di assicurarsi che la scheda Micro SD sia almeno Classe 10, U3 e acquistata da un rivenditore di fiducia come Walmart, target, best buy, Ship & Venduto da Amazon "ecc.
2. Si prega di entrare il menù per le impostazioni di sistema della dash cam e FORMATTARE la tua scheda di memoria. Dopo aver formattato la scheda di memoria, tieni premuto il pulsante di accensione per spegnere la dash cam. Ora scollegare il cavo di alimentazione e ricollegare il cavo di alimentazione, la dash cam dovrebbe ora accendersi automaticamente e avviare la registrazione.

NOTA BENE: Non esiste il tuo problema? Contattaci direttamente via e-mail service@azdome.hk, grazie!

●>> LIMITAZIONE DI RESPONSABILITÀ

La DashCam è un dispositivo atto a registrare video, audio ed altre informazioni correlate al veicolo sulla strada, i suoi file sono esclusivamente

un riferimento ausiliario in caso di incidente.

Versione speciale: Il dispositivo registra file in stato di registrazione normale, ma nei seguenti casi porterà i file ad essere danneggiati o persi;

1. Se viene rimossa la scheda TF in fase di registrazione, i file video finali saranno irrimediabilmente danneggiati o persi.
 2. Se si manifesta un blackout improvviso in fase di registrazione, i file video finali saranno irrimediabilmente danneggiati o persi.
 3. Se si verifica una collisione distruttiva in fase di registrazione, i file video e audio saranno irrimediabilmente danneggiati o persi.
 4. Se si verifica una collisione distruttiva in fase di registrazione e la scheda di memoria viene rilasciata, i file video e audio saranno irrimediabilmente danneggiati o persi.
- Abbiate cura di evitare il calore o l'esposizione diretta al sole quando l'auto rimane parcheggiata all'aperto.
I file audio ed i video prodotti dalla DashCam sono soltanto un riferimento, non ci assumiamo alcuna responsabilità a causa di perdita di dati, dovuti a circostanze anomale.

●>> GARANZIA E ASSISTENZA

Garanzia

Offriamo una garanzia per questo dispositivo per 24 MESI dalla data originale di acquisto per difetti di fabbricazione. Se il dispositivo non funziona a causa di un difetto di fabbricazione, si prega di contattare il venditore direttamente per avviare la richiesta di ritorno e procedura di garanzia.

Servizio Clienti

Se vuole conoscere tutte le novità AZDOME o ha qualsiasi domanda o necessita di ulteriore assistenza, non esitare a contattarci via e-mail service@azdome.hk. Le risponderemo entro 24 ore. Faremo del nostro meglio per fornire una soluzione praticabile.

Dichiarazione

Forniamo il servizio post-vendita solo per i prodotti acquistati direttamente da AZDOME o distributore AZDOME-autorizzato.

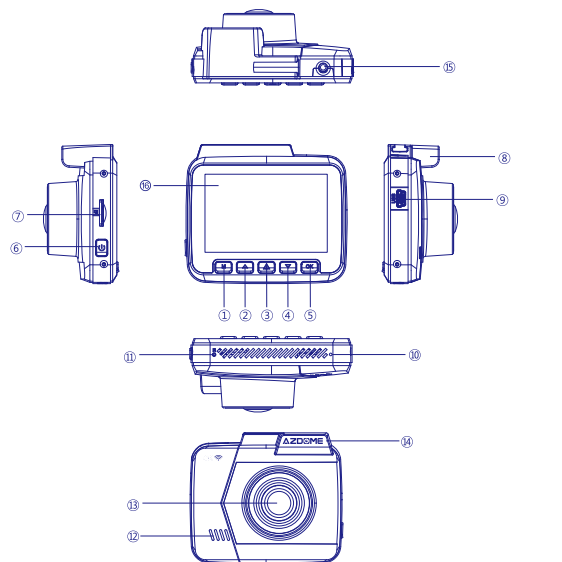
Contattaci

Per ulteriori richieste di assistenza o copertura di garanzia, non esitare a contattarci:
Web: www.azdome.hk
E-mail: service@azdome.hk (tutte le richieste)

●>> СПЕЦИФИКАЦИИ ПРОДУКТА

| | |
|-----------------------------------|---|
| Особенности продукта | HD-камера, запись Super HD |
| Размер ЖК-экрана | 2,4 дюйма |
| Линза | 170 ° A + Ультра HD Широкий угол |
| Апертура объектива | F1.8 |
| Видео код | H.264, Mp4 |
| Разрешение видео | 2880x2160 P24/1920x1080 P60/1920x1080 P30/ 1280x720 P120/1280x720 P60/1280x720 P30 |
| Язык | Английский, Французский, Испанский, Португальский, Немецкий, Итальянский, Китайский, Русский, Японский, Тайский, Польский, Вьетнамский, Голландский |
| GPS | Поддержка встроенной GPS-геометрии |
| WiFi | WiFi Встроенный |
| AV IN | Поддерживает только установку VGA 4-контактной камеры заднего вида (опция). |
| Карта памяти | Micro SD Card Class 10 или выше, максимальная поддержка 64 ГБ(Карта Micro SD не включена - требуется для работы камеры) |
| G-sensor | Встроенный 3-осевой ударный акселерометр Гравитационный Сенсор для блокировки и защиты текущего видео. |
| Частота | 60 Гц, 50 Гц |
| Циклическая запись | Поддержка бесшовной записи |
| Определение движения | Поддержка |
| Режим парковки | Поддержка |
| Поддержка WDR | Поддержка |
| Год / Месяц / день / час / минута | Поддержка |
| Микрофон / динамик | Поддержка включается во время запуска автомобиля. И выключение при остановке автомобиля |
| Порт Mini-USB | 1. Хранилище 2.Зарядка 3. Питание и запись |
| Интерфейс питания | 5V 1.5A |
| Батарея | Встроенная литий-ионная батарея 250 мА |
| Рабочая температура | от -20 ° C до 60 ° C (от -4 ° F до 140 ° F) |
| Температура хранения | от -20 ° C до 70 ° C (от -4 ° F до 158 ° F) |
| Рабочая влажность | 10 ~ 90% |

●>> СХЕМА ПРОДУКТА



- ① Меню/Режим ② Вверх ③ Аварийный замок ④ Вниз
 ⑤ ОК/подтвердить ⑥ Мощность ⑦ Слот для MicroSD ⑧ Встроенный GPS-приемник
 ⑨ Порт Mini-USB ⑩ MIC ⑪ Сброс ⑫ Орапор
 ⑬ объектив ⑭ Держатель ⑮ Порт AVIN ⑯ ЖК-экран

●>> КНОПКИ И ИНТЕРФЕЙСНЫЕ ИНСТРУКЦИИ

| Основные Мощность | Функции Включение / выключение питания | Инструкция 1. Включение: короткое нажатие на кнопку Power для включения и загорается индикатор 2.Отключение питания: Длительное нажатие Питание выключается и индикатор выключается 3. ЖК-дисплей выключен: кратковременно нажмите один раз, чтобы выключить ЖК-экран, красный светодиодный индикатор подтверждает, что камера по-прежнему включена |
|----------------------|--|--|
| Сброс | Сброс | Когда устройство выходит из строя, нажмите здесь, чтобы перезагрузить компьютер |
| Меню / Режим (M) | Длительное нажатие: режим видео / режим воспроизведения Короткое нажатие: Настройка системы / Воспроизведение | 1. После включения нажмите кнопку «OK», чтобы приостановить запись, долго нажмите кнопку «M», чтобы переключить режим видео / воспроизведения 2. В режиме видео / воспроизведения короткое нажатие, чтобы войти в настройку системы / воспроизведение |
| OK | Запуск / остановка записи Подтверждение настройки | 1. В режиме видео: кратковременное нажатие для начала / остановки записи 2. В режиме воспроизведения: кратковременное нажатие для воспроизведения 3. В разделе «Настройка системы: подтверждение» |
| UP | UP Фотографировать Запись звука вкл. / Выкл. | 1. В настройках системы / Воспроизведение: Вверх 2. В режиме видео: кратковременное нажатие для съемки при начале записи 3. В режиме видео: Длительное нажатие для включения / выключения аудиозаписи |
| Вниз | Вниз Включение / выключение режима парковки Сдвиг изображения в режиме изображения | 1. Настройка системы / Воспроизведение: Вниз 2. В режиме видео долгое нажатие: режим парковки Вкл. / Выкл. 3.Shift 4 режима PIP при подключении к задней камере (дополнительно) |
| Аварийный замок | Блокировать видео Вкл. / Выкл. WiFi | 1. В режиме видео, при записи короткое нажатие для блокировки видео 2. Длительное нажатие для включения / выключения Wi-Fi |
| Слот для Micro SD | Слот для карт Micro SD | Вставьте карту Micro SD с золотыми контактами, обращенными к объективу |

| | | |
|---------------|---------------------------------------|--|
| Mini-USB Порт | Зарядка Флешка Компьютерная камера | 1.С удлиненным кабелем Mini-USB, вы можете использовать его для зарядки 2. С кабелями передачи данных Mini-USB (не входит в комплект) вы можете подключить его к компьютеру для просмотра видеофайлов в режиме «Mass Storage» или использовать в качестве компьютерной камеры режим «ПК-каме» Поддерживается только установка камеры заднего вида VGA 4 Pin (дополнительно)ра» |
| AV IN Порт | AV IN | |

●>> ИСПОЛЬЗОВАНИЕ ВАШЕГО ДЕНЬГИ

Советы: Мы настоятельно рекомендуем отформатировать карту памяти перед её использованием в первый раз с помощью системных настроек камеры. Батарея в основном используется для сохранения файлов в чрезвычайных ситуациях. Всегда подключайте Dash Cam к внешнему источнику питания, когда он используется.

1. Автоматическое включение / выключение питания:

- Подсоедините автомобильное зарядное устройство и приборную камеру, используя зарядный кабель.
- Нажмите другой конец автомобильного зарядного устройства на гнездо прикуривателя вашего автомобиля.
- При запуске двигателя автомобиля Dash Cam автоматически включается и начинает запись. Когда ключ автомобиля повернут в положение LOCK, Dash Cam автоматически сохранит запись и выключится в течение нескольких секунд.

2. Ручное включение питания / OF

- Для ручного включения: один раз нажмите кнопку питания.
- Включение вручную: нажмите и удерживайте кнопку питания не менее 2 секунд.

●>> ИНСТРУКЦИИ ПО ОБСЛУЖИВАНИЮ ПАРКОВКИ

Подсказки: Пожалуйста, поймите, ПАРКОВКА РЕЖИМ и ДВИЖЕНИЕ ДВИЖЕНИЯ полностью, прежде чем включать эти функции.

РЕЖИМ ПАРКОВКИ:

- НЕ включайте эту функцию, пока не установите камеру на лобовое стекло.
- Если PARKING MODE включен, когда вы исследуете и изучаете функции камеры в ваших руках, камера будет включать / выключать и START / STOP записывать в случайном порядке, так как режим PARKING MODE будет активироваться каждый раз, когда камера определяет движение по его встроенный датчик гироскопа (G-Sensor).
- Вы хотите, чтобы РЕЖИМ ПАРКОВКИ был включен после установки вашей приборной камеры на лобовое стекло.
- Вы можете проверить и узнать, как работает режим парковки, установив его в положение «Вкл», затем выйти из настроек меню, и, не перемещая камеру, нажмите и

удерживайте кнопку питания, чтобы выключить камеру. Теперь встряхните камеру он включит камеру, и если будет установлена карта памяти, она начнет запись видео в течение 1 минуты, затем сохранит и заблокирует это видео и автоматически выключит камеру.

ОПРЕДЕЛЕНИЕ ДВИЖЕНИЯ:

ПРЕДУПРЕЖДЕНИЕ: Мы НЕ рекомендуем включить эту функцию во время движения и ежедневного использования. Если вы включите обнаружение движения во время движения и во время ежедневного переезда, ваша камера НЕ будет записывать видео непрерывно, и в нем будет отсутствовать видео секунд.

1. Обнаружение движения предназначено для наблюдения, когда ваш автомобиль припаркован и НЕ движется. Обычно, когда вы не находитесь внутри своего автомобиля. Во время вашего автомобиля припаркован и вы хотите непрерывного наблюдения.

2. Чтобы использовать обнаружение движения, сначала убедитесь, что вы установили «АВТО ВЫКЛ» в положение «ВЫКЛ» в системных настройках. Теперь включите функцию обнаружения движения, когда ваша камера установлена на лобовом стекле. Теперь камера начнет запись видео, когда будет обнаружено движение перед полем зрения камеры, и оно автоматически остановит запись, когда движения больше нет. Чтобы сохранить батарею, вы также можете установить «LCD ON / OFF Setting» на 1, 3 или 5 минут для автоматического выключения ЖК-дисплея.

3. Мы рекомендуем «HARD-WIRE» вашу приборную камеру на батарею вашего автомобиля, так как внутренняя батарея НЕ рассчитана на более чем 8 минут при полной зарядке и в зависимости от разрешения видео. Мы рекомендуем приобрести «комплект для жестких дисков Mini-USB», который имеет защиту от батареи умирающего автомобиля. В основном эта функция отключит питание камеры, когда напряжение аккумулятора вашего автомобиля начнет критически понижаться. Вы можете искать YouTube «как подключить жесткий провод с тире» для демонстрационных видеороликов.

●> НАСТРОЙКА СИСТЕМЫ И НАСТРОЙКА ВОСПРОИЗВЕДЕНИЯ

1. Настройка видеосистемы

После вставки карты TF и включения питания, одновременно нажмите кнопку ОК, чтобы приостановить запись, и нажмите кнопку М, чтобы войти в Системную настройку.

| | |
|--------------------|---|
| Разрешение | 2880x2160 P24 1920x1080 P60 1920x1080 P30 1280x720 P120 1280x720 P60 1280x720 P30 FHD P30+VGA P30 |
| Язык | Английский, Французский, Испанский, Португальский, Немецкий, Итальянский, Китайский, Русский, Японский, Тайский, Польский, Вьетнамский, Голландский |
| Циклическая запись | Вкл. / 3 мин / 5 мин / 10 мин, по умолчанию 3 мин. |
| Аудио запись | Вкл. / Выкл., По умолчанию включено |
| Штамп с датой | Вкл. / Выкл., По умолчанию включено |
| GPS-штамп | Вкл. / Выкл., По умолчанию включено |
| Информация о GPS | Номер / Время / Скорость / Долгота / Широта / Направление |

| | |
|------------------------------|---|
| Блок скорости | КМН / МРН, по умолчанию КМ / Н |
| Воздействие | "+2.0","+1.7","+1.3","+1.0","+0.7","+0.3","0.0" "-0.3","-0.7","-1.0","-1.3","-1.7","-2.0" (Значение по умолчанию 0.0) |
| Видео с задержкой по времени | Выкл / 200мс / 500мс / 1 секунда / 2 секунды |
| Определение движения | Вкл / Выкл, По умолчанию выключено |
| Режим парковки | Вкл / Выкл, По умолчанию выключено |
| WiFi | Вкл / Выкл, По умолчанию выключено |
| WDR | Вкл / Выкл, По умолчанию выключено |
| G-sensor | Выкл / Высокий / Средний / Низкий, по умолчанию Средний |
| Звуковой сигнал | Вкл / Выкл, По умолчанию включено |
| Дата / время | YY / MM / DD, нажмите М, чтобы сохранить |
| Настройка часового пояса | UTC / GMT + 1 до UTC / GMT + 12 UTC / GMT-1 до UTC / GMT-12 (по умолчанию GMT +8) |
| Авто-выключение | Выкл / 3 мин / 5 мин / 10 мин, по умолчанию Выкл При остановке записи и отсутствии операции камера автоматически отключится. |
| ЖК-дисплея | Выкл / 1 мин / 3 мин / 5 мин, по умолчанию 3 мин. |
| Заставка с часами | Вкл / Выкл, По умолчанию включено |
| Частота | 50 Гц / 60 Гц, по умолчанию 60 Гц |
| Место для хранения | Total / Free / Событие / Кино / Фото |
| Формат | Отменить или ОК |
| Настройки по умолчанию | Отменить или ОК |
| Версия | M06 V.# YY / MM / DD |

●> ВВЕДЕНИЕ ВВЕДЕНИЕ

1. ЗАГРУЗКА LuckyCam APP

Найдите «LuckyCam» в App магазин или Google Play магазин, чтобы найти приложение, а затем загрузить и установить его.



Заметка:

Apple logo & App магазин являются торговыми марками Apple Inc.
Логотип Google и Google Play являются товарными знаками Google Inc.
2. Подсоедините AZDOME M06 Dash Cam со смартфоном:

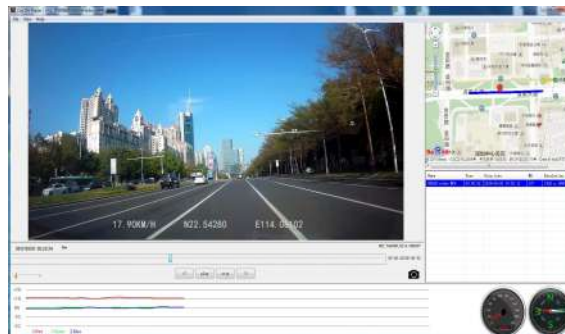
- Включите WIFI ON из AZDOME Dash Cam сначала, нажав и удерживая кнопку блокировки в течение 2 секунд. Это включит маршрутизатор WiFi (сигнал) от приборной панели.
- ПОДКЛЮЧИТЕ WIFI со своего смартфона: перейдите в Настройки телефона> WiFi> выберите M06 Dash Cam *WiFi (имя WiFi SSID: M06_*****, PASSWORD: 12345678).
- Теперь откройте приложение LuckyCam для просмотра видео в реальном времени, просмотра / загрузки записанных видео и даже изменения настроек.
- Когда выполнено: Чтобы отключить WiFi, нажмите и удерживайте кнопку «Emergency Lock» в течение 2 секунд, чтобы вернуться в режим видео.

Постскриптум (Вы можете использовать его только на своем телефоне. При подключении AZDOME M06 Dash Cam к телефону. Убедитесь, что ваш телефон близок к AZDOME M06 Dash Cam)

◆ УСТАНОВКА GPS & CAR DV ПЛЕЕР

Руководство пользователя по установке и использованию программного обеспечения для проигрывателя GPS:

- Перед просмотром видео с помощью GPS-следа, сначала установите Car DV Player с вашего AZDOME M06 Dash Cam.
- Посетите сайт www.azdome.hk/downloads.html, чтобы загрузить БЕСПЛАТНЫЙ плеер DV. Вы можете отправить нам электронное письмо по адресу service@azdome.hk.
- Нажмите «Меню файлов»> «Открыть», чтобы выбрать видеофайл, который вам нравится играть. Вы также можете перетащить видеофайл в область воспроизведения видео, чтобы воспроизвести видео.



- Если карта Google не может быть загружена GPS-плеером, попробуйте выполнить следующие действия:
 1. Запустите GPS-плеер в качестве администратора (щелкните правой кнопкой мыши на проигрывателе автомобиля DV, затем выберите режим работы в качестве администратора)
 2. Обновите Internet Explorer до IE 10 или выше.
 3. Если плеер GPS все еще не работает, свяжитесь с нами по адресу service@azdome.hk

Постскриптум (Пожалуйста, НЕ используйте «Windows Media Player» для воспроизведения этих видеороликов с высокой скоростью передачи. Мы рекомендуем загрузить наш бесплатный проигрыватель DV Player или бесплатный проигрыватель VLC Media Player, чтобы наслаждаться потоковыми видеороликами с более высоким качеством с вашего AZDOME Dash Cam.)

◆ ОБЫКНОВЕННЫЕ ВОПРОСЫ

В1: Камера не включается?

Пожалуйста, убедитесь, что вы заряжаете камеру в течение 2 часов перед первым использованием. Убедитесь, что карта памяти вставлена правильно. Затем подключите кабель питания, который должен включить камеру, и он должен начать запись.

В2: дата и время не остаются неизменными даже после того, как я установил дату и время?

Перейдите к системным настройкам камеры> Настройка часового пояса> Установите правильное значение GMT> ОК для подтверждения. Теперь каждый раз, когда у вас есть

сигнал GPS, вы всегда будете иметь правильную дату и время.

V3: Камера часто включается / выключается автоматически?

Перезагрузите камеру. Убедитесь, что для параметра «Обнаружение движения» установлено значение «Выкл». Также убедитесь, что «Автоотключение» «Режим парковки» также установлено на Выкл.

V4: Мое воспроизведение видео на ПК отстаёт?

Вы просматриваете видеофайлы с высокой скоростью передачи данных. Общая конфигурация компьютера может иметь проблемы с более быстрой обработкой данных. Пожалуйста, записывайте видео с более низким разрешением и повторите попытку. Свяжитесь с нами, если проблема по-прежнему сохраняется.

V5: Камера становится ГОРЯЧЕЙ?

Для вашей камеры нормально работать немного. Из-за более высокого разрешения видео во время использования приборная панель может нагреваться. (не более 140 ° F / 60°C).

V6: Видео нечеткое?

Пожалуйста, убедитесь, что объектив камеры чист, и на лобовом стекле нет грязи.

V7: Замораживание камеры / задержка или сбой?

Убедитесь, что вы используете только карту памяти Micro SD класса 10 или выше. Вставьте скрепку в исходное положение. Перезагрузитесь с другой Micro SD-картой и повторите попытку.

V8: Камера автоматически блокирует много видео?

Убедитесь, что вы увеличили настройку G-датчика. Если вы выберете более высокую настройку, тогда она может срабатывать даже при меньшем ударе. Эта настройка зависит от типа автомобиля или грузовика, на котором вы едете, и от того, какая вибрация создается вашим автомобилем / грузовиком на основе подвесок и состояния дороги.

V9: Ошибка / сообщение «Полная карта»?

Форматируйте карту, перейдя в «Системные настройки»> «Формат»> «ОК»> «Да»> «ОК». Затем перейдите в раздел «Настройки системы»> «Запись по петле»> выберите «1 минута», «3 минуты», «5 минут». Это позволит включить функцию Loop Recording, и она будет продолжать запись снова и снова.

V10: Камера показывает «Ошибка памяти» или «Вставьте карту Micro SD», даже если карта памяти уже установлена в камеру?

1. Пожалуйста, убедитесь, что карта памяти не менее 10 класса, U3 и приобретено у доверенного поставщика, такого как Walmart, целевая, лучшая покупка, Ship & Sold от Amazon и т. Д. (Есть много поддельных карт в сети Интернет, помните, если это дешево, это подделка.

2. Теперь перейдите к настройкам системы камеры и FORMAT на карте памяти. После форматирования карты памяти нажмите и удерживайте кнопку питания, чтобы выключить фотокамеру. Теперь отсоедините кабель питания и снова подключите кабель питания, камера должна автоматически включиться и начать запись.

●> ОТКАЗ ОТ ОТВЕТСТВЕННОСТИ

Видео / фотографии, сделанные Car DashCam, предназначены только для справки, мы не берем на себя никакой ответственности из-за потери данных в ненормальных обстоятельствах.

Специальная версия: устройство будет записывать файлы в нормальный режим записи. Но в следующей ситуации это приведет к повреждению или утере файлов:

1. Если вы вытащите карту TF в состоянии записи, окончательные видеофайлы будут повреждены или потеряны.
2. Если в статусе записи есть недопустимое затемнение, окончательные видеофайлы будут повреждены или потеряны.
3. Если в состоянии записи происходит разрушительное столкновение, видео и аудио файлы будут повреждены или потеряны.
4. При наличии деструктивного столкновения в состоянии записи, приводящего к отсутствию карты памяти, видео и аудио файлы будут повреждены или потеряны.

●> ГАРАНТИЯ И ПОДДЕРЖКА КЛИЕНТОВ

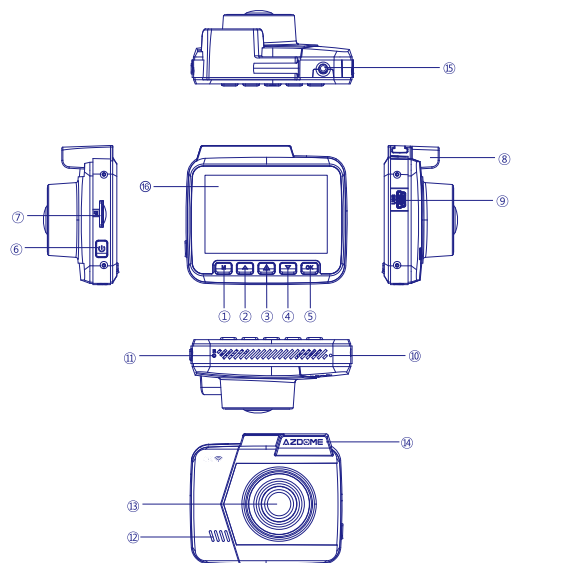
Мы предоставляем единый (1) полный год ограниченной гарантии на ваш продукт с даты покупки, чтобы быть свободным от дефектов материалов и мастерства. По вопросам, заявлениям о поддержке или гарантиям свяжитесь с нами по адресу service@azdome.hk, который соответствует вашему региону. Пожалуйста, укажите ваш оригинальный номер заказа и модель продукта.

ВАЖНО: для любого гарантийного обслуживания требуется подтверждение подлинной покупки (также требуется прием онлайн-заказа). AZDOME может предоставить только последующее обслуживание продуктов, приобретенных непосредственно у AZDOME. Если вы приобрели у другого продавца, свяжитесь с ними напрямую по вопросам обслуживания или гарантии.

●>> ESPECIFICACIÓN DEL PRODUCTO

| | |
|------------------------------------|--|
| Característica del producto | Cámara HD, Grabación Súper HD |
| Tamaño de la pantalla LCD | 2,4 pulgadas |
| Lente | 170°A + Ultra HD Gran Angular |
| Apertura del objetivo | F1.8 |
| Código de video | H.264, Mp4 |
| Resolución de video | 2880x2160 P24/1920x1080 P60/1920x1080 P30/ 1280x720 P120/1280x720 P60/1280x720 P30 |
| Idioma | inglés, francés, español, portugués, alemán, italiano, chino, ruso, japonés, tailandés, polaco, vietnamita, holandés |
| GPS | GPS incorporado y tecnología de geo-etiquetado |
| WiFi | Incorporado |
| AV IN | Solo admite la instalación de la cámara de visión trasera con VGA de 4 patillas (opcional) |
| Tarjeta de memoria | Tarjeta Micro SD de Clase 10 o superior, soporte máximo 64 GB (Tarjeta micro SD NO está incluida: requerida para el funcionamiento de la cámara) |
| G-sensor | Acelerómetro de impacto gravitacional de 3 ejes incorporado. Sensor para bloquear y proteger el video actual. |
| Frecuencia | 60 Hz, 50 Hz |
| Grabación de bucle | Apoyo de grabación sin interrupciones |
| Detección de movimiento | Apoyo |
| Modo de estacionamiento | Apoyo |
| WDR | Apoyo |
| Año / mes / día / hora / minuto | Apoyo |
| Micrófono / altavoz | Apoyo |
| Encendido / apagado automático | Se enciende cuando el vehículo arranca y se apaga cuando el vehículo se apaga. |
| Puerto mini-USB | 1. Almacenamiento 2. Carga 3. Encienda y grabe |
| Interfaz de alimentación | 5V 1.5A |
| Batería | Batería de iones de litio incorporada de 250mAh |
| Temperatura de funcionamiento | -20°C a 60°C (-4°F a 140°F) |
| Temperatura de almacenamiento | -20°C a 70°C (-4°F a 158°F) |

●>> DIAGRAMA DEL PRODUCTO



- ①Menú/Modo ②UP ③Bloqueo de emergencia ④Down
 ⑤OK/Confirmar ⑥Encendido ⑦Ranura para Micro SD ⑧GPS incorporado
 ⑨Puerto mini-USB ⑩Micrófono ⑪Reiniciar ⑫Altavoz
 ⑬Lente ⑭Soporte ⑮Puerto AV/IN ⑯Pantalla LCD

●>> BOTONES & INSTRUCCIONES DE INTERFAZ

| Botón | Función | Instrucción |
|---------------|---|---|
| Encendido | Encendido / Apagado | <ol style="list-style-type: none"> 1. Encendido: presione brevemente el botón para encender y el indicador se encenderá. 2. Apagado: mantenga presionado el botón para apagar y el indicador se apagará. 3. LCD apagado: presione brevemente el botón una vez para apagar la pantalla LCD, el indicador LED ROJO confirma que la cámara sigue encendida. |
| Reiniciar | Reiniciar | Cuando el dispositivo se cuelga, presione el botón para reiniciar. |
| Menú/Modo (M) | Pulsación larga: modo de video / modo de reproducción Pulsación corta: configuración del sistema / configuración de reproducción | <ol style="list-style-type: none"> 1. Después del encendido, presione el botón OK para pausar la grabación, mantenga presionado el botón "M" para cambiar el modo de Video / Reproducción. 2. En el modo de video / reproducción, presione brevemente para ingresar a la configuración del sistema / configuración de reproducción. |
| OK | Iniciar / detener la grabación Reproducción Confirmar la configuración | <ol style="list-style-type: none"> 1. En el modo de video: presione brevemente el botón OK para iniciar / detener la grabación. 2. En el modo de reproducción: presione brevemente el botón para reproducir. 3. En la configuración de sistema: Confirmar la configuración. |
| UP | UP Tomar foto Grabación de audio ON / OFF | <ol style="list-style-type: none"> 1. En la configuración del sistema / configuración de reproducción: Ariba. 2. En el modo de video: Presione brevemente el botón UP para tomar una foto cuando comience a grabar. 3. En el modo de video: Mantenga presionado el botón UP para encender / apagar la grabación de audio. |
| Down | Down Modo de estacionamiento On/Off Modo de cambio de imágenes | <ol style="list-style-type: none"> 1. En Configuración del sistema / Configuración de reproducción: Abajo. 2. En modo de video, mantenga presionado: Modo de estacionamiento On/Off. 3. Cambios en 4 modos Picture-in-Picture, cuando está conectado con la cámara trasera (opcional). |

| | | |
|-----------------------|--|--|
| Bloqueo de emergencia | Bloquear video WiFi On/Off | <ol style="list-style-type: none"> 1. En el modo de video, al grabar, presione brevemente este botón para bloquear el video. 2. Mantenga presionado el botón para activar / desactivar WiFi. |
| Ranura para Micro SD | Ranura para tarjeta Micro SD | Inserte la tarjeta Micro SD con los contactos dorados hacia el lente |
| Puerto mini-USB | Cargar Almacenamiento USB Cámara de PC | <ol style="list-style-type: none"> 1. Con cable de carga larga Mini-USB, puede usarlo para cargar. 2. Con los cables de datos Mini-USB (no incluidos), puede conectarlo con la computadora para ver sus archivos de video en el modo "Almacenamiento masivo" o usarlo como cámara de la computadora en el modo "Cámara de PC". |
| Puerto AV / IN | AV IN | Solo admite la instalación de una cámara trasera con VGA de 4 patillas (opcional) |

●>> USO DE SU DASH CAM

Sugerencias: Recomendamos encarecidamente que formatee su tarjeta de memoria antes de usarla por primera vez mediante la configuración del sistema de la cámara. La batería se usa principalmente para guardar archivos en caso de emergencia. Por favor, siempre conecte la Dash Cam a la alimentación externa mientras está en uso.

1. Encendido / Apagado automático:

- ① Conecte el cargador de coche y la Dash Cam utilizando el cable de carga.
- ② Enchufe el otro extremo del cargador de coche al encendedor de cigarrillos.
- ③ Cuando se enciende el motor de coche, la cámara se enciende automáticamente y comienza a grabar. Cuando la llave del automóvil se coloca en la posición LOCK, la cámara guarda automáticamente la grabación y se apaga en pocos segundos.

2. Encendido / encendido manual

- Para encender manualmente: Presione el botón de encendido una vez.
- Para apagar manualmente: mantenga presionado el botón de encendido durante al menos 2 segundos.

●>> INSTRUCCIONES DE MODO DE ESTACIONAMIENTO Y DETECCIÓN DE MOVIMIENTO

Sugerencias: Por favor, comprenda completamente el MODO DE ESTACIONAMIENTO y la DETECCIÓN DE MOVIMIENTO antes de activar estas funciones.

MODO DE ESTACIONAMIENTO:

1. NO encienda esta función hasta que instale la cámara en su parabrisas.
2. Si el MODO DE ESTACIONAMIENTO se enciende mientras explora y aprende las características de la cámara en sus manos, la cámara encenderá / apagará e iniciará / detectará la grabación aleatoriamente, ya que el MODO DE ESTACIONAMIENTO se activará cada vez que la cámara detecte el movimiento con su sensor giroscópico(G-Sensor) incorporado.
3. Será mejor que encienda el MODO DE ESTACIONAMIENTO después de instalar la cámara en el parabrisas.
4. Puede probar y aprender cómo funciona el modo estacionamiento, configurándolo en ON, luego salga de la configuración del menú y, sin mover la cámara, mantenga presionado el botón de encendido para apagar la cámara. Después sacuda la cámara ... ENCENDERÁ la cámara y, si está instalada la tarjeta de memoria, comenzará a grabar video durante 1 minuto, luego guardará y bloqueará ese video y APAGARÁ la cámara automáticamente.

DETECCIÓN DE MOVIMIENTO:

PRECAUCIÓN: NO recomendamos que esta característica se encienda mientras conduce y para su viaje cotidiano. Si activa la detección de movimiento mientras conduce y durante su viaje cotidiano, entonces su cámara NO grabará videos continuamente, y le faltarán segundos de video.

1. La detección de movimiento está diseñada para ser utilizada para ser vigilancia cuando su coche está estacionado y NO se mueve, usualmente cuando no está dentro de su coche. Es para momento cuando su coche está estacionado y usted quería una vigilancia continua.
2. Para usar la detección de movimiento, primero asegúrese de ajustar "AUTO POWER OFF" a OFF en la configuración de sistema. Active la detección de movimiento mientras su cámara está instalada en el parabrisas. Pues la cámara INICIARÁ la grabación de video cuando se detecte movimiento en frente del campo de visión de la cámara y DETENDERÁ automáticamente la grabación cuando no haya más movimiento. Para ahorrar energía de la batería, también puede configurar "LCD ON / OFF Setting" a 1, 3 o 5 min para que la pantalla LCD se apague automáticamente.
3. Recomendamos "Cable Duro" para la cámara a la batería de su coche, ya que la batería interna NO está diseñada para durar más de 8 minutos cuando está completamente cargada y depende de la resolución del video. Recomendamos comprar el "Kit de cable duro Mini-USB" que tiene protección contra agotar la batería de su coche. Básicamente, esta función cortará la energía de la cámara cuando el voltaje de la batería de su automóvil comience a ser extremadamente bajo. Puede buscar en YouTube "cómo conectar el cable duro con cámara de coche" para ver videos de demostración.

●>> CONFIGURACIÓN DEL SISTEMA Y CONFIGURACIÓN DE REPRODUCCIÓN

1. Configuración del sistema de video

Después de insertar la tarjeta TF y encenderla, presione brevemente el botón OK para pausar la grabación, y presione brevemente el botón M para ingresar a Configuración del sistema.

| | |
|---|--|
| Resolución | 2880x2160 P24 1920x1080 P60 1920x1080 P30 1280x720 P120 1280x720 P60 1280x720 P30 FHD P30+VGA P30 |
| Idioma | inglés, francés, español, portugués, alemán, italiano, chino, ruso, japonés, tailandés, polaco, vietnamita, holandés |
| Grabación Continua (grabación de Bucle) | Apagado/3 min/5 min/10 min, el valor predeterminado es "3 min" |
| Grabación de Audio | Encendido / Apagado, predeterminado "Encendido" |
| Impresión Fecha | Encendido / Apagado, predeterminado "Encendido" |
| GPS Stamp | Encendido / Apagado, predeterminado "Encendido" |
| GPS Información | Número / Tiempo / Velocidad / Longitud / Latitud / Dirección |
| Speed Unit | KMH/ MPH, predeterminado "KM/H" |
| Exposición | "+2.0";"+1.7";"+1.3";"+1.0";"+0.7";"+0.3";"0.0" "-0.3";"-0.7";"-1.0";"-1.3";"-1.7";"-2.0" (Default value 0.0) |
| Video de Lapsos de Tiempo | Apagado/200ms / 500ms / 1 segundo / 2 segundos |
| Detección de Movimiento | Encendido / Apagado, predeterminado "Apagado" |
| Parking Mode (Monitoreo de estacionamiento) | Encendido / Apagado, predeterminado "Apagado" |
| WiFi | Encendido / Apagado, predeterminado "Apagado" |
| WDR | Encendido / Apagado, predeterminado "Apagado" |
| G-sensor | Apagado / Alta / Media / Baja, predeterminado "" Media" |
| Sonido Bip | Encendido / Apagado, predeterminado "Encendido" |
| Fecha / Hora | AÑO / MES / DÍA / HORA, presione M para guardar |
| Timezone Setting | UTC/GMT+1 to UTC/GMT+12 |
| (Configuración de la zona horaria) | UTC/GMT-1 to UTC/GMT-12 (predeterminado "GMT +8) |
| Apagado Automático | Apagado/3 min/5 min/10 min, predeterminado "Apagado" Cuando detenga la grabación y no funcione, la cámara se apagará automáticamente. |
| LCD Automático Apagado | Apagado/1 min/ 3 min/ 5 min, predeterminado "3 min" |
| Salvapantallas de Reloj | Encendido / Apagado, predeterminado "Encendido" |
| Frecuencia | 50HZ/60HZ, predeterminado 60Hz |
| Espacio de Almacenamiento | Total / Gratis / Evento / Película / Imagen |
| Formato | Cancelar o OK |
| Configuración por Defecto | Cancelar o OK |
| Versión | M06 V#.# AÑO / MES / DÍA |

2 Configuración de reproducción

Después de insertar la tarjeta TF y encenderla, presione brevemente el botón OK para pausar la grabación, y mantenga presionado el botón M para cambiar al modo de reproducción, luego presione brevemente M para ingresar a la configuración de reproducción.

| | |
|------------------------------|---|
| Eliminar | Eliminar archivos actuales / Eliminar todos los archivos |
| Proteger | Bloquear archivos actuales / Desbloquear archivos actuales / Bloquear todos los archivos / Desbloquear todos los archivos |
| Presentación de diapositivas | 2s/5s/8s |

●>> INTRODUCCIÓN DE WIFI

1. Descargar la aplicación LuckyCam

Busque "LuckyCam" en App Store o Google Play Store para encontrar la aplicación y luego descárguela e instálela.



Nota:

Apple logo & App Store son marcas comerciales de Apple Inc.,
Google logo y Google Play son marcas comerciales de Google Inc.

2. Conecte AZDOME M06 Dash Cam con el teléfono inteligente

• Primero, encienda la wifi de AZDOME Dash Cam, manteniendo presionado el botón de bloqueo de emergencia durante 2 segundos. Esto activará el enrutador(señal) de WIFI desde la cámara de coche.

• Conecte WIFI desde su teléfono inteligente: Ingrese a Configuración del teléfono> WIFI> Seleccione M06 Dash Cam "WIFI (WIFI Nombre SSID: M06_***** , CONTRASEÑA, 12345678).

• Ahora puede abrir la aplicación LuckyCam para ver la transmisión de video en vivo, ver / descargar videos grabados e incluso cambiar la configuración.

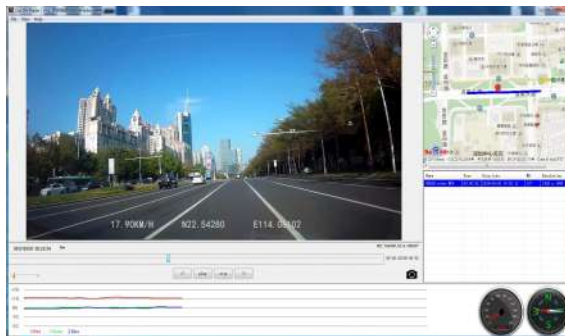
• Cuando termine: para desconectar la conexión de WiFi, mantenga presionado el botón "Bloqueo de emergencia" durante 2 segundos para volver al modo de video.

P.S. (Solo puede operarlo en la aplicación de su teléfono al conectar AZDOME M06 Dash Cam con su teléfono. Asegúrese de que su teléfono esté cerca de AZDOME M06 Dash Cam)

●>> INSTALACIÓN DE GPS & REPRODUCTOR DV DE COCHE

Instrucciones de instalación y uso del software del reproductor GPS:

- Antes de ver su video con rastreo GPS, instale primero el reproductor DV en su AZDOME M06 Dash Cam.
- Visite www.azdome.hk/downloads.html para descargar el Reproductor de DV para coche GRATUITO. Puede enviarnos un correo electrónico a service@azdome.hk
- Haz clic en Menú Archivo> Haz clic en Abrir para seleccionar el archivo de video que le gusta reproducir. También puede arrastrar y soltar su archivo de video en el área de reproducción de video para reproducir el video también.



• Si Google Map no puede cargarse normalmente con el Reproductor GPS, intente las siguientes operaciones:

1. Ejecute el Reproductor GPS como administrador (haga clic con el botón derecho en el Reproductor DV para coche y luego seleccione Ejecutar como Administrador).
2. Actualice Internet Explorer a IE 10 o superior.

3. Si el reproductor GPS aún no funciona, contáctanos a service@azdome.hk

P.S. (NO use "Windows Media Player" para reproducir estos videos de alta velocidad de bits. Recomendamos descargar nuestro Reproductor de DV de automóvil o el Reproductor de VLC gratuitos para disfrutar de la transmisión de videos de su AZDOME Dash Cam fluidamente).

●>> PREGUNTAS FRECUENTES

Pregunta 1: La cámara no puede encenderse?

Por favor, asegúrese de cargar la cámara durante 2 horas antes del primer uso. Y asegúrese de que la tarjeta de memoria esté insertada correctamente. Conecte el cable de alimentación que es necesario para encender la cámara y luego la cámara comenzará a grabar.

Pregunta 2: La fecha y la hora siguen siendo incorrectas incluso después de configurarlas?

Ingrese la configuración del sistema de la cámara> Timezone Setting (Configuración de la zona horaria)> Configure su valor GMT correcto> OK para confirmar. Pues siempre tendrá la fecha y la hora correctas cada vez que tenga una señal de GPS.

Pregunta 3: La cámara se enciende / apaga con frecuencia automáticamente?

Restablece tu cámara, y asegúrese de que "Detección de movimiento" esté en OFF. Además, asegúrese de que el "Apagado automático" en "Modo de estacionamiento" también esté desactivado.

Pregunta 4: Mi reproducción de video en la PC está rezagada?

Está viendo archivos de video de alta velocidad de bits. En general, la configuración de la computadora puede tener problemas con un procesamiento de datos más rápido. Grabar videos a menor resolución y vuelva a intentarlo. Contáctanos si el problema aún existe.

Pregunta 5: La cámara se calienta?

Es normal que su cámara funcione ligeramente caliente. Debido a la resolución de video más alta, la cámara puede estar caliente durante el uso. (no más de 140 ° F / 60 ° C).

Pregunta 6: El video es borroso?

Asegúrese de que la lente de la cámara esté limpia y que no haya suciedad en el parabrisas también.

Pregunta 7: ¿Detención / retraso o bloqueo de la cámara?

Por favor, asegúrese de que solo está usando la tarjeta de memoria Micro SD clase 10 o superior. Inserte un clip para restablecerla. Reinicie con otra tarjeta Micro SD y vuelva a

intentarlo.

Pregunta 8: ¿La cámara bloquea muchos videos automáticamente?

Por favor, asegúrese de que haya aumentado la configuración del sensor G o no. Si elige una configuración más alta, puede dispararse incluso con un golpe más pequeño. Esta configuración depende del tipo de coche que conduzca y de cuánta vibración está creando su coche en función de las suspensiones y las condiciones del camino.

Pregunta 9: Error / Nota "Tarjeta llena"?

Por favor, formatee la tarjeta en Configuración del sistema> Formato> OK> Seleccione Sí> Aceptar. Luego, ingrese Configuración del sistema> Grabación continua (grabación de bucle)> Elija entre 1 minuto, 3 minutos y 5 minutos. Esto permitirá que la función de grabación de bucle se active y se seguirá grabando repetidamente.

Pregunta 10: La cámara muestra "Error de memoria" o "Inserte la tarjeta Micro SD" aunque la tarjeta de memoria ya esté instalada en la cámara?

1. Asegúrese de que la tarjeta de memoria sea al menos Clase 10, U3 y que la compró de un proveedor de confianza como Walmart y Envío y Venta por Amazon, etc. (hay muchas tarjetas falsas en línea, recuerde que si es barato, es falso).
2. Ahora ingrese la configuración de sistema de la cámara y formatee su tarjeta de memoria.
Después de formatear la tarjeta de memoria, mantenga presionado el botón de encendido para apagar la cámara. Ahora desenchufe el cable de alimentación y vuelva a enchufar el cable de alimentación; pues la cámara debe encenderse automáticamente y comenzar a grabar.

●>> DESCARGO DE RESPONSABILIDAD

Los videos / imágenes grabados por la dashcam son solo para referencia, no asumimos ninguna responsabilidad debido a la pérdida de datos en circunstancias anormales.

Versión especial: el dispositivo registrará los archivos en el estado de grabación normal. Pero en las siguientes situaciones, los archivos se dañarán o perderán;

1. Si extrae la tarjeta TF en el estado de grabación, los archivos de video finales se dañarán o perderán.
2. Si hay un apagón ilegal en el estado de grabación, los archivos de video finales se dañarán o perderán.
3. Si hay una colisión destructiva en el estado de grabación, los archivos de video y audio se dañarán o perderán.
4. Si se produce una colisión destructiva en el estado de grabación que provoca la pérdida de la tarjeta de memoria, los archivos de video y audio se dañarán o perderán.

●>> GARANTÍA Y ATENCIÓN AL CLIENTE

Ofrecemos garantía de un año para su producto a partir de la fecha de compra para que esté libre de defectos en materiales y mano de obra.

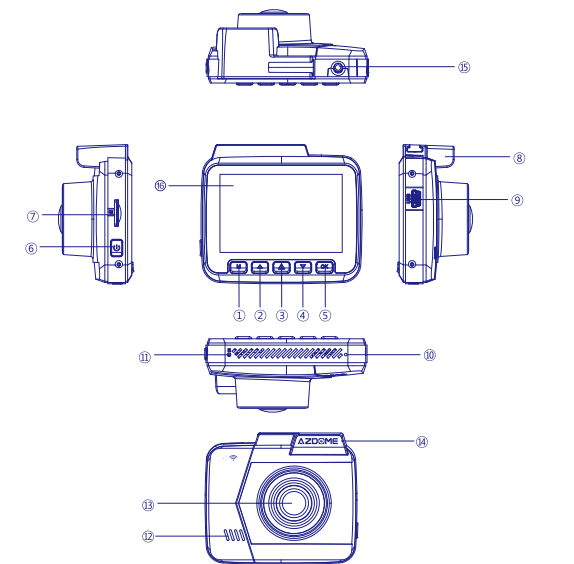
Contáctenos por correo electrónico service@azdome.hk para cualquier consulta o comentario sobre nuestro producto o cualquier problema relacionado con la calidad de nuestro producto. Le responderemos lo antes posible.

Tenga en cuenta que AZDOME solo puede proporcionar un servicio posventa para los productos comprados directamente desde AZDOME. Si ha comprado producto de otro vendedor diferente, contáctelo directamente para obtener servicio o problemas de garantía.

商品情報

| | |
|---------------|--|
| 商品 特徴 | HDカメラ、スーパーHDレコーディング |
| LCD スクリーン サイズ | 2.4 インチ |
| レンズ | 170 度+ HD 広角 |
| レンズ絞り | F1.8 |
| ビデオコード | H.264, MP4 |
| ビデオの解像度 | H.264, Mp42880x2160 P24/1920x1080 P60/1920x1080 P30/ 1280x720 P120/1280x720 P60/1280x720 P30 |
| 言語 | English, French, Spanish, Portuguese, Deutsch, Italian, Chinese, Russian, Japanese, Thai, Polish, Vietnamese, Dutch |
| GPS | GPS Geo内蔵-タグ付けサポート |
| WiFi | 内蔵 |
| AV IN | VGA 4ピンリアビューカメラ(オプション)の取り付けのみサポート。 |
| メモ리카ード | マイクロ SD カード Class 10 以上、64 Gbまで対応 (マイクロSDカードは含まれていません - カメラ操作に必要) |
| G-センサー | 内蔵3軸衝撃加速度計重力 現在のビデオをロック&プロテクトする。 |
| 周波数 | 60 Hz, 50 Hz |
| ループ録画 | シームレスな録音をサポート |
| 動体検知 | 対応 |
| 駐車監視 | 対応 |
| WDR | 対応 |
| 年/月/日/時間/分 | 対応 |
| マイク /スピーカー | 対応 |
| 自動的on/off | 車両が電源オン/オフすると自動的にオン/オフする |
| Mini-USB ポート | 1.ストレージ 2.充電 3電源オンと録画 |
| 電源インタフェース | 5V 1.5A |
| バッテリー | 250mAhリチウムイオン 内蔵 |
| 操作温度 | -20°C to 60°C (-4°F to 140°F) |
| 保管温度 | -20°C to 70°C (-4°F to 158°F) |
| 操作湿度 | 10 ~ 90% |

●▶ 製品図



- ①メニュー/モード ②アップ ③SOS/WIFIスイッチ ④ダウン
 ⑤OK/確認 ⑥パワー ⑦Micro SD スロット ⑧GPS内蔵
 ⑨Mini-USB ポート ⑩マイク ⑪リセット ⑫スピーカー
 ⑬レンズ ⑭Holder ⑮AVIN ポート ⑯LCD スクリーン

●▶ ボタン & 機能説明

| キー | 機能 | 説明 |
|---------------|---|--|
| パワー | パワーオン / パワーオフ | 1. パワーオン:短押しすと電源オン、インジケータ点灯 2. パワーオフ:長押しすと電源オフインジケータ消 LCD オフ:1回短押しすと、LCD スクリーンをオフする、 赤 LED インジケータ点灯、機械がオンの状態になる。 |
| リセット | リセット | 機械がクラッシュ状態でのボタンを短押しすと、再起 動できる |
| メニュー/モード(M) | 長押し: 写真/再生/ビデオモード 短押し: システム設定/再生設定 | 1. パワーオンすると、OKボタンを押すと、録画を停 止する。 "M" ボタンを長押しすと、再生/ビデオモードにはいる。 2. 写真/再生/ビデオモードで短押しすと、該当機能の 設置とシステム設置画面に入る |
| OK | 録画スタート/ビデオス トップ 再生 設置確認 | 1. ビデオモード:短押しすと、録画スタート/ビデオス トップ 2. 再生:短押しすと、再生できる 3. システム設置に:設置を確認する |
| アップ | アップ 写真を撮る 自動的に録画ON/OFF | 1. システム設置/再生設定:アップ 2. ビデオモード:短押しすと、写真を撮る 3. ビデオモード:長押しすと、自動的に録画ON/OFFす る |
| ダウン | ダウン 駐車モードOn/Off ピクチャーインピクチャ モードシフト | 1. システム設定/再生設定:ダウン 2. ビデオモードな場合は長押し:駐車モードオン/オ フ 3. リアカメラ(オプション)と接続する時には4種 PIPモードを移動することができます。 |
| 緊急ロック | ビデオをロックする WiFiのオン/オフ | 1. ビデオモードでは、録画中に短く押しすとビデオが ロックされます 2. 長時間押しすとWiFiがオン/オフになります |
| Micro SD スロット | Micro SD カードスロット | 金色の接点がレンズの方を向くようにMicro Sdカ ードを挿入します |
| ミニ-USB ポート | チャージャー USB ストレージ PCカメラ | 1. ミニUSBの長い充電ケーブルで充電することができ ます 2. Mini-USBデータケーブル(別売)を使用すると、コ ンピュータと接続してビデオファイルを「大容量記憶 装置」モードで表示したり、「PCカメラ」モードでコ ンピュータカメラとして使用したりできます |
| AV IN ポート | AV IN | VGA4ピンリアビューカメラ(オプション)だけをサポ ートする |

使用ドライブレコーダー

ヒント:カメラのシステム設定で初めて使用するときは、事前にメモリカードをフォーマットしておくことを強くお勧めします。バッテリーは、主に緊急時にファイルを保存するために使用されます。ドライブレコーダーを使用しているときは、必ず外部電源に接続してください。

1. オートパワーオン/オフ:

- ①車載充電器とダッシュカムを充電ケーブルで接続します。
- ②車の充電器のもう一方の端を車両のシガレットライターソケットに差し込みます。
- ③車のエンジンが始動すると、Dash Camが自動的にオンになり、録音を開始します。車キーがLOCK位置になると、Dash Camは自動的に録音を保存し、数秒以内に消灯します。

2. マニュアル電源ON / OFF

- 手動でオンするには:電源ボタンを1回押します。
- 手動でオフするには:電源ボタンを2秒以上押し続けます。

●> 駐車モードと動作検出の指示

ヒント:これらの機能をオンにする前に、駐車モードとモーション検出を完全に理解してください。

1. フロントガラスにカメラを取り付けるまで、この機能をオンにしないでください。
2. 手の中のカメラの機能を探索しながら学習中に駐車モードがオンになっていると、カメラが動きを感知するたびにパーキングモードが作動し続けるため、カメラはオン/オフとランダムにスタート/ストップします。そのジャイロセンサー (Gセンサー) に組み込まれています。
3. ダッシュカムカメラをフロントガラスに取り付けた後、駐車モードをオンにしたいと思うでしょう。
4. 駐車モードがどのように機能するかをテストし、学習するには、ONに設定してからメニュー設定を終了し、カメラを動かさずに電源ボタンを押し続けてカメラをオフにします。今カメラを振る。。カメラの電源が入り、メモリカードが装着されている場合は、1分間の録画を開始し、そのビデオを保存してロックし、カメラを自動的にオフにします。

動き検出:

注意:運転中や毎日の通勤時にこの機能をオンにすることはお勧めしません。通勤中や通勤中に運転中に動体検知をオンにすると、カメラは動画を連続的に記録せず、動画の秒数が失われます。

1. モーションディテクションは、駐車して動いていないときにサーベランスに使用するように設計されています。通常、車内にいないとき、あなたの車が駐車されている間、あなたは継続的なサーベランスを望んでいました。
2. モーション検出機能を使用するには、システム設定で「オートパワーオフ」をOFFに設定してください。カメラがフロントガラスに取り付けられている間、モーション検出をオンにします。カメラの視野の前で動きが検出されると、カメラはビデオの録画を開始し、動きがなくなると録画を自動的に停止します。電池を節約するために、「LCD ON / OFF設定」を1、3、または5分のいずれかに設定して、LCDを自動的にオフにすることもできます。
3. 完全に充電され、ビデオの解像度に応じて内蔵バッテリーが8分以上持続するように設計されていないので、あなたの車のバッテリーにあなたのダッシュカムカメラを「ハードワイヤー」することをお勧めします。死んでいる車のバッテリーから保護されている「Mini-USB Hard Wire Kit」を購入することをお勧めします。基本的に、この機能は、あなたの車のバッテリー電圧が非常に低い動作を開始したときに、カメラの電源を遮断します。あなたはデモビデオのためのYouTubeを「ダッシュカムでハードワイヤーを接続する方法」を検索することができます。

●> システム設定と再生設定

1. システム設定

TFカードを挿入して電源を入れた後、OKボタンを短く押しして録音を一時停止し、Mボタンを短く押ししてシステム設定に入ります。

| | |
|--------------|---|
| 解像度 | 2880x2160 P24 1920x1080 P60 1920x1080 P30 1280x720 P120 1280x720 P60 1280x720 P30 FHD P30+VGA P30 |
| 言語 | English, French, Spanish, Portuguese, Deutsch, Italian, Chinese, Russian, Japanese, Thai, Polish, Vietnamese, Dutch |
| ループ録画 | オフ/3 min/5 min/10 min, デフォルト3 min |
| 録音 | On/Off, default On |
| 日付スタンプ | On/Off, default On |
| GPS スタンプ | On/Off, default On |
| GPS Info | 番号/時間/速度/経度/緯度/方位 |
| スピードユニット | KMH/ MPH, default KM/H |
| 暴露 | "+2.0"; "+1.7"; "+1.3"; "+1.0"; "+0.7"; "+0.3"; "0.0" "-0.3"; "-0.7"; "-1.0"; "-1.3"; "-1.7"; "-2.0" (デフォルト値0.0) |
| タイムラプスビデオ | Off/200ms/500ms/1second/2seconds |
| 動き検出 | On/Off, default Off |
| 駐車モード | On/Off, default Off |
| WiFi | On/Off, default Off |
| WDR | On/Off, default Off |
| G-sensor | Off/High/Medium/Low, default Medium |
| ビープ音 | On/Off, default On |
| 日付/時間 | YY/MM/DD, Press M to save |
| タイム等の設定 | UTC/GMT+1 to UTC/GMT+12 UTC/GMT-1 to UTC/GMT-12 (Default GMT +8) |
| オートパワーオフ | オフ/3分/5分/10分、デフォルトオフ 録画を停止して操作を行わないと、カメラは自動的にオフになります。 |
| LCDオートオフ | オフ/1 min/3 min/5 min, デフォルト3 min |
| 時計のスクリーンセーバー | On/Off, default On |
| 周波数 | 50HZ/60HZ, default 60Hz |
| 収納スペース | Total/Free/Event/Movie/Picture |
| フォーマット | キャンセルまたはOK |
| デフォルト設定 | キャンセルまたはOK |
| バージョン | M06 V# YY/MM/DD |

再生設定

TFカードを入れて電源を入れたら、OKボタンを押して録音を一時停止し、Mボタンを長押しすると再生モードになり、Mを短く押しすと再生設定に入ります。

| | |
|---------|-----------------------------------|
| 削除 | 現在の削除/すべての削除 |
| 保護する | 現在のロック/現在のロック解除/すべてのロック/すべてのロック解除 |
| スライドショー | 2s/5s/8s |

●> WIFI 紹介

1. ダウンロードLuckyCam APP

App StoreまたはGoogle Play

Storeで「LuckyCam」を検索してアプリを見つけ、ダウンロードしてインストールします。



注意:

AppleロゴとApp Storeは、Apple Inc.の商標です。

GoogleロゴとGoogle PlayはGoogle Inc.の商標です。

1. スマートフォンとAZDOME M06ドライブレコーダーを接続する:

• 緊急ロックボタンを2秒間押し続けると、AZDOME Dash Camから最初にオンになります。ダッシュカムからWiFiルーター (信号) がオンになります。

• スマートフォンから無線接続: 携帯電話の設定> WiFi> M06ダッシュカムのWiFiを選択 (WiFi名SSID: M06_*****、パスワード: 12345678) に移動します。

• LuckyCam

Appを開いて、ライブビデオストリームを表示したり、録画したビデオを表示/ダウンロードしたり、設定を変更したりすることができます。

• 完了するとき: WiFiを切断するには、「緊急ロック」ボタンを2秒間押し続けてビデオモードに戻ります。

P.S. (あなたはあなたの携帯電話でAZDOME M06 Dash Camを接続するときにあなたの電話アプリでしか操作できません。あなたの電話がAZDOME M06 Dash Camの近くにいることを確認してください)

●> GPS、車のDVプレーヤーのインストール

GPSプレーヤーソフトウェアインストールと使用説明:

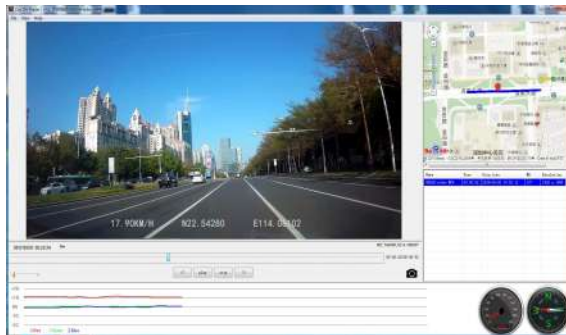
• GPSトレースでビデオを表示する前に、まずAZDOME M06ドライブレコーダーからCar DV Playerをインストールしてください。

• FREE Car DV Playerをダウンロードするにはwww.azdome.hk/downloads.htmlをご覧ください。

• [ファイル]メニューの[開く]をクリックして、再生したいビデオファイルを選択します。また、ビデオファイルをビデオ再生エリアにドラッグアンドドロップしてビデオを再生することもできます。

• GPSプレーヤーでGoogleマップを正常に読み込めない場合は、次の操作を行ってください。1. 管理者としてGPS Playerを実行します (Car DV Playerを右クリックし、管理者として実行を選択します) 2. Internet ExplorerをIE 10以上にアップグレードする3.

GPSプレーヤーがまだ動作しない場合は、service@azdome.hkまでご連絡ください。



P.S. (この高いビットレートの動画を再生する為には、「Windows Media Player」を使用しないでください。) 無料のCar DV Playerまたは無料のVLC Media Playerをダウンロードして、AZDOME Dash Camからより高品質なビデオをストリーミングすることをおすすめします。)

●▶ 質問

Q1: ドライブレコーダーは起動するできません?

最初に使用する前に2時間充電してください。メモリアカードが正しく挿入されていることを確認してください。カメラの電源を入れる電源ケーブルを差し込み、録音を開始してください。

Q2: 日付を設定しても私の日付は変わらないのですか?

カメラのシステム設定>タイムゾーン設定>正しいGMT値を設定>OKをクリックしてください。GPS信号があるたびに、常に正しい日付と時刻が表示されます。

Q3: カメラは自動的に頻繁にON / OFFする?

カメラをリセットしてください。「モーション検知」がOFFに設定されていることを確認してください。また、「オートパワーオフ」「駐車モード」もOFFに設定されていることを確認してください。

Q4: 私はPCでビデオ再生が遅れていますか?

ビデオファイルの高ビットレートバージョンを表示しています。一般的なコンピュータ構成では、より高速なデータ処理に問題がある可能性があります。ビデオを低い解像度で録画して、もう一度試してください。問題が解決しない場合は、お問い合わせください。

Q5: カメラは熱くなりますか?

カメラが少し熱くなるのは正常です。ビデオ解像度が高いため、ダッシュカムは使用中に熱くなることがあります。(140°F / 60°Cを超えない)。

Q6: ビデオがぼやけていますか?

カメラのレンズがきれい、フロントガラスに汚れがないことを確認してください。

Q7: カメラの凍結/遅れまたはクラッシュ?

クラス10以上のMicro SDメモリアカードを使用していることを確認してください。ペーパークリップをリセットに挿入します。別のMicro Sdカードを使用して再起動し、再試行してください。

Q8: カメラ多くのビデオを自動的にロックしますか?

Gセンサーの設定を増やしてください。

より高い設定を選択すると、小さなバンプでもトリガーできます。

この設定は、運転中の車やトラックの種類、停車状況や道路状況に基づいて車/トラックが作り出す振動の程度によって異なります。

Q9: エラー/メッセージ「カードフル」?

カードをフォーマットするには、システム設定>フォーマット>OK>選択を選択してOKをクリックします。次に、システム設定>ループ録音>1分、3分、5分のいずれかを選択します。これによりループ録音機能がオンになり、何度も何度も録音を続けます。

Q10: メモリアカードがカメラに取り付けられていても、「メモリエラー」または「Micro SDカードを挿入してください」と表示されているカメラはありますか?

1.メモリアカードがClass 10、U3以上で、Walmart、target、best buy、Ship&Sold by Amazonなどで購入されたものであることを確認してください(オンラインで多くの偽のカードがあります。それは偽物です。

2.カメラのシステム設定とメモリアカードのフォーマットを行ってください。

メモリアカードをフォーマットした後、電源ボタンを押し続けてカメラの電源を切ってください。

電源コードのプラグを抜き、電源ケーブルを再度差し込み、カメラが自動的にオンになり、録画が開始されるはずですが。

●▶ 免責事項

Car DashCam

で撮影したビデオ/写真は参考のためだけのもので、異常な状況でデータが失われたために一切責任を負いません。特別バージョン: デバイスは通常の記録状態のファイルを記録します。しかし、以下の状況では、ファイルが破損または紛失することになります。

1.録画中にTFカードを抜き、最終的なビデオファイルが破損または消失します。

2.録画ステータスに不正なブラックアウトがあると、最終的なビデオファイルが破損または失われます。

3.録画状態で破壊的な衝突が発生すると、ビデオおよびオーディオファイルが破損または消失します。

4.メモリアカードが紛失して記録状態に破壊的な衝突があると、ビデオファイルとオーディオファイルが破損または失われます。

●▶ 保証および顧客サポート

当社は、購入日から1年間、製品の限定保証を提供し、材料および職人の欠陥がないことを保証します。

質問、サポート、または保証の請求については、お住まいの地域に対応したservice@azdome.hkまでお問い合わせください。オンラインオリジナルオーダー番号と製品モデルを記載してください。

●>> **重要**

保証サービスには、オリジナル購入の証明書(オンライン受注も可)が必要です。AZDOMEは、AZDOMEから直接購入した製品のアフターサービスのみを提供することができます。別の販売元から購入した場合は、サービスまたは保証の問題について直接連絡してください。