

Monocrystalline Photovoltaic Module »



MEPV 120 HALF-CUT

BLACK - STANDARD - BICOLOUR »
375 / 380 Wp

QUALITY »



120 cells
Half-Cut monocrystalline



MBB technology
Better light absorption



Fire resistance
Maximum protection



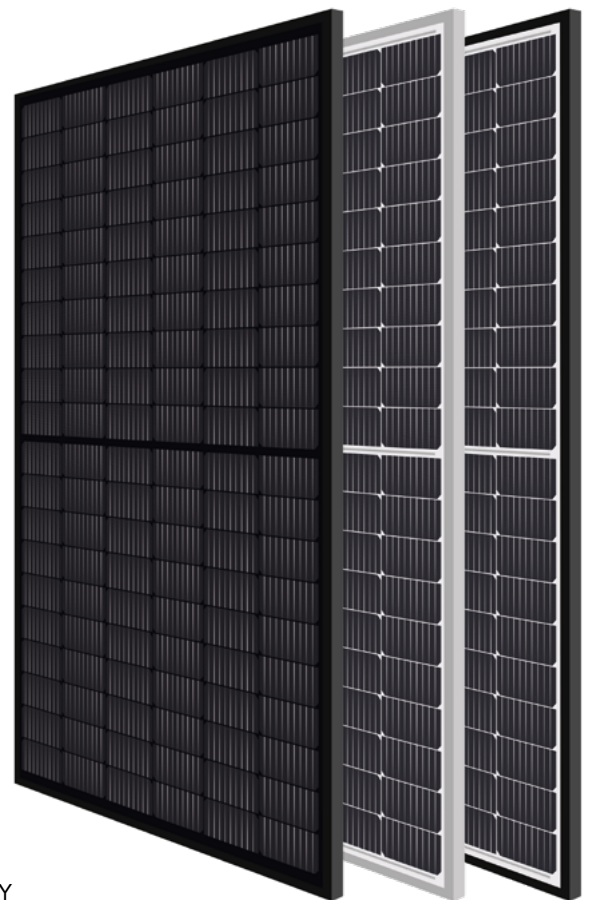
Long durability
Continuous performance



Avoid losses
Better shading tolerance



Efficiency
Over 20% efficiency



WARRANTIES »

15 YEARS PRODUCT WARRANTY

25 YEARS PERFORMANCE WARRANTY
Linear Warranty

PRODUCT WARRANTY
for Premium Partners

+5
YEARS

CERTIFICATES »



TECHNICAL FEATURES »

Eurener_MEPV 120_HALF-CUT_375-380Wp_2022EN

FRAME

Black / Silver anodized aluminium

Robust and resistant to corrosion

CONNECTION BOX AND PROTECTIONS

Sealed, robust and wide for heat dissipation

IP67/IP68 according to IEC 60529

Diodes by-pass built-in (3/6)

Connector MC4 compatible

Application Class A. Safety Class II

Cables 1000 mm ($\pm 20\%$) length and 4 mm² section

FRONTAL

3,2 mm thick tempered glass with high strength and ARC

Textured, extra-clear with low iron content

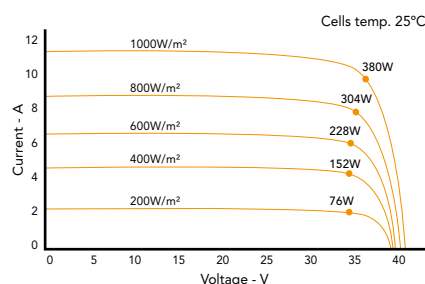
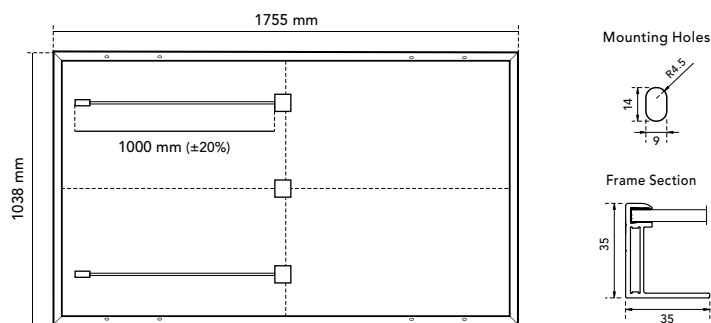
Frontal load (snow) 5.400 Pa | Back load (wind) 2.400 Pa

SOLAR CELLS

120 [2x(10x6)] cells monocrystalline silicon

WEIGHT, DIMENSIONS AND PACKAGING

19,2 Kg | 1755 x 1038 x 35 mm ($\pm 1\%$) | Pack: 858 pcs-truck



ELECTRIC DATA »

BLACK - STANDARD - BICOLOUR	MEPV 375	MEPV 380
STC: 1000 W/m ² , module temperature 25°C, AM 1,5		
Nominal power. P _{mpp}	375 Wp	380 Wp
Tolerance. P _{mpp}	0 / +5 W	0 / +5 W
Area of the module	1,82 m ²	
Module efficiency	20,60 %	20,87 %
I _{sc}	11,46 A	11,55 A
V _{oc}	41,50 V	41,70 V
I _{mpp}	10,95 A	11,03 A
V _{mpp}	34,28 V	34,47 V
NOCT: 800 W/m ² , ambient temperature 20°C, AM 1,5		
Nominal power. P _{mpp}	282,25 W	291,97 W
I _{sc}	9,23 A	9,30 A
V _{oc}	39,18 V	39,57 V
I _{mpp}	8,76 A	8,88 A
V _{mpp}	32,22 V	32,88 V
Operating parameters. Temperature coefficients		
Maximum voltage	1000 - 1.500 V	
Maximum series fuse rating. I _r	20 A	
α I _{sc}	0,04 % / °C	
β V _{oc}	- 0,29 % / °C	
γ P _{max}	- 0,37 % / °C	
Temperature range	- 40 °C ~ + 85 °C	
NOCT	42 \pm 2 °C	

NOTE: Read the instruction manual of this product and follow the indications STC. Values are valid for: 1000W/m², AM 1,5 and cells temperature of 25°C. Measurement tolerance $\pm 3\%$ (AAA Solar simulation -IEC 60.904-9-). All the information of this brochure may be amended without notice by Eurener. Eurener_MEPV 120_HALF-CUT_375-380Wp_EN_MAR2022

1997 to 2022
25
TH
ANNIVERSARY

www.eurenergroupp.com
contact@eurenerworld.com
+34 960 045 515
Calle Colón, 1-23
46004, Valencia, Spain

25 years manufacturing a better world

Since 1997 our main purpose has been to supply quality and long-lasting photovoltaic modules that allow us and future generations, to continue generating clean energy to take care of our planet.