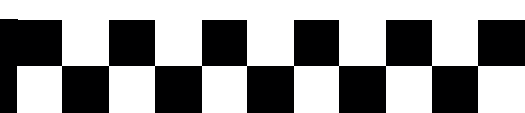
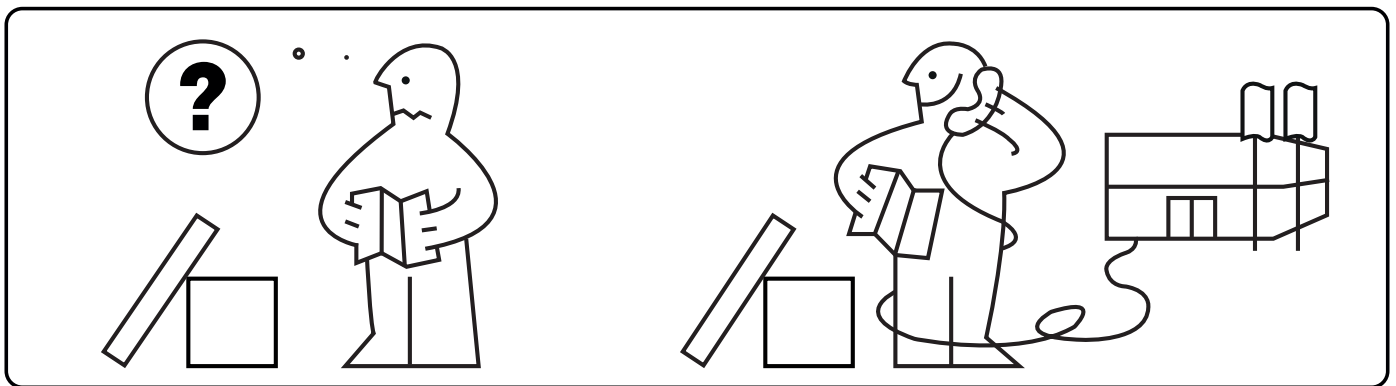
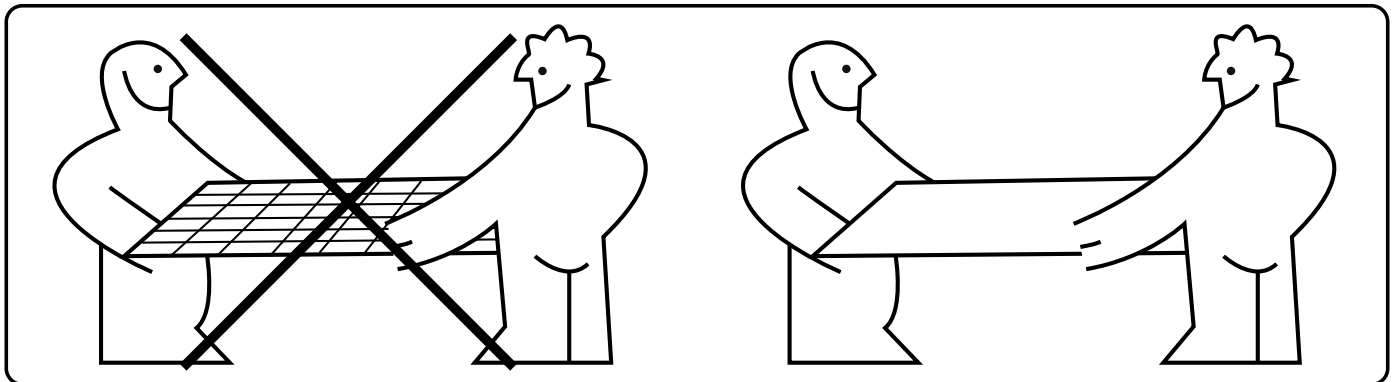
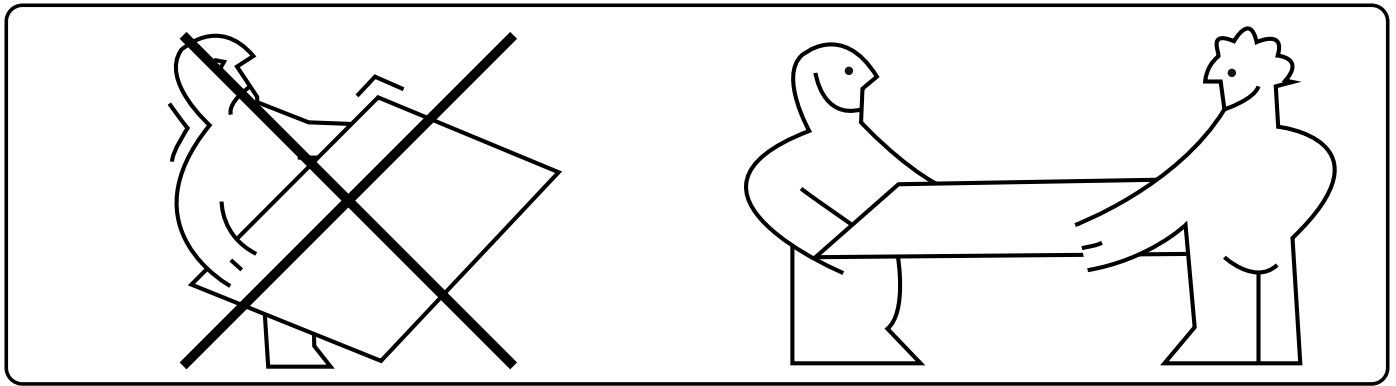
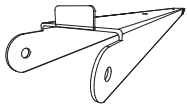
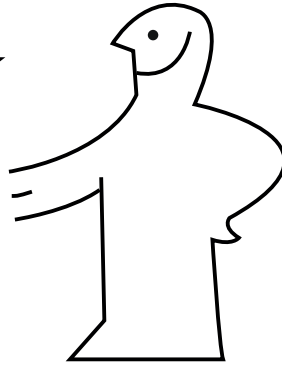
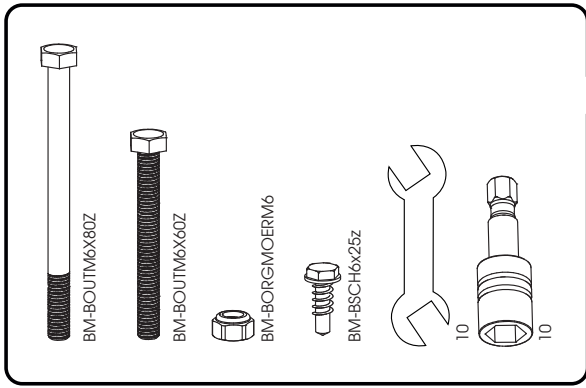
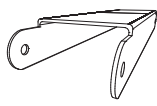


**SUNSTRUCTION
ZONNESCHANS
HANDLEIDING**

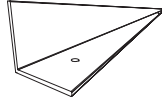




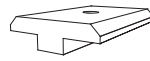
UB-KZ



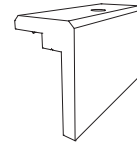
UB-KS



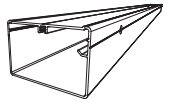
HL-K



AO-TK

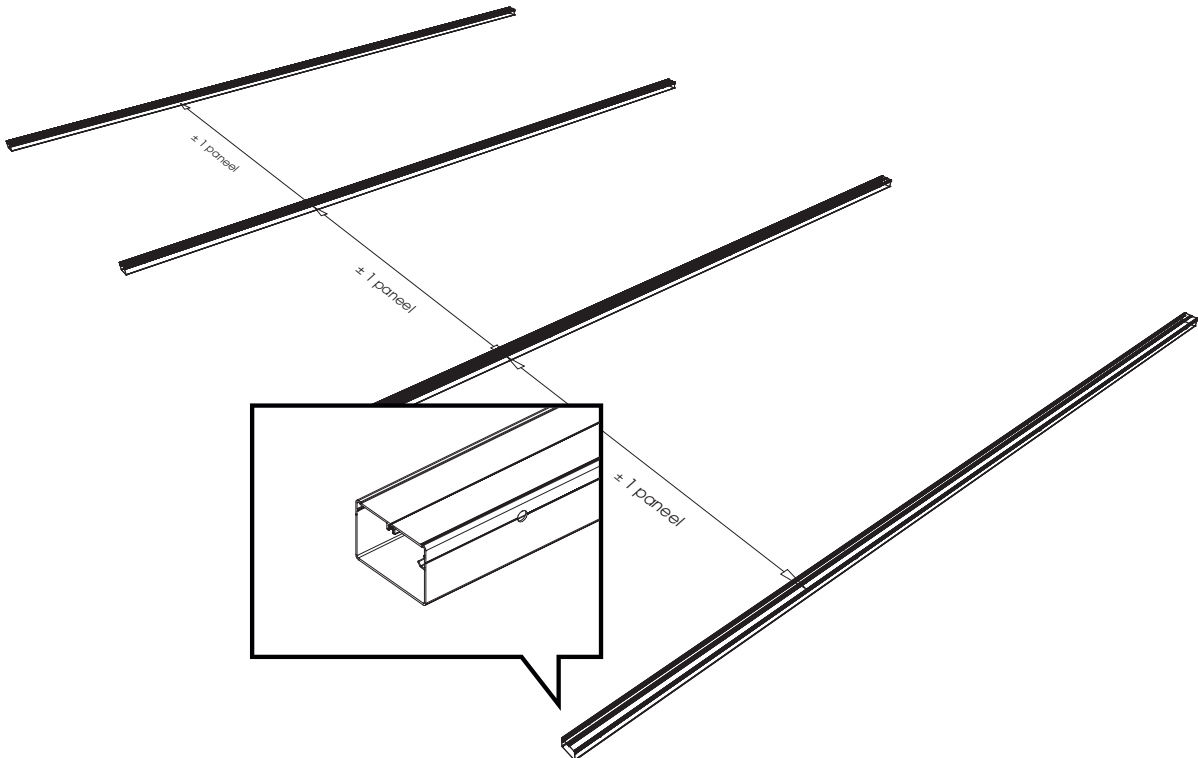


AO-EK

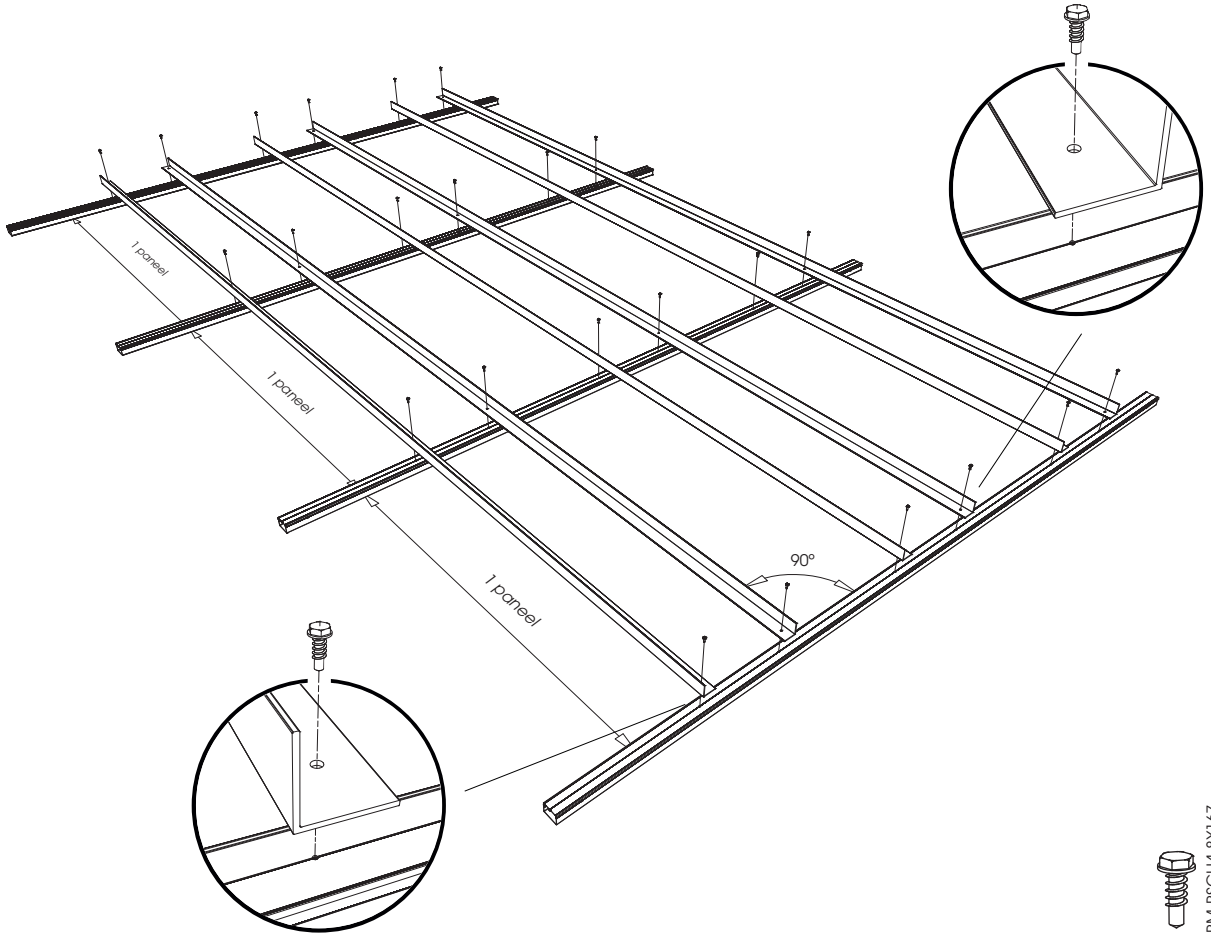


KP-KZ

1

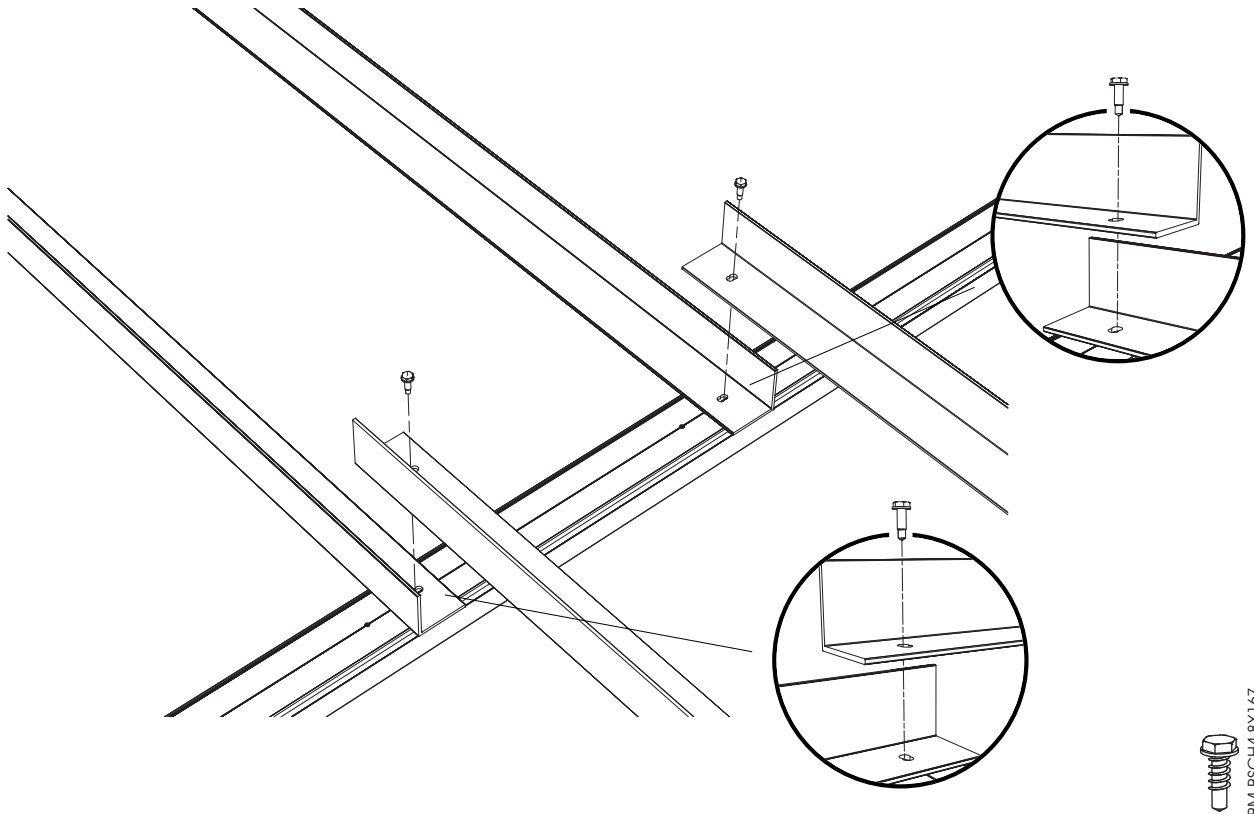


2



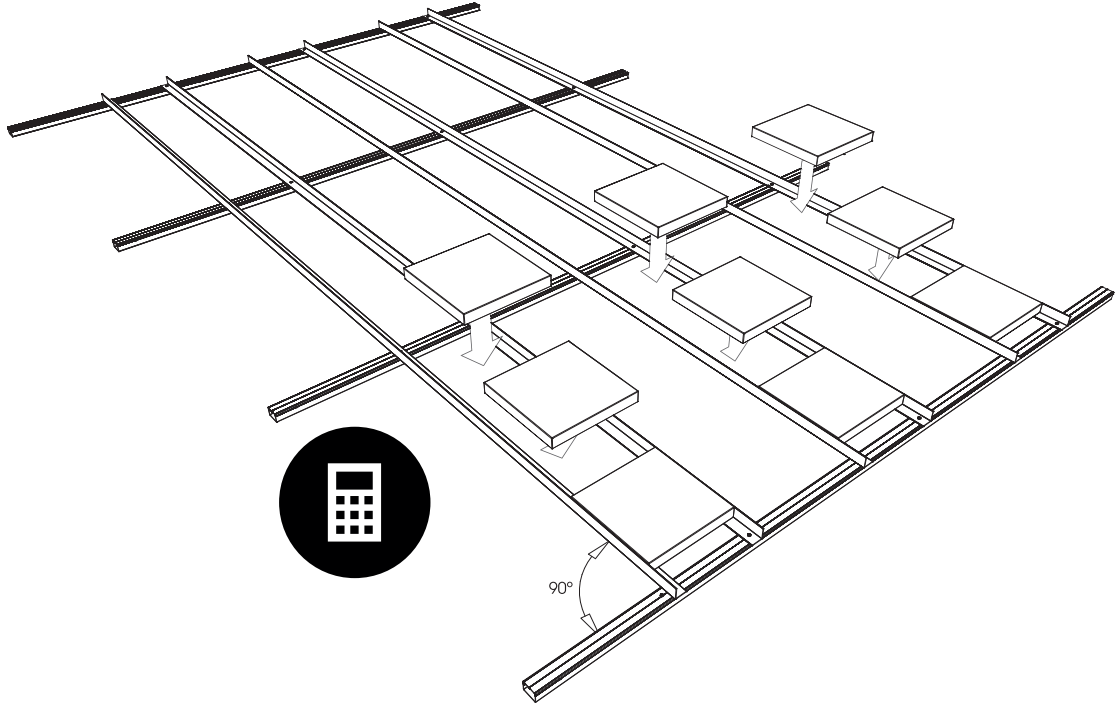
BM-BSCH4.8X16Z

4

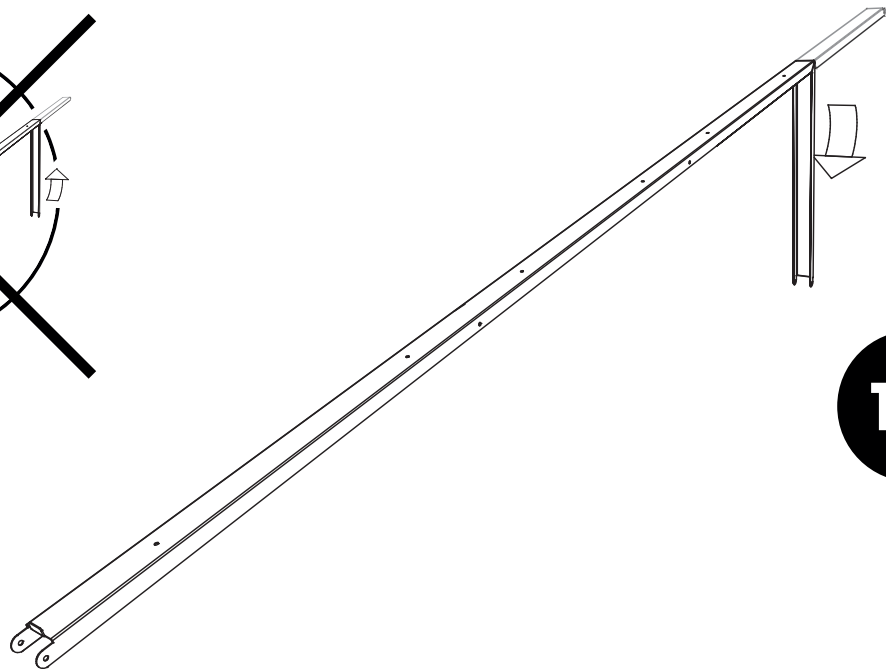
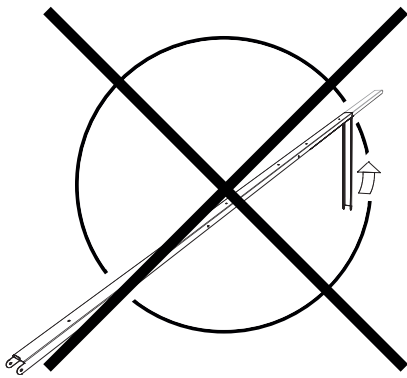


BM-BSCH4.8X16Z

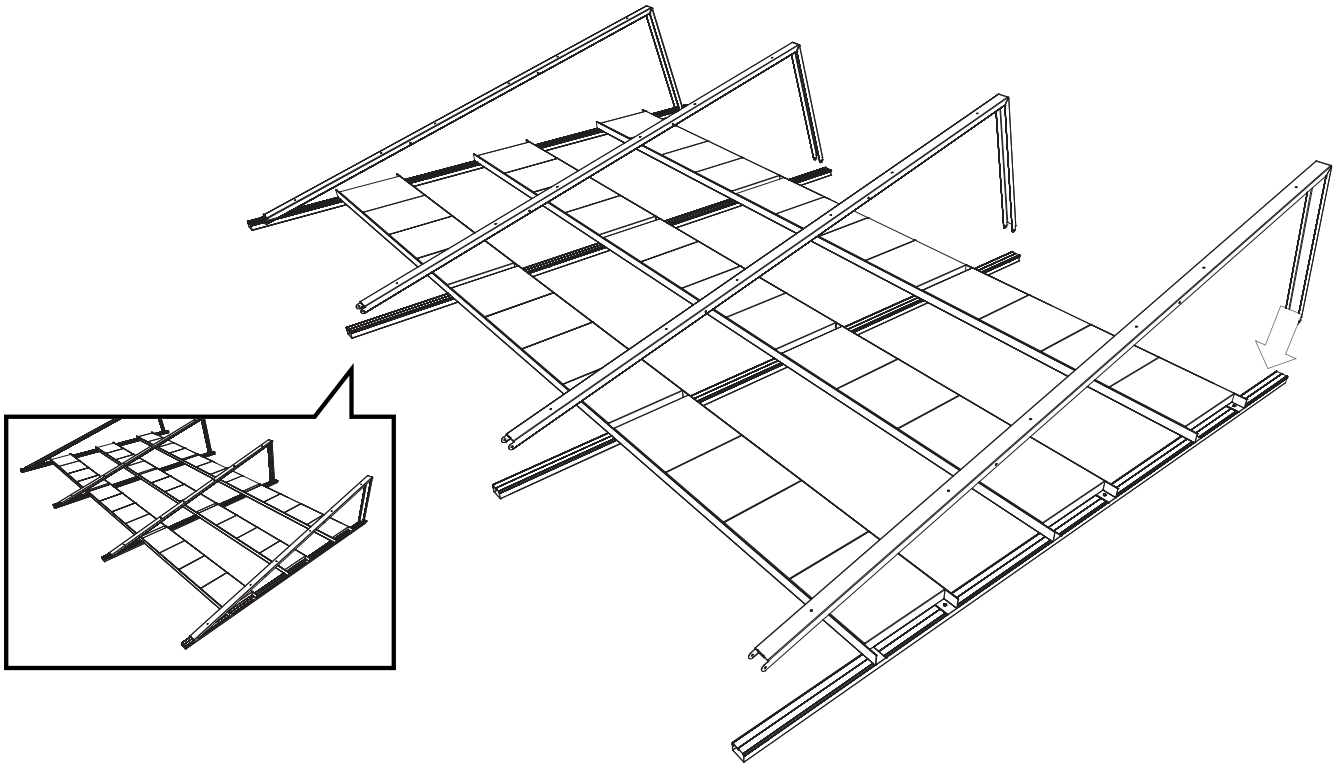
3



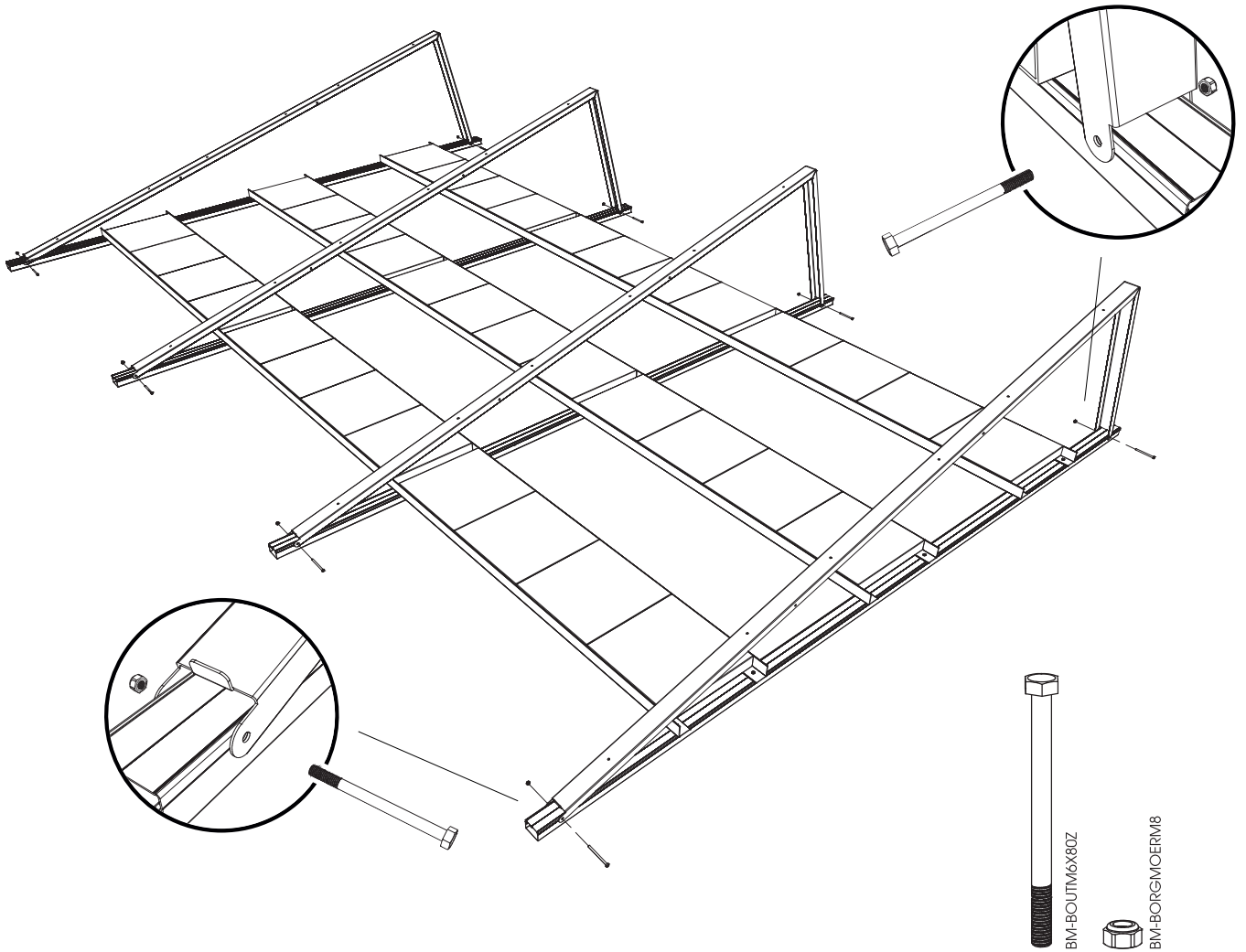
4



5



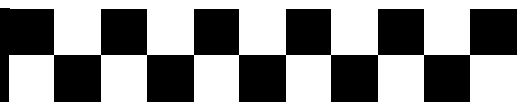
6



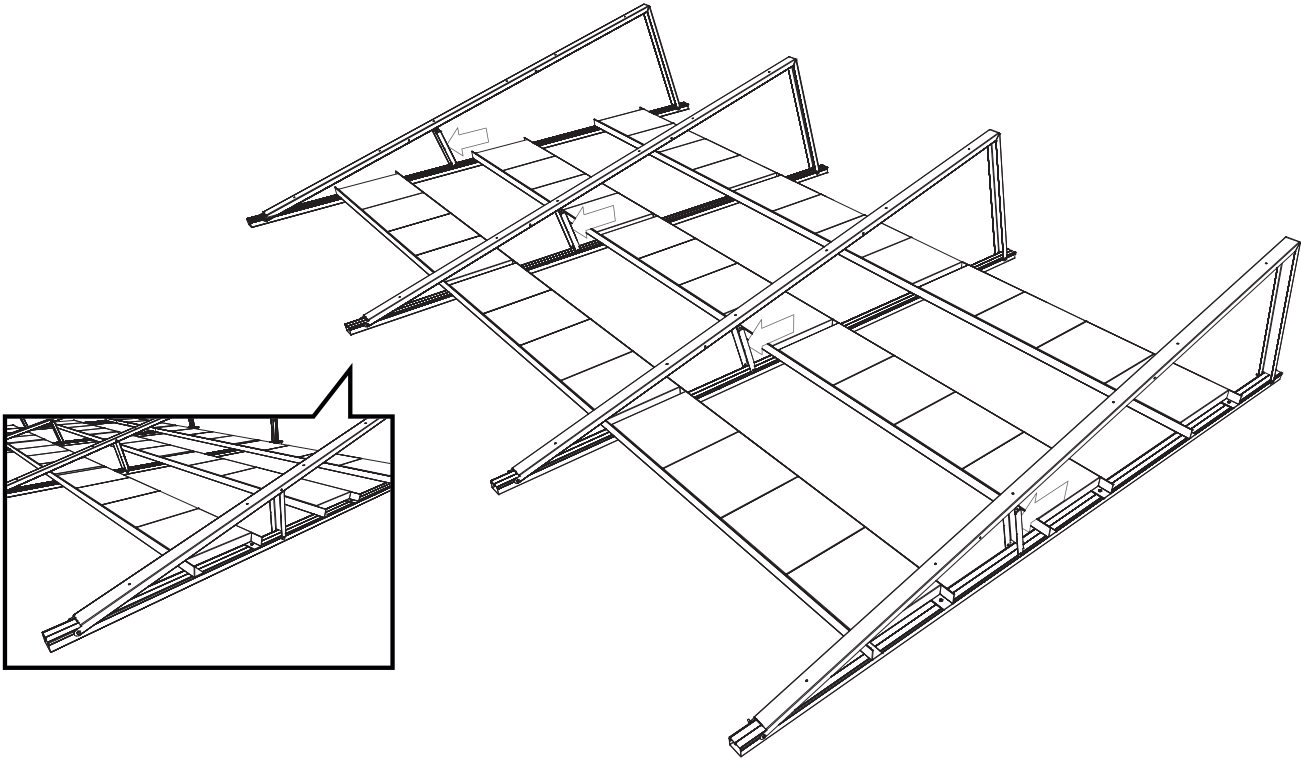
6

BM-BOUTIM6X80Z

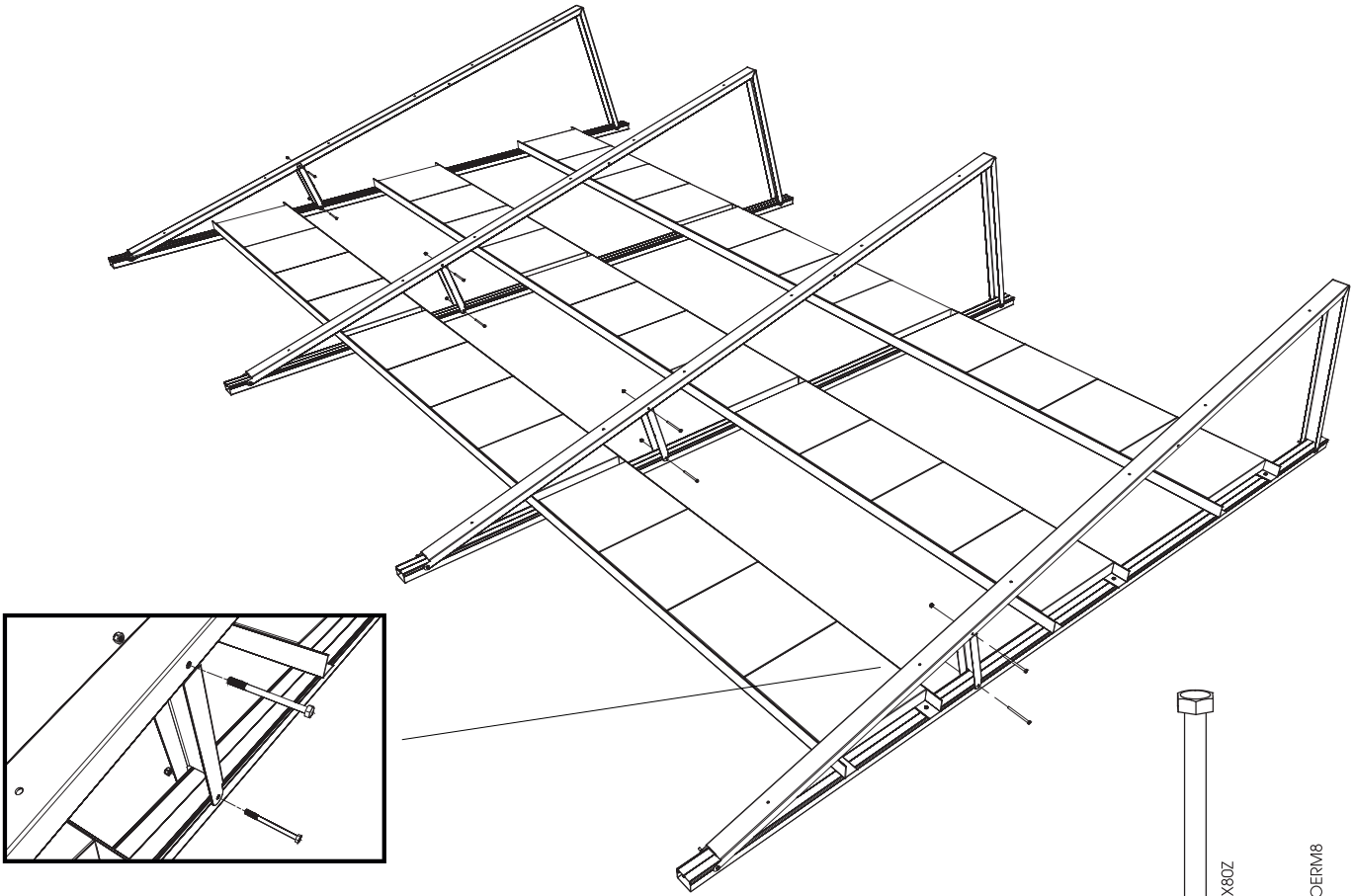
BM-BORGMCERM8



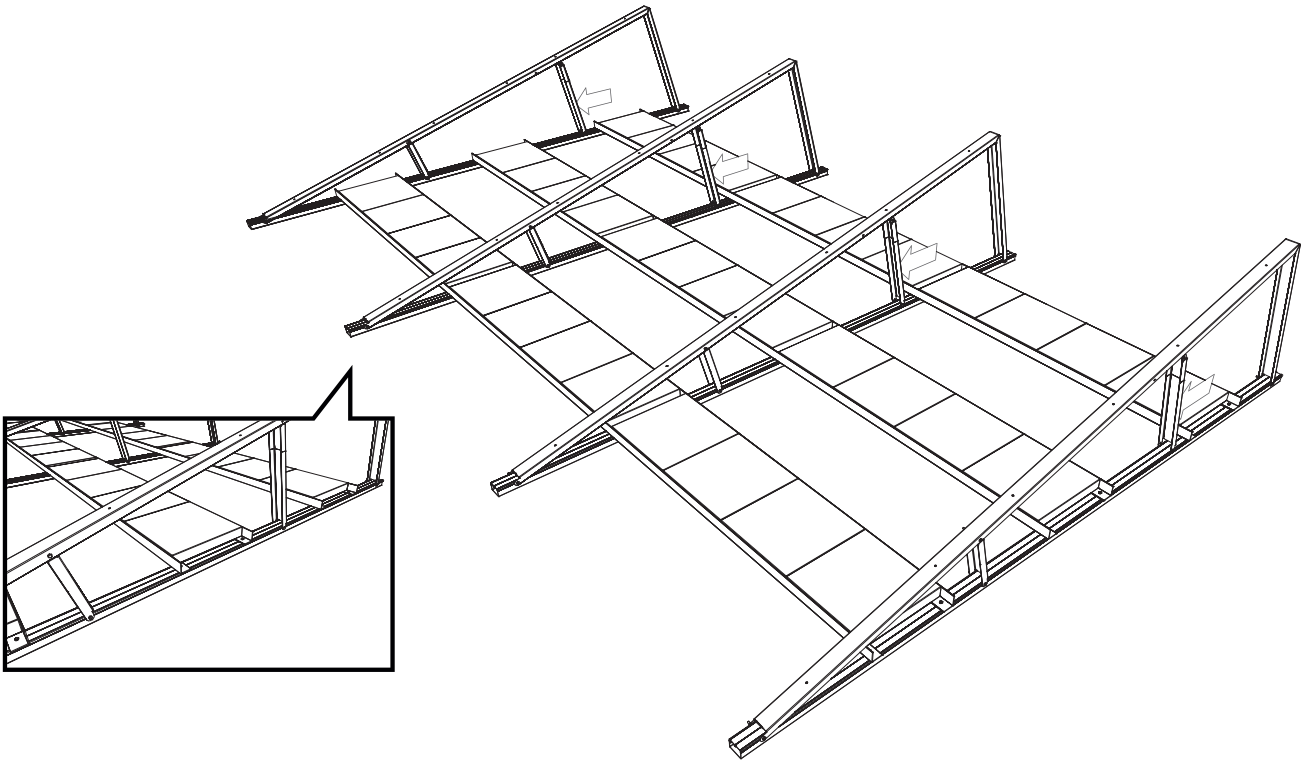
7



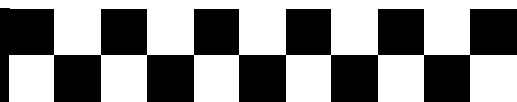
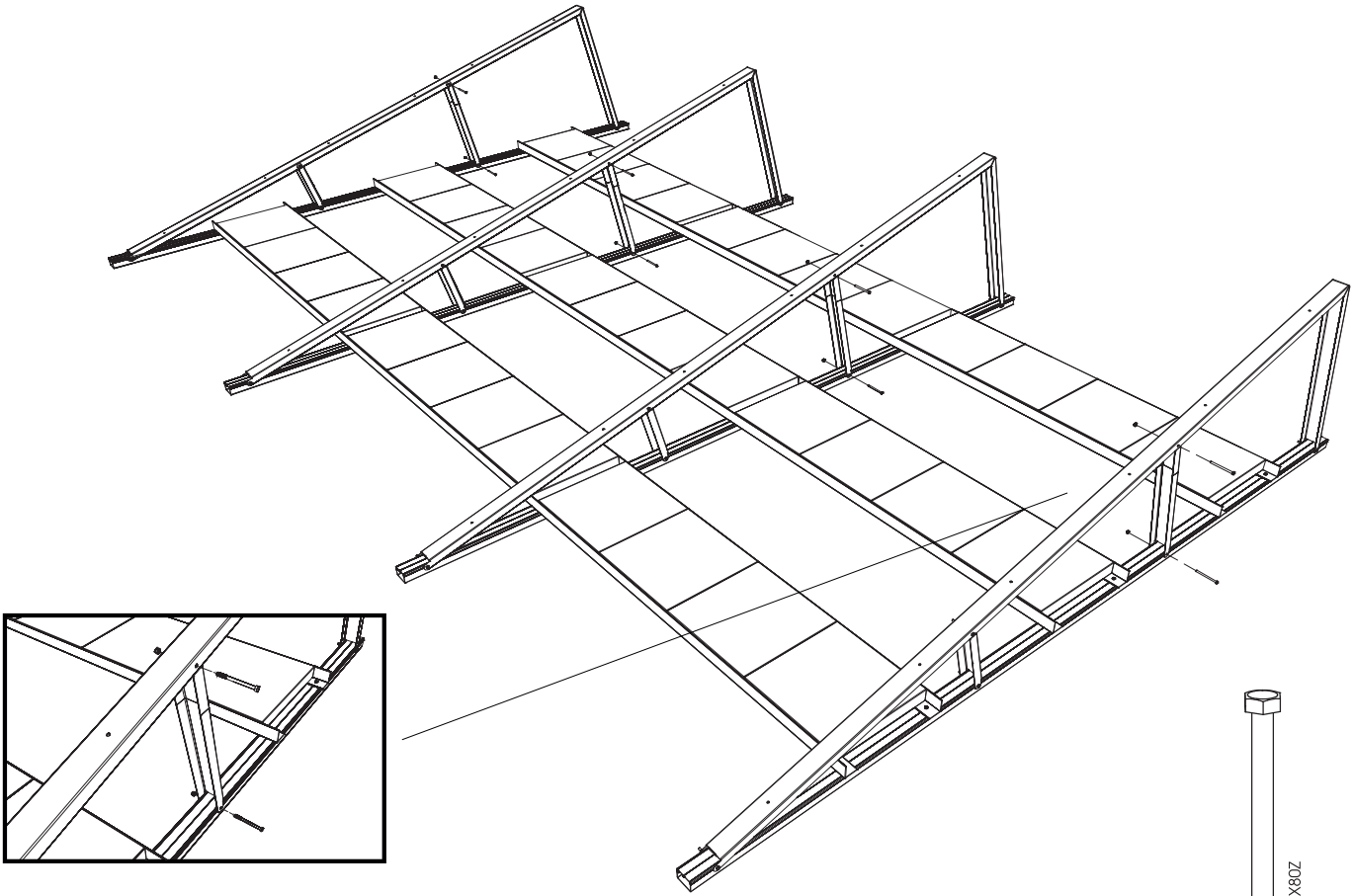
8

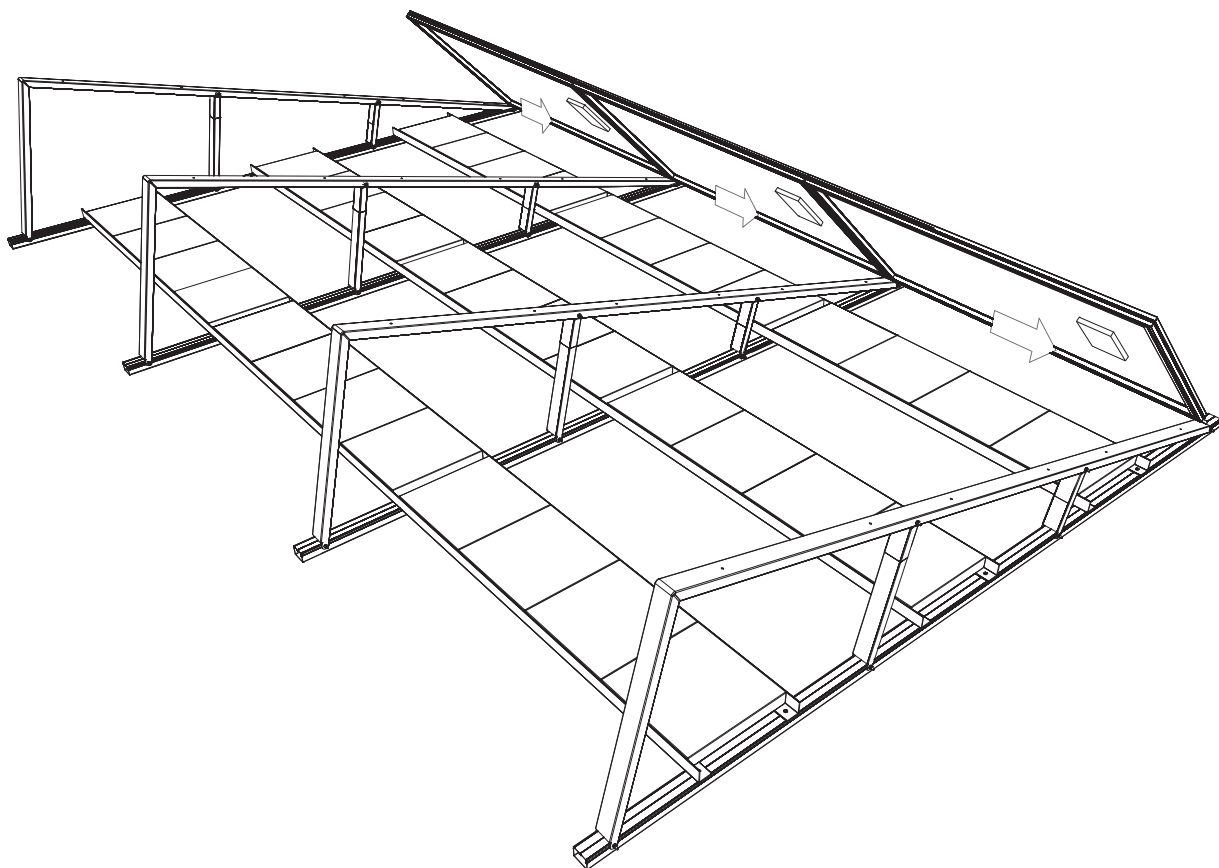
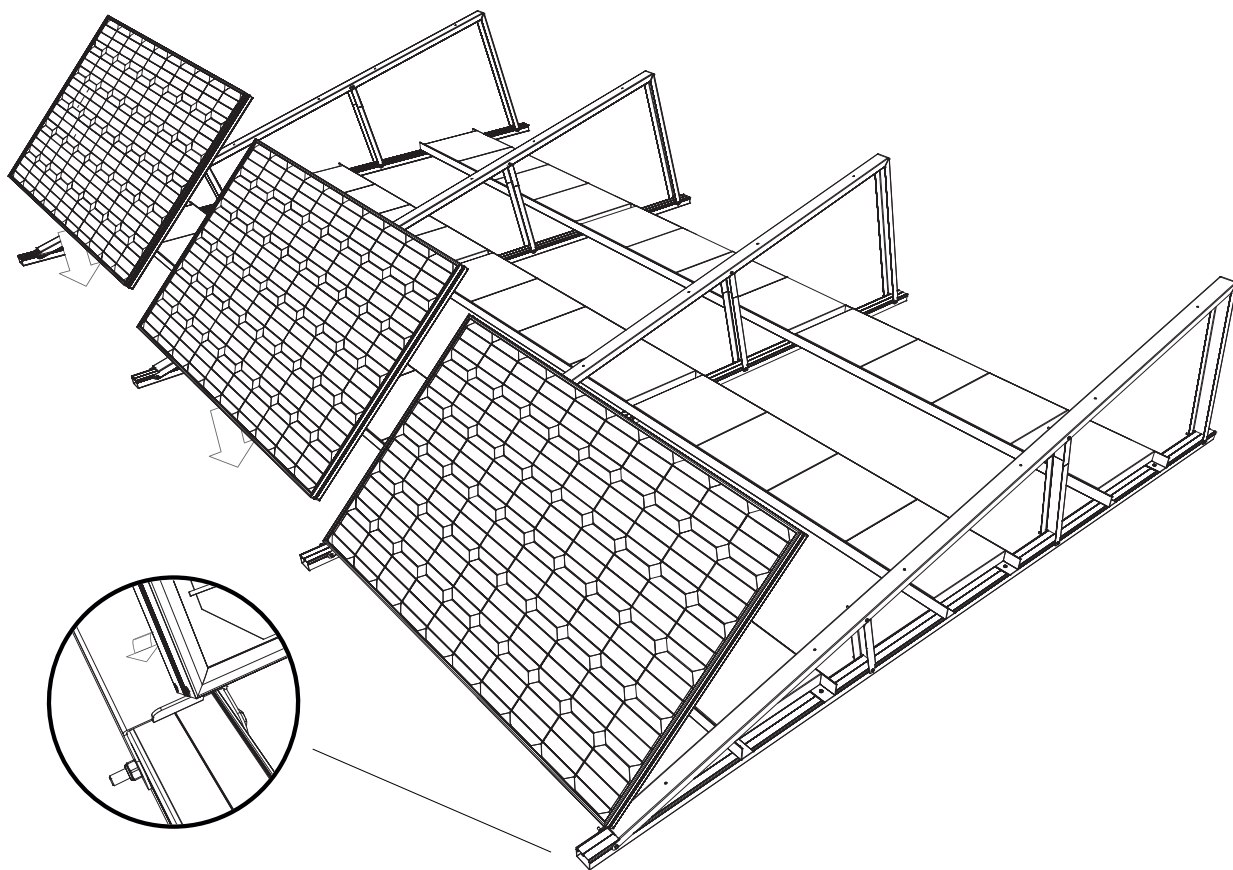


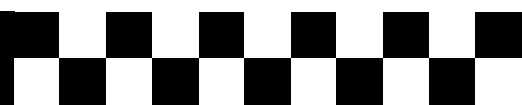
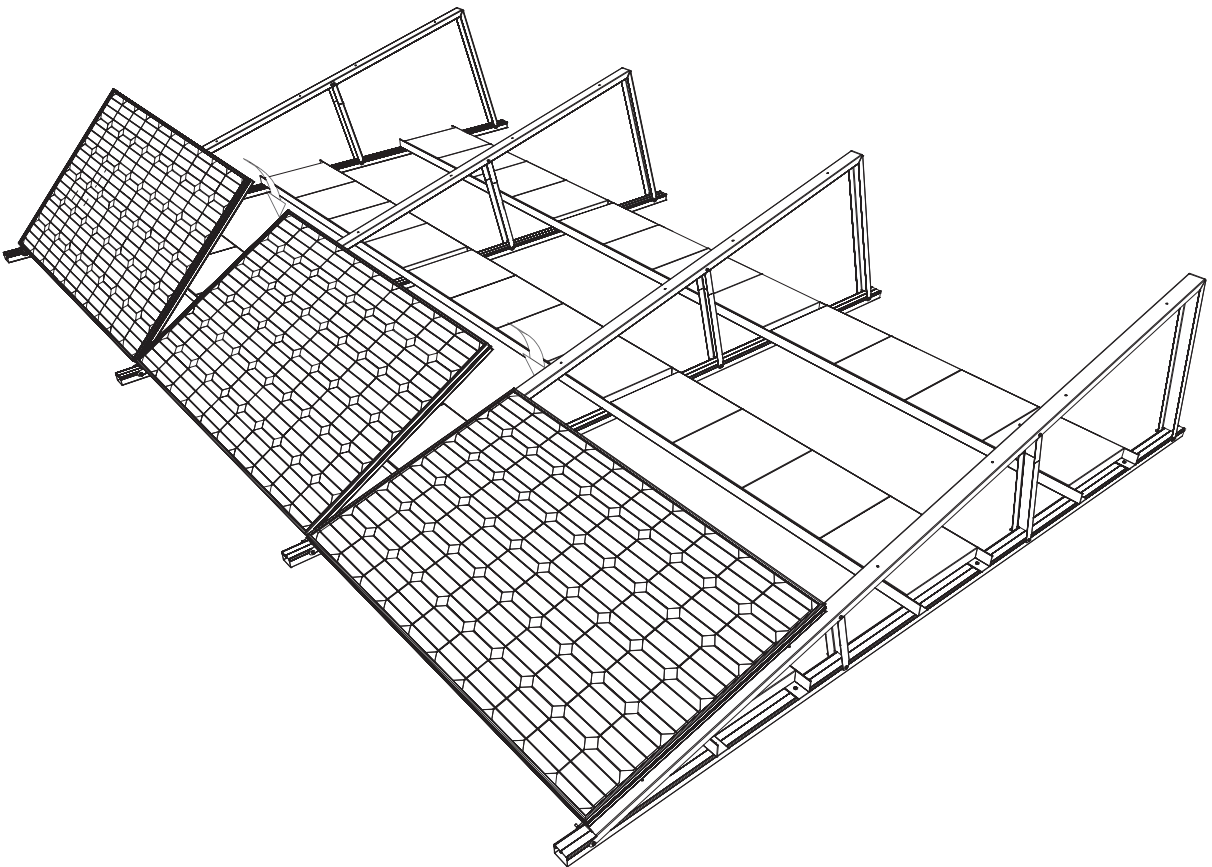
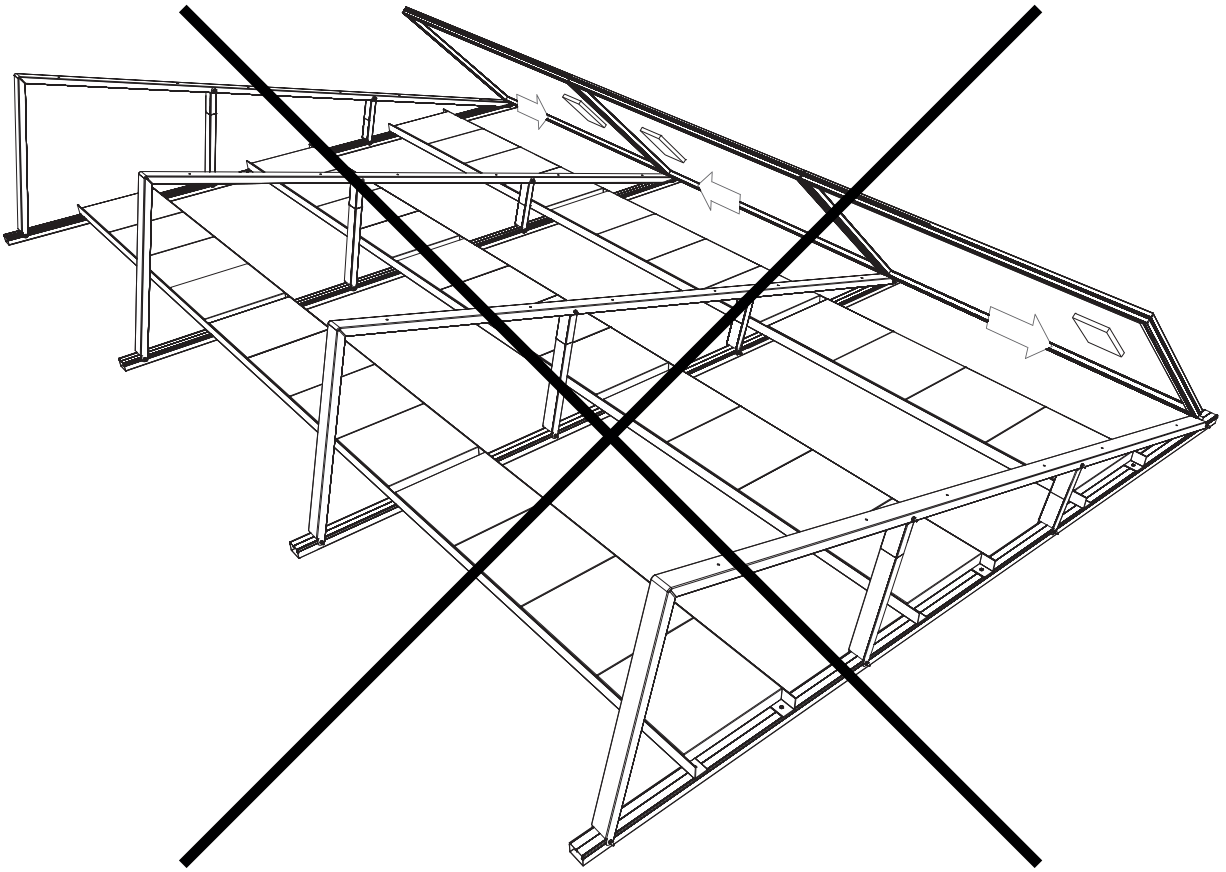
9



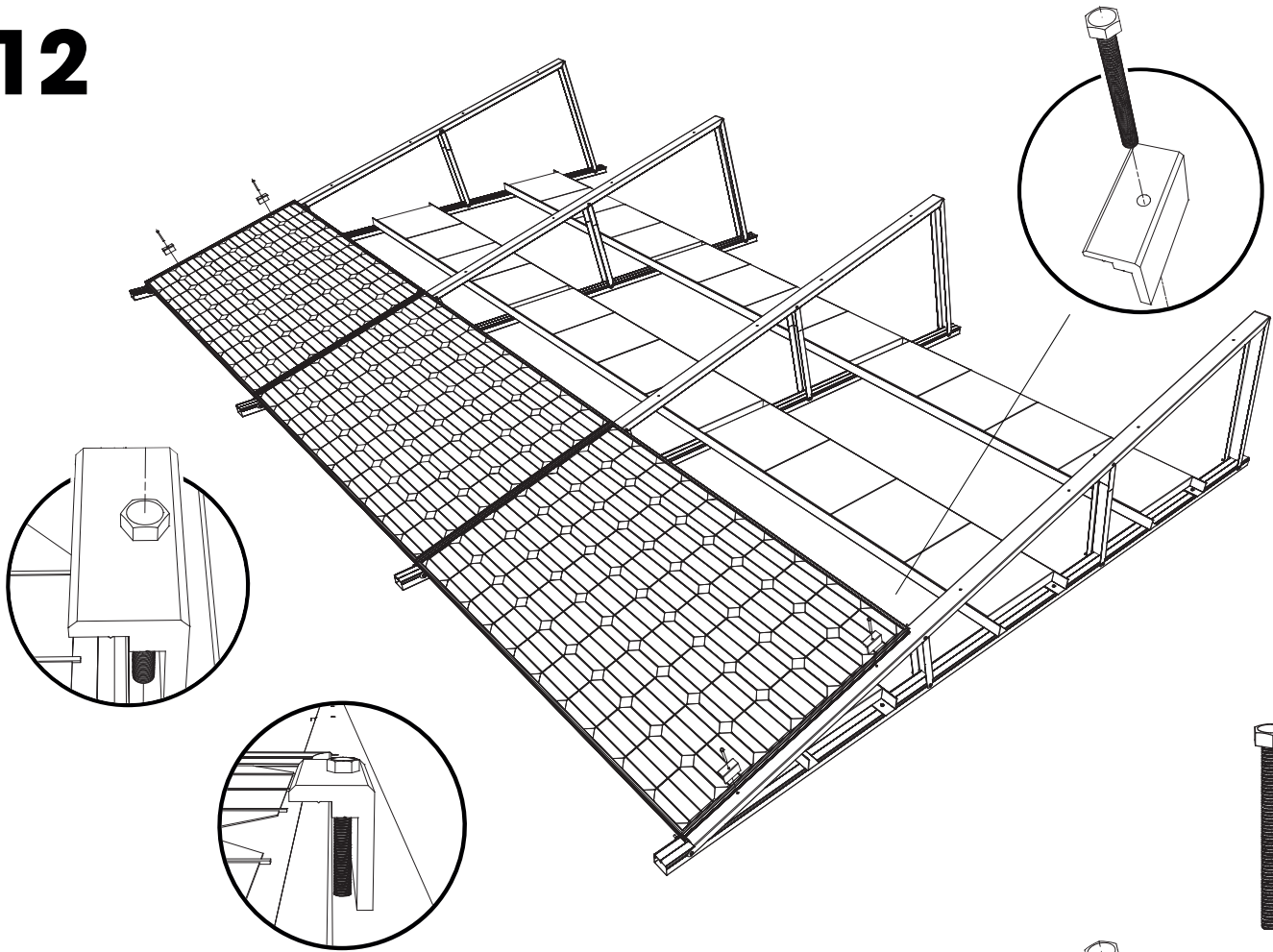
10



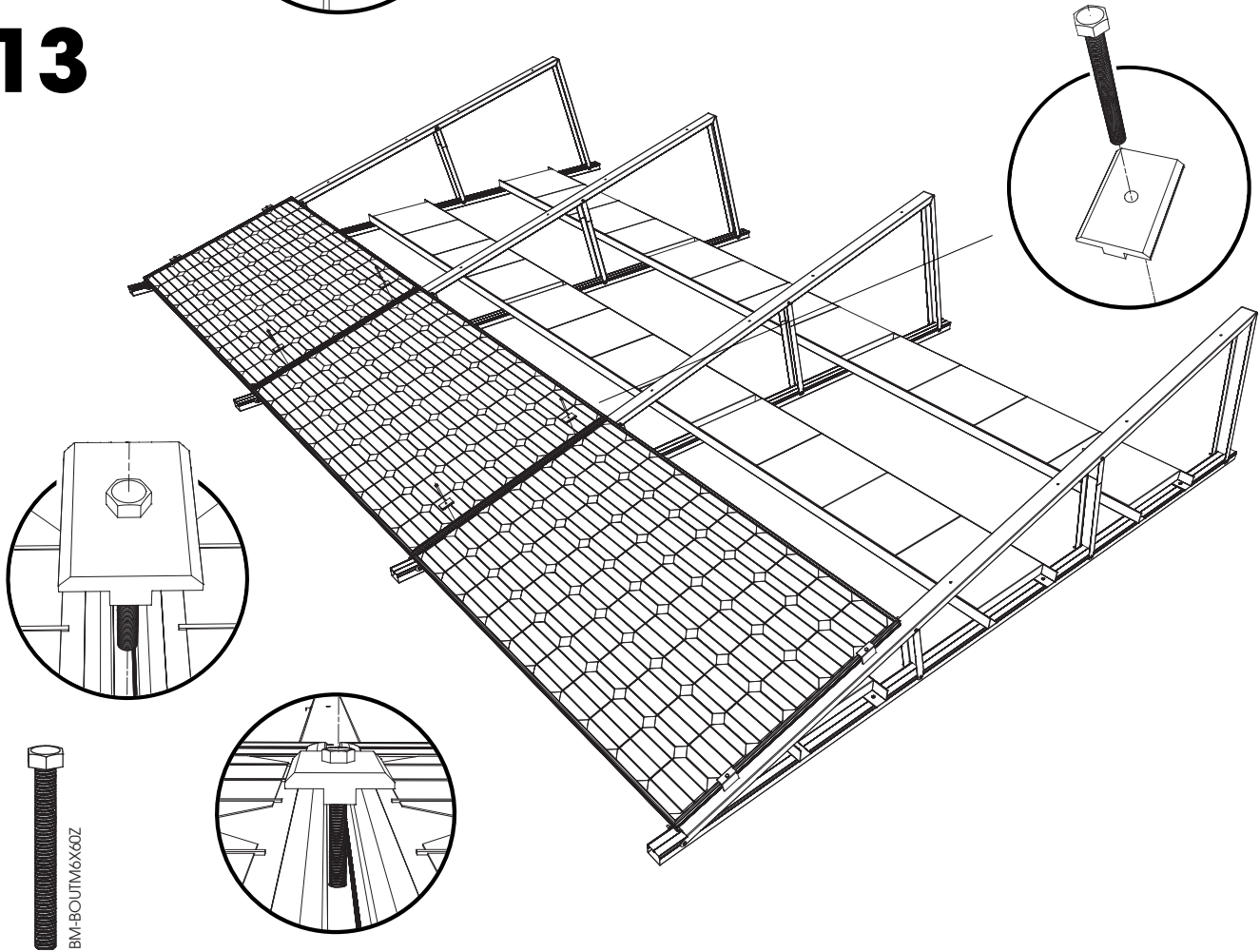




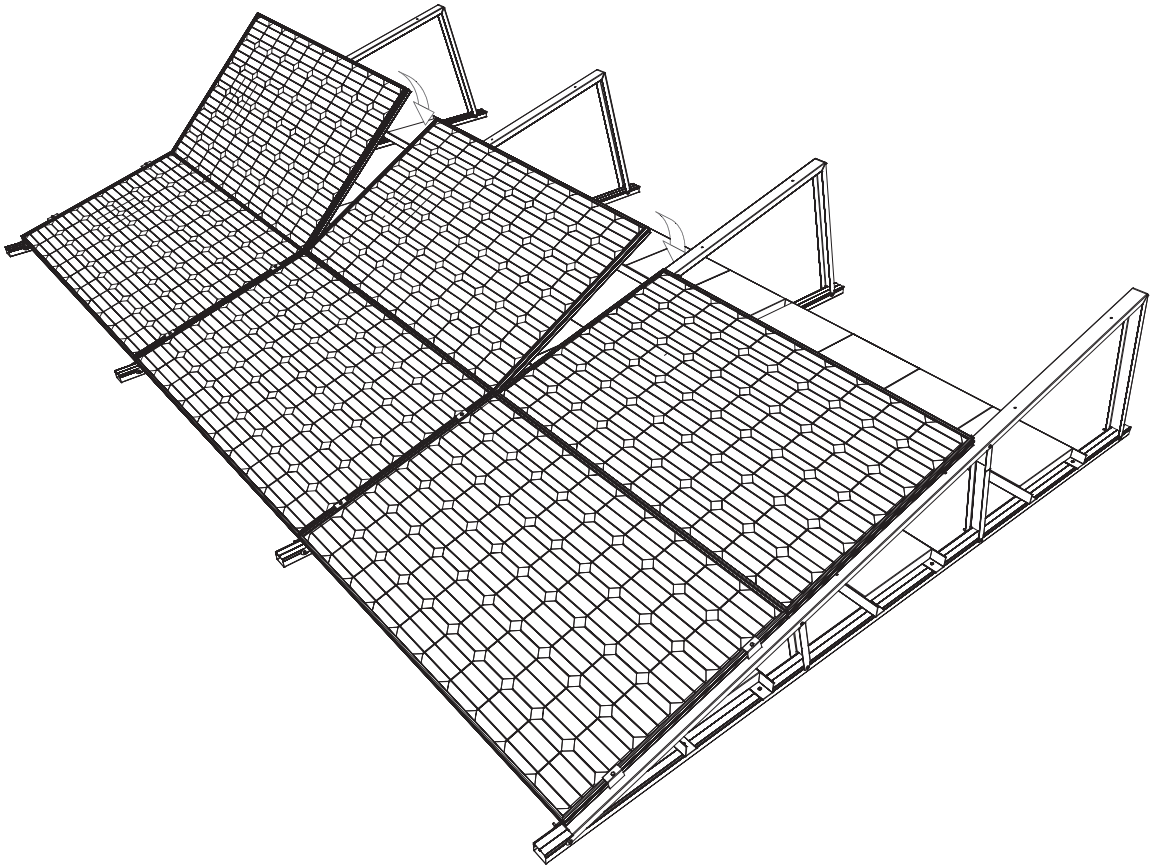
12



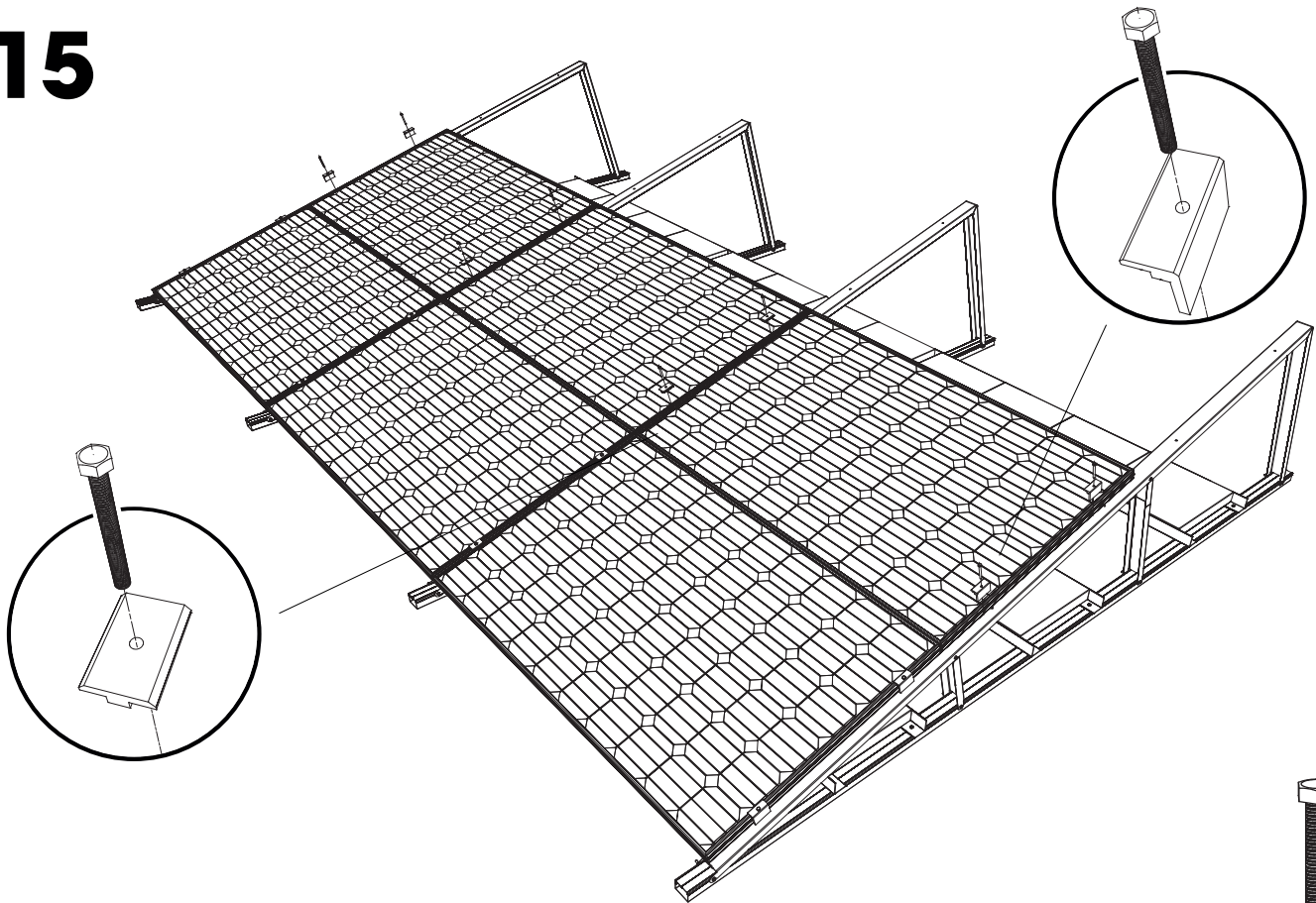
13



14



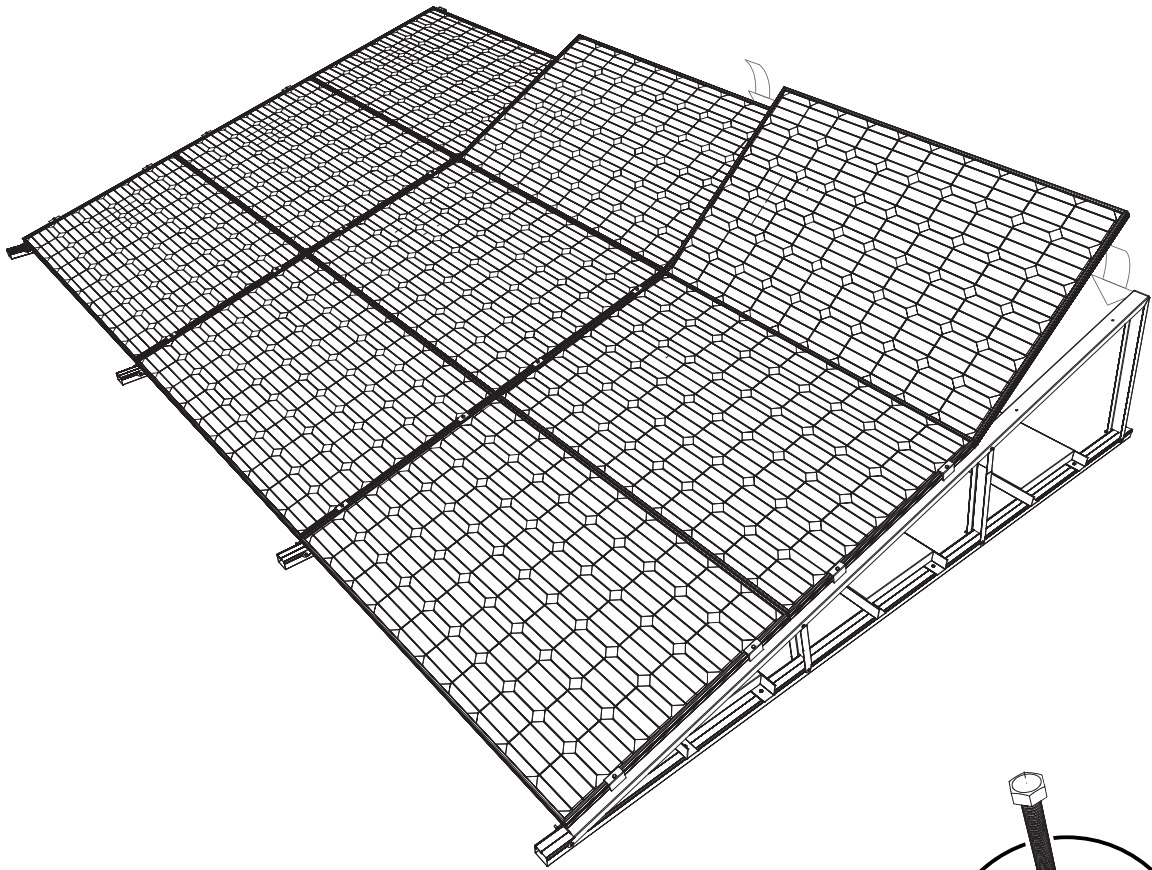
15



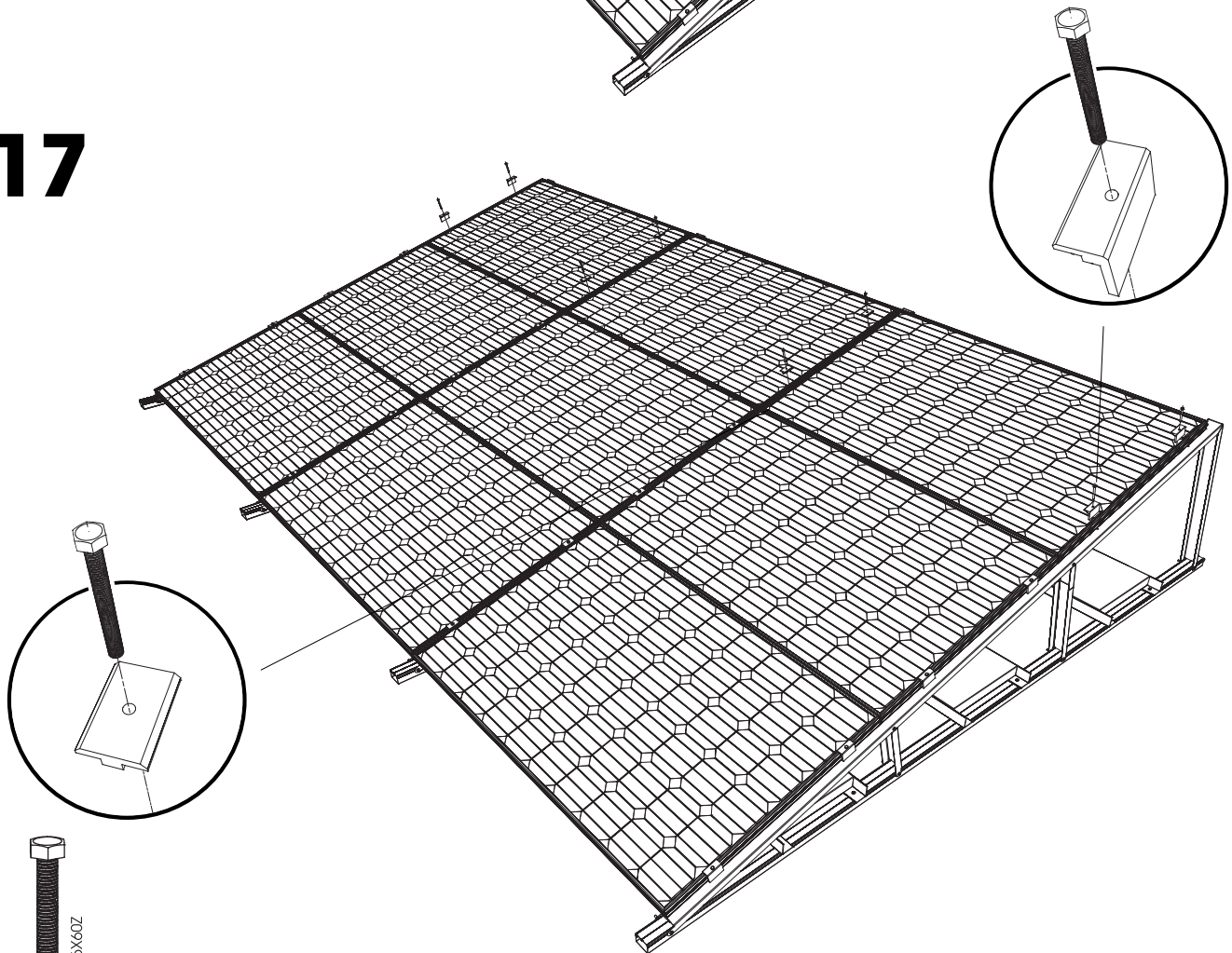
12



16

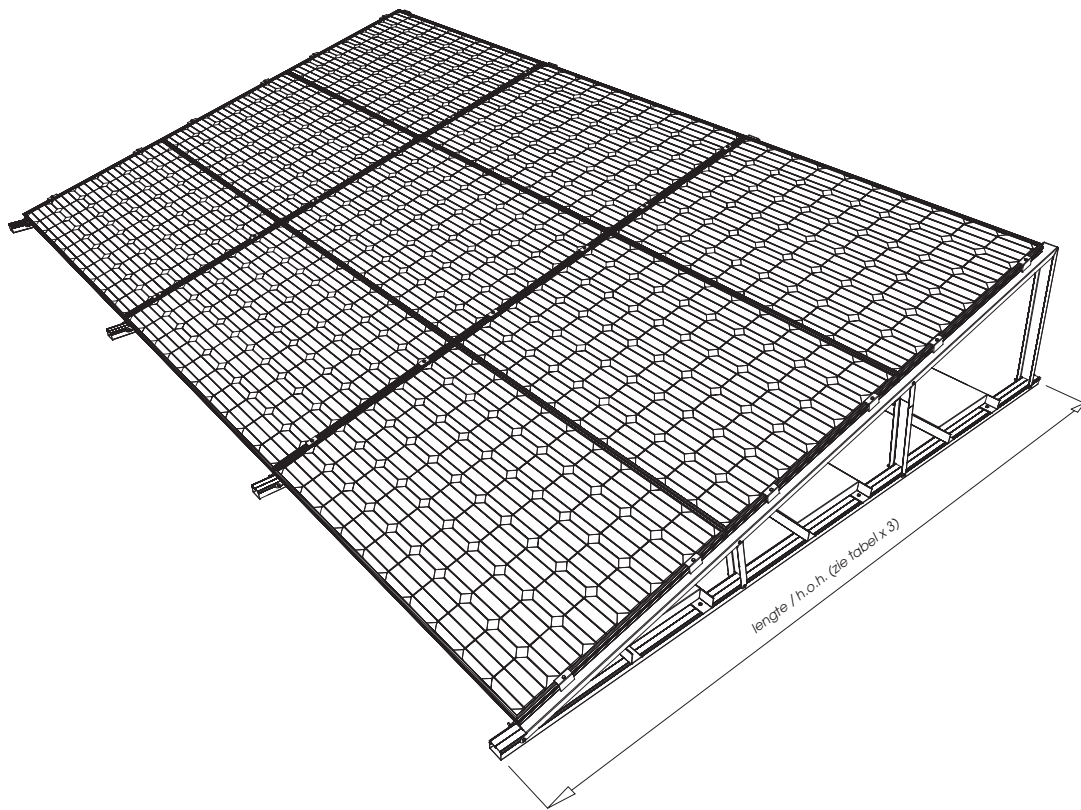


17

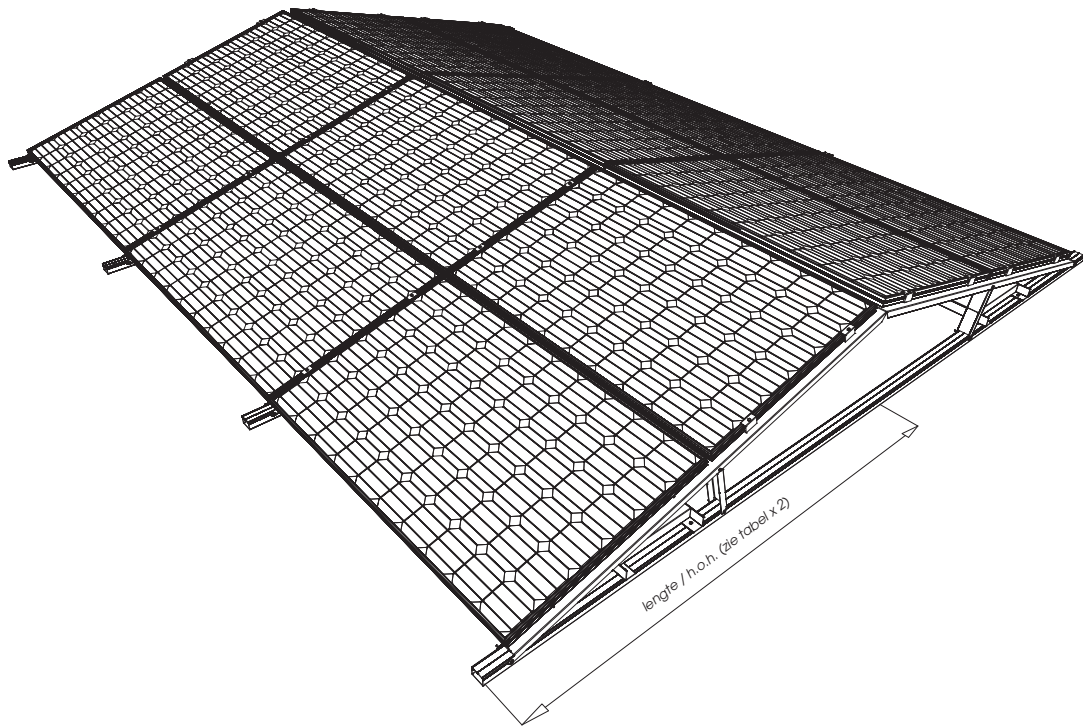


BM-BOULTM6X60Z

RIJ AFSTANDEN

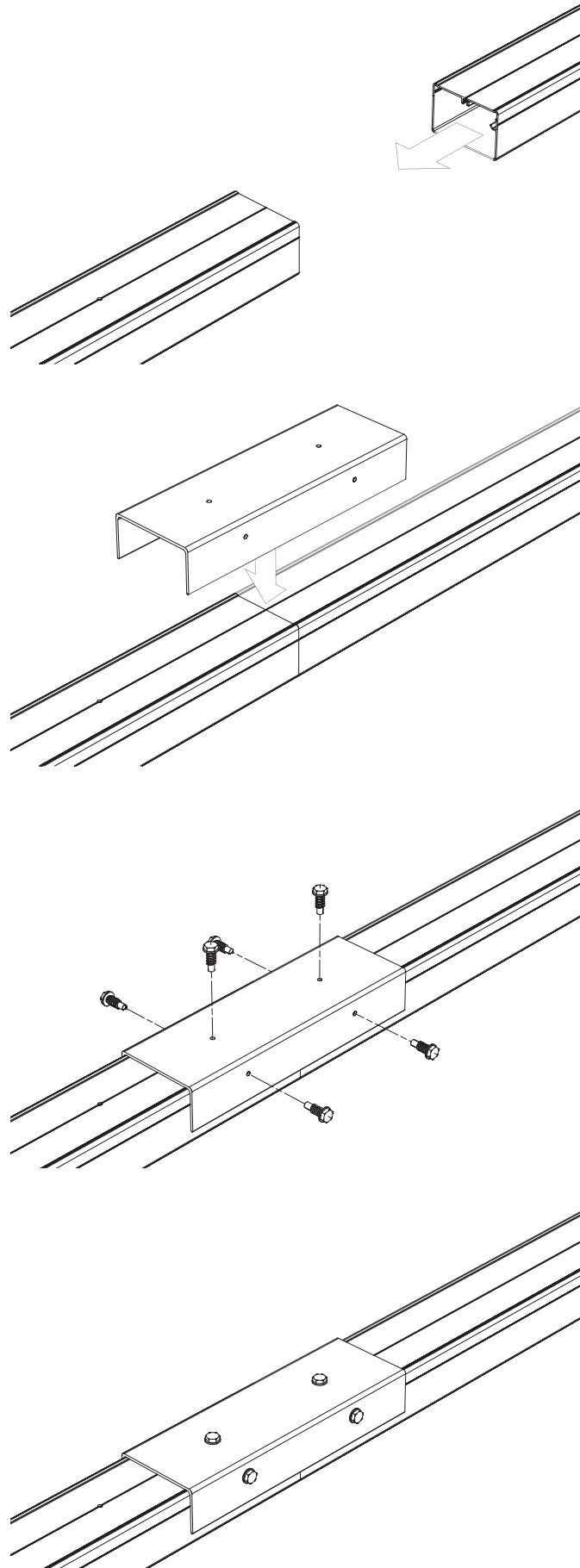


HOEK	LANDSCAPE	PORTRAIT
10	1525	2500
15	1750	2900

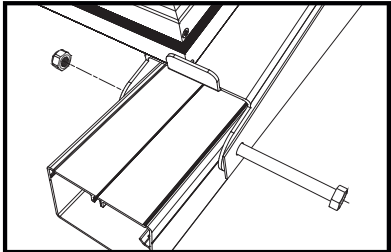
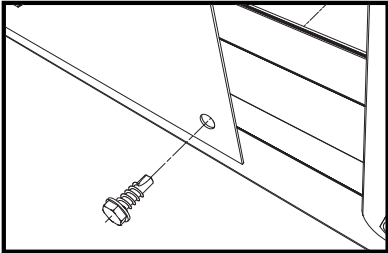
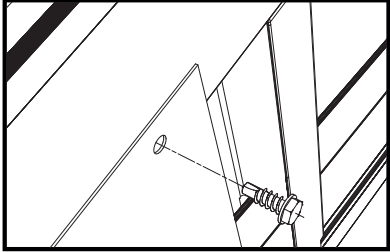
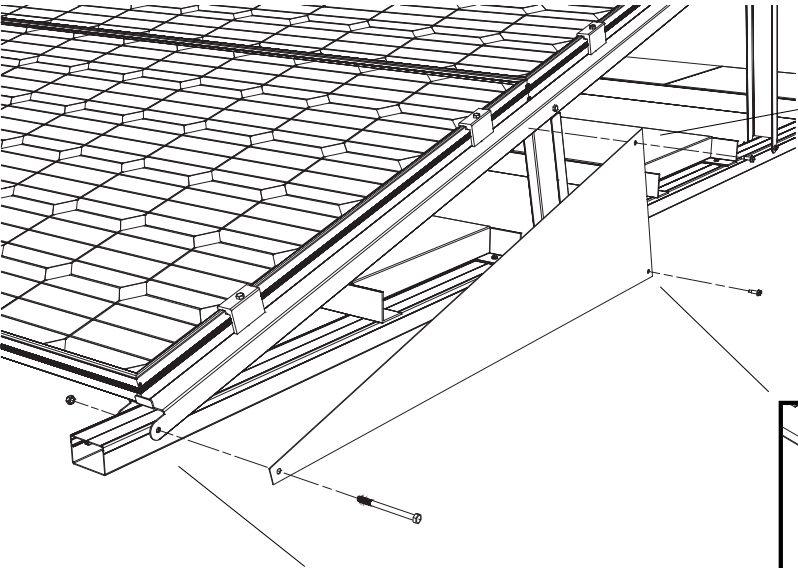


HOEK	LANDSCAPE	PORTRAIT
10	1057	1700
15	1037	1665

KOPPELING



OPTIONEEL



BM-BSCH14,8X16Z

