

Led Downlight

Introduction

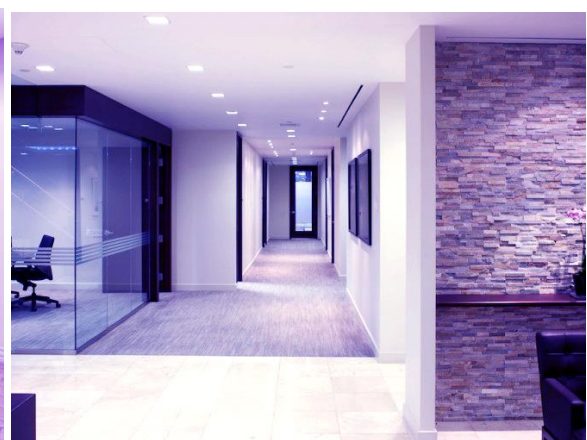
Dimmable LED Downlight with side-lit technology. Dimmable brightness from 5% to 100% .120 degrees luminous flux angle. High color rendering, CRI over 80. Comfortable lighting provides the best eye protection for your work and life. Wide range of application. The Installation place is changeable, Bedroom, Bathroom, Dining Room, Etc

Features

- Ultra thin structure: thickness of the frame is 12mm.
- IP44, good dustproof and moisture-proof performance.
- 120° beam angle.
- Triac dimming.
- Simple operation and easy install.

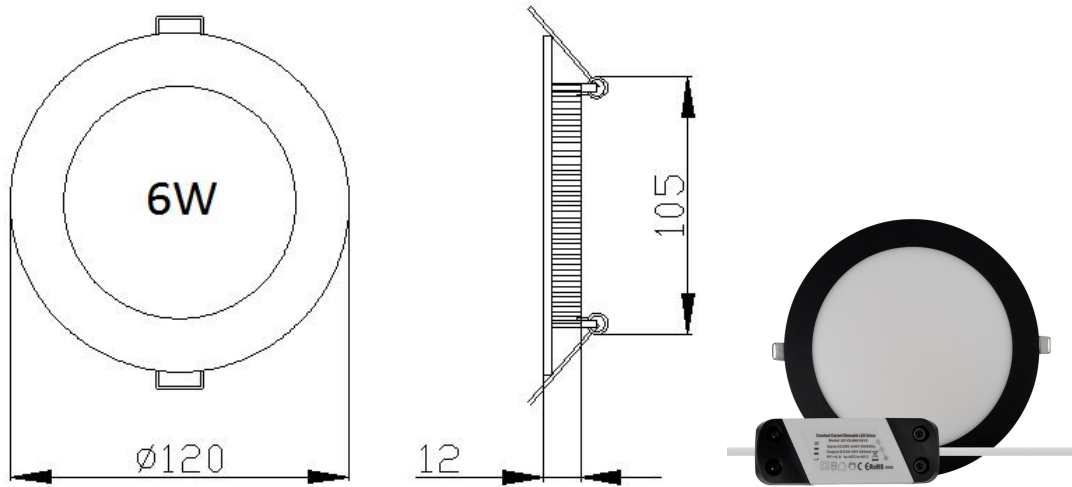
Application Areas

Office & school lighting: office room, meeting room, class room etc. Commercial lighting: shopping mall, super market, retailer shops etc. Other situations: hospital, laboratory, dust-free workshop etc.



| | |
|--------------------------------|---|
| SKU | DOWN-3000K-BLACK-6W |
| Dimension(mm) | Ø120*12 |
| Cutout (mm) | Ø110 |
| Watt(W) | 6W |
| Rated Input Voltage(V) | AC220V |
| Input Voltage(V) | AC200-240V 50/60Hz |
| LED Module Input | - |
| Light Source | SMD LED |
| SDCM | <6 |
| CCT | Warm white 3000K |
| Luminous Flux (lm) ±10% | 360 |
| CRI | ≥80 RA |
| Beam Angle (°) | 120° |
| UGR | UGR<22 (UGR<19 for option) |
| LED Driver | External driver |
| Dimming Option | Triac Dimming |
| Sensor | - |
| Emergency Kits | - |
| Electrical Class | Class II |
| Ingress Protection (IP Rating) | IP44 |
| Impact Resistance (IK Rating) | - |
| Product Finishing(Base) | Black |
| Materials of Optics | PMMA |
| Materials of Housing | PS (Diffuser plate) / Aluminium (Frame) |
| Lifetime (hr) | 30,000hrs |
| Glow wire test (°C) | - |
| Operating Temp. (°C) | -20°C ~+45°C |
| Storage Temp. (°C) | - 20°C ~+65°C |
| Installation | Recessed |
| Included Driver | |
| Output Voltage range | DC15-24V |
| Rated output current | 275mA |
| Setup, Rise Time | <0.5S |
| Flickering Index | - (flicker free) |
| Input Current | 0.032A |
| Rated Input Current | 0.04A |
| Power Factor | ≥0.5 |
| THD | ≤15%/220Vac |
| Efficiency | ≥85%/220Vac |
| No load wattage | ≤1W |
| Short circuit protection | PASS |
| Over voltage protection | PASS |
| Over temperature protection | PASS |
| Withstand voltage | I/P-O/P: 3.0KVac,<5mA 60S |
| Isolation Resistance | I/P-O/P,I/P-FG,O/P-FG:500VDC,>100MΩ |

Dimension (mm)



Packing information

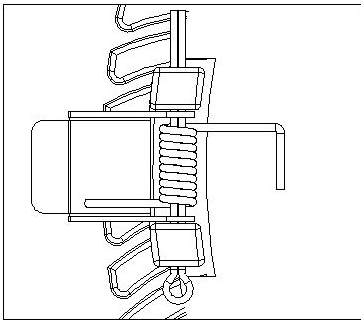
| Model | Size (mm) | Product Weight (Kg) | | Outcarton size (W*L*H) | QTY/CTN | |
|-------------------------|-----------|---------------------|---------|------------------------|-------------|-----------|
| | | N.W/CTN | G.W/CTN | | Innercarton | outcarton |
| DOWN-3000K-BLACK -6W | Ø120*12 | 7.0 | 9.5 | 66*21*40cm | 5pcs | 40pcs |

Installation Procedure

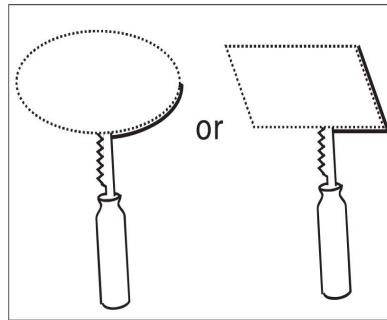
WARNING!!!

- Switch off the power before installation / maintenance.
- Switch on only after complete installation and examination of the circuit.
- Professional electrician for installation and maintenance only.

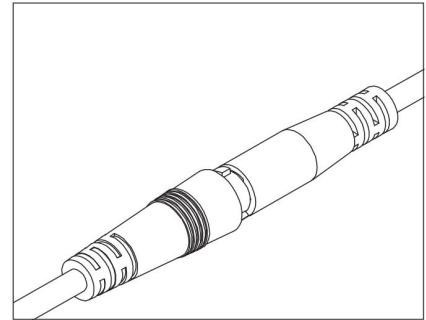
1. First of all, switch off the power.
2. Open a hole on the ceiling as required cutout size.
3. Connect power supply and AC circuit for the downlight.
4. Stuff the lamp into the hole, finish installation.



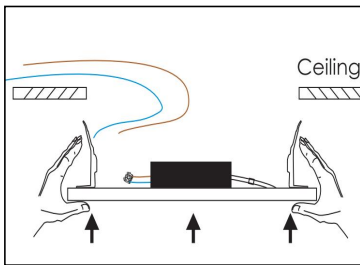
1, Mounting clips assembled as shown



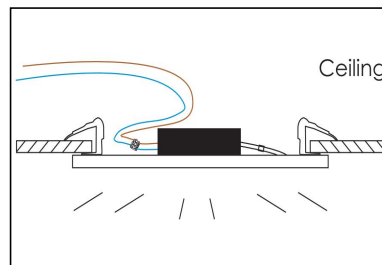
2, Open a hole according to the cutout size of the LED Downlight.



3, Connect the LED Downlight with the driver.



4, Connect the driver and AC circuit. Hold back the spring clip then push the LED Downlight into the hole .



5, Complete installation.

