

### Led Downlight

#### Introduction

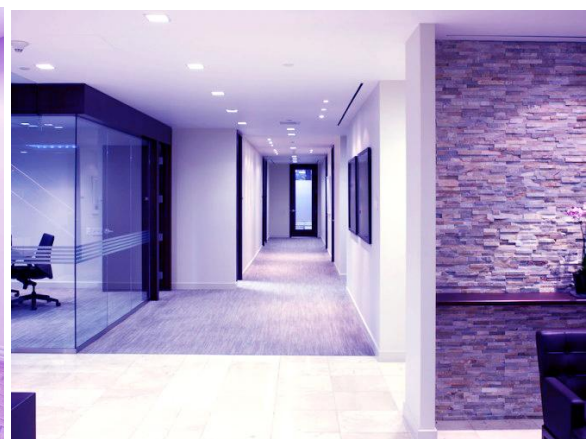
Dimmable LED Downlight with side-lit technology. Dimmable brightness from 5% to 100% .120 degrees luminous flux angle. High color rendering, CRI over 80. Comfortable lighting provides the best eye protection for your work and life. Wide range of application. The Installation place is changeable, Bedroom, Bathroom, Dining Room, Etc

#### Features

- Ultra thin structure: thickness of the frame is 12mm.
- IP44, good dustproof and moisture-proof performance.
- 120° beam angle.
- Triac dimming.
- Simple operation and easy install.

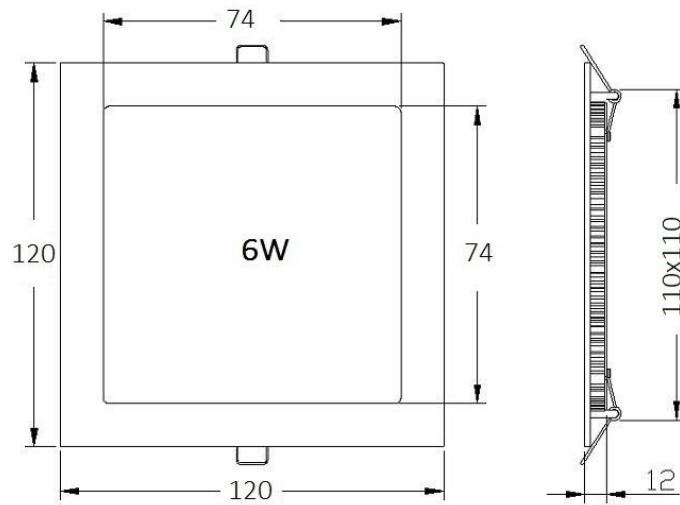
#### Application Areas

Office & school lighting: office room, meeting room, class room etc. Commercial lighting: shopping mall, super market, retailer shops etc. Other situations: hospital, laboratory, dust-free workshop etc.



SKU	<b>DOWN-6000K-6W-SQ</b>
Dimension(mm)	120*120*12
Cutout (mm)	110*110
Watt(W)	6W
Rated Input Voltage(V)	AC220V
Input Voltage(V)	AC200-240V 50/60Hz
LED Module Input	-
Light Source	SMD LED
SDCM	<6
CCT	Cool white 6000K
Luminous Flux (lm) ±10%	360
CRI	≥80 RA
Beam Angle (°)	120°
UGR	UGR<22 (UGR<19 for option)
LED Driver	External driver
Dimming Option	Triac Dimming
Sensor	-
Emergency Kits	-
Electrical Class	Class II
Ingress Protection (IP Rating)	IP44
Impact Resistance (IK Rating)	-
Product Finishing(Base)	White RAL 9016
Materials of Optics	PMMA
Materials of Housing	PS (Diffuser plate) / Aluminium (Frame)
Lifetime (hr)	30,000hrs
Glow wire test (°C )	-
Operating Temp. (°C )	-20°C~+45°C
Storage Temp. (°C )	- 20°C ~+65°C
Installation	Recessed
<b>Included Driver</b>	
Output Voltage range	DC15-24V
Rated output current	275mA
Setup, Rise Time	<0.5S
Flickering Index	- (flicker free)
Input Current	0.032A
Rated Input Current	0.04A
Power Factor	≥0.5
THD	≤15%/220Vac
Efficiency	≥85%/220Vac
No load wattage	≤1W
Short circuit protection	PASS
Over voltage protection	PASS
Over temperature protection	PASS
Withstand voltage	I/P-O/P: 3.0KVac,<5mA 60S
Isolation Resistance	I/P-O/P,I/P-FG,O/P-FG:500VDC,>100MΩ

Dimension (mm)



Packing information

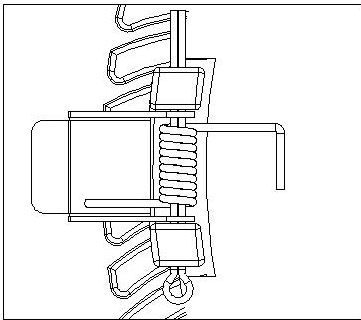
Model	Size (mm)	Product Weight (Kg)		Outcarton size (W*L*H)	QTY/CTN	
		N.W/CTN	G.W/CTN		Innecarton	outcarton
DOWN-6000K-6W-SQ	120*120*12	7.0	9.5	66*21*40cm	5pcs	40pcs

## Installation Procedure

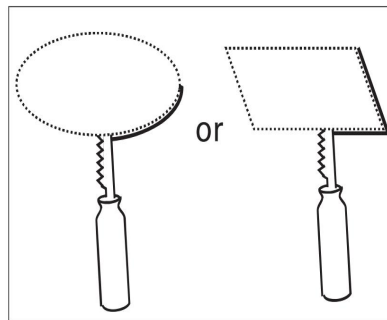
### WARNING!!!

- Switch off the power before installation / maintenance.
- Switch on only after complete installation and examination of the circuit.
- Professional electrician for installation and maintenance only.

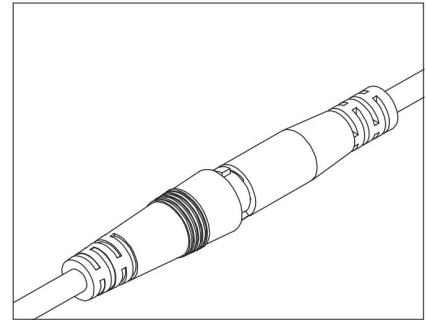
1. First of all, switch off the power.
2. Open a hole on the ceiling as required cutout size.
3. Connect power supply and AC circuit for the downlight.
4. Stuff the lamp into the hole, finish installation.



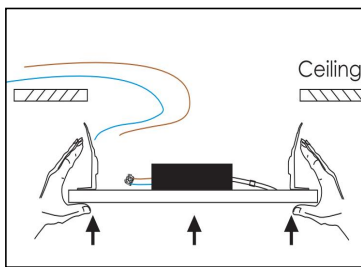
1, Mounting clips assembled as shown



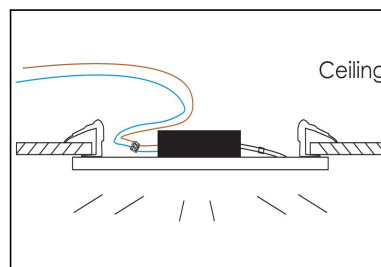
2, Open a hole according to the cutout size of the LED Downlight.



3, Connect the LED Downlight with the driver.



4, Connect the driver and AC circuit. Hold back the spring clip then push the LED Downlight into the hole .



5, Complete installation.

