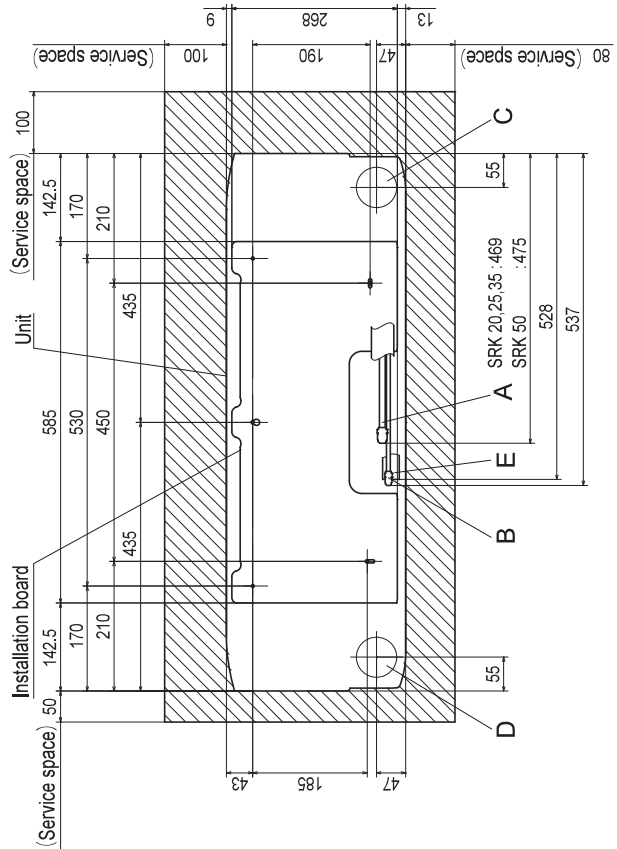
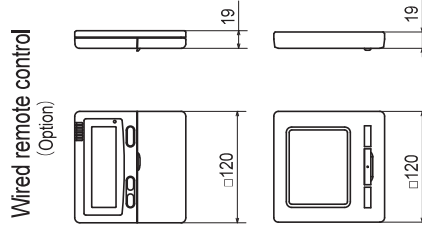
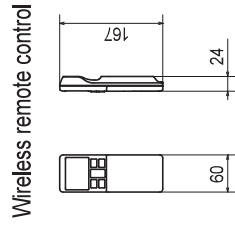
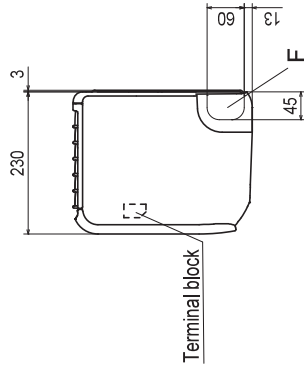
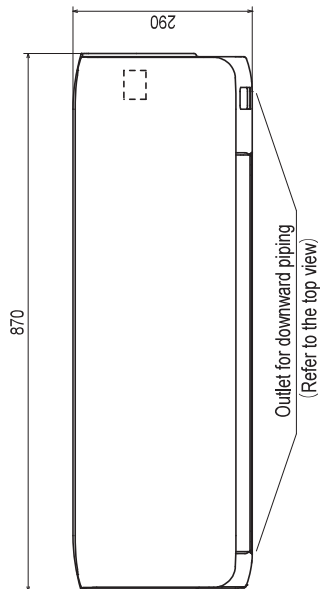
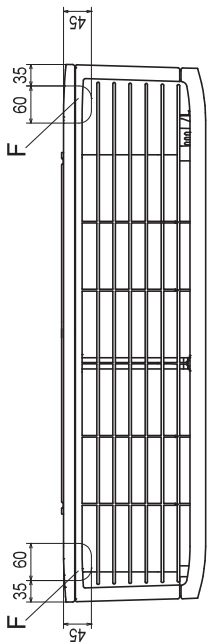


2. EXTERIOR DIMENSIONS

(1) Indoor units

Models SRK20ZS-W, 25ZS-W, 35ZS-W, 50ZS-W
 SRK20ZS-WB, 25ZS-WB, 35ZS-WB, 50ZS-WB
 SRK20ZS-WT, 25ZS-WT, 35ZS-WT, 50ZS-WT

Symbol	Content
A	Gas piping SRK20, 25, 35 ϕ 9.52 (3/8") (Flare) SRK50 ϕ 12.7 (1/2") (Flare)
B	Liquid piping ϕ 6.35 (1/4") (Flare)
C	Hole on wall for right rear piping (ϕ 65)
D	Hole on wall for left rear piping (ϕ 65)
E	Drain hose VP16
F	Outlet for piping (on both side)



Space for installation and service when viewing from the front

Notes (1) The model name label is attached on the right side of the unit.
 (2) To connect the wired remote control, the interface kit (SC-BIKN2-E) is required.

Unit:mm

RLF000Z103

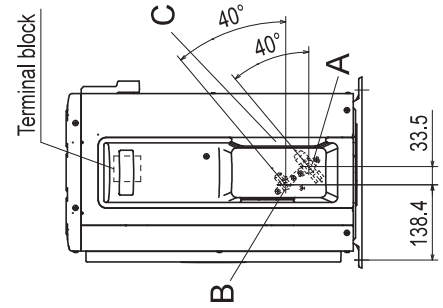
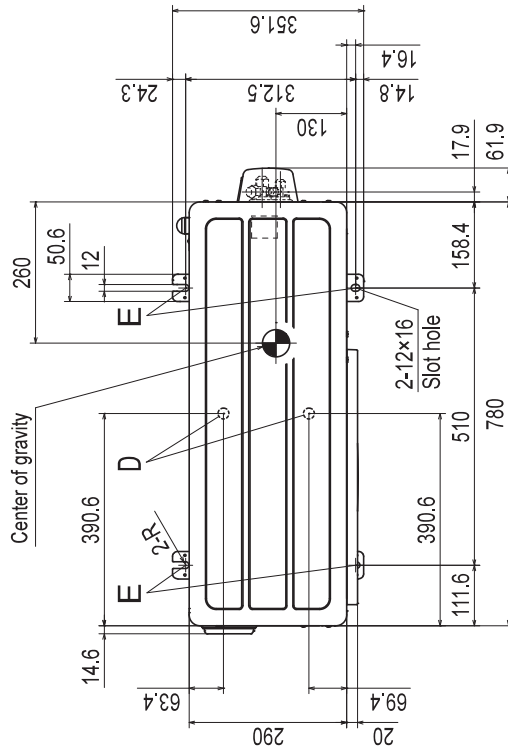
(2) Outdoor units

Models SRC20ZS-W, 25ZS-W, 35ZS-W

Notes

- (1) The unit must not be surrounded by walls on the four sides.
- (2) The unit must be fixed with anchor bolts. An anchor bolt must not protrude more than 15mm.
- (3) If the unit is installed in the location where there is a possibility of strong winds, place the unit such that the direction of air from the outlet gets perpendicular to the wind direction.
- (4) Leave 200mm or more space above the unit.
- (5) The wall height on the outlet side should be 1200mm or less.
- (6) The model name label is attached on the right side of the unit.

Symbol	Content
A	Service valve connection (gas side) $\phi 9.52$ (3/8") (Flare)
B	Service valve connection (liquid side) $\phi 6.35$ (1/4") (Flare)
C	Pipe/cable draw-out hole
D	Drain discharge hole $\phi 20 \times 2$ places
E	Anchor bolt hole M10-12 \times 4 places



Unit:mm

RCV000Z036

(3) Remote control
(a) Wireless remote control

Unit : mm

