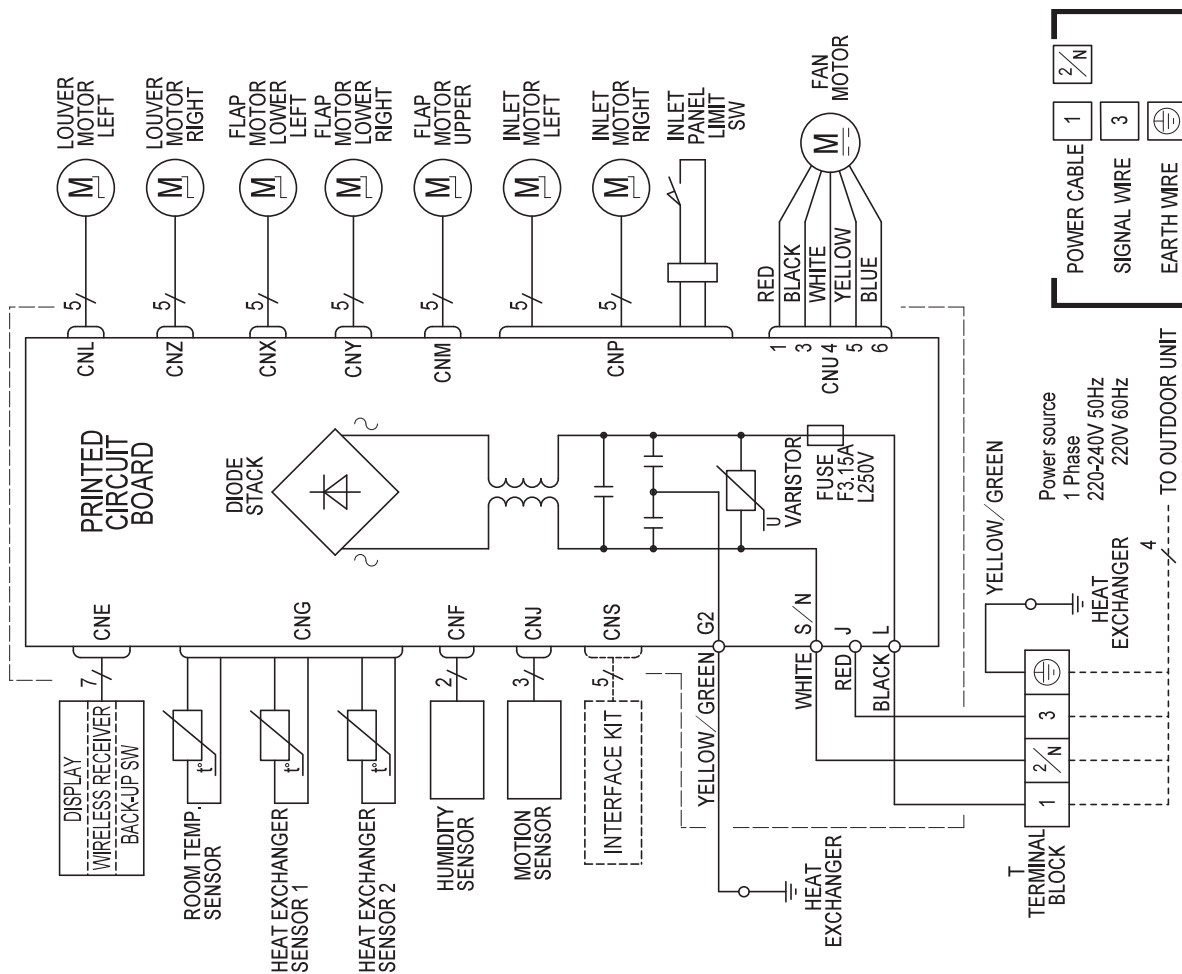


3. ELECTRICAL WIRING

(1) Indoor units

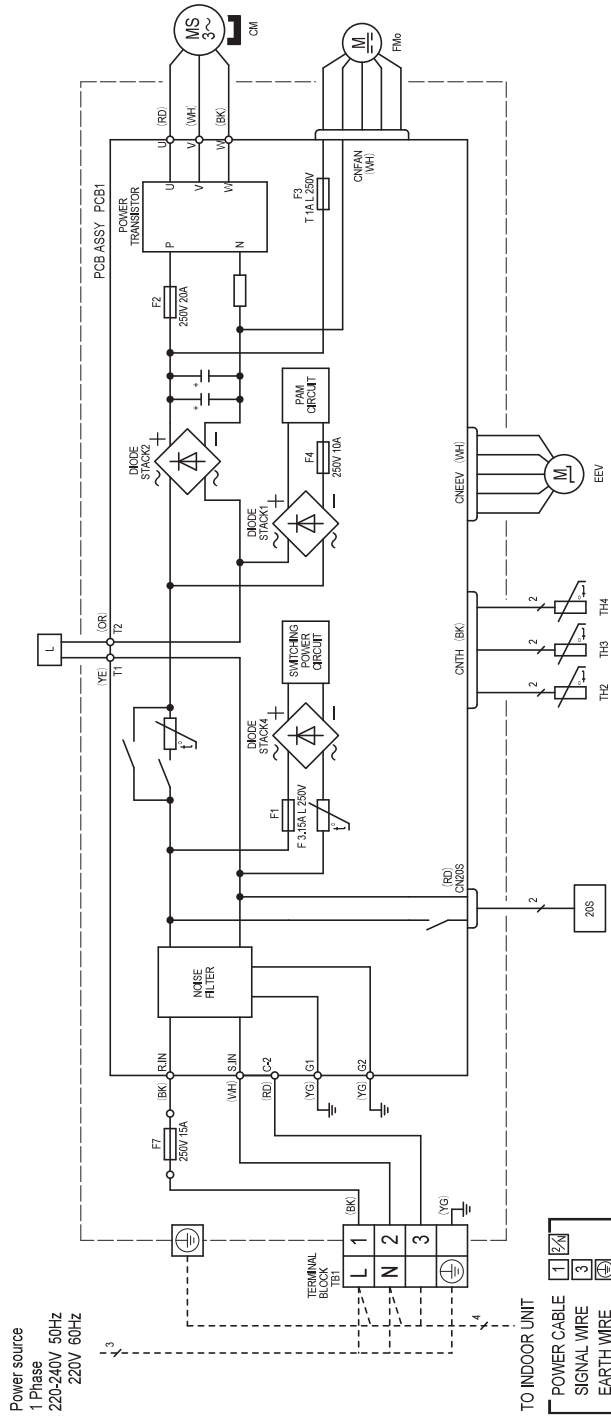
Models SRK20ZSX-W, 25ZSX-W, 35ZSX-W, 50ZSX-W, 60ZSX-W
 SRK20ZSX-WB, 25ZSX-WB, 35ZSX-WB, 50ZSX-WB, 60ZSX-WB
 SRK20ZSX-WT, 25ZSX-WT, 35ZSX-WT, 50ZSX-WT, 60ZSX-WT

| Item | Description |
|------|-------------|
| CNE | Connector |
| CNF | |
| CNG | |
| CNJ | |
| CNL | |
| CNM | |
| CNP | |
| CNS | |
| CNU | |
| CNX | |
| CNY | |
| CNZ | |



(2) Outdoor units

Models SRC20ZSX-W, 25ZSX-W, 35ZSX-W



Meaning of marks

| Item | Description |
|-------|---------------------------------|
| ZOS | 4-way valve (coil) |
| CN20S | Connector |
| CNEEV | |
| CNFAN | |
| CNTH | |
| CM | Compressor motor |
| EEV | Electric expansion valve (coil) |
| FMo | Fan motor |
| L | Reactor |
| TH2 | Heat exchanger sensor |
| TH3 | Outdoor air temp. sensor |
| TH4 | Discharge pipe temp. sensor |

Color marks

| Mark | Color |
|------|--------------|
| BK | Black |
| RD | Red |
| WH | White |
| OR | Orange |
| YE | Yellow |
| YG | Yellow/Green |

Power cable, indoor-outdoor connecting wires

| Model name | MAX running current (A) | Power cable wire size x number* | Power cable length (m) | Connecting cable wire size x number* |
|------------|-------------------------|---------------------------------|------------------------|--------------------------------------|
| SRC20ZSX-S | 9 | 2.0mm ² x 3 | 22 | 1.5mm ² x 4 |
| SRC25ZSX-S | | | | |
| SRC35ZSX-S | | | | |

* The wire numbers include earth wire (Yellow/Green)
 * Switchgear or circuit breaker capacity should be chosen according to national or regional electricity regulations.
 * The power cable specifications are based on the assumption that a metal or plastic conduit is used with no more than three cables contained in a conduit and a voltage drop is 2%. For an installation falling outside of these conditions, please follow the national or regional electricity regulations.