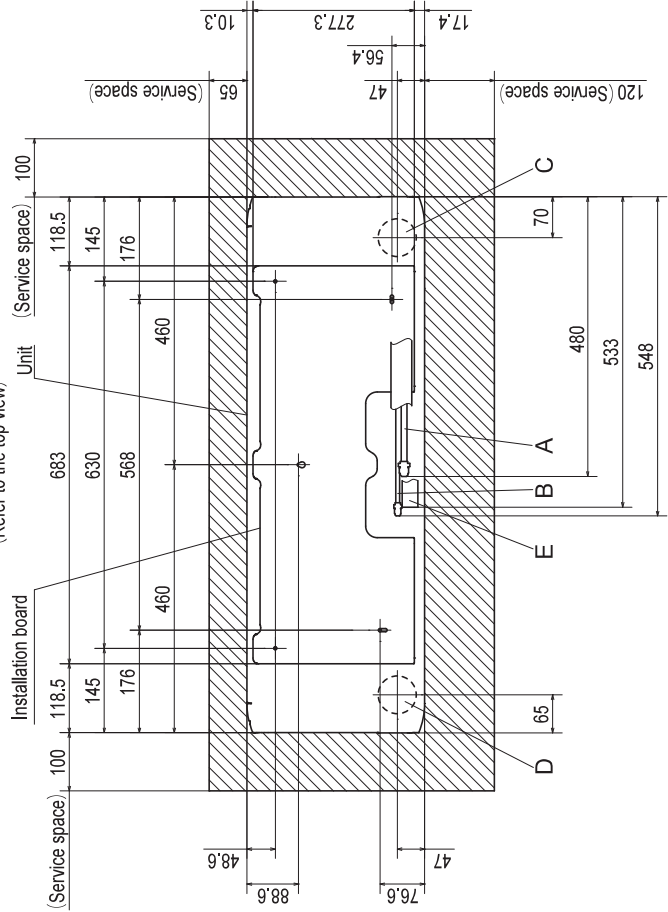
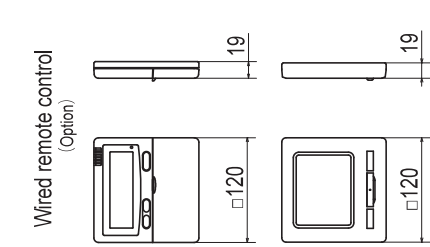
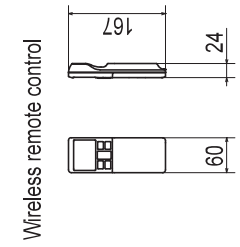
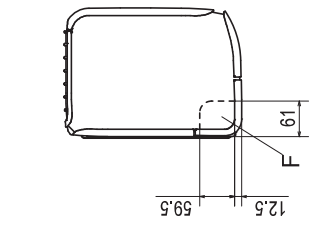
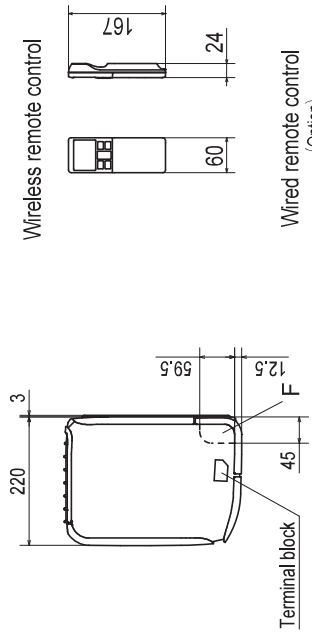
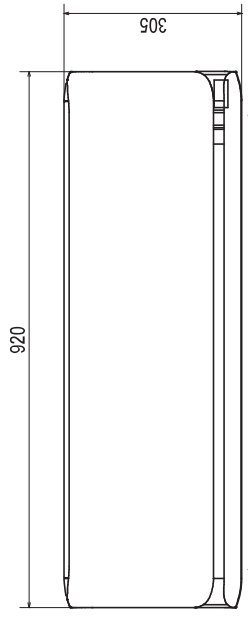
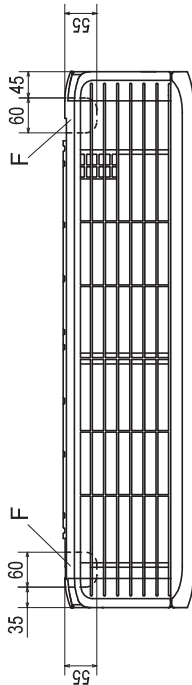


2. EXTERIOR DIMENSIONS

(1) Indoor units

Models SRK20ZSX-W, 25ZSX-W, 35ZSX-W, 50ZSX-W, 60ZSX-W
 SRK20ZSX-WB, 25ZSX-WB, 35ZSX-WB, 50ZSX-WB, 60ZSX-WB
 SRK20ZSX-WT, 25ZSX-WT, 35ZSX-WT, 50ZSX-WT, 60ZSX-WT

Symbol	Content
A	Gas piping φ9.52 (3/8") (Flare)
B	Liquid piping φ6.35 (1/4") (Flare)
C	Hole on wall for right rear piping (φ65)
D	Hole on wall for left rear piping (φ65)
E	Drain hose VP16
F	Outlet for piping



Space for installation and service when viewing from the front

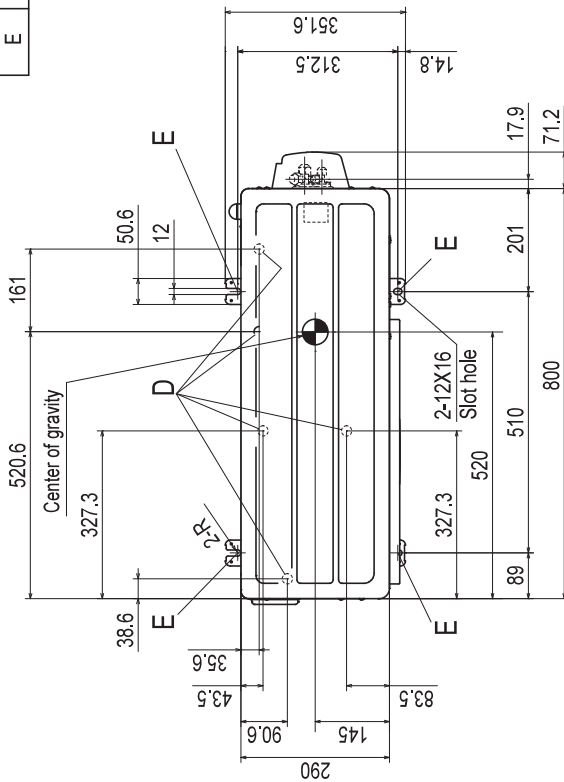
Notes (1) The model name label is attached on the right side of the unit.
 (2) To connect the wired remote control, the interface kit (SC-BIKN2-E) is required.

Unit:mm

(2) Outdoor units

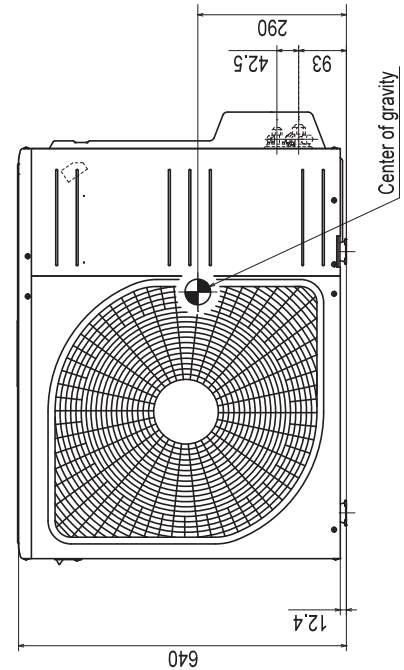
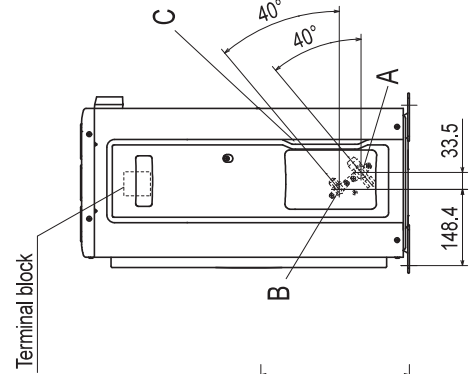
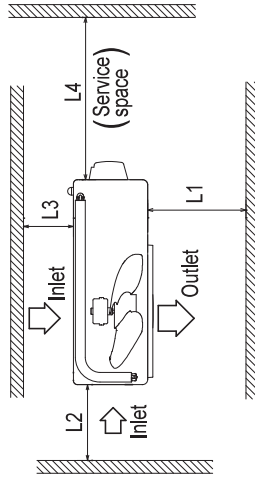
Models SRC20ZSX-W, 25ZSX-W, 35ZSX-W

Symbol	Content
A	Service valve connection (Gas side) $\phi 9.52 (3/8")$ (Flare)
B	Service valve connection (Liquid side) $\phi 6.35 (1/4")$ (Flare)
C	Pipe/cable draw-out hole
D	Drain discharge hole
E	Anchor bolt hole



Notes

- (1) The unit must not be surrounded by walls on the four sides.
- (2) The unit must be fixed with anchor bolts. An anchor bolt must not protrude more than 15mm.
- (3) If the unit is installed in the location where there is a possibility of strong winds, place the unit such that the direction of air from the outlet gets perpendicular to the wind direction.
- (4) Leave 200mm or more space above the unit.
- (5) The wall height on the outlet side should be 1200mm or less.
- (6) The model name label is attached on the right side of the unit.



Minimum installation space		I	II	III	IV
Examples installation	Size L1	Open	280	280	180
	L2	100	75	Open	Open
	L3	100	80	80	80
	L4	250	Open	250	Open

Unit:mm

(3) Remote control

(a) Wireless remote control

Unit : mm

