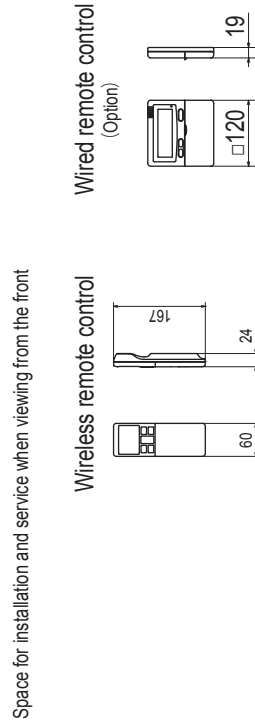
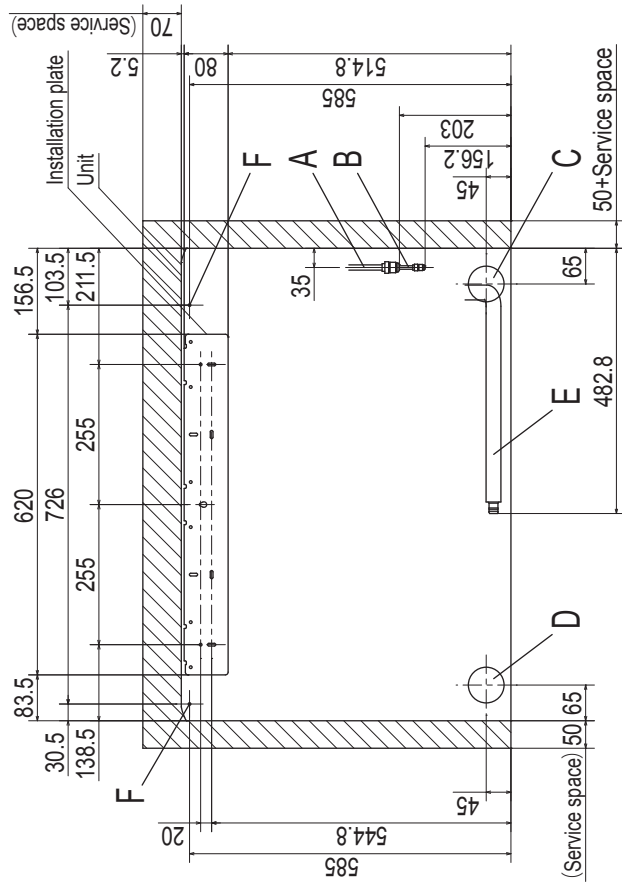


2. EXTERIOR DIMENSIONS

(1) Indoor units

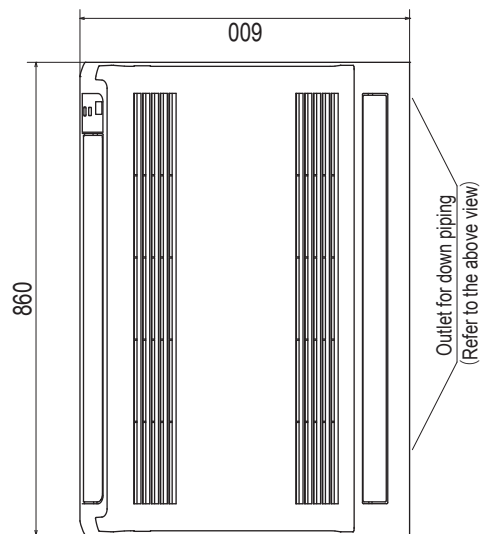
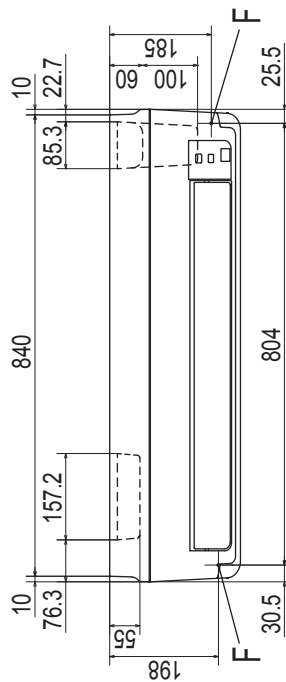
Models SRF25ZS-W, 35ZS-W, 50ZSX-W



- Notes
- (1) The model name label is attached on the right side of the unit.
 - (2) It takes the interface kit (SC-BKN2-E) to connect the wired remote control.
 - (3) In case of wall installation, leave the unit 150mm or less from the floor.

Unit:mm

Symbol	Content
A	Gas piping Model 25.35 : $\phi 9.52(3/8")$ (Flare) 50 : $\phi 12.7(1/2")$ (Flare)
B	Liquid piping $\phi 6.35(1/4")$ (Flare)
C	Hole on wall for right rear piping ($\phi 65$)
D	Hole on wall for left rear piping ($\phi 65$)
E	Drain hose VP16
F	Screw point fasten the indoor unit $\phi 5$
G	Outlet for piping (on both side)

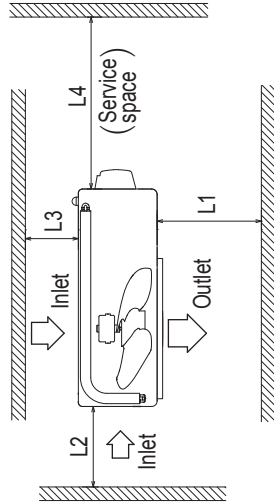
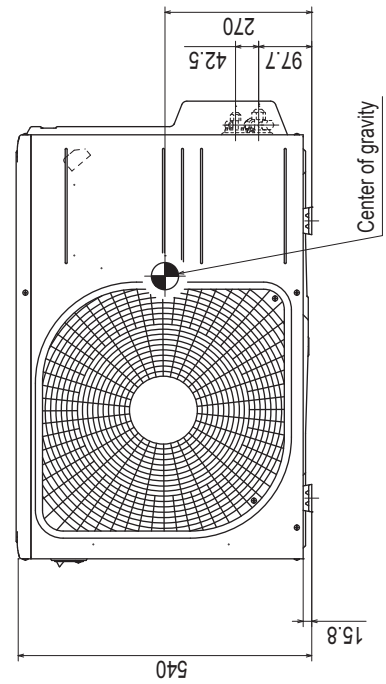
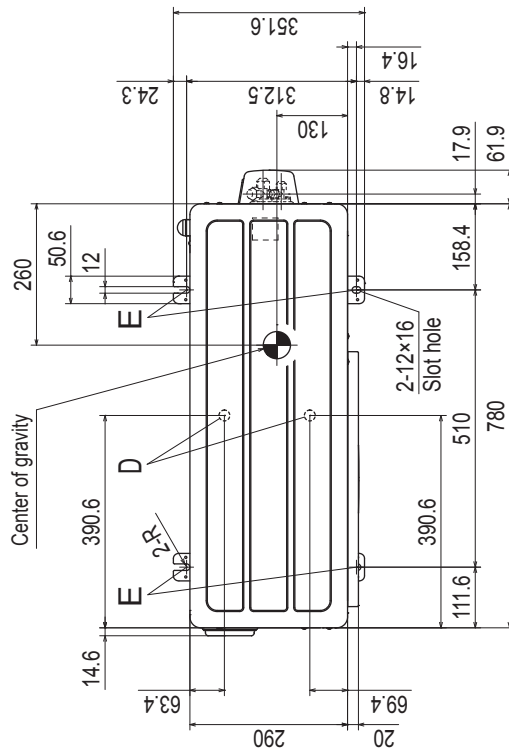


RFB000Z006

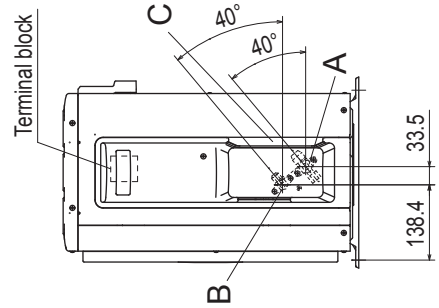
(2) Outdoor units
 Models SRC25ZS-W2, 35ZS-W2

- Notes (1) The unit must not be surrounded by walls on the four sides.
 (2) The unit must be fixed with anchor bolts. An anchor bolt must not protrude more than 15mm.
 (3) If the unit is installed in the location where there is a possibility of strong winds, place the unit such that the direction of air from the outlet gets perpendicular to the wind direction.
 (4) Leave 200mm or more space above the unit.
 (5) The wall height on the outlet side should be 1200mm or less.
 (6) The model name label is attached on the right side of the unit.

Symbol	Content
A	Service valve connection (gas side) $\phi 9.52$ (3/8") (Flare)
B	Service valve connection (liquid side) $\phi 6.35$ (1/4") (Flare)
C	Pipe/cable draw-out hole
D	Drain discharge hole $\phi 20 \times 2$ places
E	Anchor bolt hole M10-12 \times 4 places



Installation space	
L1	280 or more
L2	100 or more
L3	80 or more
L4	250 or more



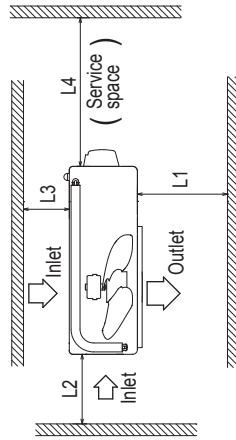
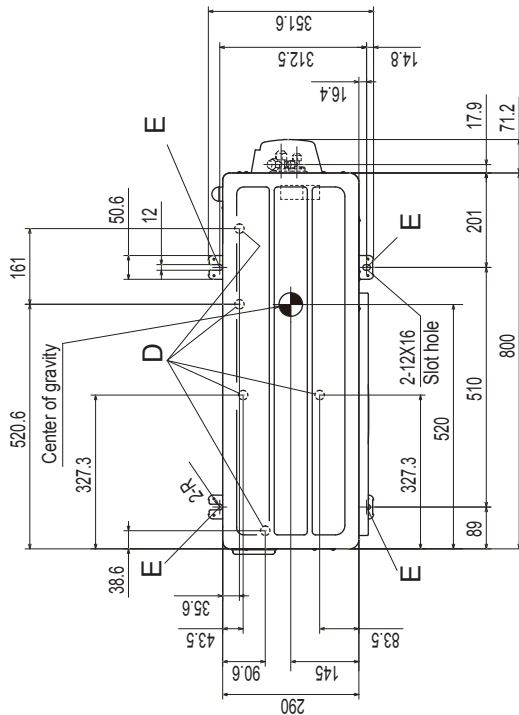
Unit:mm

Model SRC50ZSX-W2

Symbol	Content
A	Service valve connection (gas side) $\phi 12.7(1/2")$ (Flare)
B	Service valve connection (liquid side) $\phi 6.35(1/4")$ (Flare)
C	Pipe/cable draw-out hole
D	Drain discharge hole
E	Anchor bolt hole

Notes

- (1) The unit must not be surrounded by walls on the four sides.
- (2) The unit must be fixed with anchor bolts. An anchor bolt must not protrude more than 15mm.
- (3) If the unit is installed in the location where there is a possibility of strong winds, place the unit such that the direction of air from the outlet gets perpendicular to the wind direction.
- (4) Leave 200mm or more space above the unit.
- (5) The wall height on the outlet side should be 1200mm or less.
- (6) The model name label is attached on the front side of the unit.



Minimum installation space

Examples installation Size	I	II	III	IV
L1	Open	280	280	180
L2	100	75	Open	Open
L3	100	80	80	80
L4	250	Open	250	Open

Unit:mm

