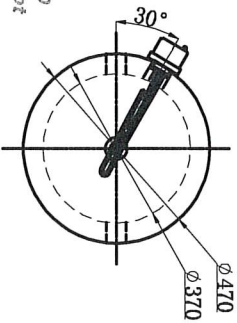
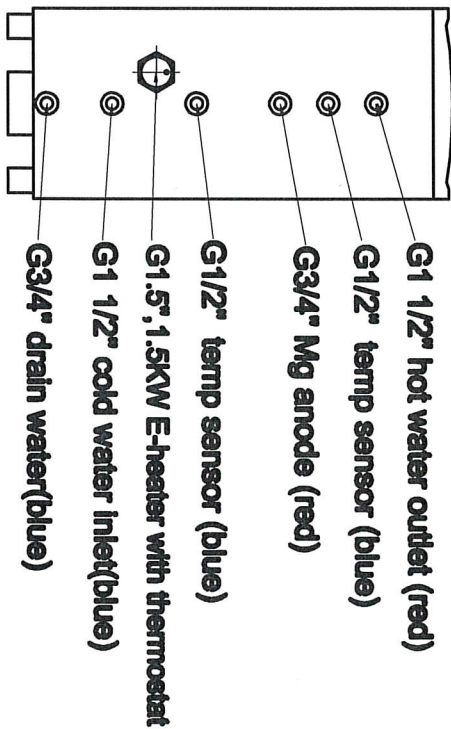
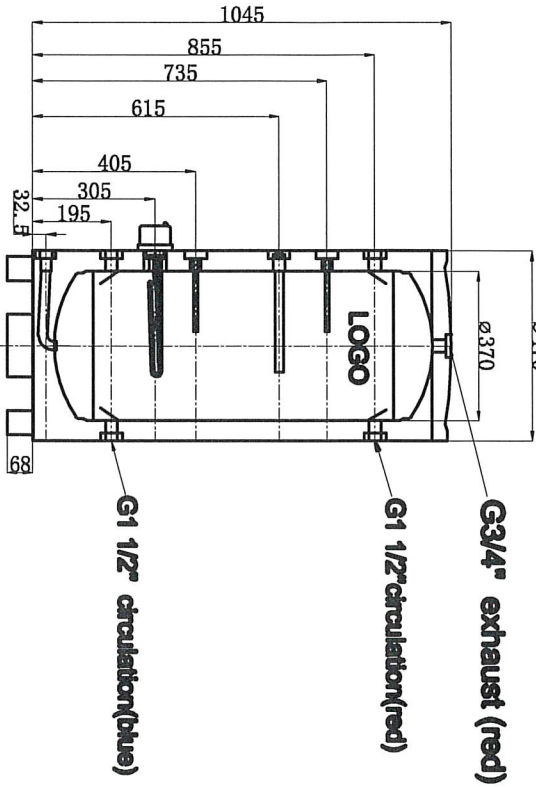
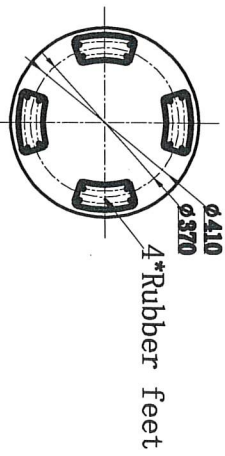


CWT-100L



- Technical parameters:**
1. The water tank diameter is $\phi 470\text{mm}$, outer shell is galvanized sheet with dark grey painting, $\delta=0.5\text{mm}$, black top cover;
 2. Inner tank diameter is $\phi 370\text{mm}$, SUS304, $\delta=1.2\text{mm}$;
 3. All the connectors are female.
 4. The insulation is 50mm polyurethane.

BEIJER REF
SUPPORT

Westfields 1210
5688 HA Oirschot
Postbus 100
5638 ZJ Oirschot
Tel: +31 (0)88 122 07 00

标识	更改文件号	签字日期		DATE	20230601
设计				版本	页面
校对				A	1/1
工艺				比例	1:1
标准化				材料	SSR Reacting Energy Co., Ltd