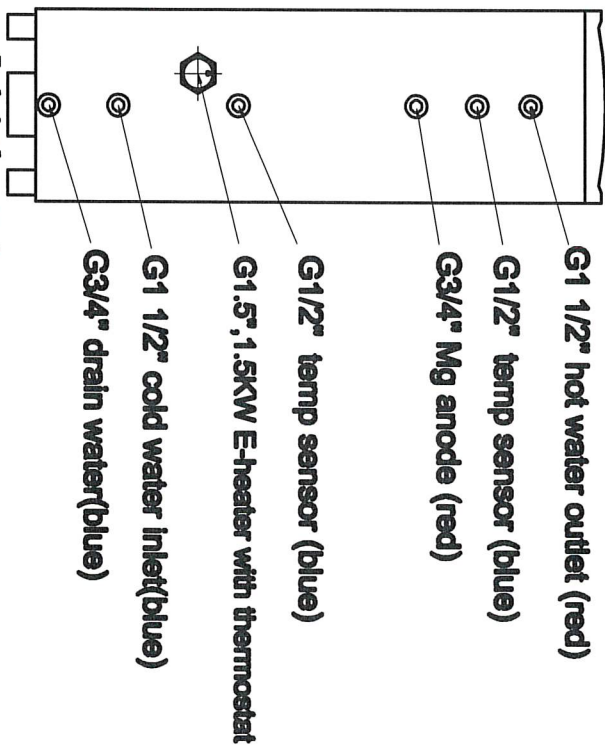
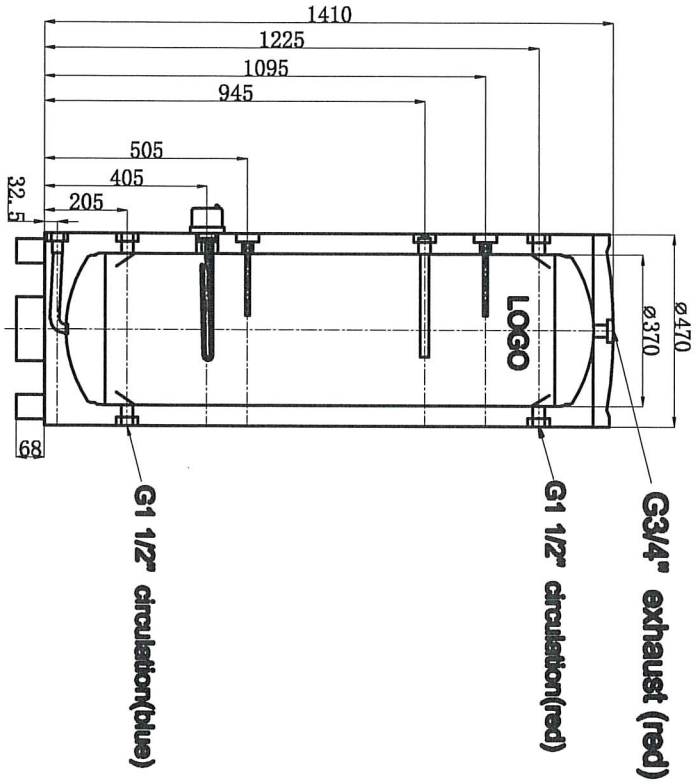
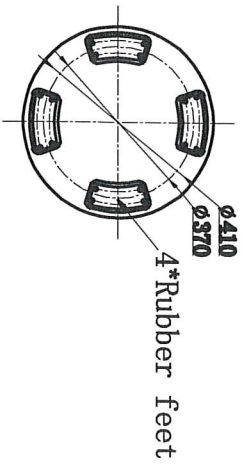
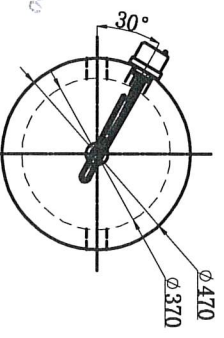


CWT-150L



Technical parameter:
 1. The water tank diameter is $\Phi 470$ mm, outer shell is galvanized sheet with dark grey painting, 5-0.5mm, black top cover;
 2. Inner tank diameter is $\Phi 370$ mm, SUS304, 8-1.2mm;
 3. All the connectors are female.
 4. The insulation is 50mm polyurethane.



Westfields 1210
 5688 NA Oirschot
 Postbus 100
 5688 ZJ Oirschot
 Tel: +31 (0)83 122 07 00

BEVERKREFT
 SHPP/PORT
 110153

标题	更改文件号	签字日期	DATE	20230601
设计			版本	页面
校核			A	1/1
工艺			审核	批准
标准化			日期	
材料			SST Heating Energy Co., Ltd	