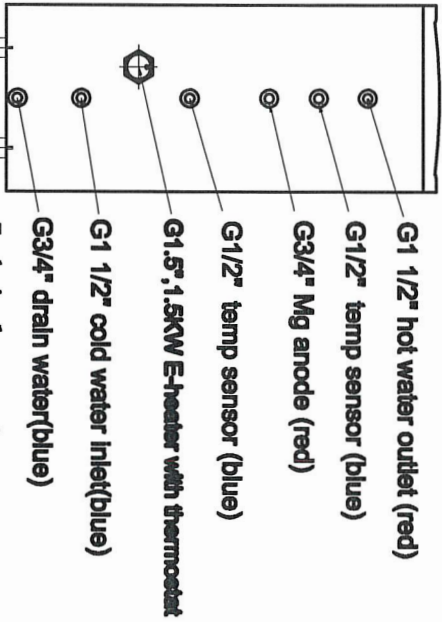
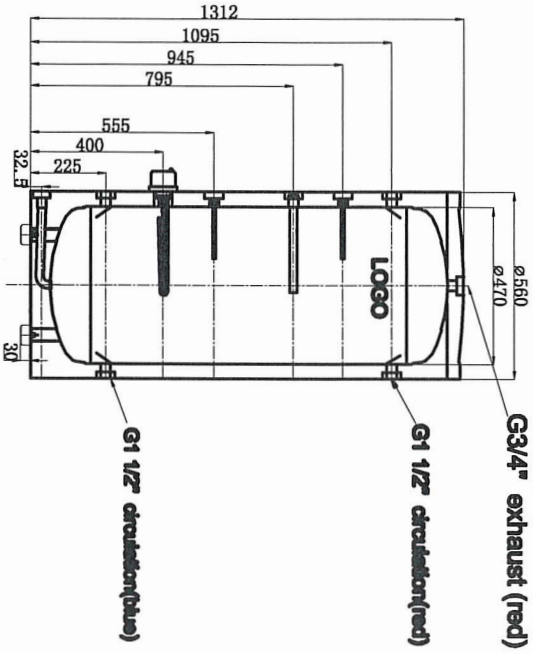
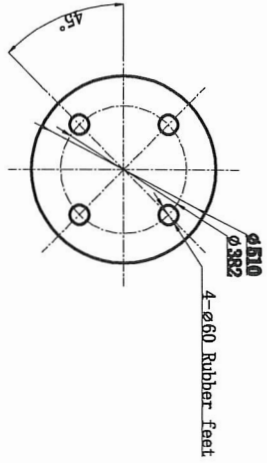


CWT-200L



- Technical parameter:**
1. The water tank diameter is $\Phi 560\text{mm}$, outer shell is galvanized sheet with drak grey painting, $\delta = 0.5\text{mm}$, black top cover;
 2. Inner tank diameter is $\Phi 470\text{mm}$, SUS304, $\delta = 1.5\text{mm}$;
 3. All the connectors are female.
 4. The insulation is 45mm polyurethane.

BEINER
 SUPPLY
 1/16/15

Westfields 1210
 5688 HA Oirschot
 Postbus 100
 5688 ZJ Oirschot
 Tel: +31 (0)88 122 07 2

标识	更改文件号	签字日期	CWT-200L	材料	SUS304 $\delta = 1.5\text{mm}$	DATE	20230601		
设计	审核	版本						页面	比例
工艺	批准	A						1/1	1:1
标准化	日期		SST Heating Energy Co., Ltd						