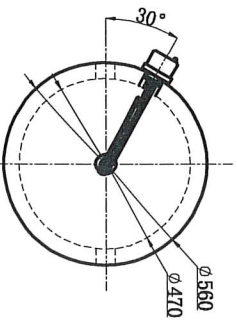
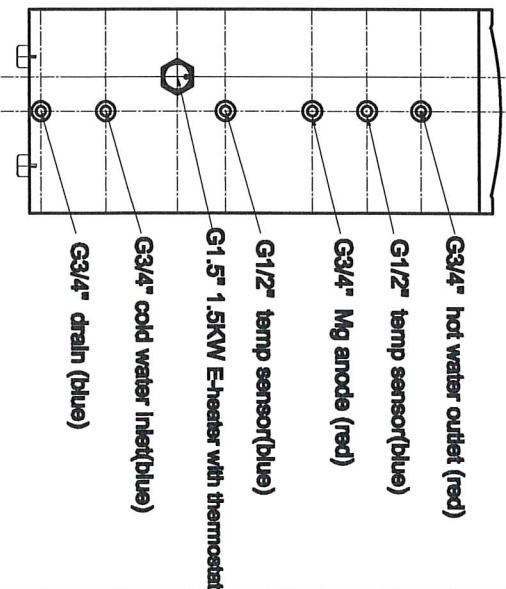
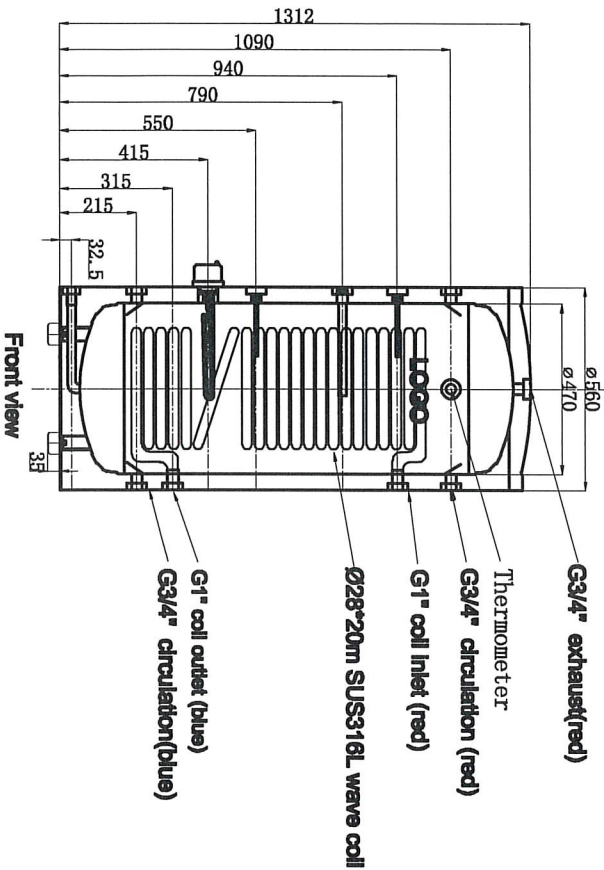
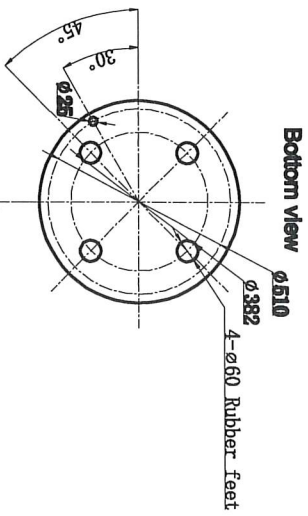


CAWT-200L



Technical parameter:
 1. The water tank diameter is $\Phi 560\text{mm}$, outer shell is galvanized sheet with dark grey painting, $\delta=0.5\text{mm}$, black top cover;
 2. Inner tank diameter is $\Phi 470\text{mm}$, duplex steel 2205, $\delta=1.0\text{mm}$;
 3. With SUS316L wave coil $\Phi 28*20\text{mm}$, surface area is 2.6 m^2 ;
 4. All the connectors are female.
 5. The insulation is 45mm polyurethane.

BEUER RZHL
 SUPPORT
 Westfields 1210
 66004 Sirschof
 Resibus 100
 5688 2J Oirschot
 Tel: +31 (0)83 122 07 00

3/15/23

标识	更改文件号	签字日期	材料	20230518
设计			CAWT-200L	版数
校核				A
工艺				1/1
标准化				比例
				1:1
				☐
				☉
				SST HEATING ENERGY CO., LTD.