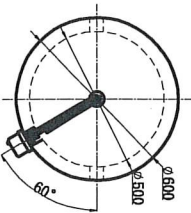
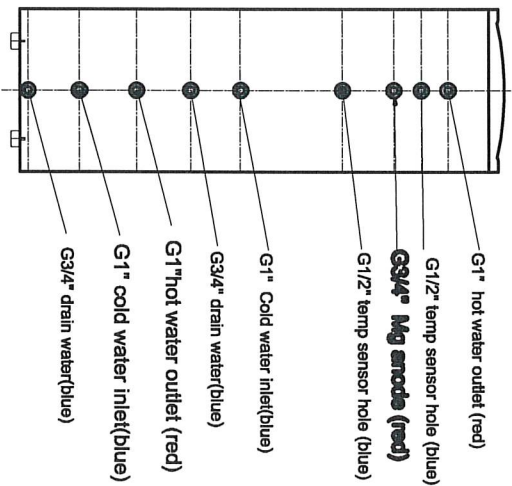
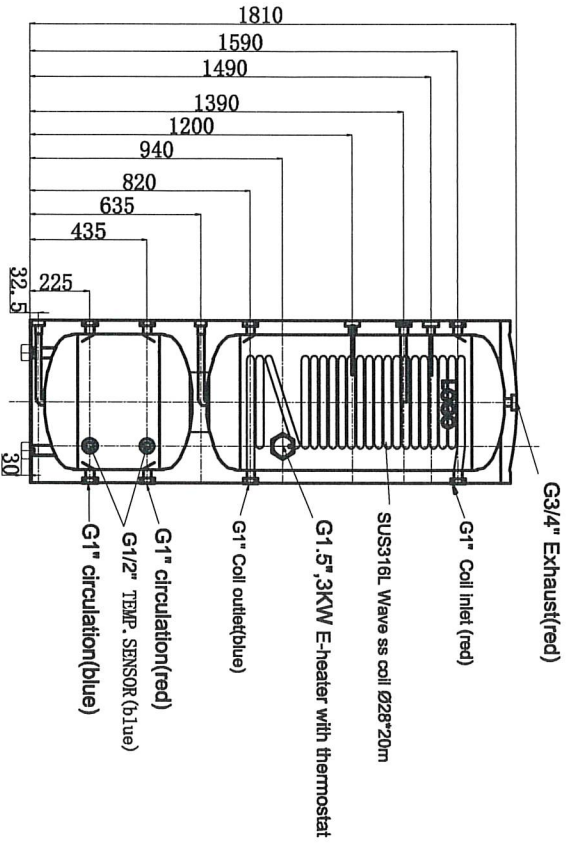
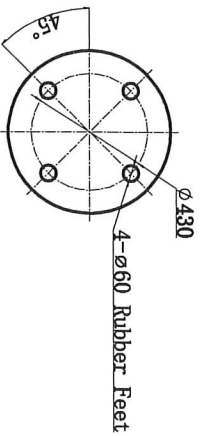


**CDWT-300L**



- Technical parameter:
1. The water tank diameter is  $\Phi 600\text{mm}$ , outer shell is galvanized sheet with dark grey painting,  $\delta=0.5\text{mm}$ , black top cover;
  2. Inner tank diameter is  $\Phi 500\text{mm}$ , duplex steel 2205,  $\delta=1.0\text{mm}$ ;
  3. With SUS316L wave coil  $\Phi 28 \times 20\text{m}$ , surface area is  $2.6\text{m}^2$ ;
  4. All the connectors are female.
  5. The insulation is 50mm polyurethane.

**BEIJER**  
SURPORT

Westfields 1210  
5688 HA Oirschot  
Postbus 100  
5688 ZJ Oirschot  
Tel: +31 (0)88 122 07 00

标识及版本号 设计 校对 工艺 标准化		文件 日期 审核 批准 日期	日期 20230518	比例 1:1
CDWT-300L (200L+100L)			DATE 20230518	比例 1:1
SST Heating Energy Co., Ltd			SST Heating Energy Co., Ltd	