

OUTDOOR UNITS

MULTI VARIABLE SERIES

MODEL			MV-E28BI2	MV-E36BI2	MV-E42BI2		
Qty of connectable indoor units			2-4	2-4	2-5		
Capacity cooling / heating 1)	Nominal (min-max)	kW	8,0 (2,3-10,3) / 9,5 (3,7-10,3)	10,6 (2,6-12,0) / 12,0 (3,0-14,0)	12,1 (2,6-15,2) / 13,0 (3,0-15,5)		
Power supply		Hz / V	1~ / 50 / 220-240	1~ / 50 / 220-240	1~ / 50 / 220-240		
Power input cooling / heating 1)		W	2120 / 2200	3000 / 3040	3400 / 3190		
Maximal power input 2)		W	3600	5000	5000		
Power current cooling / heating		A	9,4 / 9,8	13,3 / 13,5	15,1 / 14,2		
Maximal power current 2)		A	15,9	21,7	21,7		
Energy class cooling 3)			See table below	See table below	See table below		
Air flow of OD	H	m ³ / h	3800	5800	5800		
Sound pressure level of OD at 1m 4)	H	dB(A)	58	60	60		
Sound power of OD 4)	H	dB(A)	68	70	72		
Refrigerant type / charge		Type / kg / t eq. CO ₂	R32 / 1,80 / 1,21	R32 / 2,40 / 1,62	R32 / 2,40 / 1,62		
Additional refrigerant		g / m	20	20	20		
Pipe diameter - liquid side 5)		qty x mm	4 x 6,0	4 x 6,0	5 x 6,0		
Pipe diameter - gas side 5)		qty x mm	4 x 9,5	4 x 9,5	5 x 9,5		
Max pipe length without additional refrigerant 6)		m	40	40	50		
Maximal pipe length to 1 indoor unit 9)		m	20	25	25		
Maximal total pipe length 7)		m	70	80	100		
Max. elevation / Drop height		m	15	25	25		
Dimension of OD	w x h x d	mm	964 x 660 x 402	1020 x 826 x 427	1020 x 826 x 427		
Package dimension of OD	w x h x d	mm	1032 x 737 x 456	1093 x 885 x 497	1093 x 885 x 497		
Weight of OD	netto / brutto	kg	51,0 / 55,5	72,0 / 79,0	73,0 / 80,0		
Operating temperature range (cooling 8)	Cooling	°C	-15-43	-15-43	-15-43		
Operating temperature range (heating 8)	Heating	°C	-22-24	-22-24	-22-24		
ADDITIONAL TECHNICAL INFORMATION							
Screw holes distance of OD	w x d	mm	570 x 371	635 x 396	635 x 396		
Communication cable		mm ²	4-wire cable *				
Recommended power cable		mm ²	3 x 4,0	3 x 6,0	3 x 6,0		
Recommended air switch		A	20	25	25		
EQUIPMENT							
Throttling method			EXV	EXV	EXV		
Bottom chassis heater			Heating belt	Heating belt	Heating belt		
Crankcase heater			✓	✓	✓		
Bottom plugs for OD			✓	✓	✓		
Drain pipe connector			✓	✓	✓		
Pipe reduction			✓	✓	✓		

The specification of products is subject to change based on further development of the units by the producer and can be changed without prior notice. Refer to rating label.

R32 (single component refrigerant HFC), GWP of refrigerant used: 675.

Contains fluorinated greenhouse gases covered by the Kyoto Protocol.

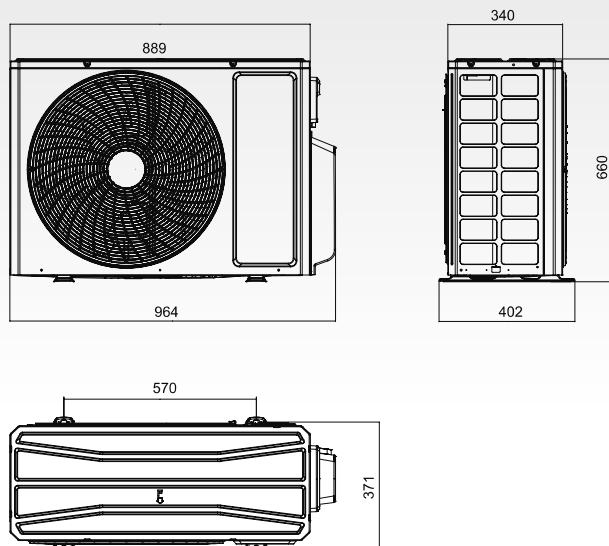
Explanatory notes on the very last page of the catalogue.

May not be used separately, must be combined with indoor units from Multi Variable (MV) series.

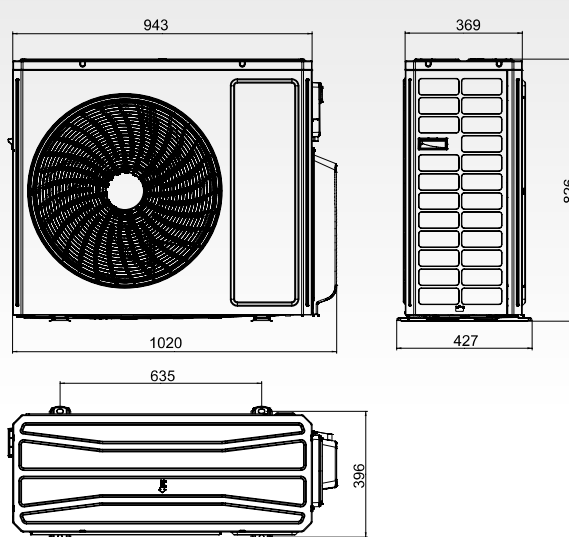
* Cross-section of each wire must correspond to the IEC 60364

APPEARANCE AND DIMENSIONS OF INDOOR UNIT

MV-E28BI2



MV-E36BI2, MV-E42BI2



units: mm