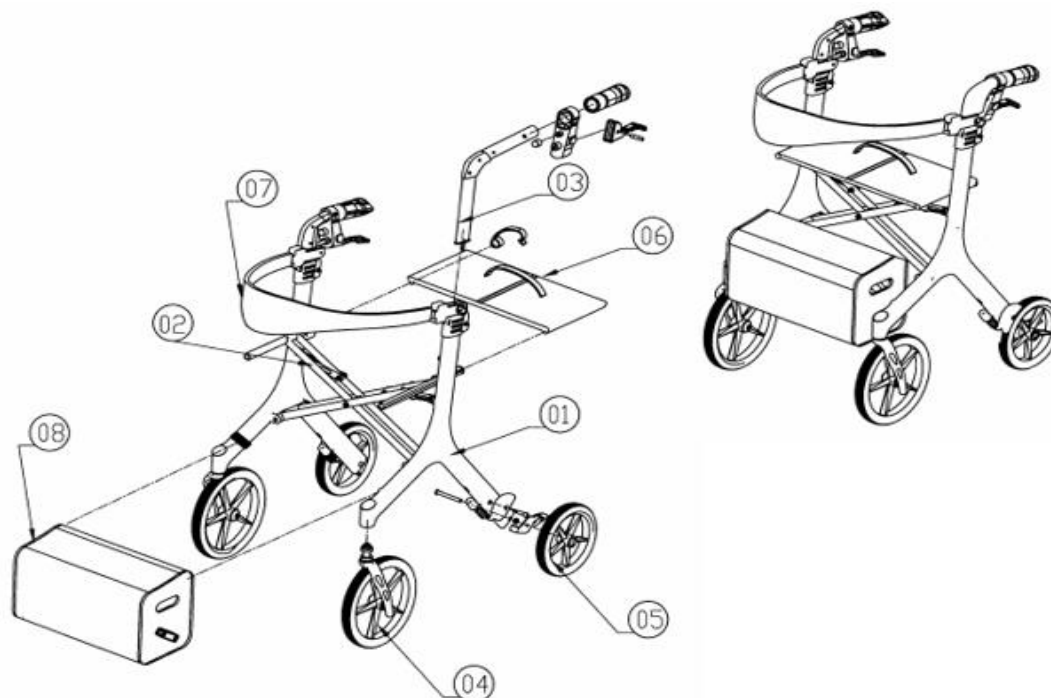


## CE-D09 Spare parts list



Identification number: TCF-VOMNL -2410-14B  
 Product group: Walking Aid  
 Productname: Excel Carbon  
 Batchnumber: 3910

### Complete



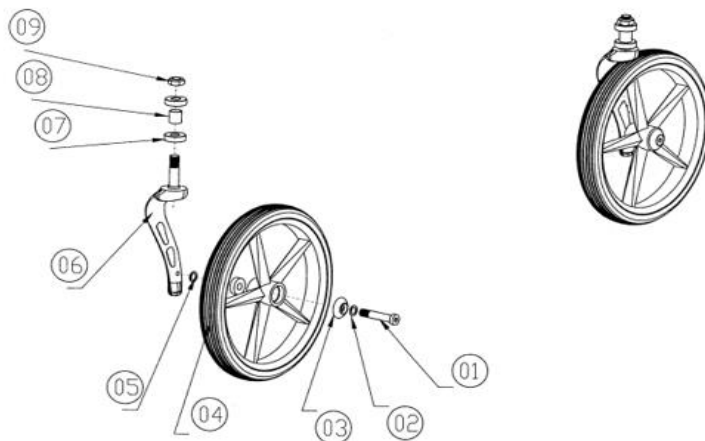
Drawing No.	Item No.	Description	Purchase Price
1	CA102-L	Main frame (middle size) Left	€ 260,00
1	CA102-R	Main frame (middel size) Right	€ 260,00
2	CA070-LR	Cross frame	€ 96,00
3	CA120-L	Push handle (middle size 182mm) Left	€ 56,00
3	CA120-R	Push handle (middle size 182mm) Right	€ 56,00
3-1	92417210	Hand grip per piece	€ 7,20
4	GA06-014	Front wheel 9.5"	€ 39,20
5	GA05-017	Rear wheel 8"	€ 27,20
6	DA01-093	Seat cushion	€ 60,00
7	DF05-038	Back strap	€ 39,20
8	DF05-040	Bag M, Front	€ 48,00
-	DF05-041	Bag S, Front	€ 55,20

## CE-D09 Spare parts list



Identification number: TCF-VOMNL -2410-14B  
 Product group: Walking Aid  
 Productname: Excel Carbon  
 Batchnumber: 3910

### Wheel assembly



### Wheel assembly

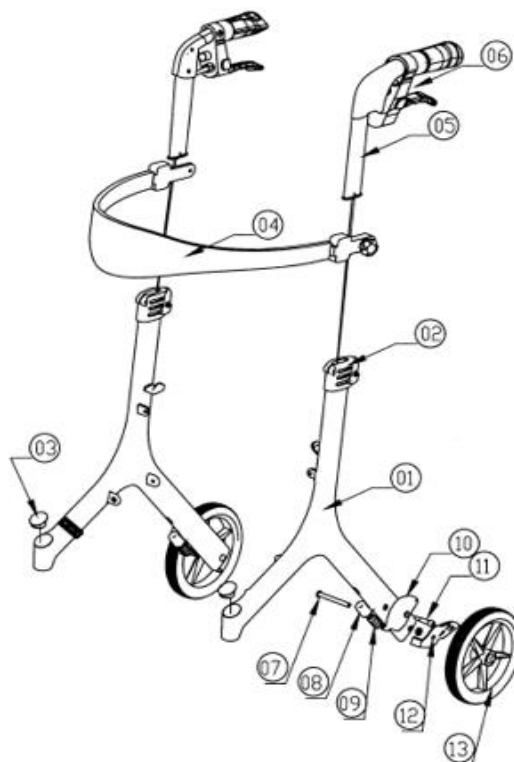
Drawing No.	Item No.	Description	Purchase Price
1-3	AIVAN210604001-L	Screw, washer and cover for wheel Left side	€ 9,20
1-3	AIVAN210604001-R	Screw, washer and cover for wheel Right side	€ 9,20
1-3, 6	AIVAN200916011-L	Front fork Left + assembly	€ 44,40
1-3, 6	AIVAN200916011-R	Front fork Right + assembly	€ 44,40
4	GA06-014	Front wheel 9,5 "	€ 39,20
7-9	200916001-L	Bearing house for front wheel Left	€ 6,80
	200916001-R	Bearing house for front wheel Right	€ 6,80

## CE-D09 Spare parts list



Identification number: TCF-VOMNL -2410-14B  
 Product group: Walking Aid  
 Productname: Excel Carbon  
 Batchnumber: 3910

### Side frame assembly



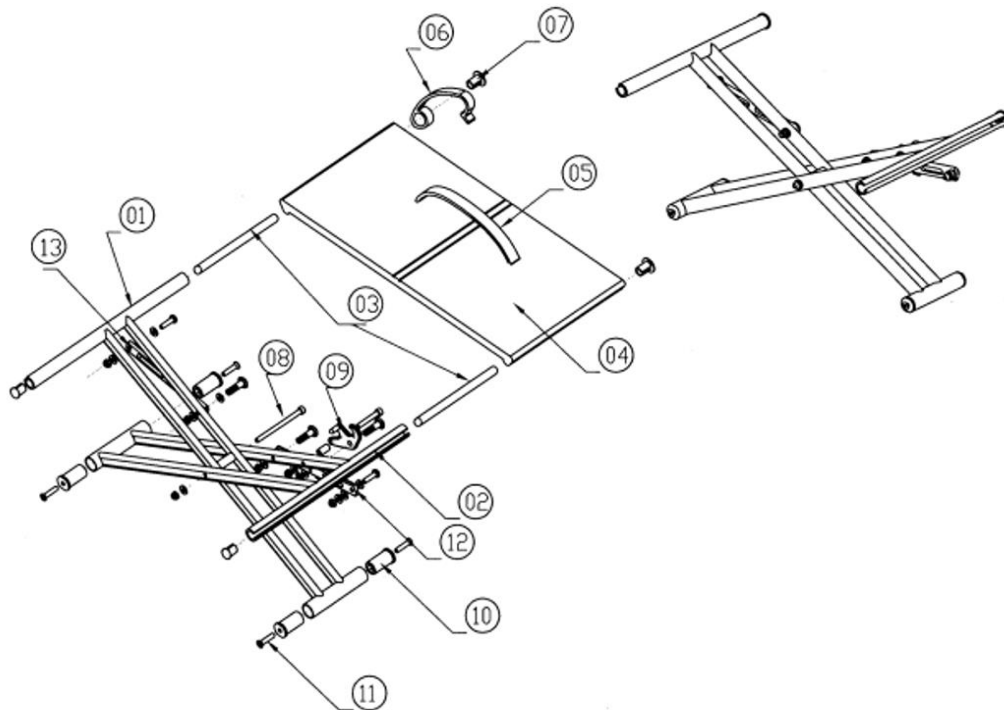
Drawing No.	Item No.	Description	Purchase Price
1	CA102-L	Main frame (middle size) Left	€ 260,00
1	CA102-R	Main frame (middel size) Right	€ 260,00
2	CA034-4L	Base of the push handle Left	€ 11,20
	CA034-4R	Base of the push handle Right	€ 11,20
3	92417036	Dust cover cap	€ 4,32
4	DF05-038	Back strap	€ 39,20
5	CA120-L	Push handle (middle size 182mm) Left	€ 56,00
	CA120-R	Push handle (middle size 182mm) Right	€ 56,00
6	AT647	Brake lever	€ 6,00
7	LA09-084	Arc-shaped crew	€ 1,00
8	RA180-4	Rotary knob, star shaped (Long)	€ 2,00
9	RA171	Cover of the spring	€ 2,00
10	RA170-1L	Plastic bracket of the brake Left	€ 7,20
	RA170-1R	Plastic bracket of the brake Right	€ 7,20
11	-	Not available as spare part	-
12	AH364-4LR	Stepper (pair)	€ 30,40
13	GA05-017	Rear wheel 8"	€ 27,20

## CE-D09 Spare parts list



Identification number: TCF-VOMNL -2410-14B  
 Product group: Walking Aid  
 Productname: Excel Carbon  
 Batchnumber: 3910

### Seat and crossframe



Drawing No.	Item No.	Description	Purchase Price
1 + 2	CA070-LR	Cross frame	€ 96,00
4	DA01-093	Seat cushion	€ 60,00
5	DF03-012	Release strap	€ 15,20
6	92419100	Transport locking lever	€ 11,67
7	92419005	Cover caps for crossbar incl. screws, set of 4	€ 10,00
8	-	Not available as spare part	-
9	92419500	Parking lock	€ 11,67
10 to 13	-	Not available as spare part	-