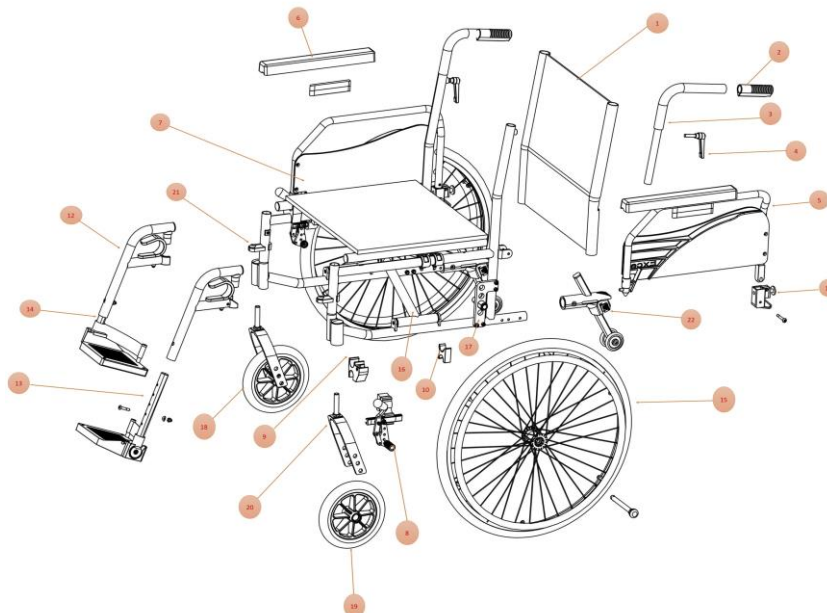


## CE-D09 Spare parts list



Identification number: TCF-VOMNL -0216F  
 Product group: Manual wheelchair  
 Productname: G-Eco+  
 Batchnumber:

### Complete



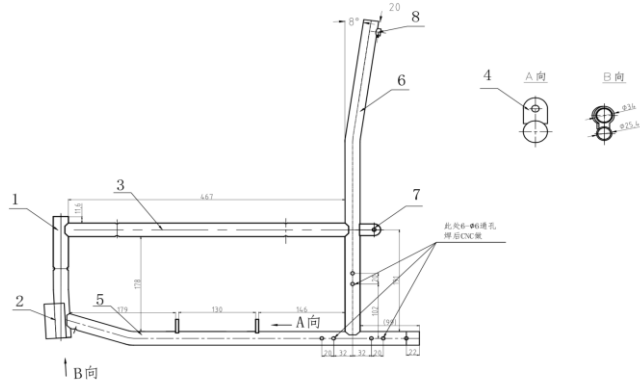
Drawing No.	Item No.	Description	Purchase Price
1	52163145	Back Upholstery 45CM	€ 34,94
	52163150	Back Upholstery 50CM	€ 34,94
2	12168100	Hand grip	€ 2,62
3	12168110	Pushhandle, incl. Handgrip	€ 17,47
4	12161016	Locking lever for pushhandle	€ 8,74
5	32160200	Armrest complete assy (pair)	€ 78,62
6	32160110	PU-Armpad, including spacers and screws	€ 34,94
7	52161045	Seat Upholstery 45, incl. Screws	€ 39,31
	52161050	Seat Upholstery 50CM, incl. Screws	€ 39,31
8	72160100	Brake Assembly (pair)	€ 61,15
9	12160450	Armrest Socket front, incl. screw (pair)	€ 8,74
10	12160265	Receiving block for the crossframe incl. mounting	€ 4,37
11	12160350	Armrest Socket rear, incl. screw (pair)	€ 8,74
12	62161145	Footrest assembly sw 45 cm (pair)	€ 96,10
	62161150	Footrest assembly sw 50 cm (pair)	€ 96,10
13	62164145	Legrest lower part assy 45cm (pair)	€ 52,42
	62164150	Legrest lower part assy 50cm (pair)	€ 52,42
14	62165050	Heel Loop, incl. Mounting screw	€ 1,75
15	42162418	Real Wheel (complete unit)	€ 113,57
16	22164145	Crossbar complete assy 45cm, incl. all component parts and screws (set)	€ 69,89
	22164150	Crossbar complete assy 50cm, incl. all component parts and screws (set)	€ 96,10
17	12162105	Rear wheel adapter complete assy, R/L, incl. Screws,	€ 26,21
18	82160100	Front swivel wheel 8" x 1 1/4" PU incl. front fork	€ 39,31
19	82160110	Front wheel 8" x 1 1/4" PU (standard)	€ 30,58
	82160120	Front wheel 6" PU (option)	€ 43,68
20	82160090	Front fork with the bolt	€ 13,10
21	12162000	Footrest locking mechanism	€ 4,37
22	92000015	Anti-tippers (pair)	€ 125,58

## CE-D09 Spare parts list



Identification number: TCF-VOMNL -0216F  
 Product group: Manual wheelchair  
 Productname: G-Eco+  
 Batchnumber:

### Side frame



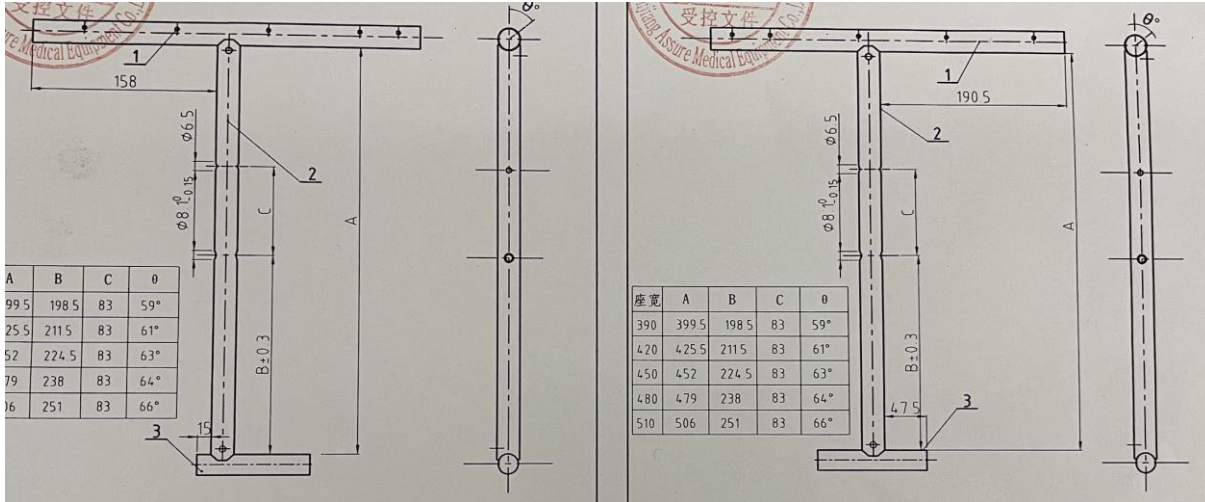
Drawing No.	Item No.	Description	Purchase Price
	12161345	Sideframe G-Eco+ complete, left	€ 149,21
	12161350	Sideframe G-Eco+ complete, right	€ 149,21

## CE-D09 Spare parts list



Identification number: TCF-VOMNL -0216F  
 Product group: Manual wheelchair  
 Productname: G-Eco+  
 Batchnumber:

### Cross frame



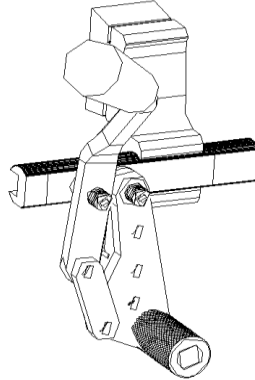
Drawing No.	Item No.	Description	Purchase Price
	22164145	Crossbar complete assy SW 45, incl. all component parts and screws, for G-Eco+	€ 69,89
	22164150	Crossbar complete assy SW 50, incl. all component parts and screws, for G-Eco+	€ 96,10

## CE-D09 Spare parts list



Identification number: TCF-VOMNL -0216F  
Product group: Manual wheelchair  
Productname: G-Eco+  
Batchnumber:

### Brake complete



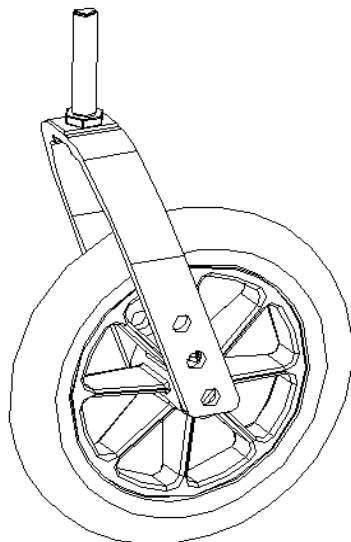
Drawing No.	Item No.	Description	Purchase Price
	72160100	Brake Assembly (pair)	€ 61,15

## CE-D09 Spare parts list



Identification number: TCF-VOMNL -0216F  
Product group: Manual wheelchair  
Productname: G-Eco+  
Batchnumber:

### Front fork with front wheel



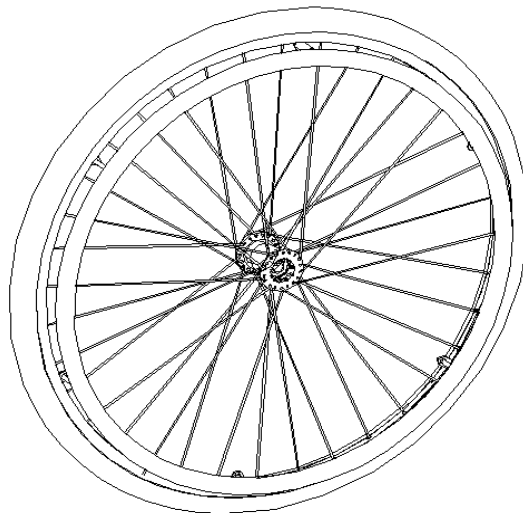
Drawing No.	Item No.	Description	Purchase Price
	82160100	Front swivel wheel 8" x 1 1/4" PU incl. front fork	€ 39,31
	82160090	Front fork with the bolt	€ 13,10
	82160110	Front wheel 8" x 1 1/4" PU (standard)	€ 30,58
	82162100	Bearing set	€ 11,94
	82162105	Cover cap for front fork	€ 7,16

## CE-D09 Spare parts list



Identification number: TCF-VOMNL -0216F  
Product group: Manual wheelchair  
Productname: G-Eco+  
Batchnumber:

### Rear wheel



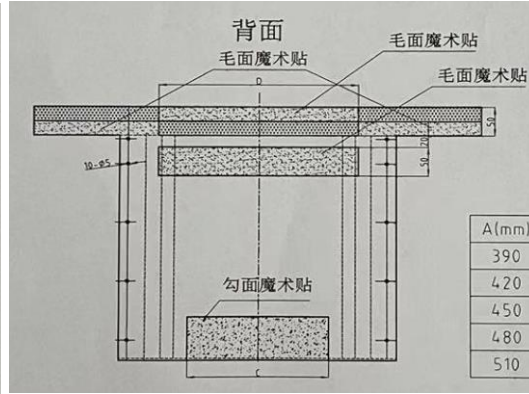
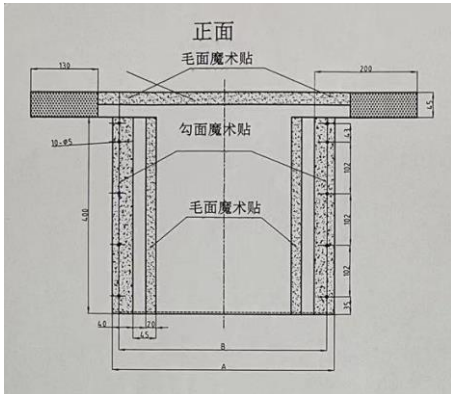
Drawing No.	Item No.	Description	Purchase Price
	42162418	Real Wheel (complete unit)	€ 113,57
	41161000	Quick release axle	€ 14,99
	40216161	Handrim distance bushes	€ 6,40
	40216162	Reflector (set of 2)	€ 4,77

## CE-D09 Spare parts list



Identification number: TCF-VOMNL -0216F  
 Product group: Manual wheelchair  
 Productname: G-Eco+  
 Batchnumber:

### Seat- and back upholstery



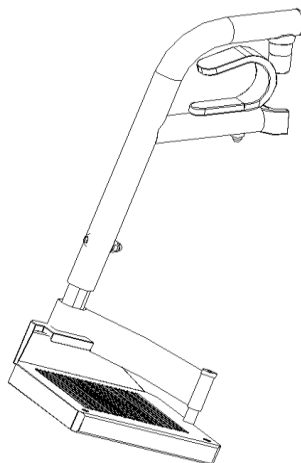
Drawing No.	Item No.	Description	Purchase Price
	52163145	Back Upholstery 45CM	€ 34,94
	52163150	Back Upholstery 50CM	€ 34,94
	52161045	Seat Upholstery 45, incl. Screws	€ 39,31
	52161050	Seat Upholstery 50CM, incl. Screws	€ 39,31

## CE-D09 Spare parts list



Identification number: TCF-VOMNL -0216F  
 Product group: Manual wheelchair  
 Productname: G-Eco+  
 Batchnumber:

### Footrest



Drawing No.	Item No.	Description	Purchase Price
	62161145	Footrest assembly sw 45 cm (pair)	€ 96,10
	62161150	Footrest assembly sw 50 cm (pair)	€ 96,10
	62164252	Revision set for footrest Left	€ 33,29
	62164257	Revision set for footrest Right	€ 33,29
	62165050	Heel Loop, incl. Mounting screw	€ 1,75
	62167020	Elevating legrest 45/50 cm Left	€ 139,78
	62167030	Elevating legrest 45/50 cm Right	€ 139,78

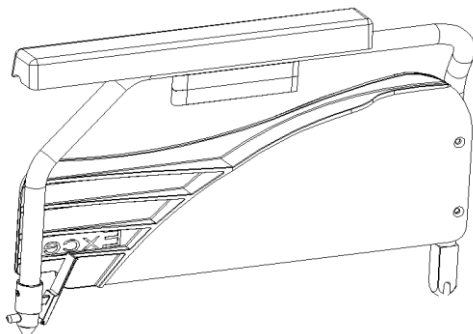


## CE-D09 Spare parts list



Identification number: TCF-VOMNL -0216F  
Product group: Manual wheelchair  
Productname: G-Eco+  
Batchnumber:

### Armrest



Drawing No.	Item No.	Description	Purchase Price
	32160200	Armrest complete assy (pair)	€ 78,62
	32160110	PU-Armpad, including spacers and screws	€ 34,94
	32160210	Side panel Left/Right	€ 17,91
	12160350	Armrest Socket rear, incl. screw (pair)	€ 8,74