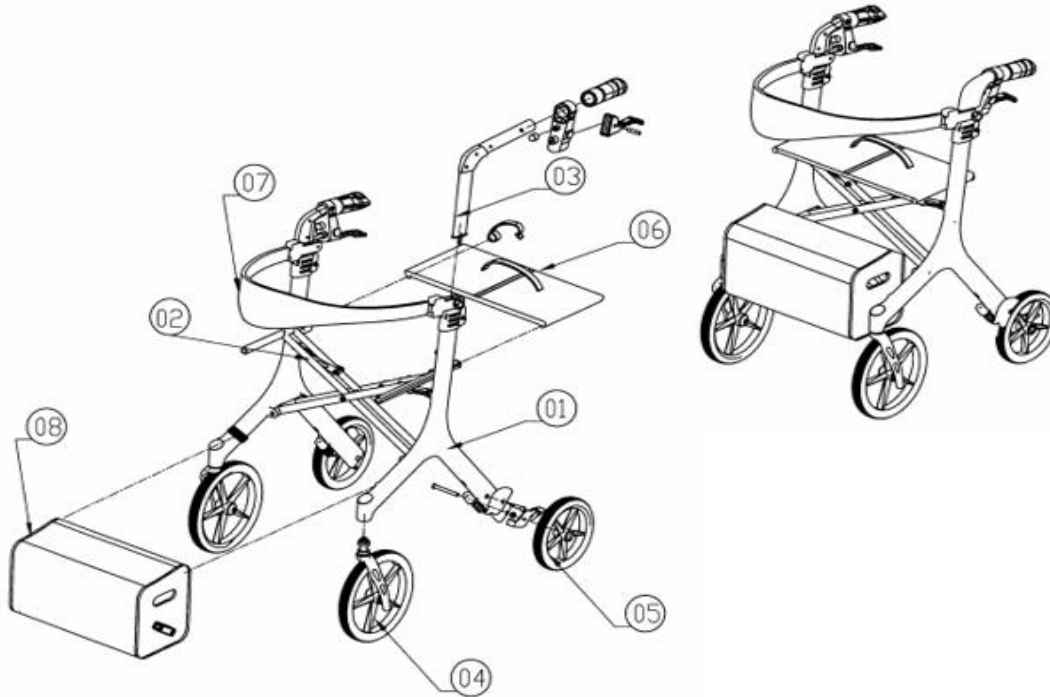


CE-D09 Spare parts list



Identification number: TCF-VOMNL -2410-14B
 Product group: Walking Aid
 Productname: Excel Carbon
 Batchnumber: 3910

Complete



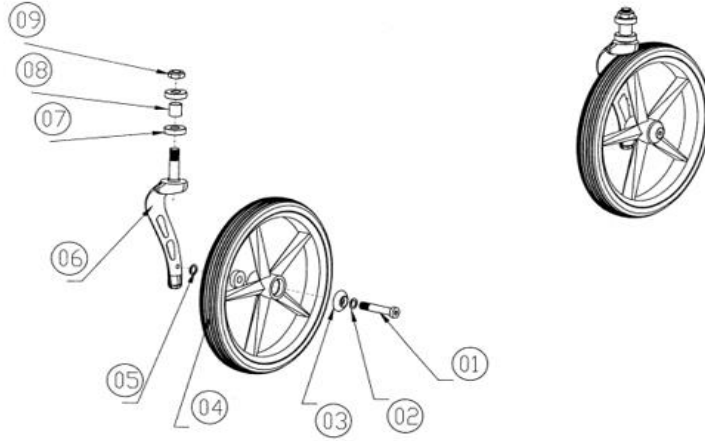
Drawing No.	Item No.	Description	Purchase Price
1	CA102-L	Main frame (middle size) Left	
1	CA102-R	Main frame (middle size) Right	
2	CA070-LR	Cross frame	
3	CA120-L	Push handle (middle size 182mm) Left	
3	CA120-R	Push handle (middle size 182mm) Right	
3-1	92417210	Hand grip per piece	
4	GA06-014	Front wheel 9.5"	
5	GA05-017	Rear wheel 8"	
6	DA01-093	Seat cushion	
7	DF05-038	Back strap	
8	DF05-040	Bag M, Front	
-	DF05-041	Bag S, Front	

CE-D09 Spare parts list



Identification number: TCF-VOMNL -2410-14B
 Product group: Walking Aid
 Productname: Excel Carbon
 Batchnumber: 3910

Wheel assembly



Wheel assembly

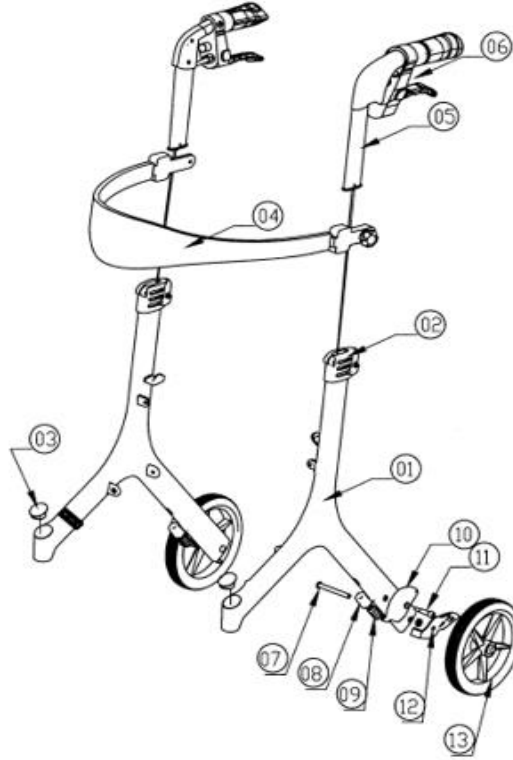
Drawing No.	Item No.	Description	Purchase Price
1-3	AIVAN210604001-L	Screw, washer and cover for wheel Left side	
1-3	AIVAN210604001-R	Screw, washer and cover for wheel Right side	
1-3, 6	AIVAN200916011-L	Front fork Left + assembly	
1-3, 6	AIVAN200916011-R	Front fork Right + assembly	
4	GA06-014	Front wheel 9,5 "	
7-9	200916001-L	Bearing house for front wheel Left	
	200916001-R	Bearing house for front wheel Right	

CE-D09 Spare parts list



Identification number: TCF-VOMNL -2410-14B
 Product group: Walking Aid
 Productname: Excel Carbon
 Batchnumber: 3910

Side frame assembly



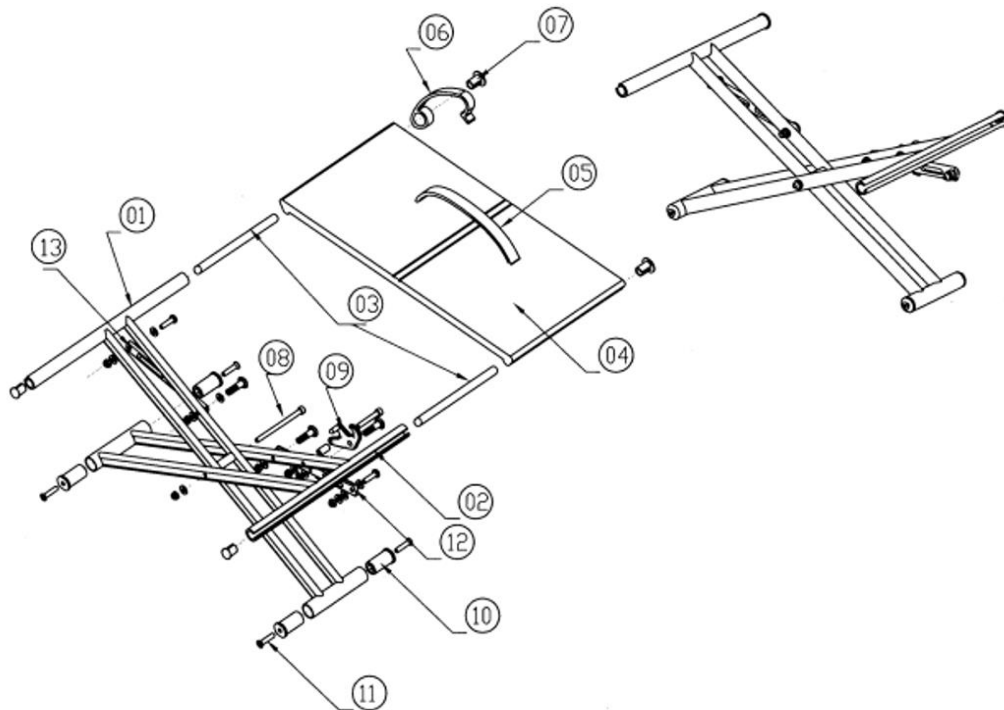
Drawing No.	Item No.	Description	Purchase Price
1	CA102-L	Main frame (middle size) Left	
1	CA102-R	Main frame (middel size) Right	
2	CA034-4L	Base of the push handle Left	
	CA034-4R	Base of the push handle Right	
3	92417036	Dust cover cap	
4	DF05-038	Back strap	
5	CA120-L	Push handle (middle size 182mm) Left	
	CA120-R	Push handle (middle size 182mm) Right	
6	AT647-L	Brake lever Left	
	AT647-R	Brake lever Right	
7	LA09-084	Arc-shaped crew	
8	RA180-4	Rotary knob, star shaped (Long)	
9	RA171	Cover of the spring	
10	RA170-1L	Plastic bracket of the brake Left	
	RA170-1R	Plastic bracket of the brake Right	
11	-	Not available as spare part	
12	AH364-4LR	Stepper (pair)	
13	GA05-017	Rear wheel 8"	

CE-D09 Spare parts list



Identification number: TCF-VOMNL -2410-14B
 Product group: Walking Aid
 Productname: Excel Carbon
 Batchnumber: 3910

Seat and crossframe



Drawing No.	Item No.	Description	Purchase Price
1 + 2	CA070-LR	Cross frame	
4	DA01-093	Seat cushion	
5	DF03-012	Release strap	
6	92419100	Transport locking lever	
7	92419005	Cover caps for crossbar incl. screws, set of 4	
8	-	Not available as spare part	
9	92419500	Parking lock	
10 to 13	-	Not available as spare part	