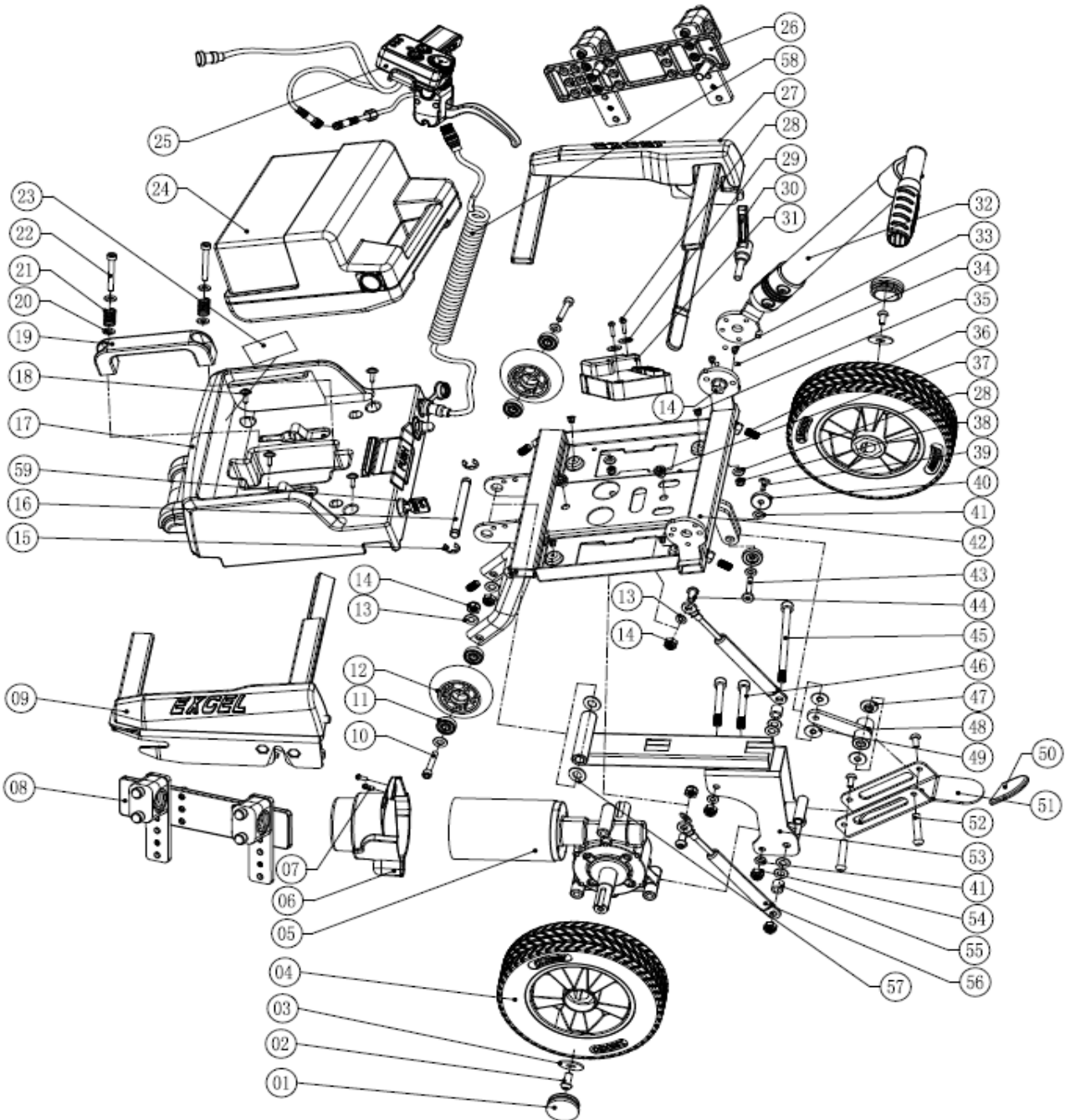


CE-D09 Spare parts list



Identification number: TCF-VOMNL- 0810-02B
Product group: Power pack
Productname: Click & go Compact II
Batchnumber:

Complete



CE-D09 Spare parts list



Identification number: TCF-VOMNL- 0810-02B
 Product group: Power pack
 Productname: Click & go Compact II
 Batchnumber:

Complete

Drawing No.	Item No.	Description	Purchase Price
01	ZA11P520	Cover cap for wheel (Grey)	
02 to 03	-	Not available as spare part	
04	ZA14A203	Driving wheel assembly(solid,8", Round)	
	ZA14A204	Driving wheel assembly(solid,8", Flat)	
05	RA10E104AK0	Transaxle assembly with motor and brake	
05-1	RA10A106AK0	Gearbox only(30:1)	
05-2	RA10A103AK0	Motor only(ZE-5065D24:250W)	
05-3	RA10A301BK0	EM Motorbrake(3NM)	
06	ZA14P510	Cover Cap Motorbrake	
07	-	Not available as spare part	
08	ZA14Z113	Mounting set incl. adaptionplate LEFT	
09	ZA14E105JK0	Width-adjustable mounting plates Left	
10 to 11	-	Not available as spare part	
12	3070503020	Anti-tip wheel(3")	
13 to 16	-	Not available as spare part	
17	ZA14E108	Battery receiver assembly	
	ZA14E109	Battery receiver assembly 2nd generation (round)	
17-1	SE06A628	Key switch	
17-2	ZA14F602	Circuit breaker 35A	
17-3	ZA14F615AK0	Round male connector to match the hand controller	
17-4	ZA14P501F3C	Battery box receiver plastic only(Grey)	
19 to 22	ZA14A501A00	Handle for battery box receiver	
24	93813120	Battery box assembly(without battery)(Blue)	
24-1	SE06A610	Charging port	
-	ZA11F601	Battery cable	
-	ZA11F602	Fuse holder	
-	93810321	Battery 12Ah/12V, closed, maintenance free, AGM	
-	93810350	Charger 2Ah/24V	
25	ZA14E114	Handle controller assembly with round connector(third generation)	
	ZA11E112	Handle controller assembly with square connector(first generation)	
	ZA14E113	Handle controller assembly with round connector(second generation)	
25-1	ZA11E120	Controll pannel(Grey)(third generation with round connector)	
	ZA11E110	Controll pannel (with square connector)	
25-2	ZA11P509	Controll pannel holder(Blue)	
25-3	ZA11P515	Mounting bracket set(Blue)	
25-4	ZA11E116	Throttle handle(Grey)(second generation with round connector)	
	ZA11E111	Throttle handle (Black)(with square connector)	
26	ZA14Z114	Mounting set incl. adaptionplate Right	
27	ZA14E106JK0	Width-adjustable mounting plates Right	
30	311120802B	Height adjustment lever	
31	3051600010	Controller(PG S-45A)	
32	ZA14E111-4	Releasebar (fourth generation)	
42	ZA14A101KGO	Main frame	
50	ZA14P508	Lock bracket cover(Green)	
51 to 55	-	Not available as spare part	
56	93810700	Gas spring	
58	ZA14F610	Spiral adapter wire with round connector	
	ZA14F605	Spiral adapter wire with square connector	
	ZA14F604	Cable between controller and spiral cable (square)	
	ZA14F607	Cable between controller and spiral cable (round)	
59	99311060	Key set(a pair)	
-	ZA14F601	Cable for connecting key switch	
-	ZA14F603	Cable for slide in batterybox	